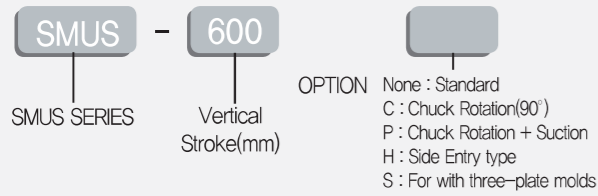


Model Series

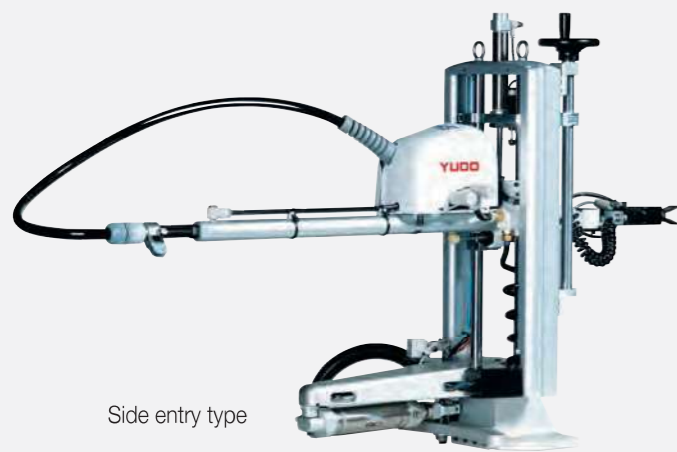


| Model | Injection pressure range (ton) |
|----------|--------------------------------|
| SMUS-300 | ~ 30 |
| SMUS-450 | 30 ~ 80 |
| SMUS-600 | 80 ~ 160 |
| SMUS-800 | 150 ~ 220 |



For two-plate molds

For with three-plate molds



Side entry type

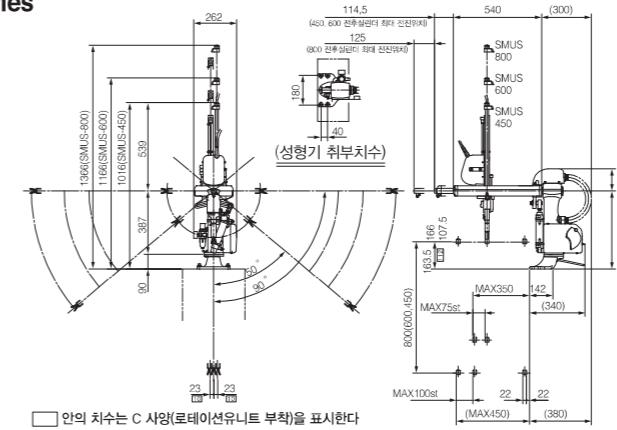


Robot for under 30 ton of IMM

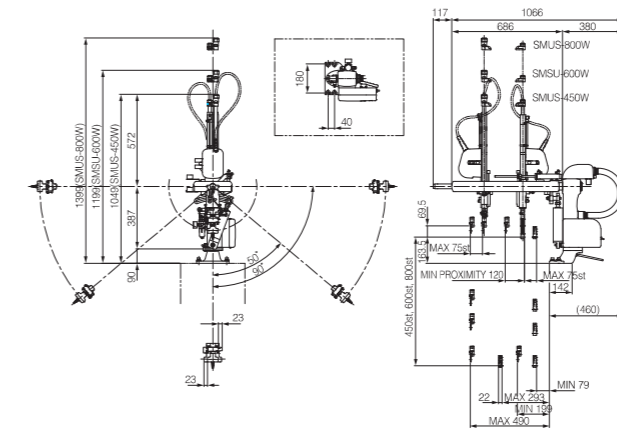
| Model | Crosswise (X-axis) | | Swing (°) | Air consumption (Nℓ/Cycle) | Power consumption (KVA) | Payload (Kg) |
|----------------------|--------------------|-------------------------------|-----------|----------------------------|-------------------------|--------------|
| | Stroke (mm) | Vertical (Y-axis) Stroke (mm) | | | | |
| SMUS-300 | 25 | 300 | 50 ~ 90 | - | 0.05 | 2 |
| SMUS-450(C)(P)(S)(H) | 75 | 450 | 50 ~ 90 | 7.4 | 0.05 | 2 |
| SMUS-600(C)(P)(S)(H) | 75 | 600 | 50 ~ 90 | 9.0 | 0.05 | 2 |
| SMUS-800(C)(P)(S)(H) | 100 | 800 | 50 ~ 90 | 10.8 | 0.05 | 2 |

※ Please contact us for further details

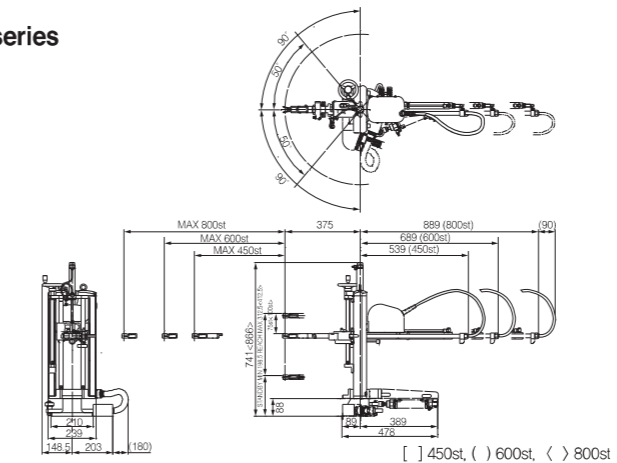
* SMUS series



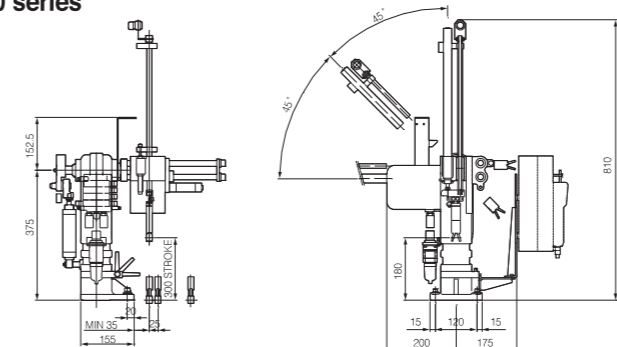
* SMUS-S series



* SMUS-H series



* SMUS-300 series



- ▶ I.M.M (ton) ~ 220 (Horizontal I.M.M)
- ▶ Vertical (mm) 300 / 450 / 600 / 800
- ▶ Crosswise (mm) 25 / 75 / 100
- ▶ Swing (°) 50 ~ 90
- ▶ Driving method Air Cylinder
- ▶ Air pressure 0.5MPa (5kgf/cm²)
- ▶ Payload (Kg) 2 (Including weight of chuck unit)
- ▶ Power source AC 220V, 50/60 Hz

STEC-K4 Controller

- Preferred languages : 3 languages support (Standard-Korean, English)



YUCON-K5 Controller

- 320 x 240 high-resolution Color TFT LCD (65,536 Color)
- Preferred languages : 4 languages support (standard : Korean/English, Option : 2 languages)
- * Among 20 Unicode support languages
- Compatible with EUROMAP 12 and 67

