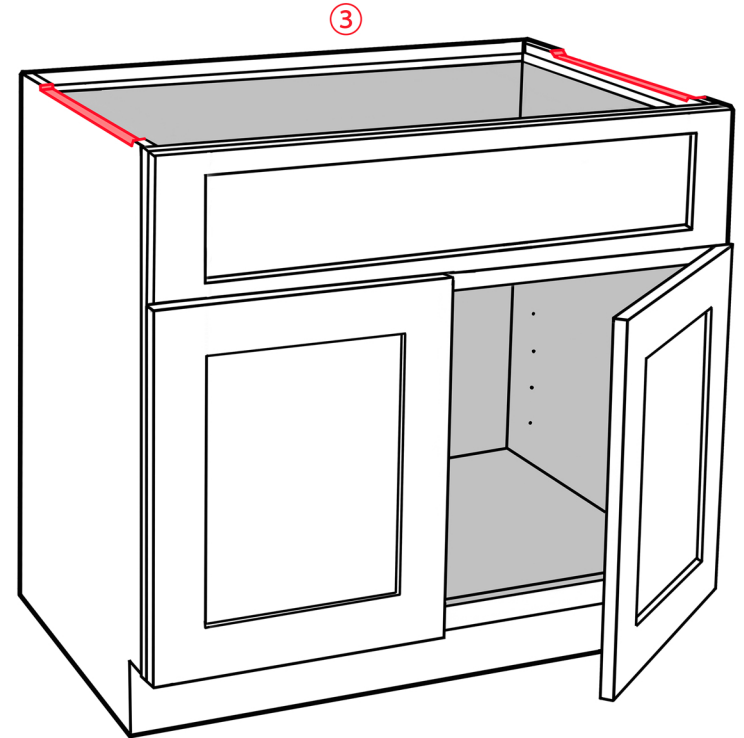
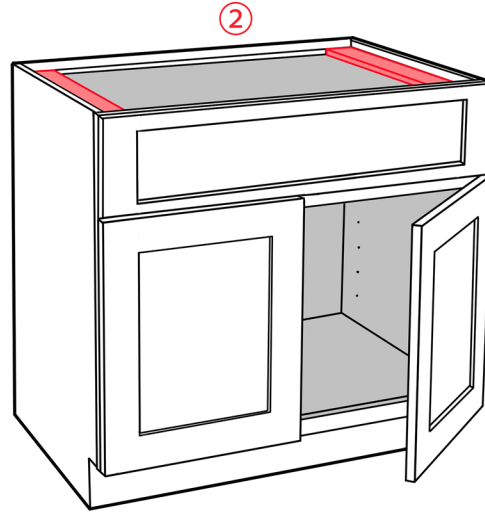
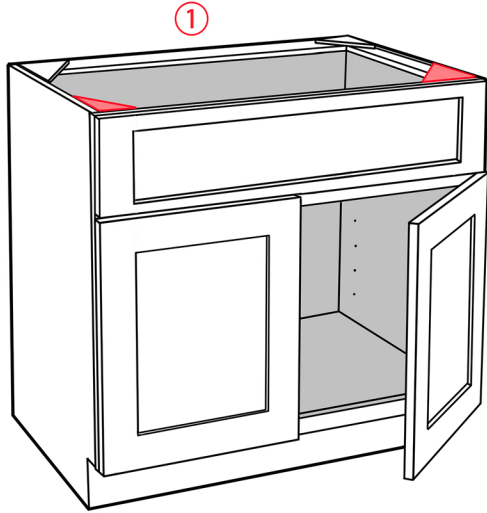


UNDERMOUNT SINK CABINET GUIDE

1



FIRST, DEPENDING ON YOUR CABINET DESIGN YOU'LL NEED TO REMOVE EITHER THE FORWARD **CORNER GUSSETS** ① OR LEFT AND RIGHT **SIDE SUPPORTS** ② FROM THE TOP OF YOUR CABINET OPENING. THIS WILL ALLOW THE SPACE NEEDED FOR YOUR SINK BOWL TO INSTALL SMOOTHLY AND WITHOUT OBSTRUCTION.

PLEASE NOTE: THIS IS ONE OF MANY CORRECT WAYS TO INSTALL OUR UNDER MOUNT SINKS. OCCASIONALLY COUNTER TOP SUPPLIERS WILL SUPPLY CLIPS AND ATTACH THE SINK TO THE BOTTOM OF THE COUNTER TOP. THAT METHOD IS FINE. HOWEVER, SINKS SHOULD NEVER BE SUPPORTED FROM THE BOTTOM. ALL METAL UNDER MOUNT SINKS SHOULD BE SUPPORTED BY THE FLANGES ONLY.

FOR MORE INFO ON INSTALLATION, VISIT
[RACHIELE.COM/INSTALLATION-AND-CARE](https://rachiele.com/installation-and-care)

NEXT, FOR SINKS 42" AND UNDER OR WHEN USING THE SIDE OF THE CABINET AS THE ONLY SUPPORT FOR THE RIGHT AND LEFT FLANGE, THE AREA WHERE THE SINK WILL RESIDE NEEDS TO BE **ROUTED DOWN 1/16"** ③ SO THE SINK WILL BE FLUSH WITH THE TOP OF THE CABINET, ALLOWING THE COUNTER TOP TO REST SECURELY ON BOTH. IF YOUR SINK IS OVER 42", ADDITIONAL SUPPORT WILL BE NEEDED TO BE ADDED (SET DOWN 1/16" FROM THE TOP OF THE CABINET) TO SUPPORT TO FRONT AND REAR FLANGES.