

WICKETTS-BRITEX BLOWOUT JET-FLOOR MOUNT TOILET



features and benefits

- 14-gauge type 304 stainless steel
- Seamlessly welded
- Satin finished surfaces
- Ultra vandal resistant
- Safety radius front edge contour pan
- Free of ligature points
- Anti-Ligature Skirt
- Contraband-proof flushing rim
- Unique blockage resistant trap
- Option for permanently sealed access panels (maximum security projects)
- Available in White Powder Coat Finish
- Suits detention facilities and public amenities

about

WICKETTS-BRITEX BLOWOUT-JET FLOOR MOUNT TOILET is seamless, fully shrouded and manufactured from heavy gauge grade 304 satin S.S. making it easy to clean and providing optimal strength. Incorporating radius edges for added safety, anti ligature skirt, pressed internal bowl and unique trap design, the Grandeur pan is extremely water efficient much less susceptible to costly blockages in public amenities. Additionally, it incorporates a contraband-proof flushing rim and is free of ligature points making it ideal for installing in correctional facilities and holding cells. Supplied without access panels for maximum security, but are available if required.

sample spec. text

WICKETTS-BRITEX BLOWOUT-JET FLOOR MOUNT TOILET - P Trap, safety radius front edge, anti ligature skirt, fully shrouded to rear wall with optional access panels - Product Code US-PG

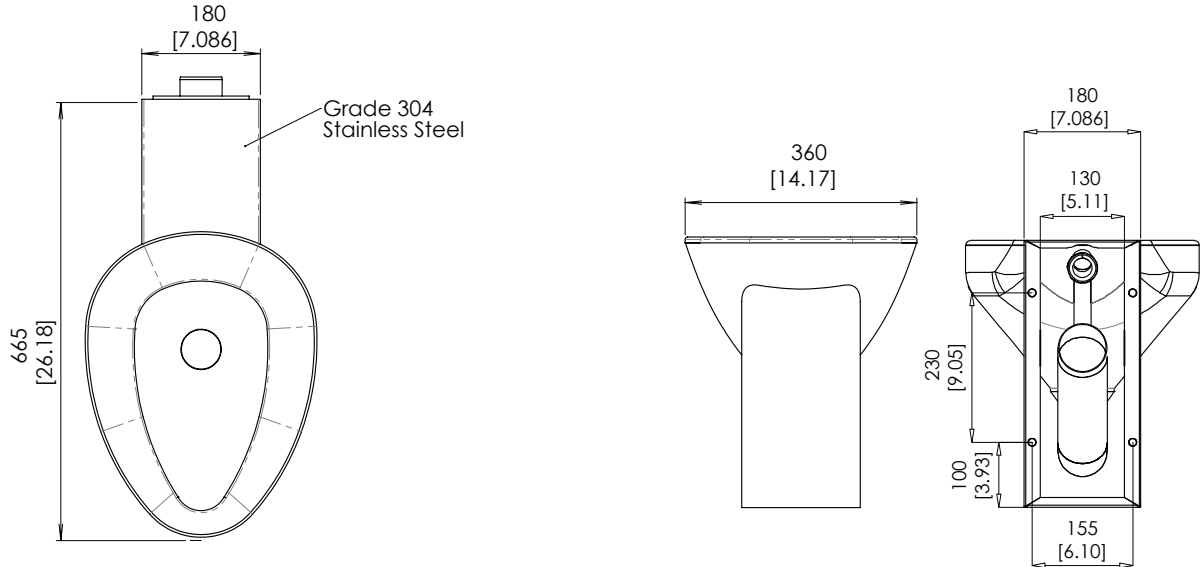


WICKETTS-BRITEX BLOWOUT-JET FLOOR MOUNT TOILET

PRODUCT CODE

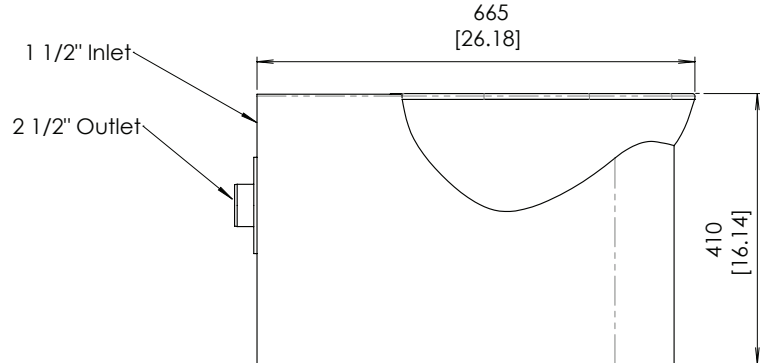
US-PG

TOILETS



MODEL US-PG Plan

MODEL US-PG Front and Rear Elevation



MODEL US-PG Side Elevation



- Product **Name** and **Code**
- Product **Dimensions**
- Product **Features / Options**
- **P Trap Only**



- Optional Access Panels if required
- Optional White Powder Coat Finish

#US-PG / BLOWOUT-JET FLOOR MOUNT TOILET

