

WICKETTS-BRITEX ACCESSIBLE TOILET

2.05

WC-TOILETS

#US-PCD / WICKETTS-BRITEX ACCESSIBLE TOILET



features and benefits

- Available with S or P trap
- Concealed fixings
- Unique blockage resistant trap
- Safety radius front edges
- Left and right access panels
- Free of ligature points
- Option for permanently sealed access panels (maximum security projects)
- Suits detention facilities and public amenities

about

The WICKETTS-BRITEX ACCESSIBLE TOILET is fully shrouded and manufactured from heavy gauge grade 304 satin S.S. making it easy to clean and providing optimal strength. Incorporating radius edges for added safety, a pressed internal bowl and unique trap design, the Centurion Disabled pan is extremely water efficient and much less susceptible to costly blockages in public amenities. Access panels come standard on both sides of the pan for easy installation and a toilet seat can be fitted if required. Britex toilet pans are identified as dual flush "High efficiency water closets" certified with a universal, water consumption dependent on applicable regional regulations. The minimum static water pressure required for operation is 20 Psi (140 kPa) with a maximum static water pressure of 80 Psi (550 kPa). Flushing device should be of an approved capacity and in accordance with local authority requirements.

sample spec. text

WICKETTS-BRITEX ACCESSIBLE TOILET - S/P Trap, 0.5"[14] safety radius front edge, fully shrouded to rear wall and 2 x access panels.- Product Code US-PCDX



WICKETTS-BRITEX ACCESSIBLE TOILET

PRODUCT CODE

US-PCDS S Trap Model

US-PCDP P Trap Model

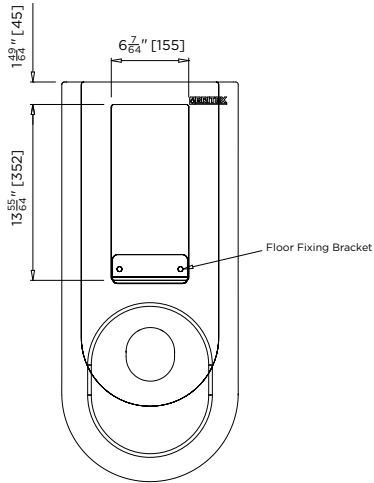
MAXIMUM SECURITY MODEL AVAILABLE

Add '-MS' to the end of the above product codes to specify a maximum security, rear access only model supplied with permanently sealed side access panels.

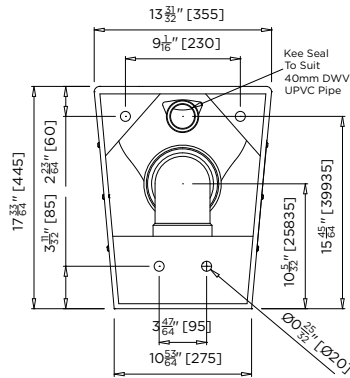
2.05

WC-TOILETS

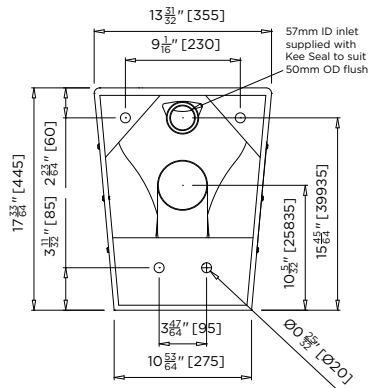
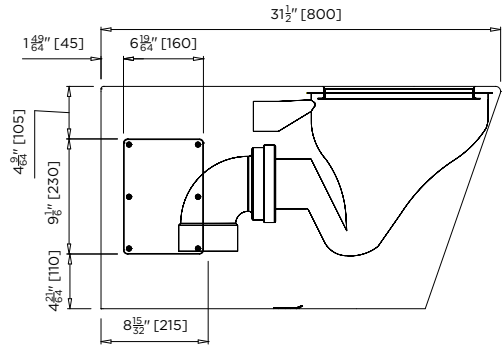
#US-PCD / ACCESSIBLE TOILET



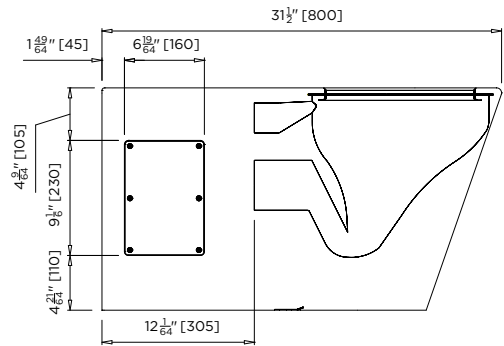
MODEL US-PCDS / P Plan



MODEL US-PCDS Side and Rear Elevation



MODEL US-PCDP Side and Rear Elevation



When specifying this product please include:

- Product Name and Code
- Product Dimensions
- Product Features / Options
- P or S Trap

specifying guide

options

- S or P trap configurations
- Top entry to suit wall mount cistern
- Permanently sealed access panels for maximum security projects

