

# WICKETTS-BRITEX - TOP SUPPLY URINAL



## features and benefits

- Made from satin stainless steel
- Robust construction
- Budget model
- Top water entry
- Quick and easy to install
- Compatible with wall mounted cisterns
- Suited to pubs, clubs and public amenities

## about

The *BRITEX Wall Hung Urinal Stall* is designed for commercial or industrial applications that may be prone to vandalism. The one piece design makes this urinal suitable for areas where minimal maintenance is required.

## sample spec. text

WICKETTS-BRITEX TOP SUPPLY URINAL - 360 x 405 x 415mm Long - Product Code US-UWHU

# TOP SUPPLY URINAL

PRODUCT CODE

## US-UWHU

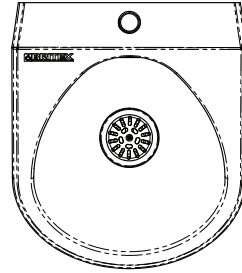
### Suggested Mounting Heights:

Dimension from finished floor to front edge/rim of urinal

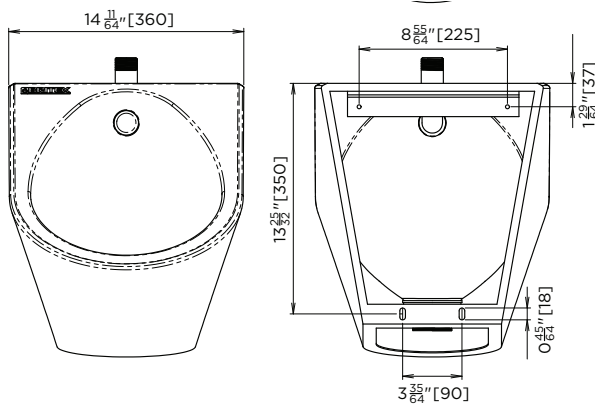
Adults - 610 mm

Juniors - 510 mm

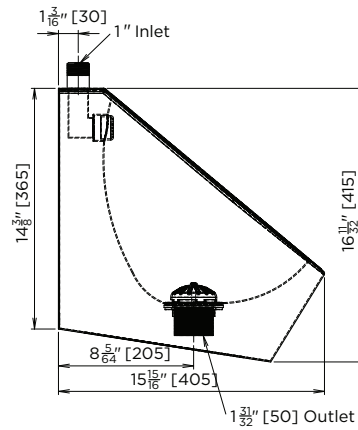
NB: Heights are suggestions only, subject to suitability of users for each individual project.



MODEL US-UWHU Plan



MODEL US-UWHU Front and Rear Elevation



MODEL US-UWHU Section

**When specifying this product please include:**

- Product Name and Code
- Product Features
- Product Dimensions

specifying guide