

WICKETTS-BRITEX STAINLESS STEEL WALL BOX



features and benefits

- Standard and custom sizes available
- 18 gauge grade 304 satin stainless
- Stainless steel cover plate with piano hinges
- Seamless, hygienic design
- Lockable Cylinder Security Lock

about

WICKETTS-BRITEX STAINLESS STEEL WALL BOX is manufactured from 1.8 gauge 304 satin finish stainless steel and are available in both standard and custom sizes. These units are used to cover and conceal flush valves and are an ideal solution to not only provide a tidy enclosure for unsightly fixtures but to also prevent damages. These valve boxes come supplied with a lockable cylinder security lock and are ideal for secure/public areas prone to vandalism. Flush valves supplied by others.

sample spec. text

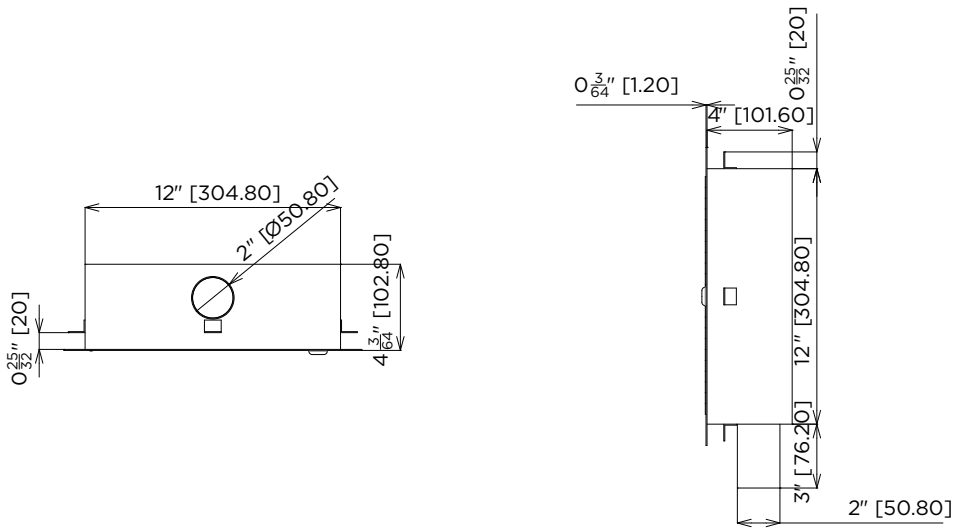
WICKETTS-BRITEX STAINLESS STEEL WALL BOX - 14"[355.60]mm x 14"[355.60]mm x 4"[101.60]. 18 gauge grade 304 satin stainless steel. Supplied complete with Cylinder Security Lock

*RED TEXT may denote a **variable** where one option only is to be selected, a **nominal dimension** that needs to be specified, or an **optional feature** that can be removed if not required. Please refer to the back of this page for additional specification details and options.

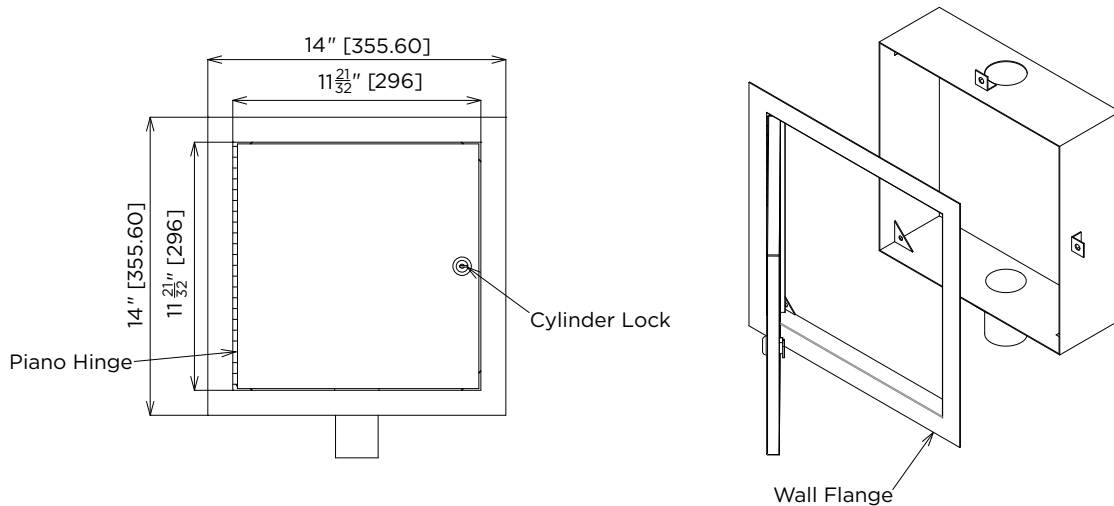
VISIT www.Wicketts-Britex.com

WICKETTS-BRITEX STAINLESS STEEL WALL BOX

STAINLESS STEEL WALL BOX



STAINLESS STEEL WALL BOX Plan & Section



STAINLESS STEEL WALL BOX- Front Elevation & Isometric View

When specifying this product please include:

- Product **Name** and **Code**
- Product **Features**
- Product **Dimensions**

specifying
guide

options

- With Integral Cone Tube : Model US-VBF-T
- Custom Sizes

VISIT www.Wicketts-Britex.com



STAINLESS STEEL WALL BOX