

WALL HUNG URINAL TROUGH



features and benefits

- WELS and WaterMark certified
- Left or Right hand 50mm outlet
- Standard and custom lengths
- Supplied with top or rear water inlet
- Quick and easy to install
- Suited to portable buildings and public amenities

about

The WICKETTS-BRITEX *Wall Hung Urinal Trough* is manufactured from 1.2mm heavy duty stainless steel and is ideal for site sheds, portable buildings and ablution blocks. Easy to install and compatible with assorted Britex flushing systems, the Britex Wall Hung Urinal Trough comes in both standard and custom sizes. WaterMark and WELS certified as required by plumbing regulations and government legislation.

sample spec. text

WICKETTS-BRITEX *Wall Hung Urinal Trough* - *XXXXmm* Long. WELS rating and WaterMark Level 1 certified. Radiused internal Corners. *Top/rear* water inlet and 50mm *left/right* hand waste outlet - Product Code *UTRO-XXXX-X-X*

*RED TEXT may denote a **variable** where one option only is to be selected, a **nominal dimension** that needs to be specified, or an **optional feature** that can be removed if not required. Please refer to the back of this page for additional specification details and options.

VISIT WWW.WICKETTS-BRITEX.COM

WALL HUNG URINAL TROUGH

PRODUCT CODE

UTRO

HOW TO SPECIFY: Wall Hung Urinal Trough

Sample Specification Code

A
B
C
D
UTRO - 1500 - R - T

= Wall Hung Urinal Trough, 1500mm Long, Right Hand Waste, Top Entry

Specification Key

A = Product Code	D = Water Entry Type
B = Urinal Length (mm)	T : Top Entry
C = Waste Outlet Position	R : Rear Entry
L : Left Hand Waste	
R : Right Hand Waste	

Water Inlets for Urinals:

One water inlet is required for every 2000mm of Urinal, or part thereof.

Standard Sizes:

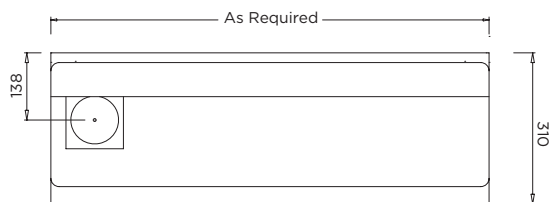
900, 1200, 1500, 1800, 2400mm

Suggested Mounting Heights:

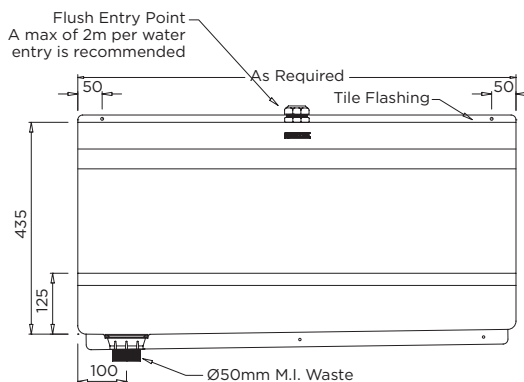
Dimension from finished floor to front edge/rim of urinal

Adults - 610 mm // Juniors - 510 mm

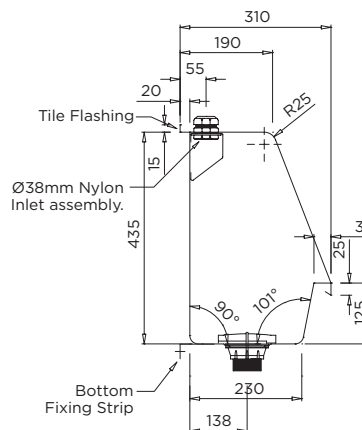
NB: Heights are suggestions only, subject to suitability of users for each individual project.



MODEL UTRO Plan



MODEL UTRO Front Elevation



Please note: Rear water entry assembly (where required) will extend past back of unit.

MODEL UTRO Section

When specifying this product please include:

- Product **Name** and **Code**
- Product **Length**
- Position of **Waste** (left or right)
- Top or rear **Water Entry**

specifying guide

options

- Top or rear water entry
- Outlet position - left or right
- Custom lengths
- Flushing system - see Flushing Section: 3
- Removable shroud to conceal waste connection

VISIT WWW.WICKETTS-BRITEX.COM

