



## BUCKET ELEVATORS

up to 7,500 CFH  
(212 CMH)  
/6,000 BPH

WHEN YOU HAVE  
A BIG JOB  
TO DO



EXCLUSIVE “EASY DUMP™” DESIGN  
(DD-2000ED only)

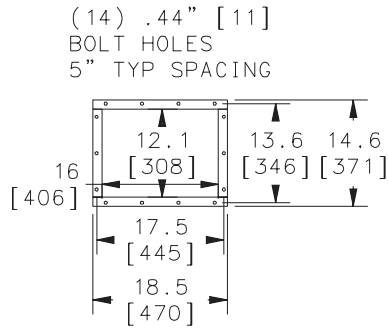
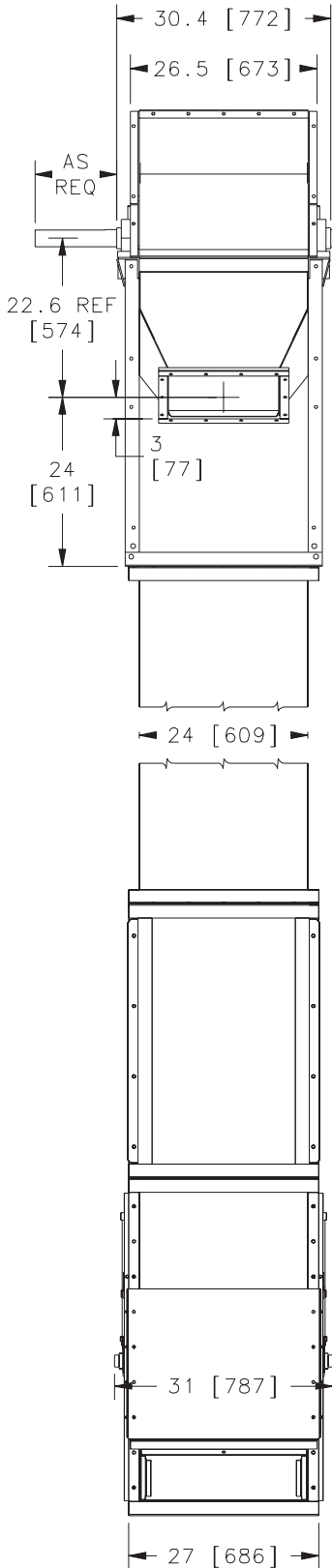
### SPECIFICATIONS

Model	DD-2000ED	DD-4500	DD-6000
Capacity - Free Flowing Material @ 85% Bucket fill	2,500 CFH 71 CMH	5,625 CFH 159 CMH	7,500 CFH 212 CMH
Short TPH @ 50lbs. ft <sup>3</sup>	62	140	187
Short TPH @ 75lbs. ft <sup>3</sup>	93	210	281
Belt Speed	145 FPM	290 FPM	400 FPM
Headshaft RPM	45 RPM	90 RPM	125 RPM
Bucket Spacing	6"	6"	6"
Head Casing	14 ga sides with 11 ga rim		
Headshaft Dia.	2 7/16" dia. to 120', 2 15/16" dia. over 120'		
Headshaft Bearing	Ball Bearing Pillow Block, optional roller		
Head Pulley	12 3/8" dia. x 22" wide, vulcanized rubber lagging, Q D hub		
Buckets	9"x5 1/2" plastic or steel, 2 rows 18"x5 1/2" steel, 20"x5 1/2" plastic optional		
Belting	21" wide PVC, optional rubber		
Legging	14 ga twin column, self supporting		
Boot Casing	10 ga		
Bootshaft	1 15/16" turned to 1 11/16"		
Bootshaft Bearing	Ball Bearing Take-up Unit		
Boot Pulley	12" dia. x 21" wide wing type		
Construction	Carbon steel		
Drive Package	Optional		
Motor	Optional		

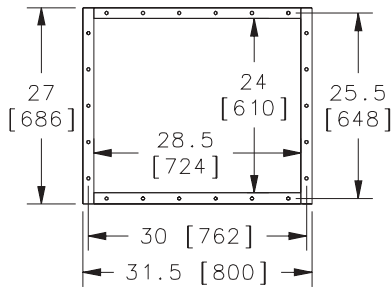
THE TRADITION OF  
EXCELLENCE CONTINUES!

(Guards removed for photos only)

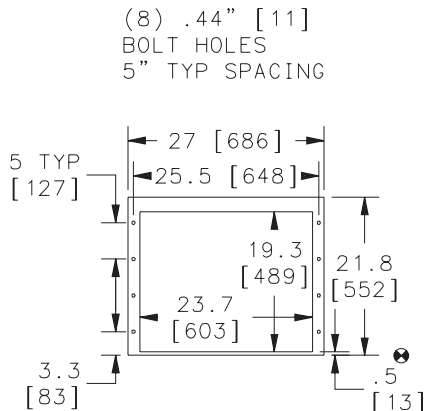
# MODEL DD



DISCHARGE FLANGE  
SECTION A - A



COUPLING FLANGE  
SECTION B - B



INLET OPENING  
SECTION C - C

