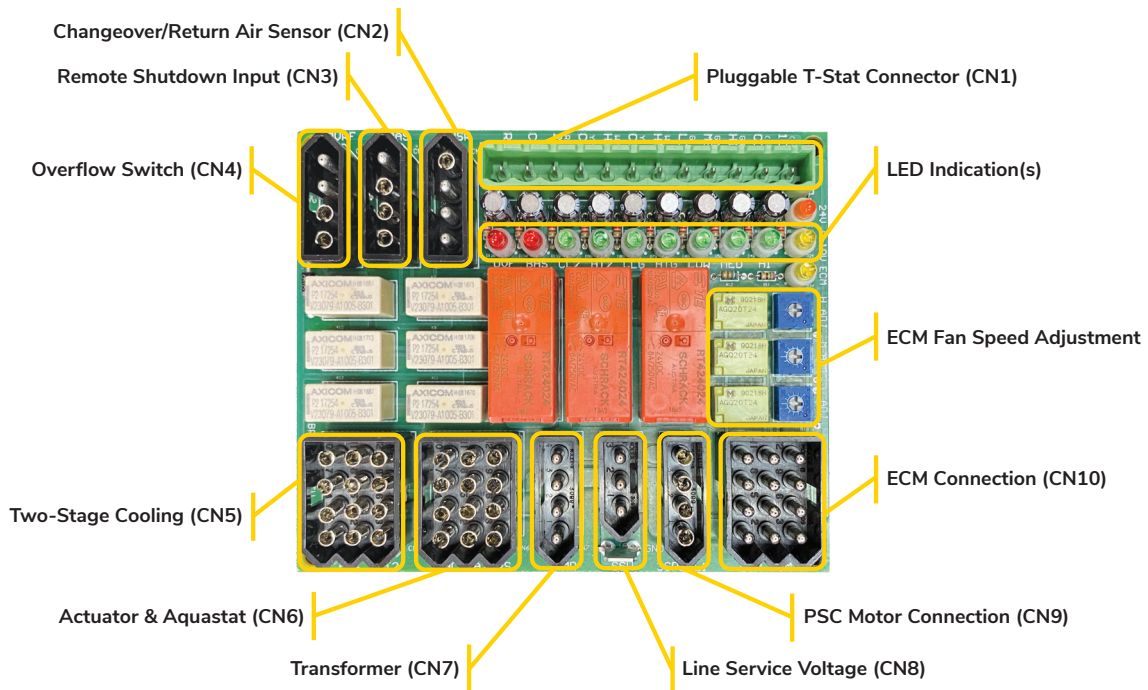
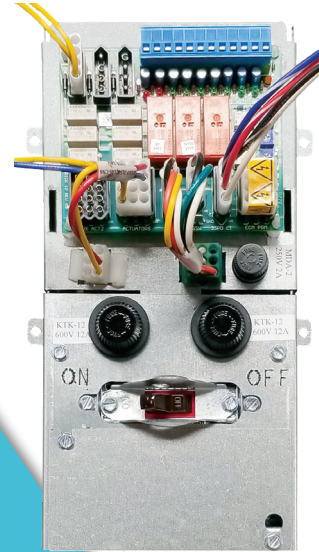


The 85 Control Board offers simplified install and service with its plug-in connections and QR code for quick wiring diagram reference and after market parts.

It also offers LED diagnostics, including a condensate overflow indicator. The board also offers LED diagnostics and built-in design flexibility for added features such a staged cooling or BAS signal input. The 85 Control Board is available with most controls schemes.



Market Applications



Higher
Education



K-12
Education



Hospitality



Multi-family
Residential



Office



Healthcare

Control Board

85 SERIES

Owner Benefits

- Reduced installation time
- BAS output for seamless connection to existing systems
- Option for 2-stage cooling for humidity management*
*Compatible with IEC Venture Wi-Fi Thermostat
- Readily accepts Bipolar Ionizer for IAQ solutions



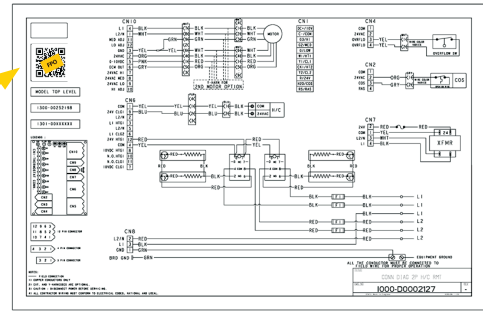
Venture Wi-Fi Thermostat
E055-71520330



Plasma Air Bipolar Ionizer
G100-71542101

Installer Benefits

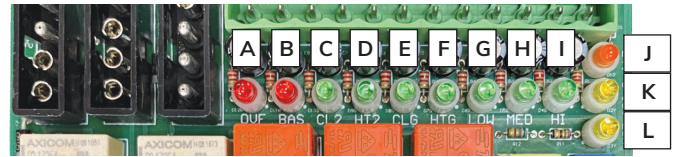
- Simple plug-in connections
- Consistent wiring diagram nomenclature & identification
- LED power indicators
- 11" x 17" wiring diagram shipped with unit
- QR code to direct to parts & IOM



Example 11 x 17 Wiring Diagram

Maintenance Benefits

- Sequence of Operations/ LED operation diagnostics and notifications
- QR code for service parts on 5 part tag & wiring diagram
- Accessible ECM fan speed adjustment



LED Indicators & Diagnostics

Future Application Readiness

With implementation of the 85 control board series, IEC is paving the road for future modular solutions, including boards and modules for Wi-Fi communication, additional sensors and more!

Product Availability

The 85 Control Board comes standard in the following IEC product families:

- Horizontal Ceiling
- Horizontal & Vertical Hi-Performance
- Vertical Floor*
- Vertical Stack (Available Q4 2021)

*not available for Stud (STW, STY)

Units configured for line voltage, customer-furnished controls or service switches 30Amp or greater will require a different controls solution and are not in scope of the 85 Control Board Series.

PART NUMBERS

Contact Aftermarket Parts Department for control board replacement parts or retrofit controls installations.

IEC Part Number: I100-90034482
FL-240 (01/2021)

©2021 International Environmental Corporation (IEC)



5000 W. I-40 Service Rd.
Oklahoma City, OK 73128
P: 405.605.5000
F: 405.605.5001
www.iec-ok.com