

Film Gripper Chains



PERFORMANCE IN MOTION

**NEW HYGIENE
SPRING**






Film Gripper Chains

GRIPPER CHAINS FOR THERMOFORMING MACHINES

Gripper chains are used to convey plastic film in “form, fill and seal” packaging machines.



SERIES	CLAMP DESIGN	CLAMP FEATURES				BASE CHAIN MATERIAL	CORROSION RESISTANCE	WEAR RESISTANCE
		FILM RETENTION	SPRING FORCE	CLAMP MATERIAL	SPRING MATERIAL			
TFK	 K STYLE CLAMP	VERY HIGH	55 N	SS	SS	S + NC	GOOD	EXCELLENT
						SS	EXCELLENT	GOOD
TF	 STANDARD CLAMP	HIGH	85 N	SS	SS	S + NC	GOOD	EXCELLENT
						SS	EXCELLENT	GOOD
TFO	 HORIZONTAL CLAMP	AVERAGE	60 N (30X2)	SS	SS	S + NC	GOOD	EXCELLENT
						SS	EXCELLENT	GOOD

MATERIALS

TYPE	DESCRIPTION	FEATURES
S + NC	CARBON STEEL + NICKEL PLATED	Through hardened carbon steel and electroless nickel plating for good corrosion resistance. Excellent strength and wear resistance.
SS	AUSTENITIC STAINLESS STEEL	Cr-Ni austenitic stainless steel. AISI 302-304 (Wn 1.4301). Excellent corrosion resistance.

PRODUCT FEATURES

- All chains are available in nickel plated or stainless steel construction, for outstanding corrosion resistance.
- Improved clamp design for increased film retention and smooth operation.
- Supplied in pre-stretched and matched strands for trouble free machine set-up.
- Special lubrication applied at factory, FDA H1 approved grease, for higher wear and corrosion resistance.



Regina GRIPPER chains are manufactured in Regina's European Factories

K STYLE CLAMP "TFK SERIES"

The K style clamp allows a vertical movement combined with side rotation (kick-back) to ensure easy film engagement and scrap release.

126TFK
ISO 08B-1 : PITCH $\frac{1}{2}$ " - 12,70 mm

Round Spring

136TFK
ISO 10B-1 : PITCH $\frac{5}{8}$ " - 15,875 mm

Round Spring

NEW **136TFKQ**
10B-1 : PITCH $\frac{5}{8}$ " - 15,875 mm

Hygiene Spring

REGINA REF.	BASE CHAIN MATERIAL	CLAMP MATERIAL	SPRING MATERIAL	CHAIN PITCH P		ROLLER DIAMETER Dr		INSIDE WIDTH W		CLAMPING FORCE N	
				mm	inches	mm	inches	mm	inches		
126TFK	S + NC	SS	ROUND	SS	12,70	$\frac{1}{2}$	8,51	,335	7,75	,305	50
SS126TFK	SS	SS	ROUND	SS	12,70	$\frac{1}{2}$	8,51	,335	7,75	,305	50
136TFK	S + NC	SS	ROUND	SS	15,875	$\frac{5}{8}$	10,16	,400	9,65	,380	55
SS136TFK	SS	SS	ROUND	SS	15,875	$\frac{5}{8}$	10,16	,400	9,65	,380	55
NEW 136TFKQ	S + NC	SS	HYGIENE	SS	15,875	$\frac{5}{8}$	10,16	,400	9,65	,380	55
NEW SS136TFKQ	SS	SS	HYGIENE	SS	15,875	$\frac{5}{8}$	10,16	,400	9,65	,380	55

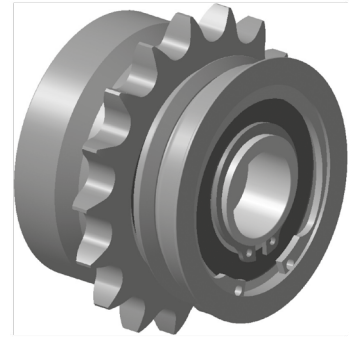
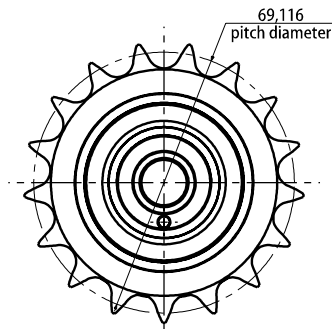
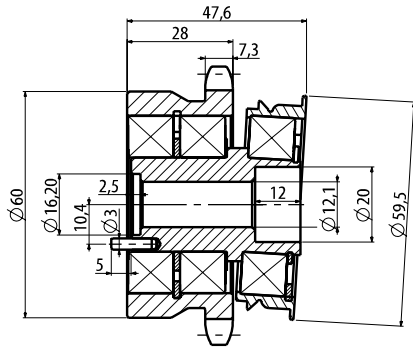
CONNECTING LINKS

Depending on the guide shape profile you can choose between two types of connecting links

	GUIDE PROFILE STYLE	CHARACTERISTICS	PART N°	FOR CHAIN
UNIVERSAL 	 C-shaped guide	Type 26 The wire clip is located on the clamp side. The universal connecting link fits in all types of chain guides, including C-shaped guide profile.	26/126TFK	126TFK
			26/136TFK	136TFK
			26/136TFKQ	136TFKQ
			26/SS126TFK	SS126TFK
			26/SS136TFK	SS136TFK
			26/SS136TFKQ	SS136TFKQ
REVERSED 	 Open guide	Type 26R Spring clip is located on the opposite side of the clamp. Suitable only with open guides.	26R/126TFK	126TFK
			26R/136TFK	136TFK
			26R/136TFKQ	136TFKQ
			26R/SS126TFK	SS126TFK
			26R/SS136TFK	SS136TFK
			26R/SS136TFKQ	SS136TFKQ

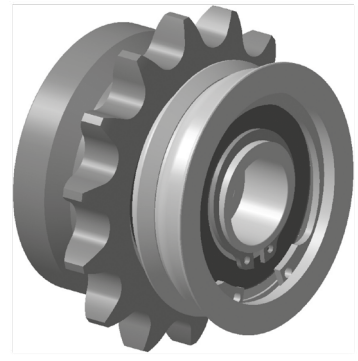
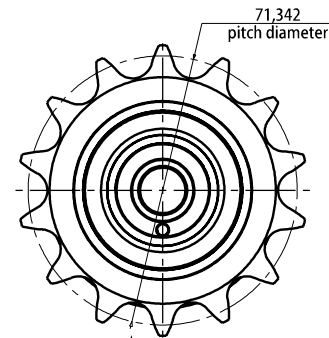
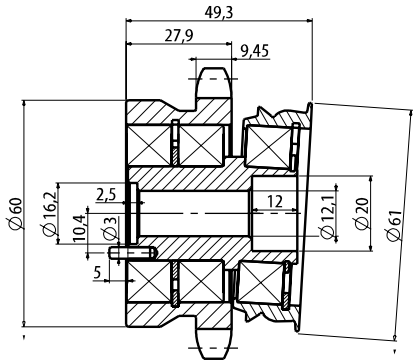
CAM SPROCKET FOR CHAIN 126TFK (P= 1/2") - 12,70 MM

PART N° GS 89
Z = 17

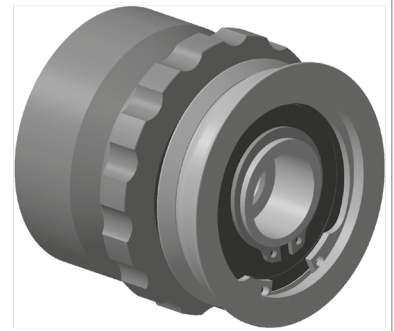
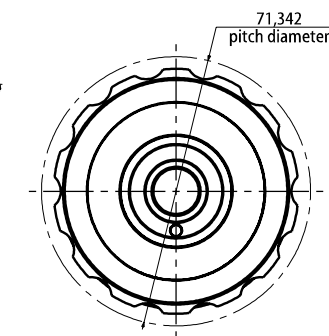
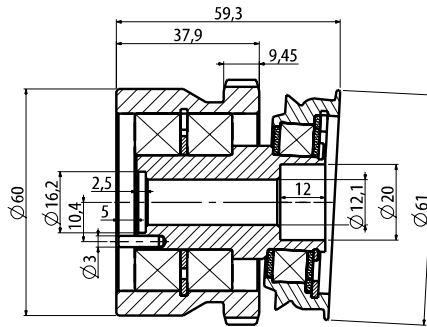


CAM SPROCKETS FOR CHAIN 136TFK (P= 5/8") - 15,875 MM

PART N° GS 88
Z = 14

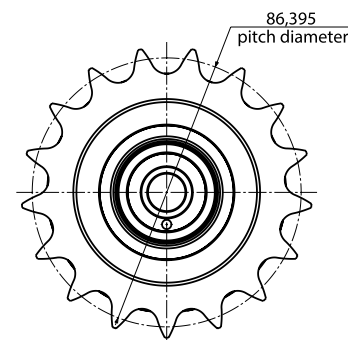
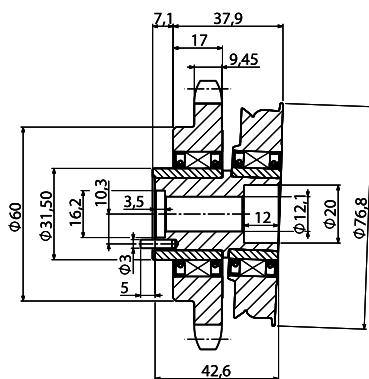


PART N° GS 106
Z = 14



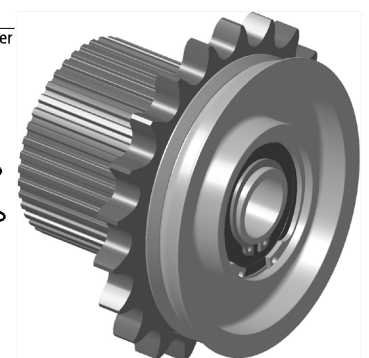
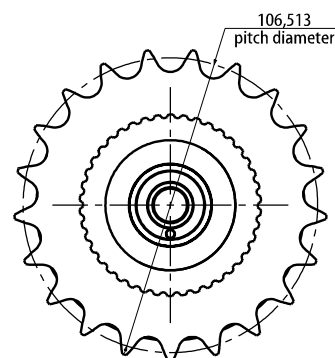
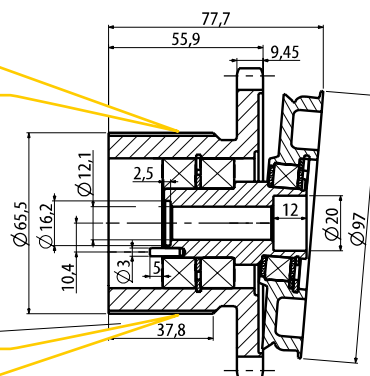
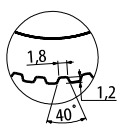
NEW

PART N° GS 160
Z = 17



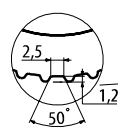
PART N° GS 107
Z = 21

Belt type T5



PART N° GS 174
Z = 21

Belt Type AT5

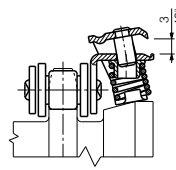
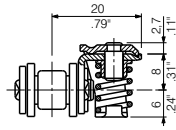
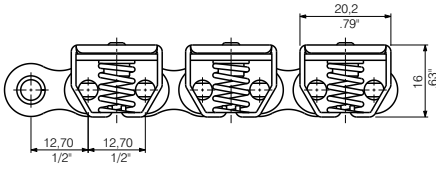


STANDARD CLAMP "TF SERIES"

126TF

ISO 08 B-1 : PITCH $\frac{1}{2}$ "- 12,70 mm

The standard clamp opens vertically with a slight side movement to follow the cam shape.



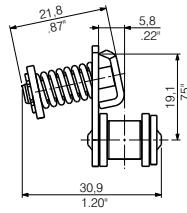
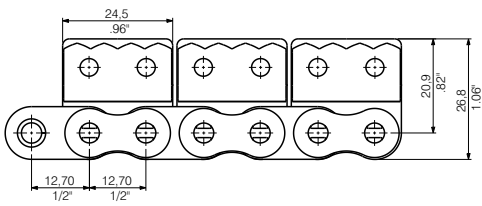
REGINA REF.	BASE CHAIN MATERIAL	CLAMP MATERIAL	SPRING MATERIAL	CHAIN PITCH P		ROLLER DIAMETER Dr		INSIDE WIDTH W		CLAMPING FORCE N
				mm	inches	mm	inches	mm	inches	
126TFNC/055	S + NC	SS	SS	12,70	$\frac{1}{2}$	8,51	,335	7,75	,305	85
SS126 TF/019	SS	SS	SS	12,70	$\frac{1}{2}$	8,51	,335	7,75	,305	85

HORIZONTAL CLAMP "TFO SERIES"

126TFO

ISO 08 B-1 : PITCH $\frac{1}{2}$ "- 12,70 mm

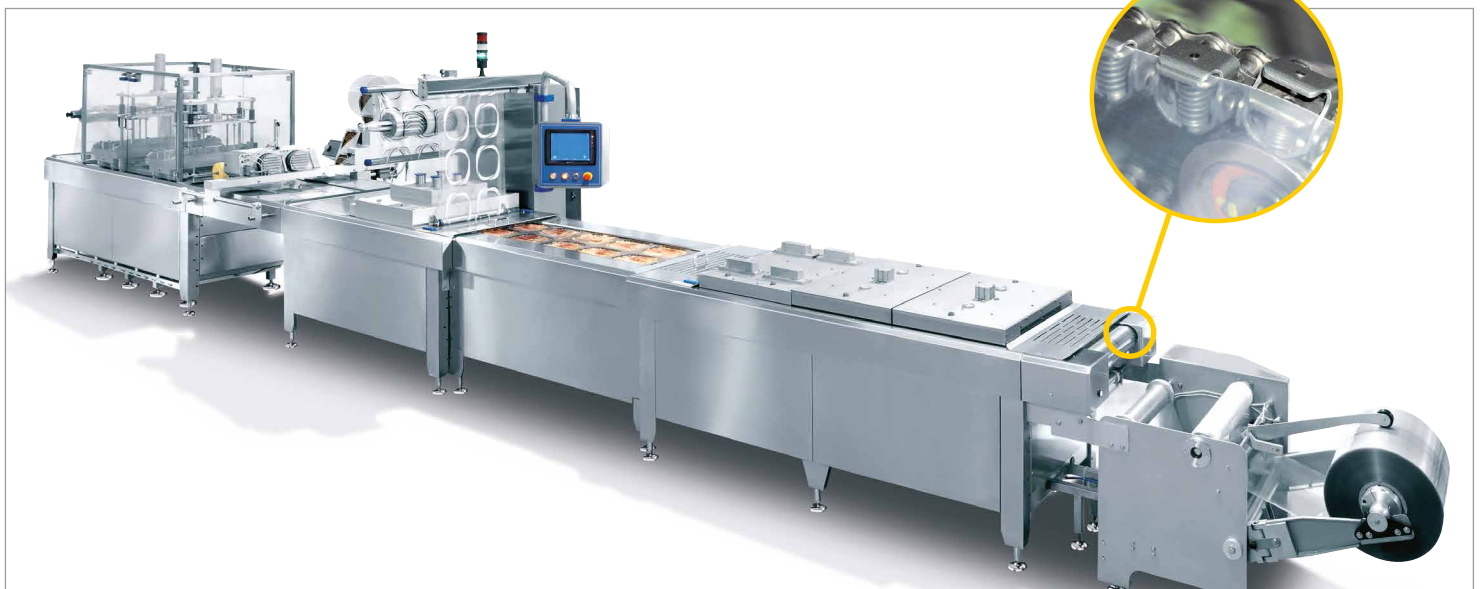
Two springs of 30N each for uniform film clamping and control of film tension.



REGINA REF.	BASE CHAIN MATERIAL	CLAMP MATERIAL	SPRING MATERIAL	CHAIN PITCH P		ROLLER DIAMETER Dr		INSIDE WIDTH W		CLAMPING FORCE N	ASSEMBLY SIDE
				mm	inches	mm	inches	mm	inches		
126 TFO/P003	S + NC	SS	SS	12,70	$\frac{1}{2}$	8,51	,335	7,75	,305	60	left
126 TFO/P004	S + NC	SS	SS	12,70	$\frac{1}{2}$	8,51	,335	7,75	,305	60	right
SS126 TFO/000	SS	SS	SS	12,70	$\frac{1}{2}$	8,51	,335	7,75	,305	60	left
SS126 TFO/001	SS	SS	SS	12,70	$\frac{1}{2}$	8,51	,335	7,75	,305	60	right

Since the horizontal Film Gripper Chains (TFO series) have a dedicated geometry for right or left assembly side, each ordered quantity has to be split in 50% right and 50% left version.

APPLICATION FIELD





PERFORMANCE IN MOTION

ITALY

REGINA CATENE CALIBRATE S.p.A.
HEAD OFFICE:
Via Monza, 90
23870 Cernusco Lombardone (LC) - Italy
Tel. +39 039 99801
Fax +39 039 9905229
sales@reginachain.net

USA

REGINA USA, INC.
305 E. Mahn Court
Oak Creek, WI 53154 - USA
Tel. 001 414 5710032
Fax 001 414 5710225
sales.us@reginachain.net

FRANCE

REGINA INDUSTRIE s.a.r.l.
Z.A.C. des Chatelliers
34 Rue des Frères Lumière
45800 Saint Jean De Braye - France
Tel. +33 238 836363
Fax +33 238 836413
sales.fr@reginachain.net

MEXICO

REGINA de MEXICO S.A. de C.V.
Av. Aviación 5051-28
Col. San Juan de Ocotan
45019 Zapopan, Jalisco – Mexico
Tel. +52 33 3627 4043
Fax +52 33 3627 3930
sales.mx@reginachain.net

CHINA

REGINA TIANJIN CHAIN & BELT CO., LTD.
Xi Qing Economic Development Area,
Xiang Rui Road n. 17
Tian Xiang Industrial Zone
300385 Tian Jin - China
Tel. +86 22 83961223
Fax +86 22 83961202
sales.cn@reginachain.net

UNITED KINGDOM

REGINA INTERNATIONAL LIMITED
Unit 1, Dyneley Road,
Greenbank Business Park
Whitebirk, Blackburn,
Lancs BB1 3AB - United Kingdom
Tel. +44 1254 661116
Fax +44 1254 59456
sales.uk@reginachain.net

ARGENTINA

REGINA INTERNATIONAL S.A.
Diagonal 190,
1788-1655 José Leon Suarez
Prov. Buenos Aires – Argentina
Tel. +54 11 47296667
Fax +54 11 47203210
sales.ar@reginachain.net

GERMANY

SALES OFFICE
Tel. +49 1705251348
Fax +49 7181489535
sales.de@reginachain.net

THE NETHERLANDS

SALES OFFICE
Tel. +31 610681114
sales.nl@reginachain.net

SPAIN

CADENAS REGINA ESPAÑA, S.L.
Calle Industria, 37
08120 La Llagosta - Barcelona - España
Tel. +34 93 5742838
Fax +34 93 5740735
sales.es@reginachain.net

INDIA

SALES OFFICE
Tel. +91 9881399026
sales.in@reginachain.net

