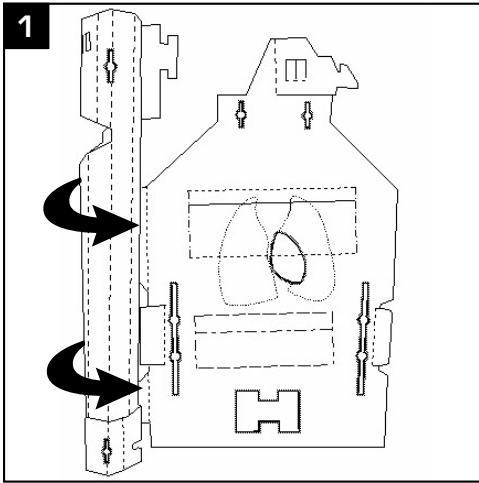
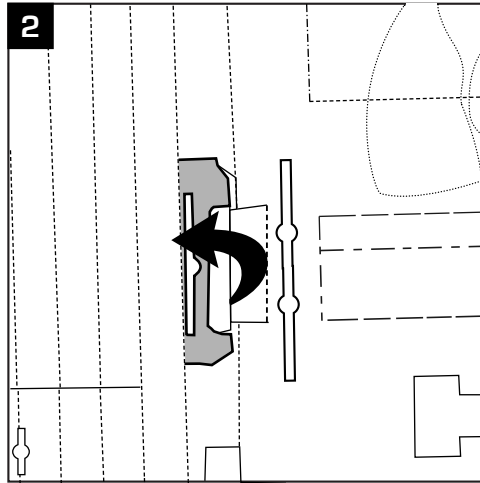


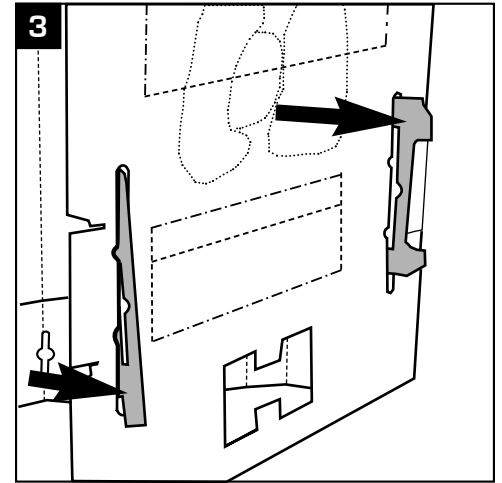
TORSO ASSEMBLY INSTRUCTIONS



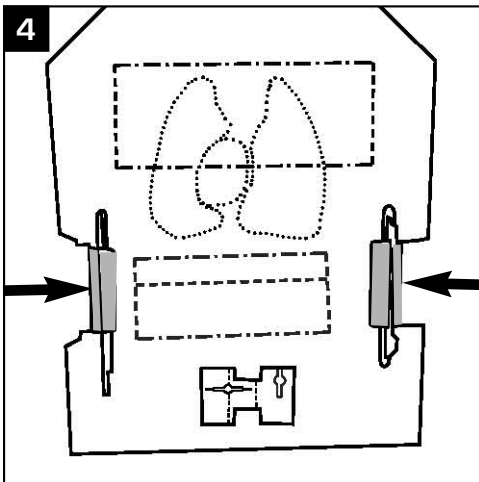
1 Roll and unroll the torso left side to shape the body contour.



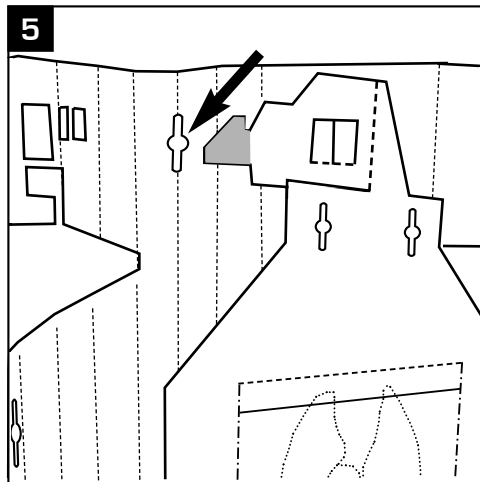
2 After unrolling, flip the torso center tab out.



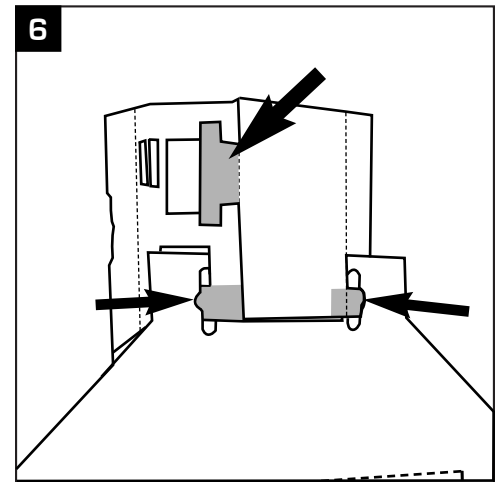
3 Fold the torso back onto the front and pull the tabs through.



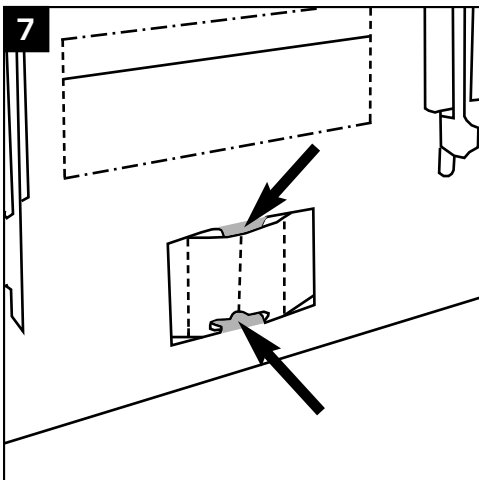
4 Fold the outer-edge flaps into the tab slots to lock them in place.



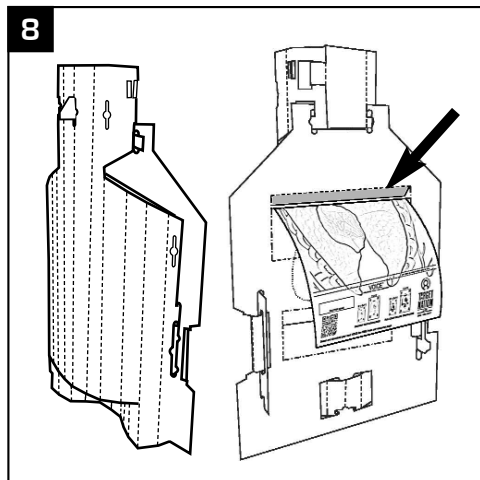
5 Insert the nose piece in the center slot.



6 Wrap the head around. Insert the lower tabs and lock the 'T' tab.



7 OPTIONAL: Fold in and lock the pelvic belt with the torso back tabs.

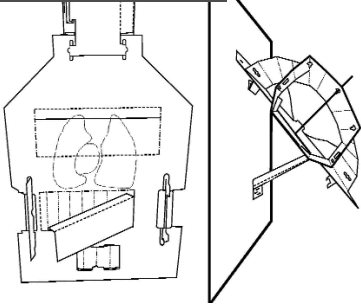
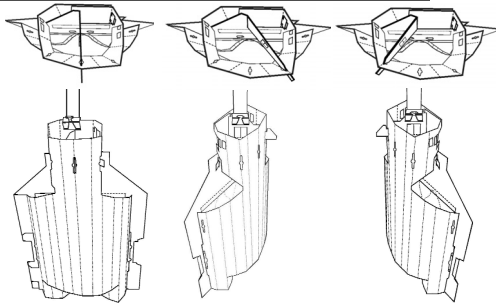
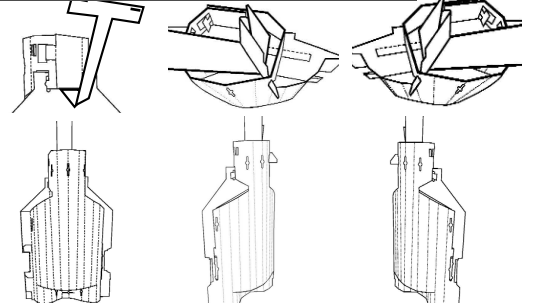
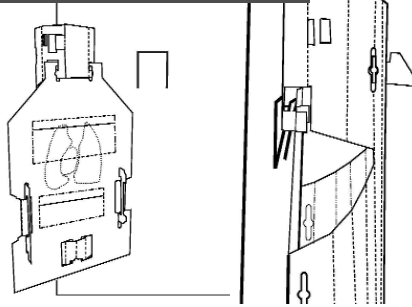
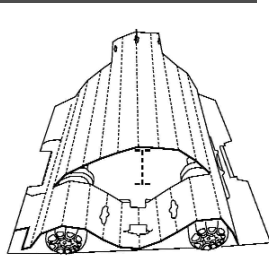
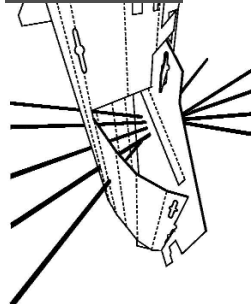
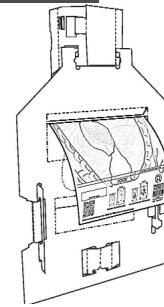
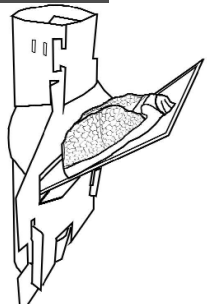
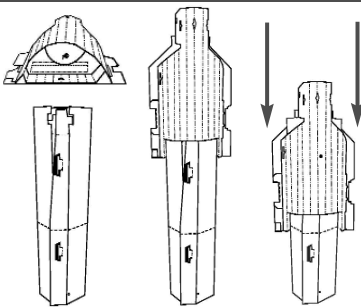
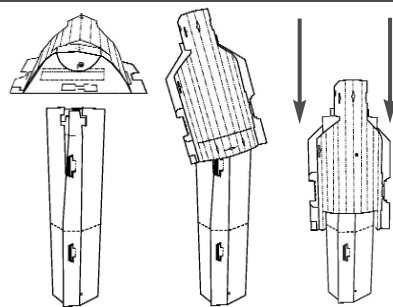
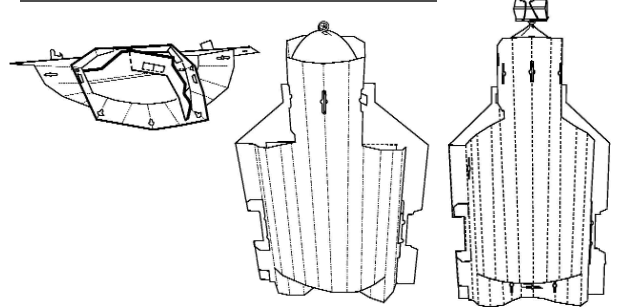
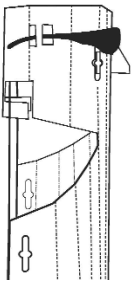
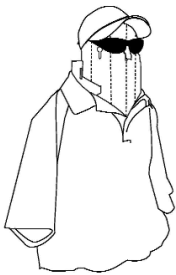
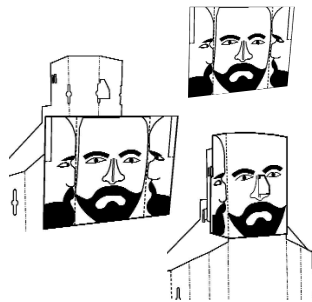
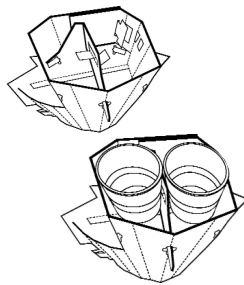
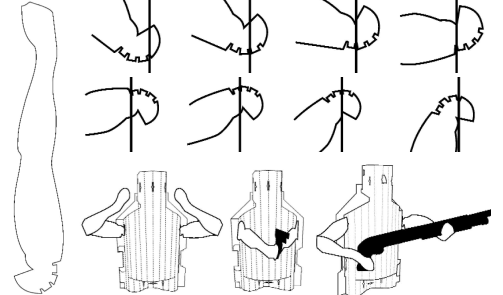
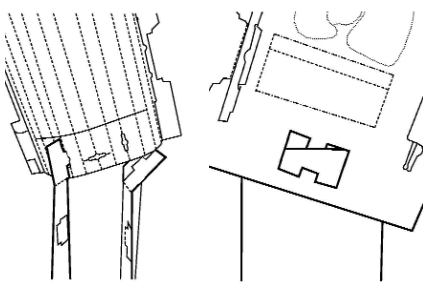
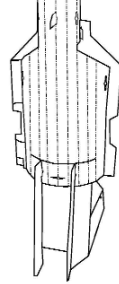


8 Use as is (back perforated vitals) or fold-in the slot to insert a VOICE(1)



View videos of all Fred known configurations, and download for free Masks and VOICES at www.TARGETNATION.COM

TORSO COMMON SETUP OPTIONS

45° ON FLAT BACKING

45° FROM SINGLE CLIP TARGET HOLDER

45° FROM 'T' FOR DOUBLE CLIP HOLDER

FLAT AGAINST FLAT BACKING

WEIGHTED FOR SEATING

SHOT TRACING

2-D VOICE⁽¹⁾

3-D VOICE⁽¹⁾

STRAIGHT REACTIVE BALLOON DROP

LEANING REACTIVE BALLOON DROP

HEAD SHOT REACTIVE BALLOON DROP

GLASSES LOCK

SUIT UP

FREE DOWNLOADABLE MASKS

2 BRAINS LOCKING TABS

ARMS ATTACHMENT (ACCESSORY BOARD)

LEANING AND SLICING THE PIE

KNEELING

STANDARD TARGET HOLDERS
