



PRODUCT CATALOGUE
INDUSTRIAL AND CONSUMER MOTORS

P R E F A C E

Chiaphua Components Limited is a leading international supplier of high-performance motors and components, serving virtually every market in every corner of the world. We stand by to develop ingenious motor-driven solutions that will transform the movement of your products. We are also dedicated to offering competitive and high-quality products that put you, the customer, first.

Our products have become the solution of choice. For decades, Chiaphua Motors has been recognized internationally as a reliable motor manufacturer by providing customized solutions for our customers. With this in mind, you are assured that every motor you receive from us is designed with your exact specification in mind. Furthermore, by listening to our customers, coupled with our investment in innovations, our engineers are well-equipped and capable of introducing new products to meet the markets' ever expanding requirement.

We pride ourselves in operating in a world class manufacturing facility located in China. With our heavy investment in vertical integration and applying our expertise in research, production and marketing, we can develop new motor technologies and designs to deliver the solutions you want, delivering the best in functionality and design at competitive prices. Chiaphua Motors is your partner in motor driven solutions.



The information above is for reference only, detailed specification is subject to final confirmation

Email: sales@cclmotors.com Website: <http://www.cclmotors.com>
4/F, No. 6, On Lok Mun Street, On Lok Tsuen, Fanling, N.T., Hong Kong

Tel: (852) 3125 0000 Fax: (852) 3125 0125

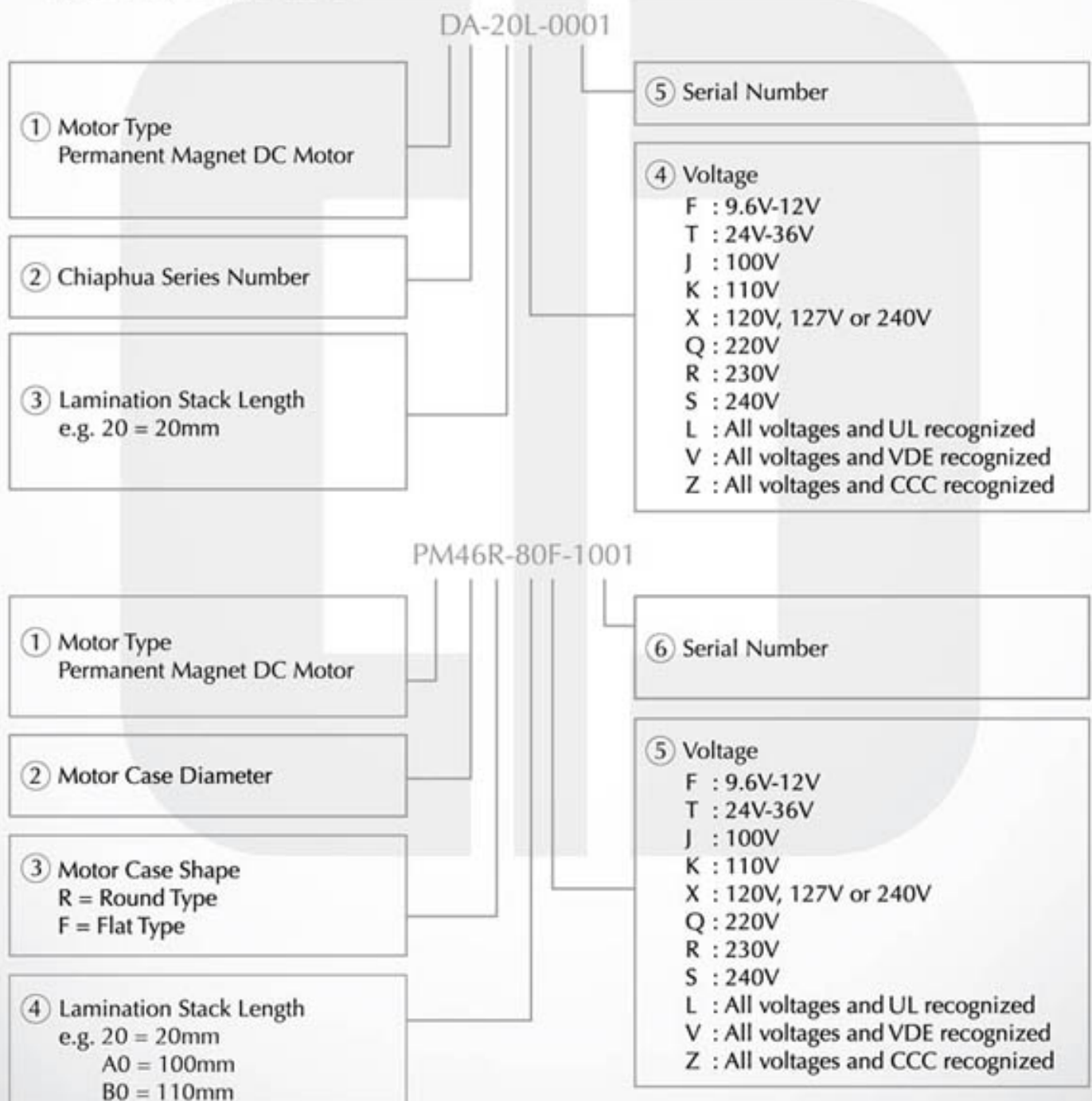
I N D E X

PERMANENT MAGNET DC MOTOR	P.3
Low Voltage PMDC Motor	P.4
High Voltage PMDC Motor	P.6
Encoder Motor	P.12
Industrial PMDC Motor	P.13
INDUCTION MOTOR	P.28
SHADED POLE MOTOR	P.38
UNIVERSAL MOTOR	P.45
VACUUM CLEANER MOTOR	P.55
BRUSHLESS MOTOR	P.73
GEAR MOTOR	P.83
TRANSAXLE	P.103
HUB MOTOR / MOTOR WHEELS	P.112
LINEAR ACTUATORS	P.117

The information above is for reference only, detailed specification is subject to final confirmation

Permanent Magnet DC Motor

With our strong engineering and flexible design capability, CCL delivers professional motor solution with outstanding performance and long life. In addition to standard models, we can tailor make solutions that offer customers a wide selection of requirements in performance, dimensions and applications. For more diversified features, most of our DC motors can be incorporated with specially designed gear systems for your applications.



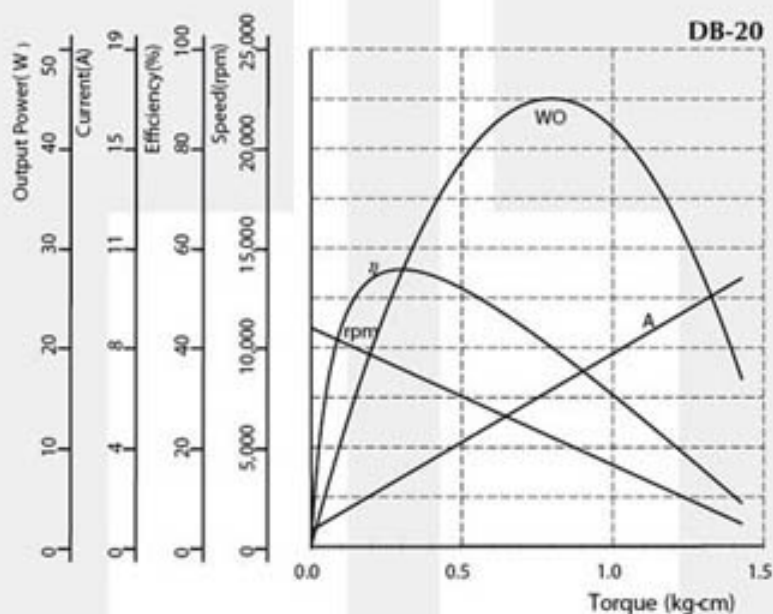
The information above is for reference only, detailed specification is subject to final confirmation



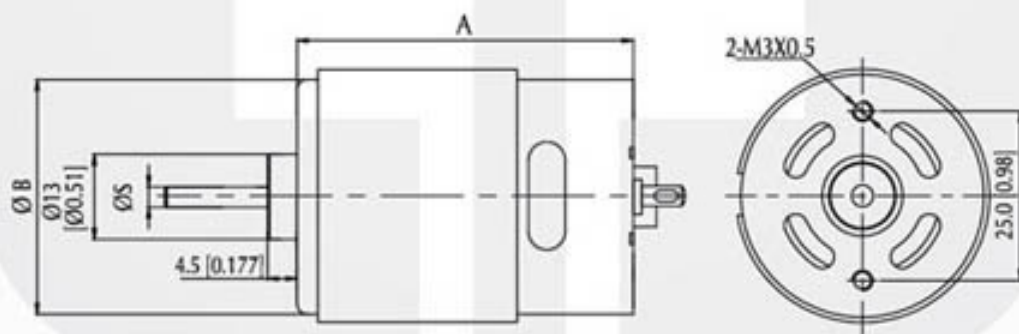
Low Voltage PMDC Motor - DB Series

Voltage : 3 - 36V DC
 Rated Speed : 3,000 - 20,000rpm
 Rated Torque : 0.3kg-cm[0.26lb-in]
 Rated Input Power : 20 - 120W
 Insulation Class : A, B
 Motor Diameter : $\varnothing 35.8\text{mm}$ [1.41inch]
 Typical Application : Water Pump, Air Pump, Fan, Hair Dryer, Paper Shredder, Power Brush, Vacuum Cleaner, Vending Machine

Performance Curve



Dimension (mm[inch])



Performance (testing under room temperature)

Model	Dim A mm[inch]	Dim B mm[inch]	Dim S mm[inch]	Rated Voltage (V DC)	No Load		At Maximum Efficiency				Maximum Power			
					Speed (rpm)	Current (A)	Speed (rpm)	Current (A)	Torque (kg-cm)[lb-in]	Output (W)	Speed (rpm)	Current (A)	Torque (kg-cm)[lb-in]	Output (W)
DB-20	50[1.97]	35.8[1.41]	3.175[0.125]	18	11,000	0.6	8,930	2.6	0.3 [0.26]	27.6	5,500	5.9	0.8 [0.70]	45.0
DB-30	57[2.24]	35.8[1.41]	3.175[0.125]	12	6,450	0.4	5,470	2.2	0.3 [0.26]	16.9	3,220	6.5	1.0 [0.92]	33.0

The information above is for reference only, detailed specification is subject to final confirmation

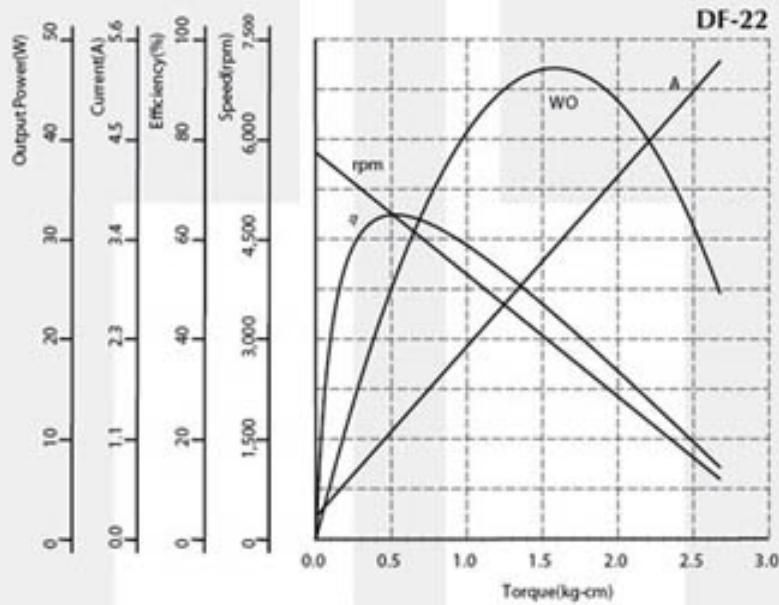
Permanent Magnet DC Motors
 Servo Motors
 Stepper Motors
 Brushless Motors
 Gear Motors
 Actuators
 Linear Actuators



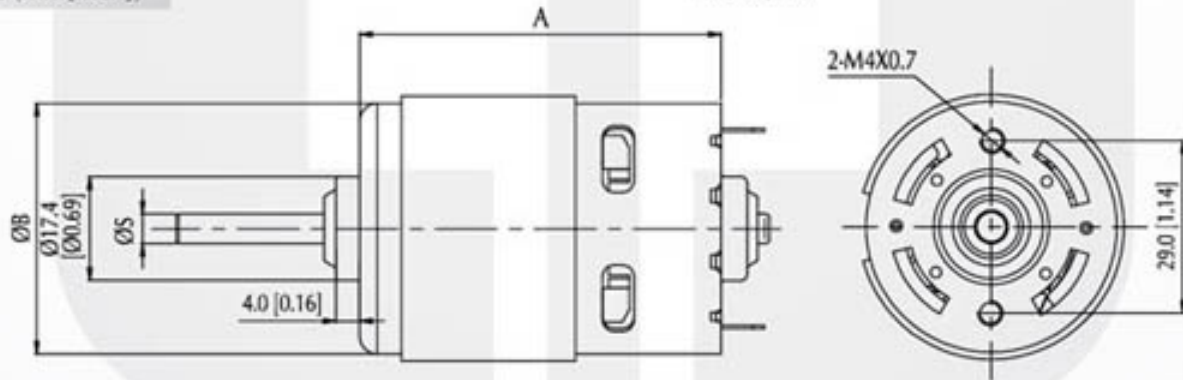
Low Voltage PMDC Motor - DF Series

Voltage	: 6 - 36V DC
Rated Speed	: 9,000 - 17,000rpm
Rated Torque	: 0.60 - 0.92kg-cm[0.50 - 0.80lb-in]
Rated Input Power	: 60 - 200W
Insulation Class	: A, B
Motor Diameter	: Ø42.2mm[1.66inch]
Typical Application	: Grass Trimmer, Jig Saw, Screw Driver, Drill

Performance Curve



Dimension (mm[inch])



Performance (testing under room temperature)

Model	Dim A mm[inch]	Dim B mm[inch]	Dim S mm[inch]	Rated Voltage (V DC)	No Load		At Maximum Efficiency				Maximum Power			
					Speed (rpm)	Current (A)	Speed (rpm)	Current (A)	Torque (kg-cm)[lb-in]	Output (W)	Speed (rpm)	Current (A)	Torque (kg-cm)[lb-in]	Output (W)
DF-15	51.0[2.0]	42.2[1.66]	5.0[0.16]	18	21,000	2.1	17,500	11.5	0.75[0.65]	134.8	10,200	38.5	2.7[2.35]	282.8
DF-22	60.0[2.36]	42.2[1.66]	5.0[0.16]	32	5,800	0.25	4,700	1.4	0.60[0.50]	29	2,900	3.3	1.6[1.39]	47.7
DF-30	66.1[2.60]	42.2[1.66]	5.0[0.16]	12	14,560	2.0	12,400	14.34	0.92[0.80]	117.2	7,300	22	2.2[1.91]	164.9

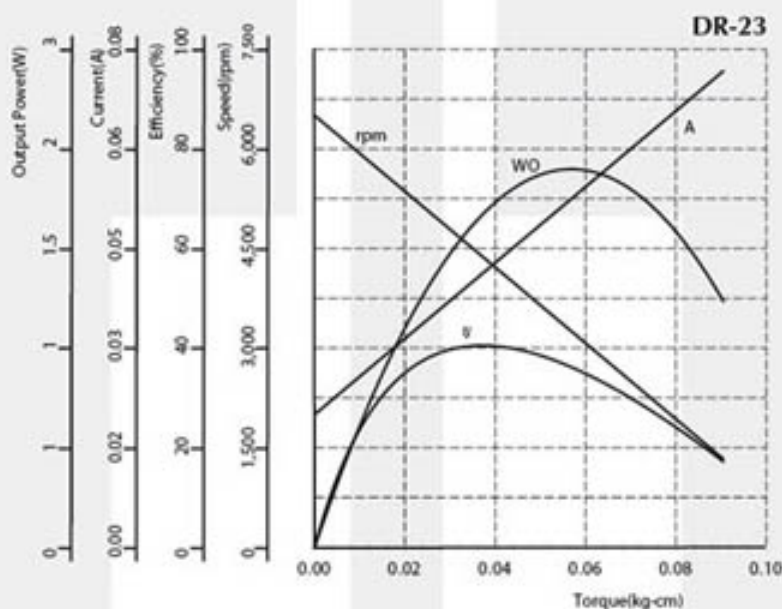
The information above is for reference only, detailed specification is subject to final confirmation



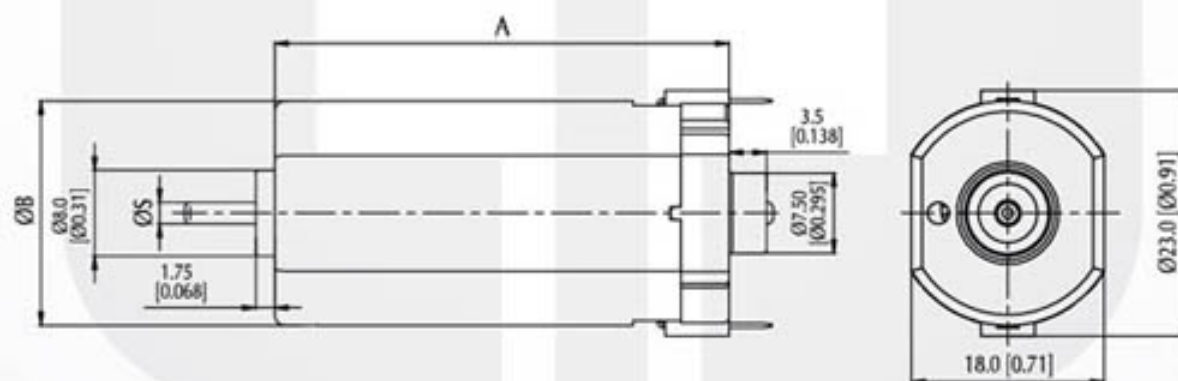
High Voltage PMDC Motor - DR Series

Voltage : 100 - 120V DC
 Rated Speed : 6,000rpm
 Rated Torque : 0.035kg-cm[0.03lb-in]
 Rated Input Power : 3 - 10W
 Insulation Class : A, B
 Motor Diameter : $\varnothing 21\text{mm}[0.83\text{inch}]$
 Typical Application : Trimmer

Performance Curve



Dimension (mm[inch])



Performance (testing under room temperature)

Model	Dim A mm[inch]	Dim B mm[inch]	Dim S mm[inch]	Rated Voltage (V DC)	No Load		At Maximum Efficiency			Maximum Power				
					Speed (rpm)	Current (A)	Speed (rpm)	Current (A)	Torque (kg-cm[lb-in])	Output (W)	Speed (rpm)	Current (A)	Torque (kg-cm[lb-in])	Output (W)
DR-23	42.5[1.67]	21.0[0.83]	2.0[0.08]	100	6,500	0.02	4,500	0.04	0.035[0.03]	1.62	3,250	0.056	0.06[0.05]	1.9

The information above is for reference only, detailed specification is subject to final confirmation

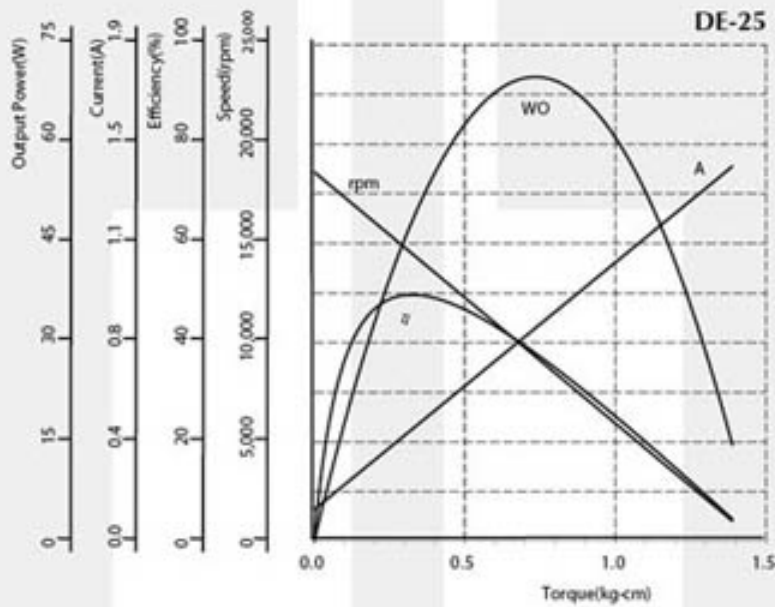
Permanent Magnet DC Motors
 Brushless Motors
 Servo Motors
 Stepper Motors
 AC Motors
 Gear Motors
 Transformers
 Relays
 Solenoids
 Sensors
 Actuators
 Other Components



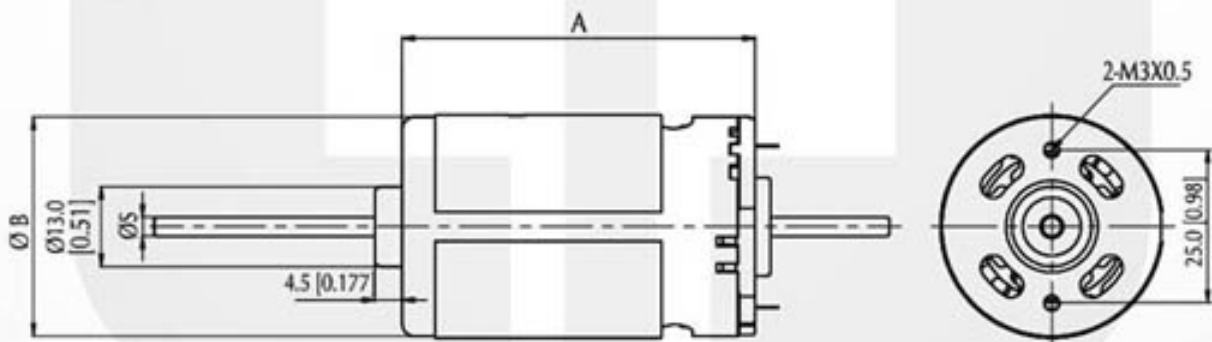
High Voltage PMDC Motor - DE Series

Voltage : 100 - 230V DC
 Rated Speed : 8,000 - 20,000rpm
 Rated Torque : 0.27 - 0.30kg-cm[0.23 - 0.26lb-in]
 Rated Input Power : 15 - 180W
 Insulation Class : A, E, B
 Motor Diameter : $\varnothing 35.8\text{mm}$ [1.41inch]
 Typical Application : Knife Sharpener, Massager, Coffee Grinder

Performance Curve



Dimension (mm[inch])



Performance (testing under room temperature)

Model	Dim A mm[inch]	Dim B mm[inch]	Dim S mm[inch]	Rated Voltage (V DC)	No Load		At Maximum Efficiency				Maximum Power			
					Speed (rpm)	Current (A)	Speed (rpm)	Current (A)	Torque (kg-cm)[lb-in]	Output (W)	Speed (rpm)	Current (A)	Torque (kg-cm)[lb-in]	Output (W)
DE-25	57[2.24]	35.8[1.41]	3.175[0.125]	230	18,600	0.12	14,800	0.40	0.30[0.26]	45.6	9,300	0.8	0.70[0.60]	70.1
DE-30	57[2.24]	35.8[1.41]	3.175[0.125]	120	11,100	0.12	8,500	0.40	0.27[0.23]	23.6	4,740	1.0	0.98[0.85]	47.7

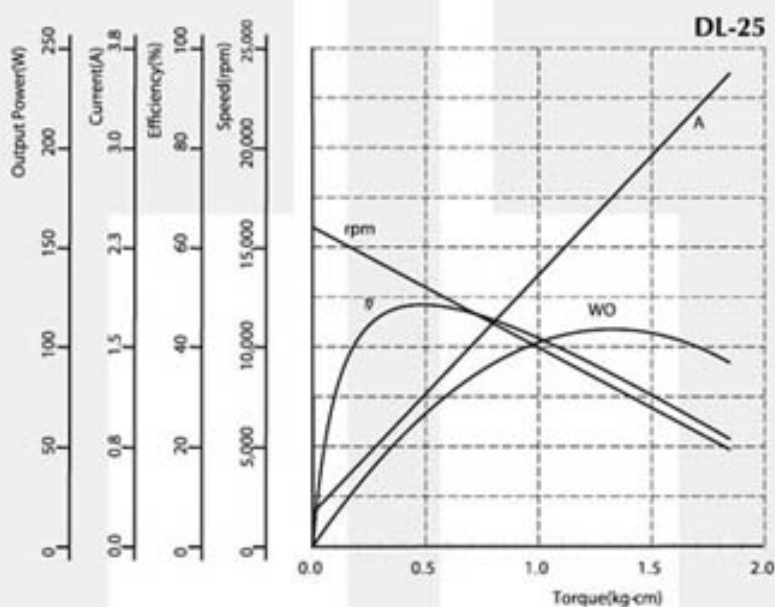
The information above is for reference only, detailed specification is subject to final confirmation



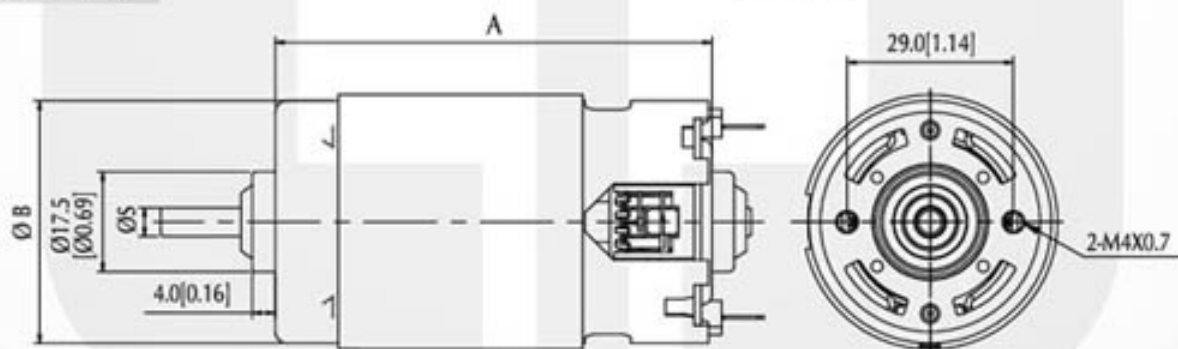
High Voltage PMDC Motor - DL Series

Voltage : 100 - 250V DC
 Rated Speed : 9,000 - 20,000rpm
 Rated Torque : 0.53 - 1.05kg-cm[0.46 - 0.91lb-in]
 Rated Input Power : 100 - 360W
 Insulation Class : A, E, B, F, H
 Motor Diameter : $\varnothing 42.3\text{mm}$ [1.67inch]
 Typical Application : Power Brush, Power Tool, Hand Mixer & Slicer

Performance Curve



Dimension (mm[inch])



Performance (testing under room temperature)

Model	Dim A mm[inch]	Dim B mm[inch]	Dim S mm[inch]	Rated Voltage (V DC)	No Load		At Maximum Efficiency				Maximum Power			
					Speed (rpm)	Current (A)	Speed (rpm)	Current (A)	Torque (kg-cm[lb-in])	Output (W)	Speed (rpm)	Current (A)	Torque (kg-cm[lb-in])	Output (W)
DL-25	66.1[2.60]	42.3[1.67]	5.0[0.197]	120	16,000	0.25	12,800	1.20	0.53[0.46]	69.7	8,000	2.6	1.30[1.10]	109.0
DL-35	76.1[2.996]	42.3[1.67]	5.0[0.197]	230	15,500	0.23	11,500	0.95	1.05[0.91]	124.0	6,500	2.30	3.28[2.85]	218.95

The information above is for reference only, detailed specification is subject to final confirmation

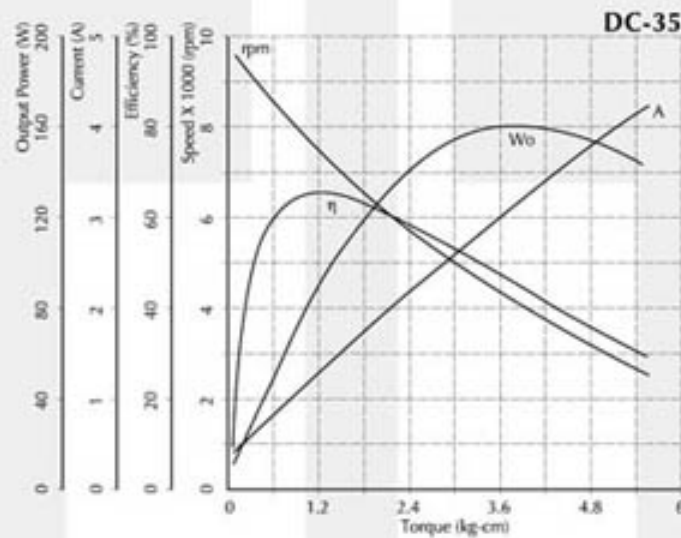
Permanent Magnet DC Motors
 Brushless Motors
 Servo Motors
 Stepper Motors
 AC Motors
 Gear Motors
 Hydraulic Motors
 Air Motors
 Linear Actuators



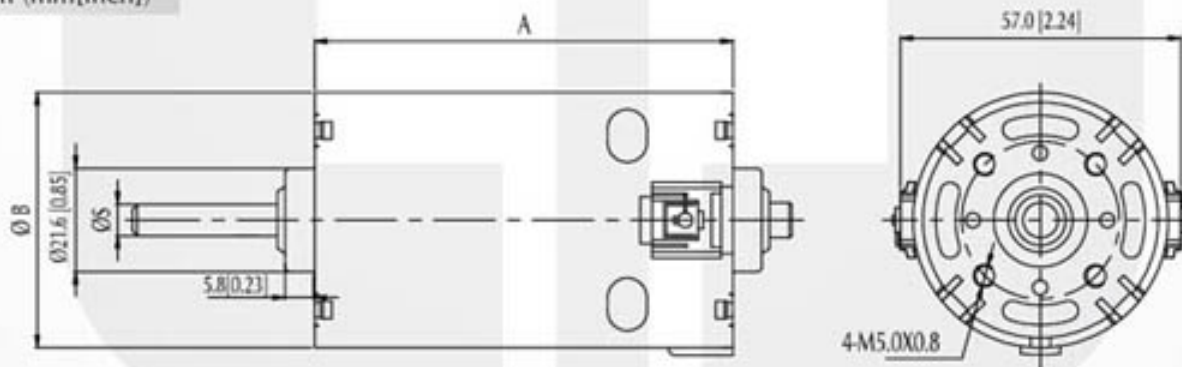
High Voltage PMDC Motor - DC Series

Voltage	: 100 - 250V DC
Rated Speed	: 3,000 - 13,000rpm
Rated Torque	: 0.75 - 1.20kg-cm[0.65 - 1.04lb-in]
Rated Input Power	: 40 - 300W
Insulation Class	: A, E, B
Motor Diameter	: Ø51.7mm[2.04inch]
Typical Application	: Hand Mixer, Massager, Slicer, Power Brush, Coffee Grinder

Performance Curve



Dimension (mm[inch])



Performance (testing under room temperature)

Model	Dim A mm[inch]	Dim B mm[inch]	Dim S mm[inch]	Rated Voltage (VDC)	No Load		At Maximum Efficiency				Maximum Power			
					Speed (rpm)	Current (A)	Speed (rpm)	Current (A)	Torque (kg-cm)[lb-in]	Output (W)	Speed (rpm)	Current (A)	Torque (kg-cm)[lb-in]	Output (W)
DC-35	85[3.35]	51.7[2.04]	7.14[0.28]	120	9,800	0.35	7,430	1.30	1.20 [1.04]	91.56	4,050	3.18	3.85 [3.35]	160.13
DC-50	100[3.94]	51.7[2.04]	7.14[0.28]	230	4,950	0.04	3,920	0.23	0.75 [0.65]	30.2	2,000	0.80	3.75 [3.26]	77

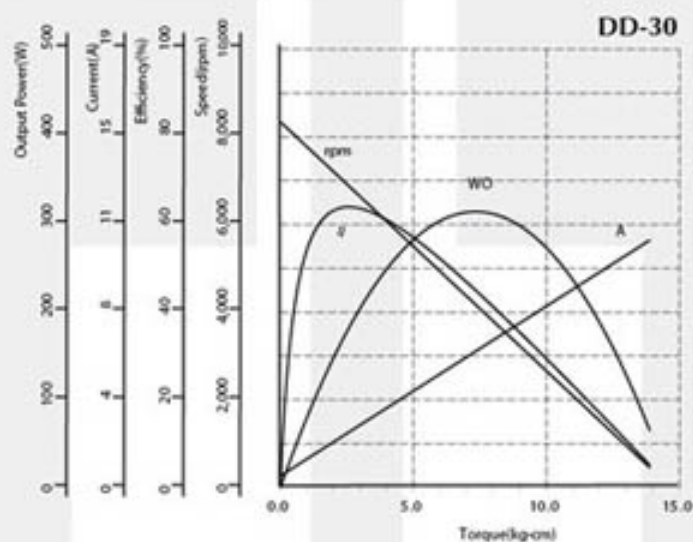
The information above is for reference only, detailed specification is subject to final confirmation



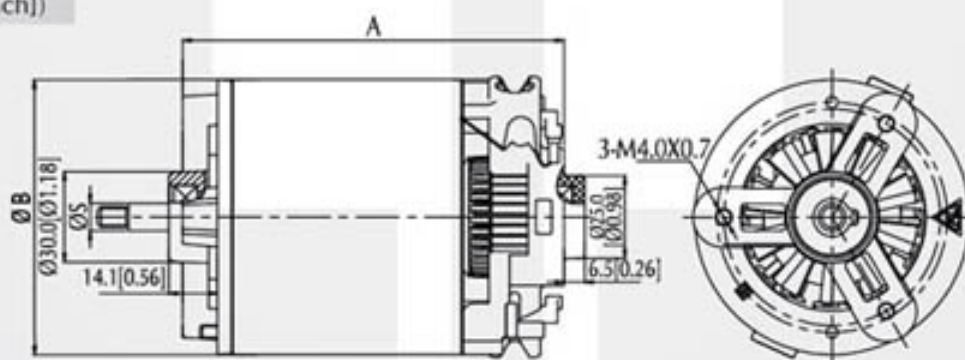
High Voltage PMDC Motor - DD Series

- Voltage : 100 - 250V DC
- Rated Speed : 3,000 - 13,000rpm
- Rated Torque : 2.20 - 3.93kg-cm[1.91 - 3.41lb-in]
- Rated Input Power : 100 - 600W
- Insulation Class : A, E, B, F, H
- Motor Diameter : Ø80mm[3.15inch]&Ø85mm[3.46inch]
- Typical Application : Juice Extractor, Stand Mixer, Pasta Maker, Food Processor

Performance Curve



Dimension (mm[inch])



Performance (testing under room temperature)

Model	Dim A mm[inch]	Dim B mm[inch]	Dim S mm[inch]	Rated Voltage (V DC)	No Load		At Maximum Efficiency				Maximum Power			
					Speed (rpm)	Current (A)	Speed (rpm)	Current (A)	Torque (kg-cm)[lb-in]	Output (W)	Speed (rpm)	Current (A)	Torque (kg-cm)[lb-in]	Output (W)
DD-20	100[3.94]	80[3.15]	8[0.31]	230	11,250	0.36	8,550	1.5	2.20[1.91]	193.2	3,930	7.0	12.3[10.7]	496
DD-25	103[4.06]	80[3.15]	8[0.31]	230	10,950	0.44	8,850	1.3	2.20[1.91]	200	3,750	7.6	15.0[13.0]	577.7
DD-30	111[4.37]	80[3.15]	8[0.31]	120	8,340	0.50	6,580	2.75	3.10[2.70]	209.5	4,170	5.8	7.3[6.3]	315
DD-50	125[4.92]	85[3.46]	10[0.39]	120	3,120	0.09	2,820	1.0	3.93[3.41]	116	1,550	5.7	23.6[20.5]	375.6

The information above is for reference only, detailed specification is subject to final confirmation

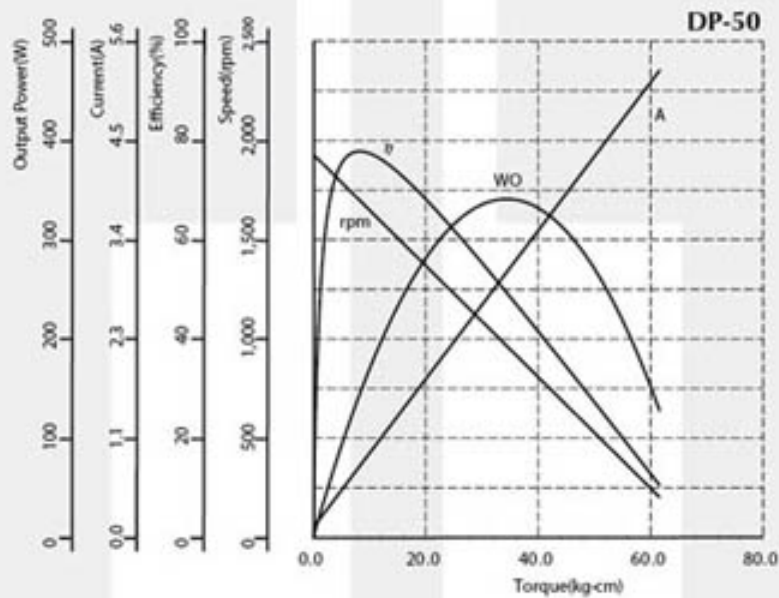
Permanent Magnet DC Motors, Brushless Motors, Servo Motors, Stepper Motors, Gear Motors, Planetary Gearboxes, AC Motors, Motor Drives, Motor Controllers, Motor Enclosures, Motor Mounting, Motor Accessories



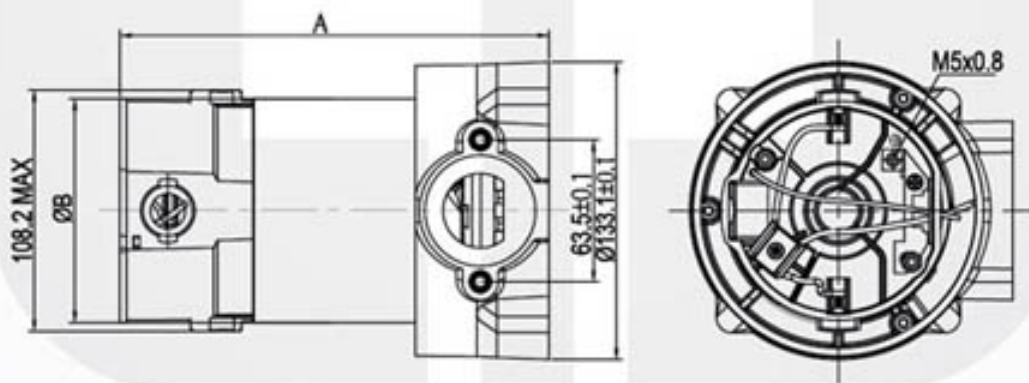
High Voltage PMDC Motor - DP Series

Voltage : 100 - 250V DC
 Rated Speed : 1,500 - 10,000rpm
 Rated Torque : 8.2kg-cm[7.12lb-in]
 Rated Input Power : 70 - 1000W
 Insulation Class : A, B
 Motor Diameter : $\varnothing 100\text{mm}$ [3.9inch]
 Typical Application : Food Waste Disposer

Performance Curve



Dimension (mm[inch])



Performance (testing under room temperature)

Model	Dim A mm[inch]	Dim B mm[inch]	Dim S mm[inch]	Rated Voltage (V DC)	No Load		At Maximum Efficiency				Maximum Power			
					Speed (rpm)	Current (A)	Speed (rpm)	Current (A)	Torque (kg-cm[lb-in])	Output (W)	Speed (rpm)	Current (A)	Torque (kg-cm[lb-in])	Output (W)
DP-50	150[5.9]	100[3.9]	/	230	1,930	0.11	1,700	0.8	8.2[7.12]	143	965	3.0	35[30.38]	341

The information above is for reference only, detailed specification is subject to final confirmation

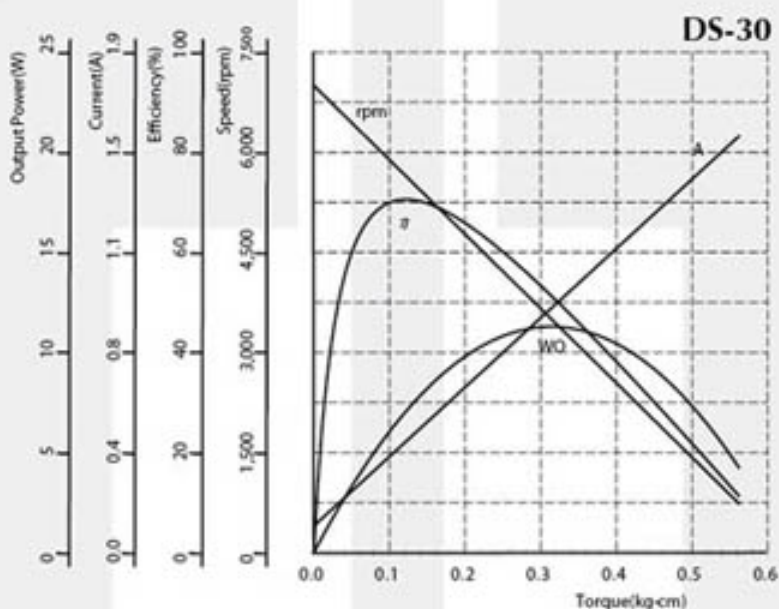


Encoder Motor - DS Series

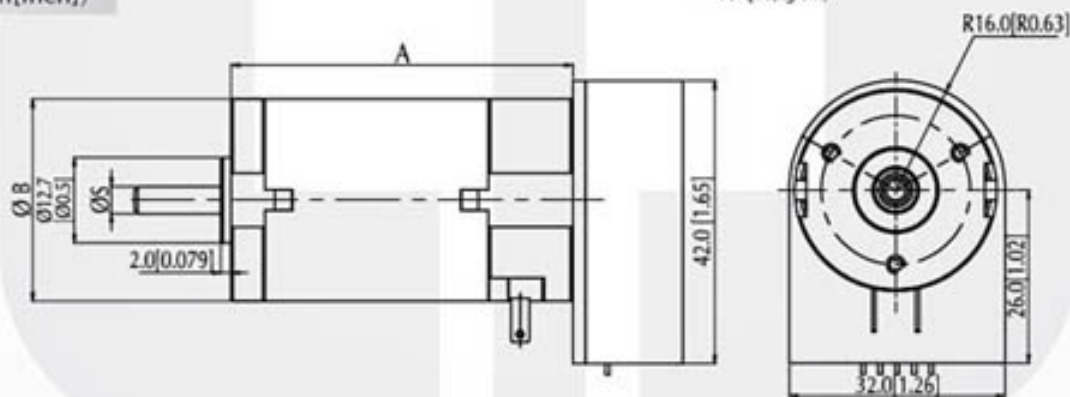
Voltage : 12 - 24V DC
 Rated Speed : 3,000 - 6,000rpm
 Rated Torque : 0.1 - 0.6kg-cm[0.09 - 0.52lb-in]
 Rated Input Power : 2 - 80W
 Insulation Class : A, E
 Motor Diameter : Ø26 - 40mm[1.02 - 1.57inch]
 Typical Application : Office Equipment, Vending Machine, Data Storage System, Laboratory Equipment, Medical Diagnostic Systems

*Encoder is available to request

Performance Curve



Dimension (mm[inch])



Performance (testing under room temperature)

Model	Dim A mm[inch]	Dim B mm[inch]	Dim S mm[inch]	Rated Voltage (V DC)	No Load		At Maximum Efficiency				Maximum Power			
					Speed (rpm)	Current (A)	Speed (rpm)	Current (A)	Torque (kg-cm)[lb-in]	Output (W)	Speed (rpm)	Current (A)	Torque (kg-cm)[lb-in]	Output (W)
DS-26	46.5[1.83]	26[1.02]	4.0[0.16]	12	6,600	0.20	5,597	0.74	0.1[0.09]	5.75	3,230	2.5	0.4[0.35]	13.3
DS-30	50.7[2.0]	30[1.18]	4.0[0.16]	24	7,000	0.10	5,885	0.36	0.1[0.09]	6.04	3,502	0.9	0.3[0.26]	11.3
DS-35	78.0[3.07]	35[1.38]	4.0[0.16]	12	2,660	0.12	2,239	1.15	0.4[0.35]	9.2	1,323	3.0	1.2[1.04]	16.3
DS-40	85.0[3.35]	40[1.57]	4.0[0.16]	24	4,800	0.13	4,064	1.40	0.6[0.52]	25.0	2,288	4.8	2.4[2.08]	56.4

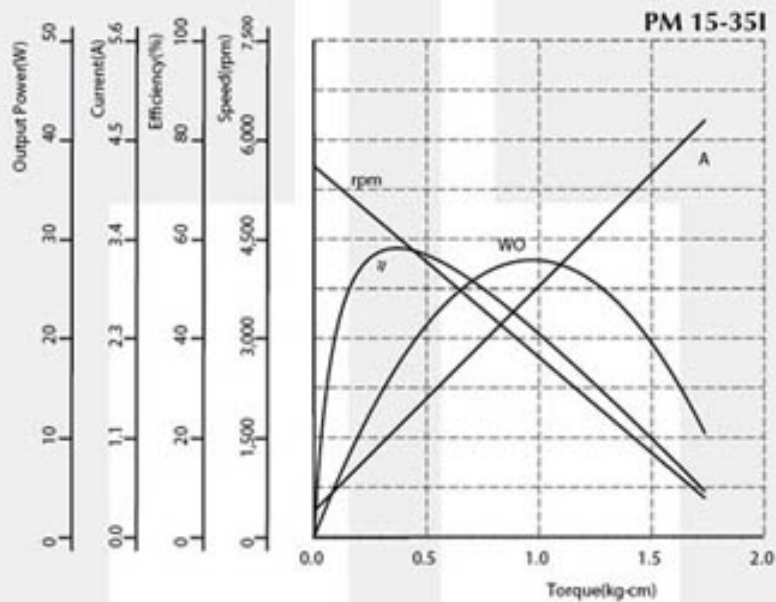
The information above is for reference only, detailed specification is subject to final confirmation



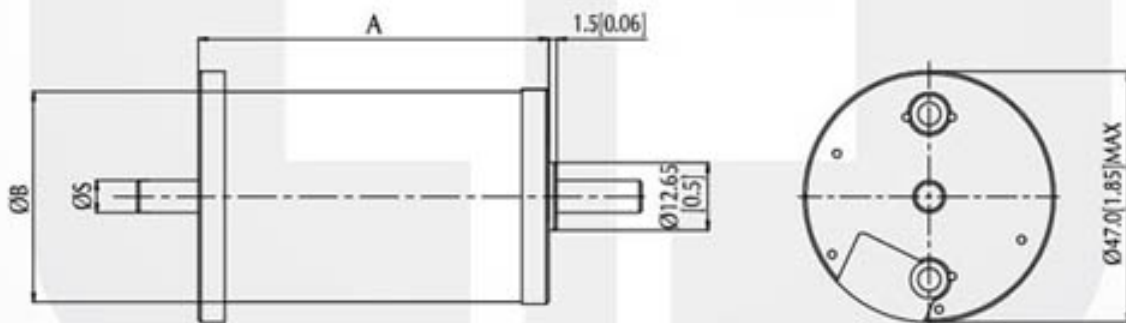
Industrial PMDC Motor - PM15R Series

Voltage : 12 - 48V DC
 Rated Speed : 4,300 - 7,200rpm
 Rated Torque : 0.20 - 0.38kg-cm[0.20 - 0.33lb-in]
 Rated Input Power : 14 - 120W
 Insulation Class : A, E, B
 Motor Diameter : $\varnothing 40.4\text{mm}$ [1.59inch]
 Typical Application : Air/Water Pump, Stamping Machine

Performance Curve



Dimension (mm[inch])



Performance (testing under room temperature)

Model	Dim A mm[inch]	Dim B mm[inch]	Dim S mm[inch]	Rated Voltage (V DC)	No Load		At Maximum Efficiency				Maximum Power			
					Speed (rpm)	Current (A)	Speed (rpm)	Current (A)	Torque (kg-cm)[lb-in]	Output (W)	Speed (rpm)	Current (A)	Torque (kg-cm)[lb-in]	Output (W)
PM15R-35I	100.4[3.95]	40.4[1.59]	6.0[0.24]	24	5,600	0.29	4,502	1.26	0.38[0.33]	17.6	2,800	2.8	1.00[0.87]	27.9
PM15R-24M	65.60[2.56]	40.4[1.59]	6.0[0.24]	48	6,106	0.1	4,996	0.48	0.29[0.25]	14.88	3,004	1.17	0.80[0.69]	24.7
PM15R-21F	86.00[3.39]	40.4[1.59]	6.0[0.24]	12	5,107	0.3	4,171	1.36	0.20[0.20]	8.6	2,575	3.05	0.59[0.51]	15.6
PM15R-24I	65.60[2.58]	40.4[1.59]	6.0[0.24]	24	5,500	0.3	4,483	0.8	0.26[0.23]	12.0	2,696	1.91	0.71[0.62]	19.66

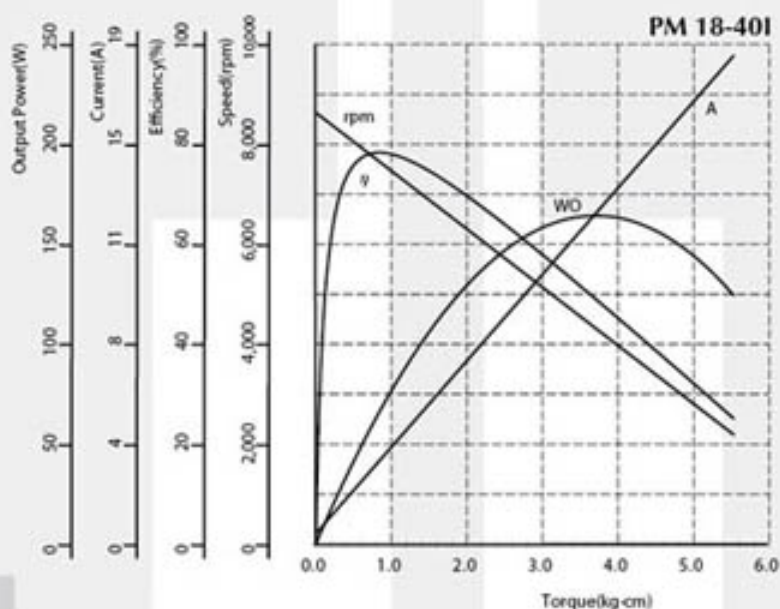
The information above is for reference only, detailed specification is subject to final confirmation



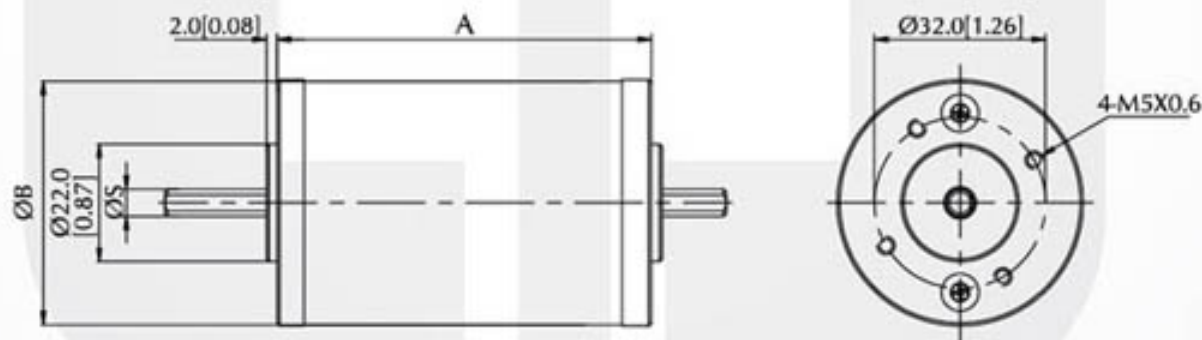
Industrial PMDC Motor - PM18R Series

Voltage : 12 - 48V DC / 100 - 250V DC
 Rated Speed : 2,000 - 6,000rpm
 Rated Torque : 0.12 - 0.54kg-cm[0.10 - 0.47lb-in]
 Rated Input Power : 10 - 130W
 Insulation Class : A, E, B
 Motor Diameter : $\varnothing 45.3\text{mm}$ [1.78inch]
 Typical Application : Air/Water Pump, Stamping Machine

Performance Curve



Dimension (mm[inch])



Performance (testing under room temperature)

Model	Dim A mm[inch]	Dim B mm[inch]	Dim S mm[inch]	Rated Voltage (V DC)	No Load		At Maximum Efficiency				Maximum Power			
					Speed (rpm)	Current (A)	Speed (rpm)	Current (A)	Torque (kg-cm)[lb-in]	Output (W)	Speed (rpm)	Current (A)	Torque (kg-cm)[lb-in]	Output (W)
PM18R-20Q	78.7[3.10]	45.3[1.78]	5.0[0.20]	220	4,203	0.02	2,640	0.042	0.12[0.10]	3.25	1,706	0.06	0.62[0.54]	10.86
PM18R-20J	78.7[3.10]	45.3[1.78]	5.0[0.20]	100	4,297	0.05	3,695	0.15	0.27[0.23]	10.25	2,180	0.42	0.84[0.73]	18.8
PM18R-20I	66.0[2.60]	45.3[1.78]	5.0[0.20]	24	6,500	0.30	5,436	1.3	0.37[0.32]	20.66	3,192	3.44	1.11[0.96]	36.4
PM18R-40I	100.0[4.0]	45.3[1.78]	5.0[0.20]	27	8,634	0.40	8,005	2.15	0.54[0.47]	44.4	4,317	12.4	3.70[3.20]	164

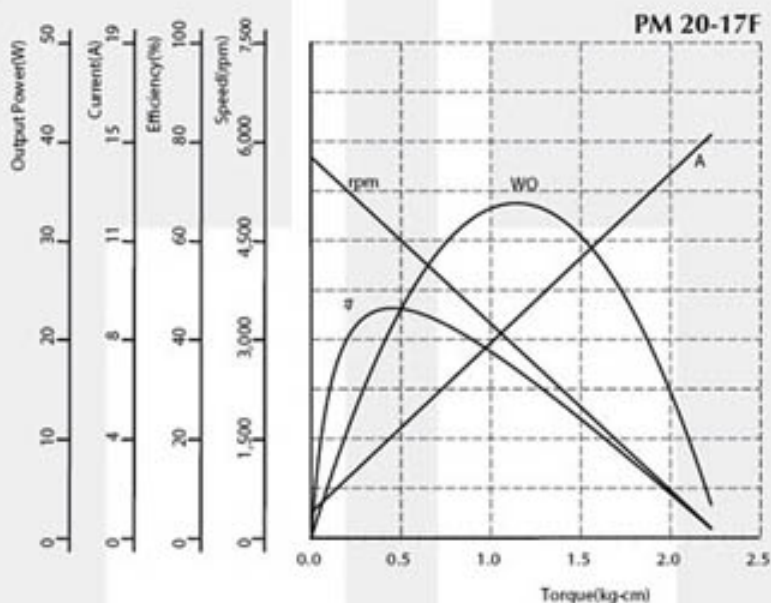
The information above is for reference only, detailed specification is subject to final confirmation



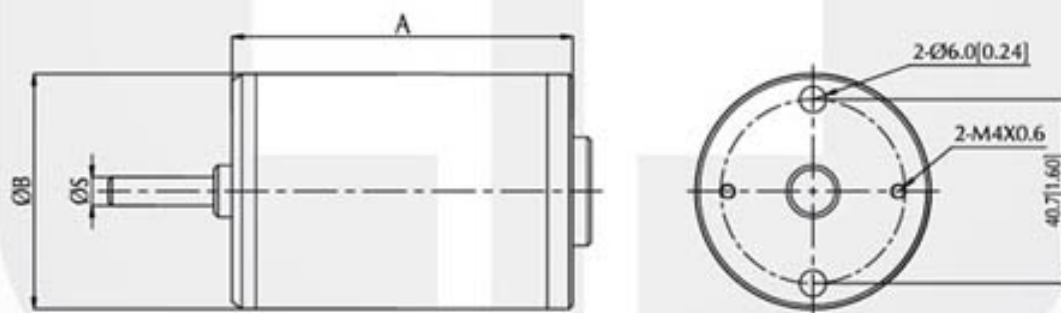
Industrial PMDC Motor - PM20R Series

Voltage : 12 - 230V DC
 Rated Speed : 1,900 - 8,500rpm
 Rated Torque : 0.28 - 1.67kg-cm[0.24 - 1.45lb-in]
 Rated Input Power : 10 - 140W
 Insulation Class : A, E, B
 Motor Diameter : $\varnothing 52.4\text{mm}$ [2.06inch]
 Typical Application : Stamping Machine, Hydraulic Pump, Air/Water Pump, Massage Device

Performance Curve



Dimension (mm[inch])



Performance (testing under room temperature)

Model	Dim A mm[inch]	Dim B mm[inch]	Dim S mm[inch]	Rated Voltage (V DC)	No Load		At Maximum Efficiency				Maximum Power			
					Speed (rpm)	Current (A)	Speed (rpm)	Current (A)	Torque (kg-cm)[lb-in]	Output (W)	Speed (rpm)	Current (A)	Torque (kg-cm)[lb-in]	Output (W)
PM20R-20I	69[2.72]	52.4[2.06]	6.35[0.25]	24	2,469	0.12	1,925	0.44	0.28[0.24]	5.54	1,235	0.85	0.63[0.55]	8
PM20R-17F	58.5[2.3]	52.4[2.06]	6.35[0.25]	12	5,760	0.95	4,877	3.2	0.35[0.30]	17.53	2,880	8.3	1.16[1.01]	33.8
PM20R-21R	73.5[2.89]	52.4[2.06]	6.35[0.25]	230	6,670	0.04	4,635	0.24	0.49[0.43]	23.32	2,766	0.49	1.30[1.13]	37
PM20R-38F	85.5[3.37]	52.4[2.06]	6.35[0.25]	12	10,000	3.00	8,660	18.4	1.67[1.45]	148.5	5,004	55	5.45[4.73]	280

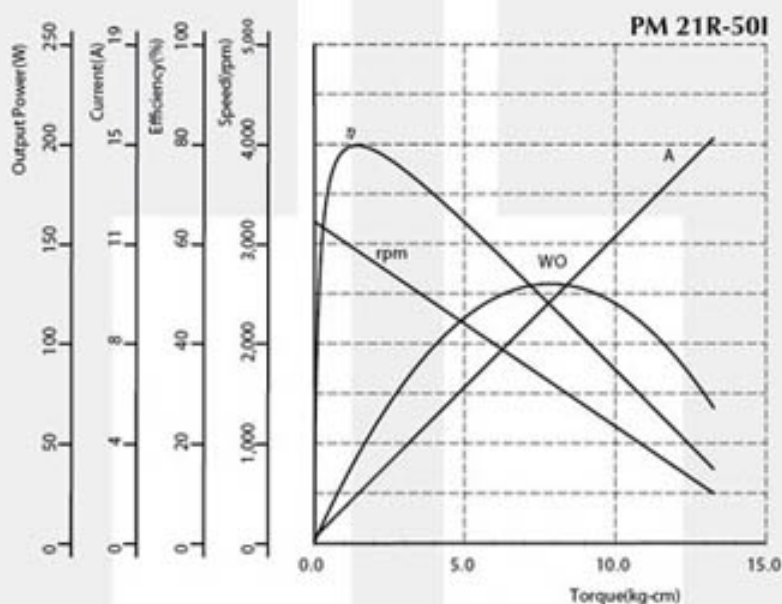
The information above is for reference only, detailed specification is subject to final confirmation



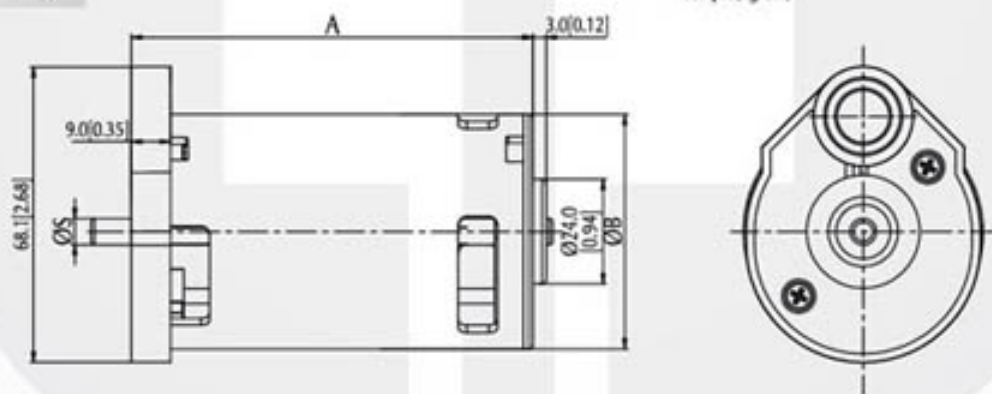
Industrial PMDC Motor - PM21R Series

- Voltage : 12 - 120V DC
- Rated Speed : 2,000 - 16,400rpm
- Rated Torque : 1.52 - 1.91kg-cm[1.32 - 1.66lb-in]
- Rated Input Power : 24 - 300W
- Insulation Class : A, E, B
- Motor Diameter : Ø54.5mm[2.15inch]
- Typical Application : Air/Water Pump, Stamping Machine, TV Stand, Electric Drill, Drilling Machine

Performance Curve



Dimension (mm[inch])



Performance (testing under room temperature)

Model	Dim A mm[inch]	Dim B mm[inch]	Dim S mm[inch]	Rated Voltage (V DC)	No Load		At Maximum Efficiency				Maximum Power			
					Speed (rpm)	Current (A)	Speed (rpm)	Current (A)	Torque (kg-cm)[lb-in]	Output (W)	Speed (rpm)	Current (A)	Torque (kg-cm)[lb-in]	Output (W)
PM21R-29F	88.3[3.48]	54.5[2.15]	8.0[0.31]	12	20,907	9.28	17,144	38.12	1.53[1.33]	269.4	10,453	89.38	4.25[3.69]	456.2
PM21R-33I	90.2[3.55]	54.5[2.15]	8.0[0.31]	24	16,564	3.0	13,913	14.12	1.52[1.32]	217.2	8,281	37.7	4.73[4.11]	402
PM21R-50I	110.2[4.34]	54.5[2.15]	8.0[0.31]	30	3,227	0.18	2,904	1.96	1.57[1.36]	46.8	1,613	9.07	7.84[6.80]	130
PM21R-50J	108.7[4.28]	54.5[2.15]	8.0[0.31]	100	4,652	0.1	4,187	1.02	1.91[1.66]	82.1	2,326	4.71	9.56[8.28]	228.4

The information above is for reference only, detailed specification is subject to final confirmation

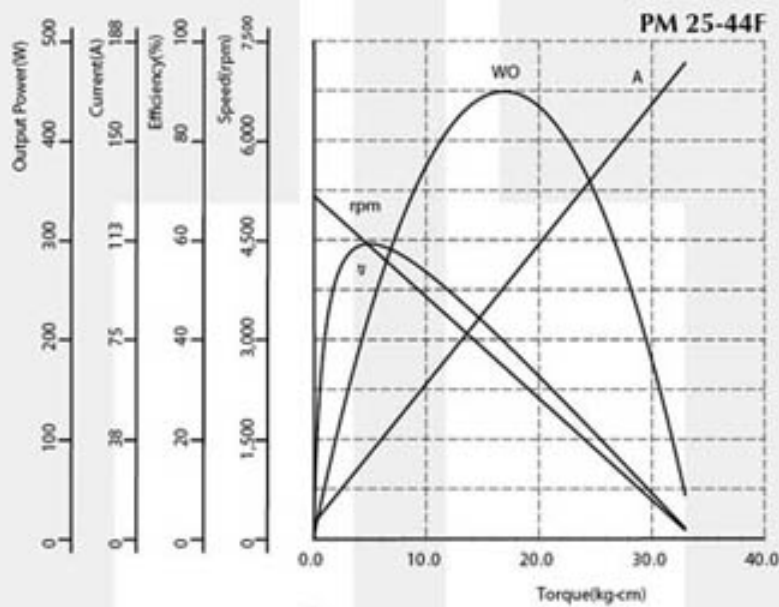
Permanent Magnet DC Motors, Brushless Motors, Servo Motors, Stepper Motors, AC Motors, Gear Motors, Special Motors, Custom Motors, Industrial Motors, Air Motors, Vibration Motors, Linear Actuators



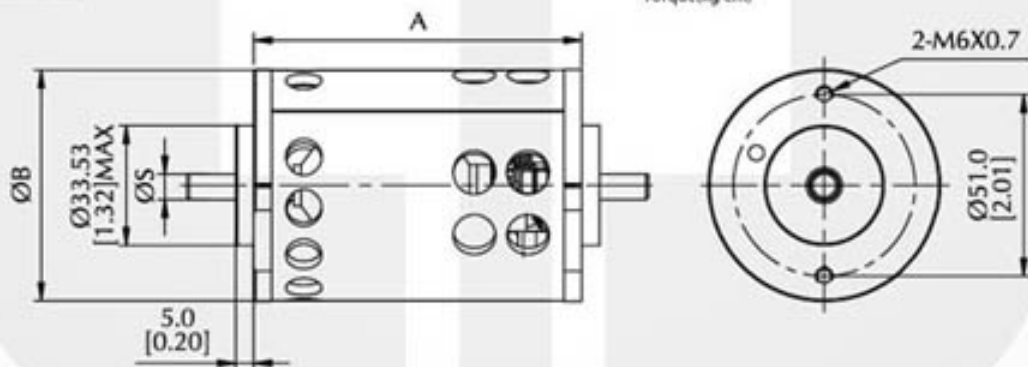
Industrial PMDC Motor - PM25R Series

Voltage : 12 - 230V DC
 Rated Speed : 800 - 5,600rpm
 Rated Torque : 0.81 - 2.75kg-cm[0.70 - 2.39lb-in]
 Rated Input Power : 10 - 400W
 Insulation Class : A, E, B
 Motor Diameter : $\text{O}65\text{mm}[2.56\text{inch}]$
 Typical Application : Massager, Vibrator, Pump, Diesel Pump, Hydraulic Pump, Polisher, Chemical Pump, Door Opener, Winch

Performance Curve



Dimension (mm[inch])



Performance (testing under room temperature)

Model	Dim A mm[inch]	Dim B mm[inch]	Dim S mm[inch]	Rated Voltage (V DC)	No Load		At Maximum Efficiency				Maximum Power			
					Speed (rpm)	Current (A)	Speed (rpm)	Current (A)	Torque (kg-cm)[lb-in]	Output (W)	Speed (rpm)	Current (A)	Torque (kg-cm)[lb-in]	Output (W)
PM25R-44F	109.6[4.31]	65[2.56]	7.93[0.31]	12	5,176	5.5	4,755	20	2.75[2.39]	134.3	2,588	94.6	16.9[14.7]	449.3
PM25R-22F	118.7[4.67]	65[2.56]	7.93[0.31]	12	6,175	3.4	5,187	17.18	2.47[2.14]	131.57	3,087	46.41	7.67[6.66]	243.2
PM25R-40R	99.1[3.90]	65[2.56]	7.93[0.31]	230	3,046	0.05	2,619	0.29	1.73[1.50]	46.5	1,523	0.91	6.18[5.36]	96.7
PM25R-30F	111.6[4.39]	65[2.56]	7.93[0.31]	12	1,144	0.32	892	1.21	0.81[0.70]	7.42	572	2.34	1.83[1.59]	10.75

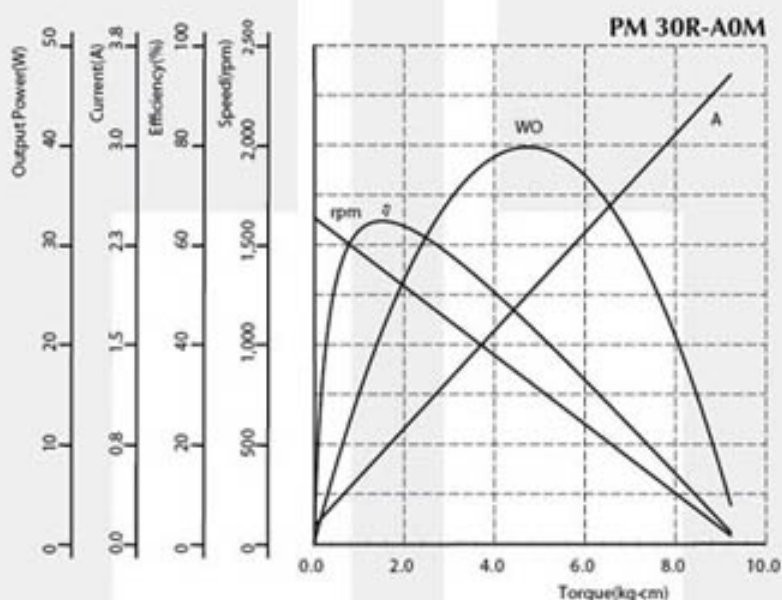
The information above is for reference only, detailed specification is subject to final confirmation



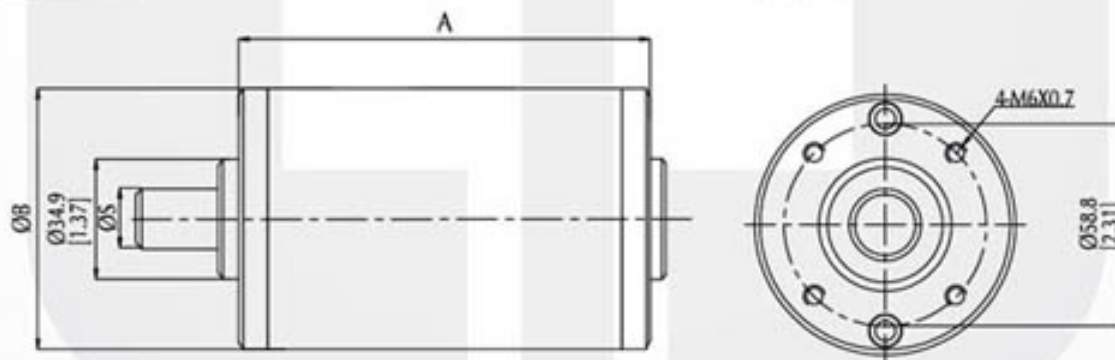
Industrial PMDC Motor - PM30R Series

Voltage : 12 - 220V DC
 Rated Speed : 1,400 - 6,000rpm
 Rated Torque : 1.47 - 8.20kg-cm[1.28 - 7.12lb-in]
 Rated Input Power : 30 - 1200W
 Insulation Class : A, E, B
 Motor Diameter : Ø78.9mm[3.11inch]
 Typical Application : Hydraulic Pump, Water Pump, Winding Machine, Stamping Machine, Door Opener, Winch, Drilling, Ice Machine, Machine, Conveyor Belt, Convertible Top, Machine Tool, Polisher

Performance Curve



Dimension (mm[inch])



Performance (testing under room temperature)

Model	Dim A mm[inch]	Dim B mm[inch]	Dim S mm[inch]	Rated Voltage (V DC)	No Load		At Maximum Efficiency				Maximum Power			
					Speed (rpm)	Current (A)	Speed (rpm)	Current (A)	Torque (kg-cm[lb-in])	Output (W)	Speed (rpm)	Current (A)	Torque (kg-cm[lb-in])	Output (W)
PM30R-A0F	117.9[4.64]	78.9[3.11]	8.0[0.31]	12	5,496	6.8	4,757	51.06	8.20[7.12]	400	2,697	151.29	32.70[28.38]	905.7
PM30R-A0M	193.3[7.61]	78.9[3.11]	8.0[0.31]	48	1,638	0.13	1,361	0.72	1.60[1.39]	22.4	810	1.97	4.70[4.10]	39.1
PM30R-35L	135.1[5.32]	78.9[3.11]	8.0[0.31]	115	2,039	0.1	1,809	0.35	1.47[1.28]	27.3	1,052	1.1	5.20[4.51]	56.2

The information above is for reference only, detailed specification is subject to final confirmation

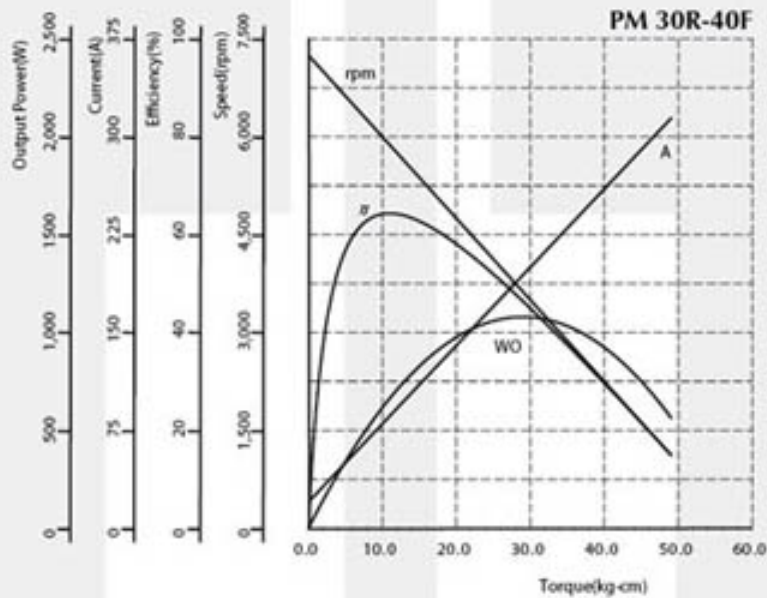
Permanent Magnet DC Motors
 Servo Motors
 Brushless DC Motors
 AC Motors
 Gear Motors
 Stepper Motors
 Hydraulic Motors
 Pneumatic Motors
 Linear Actuators



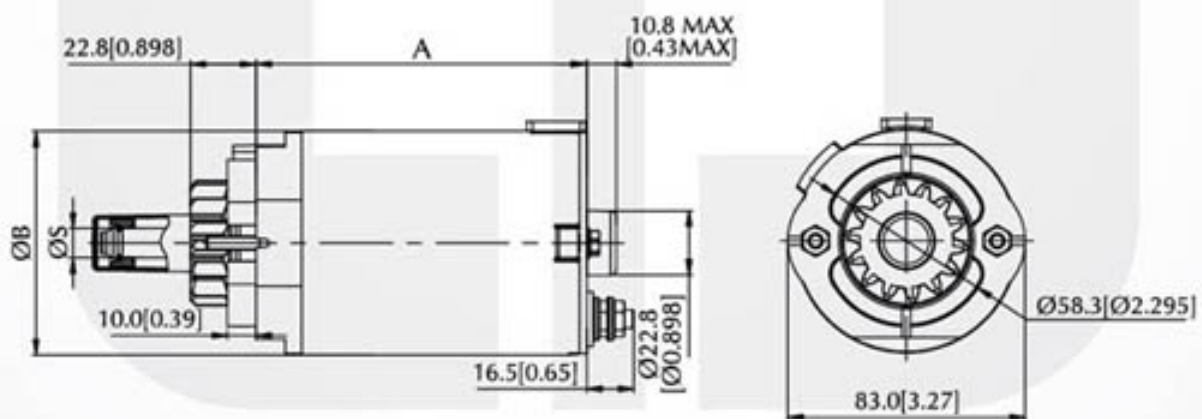
Industrial PMDC Motor - PM30R (Starter Motor) Series

Voltage : 12V DC
 Rated Speed : 3,000 - 7,250rpm
 Rated Torque : 10.0kg-cm[8.7lb-in]
 Rated Input Power : 650 - 1,200W
 Insulation Class : H
 Motor Diameter : Ø78.8mm[3.10inch]
 Typical Application : Lawn Mower

Performance Curve



Dimension (mm[inch])



Performance (testing under room temperature)

Model	Dim A mm[inch]	Dim B mm[inch]	Dim S mm[inch]	Rated Voltage (V DC)	No Load		At Maximum Efficiency				Maximum Power			
					Speed (rpm)	Current (A)	Speed (rpm)	Current (A)	Torque (kg-cm)[lb-in]	Output (W)	Speed (rpm)	Current (A)	Torque (kg-cm)[lb-in]	Output (W)
PM30R-40F	103.0[4.06]	78.80[3.10]	10.30[0.41]	12	7,250	20	6,000	80	10.0[8.70]	616	3,625	194	29.0 [25.2]	1,079.6

The information above is for reference only, detailed specification is subject to final confirmation

Email: sales@cclmotors.com Website: <http://www.cclmotors.com>
4/F, No. 6, On Lok Mun Street, On Lok Tsuen, Fanling, N.T., Hong Kong

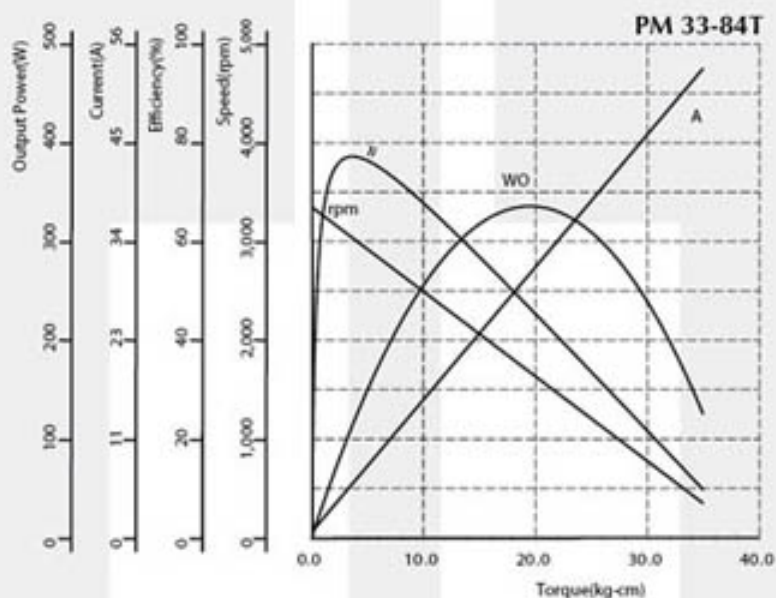
Tel: (852) 3125 0000 Fax: (852) 3125 0125



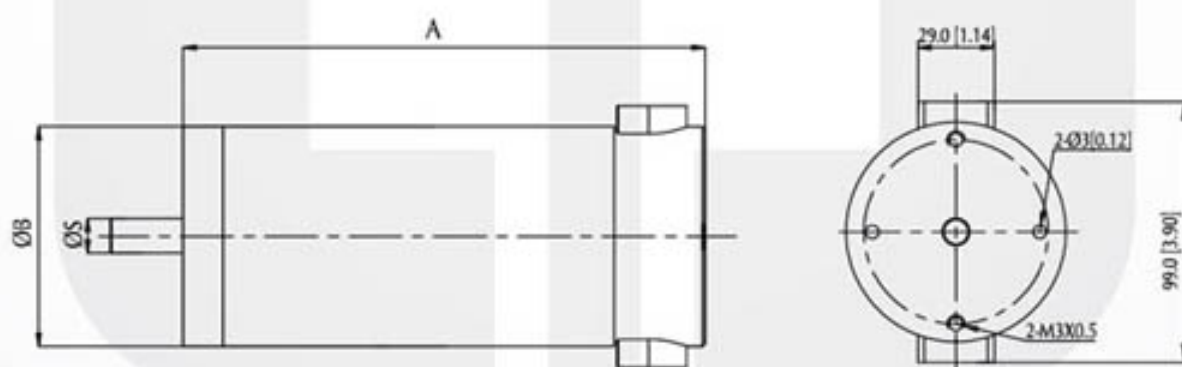
Industrial PMDC Motor - PM33R Series

Voltage : 12 - 230V DC
 Rated Speed : 1,300 - 11,000rpm
 Rated Torque : 2.64 - 5.20kg-cm[2.29 - 4.51lb-in]
 Rated Input Power : 60 - 1,500W
 Insulation Class : A, E, B
 Motor Diameter : Ø83.8mm[3.3inch]
 Typical Application : Rolling Machine, Electric Car, Hydraulic Pump, Polisher, Door Opener, Shopping Cart

Performance Curve



Dimension (mm[inch])



Performance (testing under room temperature)

Model	Dim A mm[inch]	Dim B mm[inch]	Dim S mm[inch]	Rated Voltage (V DC)	No Load		At Maximum Efficiency				Maximum Power			
					Speed (rpm)	Current (A)	Speed (rpm)	Current (A)	Torque (kg-cm)[lb-in]	Output (W)	Speed (rpm)	Current (A)	Torque (kg-cm)[lb-in]	Output (W)
PM33R-84T	171.4[6.75]	83.8[3.3]	6.0[0.24]	24	3,350	0.63	3,041	6.07	3.60 [3.12]	112.4	1,633	30.1	19.5 [16.90]	335.7
PM33R-65T	145.6[5.73]	83.8[3.3]	6.0[0.24]	27.2	7,250	1.57	6,147	15.9	5.20 [4.51]	328.3	3,415	73.26	26.3 [22.83]	922
PM33R-62L	161[6.34]	83.8[3.3]	6.0[0.24]	180	1,583	0.04	1,424	0.28	2.64 [2.29]	38.6	809	1.07	11.0 [9.55]	91.4
PM33R-A0R	197[7.76]	83.8[3.3]	6.0[0.24]	230	2,702	0.06	2,510	0.54	3.95 [3.43]	101.8	1,364	3.1	24.7 [21.44]	346

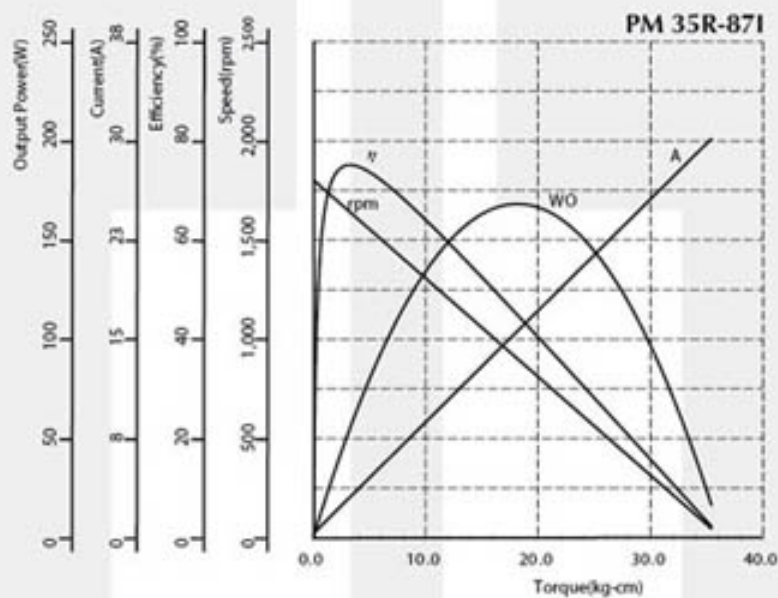
The information above is for reference only, detailed specification is subject to final confirmation



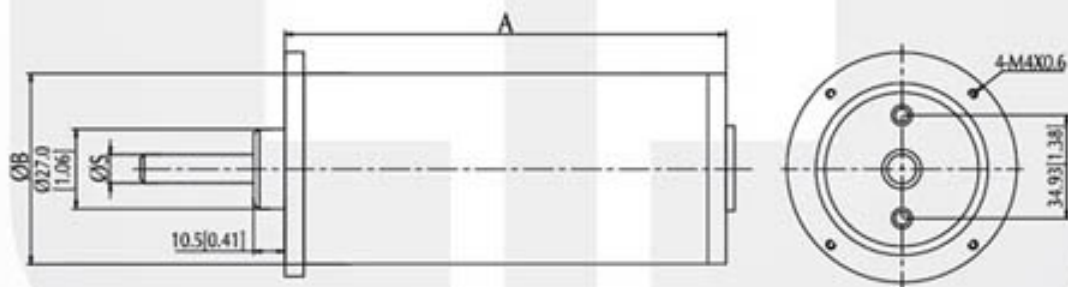
Industrial PMDC Motor - PM35R Series

Voltage : 24V DC
 Rated Speed : 1,500 - 3,500rpm
 Rated Torque : 3.0kg-cm[2.6lb-in]
 Rated Input Power : 100 - 250W
 Insulation Class : A, E, B
 Motor Diameter : $\varnothing 89\text{mm}$ [3.5inch]
 Typical Application : Water Pump, Lift

Performance Curve



Dimension (mm[inch])



Performance (testing under room temperature)

Model	Dim A mm[inch]	Dim B mm[inch]	Dim S mm[inch]	Rated Voltage (V DC)	No Load		At Maximum Efficiency				Maximum Power			
					Speed (rpm)	Current (A)	Speed (rpm)	Current (A)	Torque (kg-cm)[lb-in]	Output (W)	Speed (rpm)	Current (A)	Torque (kg-cm)[lb-in]	Output (W)
PM35R-871	168.2[6.62]	89[3.5]	10.0[0.39]	24	1,804	0.3	1,655	2.83	3.0[2.6]	51	900	15.6	18.2[15.80]	168.2
PM35R-901	171.4[6.75]	89[3.5]	10.0[0.39]	24	3,087	0.54	2,981	4.64	3.0[2.6]	91.8	1,488	21	15.3[13.28]	233.8

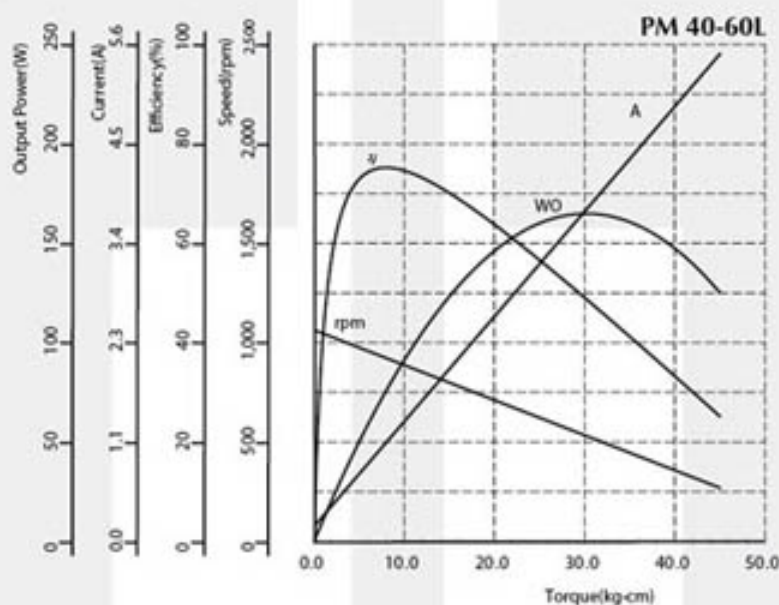
The information above is for reference only, detailed specification is subject to final confirmation



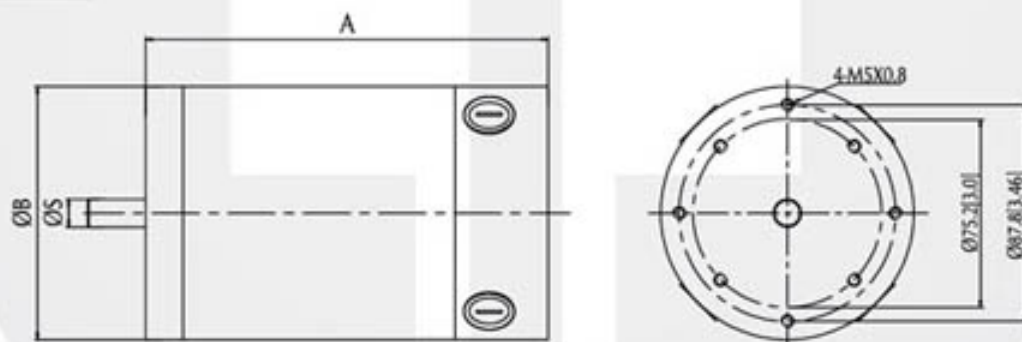
Industrial PMDC Motor - PM40R Series

Voltage : 24 - 115V DC
 Rated Speed : 800 - 15,000rpm
 Rated Torque : 7.83 - 13.10kg-cm[6.80 - 11.37lb-in]
 Rated Input Power : 300 - 2,000W
 Insulation Class : A, E, B
 Motor Diameter : \varnothing 102.6mm[4.04inch]
 Typical Application : Lift

Performance Curve



Dimension (mm[inch])



Performance (testing under room temperature)

Model	Dim A mm[inch]	Dim B mm[inch]	Dim S mm[inch]	Rated Voltage (V DC)	No Load		At Maximum Efficiency				Maximum Power			
					Speed (rpm)	Current (A)	Speed (rpm)	Current (A)	Torque (kg-cm[lb-in])	Output (W)	Speed (rpm)	Current (A)	Torque (kg-cm[lb-in])	Output (W)
PM40R-60L	166.1[6.54]	102.6[4.04]	9.53[0.38]	90	1,064	0.17	926	1.1	7.83[6.80]	74.5	532	3.8	30.2[26.20]	165
PM40R-65I	132.4[5.21]	102.6[4.04]	9.53[0.38]	24	5,050	3.2	4,368	21.0	8.54[7.41]	383.1	2,300	81	38.0[32.98]	897.6
PM40R-70I	165.1[6.5]	102.6[4.04]	9.53[0.38]	24	4,820	5.6	4,169	32.4	13.10[11.37]	560.9	2,200	152	80.0[69.44]	1,807

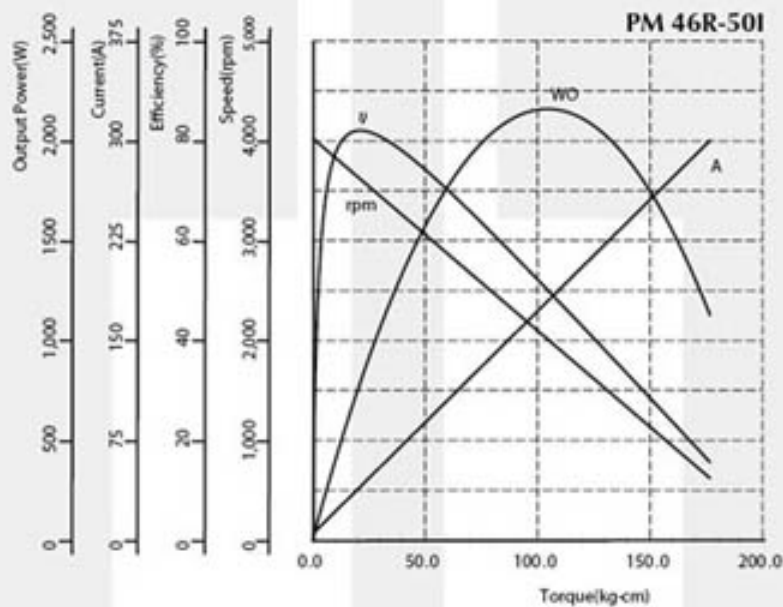
The information above is for reference only, detailed specification is subject to final confirmation

Industrial PMDC Motor - PM46R Series

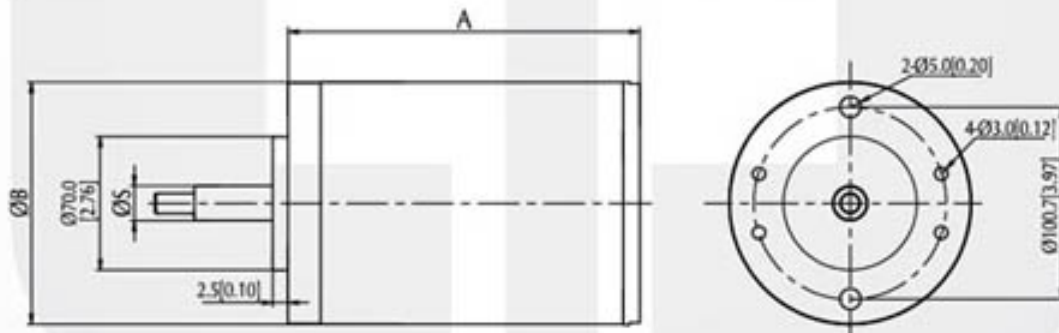


Voltage : 12 - 120V DC
 Rated Speed : 1,000 - 3,500rpm
 Rated Torque : 11.72 - 20.90kg-cm[10.17 - 18.14lb-in]
 Rated Input Power : 100 - 2,400W
 Insulation Class : A, E, B
 Motor Diameter : \varnothing 119.1mm[4.69inch]
 Typical Application : Hydraulic Pump, Polisher, Sprinkle Salt Machine, Seed/Salt Spreader

Performance Curve



Dimension (mm[inch])



Performance (testing under room temperature)

Model	Dim A mm[inch]	Dim B mm[inch]	Dim S mm[inch]	Rated Voltage (V DC)	No Load		At Maximum Efficiency				Maximum Power			
					Speed (rpm)	Current (A)	Speed (rpm)	Current (A)	Torque (kg-cm)[lb-in]	Output (W)	Speed (rpm)	Current (A)	Torque (kg-cm)[lb-in]	Output (W)
PM46R-501	160[6.3]	119.1[4.69]	15.8[0.62]	24	4,028	4.5	3,625	39.5	20.90[18.14]	778.05	2,014	179.4	104.4[90.60]	2,160
PM46R-53F	164.2[6.46]	119.1[4.69]	15.8[0.62]	12	2,940	5.5	2,588	38	11.72[10.17]	311.5	1,350	175	70.0[60.76]	970.5

The information above is for reference only, detailed specification is subject to final confirmation

Email: sales@cclmotors.com Website: <http://www.cclmotors.com>
4/F, No. 6, On Lok Mun Street, On Lok Tsuen, Fanling, N.T., Hong Kong

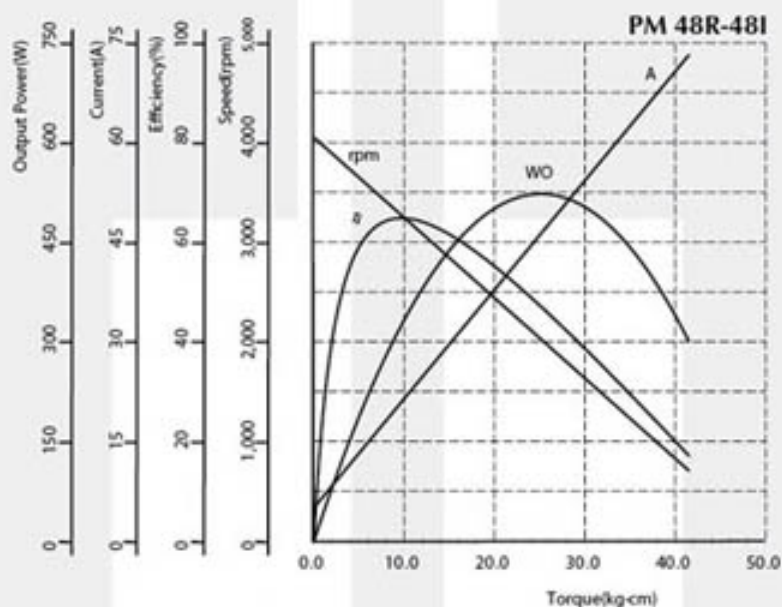
Tel: (852) 3125 0000 Fax: (852) 3125 0125



Industrial PMDC Motor - PM48R Series

Voltage : 12 - 120V DC
 Rated Speed : 600 - 3,300rpm
 Rated Torque : 9.80 - 29.30kg-cm[8.53 - 25.40lb-in]
 Rated Input Power : 300 - 2,800W
 Insulation Class : A, E, B
 Motor Diameter : $\varnothing 122.7\text{mm}$ [4.83inch]
 Typical Application : Hydraulic Pump, Vibrator, Chemical Pump

Performance Curve



Dimension (mm[inch])



Performance (testing under room temperature)

Model	Dim A mm[inch]	Dim B mm[inch]	Dim S mm[inch]	Rated Voltage (V DC)	No Load		At Maximum Efficiency				Maximum Power			
					Speed (rpm)	Current (A)	Speed (rpm)	Current (A)	Torque (kg-cm[lb-in])	Output (W)	Speed (rpm)	Current (A)	Torque (kg-cm[lb-in])	Output (W)
PM48R-481	114.8[4.52]	122.7[4.83]	17.0[0.67]	24	4,051	5.0	3,261	21.1	9.80[8.53]	328	2,026	46.3	25.1[21.80]	523
PM48R-951	209.6[8.25]	122.7[4.83]	17.0[0.67]	36	2,764	3.2	2,474	27.8	29.30[25.40]	744.2	1,355	106	130.0[112.83]	1809
PM48R-B5F	238.3[9.38]	122.7[4.83]	17.0[0.67]	12	1,870	5.94	1,664	47.3	24.68[21.42]	421.75	862	195	118.0[102.42]	1044.6

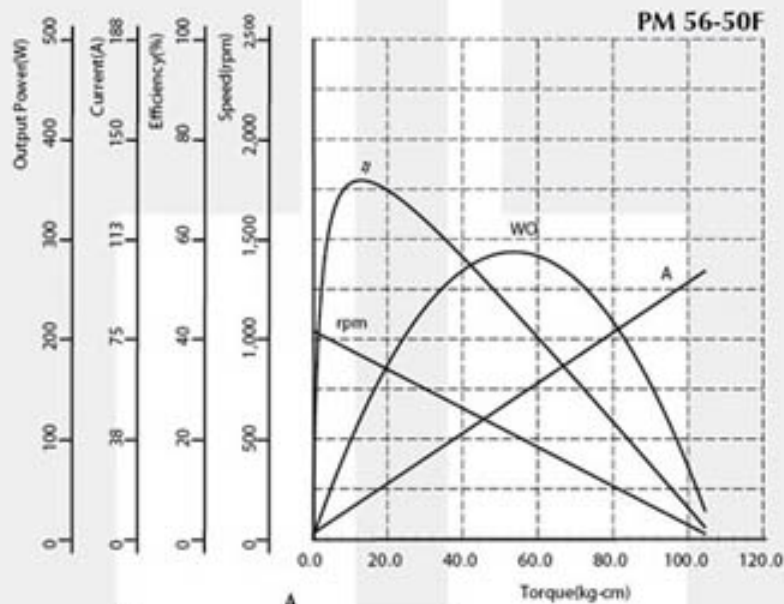
The information above is for reference only, detailed specification is subject to final confirmation



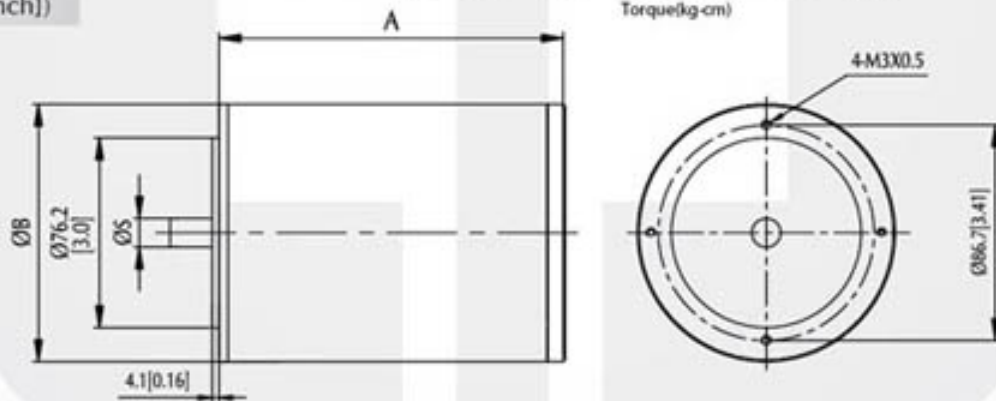
Industrial PMDC Motor - PM56R Series

Voltage : 12 - 36V DC
 Rated Speed : 800 - 4,000rpm
 Rated Torque : 12.85 - 23.36kg-cm[11.15 - 20.28lb-in]
 Rated Input Power : 400 - 3,000W
 Insulation Class : A, E, B
 Motor Diameter : \varnothing 143mm[5.63inch]
 Typical Application : Hydraulic Pump, Vibrator

Performance Curve



Dimension (mm[inch])



Performance (testing under room temperature)

Model	Dim A mm[inch]	Dim B mm[inch]	Dim S mm[inch]	Rated Voltage (V DC)	No Load		At Maximum Efficiency				Maximum Power			
					Speed (rpm)	Current (A)	Speed (rpm)	Current (A)	Torque (kg-cm[lb-in])	Output (W)	Speed (rpm)	Current (A)	Torque (kg-cm[lb-in])	Output (W)
PM56R-50F	165.1[6.5]	143[5.63]	17.0[0.67]	12	1,043	1.95	918	14.07	12.85[11.15]	121.14	522	52.35	53.30[46.26]	285.7
PM56R-55F	170.4[6.71]	143[5.63]	17.0[0.67]	12	4,797	10.63	4,317	111.38	23.36[20.28]	1,035.6	2,396	514.46	116.59[101.20]	2,868.8
PM56R-70I	200.5[7.89]	143[5.63]	17.0[0.67]	24	1,295	1.54	1,165	14.26	22.38[19.42]	267.76	648	65.08	111.53[96.80]	742

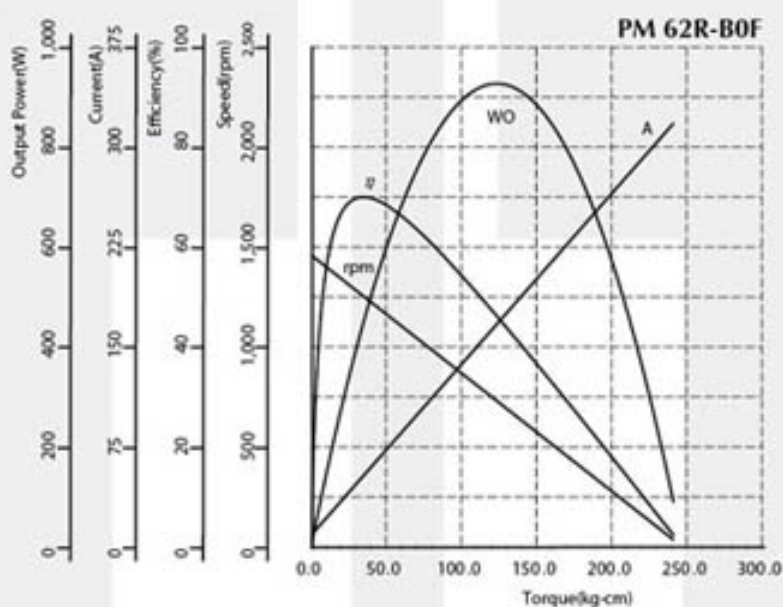
The information above is for reference only, detailed specification is subject to final confirmation



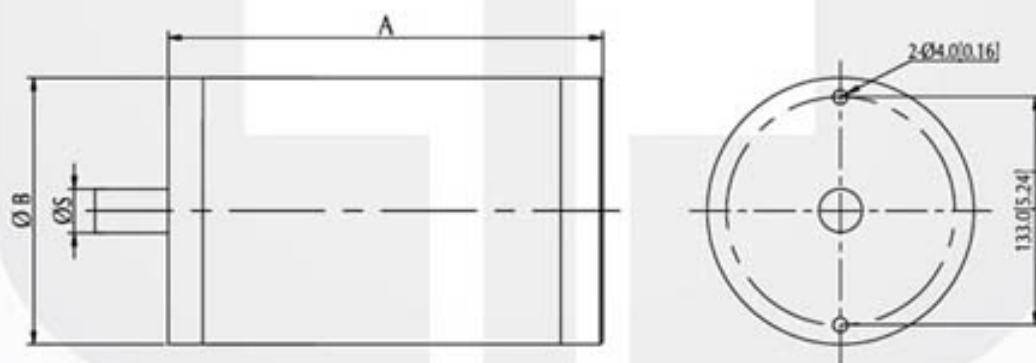
Industrial PMDC Motor - PM62R Series

Voltage : 12 - 36V DC
 Rated Speed : 950 - 3,600rpm
 Rated Torque : 34.90 - 46.89kg-cm[30.3 - 40.7lb-in]
 Rated Input Power : 160 - 3,000W
 Insulation Class : A, E, B
 Motor Diameter : \varnothing 156mm[6.14inch]
 Typical Application : Chemical Pump, Polisher

Performance Curve



Dimension (mm[inch])



Performance (testing under room temperature)

Model	Dim A mm[inch]	Dim B mm[inch]	Dim S mm[inch]	Rated Voltage (V DC)	No Load		At Maximum Efficiency			Maximum Power				
					Speed (rpm)	Current (A)	Speed (rpm)	Current (A)	Torque (kg-cm[lb-in])	Output (W)	Speed (rpm)	Current (A)	Torque (kg-cm[lb-in])	Output (W)
PM62R-B0F	209.8[8.26]	156[6.14]	11.1[0.44]	12	1,460	8.77	1,254	53.5	34.90[30.3]	449	729	167.87	123.60 [107.30]	925
PM62R-B0I	200.5[7.89]	156[6.14]	11.1[0.44]	36	1,180	1.78	1,063	18.04	46.89[40.7]	511.9	590	84.01	236.77[205.51]	1434.6

The information above is for reference only, detailed specification is subject to final confirmation

Email: sales@cclmotors.com Website: <http://www.cclmotors.com>
 4/F, No. 6, On Lok Mun Street, On Lok Tsuen, Fanling, N.T., Hong Kong

Tel: (852) 3125 0000 Fax: (852) 3125 0125

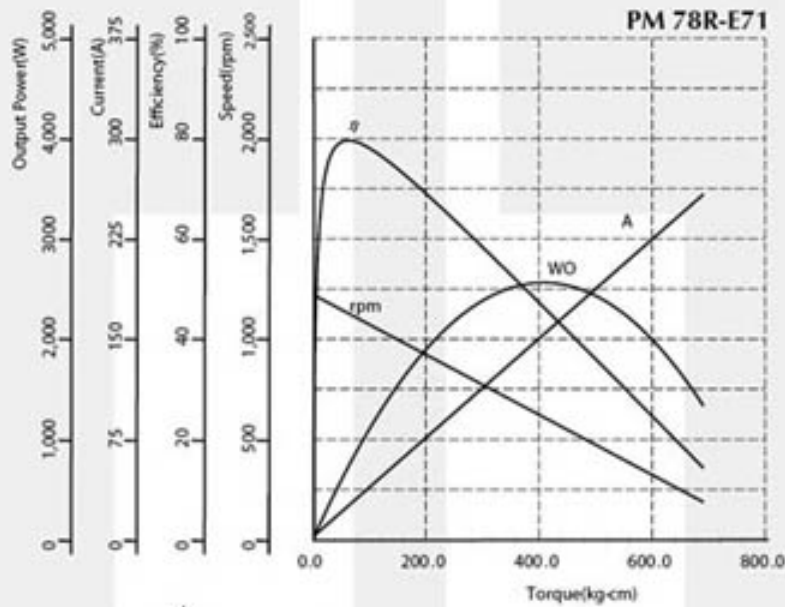
Permanent Magnet DC Motors
 Servo Motors
 Brushless DC Motors
 AC Motors
 Gear Motors
 Stepper Motors
 Linear Actuators



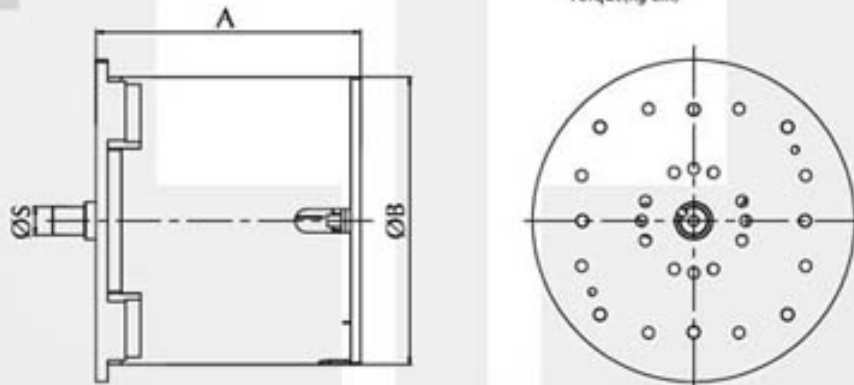
Industrial PMDC Motor - PM78R Series

Voltage : 36 - 230V DC
 Rated Speed : 500 - 2,800rpm
 Rated Torque : 65.42 - 97.20kg-cm[56.78 - 84.37lb-in]
 Rated Input Power : 350 - 3,000W
 Insulation Class : A, E, B
 Motor Diameter : \varnothing 194.3mm[7.65inch]
 Typical Application : Floor Polisher

Performance Curve



Dimension (mm[inch])



Performance (testing under room temperature)

Model	Dim A mm[inch]	Dim B mm[inch]	Dim S mm[inch]	Rated Voltage (V DC)	No Load		At Maximum Efficiency				Maximum Power			
					Speed (rpm)	Current (A)	Speed (rpm)	Current (A)	Torque (kg-cm[lb-in])	Output (W)	Speed (rpm)	Current (A)	Torque (kg-cm[lb-in])	Output (W)
PM78R-E71	196.0[7.72]	194.3[7.65]	15.0[0.59]	36	1,223	2.11	1,125	26.37	65.42[56.78]	755.82	611	154.14	408[354.30]	2,560
PM78R-E7R	177.5[6.99]	194.3[7.65]	15.0[0.59]	230	2,240	1.10	2,087	13.34	97.20[84.37]	2,083.25	1119	74	712[617.99]	8,182.06

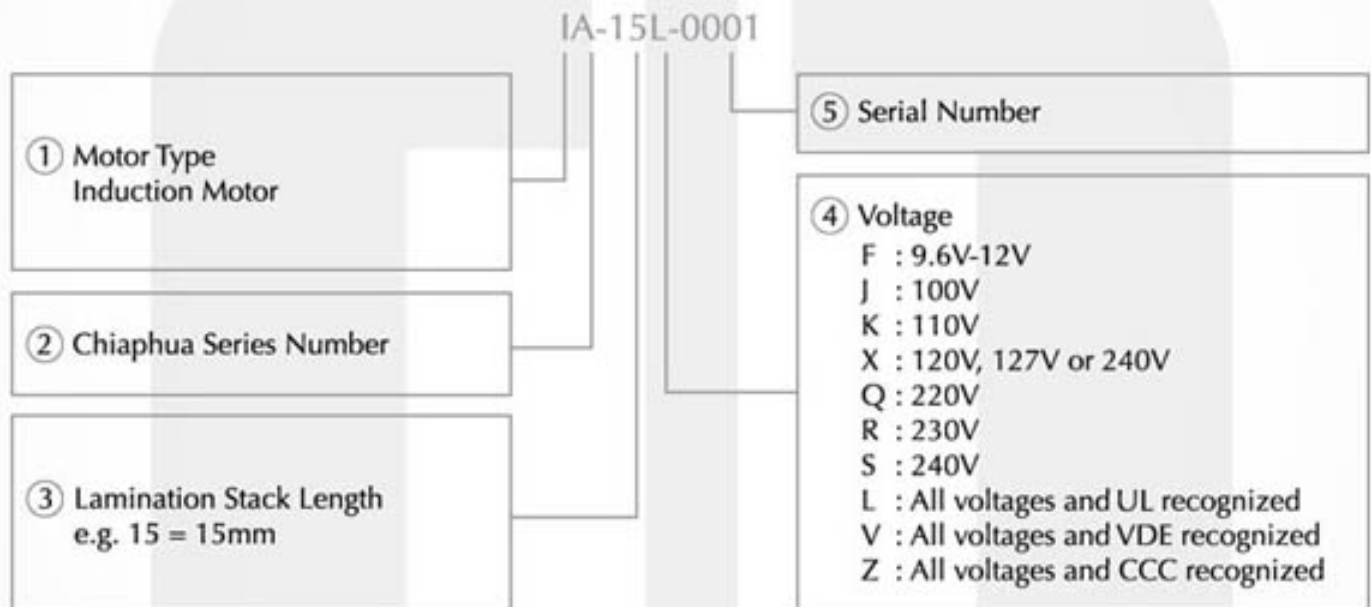
The information above is for reference only, detailed specification is subject to final confirmation

Email: sales@cclmotors.com Website: <http://www.cclmotors.com>
4/F, No. 6, On Lok Mun Street, On Lok Tsuen, Fanling, N.T., Hong Kong

Tel: (852) 3125 0000 Fax: (852) 3125 0125

Induction Motor

CCL induction motors belong to single-phase squirrel-cage type, with diameters ranging from 3.3" to 5.6" (83.8mm to 142.2mm). They are commonly used in air conditioning, food processor, garage door opener and white goods. Customized induction motors with desire dimensions and performance can also be tailor made upon request



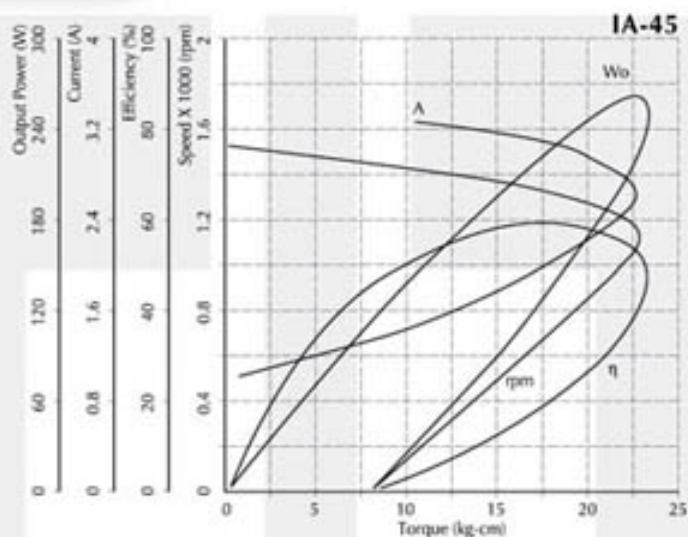
The information above is for reference only, detailed specification is subject to final confirmation



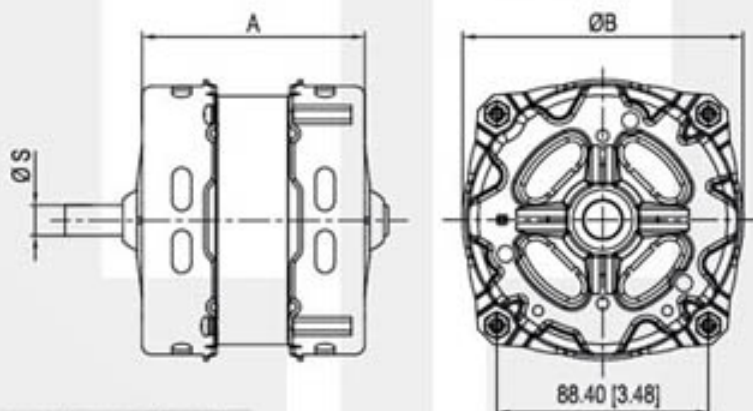
Induction Motor - IA Series

Voltage : 100 - 240V AC (50/60Hz)
 Rated Speed : 1,400rpm (4pole)
 Rated Output Power: 49 - 245W
 Insulation Class : A, E, B, F
 Motor Diameter : \varnothing 112mm[4.41inch]
 Typical Application : Ventilation Fan, Air Purifier, Garage Door Opener,
 Blower, Bread Maker

Performance Curve



Dimension (mm[inch])



Performance (testing under room temperature)

Model	Dim A mm[inch]	Dim B mm[inch]	Dim S mm[inch]	4 Pole		
				Rated Input Power (W)	Rated Output Power (W)	Breakdown Torque (kg-cm[lb-in])
IA-10	73 [2.874]	112.0 [4.409]	12.7 [0.5]	98	49	4.0 [3.48]
IA-15	78 [3.070]	112.0 [4.409]	12.7 [0.5]	135	67	5.5 [4.79]
IA-20	83 [3.268]	112.0 [4.409]	12.7 [0.5]	196	98	8.0 [6.96]
IA-25	88 [3.465]	112.0 [4.409]	12.7 [0.5]	257	128	10.5 [9.14]
IA-30	93 [3.660]	112.0 [4.409]	12.7 [0.5]	293	147	12.0 [10.44]
IA-35	98 [3.858]	112.0 [4.409]	12.7 [0.5]	367	183	15.0 [13.05]
IA-40	103 [4.055]	112.0 [4.409]	12.7 [0.5]	416	208	17.0 [14.79]
IA-45	108 [4.252]	112.0 [4.409]	12.7 [0.5]	489	245	20.0 [17.40]

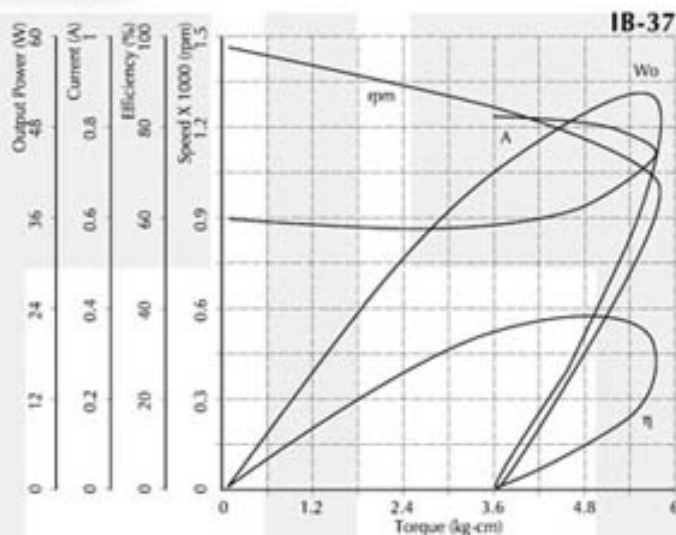
The information above is for reference only, detailed specification is subject to final confirmation



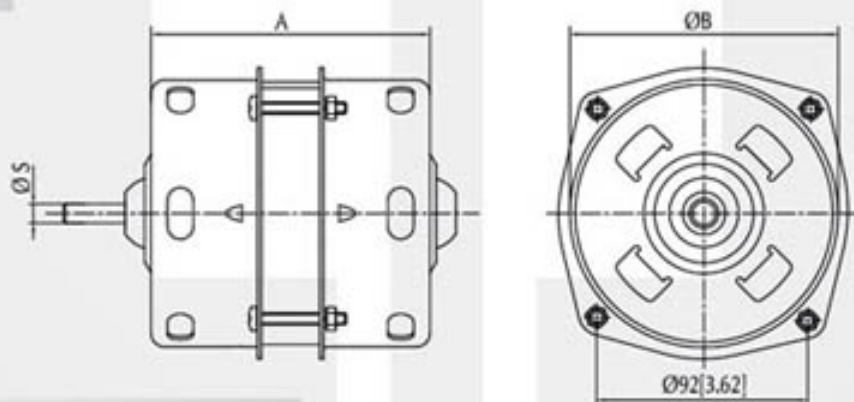
Induction Motor - IB Series

Voltage : 100 - 240V AC (50/60Hz)
 Rated Speed : 3,000rpm (2pole), 1,400rpm (4pole)
 Rated Output Power: 24 - 131W
 Insulation Class : A, E, B, F
 Motor Diameter : $\varnothing 82.4\text{mm}$ [3.24inch]
 Typical Application : Ventilation Fan, Air Freshener, Slicer, Pump, Massager

Performance Curve



Dimension (mm[inch])



Performance (testing under room temperature)

Model	Dim A mm[inch]	Dim B mm[inch]	Dim S mm[inch]	2 Pole			4 Pole		
				Rated Input Power (W)	Rated Output Power (W)	Breakdown Torque (kg-cm)[lb-in]	Rated Input Power (W)	Rated Output Power (W)	Breakdown Torque (kg-cm)[lb-in]
IB-15	71 [2.80]	82.4 [3.24]	10 [0.39]	71	26	1.0[0.87]	61	24	2.0 [1.74]
IB-20	76 [2.99]	82.4 [3.24]	10 [0.39]	92	34	1.3[1.13]	76	31	2.5 [2.18]
IB-25	81 [3.19]	82.4 [3.24]	10 [0.39]	120	45	1.7[1.48]	92	37	3.0 [2.61]
IB-30	86 [3.39]	82.4 [3.24]	10 [0.39]	142	52	2.0[1.74]	116	46	3.8 [3.31]
IB-37	93 [3.66]	82.4 [3.24]	10 [0.39]	212	79	3.0[2.61]	144	57	4.7 [4.09]
IB-41	97 [3.82]	82.4 [3.24]	10 [0.39]	241	89	3.4[2.96]	159	64	5.2 [4.52]
IB-45	101 [3.98]	82.4 [3.24]	10 [0.39]	262	97	3.7[3.22]	177	71	5.8 [5.05]
IB-51	107 [4.21]	82.4 [3.24]	10 [0.39]	354	131	5.0[4.35]	229	92	7.5 [6.53]

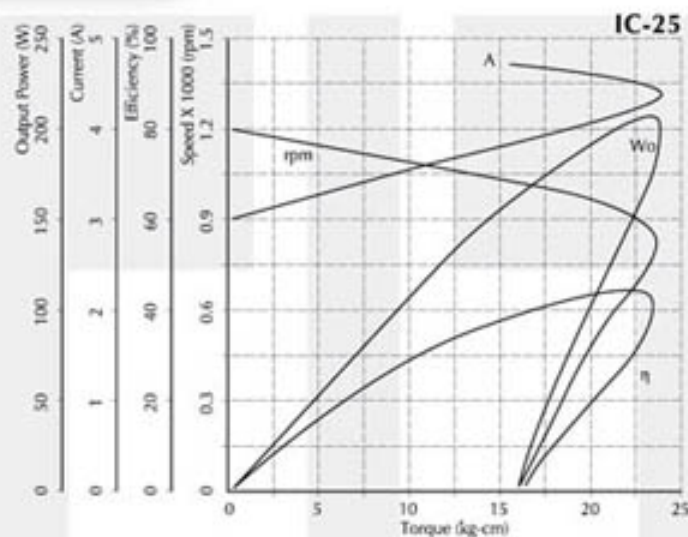
The information above is for reference only, detailed specification is subject to final confirmation



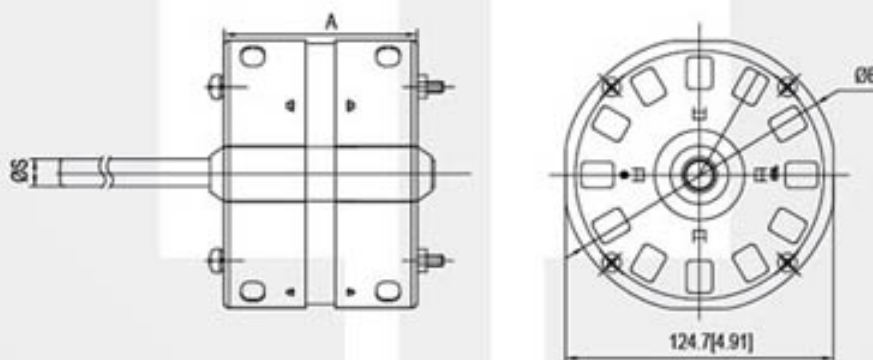
Induction Motor - IC Series

Voltage : 100 - 240V AC (50/60Hz)
 Rated Speed : 3,000rpm (2pole), 1,400rpm (4pole)
 1,000rpm (6pole), 700rpm (8pole)
 Rated Output Power: 46 - 472W
 Insulation Class : A, E, B, F
 Motor Diameter : $\varnothing 127.3\text{mm}[5.01\text{inch}]$
 Typical Application : Air Conditioner, Food Processor, Ventilation Fan, Blower,
 Garage Door Opener, Air Curtain

Performance Curve



Dimension (mm[inch])



Performance (testing under room temperature)

Model	Dim A mm[inch]	Dim B mm[inch]	Dim S mm[inch]	2 Pole			4 Pole			6 Pole			8 Pole		
				Rated Input Power (W)	Rated Output Power (W)	Breakdown Torque (kg-cm)[lb-in]	Rated Input Power (W)	Rated Output Power (W)	Breakdown Torque (kg-cm)[lb-in]	Rated Input Power (W)	Rated Output Power (W)	Breakdown Torque (kg-cm)[lb-in]	Rated Input Power (W)	Rated Output Power (W)	Breakdown Torque (kg-cm)[lb-in]
IC-15	80[3.15]	127.3[5.01]	12.7[0.50]	167	92	3.5[3.41]	122	61	5.0[4.35]	126	57	6.5[5.66]	109	46	7.5[6.53]
IC-20	85[3.35]	127.3[5.01]	12.7[0.50]	238	131	5.0[4.35]	196	98	8.0[6.96]	184	83	9.5[8.27]	153	64	10.5[9.14]
IC-25	90[3.54]	127.3[5.01]	12.7[0.50]	333	183	7.0[6.09]	269	135	11.0[9.57]	262	118	13.5[11.75]	211	89	14.5[12.62]
IC-30	95[3.74]	127.3[5.01]	12.7[0.50]	476	262	10.0[8.70]	367	183	15.0[13.05]	349	157	18.0[15.66]	277	116	19.0[16.53]
IC-35	100[3.94]	127.3[5.01]	12.7[0.50]	572	314	12.0[10.44]	489	245	20.0[17.40]	427	192	22.0[19.14]	349	147	24.0[20.88]
IC-40	105[4.13]	127.3[5.01]	12.7[0.50]	667	367	14.0[12.18]	562	281	23.0[20.01]	524	236	27.0[23.49]	422	177	29.0[25.23]
IC-45	110[4.33]	127.3[5.01]	12.7[0.50]	762	419	16.0[13.92]	660	330	27.0[23.49]	602	271	31.0[26.97]	480	202	33.0[28.71]
IC-51	116[4.57]	127.3[5.01]	12.7[0.50]	858	472	18.0[15.66]	734	367	30.0[26.10]	679	306	35.0[30.45]	539	226	37.0[32.19]

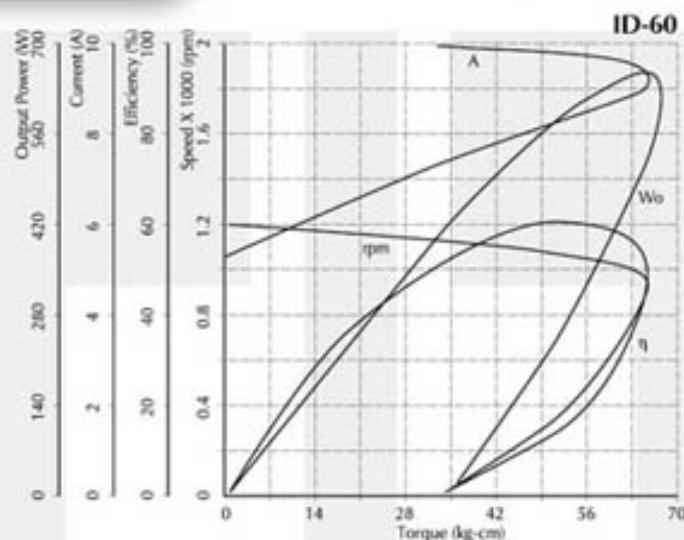
The information above is for reference only, detailed specification is subject to final confirmation



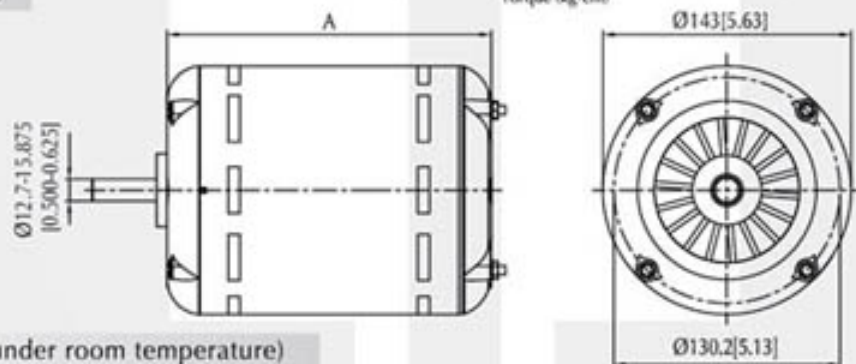
Induction Motor - ID Series

Voltage : 100 - 240V AC (50/60Hz)
 Rated Speed : 3,000rpm (2pole), 1,400rpm (4pole)
 1,000rpm (6pole)
 Rated Output Power: 148 - 865W
 Insulation Class : A, E, B, F
 Motor Diameter : $\varnothing 143\text{mm}[5.63\text{inch}]$
 Typical Application : Direct Drive Blower & Fan, Garage Door Opener,
 Furnaces-Blower, Ventilation Fan, Home Laundry
 Equipment, Condenser

Performance Curve



Dimension (mm[inch])



Performance (testing under room temperature)

Model	Dim A mm[inch]	2 Pole			4 Pole			6 Pole		
		Rated Input Power (W)	Rated Output Power (W)	Breakdown Torque (kg-cm[lb-in])	Rated Input Power (W)	Rated Output Power (W)	Breakdown Torque (kg-cm[lb-in])	Rated Input Power (W)	Rated Output Power (W)	Breakdown Torque (kg-cm[lb-in])
ID-30	121/161[4.76 - 6.34]	480	288	11[9.57]	333	183	15[13.05]	286	148	17[14.79]
ID-32	123/163[4.84 - 6.42]	524	314	12[10.44]	400	220	18[15.66]	353	183	21[18.27]
ID-35	126/166[4.96 - 6.54]	590	354	14[12.18]	445	245	20[17.40]	403	210	24[20.88]
ID-40	131/171[5.16 - 6.73]	699	419	16[13.92]	556	306	25[21.75]	487	253	29[25.23]
ID-45	136/176[5.35 - 6.93]	786	472	18[15.66]	645	355	29[25.23]	571	297	34[29.58]
ID-50	141/181[5.55 - 7.13]	873	524	20[17.40]	756	416	34[29.58]	672	349	40[34.80]
ID-55	146/186[5.94 - 7.52]	961	576	22[19.14]	845	465	38[33.06]	739	384	44[38.28]
ID-60	151/191[5.94 - 7.52]	1048	629	24[20.88]	934	514	42[36.54]	806	419	48[41.76]
ID-65	156/196[6.14 - 7.72]	1135	681	26[22.62]	1023	562	46[40.02]	890	463	53[46.11]
ID-70	161/201[6.34 - 7.91]	1123	734	28[24.36]	1112	611	50[43.50]	957	498	57[49.59]
ID-75	166/206[6.54 - 8.11]	1310	786	30[26.10]	1201	660	54[46.98]	1025	533	61[53.07]
ID-80	171/211[6.73 - 8.31]	1441	865	33[28.71]	1289	709	58[50.46]	1092	568	65[56.55]

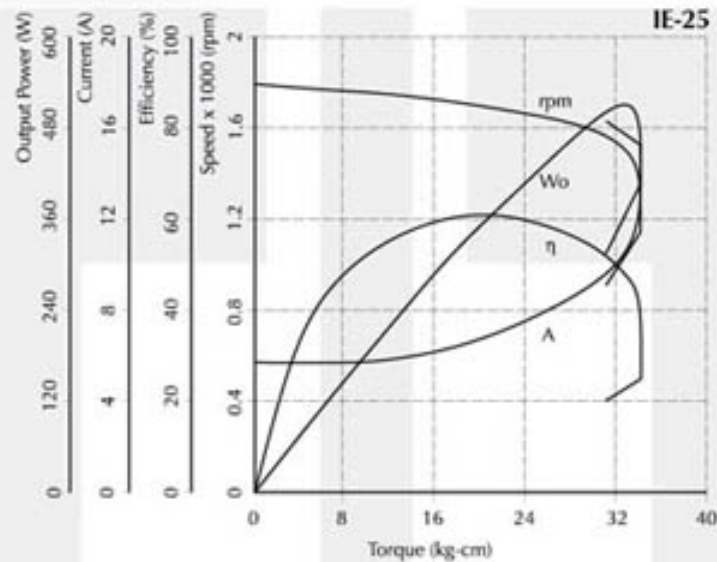
The information above is for reference only, detailed specification is subject to final confirmation



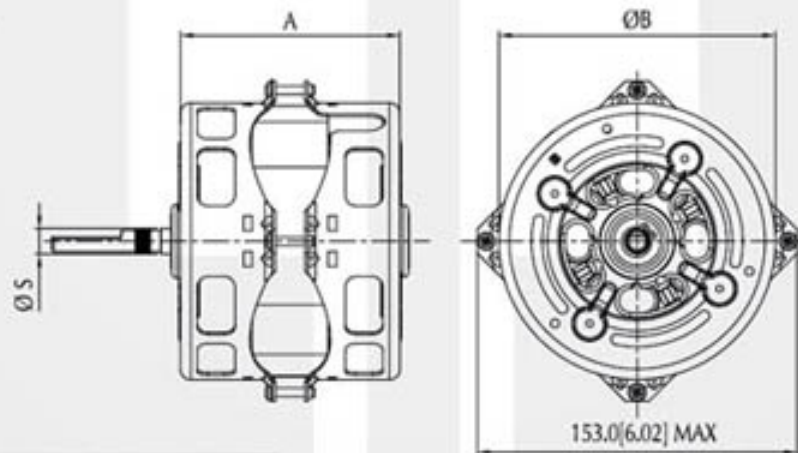
Induction Motor - IE Series

Voltage : 100 - 240V AC (50/60Hz)
 Rated Speed : 3,200rpm (2pole), 1,400rpm (4pole)
 Rated Output Power: 200 - 360W
 Insulation Class : A, E, B, F
 Motor Diameter : $\varnothing 131\text{mm}$ [5.16inch]
 Typical Application : Food Processor, Garage Door Opener

Performance Curve



Dimension (mm[inch])



Performance (testing under room temperature)

Model	Dim A mm[inch]	Dim B mm[inch]	Dim S mm[inch]	2 Pole			4 Pole		
				Rated Input Power (W)	Rated Output Power (W)	Breakdown Torque (kg-cm[lb-in])	Rated Input Power (W)	Rated Output Power (W)	Breakdown Torque (kg-cm[lb-in])
IE-20	90 [3.54]	131 [5.16]	12 [0.47]	300	200	9.0 [7.83]	400	200	16 [13.92]
IE-25	95 [3.74]	131 [5.16]	12 [0.47]	375	250	11.0 [9.57]	500	250	20 [17.40]
IE-28	98 [3.86]	131 [5.16]	12 [0.47]	420	280	12.5 [10.88]	560	280	22 [19.14]
IE-30	100 [3.94]	131 [5.16]	12 [0.47]	450	300	13.5 [11.75]	600	300	24 [20.88]
IE-36	104 [4.09]	131 [5.16]	12 [0.47]	540	360	16.5 [14.36]	720	360	30 [26.10]

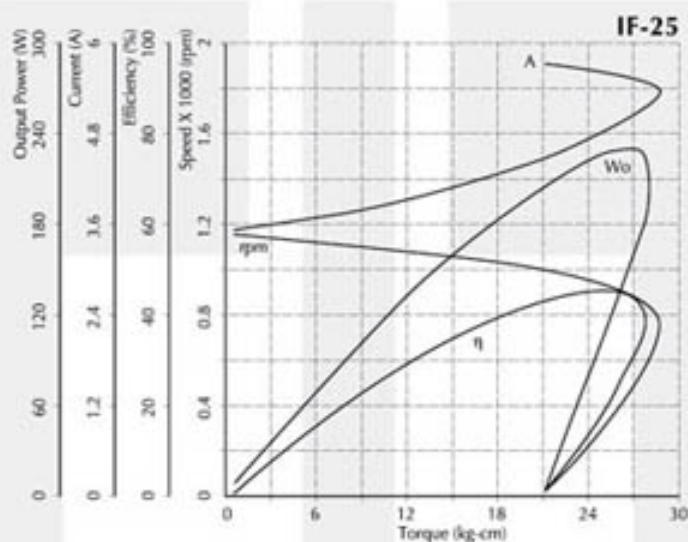
The information above is for reference only, detailed specification is subject to final confirmation



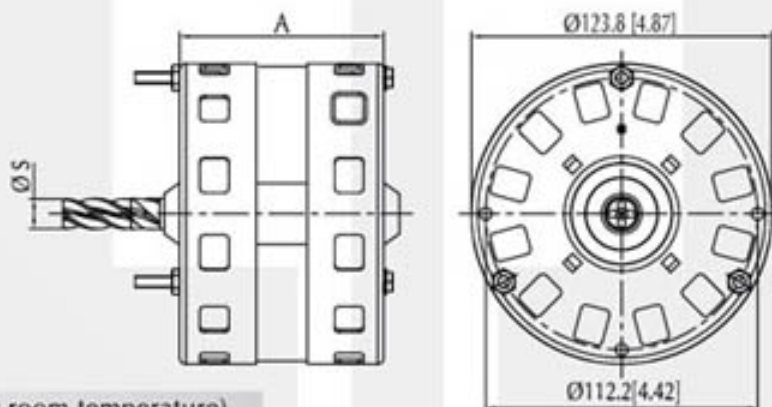
Induction Motor - IF Series

Voltage : 100 - 240V AC (50/60Hz)
 Rated Speed : 1,300rpm (4pole), 950rpm (6pole)
 650rpm (8pole)
 Rated Output Power: 91 - 454W
 Insulation Class : A, E, B, F
 Motor Diameter : $\varnothing 123.8\text{mm}[4.87\text{inch}]$
 Typical Application : Garage Door Opener

Performance Curve



Dimension (mm[inch])



Performance (testing under room temperature)

Model	Dim A mm[inch]	Dim S mm[inch]	4 Pole			6 Pole			8 Pole		
			Rated Input Power (W)	Rated Output Power (W)	Breakdown Torque (kg-cm)[lb-in]	Rated Input Power (W)	Rated Output Power (W)	Breakdown Torque (kg-cm)[lb-in]	Rated Input Power (W)	Rated Output Power (W)	Breakdown Torque (kg-cm)[lb-in]
IF-15	68-80[2.68-3.15]	12.7 [0.50]	296	136	12[10.44]	264	116	14[12.18]	227	91	16[13.92]
IF-20	73-85[2.87-3.35]	12.7 [0.50]	420	193	17[14.79]	358	158	19[16.53]	298	119	21[18.27]
IF-23	76-88[2.99-3.46]	12.7 [0.50]	543	250	22[19.14]	471	207	25[21.75]	397	159	28[24.36]
IF-25	78-90[3.07-3.54]	12.7 [0.50]	568	261	23[20.01]	528	232	28[24.36]	454	182	32[27.84]
IF-30	83-95[3.27-3.74]	12.7 [0.50]	691	318	28[24.36]	603	266	32[27.84]	511	204	36[31.32]
IF-34	87-99[3.43-3.90]	12.7 [0.50]	790	363	32[27.84]	660	290	35[30.45]	554	221	39[33.93]
IF-37	90-102[3.54-4.02]	12.7 [0.50]	889	409	36[31.32]	717	315	38[33.06]	610	244	43[37.41]
IF-40	93-105[3.66-4.13]	12.7 [0.50]	987	454	40[34.80]	792	348	42[36.54]	667	267	47[40.89]

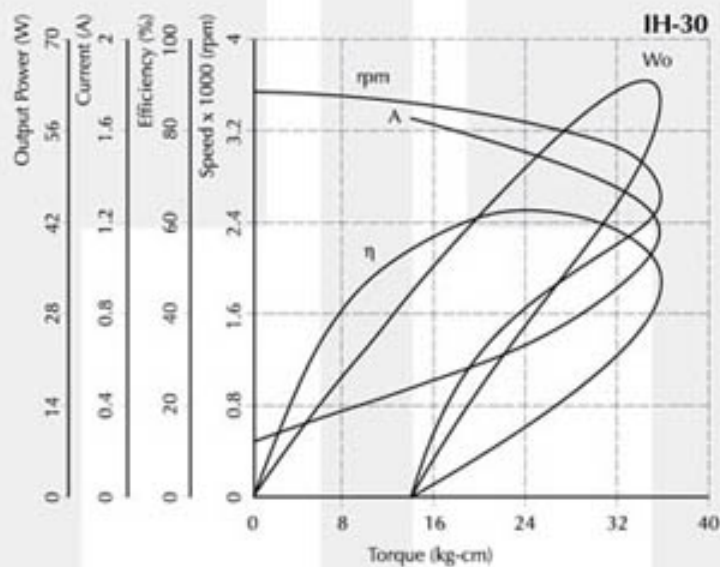
The information above is for reference only, detailed specification is subject to final confirmation



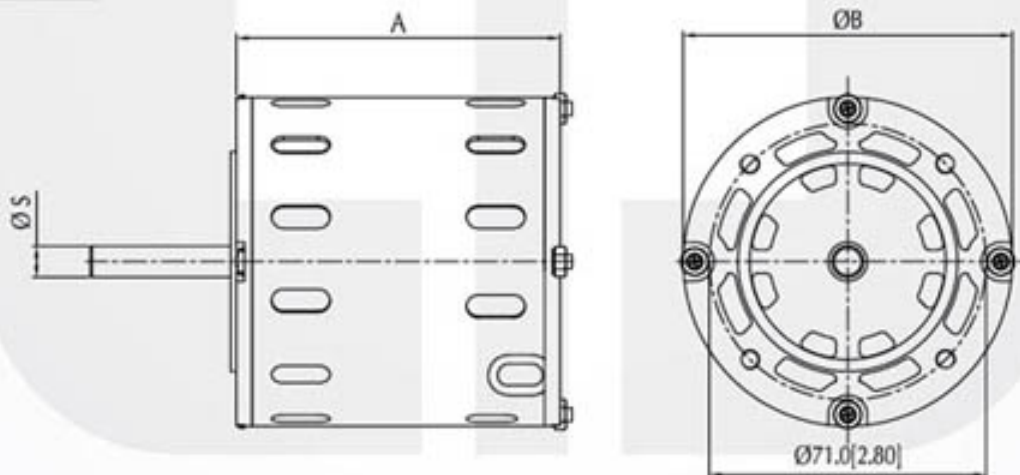
Induction Motor - IH Series

Voltage : 100 - 240V AC (50/60Hz)
 Rated Speed : 3,300rpm (2pole), 1,400rpm (4pole)
 Rated Output Power: 50 - 70W
 Insulation Class : A, E, B, F
 Motor Diameter : Ø84mm[3.31inch]
 Typical Application : Food Processor, Garage Door Opener, Pump

Performance Curve



Dimension (mm[inch])



Performance (testing under room temperature)

Model	Dim A mm[inch]	Dim B mm[inch]	Dim S mm[inch]	2 Pole			4 Pole		
				Rated Input Power (W)	Rated Output Power (W)	Breakdown Torque (kg-cm[lb-in])	Rated Input Power (W)	Rated Output Power (W)	Breakdown Torque (kg-cm[lb-in])
IH-30	83 [3.27]	84 [3.31]	8.0 [0.31]	80	50	0.7 [0.61]	75	50	0.8 [0.70]
IH-35	89 [3.50]	84 [3.31]	8.0 [0.31]	100	55	1.0 [0.87]	95	55	1.2 [1.04]
IH-45	95 [3.74]	84 [3.31]	8.0 [0.31]	120	70	1.3 [1.13]	115	70	1.5 [1.31]

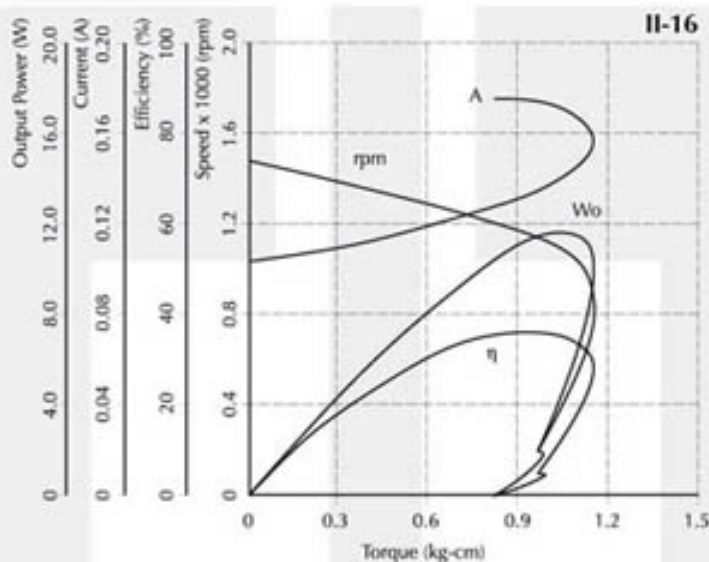
The information above is for reference only, detailed specification is subject to final confirmation



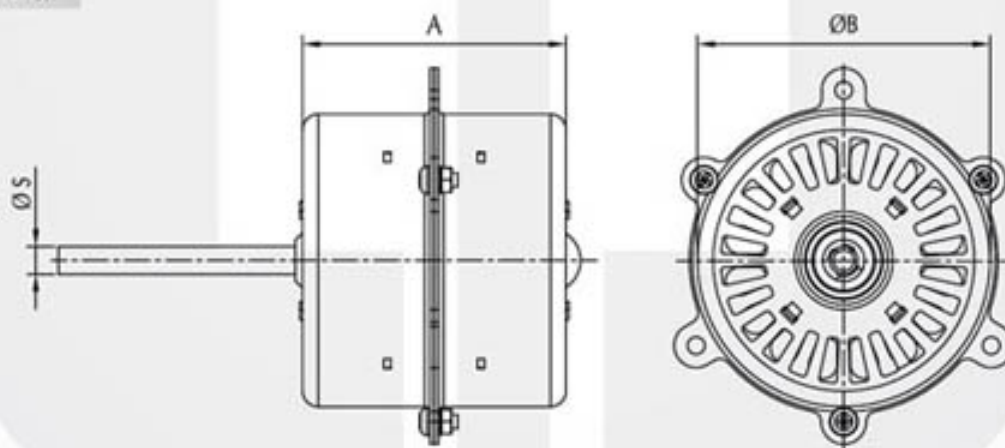
Induction Motor - II Series

Voltage : 100 - 240V AC (50/60Hz)
 Rated Speed : 3,300rpm (2pole), 1,400rpm (4pole)
 Rated Output Power: 12 - 33W
 Insulation Class : A, E, B, F
 Motor Diameter : $\varnothing 84.4\text{mm}$ [3.32inch]
 Typical Application : Air Purifier / Freshener

Performance Curve



Dimension (mm[inch])



Performance (testing under room temperature)

Model	Dim A mm[inch]	Dim B mm[inch]	Dim S mm[inch]	2 Pole			4 Pole		
				Rated Input Power (W)	Rated Output Power (W)	Breakdown Torque (kg-cm[lb-in])	Rated Input Power (W)	Rated Output Power (W)	Breakdown Torque (kg-cm[lb-in])
II-12	64 [2.52]	84.4 [3.32]	8.0 [0.31]	35	15	0.6 [0.52]	40	12	1.2 [1.04]
II-16	76 [2.99]	84.4 [3.32]	8.0 [0.31]	48	20	0.8 [0.70]	50	15	1.5 [1.31]
II-21	76 [2.99]	84.4 [3.32]	8.0 [0.31]	60	25	1.0 [0.87]	60	18	1.8 [1.57]
II-25	76 [2.99]	84.4 [3.32]	8.0 [0.31]	72	33	1.5 [1.31]	70	21	2.1 [1.83]

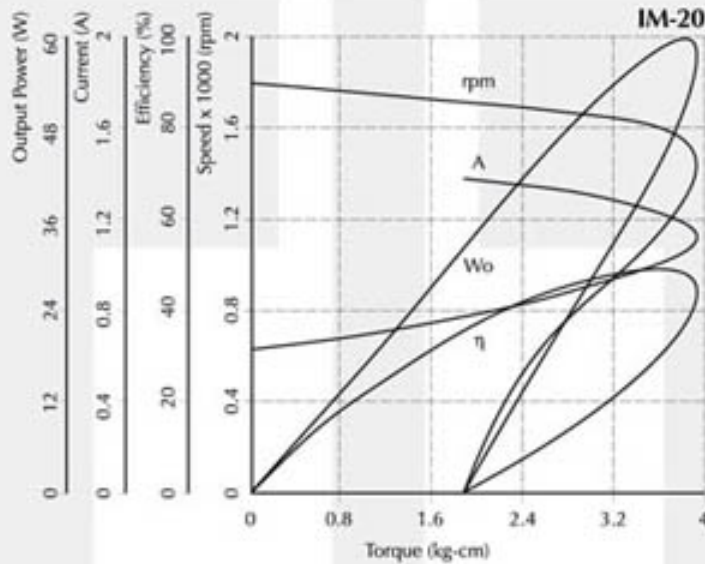
The information above is for reference only, detailed specification is subject to final confirmation



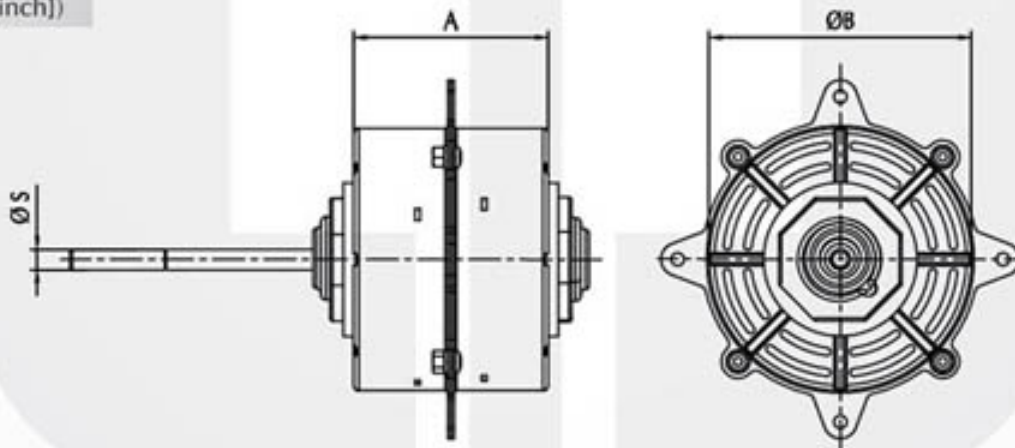
Induction Motor - IM Series

Voltage : 100 - 240V AC (50/60Hz)
 Rated Speed : 3,200rpm (2pole), 1,400rpm (4pole)
 900rpm (6pole)
 Rated Output Power: 50 - 220W
 Insulation Class : A, E, B, F
 Motor Diameter : $\varnothing 102.4\text{mm}[4.03\text{inch}]$
 Typical Application : Air Purifier, Juice Extractor

Performance Curve



Dimension (mm[inch])



Performance (testing under room temperature)

Model	Dim A mm[inch]	Dim B mm[inch]	Dim S mm[inch]	4 Pole			6 Pole			8 Pole		
				Rated Input Power (W)	Rated Output Power (W)	Breakdown Torque (kg-cm)[lb-in]	Rated Input Power (W)	Rated Output Power (W)	Breakdown Torque (kg-cm)[lb-in]	Rated Input Power (W)	Rated Output Power (W)	Breakdown Torque (kg-cm)[lb-in]
IM-20	76[2.99]	102.4 [4.03]	8.0 [0.31]	128	64	2.0 [1.74]	120	60	3.0 [2.61]	110	50	3.0 [2.61]
IM-30	76[2.99]	102.4 [4.03]	8.0 [0.31]	200	100	3.0 [2.61]	180	90	4.0 [3.48]	160	70	4.0 [3.48]
IM-35	101[3.98]	102.4 [4.03]	8.0 [0.31]	340	220	4.0 [3.48]	210	130	4.5 [3.92]	180	90	4.5 [3.92]

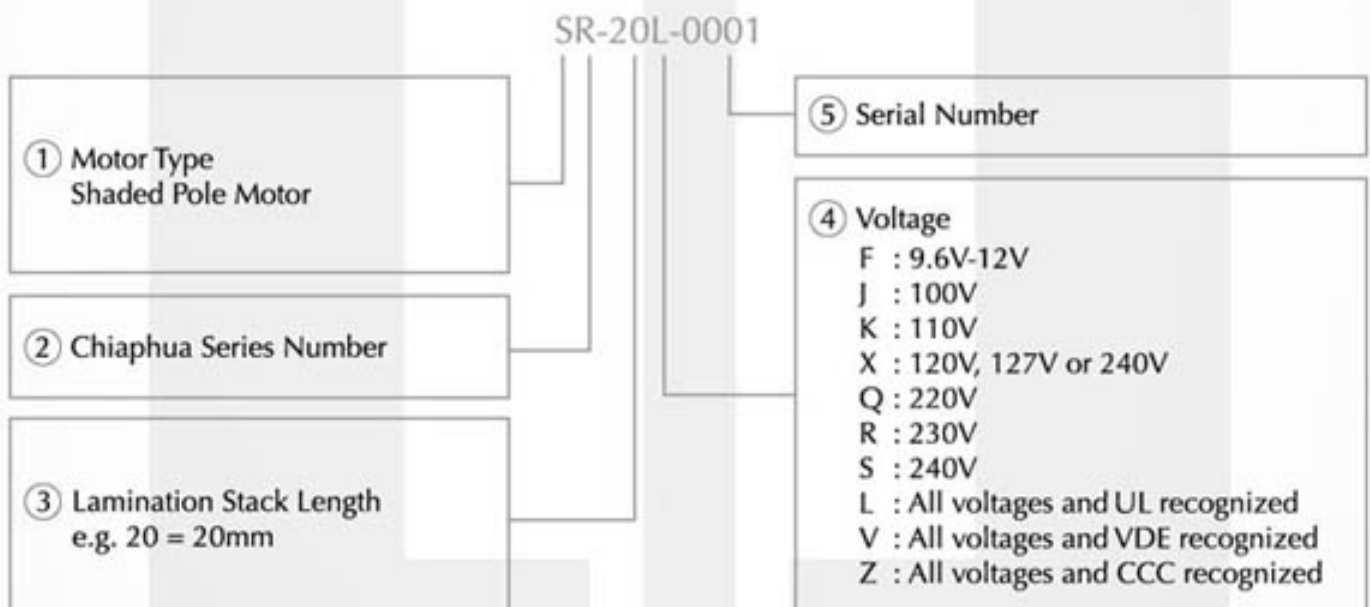
The information above is for reference only, detailed specification is subject to final confirmation

Email: sales@cclmotors.com Website: <http://www.cclmotors.com>
 4/F, No. 6, On Lok Mun Street, On Lok Tsuen, Fanling, N.T., Hong Kong.

Tel: (852) 3125 0000 Fax: (852) 3125 0125

Shaded Pole Motor

The AC single phased design of CCL shaded pole motors operate silently with high stability, the non-brush configuration allows for long life and most of them are compatible with variable speed controls. In addition to general air handling application, our shaded pole motors are also designed for oven (as convention fan and cooling fan) and refrigerator (as condenser fan and evaporator fan), its operating environment temperature can be as high as 120°C (248 °F) when used in oven to as low as -30°C (-86 °F) when used in refrigerator.



The information above is for reference only, detailed specification is subject to final confirmation

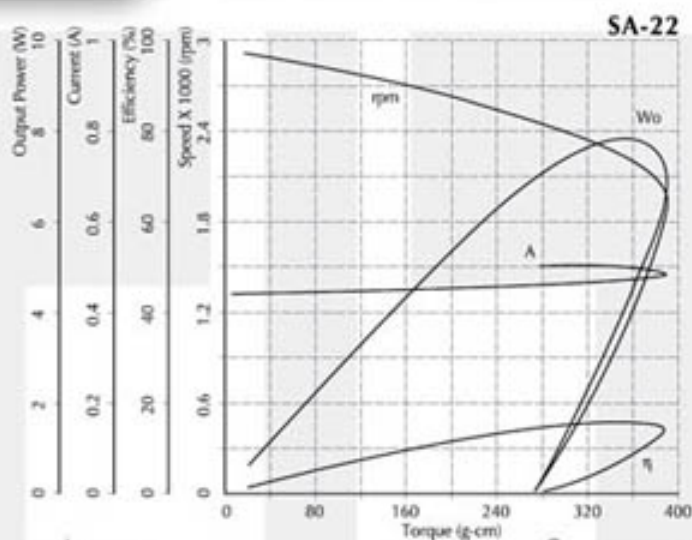


Shaded Pole Motor - SA Series

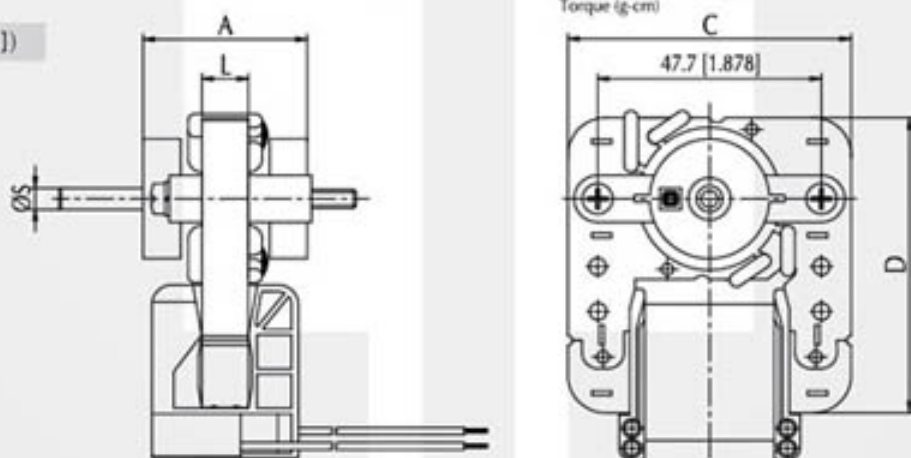
Voltage : 100 - 240V AC (50/60Hz)
 Rated Speed : 3,400rpm max
 Rated Output Power: 1.2 - 36.6W
 Insulation Class : A, B, F, H
 Typical Application : Pencil Sharpener, Condenser Fan, Air Freshener,
 Humidifier, Ventilator, Can Opener, Induction Cooker,
 Air Purifier, Oven, Evaporator Fan, Air Pump, Water Pump

*C Frame Motor

Performance Curve



Dimension (mm[inch])



Performance (testing under room temperature)

Model	Dim A mm[inch]	Dim C mm[inch]	Dim D mm[inch]	Dim L mm[inch]	Dim S mm[inch]	Rated Torque (g-cm[lb-in])	Rated Input Power (W)	Rated Output Power (W)
SA-10	35 [1.38]	60.4 [2.38]	63.0 [2.48]	10 [0.39]	4.61 - 6.35 [0.18 - 0.25]	65 - 125 [0.06 - 0.11]	9 - 22	1.2 - 3.1
SA-13	38 [1.50]	60.4 [2.38]	63.0 [2.48]	13 [0.51]	4.61 - 6.35 [0.18 - 0.25]	100 - 235 [0.09 - 0.20]	13 - 33	2.3 - 5.8
SA-16	41 [1.61]	60.4 [2.38]	63.0 [2.48]	16 [0.63]	4.61 - 6.35 [0.18 - 0.25]	125 - 340 [0.11 - 0.30]	15 - 38	2.9 - 8.5
SA-20	45 [1.77]	60.4 [2.38]	63.0 [2.48]	20 [0.79]	4.61 - 6.35 [0.18 - 0.25]	190 - 405 [0.16 - 0.35]	20 - 45	5.0 - 12.3
SA-22	52 [2.05]	60.4 [2.38]	63.0 [2.48]	22 [0.87]	4.61 - 6.35 [0.18 - 0.25]	210 - 425 [0.18 - 0.37]	22 - 47	6.0 - 13.0
SA-25	53 [2.09]	60.4 [2.38]	63.0 [2.48]	25 [0.98]	4.61 - 6.35 [0.18 - 0.25]	235 - 490 [0.20 - 0.43]	24 - 50	6.5 - 14.0
SA-30	55 [2.17]	60.4 [2.38]	63.0 [2.48]	30 [1.18]	4.61 - 6.35 [0.18 - 0.25]	315 - 615 [0.27 - 0.53]	30 - 61	8.3 - 16.8
SA-38	66 [2.60]	60.4 [2.38]	63.0 [2.48]	38 [1.50]	4.61 - 6.35 [0.18 - 0.25]	415 - 950 [0.36 - 0.82]	42 - 84	13.0 - 26.6
SA-51	76 [2.99]	60.4 [2.38]	63.0 [2.48]	51 [2.01]	4.61 - 6.35 [0.18 - 0.25]	500 - 1,100 [0.43 - 0.95]	78 - 118	17.0 - 36.6

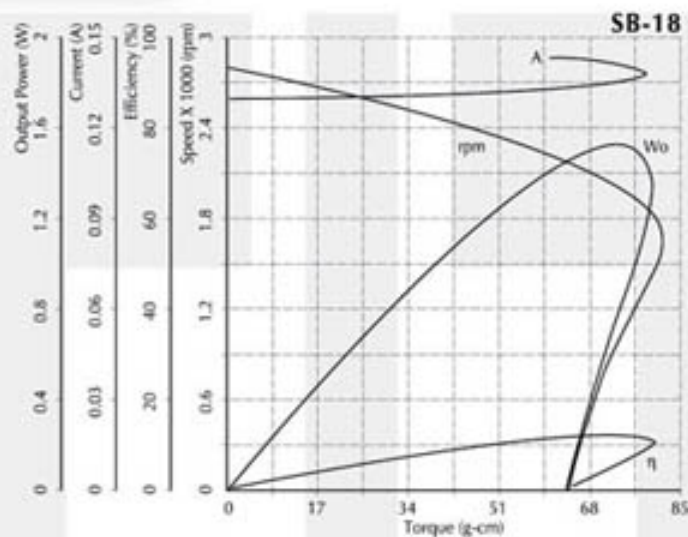
The information above is for reference only, detailed specification is subject to final confirmation



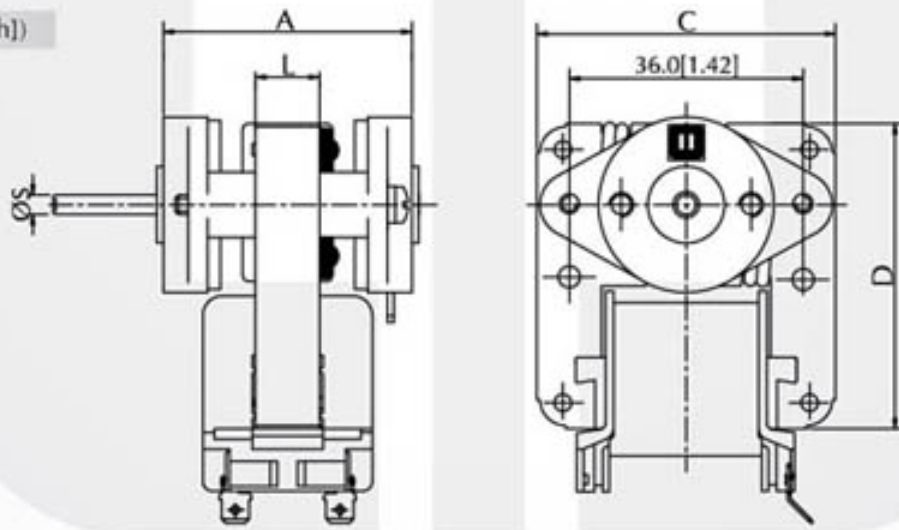
Shaded Pole Motor - SB Series

Voltage : 100 - 240V AC (50/60Hz)
 Rated Speed : 3,400rpm max
 Rated Output Power: 0.3 - 2.8W
 Insulation Class : A, B, F, H
 Typical Application : Oven, Humidifier, Ventilator,
 Air Pump, Water Pump

Performance Curve



Dimension (mm[inch])



Performance (testing under room temperature)

Model	Dim A mm[inch]	Dim C mm[inch]	Dim D mm[inch]	Dim L mm[inch]	Dim S mm[inch]	Rated Torque (g-cm[lb-in])	Rated Input Power (W)	Rated Output Power (W)
SB-08	36.4[1.43]	46 [1.81]	47 [1.85]	8 [0.31]	3.0 - 4.0 [0.12 - 0.16]	20 - 35 [0.017 - 0.030]	4 - 7	0.3 - 0.5
SB-12	40.4[1.59]	46 [1.81]	47 [1.85]	12 [0.47]	3.0 - 4.0 [0.12 - 0.16]	30 - 55 [0.026 - 0.048]	6 - 12	0.5 - 1.0
SB-18	46.4[1.83]	46 [1.81]	47 [1.85]	18 [0.71]	3.0 - 4.0 [0.12 - 0.16]	45 - 85 [0.039 - 0.074]	10 - 18	0.9 - 1.7
SB-24	52.4[2.06]	46 [1.81]	47 [1.85]	24 [0.94]	3.0 - 4.0 [0.12 - 0.16]	75 - 155 [0.065 - 0.134]	16 - 25	1.6 - 2.8

The information above is for reference only, detailed specification is subject to final confirmation

Email: sales@cclmotors.com Website: <http://www.cclmotors.com>
 4/F, No. 6, On Lok Mun Street, On Lok Tsuen, Fanling, N.T., Hong Kong

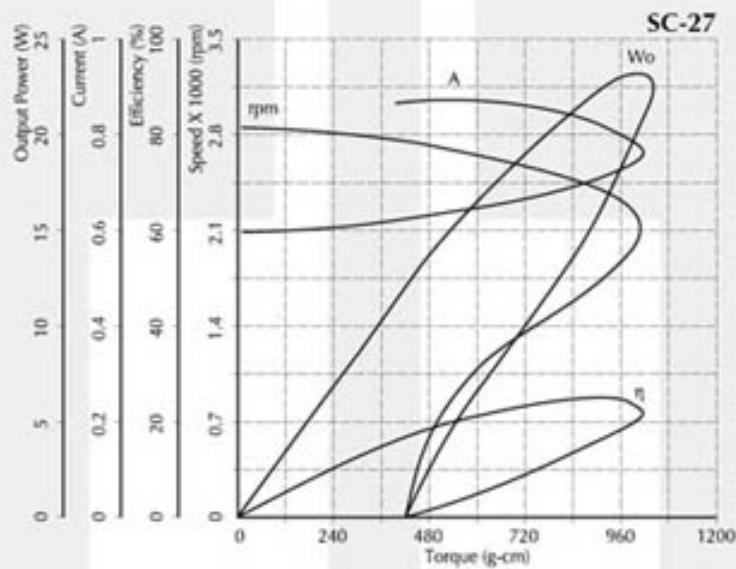
Tel: (852) 3125 0000 Fax: (852) 3125 0125



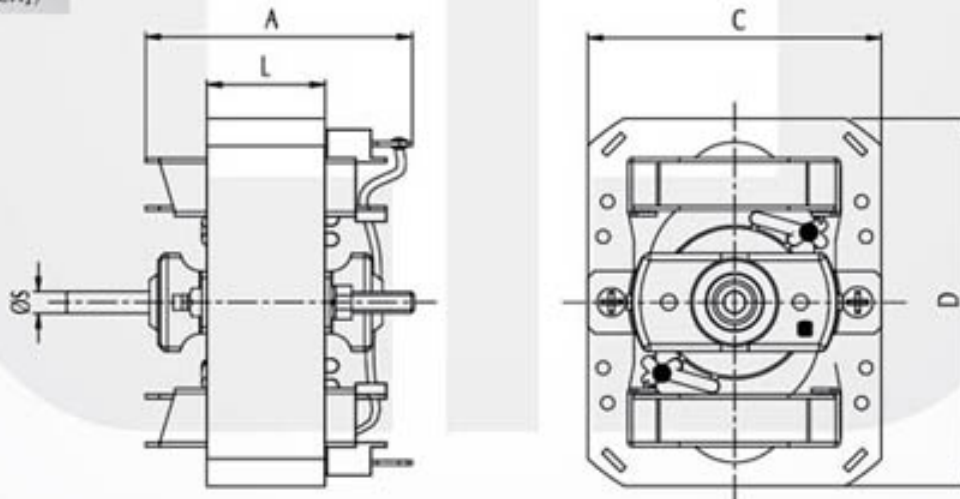
Shaded Pole Motor - SC Series

Voltage : 100 - 240V AC (50/60Hz)
 Rated Speed : 3,400rpm max
 Rated Output Power: 12 - 25W
 Insulation Class : A, E, B
 Typical Application : Kitchen Hood Fan, Ventilator

Performance Curve



Dimension (mm[inch])



Performance (testing under room temperature)

Model	Dim A mm[inch]	Dim C mm[inch]	Dim D mm[inch]	Dim L mm[inch]	Dim S mm[inch]	Rated Torque (g-cm[lb-in])	Rated Input Power (W)	Rated Output Power (W)
SC-27	57 [2.24]	67 [2.64]	84 [3.31]	27 [1.06]	5 [0.2]	400 - 850 [0.35 - 0.74]	50 - 110	12 - 25

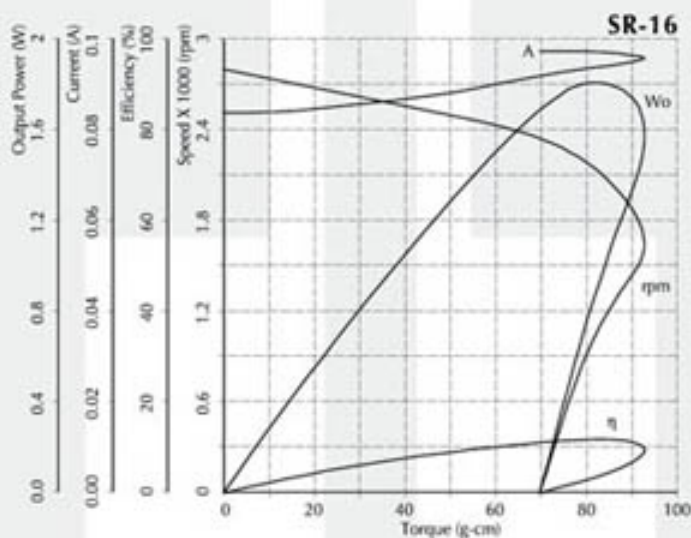
The information above is for reference only, detailed specification is subject to final confirmation



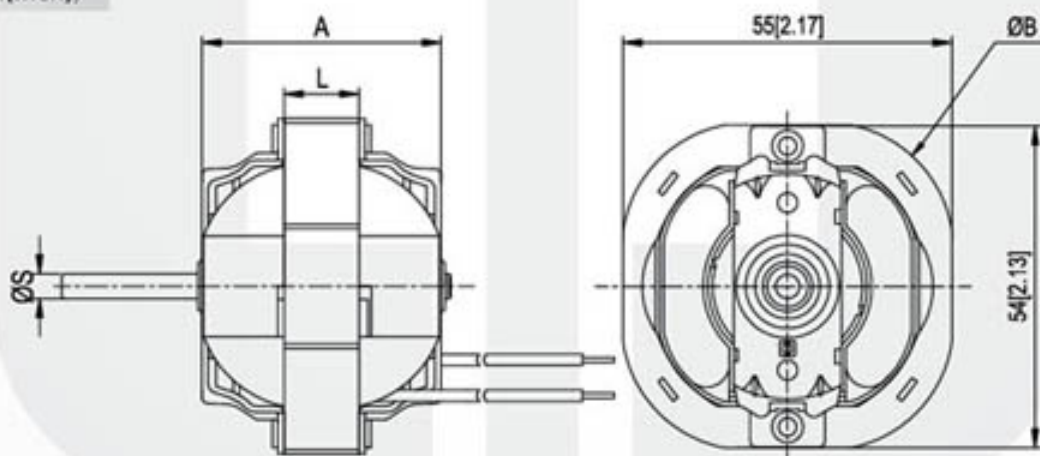
Shaded Pole Motor - SR Series

Voltage : 100 - 240V AC (50/60Hz)
 Rated Speed : 3,400rpm max
 Rated Output Power: 0.5 - 8.5W
 Insulation Class : A, E, B
 Motor Diameter : Ø58mm[2.28inch]
 Typical Application : Oven, Air Freshener, Foot Massager, Ventilator

Performance Curve



Dimension (mm[inch])



Performance (testing under room temperature)

Model	Dim A mm[inch]	Dim B mm[inch]	Dim L mm[inch]	Dim S mm[inch]	Rated Torque (g-cm[lb-in])	Rated Input Power (W)	Rated Output Power (W)
SR-10	36 [1.42]	58 [2.28]	10 [0.39]	4.0 [0.16]	45 - 80 [0.039 - 0.069]	7 - 16	0.5 - 2.0
SR-12	38 [1.50]	58 [2.28]	12 [0.47]	4.0 [0.16]	60 - 100 [0.052 - 0.087]	8 - 18	1.4 - 2.4
SR-16	42 [1.65]	58 [2.28]	16 [0.63]	4.0 [0.16]	80 - 160 [0.069 - 0.139]	15 - 26	2.0 - 3.8
SR-20	46 [1.81]	58 [2.28]	20 [0.79]	4.0 [0.16]	120 - 330 [0.104 - 0.286]	18 - 33	3.1 - 5.7
SR-30	56 [2.20]	58 [2.28]	30 [1.18]	4.0 [0.16]	190 - 340 [0.165 - 0.295]	25 - 47	4.5 - 8.5

The information above is for reference only, detailed specification is subject to final confirmation

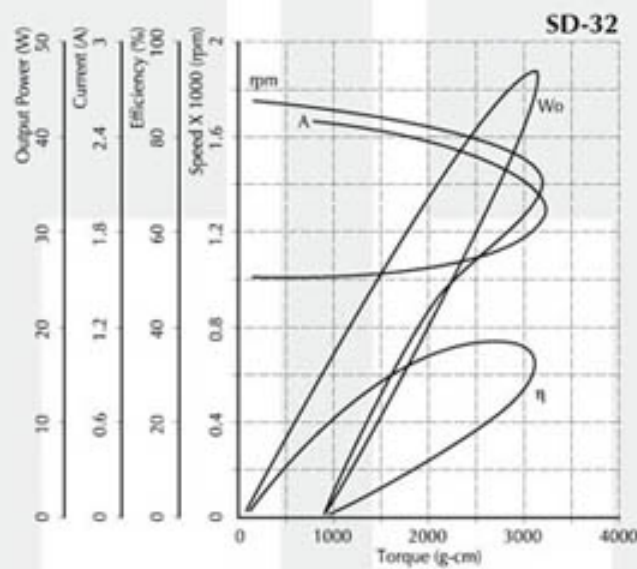


Shaded Pole Motor - SD Series (3.3", 4-pole)

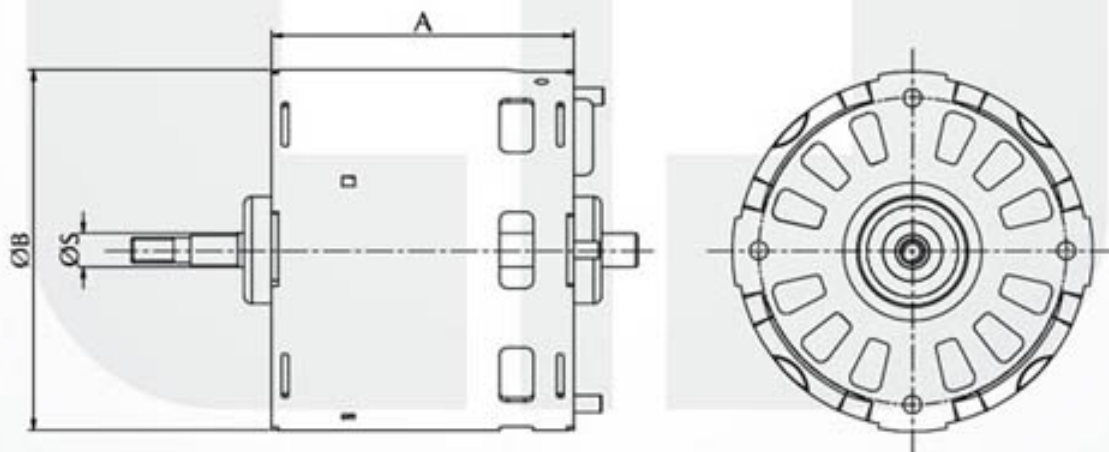
Voltage : 100 - 240V AC (50/60Hz)
 Rated Speed : 1,800rpm max
 Rated Output Power: 12 - 30W
 Insulation Class : A, E, B, F, H
 Motor Diameter : Ø85mm[3.3inch]
 Typical Application : Fan, Pump, Air Purifier

*4 - Pole Motor

Performance Curve



Dimension (mm[inch])



Performance (testing under room temperature)

Model	Dim A mm[inch]	Dim B mm[inch]	Dim S mm[inch]	Rated Torque (g-cm[lb-in])	Rated Input Power (W)	Rated Output Power (W)
SD-32	71 [2.80]	85 [3.35]	6.35 - 9.53 [0.25 - 0.38]	100 - 180 [0.87 - 1.56]	60 - 120	12 - 30

The information above is for reference only, detailed specification is subject to final confirmation

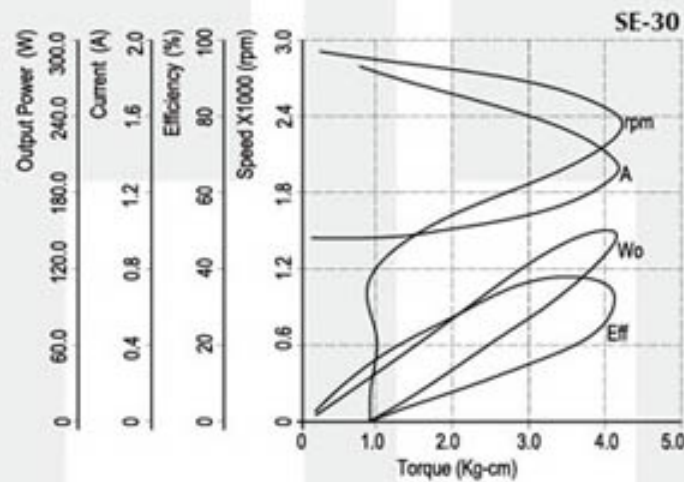


Shaded Pole Motor - SE Series (3.3", 2-pole)

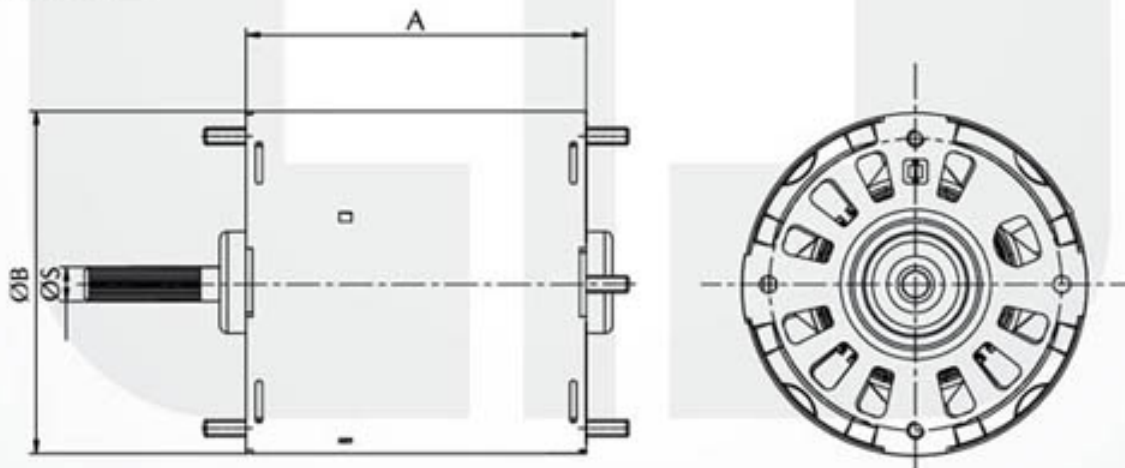
Voltage : 100 - 240V AC (50/60Hz)
 Rated Speed : 3,600rpm max
 Rated Output Power: 6 - 80W
 Insulation Class : B, F,
 Motor Diameter : Ø85mm[3.3inch]
 Typical Application : Knife Sharpener, Fan, Pump, Air Purifier

*2 - Pole Motor

Performance Curve



Dimension (mm[inch])



Performance (testing under room temperature)

Model	Dim A mm[inch]	Dim B mm[inch]	Dim S mm[inch]	Rated Torque (g-cm[lb-in])	Rated Input Power (W)	Rated Output Power (W)
SE-30	80 [3.15]	85 [3.35]	6.35 - 10 [0.25 - 0.39]	1.0 - 2.5 [0.87 - 2.17]	40 - 140	15 - 50

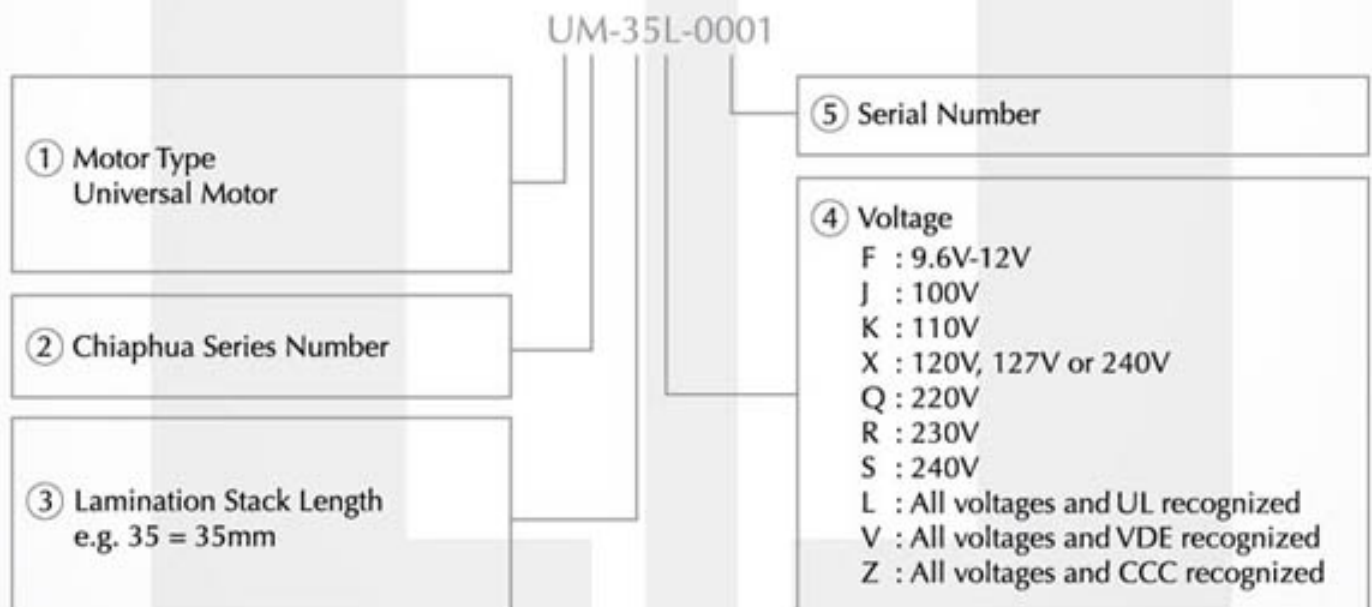
The information above is for reference only, detailed specification is subject to final confirmation

Email: sales@cclmotors.com Website: <http://www.cclmotors.com>
 4/F, No. 6, On Lok Mun Street, On Lok Tsuen, Fanling, N.T., Hong Kong

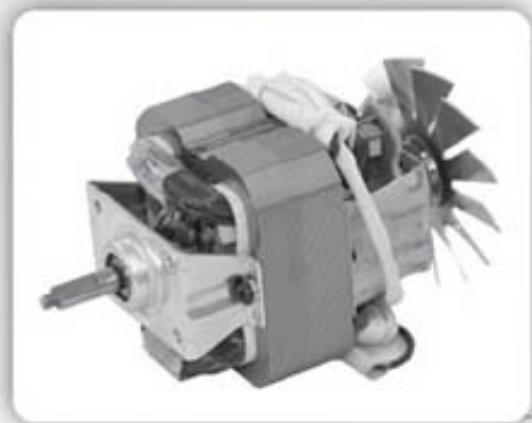
Tel: (852) 3125 0000 Fax: (852) 3125 0125

Universal Motor

CCL universal motors are available with a wide selection of dimensions and performances for various applications, such as kitchen appliances, personal care, floor care and power tools. The long life and low temperature rise of UG commercial version makes it perfect to work continuously with heavy load for commercial purposes. It can operate over 1000 hours and the motor's life can be tailored to suit your requirement. Some series like UG and UP are available with additional fan or gearbox for specific purposes.



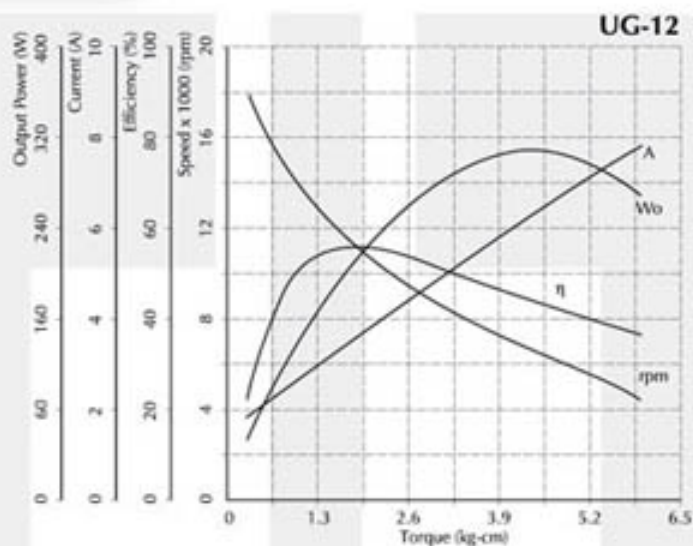
The information above is for reference only, detailed specification is subject to final confirmation



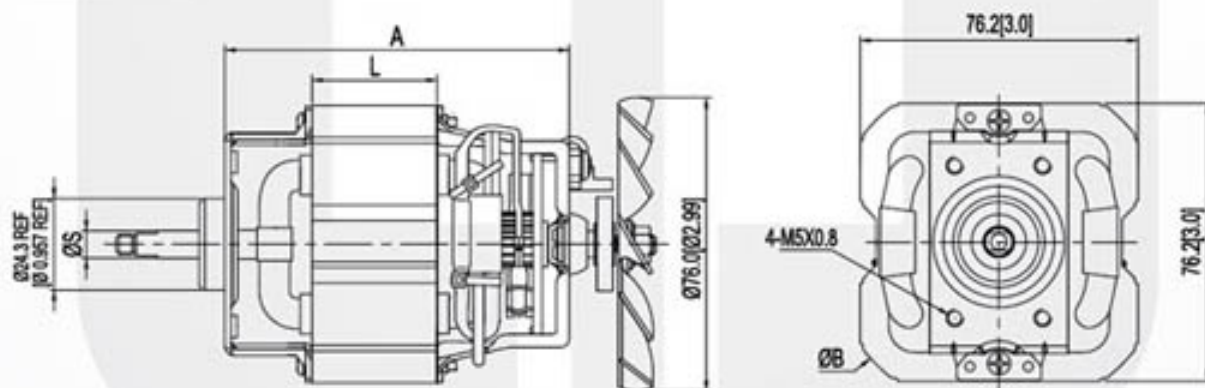
Universal Motor - UG Series

Voltage : 100 - 240V AC (50/60Hz)
 Rated Speed : 10,000 - 20,000rpm
 Rated Output Power: 160 - 650W
 Insulation Class : A, B, F, H
 Motor Diameter : Ø95mm[3.74inch]
 Typical Application : Drink Mixer, Food Processor, Soup Machine, Blender,
 Cooking Blender

Performance Curve



Dimension (mm[inch])



Performance (testing under room temperature)

Model	Dim A mm[inch]	Dim B mm[inch]	Dim L mm[inch]	Dim S mm[inch]	Rated Torque (kg-cm[lb-in])	Rated Output Power (W)
UG-12	75.0 [2.95]	95.0 [3.74]	12.0 [0.47]	8.0 - 10.0 [0.31 - 0.39]	1.0 - 2.0 [0.87 - 1.74]	160 - 250
UG-15	80.0 [3.15]	95.0 [3.74]	15.0 [0.59]	8.0 - 10.0 [0.31 - 0.39]	1.0 - 3.0 [0.87 - 2.61]	200 - 300
UG-20	85.0 [3.35]	95.0 [3.74]	20.0 [0.79]	8.0 - 10.0 [0.31 - 0.39]	1.5 - 3.5 [1.30 - 3.04]	220 - 330
UG-25	90.0 [3.54]	95.0 [3.74]	25.0 [0.98]	8.0 - 10.0 [0.31 - 0.39]	2.0 - 5.0 [1.74 - 4.34]	275 - 470
UG-30	95.0 [3.74]	95.0 [3.74]	30.0 [1.18]	8.0 - 10.0 [0.31 - 0.39]	2.0 - 6.0 [1.74 - 5.20]	350 - 650

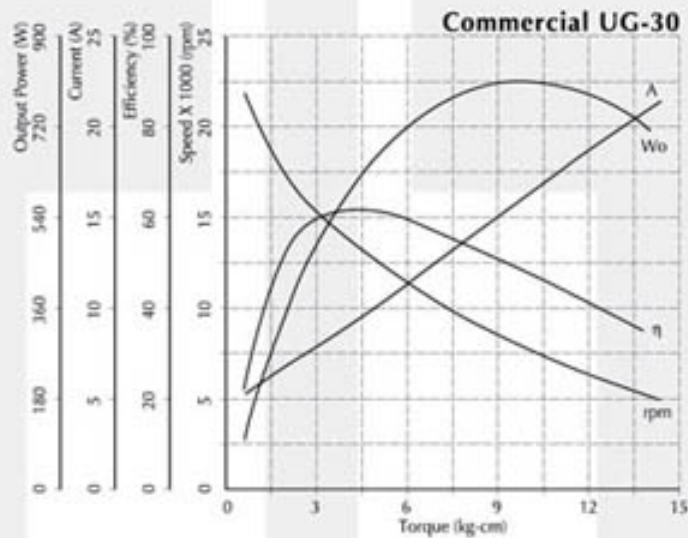
The information above is for reference only, detailed specification is subject to final confirmation



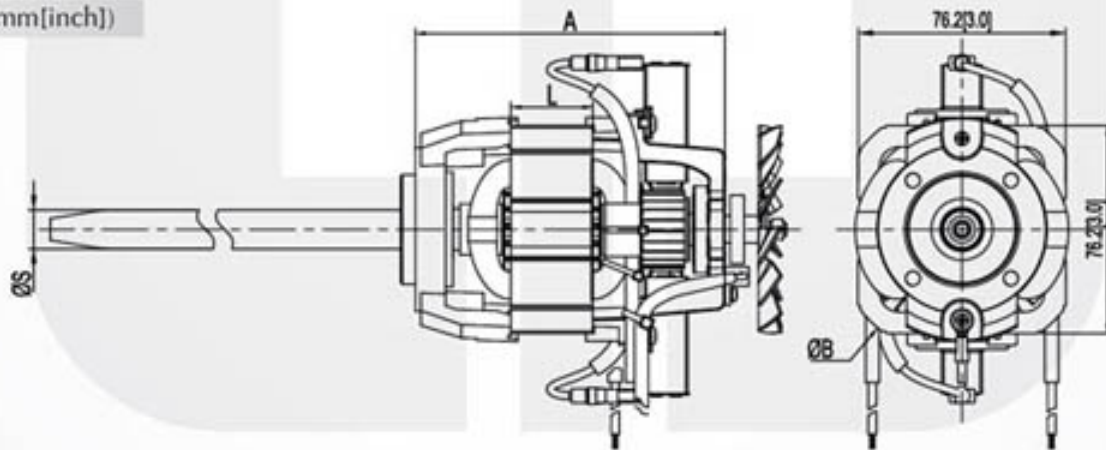
Universal Motor - UG Commercial Version

Voltage : 100 - 240V AC (50/60Hz)
 Rated Speed : 9,000 - 20,000rpm
 Rated Output Power: 350 - 700W
 Insulation Class : A, B, F, H
 Motor Diameter : $\varnothing 95\text{mm}$ [3.74inch]
 Typical Application : Drink Mixer

Performance Curve



Dimension (mm[inch])



Performance (testing under room temperature)

Model	Dim A mm[inch]	Dim B mm[inch]	Dim L mm[inch]	Dim S mm[inch]	Rated Torque (kg-cm[lb-in])	Rated Output Power (W)
UG-30	30.0 [1.18]	95.0 [3.74]	113.5 [4.47]	14.2 [0.56]	2.0 - 9.0 [1.73 - 7.80]	350 - 700

The information above is for reference only, detailed specification is subject to final confirmation

Email: sales@cclmotors.com Website: <http://www.cclmotors.com>
 4/F, No. 6, On Lok Mun Street, On Lok Tsuen, Fanling, N.T., Hong Kong

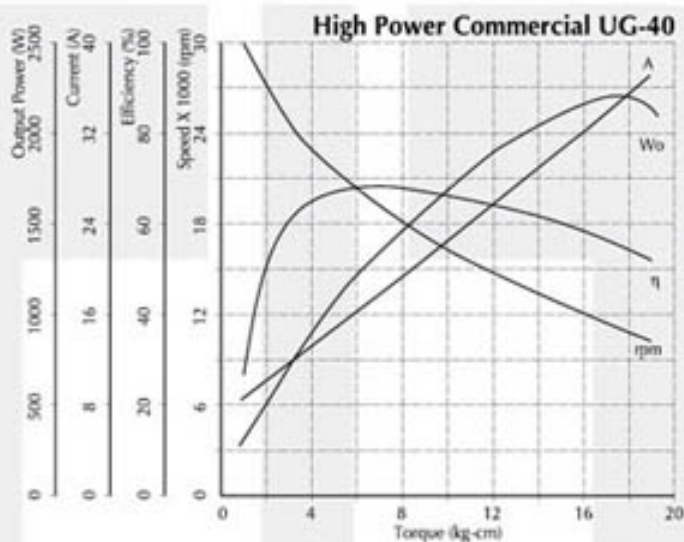
Tel: (852) 3125 0000 Fax: (852) 3125 0125



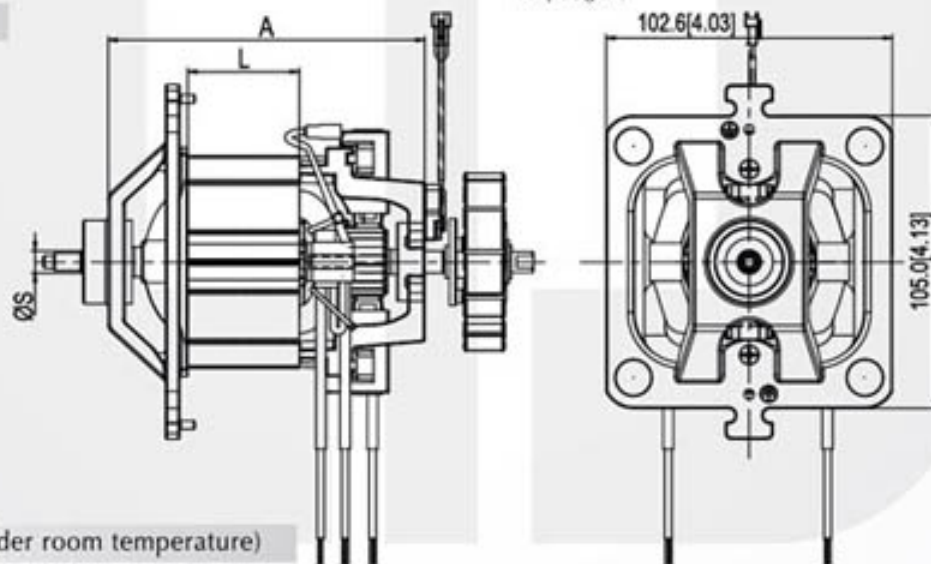
Universal Motor-UG High Power Commercial Version

Voltage : 100 - 240V AC (50/60Hz)
 Rated Speed : 10,000 - 20,000rpm
 Rated Output Power: 400 - 1,200W
 Insulation Class : A, B, F, H
 Motor Diameter : Ø95mm[3.74inch]
 Typical Application : Commercial Shaver Blender, Juice Extractor, Food Processor, Cooking Blender

Performance Curve



Dimension (mm[inch])



Performance (testing under room temperature)

Model	Dim A mm[inch]	Dim L mm[inch]	Dim S mm[inch]	Rated Torque (kg-cm[lb-in])	Rated Output Power (W)
UG-35	124.0 [4.88]	35.0 [1.38]	8.0 -10.0 [0.31 - 0.39]	2.0 - 5.0 [1.73 - 4.34]	400 - 750
UG-40	129.0 [5.08]	40.0 [1.57]	8.0 -10.0 [0.31 - 0.39]	3.0 - 6.0 [2.60 - 5.22]	450 - 800
UG-45	134.0 [5.28]	45.0 [1.77]	8.0 -10.0 [0.31 - 0.39]	3.0 - 8.0 [2.60 - 6.96]	500 - 850
UG-50	139.0 [5.47]	50.0 [1.97]	8.0 -10.0 [0.31 - 0.39]	4.0 - 9.0 [3.48 - 7.83]	600 - 900
UG-55	144.0 [5.67]	55.0 [2.17]	8.0 -10.0 [0.31 - 0.39]	4.0 - 10.0 [3.48 - 8.67]	700 - 1,000
UG-60	149.0 [5.87]	60.0 [2.36]	8.0 -10.0 [0.31 - 0.39]	5.0 - 12.0 [4.35 - 10.44]	800 - 1,200

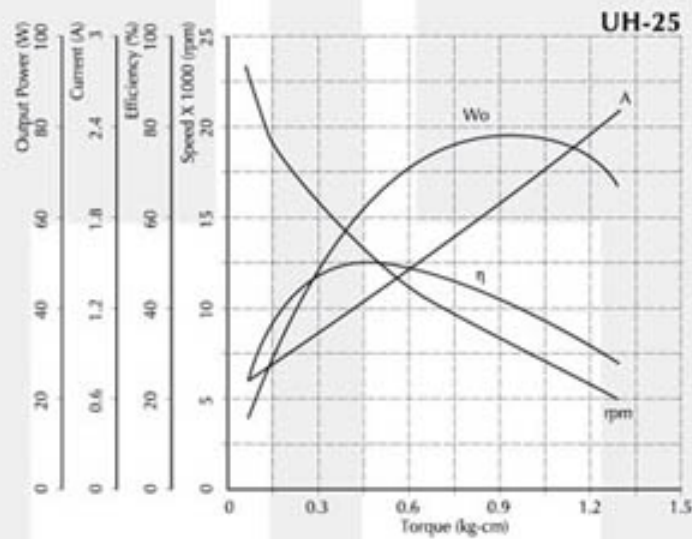
The information above is for reference only, detailed specification is subject to final confirmation



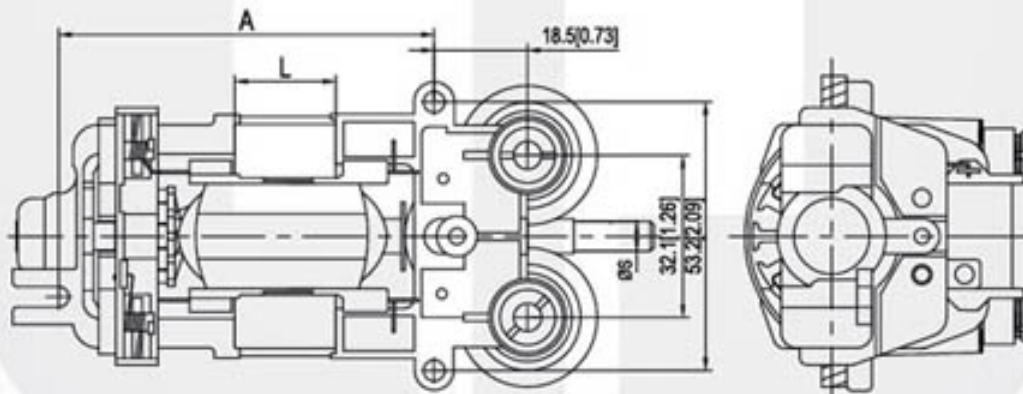
Universal Motor - UH Series

Voltage : 100 - 240V AC (50/60Hz)
 Rated Speed : 12,000 - 18,000rpm
 Rated Output Power: 40 - 135W
 Insulation Class : A, B, F
 Typical Application : Hand Mixer

Performance Curve



Dimension (mm[inch])



Performance (testing under room temperature)

Model	Dim A mm[inch]	Dim L mm[inch]	Dim S mm[inch]	Rated Torque (kg-cm[lb-in])	Rated Output Power (W)
UH-13	67.5 [2.66]	13.0 [0.51]	7.14 - 8.0 [0.28 - 0.32]	0.15 - 0.42 [0.13-0.36]	30 - 65
UH-20	74.5 [2.93]	20.0 [0.79]	7.14 - 8.0 [0.28 - 0.32]	0.30 - 0.45 [0.26-0.39]	55 - 80
UH-25	79.5 [3.13]	25.0 [0.98]	7.14 - 8.0 [0.28 - 0.32]	0.37 - 0.55 [0.32-0.48]	75 - 100
UH-30	84.5 [3.33]	30.0 [1.18]	7.14 - 8.0 [0.28 - 0.32]	0.45 - 0.67 [0.39-0.58]	90 - 115
UH-35	73.0 [2.87]	35.0 [1.38]	7.14 - 8.0 [0.28 - 0.32]	0.70 - 1.10 [0.61-0.95]	115 - 135

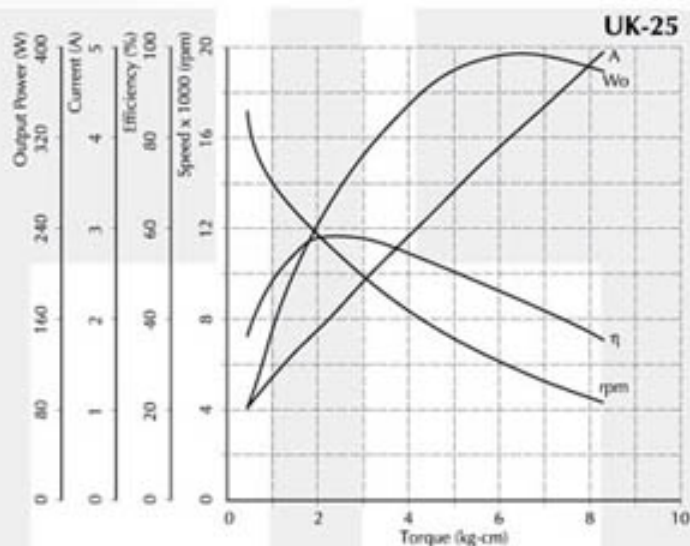
The information above is for reference only, detailed specification is subject to final confirmation

Universal Motor - UK Series

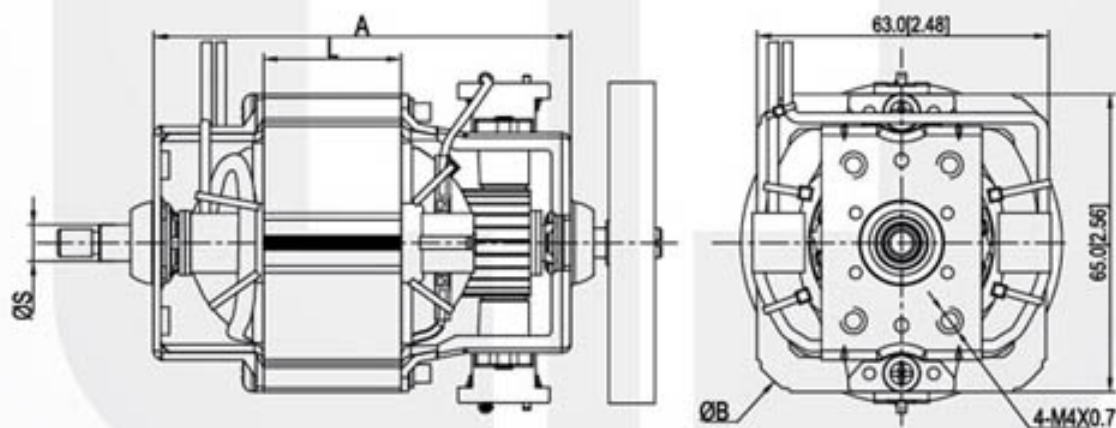


Voltage : 100 - 240V AC (50/60Hz)
 Rated Speed : 12,000 - 18,000rpm
 Rated Output Power: 150 - 450W
 Insulation Class : A, B, F, H
 Motor Diameter : $\varnothing 82\text{mm}$ [3.23inch]
 Typical Application : Grass Trimmer, Juice Extractor, Water Pump, Food Processor, Meat Grinder, Drink Mixer, Stand Mixer, Blender

Performance Curve



Dimension (mm[inch])



Performance (testing under room temperature)

Model	Dim A mm[inch]	Dim B mm[inch]	Dim L mm[inch]	Dim S mm[inch]	Rated Torque (kg-cm)[lb-in]	Rated Output Power (W)
UK-15	76.0 [2.99]	82.0 [3.23]	15.0 [0.59]	6.35 - 8.0 [0.25 - 0.31]	0.1 - 2.0 [0.09 - 1.73]	110 - 220
UK-20	81.0 [3.19]	82.0 [3.23]	20.0 [0.79]	6.35 - 8.0 [0.25 - 0.31]	1.0 - 3.0 [0.87 - 2.60]	165 - 275
UK-25	86.0 [3.39]	82.0 [3.23]	25.0 [0.98]	6.35 - 8.0 [0.25 - 0.31]	1.5 - 3.5 [1.30 - 3.04]	220 - 330
UK-30	91.0 [3.58]	82.0 [3.23]	30.0 [1.18]	6.35 - 8.0 [0.25 - 0.31]	2.0 - 5.0 [1.73 - 4.34]	275 - 470
UK-35	96.0 [3.78]	82.0 [3.23]	35.0 [1.38]	6.35 - 8.0 [0.25 - 0.31]	2.0 - 6.0 [1.73 - 5.20]	350 - 550
UK-40	101.0 [3.98]	82.0 [3.23]	40.0 [1.57]	6.35 - 8.0 [0.25 - 0.31]	3.0 - 6.0 [2.60 - 5.20]	440 - 650

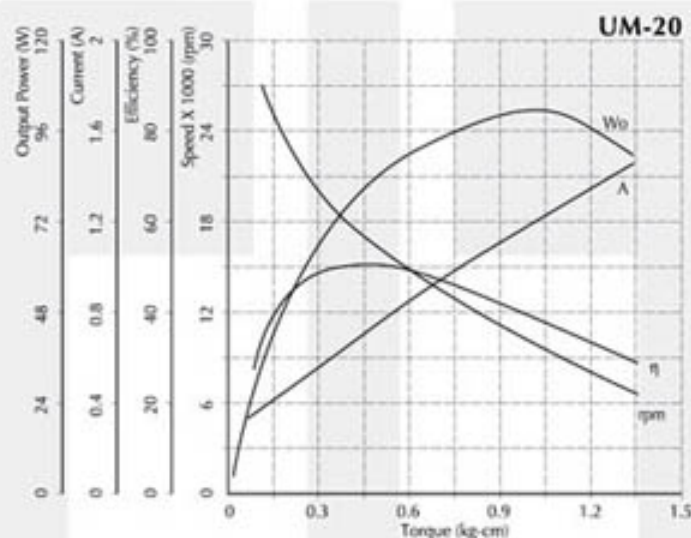
The information above is for reference only, detailed specification is subject to final confirmation



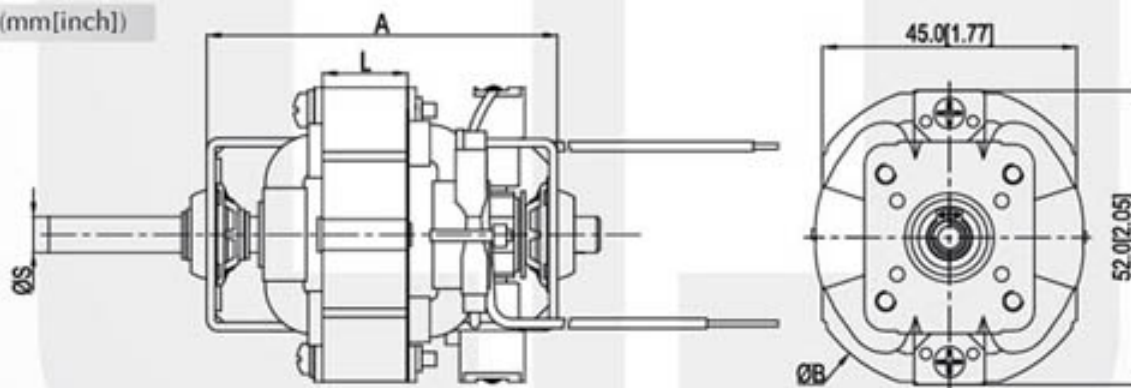
Universal Motor - UM Series

Voltage : 100 - 240V AC (50/60Hz)
 Rated Speed : 10,000 - 20,000rpm
 Rated Output Power: 30 - 150W
 Insulation Class : A, B, F
 Motor Diameter : Ø54mm[2.13inch]
 Typical Application : Electric Knife, Mini Chopper, Slicer, Blender, Juice
 Extractor, Soy Bean Milk Maker, Food Processor,
 Air/Water Pump

Performance Curve



Dimension (mm[inch])



Performance (testing under room temperature)

Model	Dim A mm[inch]	Dim B mm[inch]	Dim L mm[inch]	Dim S mm[inch]	Rated Torque (kg-cm[lb-in])	Rated Output Power (W)
UM-10	52.5[2.07]	54.0[2.13]	10.0[0.39]	4.5/6.35/7.14 [0.18/0.25/0.28]	0.20-0.27 [0.17 - 0.23]	10 - 40
UM-12	54.5[2.15]	54.0[2.13]	12.0[0.47]	4.5/6.35/7.14 [0.18/0.25/0.28]	0.25-0.32 [0.22 - 0.28]	25 - 40
UM-15	57.5[2.26]	54.0[2.13]	15.0[0.59]	4.5/6.35/7.14 [0.18/0.25/0.28]	0.25-0.32 [0.22 - 0.28]	25 - 40
UM-20	62.5[2.46]	54.0[2.13]	20.0[0.79]	4.5/6.35/7.14 [0.18/0.25/0.28]	0.35-0.44 [0.30 - 0.38]	45 - 70
UM-25	67.5[2.66]	54.0[2.13]	25.0[0.98]	4.5/6.35/7.14 [0.18/0.25/0.28]	0.43-0.53 [0.37 - 0.46]	65 - 85
UM-30	72.5[2.85]	54.0[2.13]	30.0[1.18]	4.5/6.35/7.14 [0.18/0.25/0.28]	0.52-0.64 [0.45 - 0.55]	80 - 100
UM-35	77.5[3.05]	54.0[2.13]	35.0[1.38]	4.5/6.35/7.14 [0.18/0.25/0.28]	0.61-0.74 [0.53 - 0.64]	100 - 120
UM-40	82.5[3.25]	54.0[2.13]	40.0[1.57]	4.5/6.35/7.14 [0.18/0.25/0.28]	0.70-0.85 [0.61 - 0.74]	115 - 140

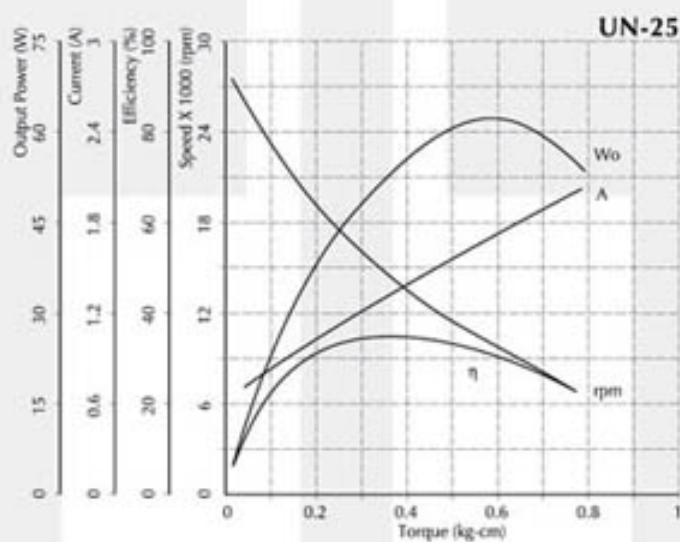
The information above is for reference only, detailed specification is subject to final confirmation

Universal Motor - UN Series

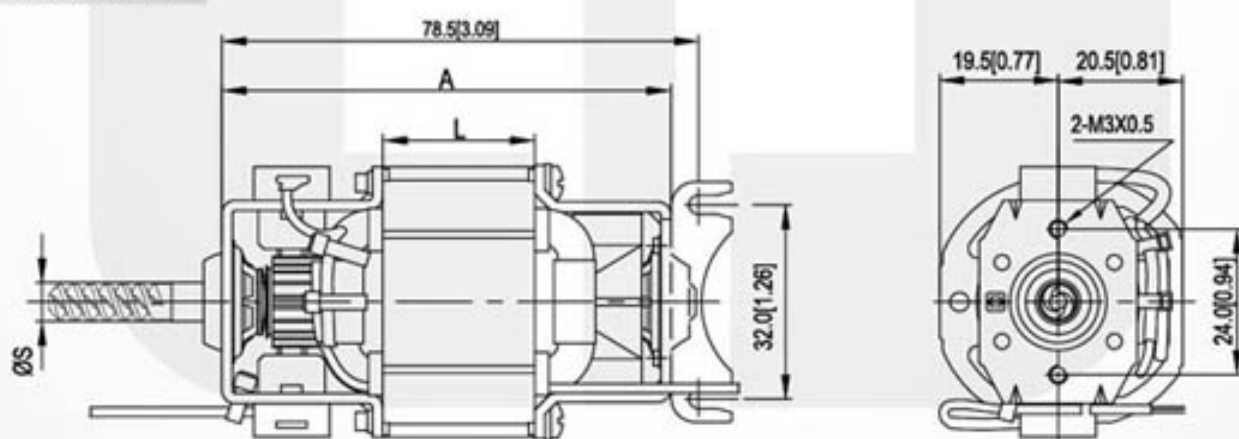


Voltage : 100 - 240V AC (50/60Hz)
 Rated Speed : 17,000 - 23,000rpm
 Rated Output Power: 30 - 45W
 Insulation Class : A, B, F
 Motor Diameter : \varnothing 46mm[1.81inch]
 Typical Application : Electric Knife

Performance Curve



Dimension (mm[inch])



Performance (testing under room temperature)

Model	Dim A mm[inch]	Dim L mm[inch]	Dim S mm[inch]	Rated Torque (kg-cm)[lb-in]	Rated Output Power (W)
UN-25	74.1 [2.92]	25.0 [0.98]	6.35 [0.25]	0.09 - 0.22 [0.08 - 0.19]	30 - 45

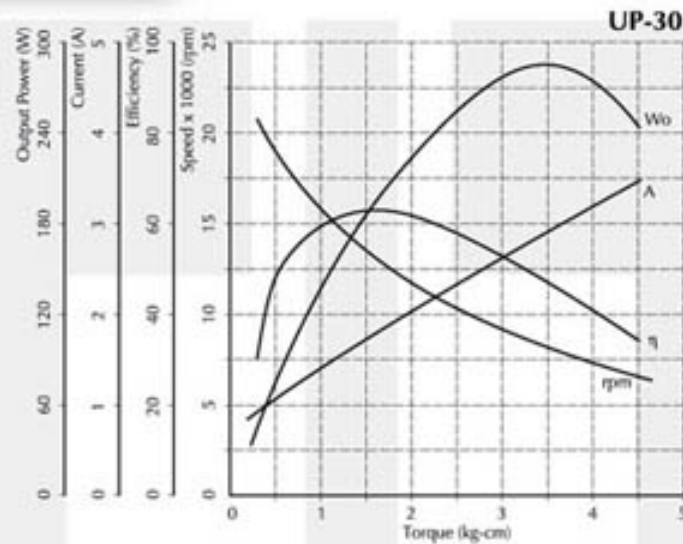
The information above is for reference only, detailed specification is subject to final confirmation



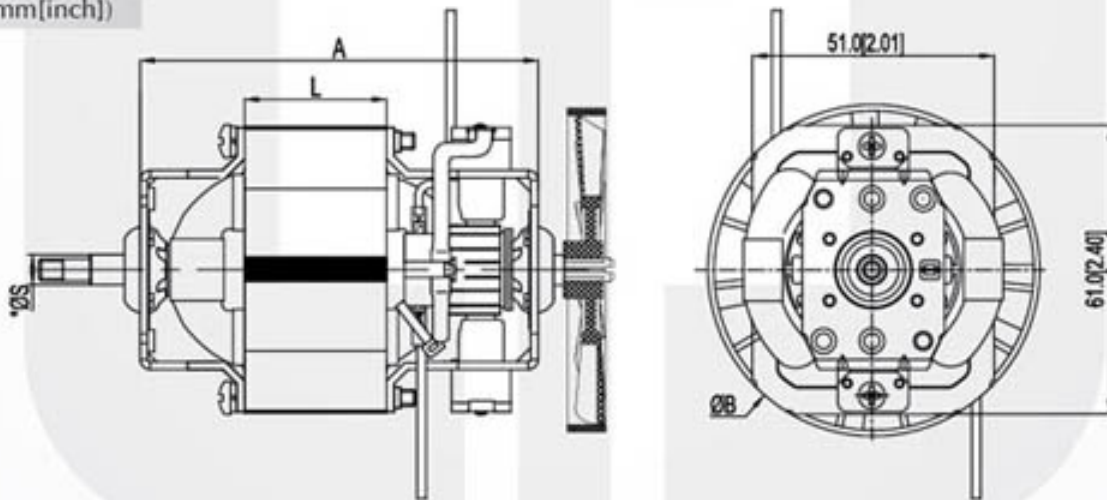
Universal Motor - UP Series

Voltage : 100 - 240V AC (50/60Hz)
 Rated Speed : 12,000 - 18,000rpm
 Rated Output Power: 80 - 360W
 Insulation Class : A, B, F
 Motor Diameter : $\varnothing 70\text{mm}$ [2.76inch]
 Typical Application : Blender, Juice Extractor, Food Processor, Meat Grinder,
 Drink Mixer, Grass Trimmer, Water Pump, Ice Chopper

Performance Curve



Dimension (mm[inch])



Performance (testing under room temperature)

Model	Dim A mm[inch]	Dim B mm[inch]	Dim L mm[inch]	Dim S mm[inch]	Rated Torque (kg-cm[lb-in])	Rated Output Power (W)
UP-15	69.0 [2.72]	70.0 [2.76]	15.0 [0.59]	6.35 - 8.0 [0.25 - 0.31]	0.6 - 2.0 [0.52 - 1.73]	80 - 165
UP-20	74.0 [2.91]	70.0 [2.76]	20.0 [0.79]	6.35 - 8.0 [0.25 - 0.31]	0.8 - 2.4 [0.69 - 2.08]	110 - 220
UP-25	79.0 [3.11]	70.0 [2.76]	25.0 [0.98]	6.35 - 8.0 [0.25 - 0.31]	1.0 - 3.0 [0.87 - 2.60]	135 - 250
UP-30	84.0 [3.31]	70.0 [2.76]	30.0 [1.18]	6.35 - 8.0 [0.25 - 0.31]	1.2 - 3.5 [1.04 - 3.03]	165 - 275
UP-35	89.0 [3.50]	70.0 [2.76]	35.0 [1.38]	6.35 - 8.0 [0.25 - 0.31]	1.5 - 4.0 [1.30 - 3.47]	220 - 300
UP-40	94.0 [3.70]	70.0 [2.76]	40.0 [1.38]	6.35 - 8.0 [0.25 - 0.31]	2.0 - 5.0 [1.73 - 4.34]	275 - 360

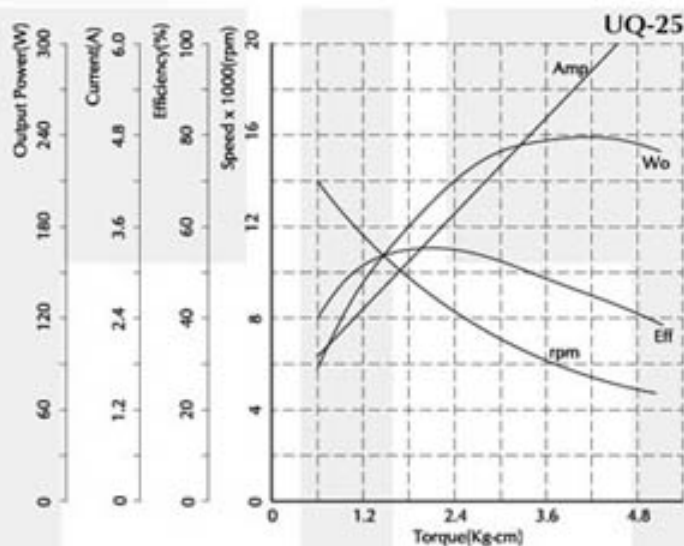
The information above is for reference only, detailed specification is subject to final confirmation



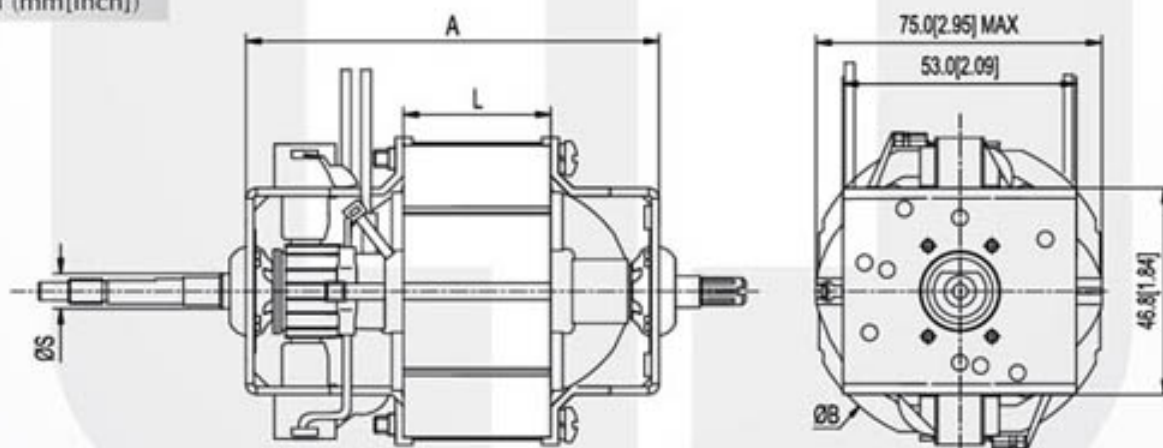
Universal Motor - UQ Series

Voltage : 220 - 240V AC (50/60Hz)
 Rated Speed : 10,000 - 18,000rpm
 Rated Output Power: 100 - 400W
 Insulation Class : B, F
 Motor Diameter : $\varnothing 70\text{mm}$ [2.76inch]
 Typical Application : Blender, Food Processor

Performance Curve



Dimension (mm[inch])



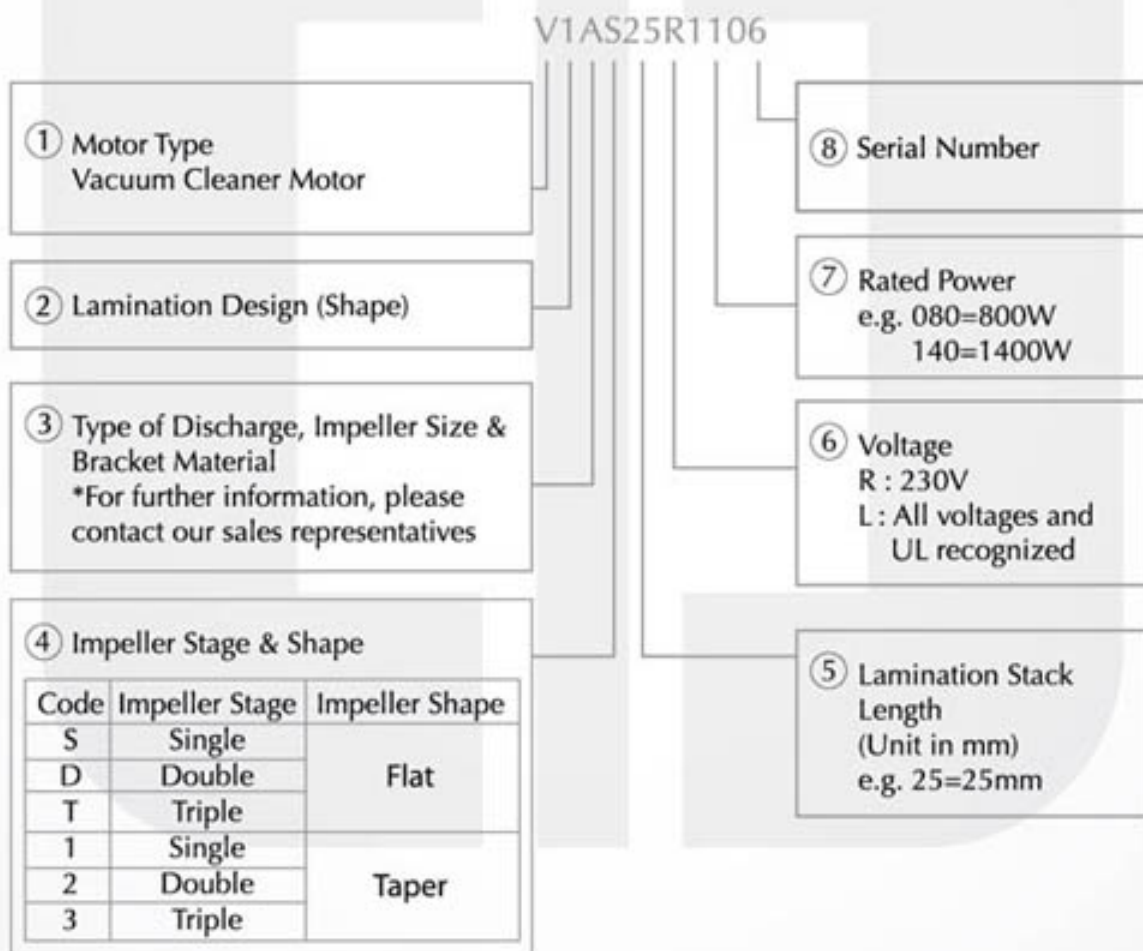
Performance (testing under room temperature)

Model	Dim A mm[inch]	Dim B mm[inch]	Dim L mm[inch]	Dim S mm[inch]	Rated Torque (kg-cm)[lb-in]	Rated Output Power (W)
UQ-20	20[0.79]	70[2.76]	78[3.07]	8.0[0.31]	1.0 - 2.5[0.87 - 2.17]	110 - 250
UQ-25	25[0.98]	70[2.76]	83[3.27]	8.0[0.31]	1.5 - 3.0[1.30 - 2.60]	130 - 275
UQ-30	30[1.18]	70[2.76]	88[3.46]	8.0[0.31]	1.5 - 3.5[1.30 - 3.04]	165 - 330
UQ-35	35[1.38]	70[2.76]	93[3.66]	8.0[0.31]	2.0 - 4.0[1.74 - 3.47]	220 - 415
UQ-40	40[1.57]	70[2.76]	98[3.89]	8.0[0.31]	2.5 - 5.0[2.17 - 4.34]	275 - 500
UQ-45	45[1.77]	70[2.76]	103[4.06]	8.0[0.31]	3.0 - 6.0[2.60 - 5.21]	330 - 550

The information above is for reference only, detailed specification is subject to final confirmation

Vacuum Cleaner Motor

CCL Vacuum Cleaner (VC) motors are classified into 2 main types in accordance to the type of discharge – through flow (dry type) and by pass (wet/dry type), with different input power, suction, air flow and life expectancy. Generally our VC motors are suitable for vacuum cleaners like canister, upright, stick and handheld. Upon customer requests, CCL can customize VC motors with desired performances and dimensions.



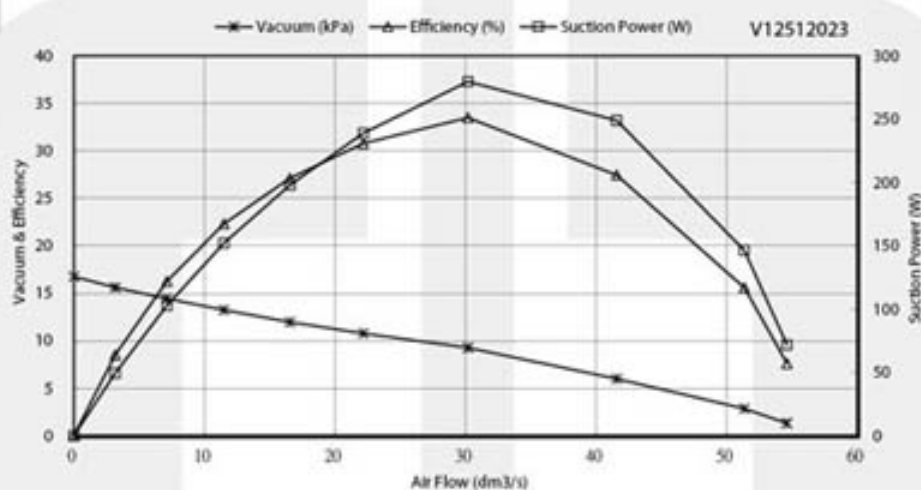
The information above is for reference only, detailed specification is subject to final confirmation



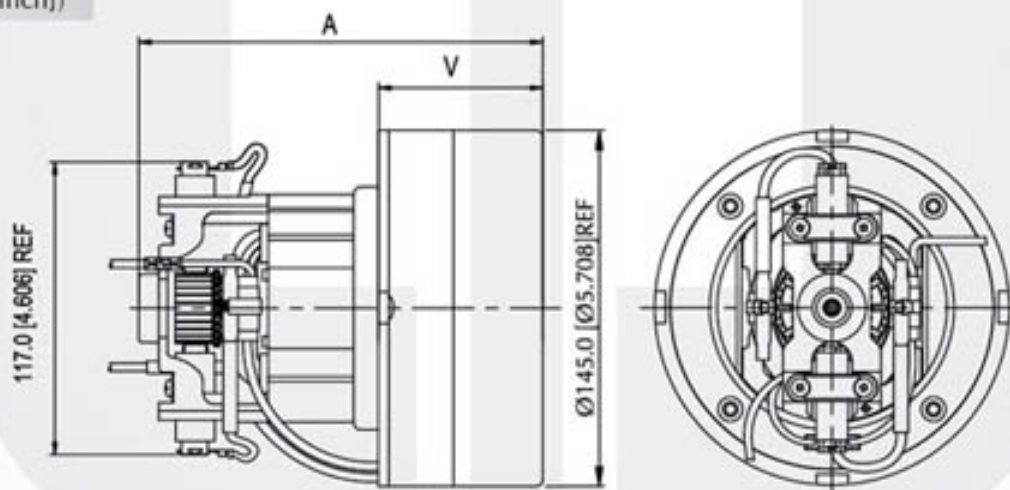
VC Motor - V1 Through Flow Series

Voltage : 100-240V AC (50/60Hz), 12-36V DC
 Rated Speed : 14,000 - 30,000rpm
 Rated Input Power : 300 - 1,400W
 Blower Diameter : \varnothing 143.3-151.0mm[5.64-5.94inch]
 Stage : Single, Double
 Suction : 27.46KPa [110.24in-H₂O]
 Volume Flow Rate : 55.0dm³/s [116.54CFM]
 Typical Application : Vacuum Cleaner

Performance Curve



Dimension (mm[inch])



Performance (testing under room temperature)

Model	Dim A mm[inch]	Dim V mm[inch]	Stage	Rated Input Power (W)	Maximum		
					Suction KPa[in-H ₂ O]	Output Power (W)	Volume Flow Rate (dm ³ /s)[CFM]
V12120	125.5[4.94]	46[1.81]	Single	800	18.63[74.80]	275	55.0[116.54]
V12130	136.0[5.35]	46[1.81]	Single	1,200	23.54[94.49]	380	55.0[116.54]
V12D30	156.5[6.16]	66[2.60]	Double	1,000	23.54[94.49]	345	50.0[105.94]
V12D38	165.0[6.50]	66[2.60]	Double	1,400	27.46[110.24]	440	52.0[110.18]

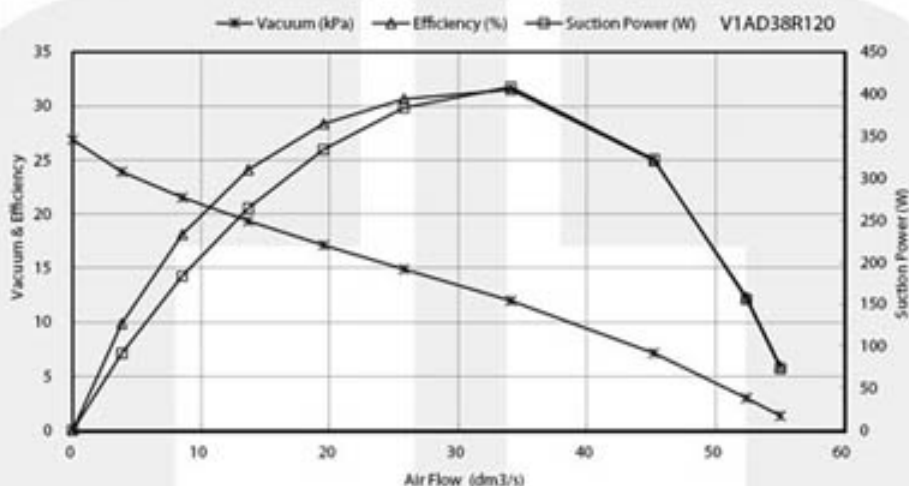
The information above is for reference only, detailed specification is subject to final confirmation



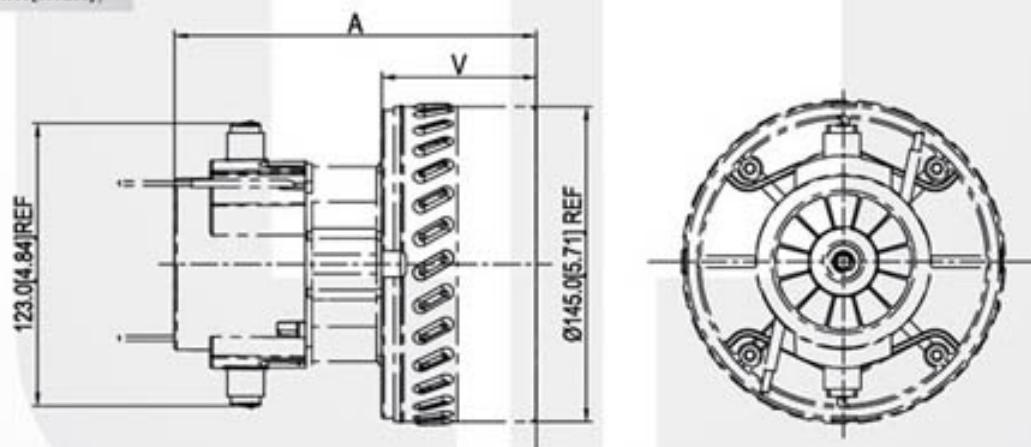
VC Motor - V1 By Pass Series

Voltage : 100-240V AC (50/60Hz), 12-36V DC
 Rated Speed : 14,000 - 30,000rpm
 Rated Input Power : 300 - 1,400W
 Blower Diameter : \varnothing 143.3-151.0mm[5.64-5.94inch]
 Stage : Single, Double
 Suction : 25.50KPa [102.36in-H₂O]
 Volume Flow Rate : 65.0dm³/s [137.73CFM]
 Typical Application : Vacuum Cleaner

Performance Curve



Dimension (mm[inch])



Performance (testing under room temperature)

Model	Dim A mm[inch]	Dim V mm[inch]	Stage	Rated Input Power (W)	Maximum		
					Suction KPa[in-H ₂ O]	Output Power (W)	Volume Flow Rate (dm ³ /s)[CFM]
VIAS25	136.5[5.37]	50.0[1.97]	Single	1100	16.67[66.93]	330	63.5[134.55]
VIAD25	163.0[6.42]	69.0[2.72]	Double	1200	25.50[102.36]	385	53.5[113.36]
VIAD38	175.0[6.89]	69.0[2.72]	Double	1300	24.52[98.43]	450	65.0[137.73]
VIBD38	175.0[6.89]	69.0[2.72]	Double	1200	24.52[98.43]	405	55.0[116.54]

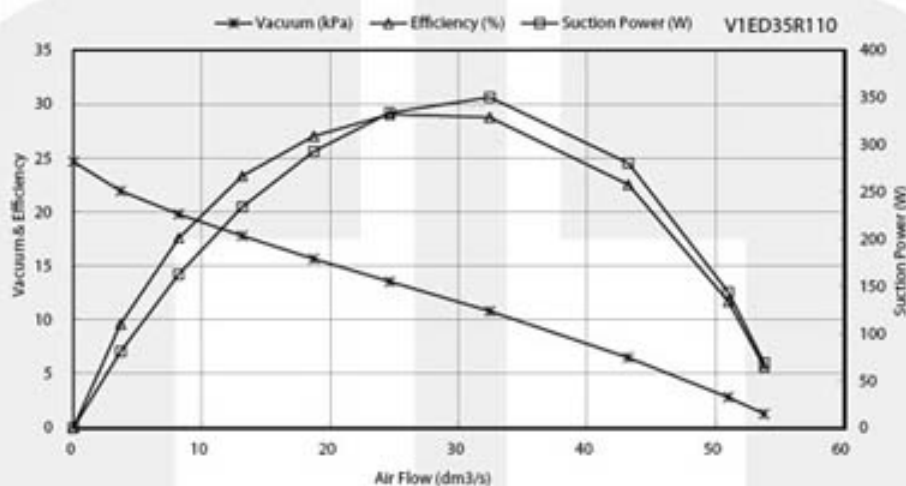
The information above is for reference only, detailed specification is subject to final confirmation



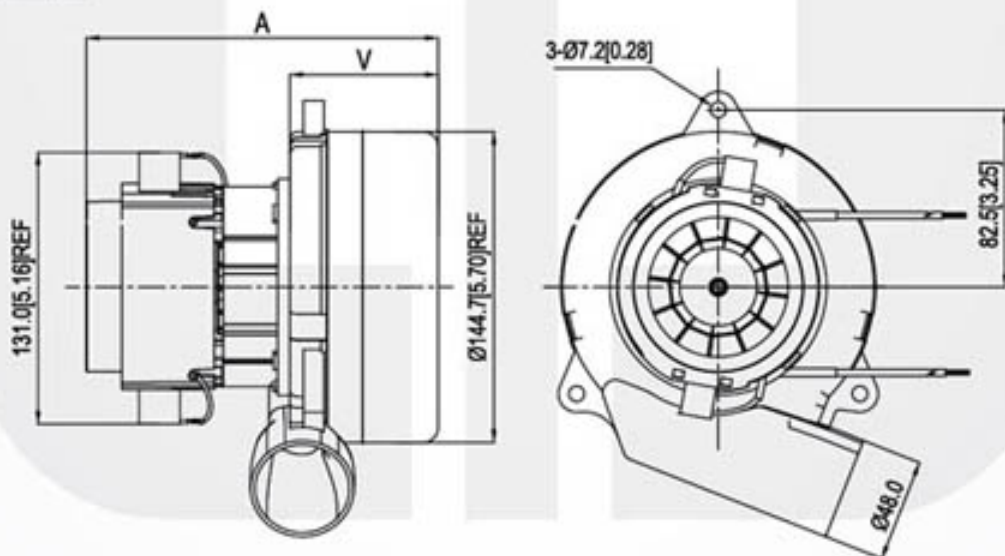
VC Motor - V1 By Pass (Tangential)

Voltage : 100-240V AC (50/60Hz), 12-36V DC
 Rated Speed : 14,000 - 30,000rpm
 Rated Input Power : 300 - 1,400W
 Blower Diameter : $\text{O}143.3\text{-}151.0\text{mm}$ [5.64-5.94inch]
 Stage : Double
 Suction : 24.66KPa [99.02in-H₂O]
 Volume Flow Rate : 53.5dm³/s [113.36CFM]
 Typical Application : Vacuum Cleaner

Performance Curve



Dimension (mm[inch])



Performance (testing under room temperature)

Model	Dim A mm[inch]	Dim V mm[inch]	Stage	Rated Input Power (W)	Maximum		
					Suction KPa[in-H ₂ O]	Output Power (W)	Volume Flow Rate (dm ³ /s)[CFM]
V1ED35	174.0[6.85]	69.30[2.73]	Double	1210	24.66[99.02]	350	53.5[113.36]

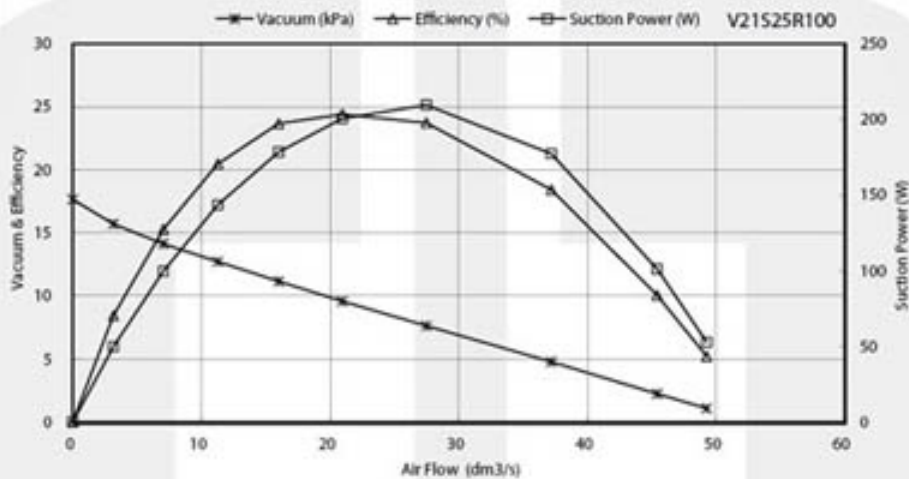
The information above is for reference only, detailed specification is subject to final confirmation



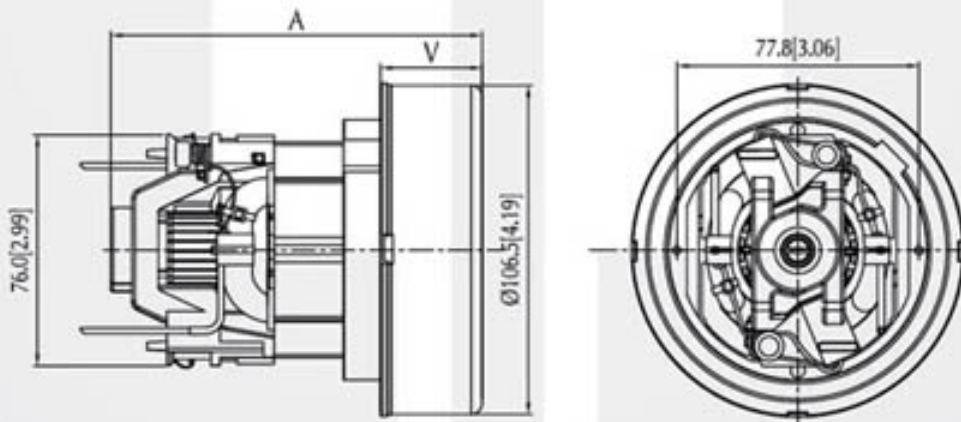
VC Motor - V2 Through Flow Series

Voltage : 100 - 240V AC (50/60Hz)
 Rated Speed : 23,000 - 27,000rpm
 Rated Input Power : 1,000W
 Blower Diameter : $\text{O}108\text{mm}$ [4.25inch]
 Stage : Single, Double
 Suction : 22.55KPa [90.55in-H₂O]
 Volume Flow Rate : 49.5dm³/s [104.88CFM]
 Typical Application : Vacuum Cleaner, Hand Dryer

Performance Curve



Dimension (mm[inch])



Performance (testing under room temperature)

Model	Dim A mm[inch]	Dim V mm[inch]	Stage	Rated Input Power (W)	Maximum		
					Suction KPa[in-H ₂ O]	Output Power (W)	Volume Flow Rate (dm ³ /s)[CFM]
V21S25	121.0[4.76]	35.5[1.40]	Single	1,000	17.16[68.90]	210	49.5[104.88]
V22S30	122.0[4.80]	33.0[1.30]	Single	700	14.22[57.09]	160	43.0[91.11]
V21D25	147.5[5.81]	60.0[2.36]	Double	1,000	22.55[90.55]	250	43.0[91.11]
V22D40	160.0[6.30]	60.0[2.36]	Double	1,000	21.57[86.61]	240	43.0[91.11]

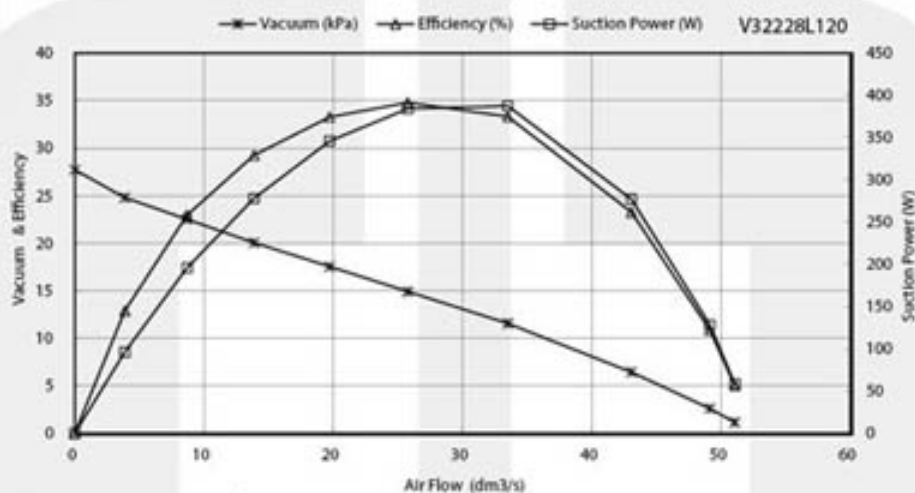
The information above is for reference only, detailed specification is subject to final confirmation



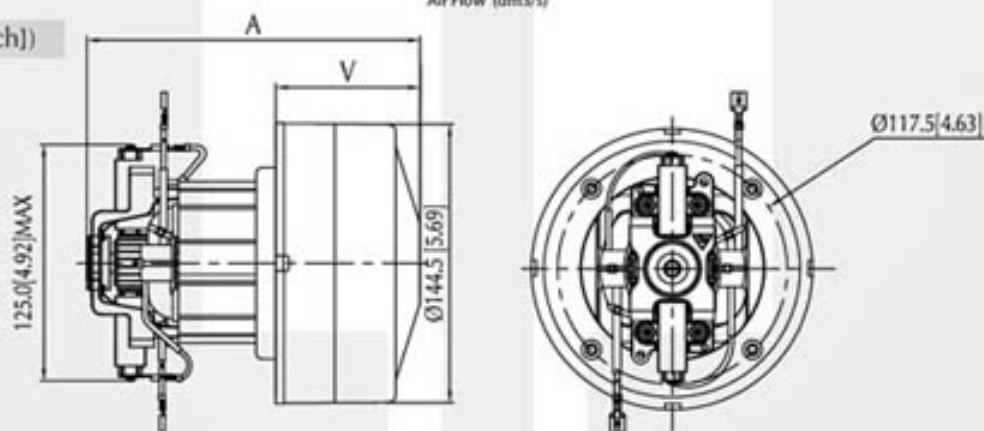
VC Motor - V3 Through Flow Series

Voltage : 100-240V AC (50/60Hz), 12-36V DC
 Rated Speed : 14,000 - 32,000rpm
 Rated Input Power : 300 - 1,700W
 Blower Diameter : \varnothing 144.5-152.1mm[5.69-5.99inch]
 Stage : Single, Double
 Suction : 30.89KPa [124.02in-H₂O]
 Volume Flow Rate : 65.0dm³/s [137.73CFM]
 Typical Application : Vacuum Cleaner

Performance Curve



Dimension (mm[inch])



Performance (testing under room temperature)

Model	Dim A mm[inch]	Dim V mm[inch]	Stage	Rated Input Power (W)	Maximum		
					Suction KPa[in-H ₂ O]	Output Power (W)	Volume Flow Rate (dm ³ /s)[CFM]
V36125	130.50[5.14]	59.0[2.32]	Single	1100	20.59[82.68]	350	65.0[137.73]
V36S20	127.50[5.02]	45.0[1.77]	Single	700	15.69[62.99]	200	50.0[105.94]
V36D28	143.30[5.64]	68.80[2.71]	Double	800	20.59[82.68]	250	45.0[95.35]
V32D28	156.0[6.14]	66.0[2.60]	Double	1000	24.52[98.43]	350	50.0[105.94]
V32228	151.0[5.94]	67.50[2.66]	Double	1200	26.97[108.27]	390	50.0[105.94]
V32D38	160.0[6.30]	66.50[2.62]	Double	1300	26.48[106.30]	500	60.0[127.13]
V32245	172.0[6.77]	72.50[2.85]	Double	1500	30.89[124.02]	575	60.0[127.13]

The information above is for reference only, detailed specification is subject to final confirmation

Email: sales@cclmotors.com Website: <http://www.cclmotors.com>
 4/F, No. 6, On Lok Mun Street, On Lok Tsuen, Fanling, N.T., Hong Kong

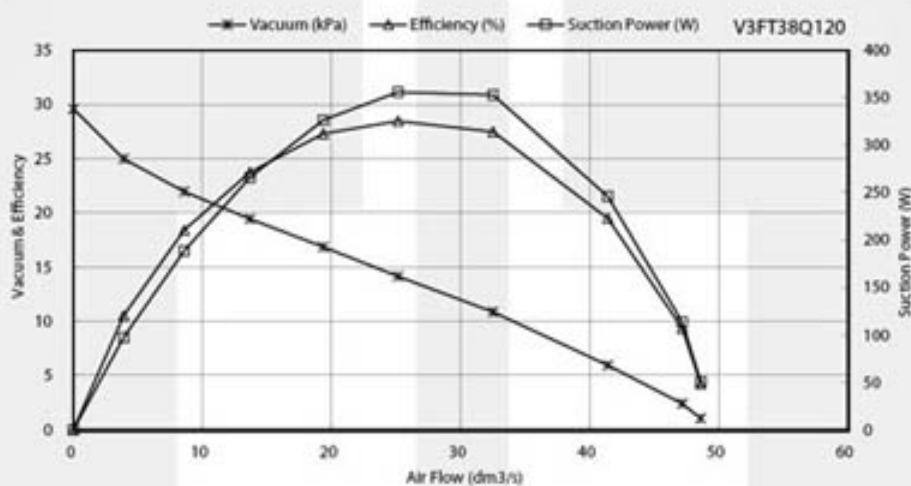
Tel: (852) 3125 0000 Fax: (852) 3125 0125



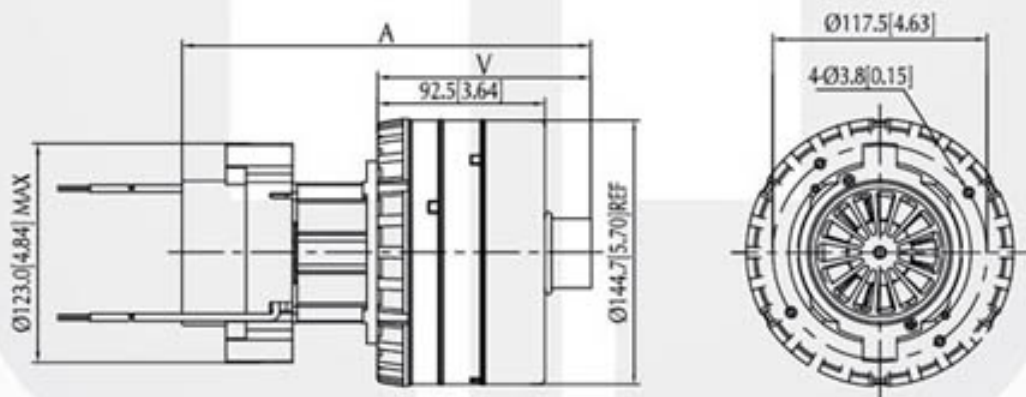
VC Motor - V3 By Pass Series

Voltage	: 100-240V AC (50/60Hz), 12-36V DC
Rated Speed	: 14,000 - 32,000rpm
Rated Input Power	: 300 - 1,700W
Blower Diameter	: Ø144.5-152.1mm[5.69-5.99inch]
Stage	: Double, Triple
Suction	: 29.42KPa [118.11in-H2O]
Volume Flow Rate	: 50.0dm ³ /s [105.94CFM]
Typical Application	: Vacuum Cleaner

Performance Curve



Dimension (mm[inch])



Performance (testing under room temperature)

Model	Dim A mm[inch]	Dim V mm[inch]	Stage	Rated Input Power (W)	Maximum		
					Suction KPa[in-H2O]	Output Power (W)	Volume Flow Rate (dm ³ /s)[CFM]
V3FD28	166.4[6.55]	69.0[2.72]	Double	900	20.59[82.68]	265	50.0[105.94]
V3FT38	225.5[8.88]	118.0[4.65]	Triple	1,200	29.42[118.11]	350	50.0[105.94]
V3GT38	199.8[7.87]	91.5[3.60]	Triple	1,135	29.11[116.87]	355	49.0[103.83]
V3HD38	170.0[6.69]	69.0[2.72]	Double	1,300	24.03[96.46]	390	50.0[105.94]

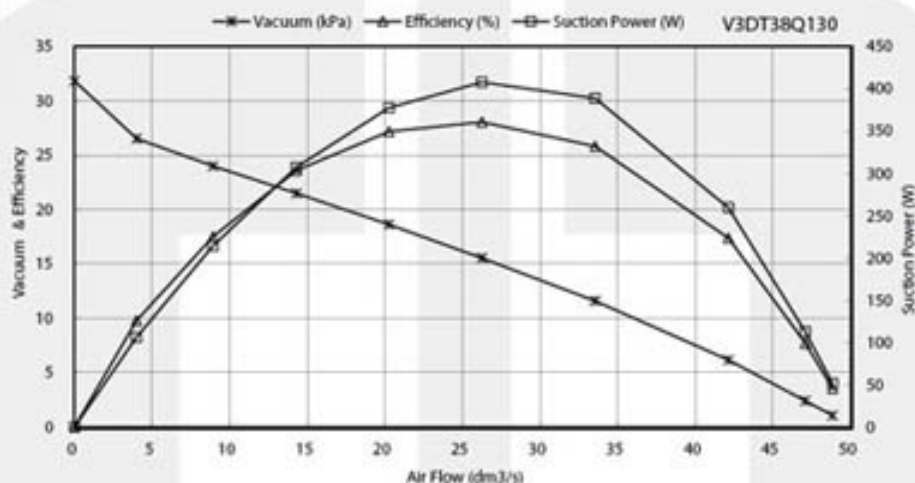
The information above is for reference only, detailed specification is subject to final confirmation



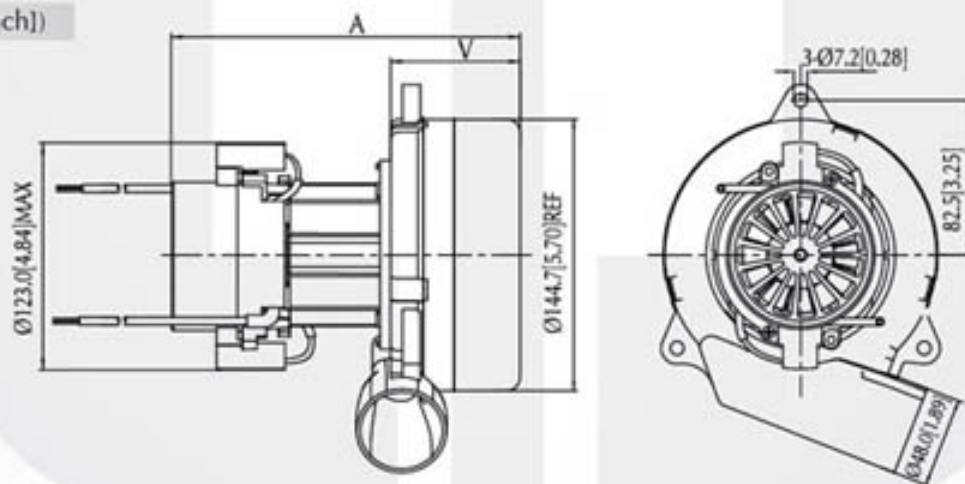
VC Motor - V3 By Pass (Tangential)

Voltage : 100-240V AC (50/60Hz), 12-36V DC
 Rated Speed : 14,000 - 32,000rpm
 Rated Input Power : 300 - 1,700W
 Blower Diameter : \varnothing 144.5-152.1mm[5.69-5.99inch]
 Stage : Double, Triple
 Suction : 33.34KPa [133.86in-H₂O]
 Volume Flow Rate : 58.0dm³/s [122.9CFM]
 Typical Application : Vacuum Cleaner

Performance Curve



Dimension (mm[inch])



Performance (testing under room temperature)

Model	Dim A mm[inch]	Dim V mm[inch]	Stage	Rated Input Power (W)	Maximum		
					Suction KPa[in-H ₂ O]	Output Power (W)	Volume Flow Rate (dm ³ /s)[CFM]
V3DD38	176.0[6.93]	69.0[2.72]	Double	1,700	33.34[133.86]	540	55.0[116.54]
V3D238	183.0[7.20]	76.0[2.99]	Double	1,500	27.46[110.24]	515	58.0[122.90]
V3DT38	199.0[7.83]	92.2[3.63]	Triple	1,200	30.89[124.02]	380	40.0[84.76]
V3ED28	167.3[6.59]	69.3[2.73]	Double	1,000	25.95[102.74]	320	49.75[105.41]

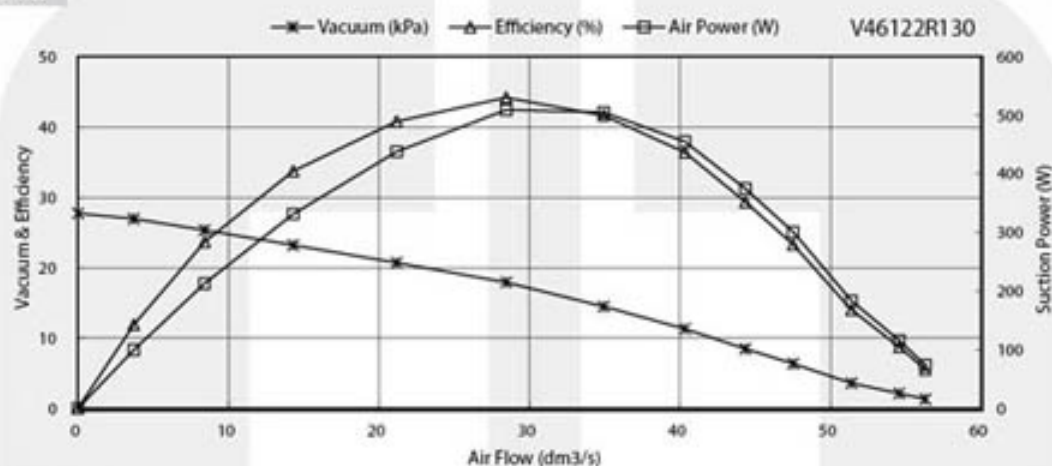
The information above is for reference only, detailed specification is subject to final confirmation



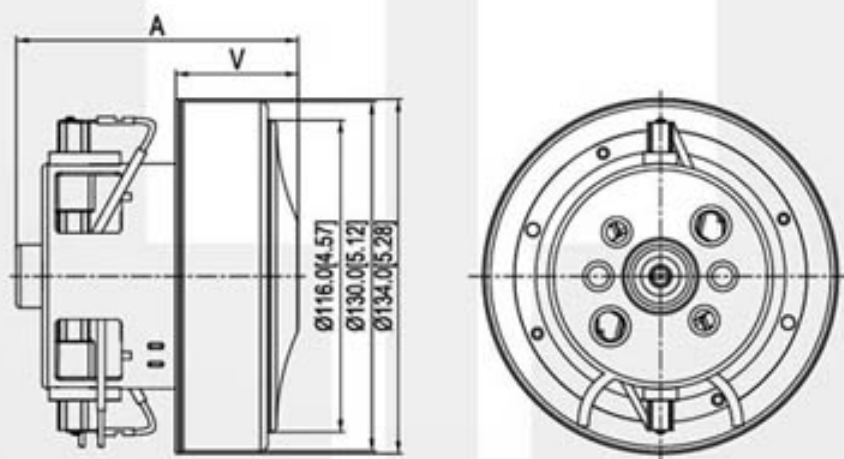
VC Motor - V4 Through Flow Series

Voltage	: 100 - 240V AC (50/60Hz)
Rated Speed	: 25,000 - 48,000rpm
Rated Input Power	: 300 - 1,700W
Blower Diameter	: Ø130-144.5mm[5.12-5.69inch]
Stage	: Single
Suction	: 31.38KPa [125.98in-H2O]
Volume Flow Rate	: 58.5dm ³ /s [124.02CFM]
Typical Application	: Vacuum Cleaner, Hand Dryer

Performance Curve



Dimension (mm[inch])



Performance (testing under room temperature)

Model	Dim A mm[inch]	Dim V mm[inch]	Stage	Rated Input Power (W)	Maximum		
					Suction KPa[in-H2O]	Output Power (W)	Volume Flow Rate (dm ³ /s[CFM])
V46118	111.80[4.40]	45.50[1.79]	Single	1,000	24.52[98.43]	421	58.5[124.02]
V46122R	108.40[4.27]	46.20[1.82]	Single	1,700	31.38[125.98]	575	56.5[119.78]
V46122S	114.30[4.50]	40.80[1.61]	Single	1,300	23.71[95.20]	485	56.0[118.66]

The information above is for reference only, detailed specification is subject to final confirmation

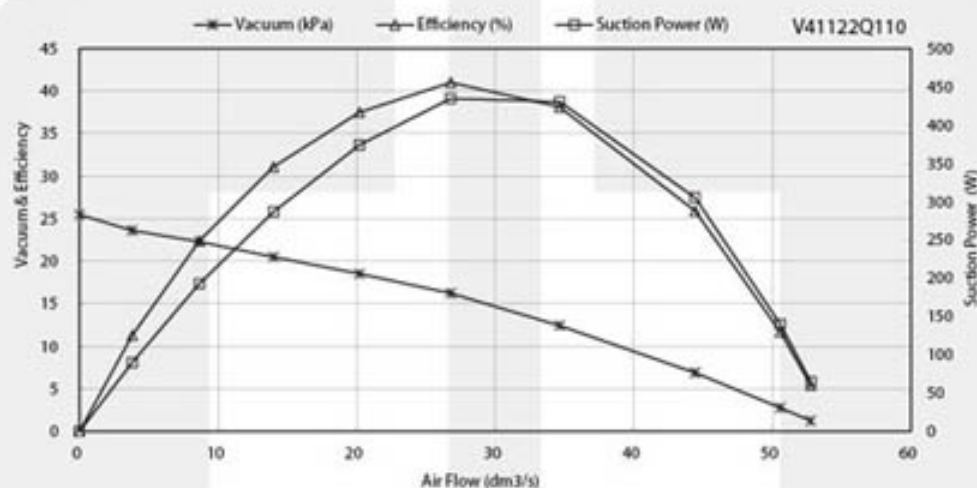


VC Motor - V4 Through Flow Series (BMC)

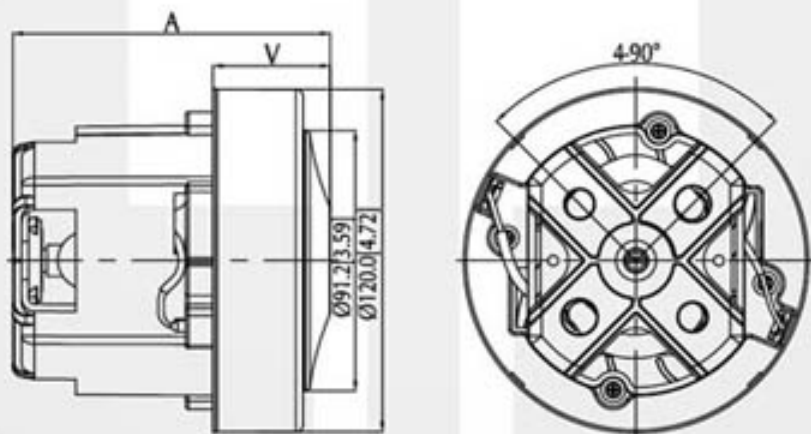
Voltage : 100-240V AC (50/60Hz)
 Rated Speed : 23,000 - 48,000rpm
 Rated Input Power : 400 - 1,400W
 Blower Diameter : $\text{O}120\text{mm}$ [4.72inch]
 Stage : Single
 Suction : 25.47KPa [102.26in-H₂O]
 Volume Flow Rate : 50.0dm³/s [106.0CFM]
 Typical Application : Vacuum Cleaner

*Bulk Molding Compound (BMC)

Performance Curve



Dimension (mm[inch])



Performance (testing under room temperature)

Model	Dim A mm[inch]	Dim V mm[inch]	Stage	Rated Input		Maximum	
				Power (W)	Suction KPa[in-H ₂ O]	Output Power (W)	Volume Flow Rate (dm ³ /s[CFM])
V41122	109.60[4.31]	39.60[1.56]	Single	1,200	25.47[102.26]	440	50.0[106.0]

The information above is for reference only, detailed specification is subject to final confirmation

Email: sales@cclmotors.com Website: <http://www.cclmotors.com>
 4/F, No. 6, On Lok Mun Street, On Lok Tsuen, Fanling, N.T., Hong Kong

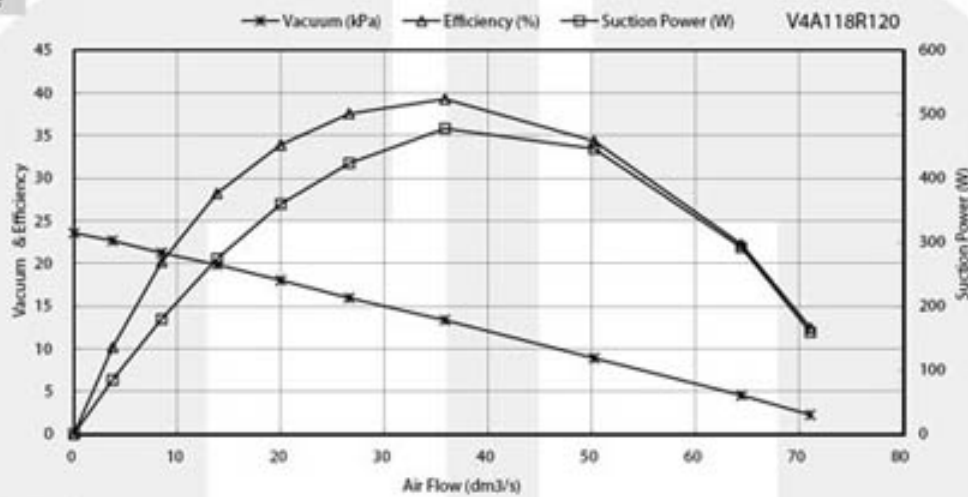
Tel: (852) 3125 0000 Fax: (852) 3125 0125



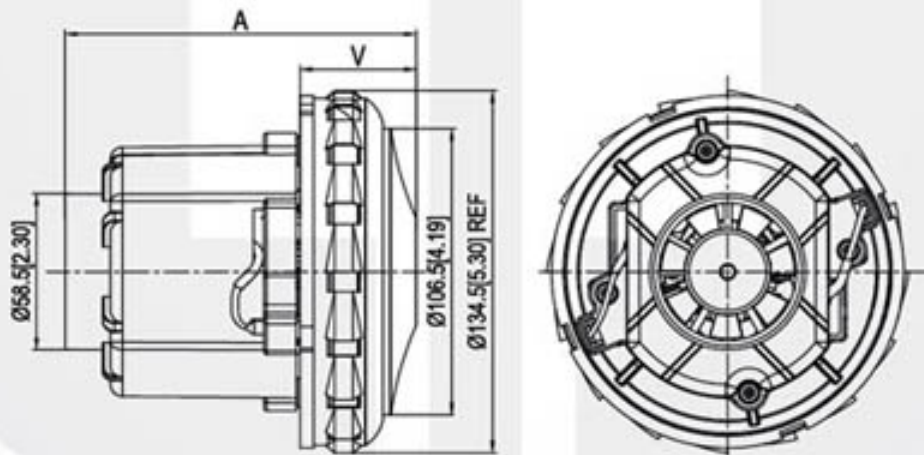
VC Motor - V4 By Pass Series

Voltage : 100 - 240V AC (50/60Hz)
 Rated Speed : 23,000 - 48,000rpm
 Rated Input Power : 400 - 1,500W
 Blower Diameter : \varnothing 130mm[5.12inch]
 Stage : Single
 Suction : 23.0KPa [90.73in-H2O]
 Volume Flow Rate : 70.0dm³/s [148.4CFM]
 Typical Application : Vacuum Cleaner

Performance Curve



Dimension (mm[inch])



Performance (testing under room temperature)

Model	Dim A mm[inch]	Dim V mm[inch]	Stage	Rated Input Power (W)	Maximum		
					Suction KPa[in-H2O]	Output Power (W)	Volume Flow Rate (dm ³ /s)[CFM]
V4A122	131.50[5.18]	43.50[1.71]	Single	1,200	23.0[90.73]	500	70.0[148.40]

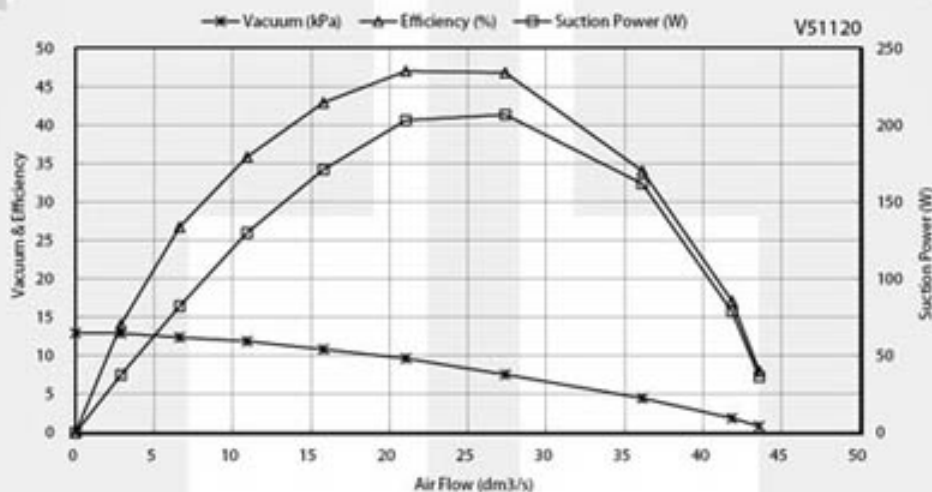
The information above is for reference only, detailed specification is subject to final confirmation



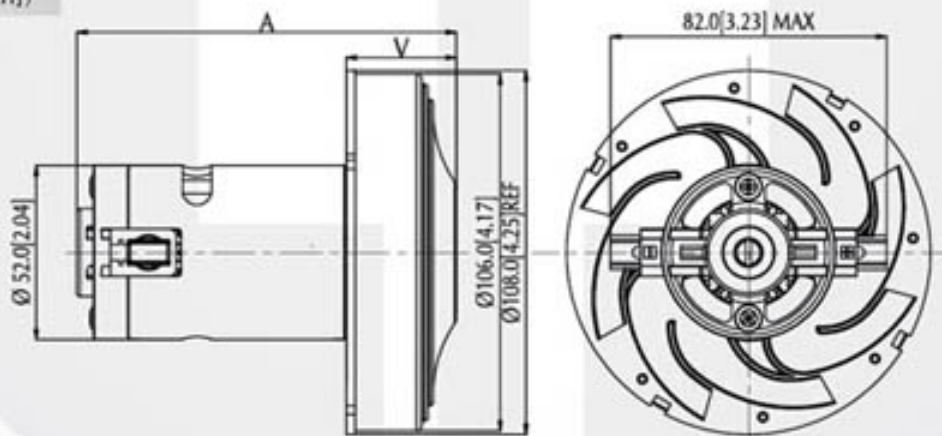
VC Motor - V5 Through Flow Series

Voltage : 12 - 36V DC
 Rated Speed : 15,000 - 38,000rpm
 Rated Input Power : 150 - 500W
 Blower Diameter : $\varnothing 106\text{mm}$ [4.17inch]
 Stage : Single
 Suction : 13.73KPa [55.12in-H₂O]
 Volume Flow Rate : 44.50dm³/s [94.29CFM]
 Typical Application : Vacuum Cleaner, Hand Dryer

Performance Curve



Dimension (mm[inch])



Performance (testing under room temperature)

Model	Dim A mm[inch]	Dim V mm[inch]	Stage	Rated Input Power (W)	Maximum		
					Suction KPa[in-H ₂ O]	Output Power (W)	Volume Flow Rate (dm ³ /s[CFM])
V51120	112.5[4.43]	32.7[1.29]	Single	500	13.73[55.12]	228	44.50[94.29]

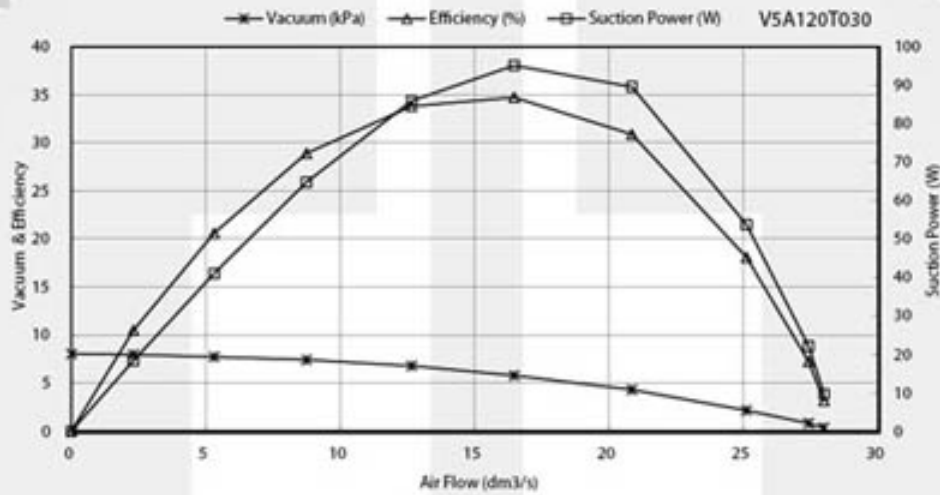
The information above is for reference only, detailed specification is subject to final confirmation



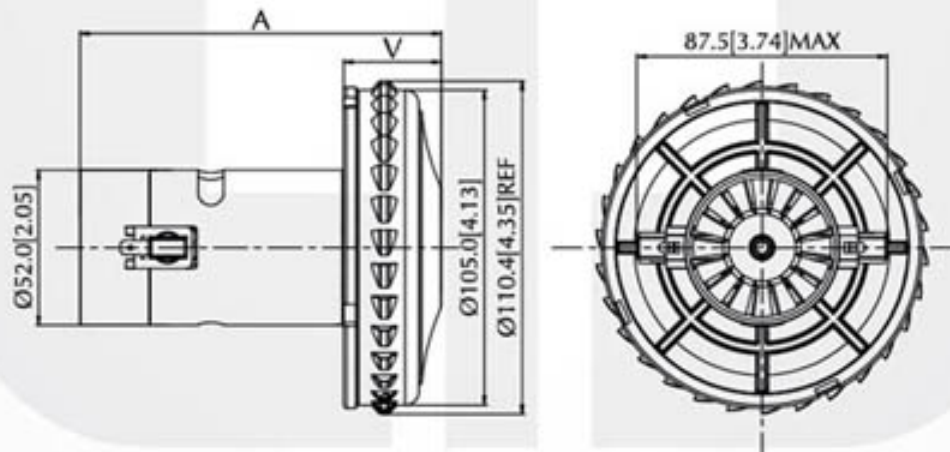
VC Motor - V5 By Pass Series

Voltage	: 12 - 36V DC
Rated Speed	: 18,000 - 38,000rpm
Rated Input Power	: 150 - 500W
Blower Diameter	: \varnothing 110.4mm[4.35inch]
Stage	: Single
Suction	: 10.6KPa [42.52in-H2O]
Volume Flow Rate	: 23.67dm ³ /s [50.15CFM]
Typical Application	: Vacuum Cleaner, Hand Dryer

Performance Curve



Dimension (mm[inch])



Performance (testing under room temperature)

Model	Dim A mm[inch]	Dim V mm[inch]	Stage	Rated Input Power (W)	Maximum		
					Suction KPa[in-H2O]	Output Power (W)	Volume Flow Rate (dm ³ /s[CFM])
V5A120	120.5[4.74]	32.5[1.28]	Single	400	10.60[42.52]	107	23.67[50.15]

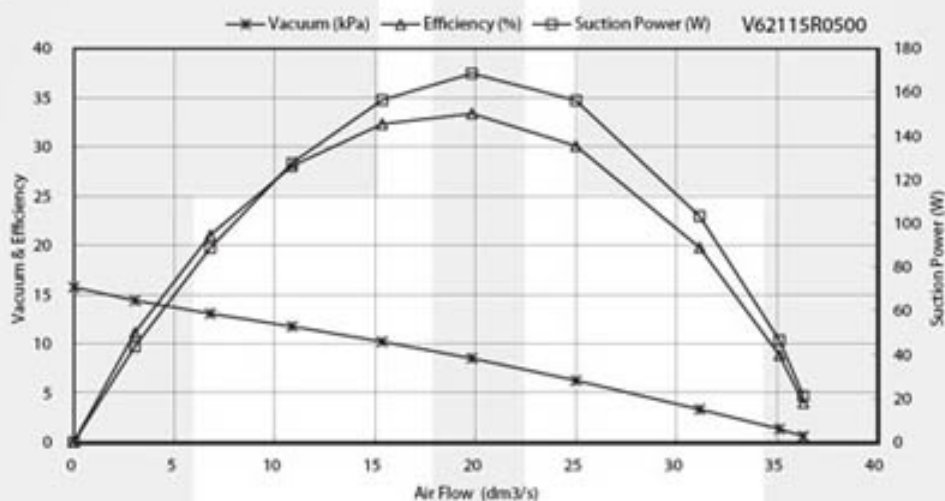
The information above is for reference only, detailed specification is subject to final confirmation



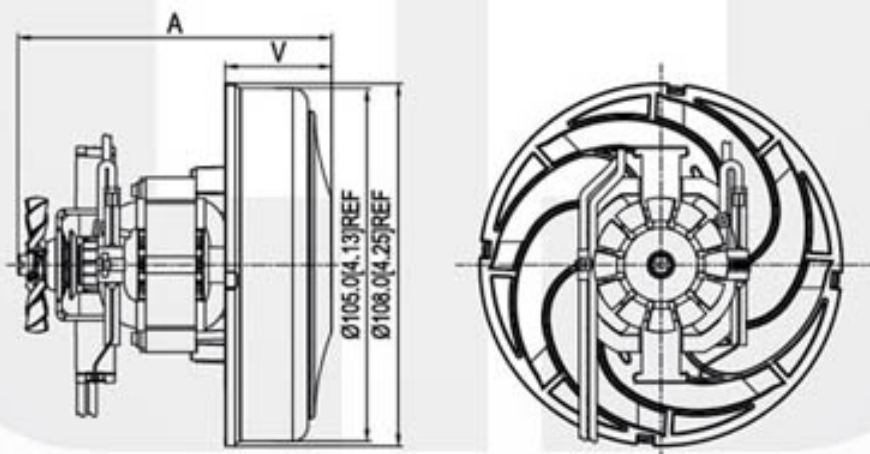
VC Motor - V6 Through Flow Series

Voltage : 100 - 240V AC (50/60Hz)
 Rated Speed : 18,000 - 45,000rpm
 Rated Input Power : 300 - 800W
 Blower Diameter : $\text{O}108\text{-}110.4\text{mm}$ [4.25-4.35inch]
 Stage : Single
 Suction : 11.77KPa [47.24in-H₂O]
 Volume Flow Rate : 31.50dm³/s [66.74CFM]
 Typical Application : Vacuum Cleaner, Hand Dryer

Performance Curve



Dimension (mm[inch])



Performance (testing under room temperature)

Model	Dim A mm[inch]	Dim V mm[inch]	Stage	Rated Input Power (W)	Maximum		
					Suction KPa[in-H ₂ O]	Output Power (W)	Volume Flow Rate (dm ³ /s)[CFM]
V62115	94.0[4.40]	32.0[4.40]	Single	400	11.77[47.24]	113	31.50[66.74]

The information above is for reference only, detailed specification is subject to final confirmation

Email: sales@cclmotors.com Website: <http://www.cclmotors.com>
 4/F, No. 6, On Lok Mun Street, On Lok Tsuen, Fanling, N.T., Hong Kong

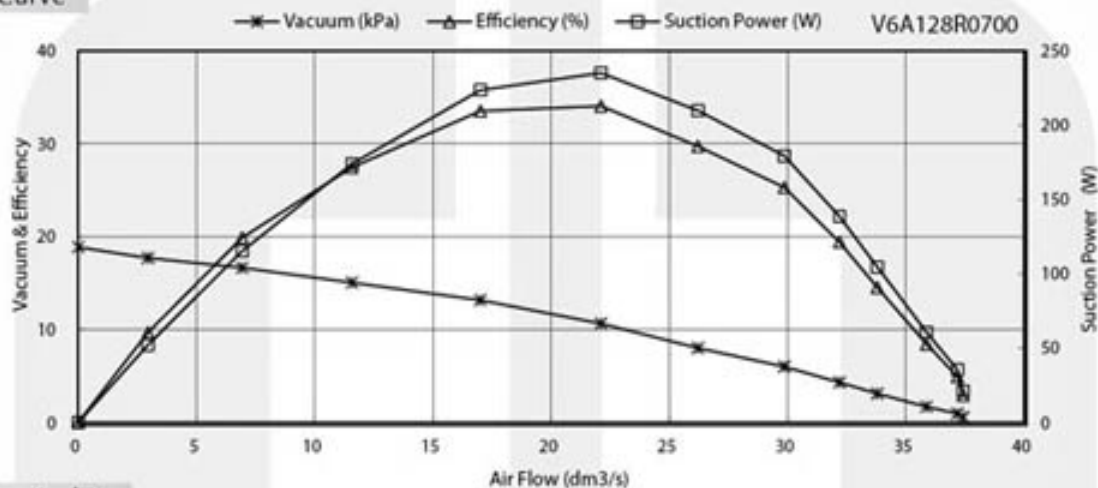
Tel: (852) 3125 0000 Fax: (852) 3125 0125



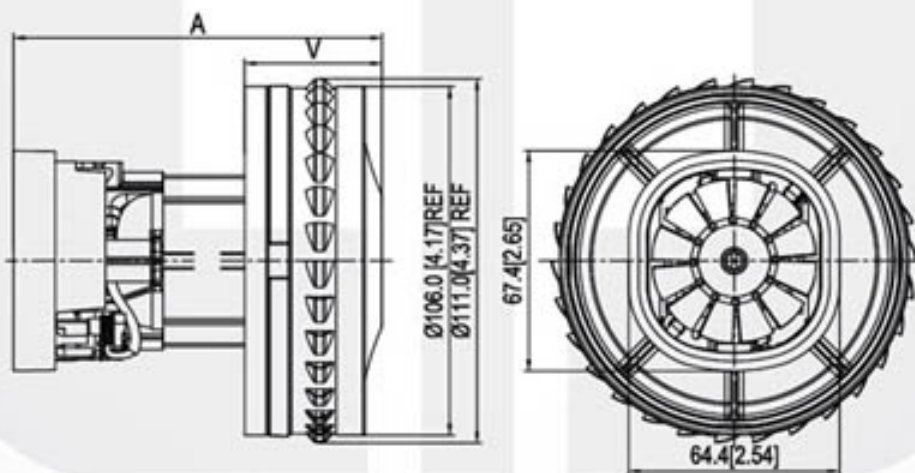
VC Motor - V6 By Pass Series

Voltage	: 100 - 240V AC (50/60Hz)
Rated Speed	: 18,000 - 45,000rpm
Rated Input Power	: 300 - 800W
Blower Diameter	: \varnothing 108-110.4mm[4.25-4.35inch]
Stage	: Single
Suction	: 18.14KPa [72.83in-H ₂ O]
Volume Flow Rate	: 36.0dm ³ /s [76.28CFM]
Typical Application	: Vacuum Cleaner

Performance Curve



Dimension (mm[inch])



Performance (testing under room temperature)

Model	Dim A mm[inch]	Dim V mm[inch]	Stage	Rated Input Power (W)	Maximum		
					Suction KPa[in-H ₂ O]	Output Power (W)	Volume Flow Rate (dm ³ /s)[CFM]
V6A128	114.0[4.49]	39.0[1.54]	Single	600	16.67[66.93]	190	35.0[74.16]
V6A128	112.0[4.41]	43.4[1.71]	Single	700	18.14[72.83]	220	36.0[76.28]

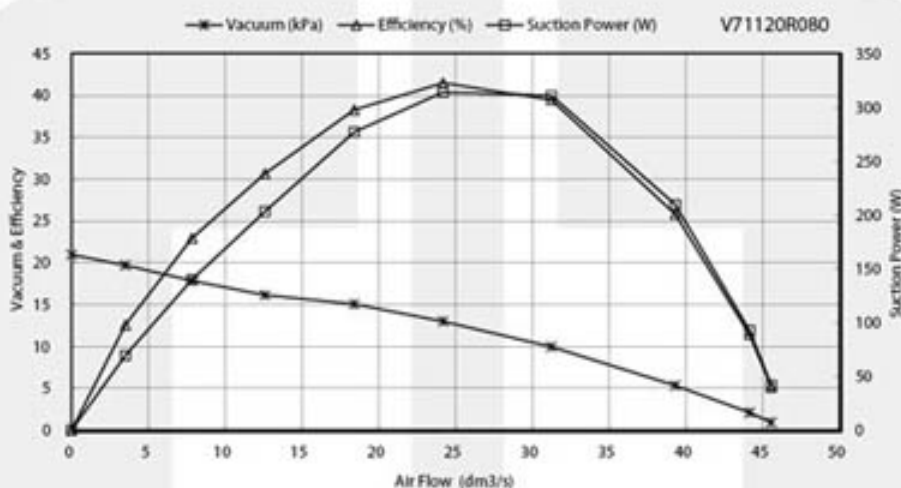
The information above is for reference only, detailed specification is subject to final confirmation



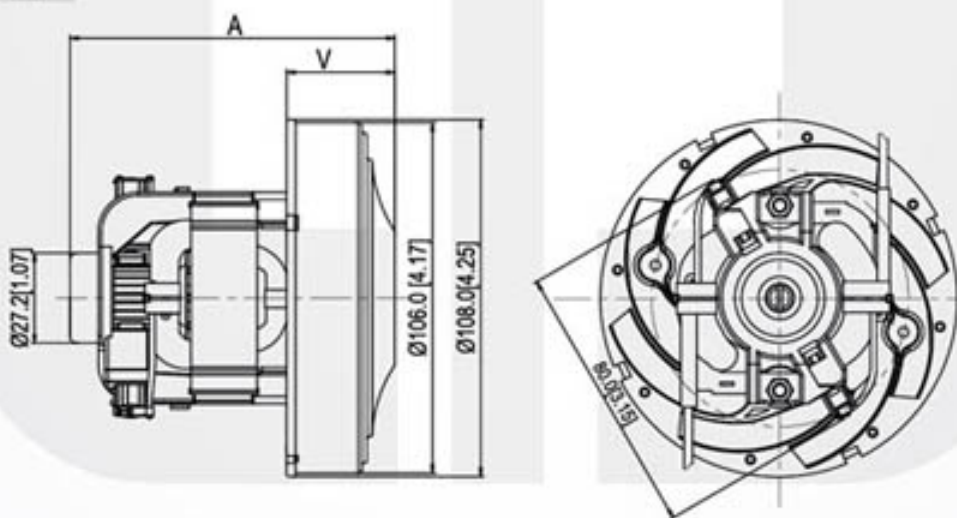
VC Motor - V7 Through Flow Series

Voltage : 100 - 240V AC (50/60Hz)
 Rated Speed : 35,000rpm
 Rated Input Power : 800W
 Blower Diameter : $\text{Ø}108\text{mm}$ [4.25inch]
 Stage : Single
 Suction : 20.59KPa [82.68in-H₂O]
 Volume Flow Rate : 43.80dm³/s [92.81CFM]
 Typical Application : Vacuum Cleaner

Performance Curve



Dimension (mm[inch])



Performance (testing under room temperature)

Model	Dim A mm[inch]	Dim V mm[inch]	Stage	Rated Input Power (W)	Maximum		
					Suction KPa[in-H ₂ O]	Output Power (W)	Volume Flow Rate (dm ³ /s)[CFM]
V7112	98.0[3.86]	32.70[1.29]	Single	800	20.59[82.68]	300	43.80[92.81]

The information above is for reference only, detailed specification is subject to final confirmation

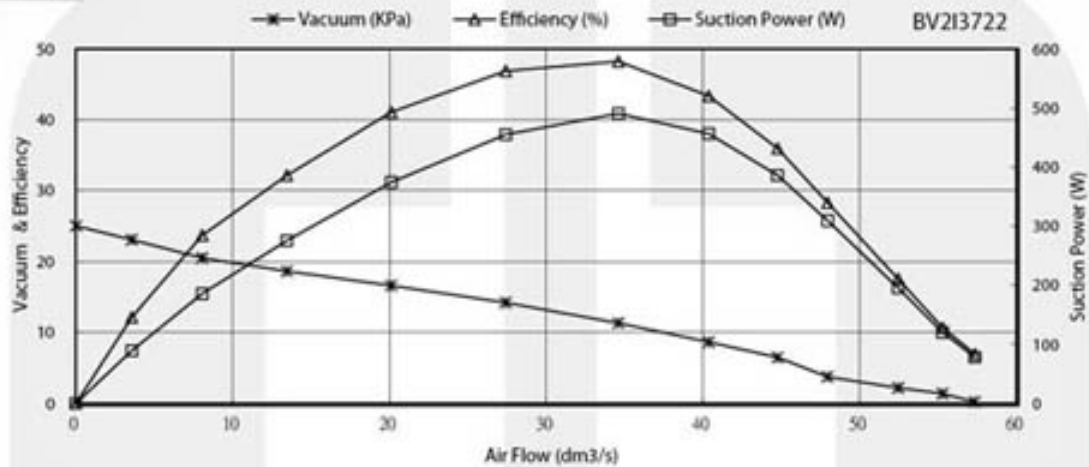


VC Motor – BV2137 Through Flow Series

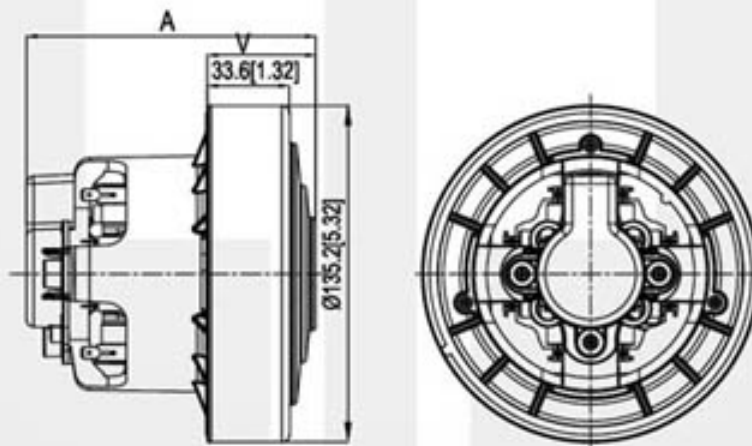
Voltage : 230V AC (50/60Hz)
 Rated Speed : 32,000 - 45,000rpm
 Rated Input Power : 610W
 Blower Diameter : $\varnothing 135.2\text{mm}$ [5.32inch]
 Stage : Single
 Suction : 25.6kPa [101.0in-H₂O]
 Volume Flow Rate : 54.7dm³/s [116.0CFM]
 Typical Application : Vacuum Cleaner, Hand Dryer

*Switched Reluctance Motor (SRM)

Performance Curve



Dimension (mm[inch])



Performance (testing under room temperature)

Model	Dim A mm[inch]	Dim V mm[inch]	Stage	Rated Input Power (W)	Maximum		
					Suction kPa[in-H ₂ O]	Output Power (W)	Volume Flow Rate (dm ³ /s[CFM])
BV213722	116.30[4.58]	44.10[1.74]	Single	1,300	25.6 [101.0]	480	54.7[116.0]

The information above is for reference only, detailed specification is subject to final confirmation

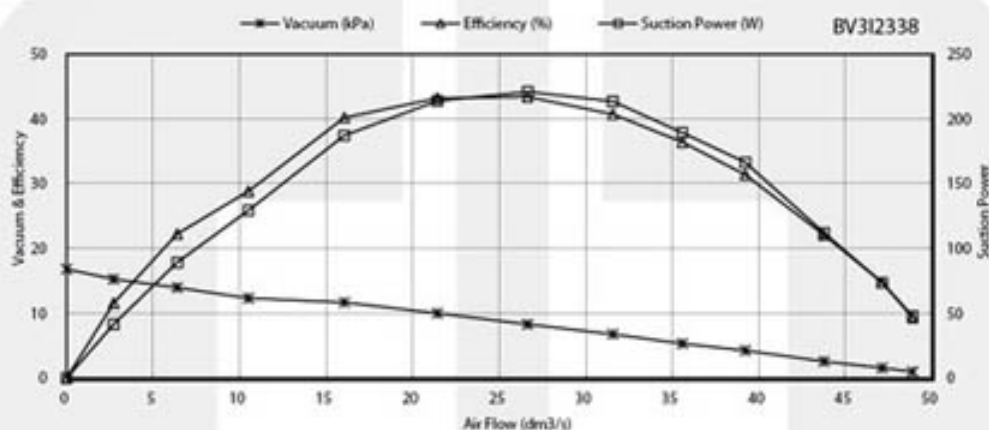


VC Motor – BV3123 Through Flow Series

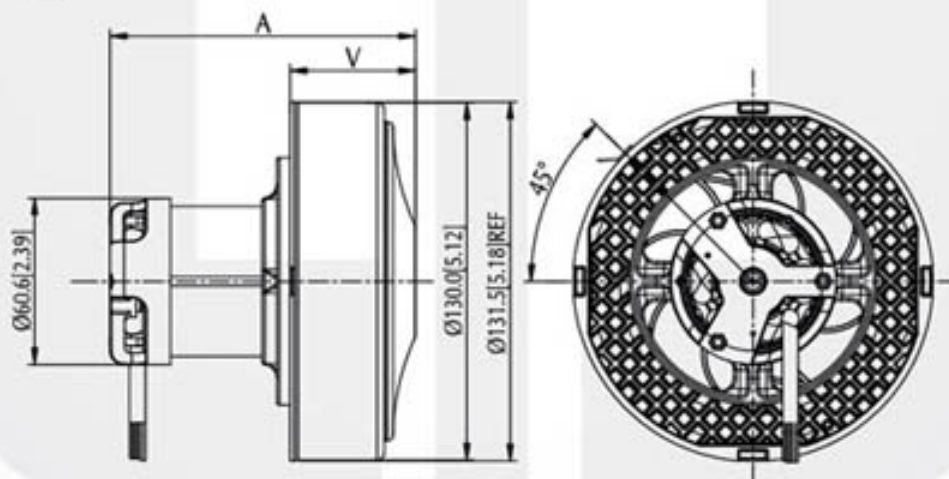
Voltage : 100V/220V AC (50/60Hz)
 Rated Speed : 25,000 - 32,000rpm
 Rated Input Power : 220W
 Blower Diameter : $\text{Ø}130\text{mm}$ [5.12inch]
 Stage : Single
 Suction : 15.69KPa [62.99in-H₂O]
 Volume Flow Rate : 45dm³/s [95.35CFM]
 Typical Application : Vacuum Cleaner

*Brushless Motor

Performance Curve



Dimension (mm[inch])



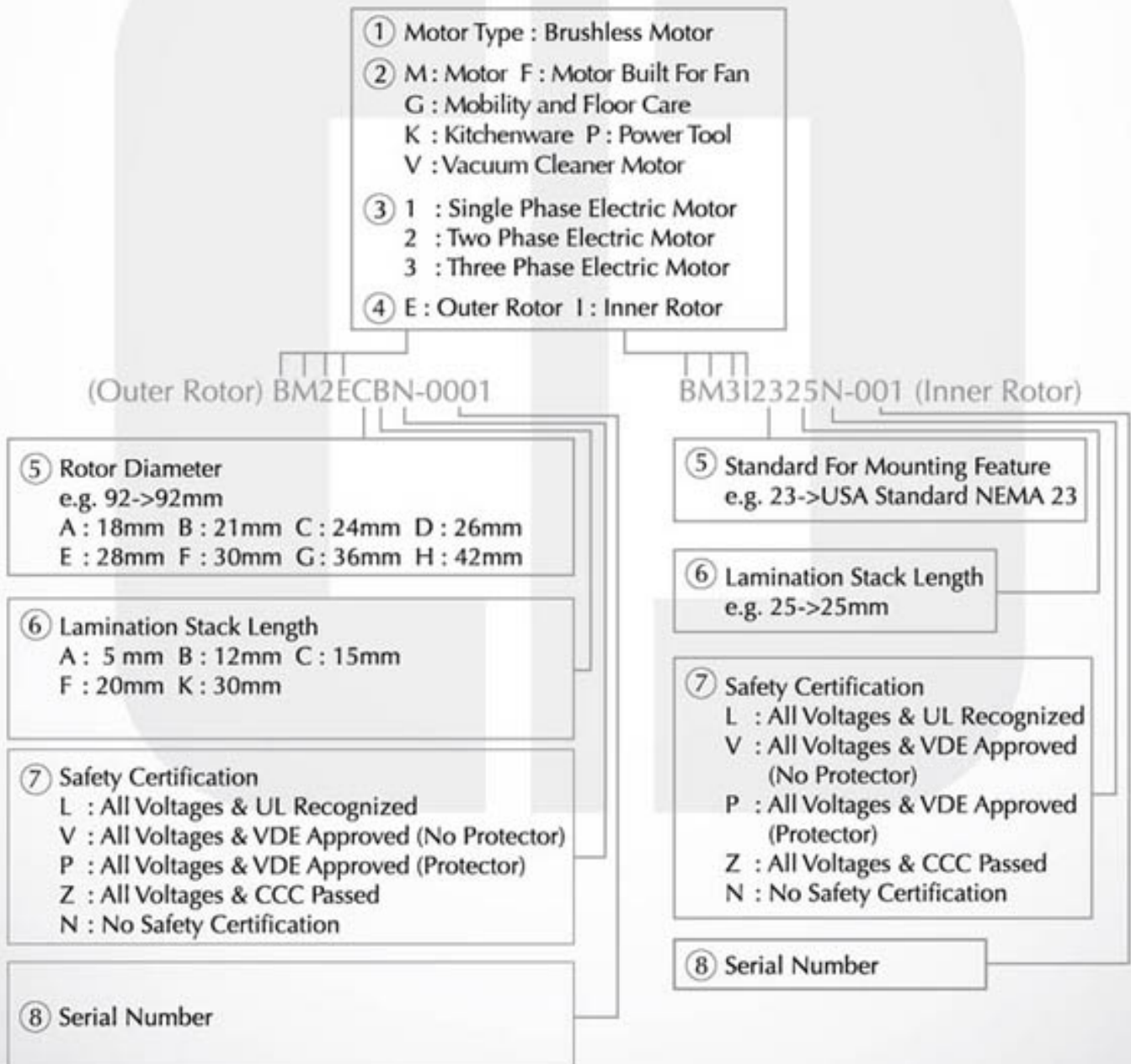
Performance (testing under room temperature)

Model	Dim A mm[inch]	Dim V mm[inch]	Stage	Rated Input Power (W)	Maximum		
					Suction KPa[in-H ₂ O]	Output Power (W)	Volume Flow Rate (dm ³ /s)[CFM]
BV312338	112.0[4.41]	45.60[1.80]	Single	500	15.69[62.99]	240	45.0[95.35]

The information above is for reference only, detailed specification is subject to final confirmation

Brushless Motor

By constructing the motor without carbon brush, brushless motor has the advantages of longer life and reduction in noise and EMC level, with the added benefit of electronic speed control. Other features of our brushless motors include polarity protection, locked rotor protection and self-start. They are widely used in comfort conditioning applications like fan, ventilator, air purifier, etc. Customized dimensions, performance and other requirements can be accommodate to best serve your applications upon customer requests.



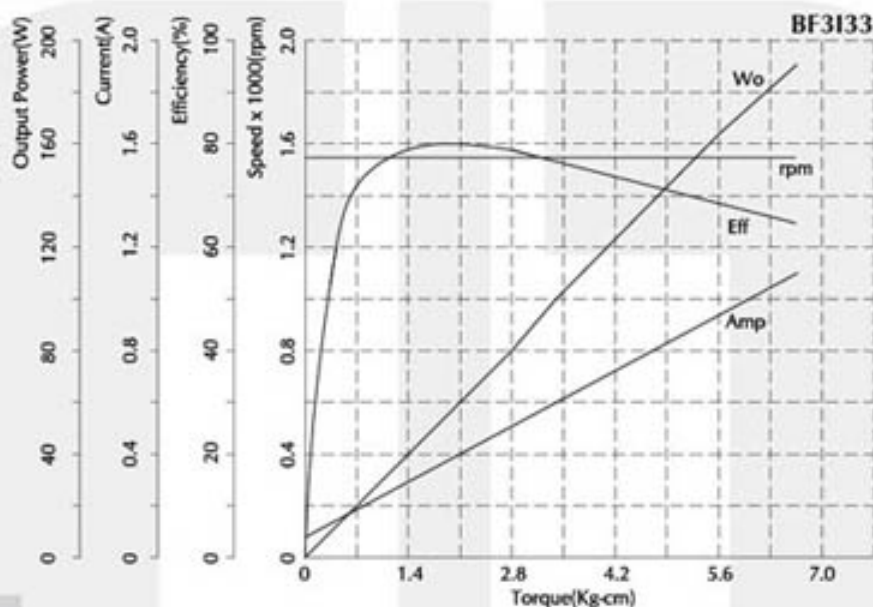
The information above is for reference only, detailed specification is subject to final confirmation

Brushless Motor - BF3133 Series

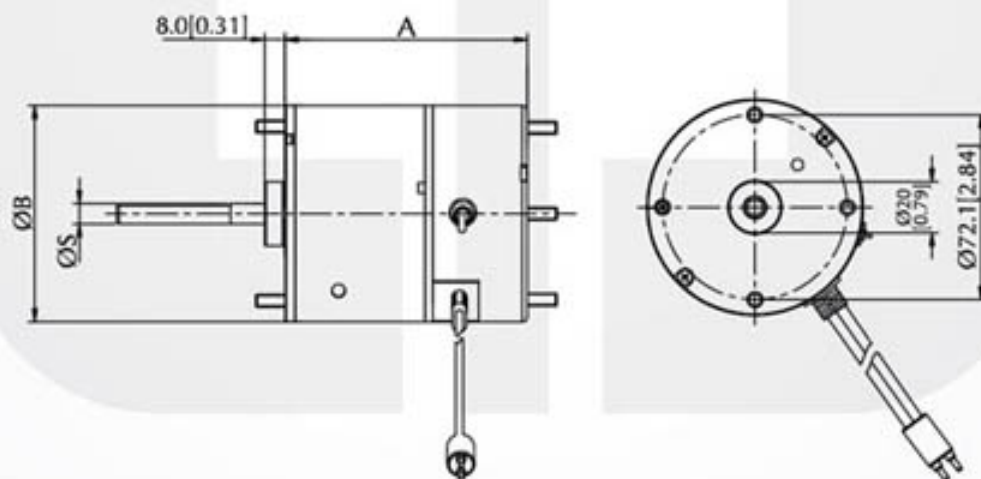


Voltage : 115/230V AC (50/60Hz)
 Rated Speed : 1,550rpm
 Rated Output Power: 10 - 70W
 Insulation Class : B
 Motor Diameter : Ø84.5mm[3.32inch]
 Typical Application : Fan, Ventilator, Air Conditioner, Air Purifier

Performance Curve



Dimension (mm[inch])



Performance (testing under room temperature)

Model	Dim A mm[inch]	Dim B mm[inch]	Dim S mm[inch]	Voltage (V AC)	Speed (rpm)	Current (A)	Rated Output Power (W)
BF313320	95[3.74]	84.5[3.32]	8.0[0.31]	115/230	1,550	0.2 - 1.5	60

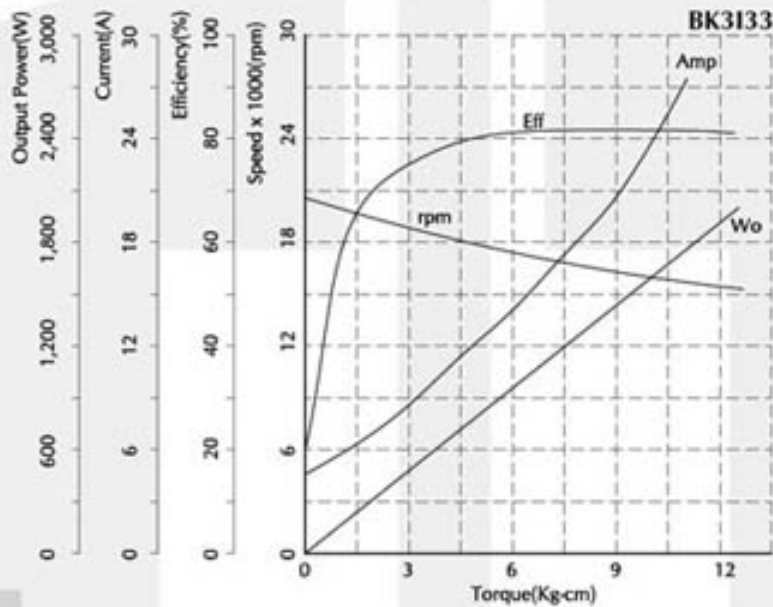
The information above is for reference only, detailed specification is subject to final confirmation



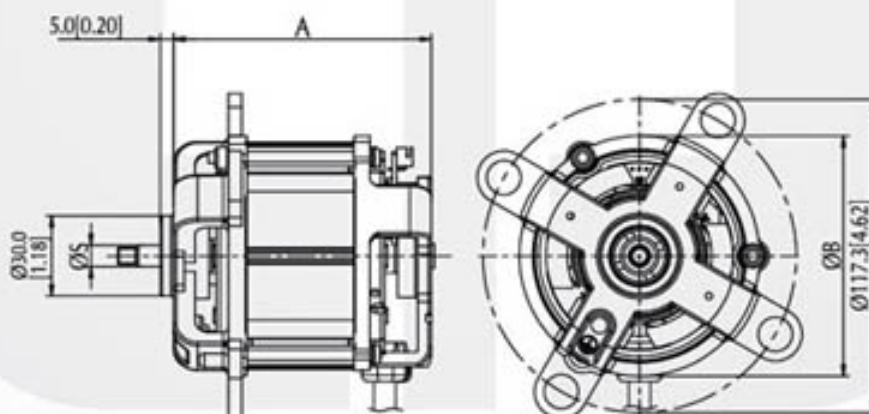
Brushless Motor - BK3133 Series

Voltage : 120/240 V AC (50/60Hz)
 Rated Speed : 1,000 - 23,000rpm
 Rated Output Power: 100 - 1,200W
 Insulation Class : B, F
 Motor Diameter : Ø85mm[3.3inch]
 Typical Application : High End Blender, Commercial Blender

Performance Curve



Dimension (mm[inch])



Performance (testing under room temperature)

Model	Dim A mm[inch]	Dim B mm[inch]	Dim S mm[inch]	Voltage (V AC)	Speed (rpm)	Current (A)	Rated Torque (kg-cm[lb-in])	Rated Output Power (W)
BK313340L	96.5[3.8]	85.0[3.35]	8.0[0.31]	120/240	13,000	6 / 10	5.14[4.46]	700

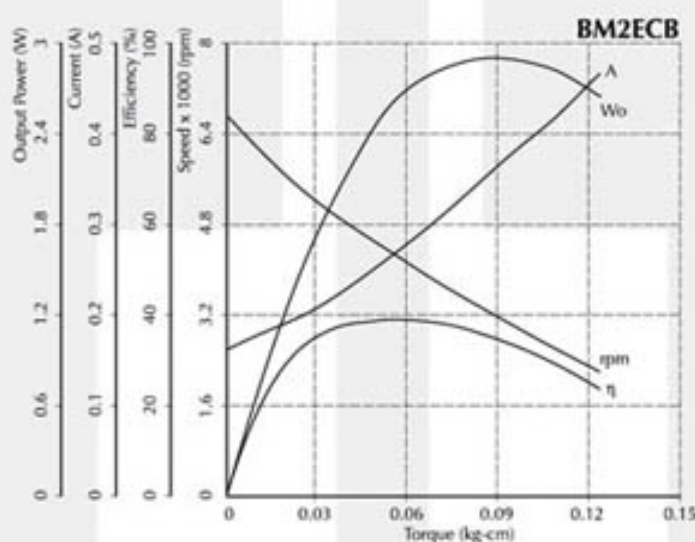
The information above is for reference only, detailed specification is subject to final confirmation



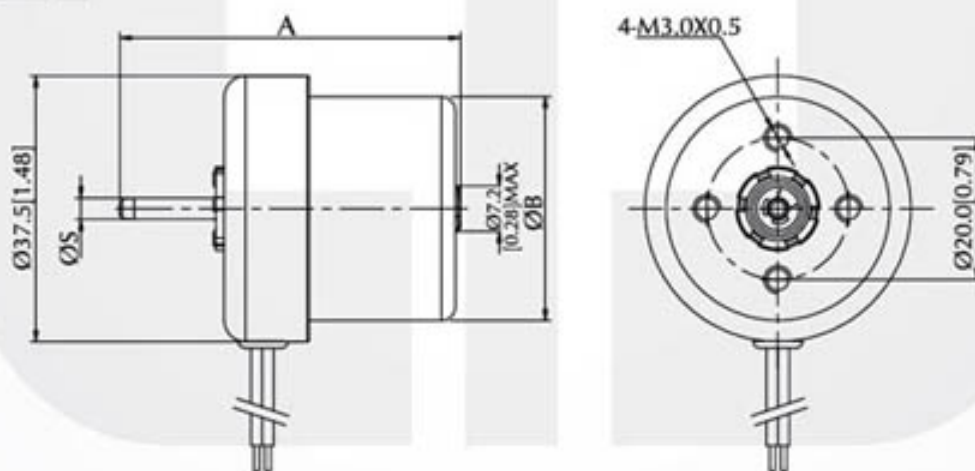
Brushless Motor - BM2ECB Series

Voltage : 24 - 48V DC
 Rated Speed : 4,200 - 10,000rpm
 Rated Output Power: 1.5 - 5W
 Insulation Class : A
 Motor Diameter : $\text{Ø}32.1\text{mm}$ [1.26inch]
 Typical Application : Fan, Ventilator, Air Conditioner, Air Purifier

Performance Curve



Dimension (mm[inch])



Performance (testing under room temperature)

Model	Dim A mm[inch]	Dim B mm[inch]	Dim S mm[inch]	Rated Voltage (V DC)	Rated Speed (rpm)	Rated Current (A)	Rated Output Power (W)
BM2ECBN-001	49.0[1.93]	32.1[1.26]	3.0[0.12]	24	4,200	0.3	2.5

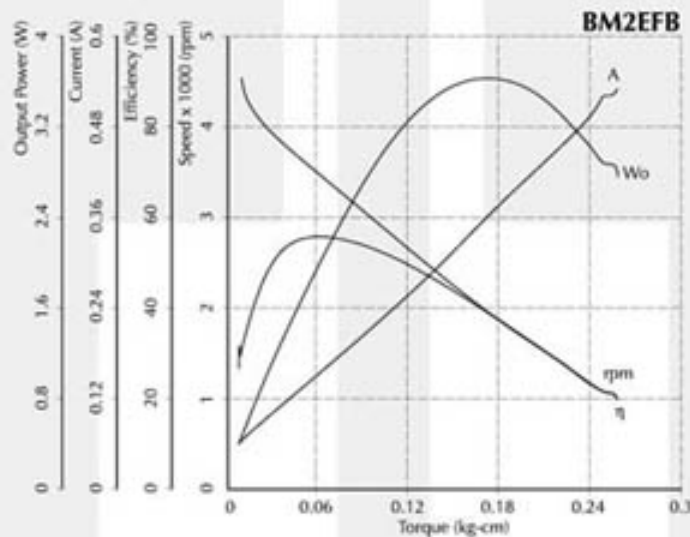
The information above is for reference only, detailed specification is subject to final confirmation



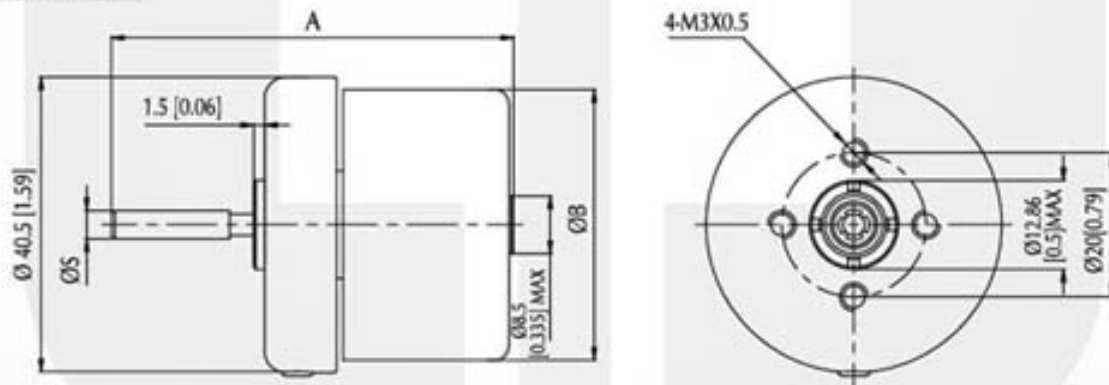
Brushless Motor - BM2EFB Series

Voltage : 12 - 24V DC
 Rated Speed : 2,200 - 6,000rpm
 Rated Output Power: 2 - 8W
 Insulation Class : A
 Motor Diameter : $\varnothing 38.0\text{mm}$ [1.5inch]
 Typical Application : Fan, Ventilator, Air Conditioner, Air Purifier

Performance Curve



Dimension (mm[inch])



Performance (testing under room temperature)

Model	Dim A mm[inch]	Dim B mm[inch]	Dim S mm[inch]	Rated Voltage (V DC)	Rated Speed (rpm)	Rated Current (A)	Rated Output Power (W)
BM2EFBN-001	57.5[2.26]	38.0[1.50]	4.0[0.16]	24	5,000	0.5	5.7
BM2EFBN-002	57.5[2.26]	38.0[1.50]	4.0[0.16]	24	6,000	0.8	9.5
BM2EFBN-005	57.5[2.26]	38.0[1.50]	4.0[0.16]	24	2,250	0.3	3.7
BM2EFBN-003	50.0[1.97]	37.8[1.49]	3.0[0.12]	24	6,000	0.8	8.0

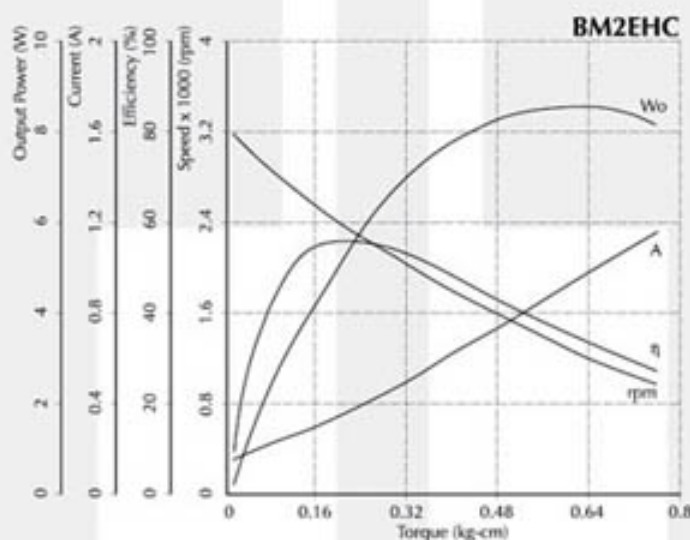
The information above is for reference only, detailed specification is subject to final confirmation



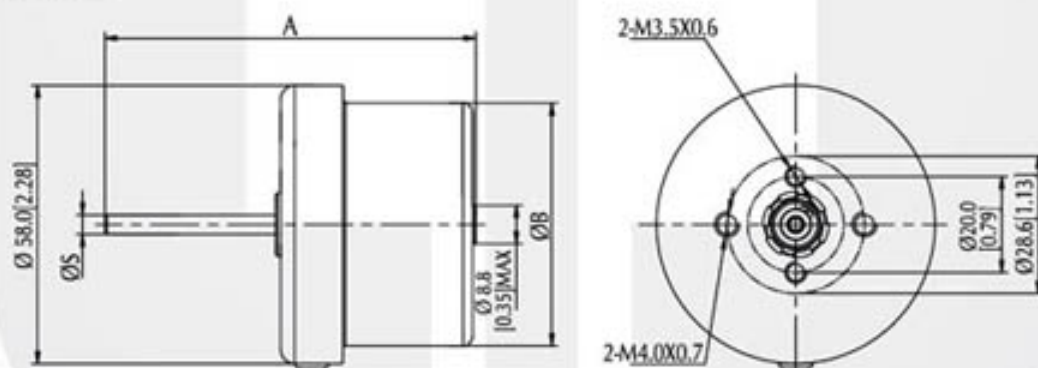
Brushless Motor - BM2EHC Series

Voltage : 12 - 24V DC
 Rated Speed : 800 - 2,200rpm
 Rated Output Power: 3 - 15W
 Insulation Class : A
 Motor Diameter : Ø50.6mm[1.99inch]
 Typical Application : Fan, Ventilator, Air Conditioner, Air Purifier

Performance Curve



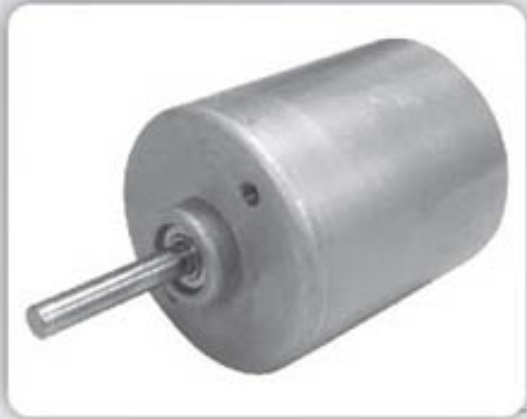
Dimension (mm[inch])



Performance (testing under room temperature)

Model	Dim A mm[inch]	Dim B mm[inch]	Dim S mm[inch]	Rated Voltage (V DC)	Rated Speed (rpm)	Rated Current (A)	Rated Output Power (W)
BM2EHCL-001	70.3[2.77]	50.6[1.99]	6.0[0.24]	24	2,000	0.65	7.8
BM2EHCL-002	70.3[2.77]	50.6[1.99]	6.0[0.24]	12	2,200	0.9	4.8
BM2EHCL-003	70.3[2.77]	50.6[1.99]	6.0[0.24]	24	2,000	0.6	7.8
BM2EHCL-004	70.3[2.77]	50.6[1.99]	6.0[0.24]	12	2,000	1.1	6.5
BM2EHCL-005	105.8[4.165]	50.6[1.99]	4.0[0.16]	24	1,200	0.2	3.7
BM2EHCL-006	70.3[2.77]	50.6[1.99]	6.0[0.24]	12	2,400	1.0	4.9

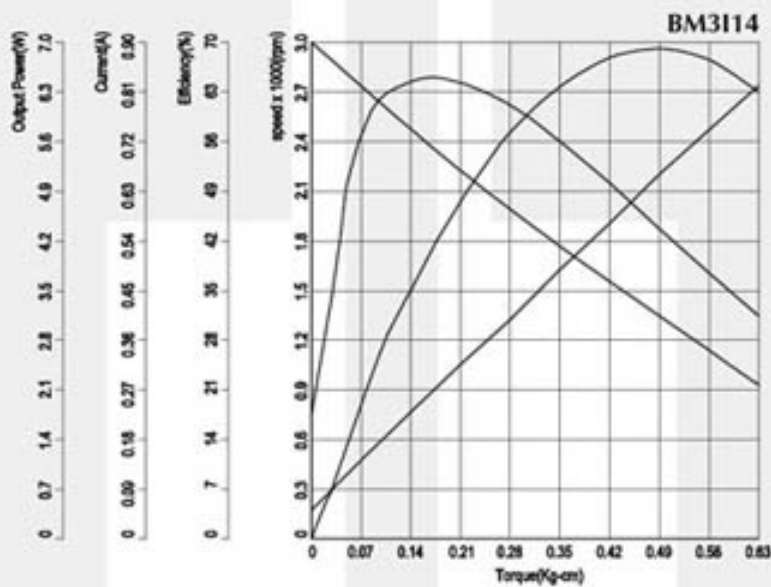
The information above is for reference only, detailed specification is subject to final confirmation



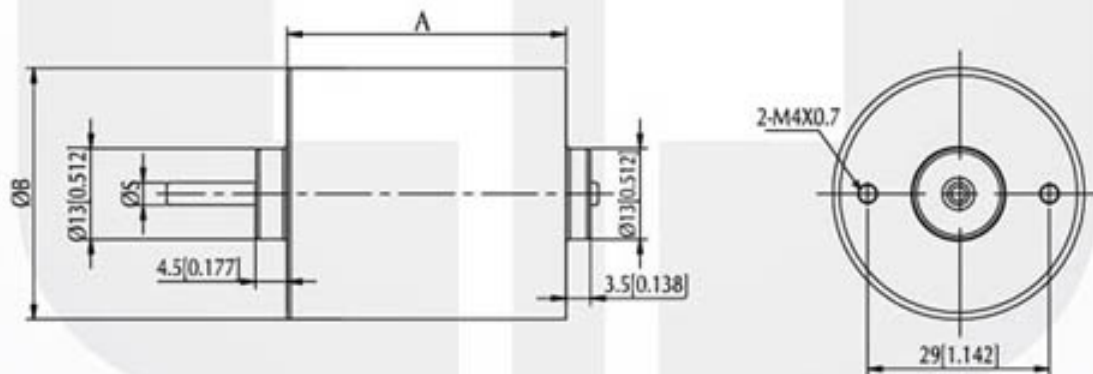
Brushless Motor – BM3114 Series

Voltage : 24V DC
 Rated Speed : 2,100rpm
 Rated Output Power: 5.3W
 Insulation Class : B
 Motor Diameter : $\varnothing 36.0\text{mm}$ [1.42inch]
 Typical Application : Blower, Fan

Performance Curve



Dimension (mm[inch])



Performance (testing under room temperature)

Model	Dim A mm[inch]	Dim B mm[inch]	Dim S mm[inch]	Rated Voltage (V DC)	Rated Speed (rpm)	Rated Current (A)	Rated Output Power (W)
BM311420	40.0[1.575]	36.0[1.42]	40.0[1.575]	24	2,100	0.36	5.3

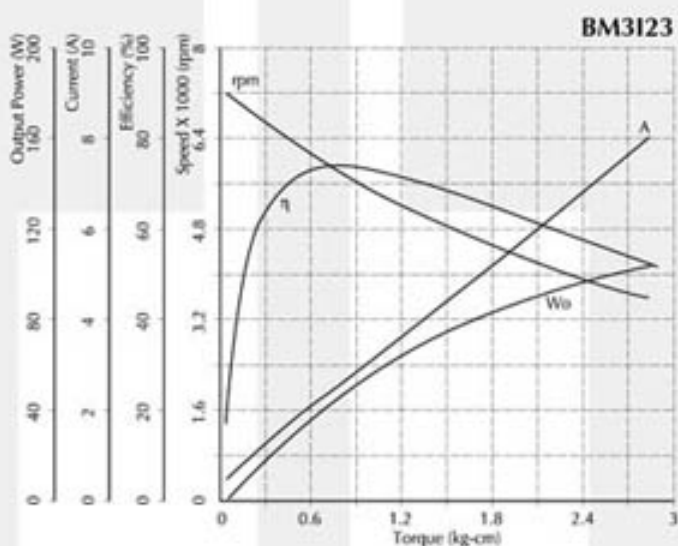
The information above is for reference only, detailed specification is subject to final confirmation



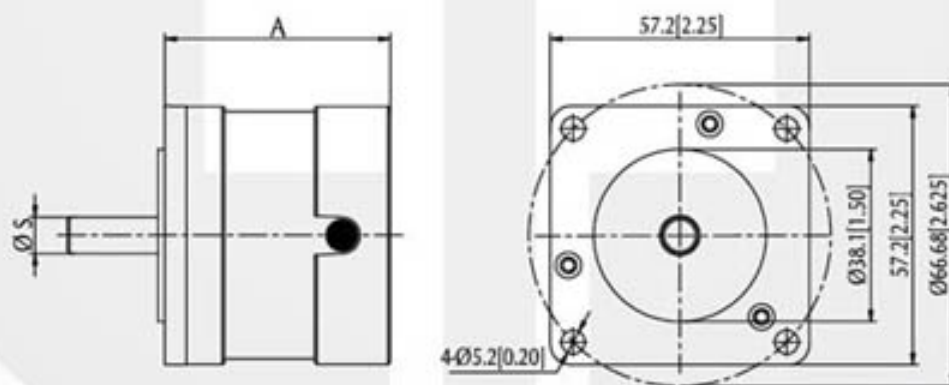
Brushless Motor - BM3I23 Series

Voltage : 24 - 48V DC
 Rated Speed : 5,000rpm
 Rated Output Power: 70W
 Insulation Class : B
 Motor Diameter : $\text{Ø}66.7\text{mm}[2.63\text{inch}]$
 Typical Application : Fan, Ventilator, Air Conditioner, Air Purifier

Performance Curve



Dimension (mm[inch])



Performance (testing under room temperature)

Model	Dim A mm[inch]	Dim S mm[inch]	Rated Voltage (V DC)	Rated Speed (rpm)	Rated Current (A)	Rated Output Power (W)
BM3I2325-001	50.34[1.98]	8.0[0.31]	24	5,000	4	70

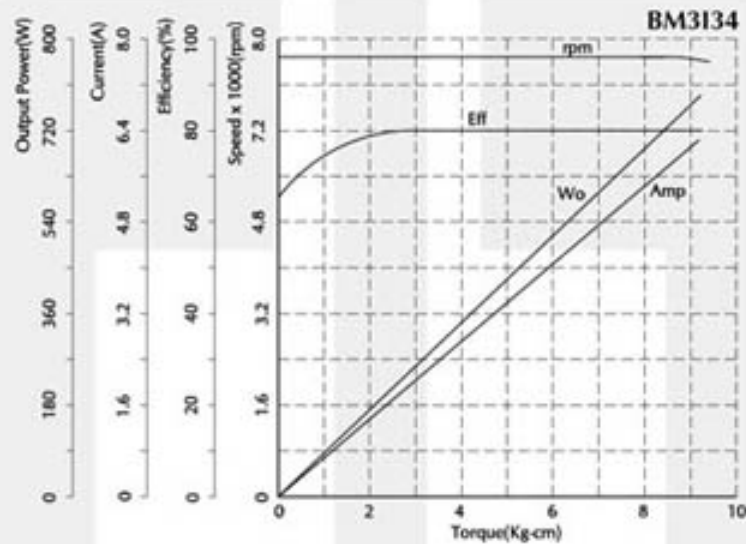
The information above is for reference only, detailed specification is subject to final confirmation



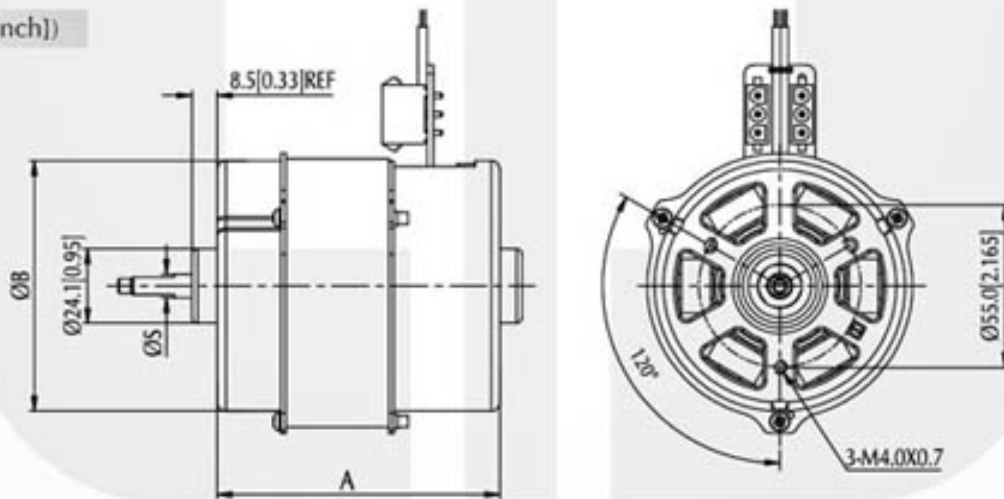
Brushless Motor - BM3I34 Series

Voltage : 100 - 240V AC (50/60Hz)
 Rated Speed : 390 - 21,500rpm
 Rated Output Power: 50 - 500W
 Insulation Class : B, F
 Motor Diameter : Ø86mm[3.4inch]
 Typical Application : Cooking Blender, Food Processor

Performance Curve



Dimension (mm[inch])



Performance (testing under room temperature)

Model	Dim A mm[inch]	Dim B mm[inch]	Dim S mm[inch]	Rated Voltage (V DC)	Rated Speed (rpm)	Rated Current (A)	Rated Output Power (W)
BM3I3435	96[3.78]	84.8[3.34]	8.0[0.31]	100 - 240	390 - 21,500	2 - 10	50 - 500

The information above is for reference only, detailed specification is subject to final confirmation

Email: sales@cclmotors.com Website: <http://www.cclmotors.com>
 4/F, No. 6, On Lok Mun Street, On Lok Tsuen, Fanling, N.T., Hong Kong

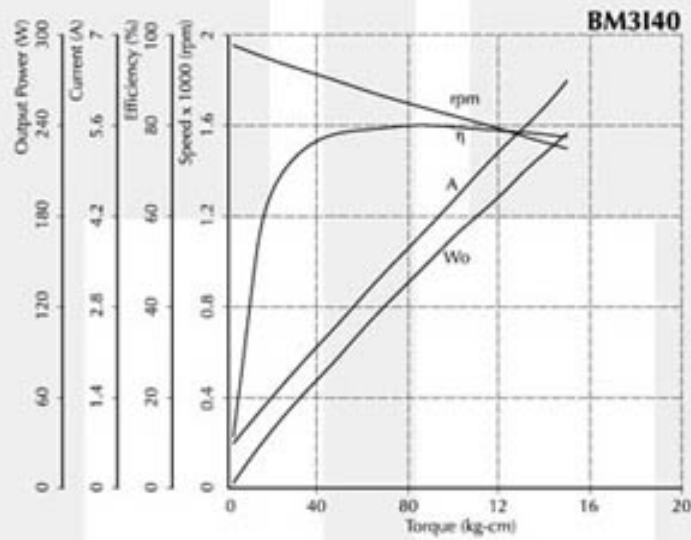
Tel: (852) 3125 0000 Fax: (852) 3125 0125



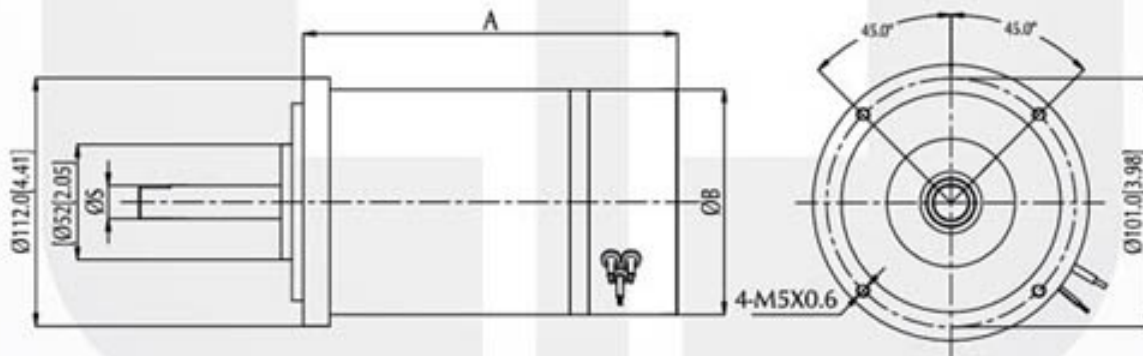
Brushless Motor - BM3140 Series

Voltage : 12 - 48V DC
 Rated Speed : 1,372 - 3,160rpm
 Rated Output Power: 100 - 280W
 Insulation Class : B
 Motor Diameter : $\varnothing 102.6\text{mm}[4.0\text{inch}]$
 Typical Application : Water Pump, Hydraulic Pump, Air Pump

Performance Curve



Dimension (mm[inch])



Performance (testing under room temperature)

Model	Dim A mm[inch]	Dim B mm[inch]	Dim S mm[inch]	Rated Voltage (V DC)	Rated Speed (rpm)	Rated Current (A)	Rated Output Power (W)
BM3140	169.0[6.65]	101.6[4.0]	15.0[0.59]	12 - 48	1,372 - 3,160	2.5 - 4.5	100 - 200

The information above is for reference only, detailed specification is subject to final confirmation

Email: sales@cclmotors.com Website: <http://www.cclmotors.com>
 4/F, No. 6, On Lok Mun Street, On Lok Tsuen, Fanling, N.T., Hong Kong

Tel: (852) 3125 0000 Fax: (852) 3125 0125

Gear Motor



Spur Gear System



Worm Gear System



Planetary Gear System

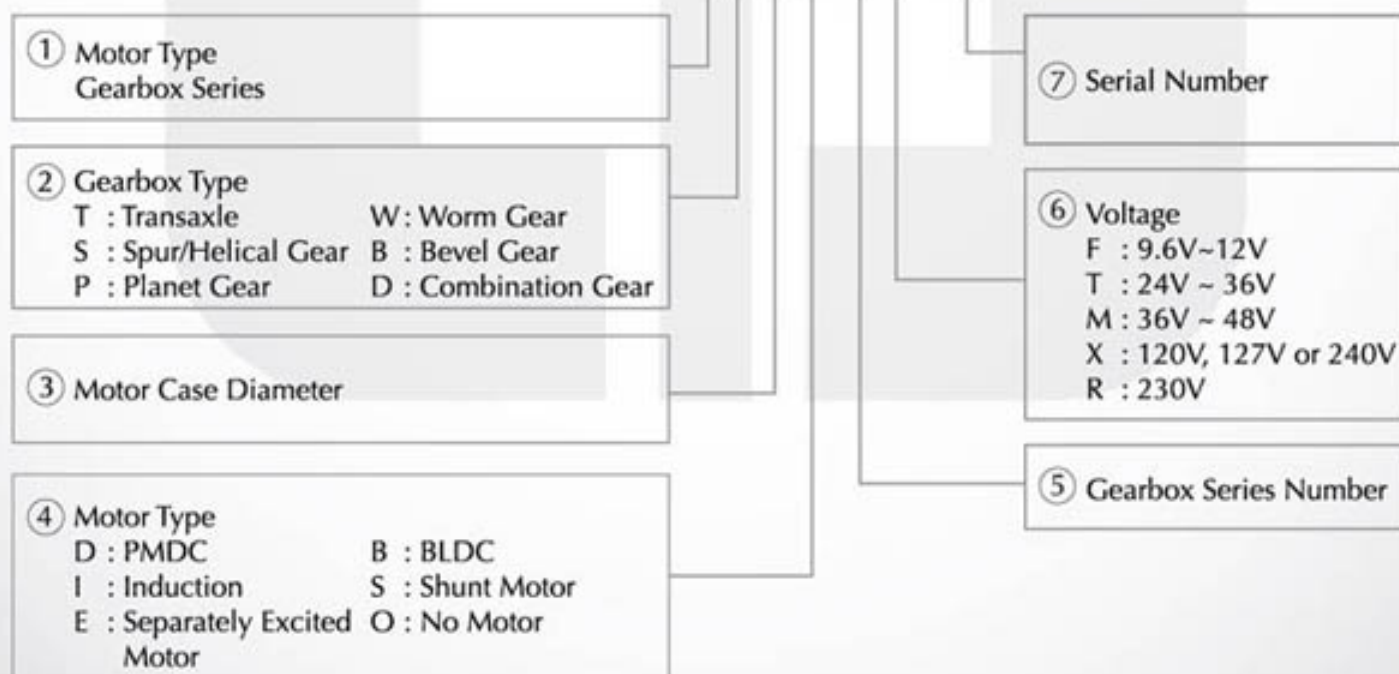
We are capable to produce the following 5 gear systems:

- 1.) Spur & Helical Gear System 2.) Worm Gear System 3.) Bevel Gear System
4.) Planetary Gear System 5.) Combination Gear System

Transaxle

CCL's transaxle line of products helps power battery-operated vehicles from electric scooter to lift trucks. Products are widely used in electric cart, electric scooter, floor cleaning machine and industrial automation system. With a choice of gear ratios and motors, we have a solution that will fit your exact needs.

GW33D-05M-0001



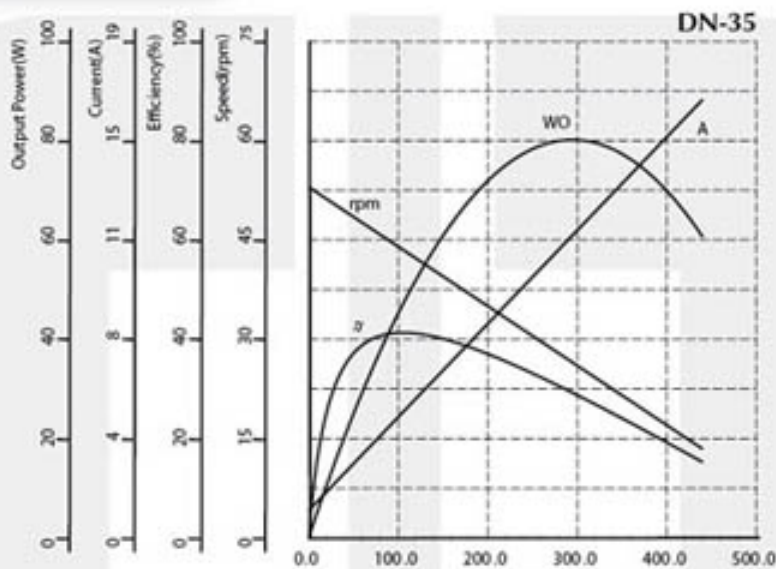
The information above is for reference only, detailed specification is subject to final confirmation



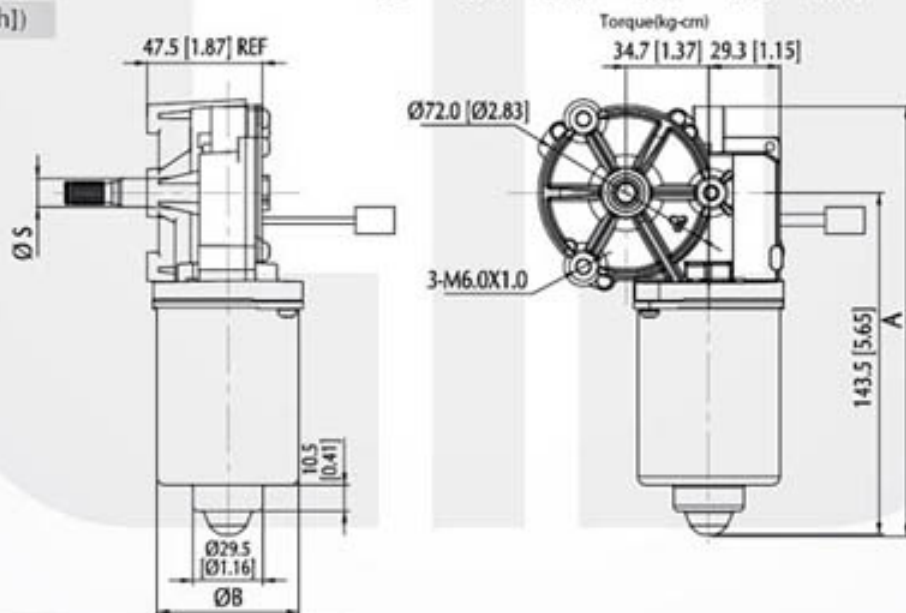
Gear Motor – Low Voltage-DN Series

Voltage : 6 - 36V DC
 Rated Speed : 46 - 150rpm
 Rated Torque : 100kg-cm[86.8lb-in]
 Rated Input Power : 9 - 160W
 Insulation Class : A, E
 Motor Diameter : Ø60mm[2.36inch]
 Typical Application : Garage Door Opener

Performance Curve



Dimension (mm[inch])



Performance (testing under room temperature)

Model	Dim A mm[inch]	Dim B mm[inch]	Dim S mm[inch]	Rated Voltage (V DC)	No Load		At Maximum Efficiency				Maximum Power			
					Speed (rpm)	Current (A)	Speed (rpm)	Current (A)	Torque (kg-cm[lb-in])	Output (W)	Speed (rpm)	Current (A)	Torque (kg-cm[lb-in])	Output (W)
DN-35	180.0[7.09]	60.0[2.36]	12.0[0.47]	24	53	1.027	44	4.56	100[86.8]	45	26	11	294[255.5]	79

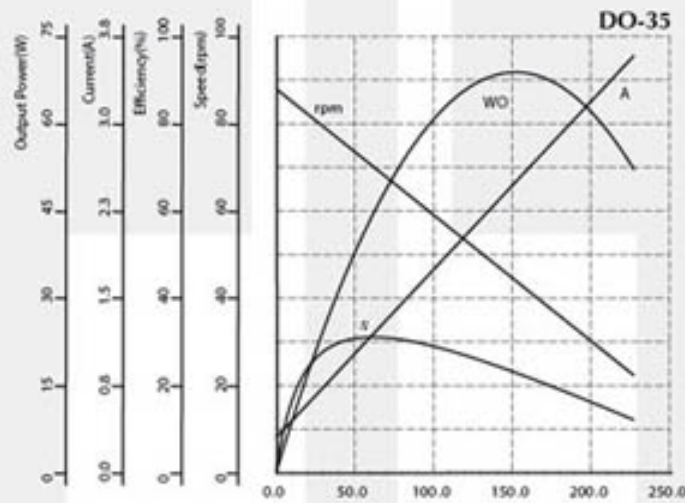
The information above is for reference only, detailed specification is subject to final confirmation



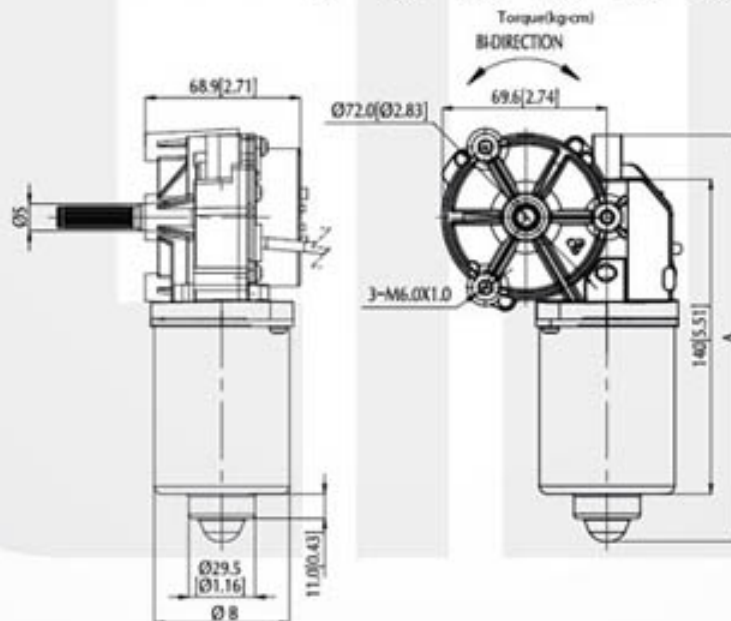
Gear Motor – High Voltage-DO Series

Voltage : 100 - 120V DC
 Rated Speed : 46 - 150rpm
 Rated Torque : 90.0kg-cm[78.3lb-in]
 Roted Input Power : 60 - 280W
 Insulation Class : A, E
 Motor Diameter : Ø60mm[2.36inch]
 Typical Application : Garage Door Opener

Performance Curve



Dimension (mm[inch])



Performance (testing under room temperature)

Model	Dim A mm[inch]	Dim B mm[inch]	Dim S mm[inch]	Rated Voltage (V DC)	No Load		At Maximum Efficiency				Maximum Power			
					Speed (rpm)	Current (A)	Speed (rpm)	Current (A)	Torque (kg-cm[lb-in])	Output (W)	Speed (rpm)	Current (A)	Torque (kg-cm[lb-in])	Output (W)
DO-35	180.0[7.09]	60.0[2.36]	12.0[0.47]	120	88	0.30	62	1.7	90.0 [78.3]	57.3	44	2.5	152.3 [132.2]	68.8

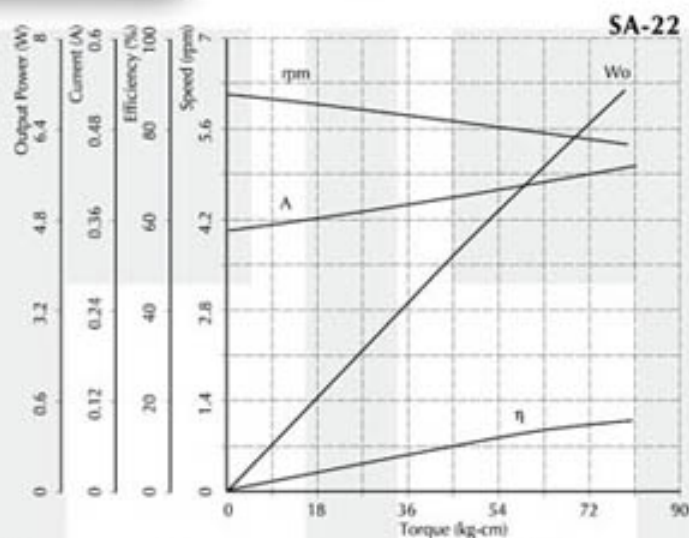
The information above is for reference only, detailed specification is subject to final confirmation



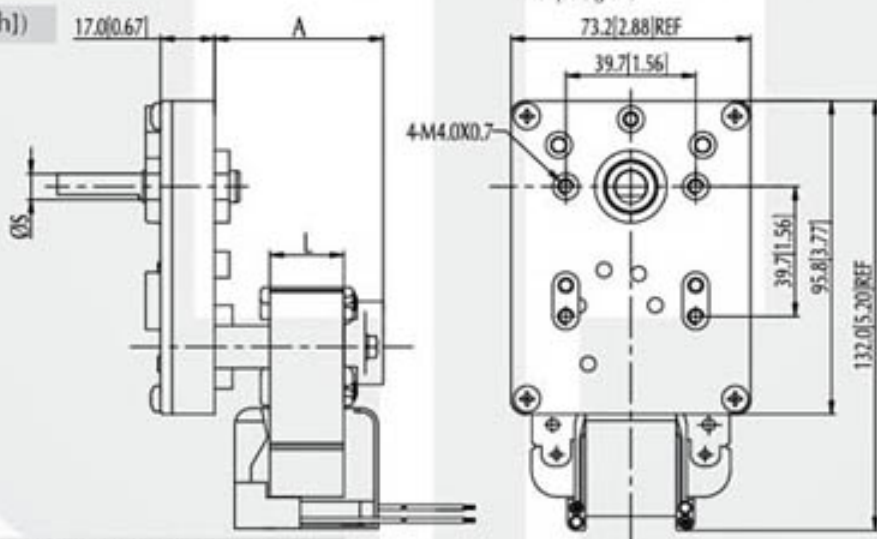
Gearmotor - GA Series

Voltage : 100 - 240V AC (50/60Hz)
 Insulation Class : A, E, B, F, H
 Gear Ratio : 120 : 1, 560 : 1
 Rated Torque : 11 - 112kg-cm[9.6 - 97.4lb-in]
 Typical Application : Vending Machine, Cooling Fan, Other reduction ratios can be customized upon request

Performance Curve



Dimension (mm[inch])



Performance (testing under room temperature)

Model	Series	Dim A mm[inch]	Dim L mm[inch]	Dim S mm[inch]	Gear Ratio	Output Speed (rpm)		Rated Torque (kg-cm[lb-in])	Max Momentary Torque (kg-cm[lb-in])
						50Hz	60Hz		
SA-10	GAA560	40[1.57]	22.0[0.87]	9.5[0.37]	560:1	4.5	5.5	55[47.9]	140[121.8]
SA-22	GAA560	52[2.05]	22.0[0.87]	9.5[0.37]	560:1	4.5	5.5	85[74.0]	210[182.7]
SA-30	GAA560	60[2.36]	22.0[0.87]	9.5[0.37]	560:1	4.5	5.5	112[97.4]	280[243.6]
SA-10	GAA120	40[1.57]	22.5[0.89]	8.0[0.31]	120:1	20.5	25.4	11[9.6]	30[26.1]
SA-22	GAA120	52[2.05]	22.5[0.89]	8.0[0.31]	120:1	20.5	25.4	18[15.7]	45[39.1]
SA-30	GAA120	60[2.36]	22.5[0.89]	8.0[0.31]	120:1	20.5	25.4	24[20.9]	60[52.2]

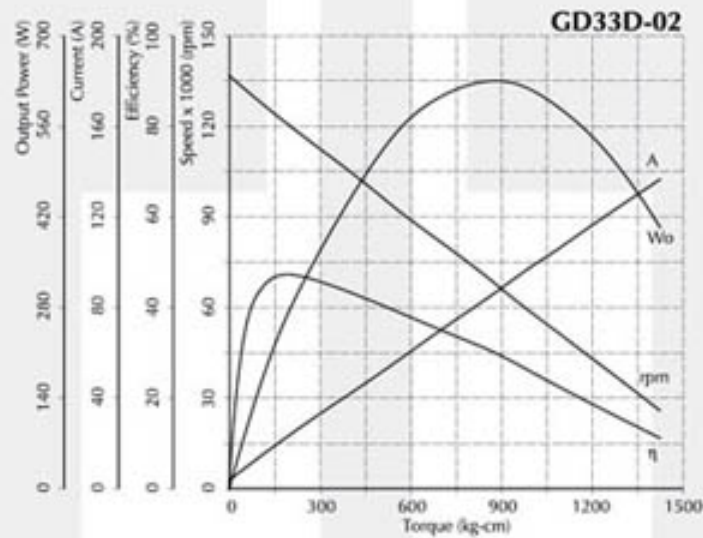
The information above is for reference only, detailed specification is subject to final confirmation



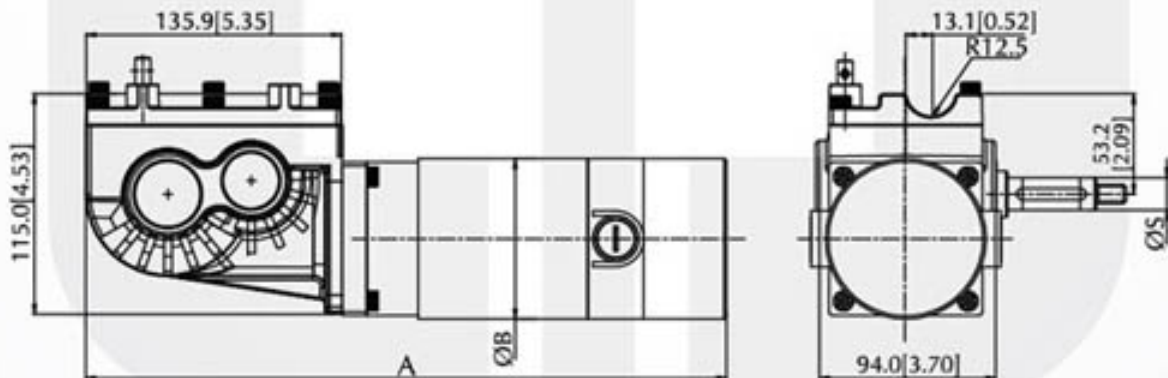
Gearmotor – GD33D-02 Series

Voltage : 12 - 36V DC
 Rated Speed : 100 - 280rpm
 Rated Output Power: 200 - 400W
 Gear Ratio : 16 : 1, 32 : 1
 Rated Torque : 133.4-268.8kg-cm[116.7-233.3lb-in]
 Motor Diameter : Ø83.5mm[3.3inch]
 Typical Application : Shopping Cart, Polisher, Electric Car, Electric Wheelchair/Electric Vehicle

Performance Curve



Dimension (mm[inch])



Performance (testing under room temperature)

Model	Dim A mm[inch]	Dim B mm[inch]	Dim S mm[inch]	Gear Ratio	Rated Voltage (V DC)	No Load		At Maximum Efficiency				Max Power		
						Speed (rpm)	Current (A)	Torque (kg-cm[lb-in])	Speed (rpm)	Current (A)	Output (W)	Effic'y (%)	Torque (kg-cm[lb-in])	Current (A)
GD33D -01	334.0[13.15]	83.5[3.3]	17.0[0.67]	32:1	24	140	6.0	268.8[233.3]	118	32.9	324.6	41	840[729.2]	90
GD33D -02	334.0[13.15]	83.5[3.3]	17.0[0.67]	16:1	24	280	6.0	133.4[116.7]	225	32.9	324.6	41	420[364.6]	90

The information above is for reference only, detailed specification is subject to final confirmation

Email: sales@cclmotors.com Website: <http://www.cclmotors.com>
4/F, No. 6, On Lok Mun Street, On Lok Tsuen, Fanling, N.T., Hong Kong

Tel: (852) 3125 0000 Fax: (852) 3125 0125

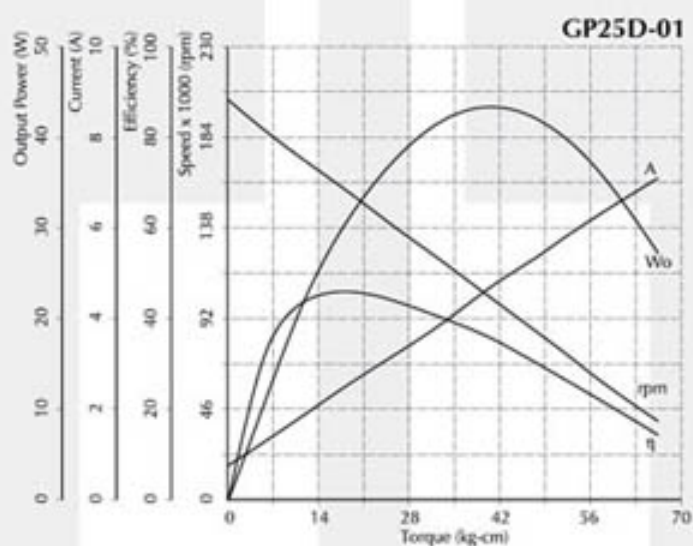


Gearmotor - GP25D-01 Series

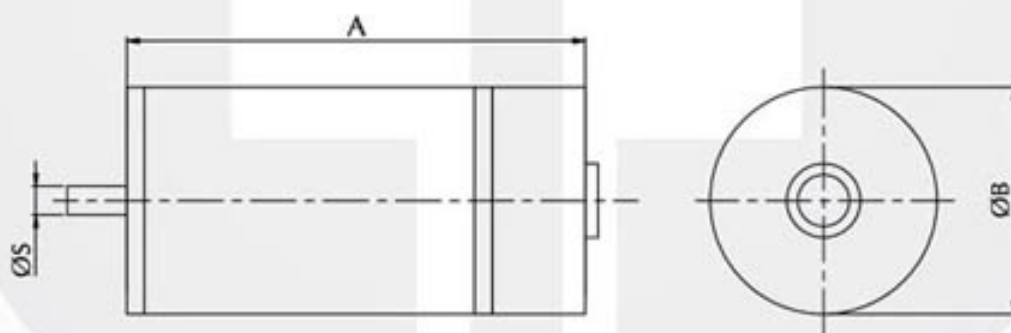
Voltage	: 12 - 36V DC
Rated Speed	: 100 - 300rpm
Rated Output Power	: 30 - 100W
Gear Ratio	: 6 : 1
Rated Torque	: 15.8 - 19.1kg-cm[13.8-16.6lb-in]
Motor Diameter	: Ø129mm[5.08inch]
Typical Application	: Hydraulic Pump, Water Pump

*Gearbox is available to request

Performance Curve



Dimension (mm[inch])



Performance (testing under room temperature)

Model	Dim A mm[inch]	Dim B mm[inch]	Dim S mm[inch]	Gear Ratio	Rated Voltage (V DC)	No Load		At Maximum Efficiency				Max Power		
						Speed (rpm)	Current (A)	Torque (kg-cm[lb-in])	Speed (rpm)	Current (A)	Output (W)	Effic'y (%)	Torque (kg-cm[lb-in])	Current (A)
GP25D-01-01	150.0[5.90]	129.0[5.08]	64.8[2.55]	6:1	25.6	202	0.8	19.1[16.6]	156	2.6	30.5	46	41.6[36.1]	4.7
GP25D-01-02	150.0[5.90]	129.0[5.08]	64.8[2.55]	6:1	12.8	215	1.2	15.8[13.8]	168	4.1	27.3	52	36.0[31.3]	7.8

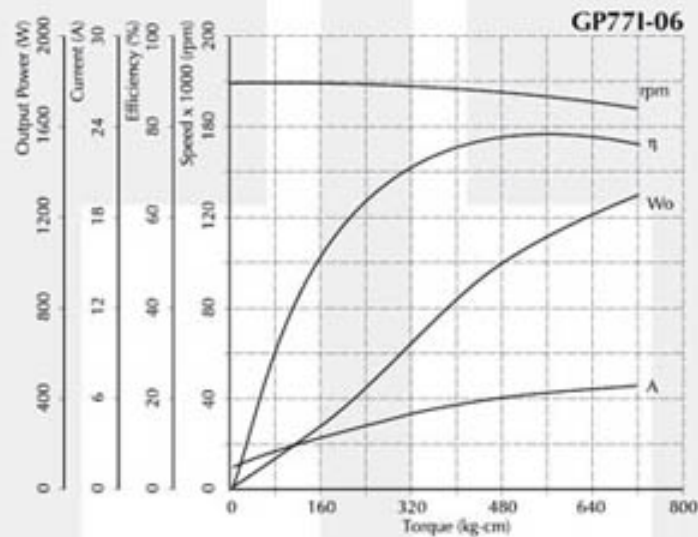
The information above is for reference only, detailed specification is subject to final confirmation



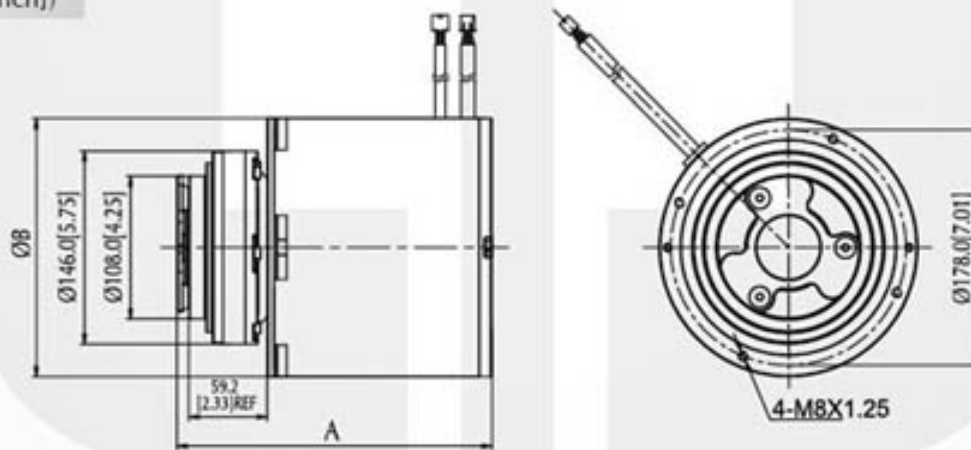
Gearmotor - GP771 Series

Voltage	: 100 - 240V AC (50/60Hz)
Rated Speed	: 250 - 600rpm
Rated Output Power	: 800 - 1500W
Gear Ratio	: 8 : 1, 15 : 1
Rated Torque	: 0.5kg-cm[0.4lb-in]
Insulation Class	: F
Motor Diameter	: \varnothing 195.5mm[7.7inch]
Typical Application	: Floor Polisher

Performance Curve



Dimension (mm[inch])



Performance (testing under room temperature)

Model	Dim A mm[inch]	Dim B mm[inch]	Gear Ratio	Rated Voltage (V AC)	No Load		At Maximum Efficiency				Max Power		
					Speed (rpm)	Current (A)	Torque (kg-cm[lb-in])	Speed (rpm)	Current (A)	Output (W)	Effic'y (%)	Torque (kg-cm[lb-in])	Current (A)
GP771-06	269.3 [10.60]	195.5 [7.70]	8:1, 15:1	230	186	2	0.5 [0.4]	178	6.2	1.05	78	1.3 [1.1]	65

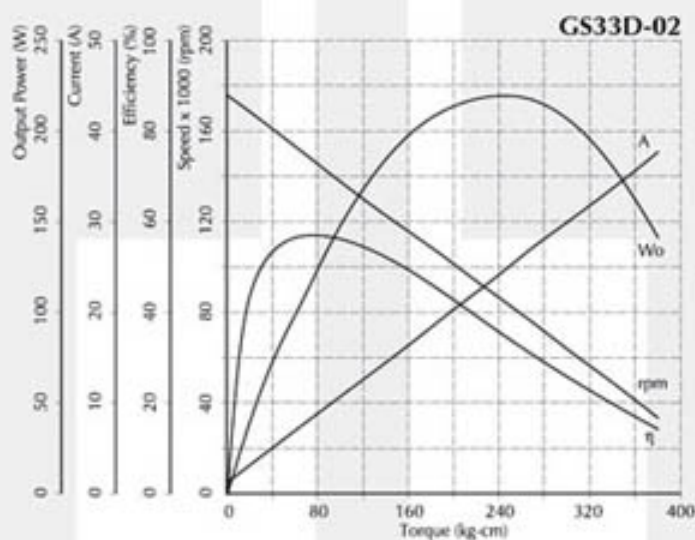
The information above is for reference only, detailed specification is subject to final confirmation



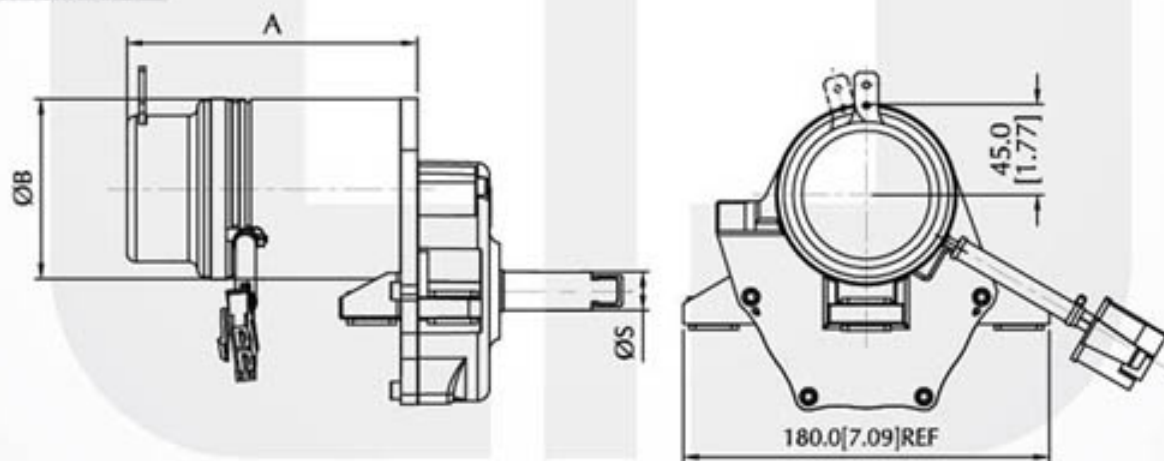
Gearmotor – GS33/35D-02 Series

Voltage	: 12 - 36V DC
Rated Speed	: 150 - 250rpm
Rated Output Power	: 100 - 300W
Gear Ratio	: 17.75 : 1
Rated Torque	: 138.0-141.5kg-cm[119.8-122.8lb-in]
Motor Diameter	: Ø63.5/88.9mm[2.5/3.5inch]
Typical Application	: Electric Wheelchair
Feature	: Optional break

Performance Curve



Dimension (mm[inch])



Performance (testing under room temperature)

Model	Dim A mm[inch]	Dim B mm[inch]	Dim S mm[inch]	Gear Ratio	Rated Voltage (V DC)	No Load		At Maximum Efficiency				Max Power		
						Speed (rpm)	Current (A)	Torque (kg-cm[lb-in])	Speed (rpm)	Current (A)	Output (W)	Effic'y (%)	Torque (kg-cm[lb-in])	Current (A)
GS33D-02	142.8[5.62]	63.5[2.5]	20.2[0.80]	17.75:1	24	166.5	3.0	141.5[122.8]	138.2	14.3	200.8	58	416.3[361.3]	36.3
GS35D-02	142.8[5.62]	88.9[3.5]	20.2[0.80]	17.75:1	24	230	4.0	138.0[119.8]	189	19.2	267.3	58	383.3[332.8]	46.2

The information above is for reference only, detailed specification is subject to final confirmation

Email: sales@cclmotors.com Website: <http://www.cclmotors.com>
4/F, No. 6, On Lok Mun Street, On Lok Tsuen, Fanling, N.T., Hong Kong.

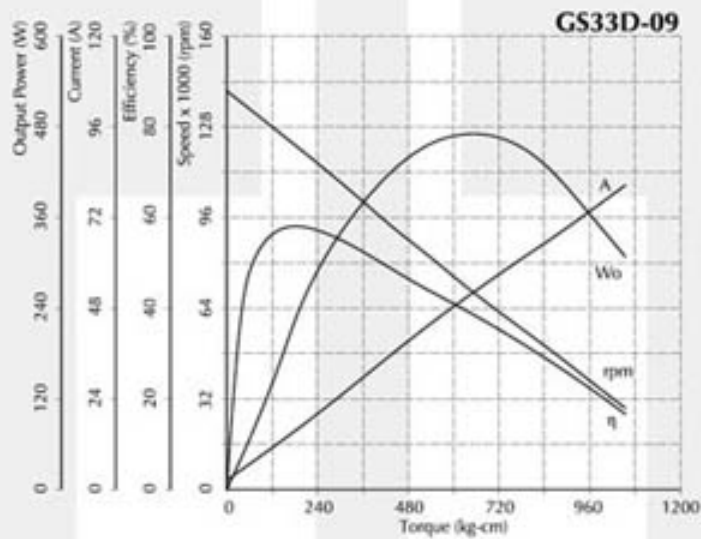
Tel: (852) 3125 0000 Fax: (852) 3125 0125



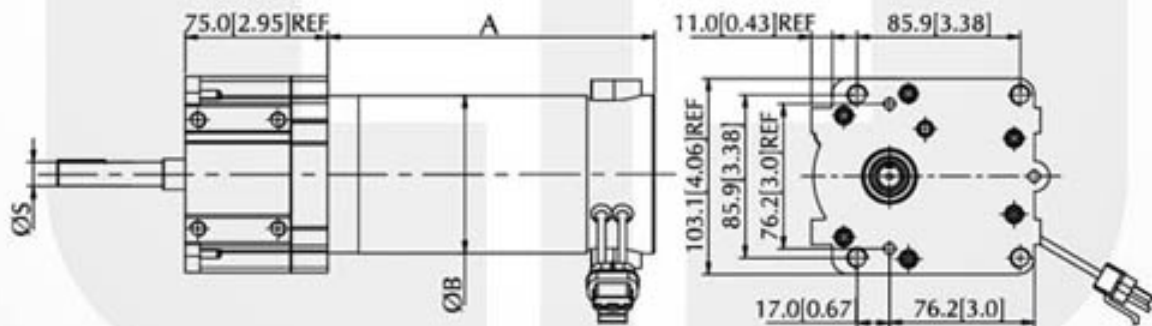
Gearmotor - GS33D-09 Series

Voltage : 12 - 36V DC
 Rated Speed : 100 - 200rpm
 Rated Output Power: 215 - 350W
 Gear Ratio : 9.7 : 1, 17.75 : 1
 Rated Torque : 59.5 - 138.4kg-cm[60.8 - 120.2lb-in]
 Motor Diameter : Ø83.8mm[3.3inch]
 Typical Application : Floor Polisher, Water Pump

Performance Curve



Dimension (mm[inch])



Performance (testing under room temperature)

Model	Dim A mm[inch]	Dim B mm[inch]	Dim S mm[inch]	Gear Ratio	Rated Voltage (V DC)	No Load		At Maximum Efficiency				Max Power		
						Speed (rpm)	Current (A)	Torque (kg-cm[lb-in])	Speed (rpm)	Current (A)	Output (W)	Effic'y (%)	Torque (kg-cm[lb-in])	Current (A)
GS33D-09-01	171.5[6.75]	83.8[3.3]	12.7[0.5]	17.75:1	24	141	2.8	138.4[120.2]	116	13.3	164.4	51	384.5[333.8]	32.1
GS33D-09-02	122.3[4.81]	83.8[3.3]	12.0[0.472]	9.7:1	24	350	3.65	59.5[60.8]	290	12.4	177.5	59.6	175.0[151.9]	31.7

The information above is for reference only, detailed specification is subject to final confirmation

Email: sales@cclmotors.com Website: <http://www.cclmotors.com>
4/F, No. 6, On Lok Mun Street, On Lok Tsuen, Fanling, N.T., Hong Kong

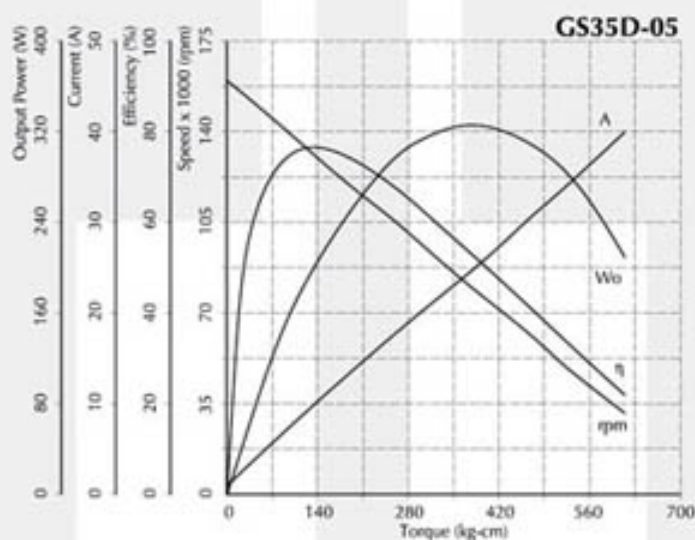
Tel: (852) 3125 0000 Fax: (852) 3125 0125



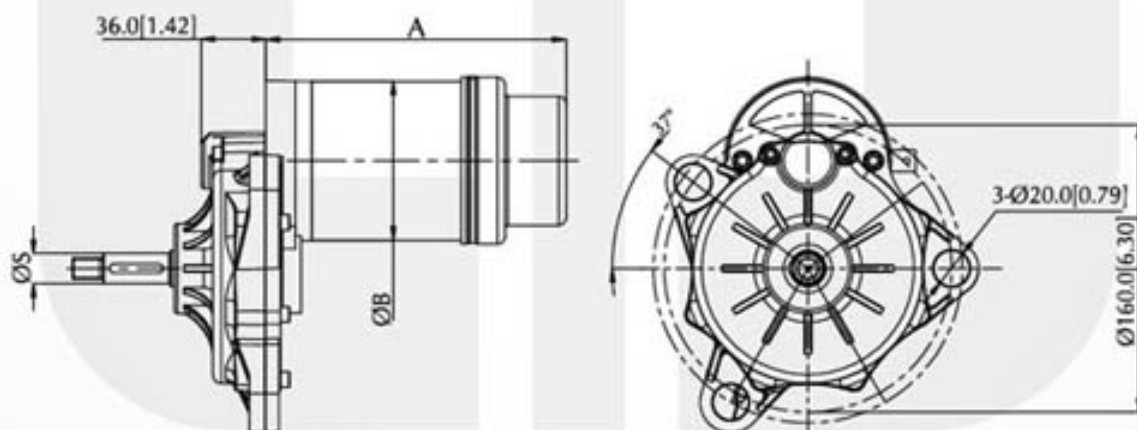
Gearmotor - GS35D-05 Series

Voltage : 12 - 36V DC
 Rated Speed : 100 - 200rpm
 Rated Output Power: 100 - 350W
 Gear Ratio : 14.2 : 1, 17.75 : 1
 Rated Torque : 50.0-141.5kg-cm[43.4-122.8lb-in]
 Motor Diameter : Ø89mm[3.5inch]
 Typical Application : Electric Wheelchair

Performance Curve



Dimension (mm[inch])



Performance (testing under room temperature)

Model	Dim A mm[inch]	Dim B mm[inch]	Dim S mm[inch]	Gear Ratio	Rated Voltage (V DC)	No Load		At Maximum Efficiency				Max Power		
						Speed (rpm)	Current (A)	Torque (kg-cm[lb-in])	Speed (rpm)	Current (A)	Output (W)	Efici'y (%)	Torque (kg-cm[lb-in])	Current (A)
GS35D-05-01	167.9[6.61]	89.0[3.50]	17.0[0.67]	17.75:1	24	166.5	3.0	141.5[122.8]	138.0	14.3	200.8	64	416.3[361.3]	36.3
GS35D-05-02	164.9[6.49]	89.0[3.50]	17.0[0.67]	14.2:1	22	230	4.0	50.0[43.4]	189	19.2	267.3	58	383.3[332.7]	46.2

The information above is for reference only, detailed specification is subject to final confirmation

Email: sales@cclmotors.com Website: <http://www.cclmotors.com>
4/F, No. 6, On Lok Mun Street, On Lok Tsuen, Fanling, N.T., Hong Kong

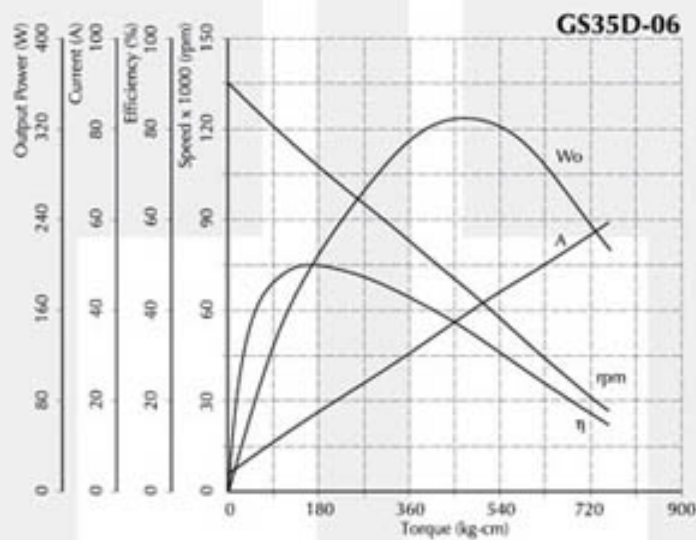
Tel: (852) 3125 0000 Fax: (852) 3125 0125



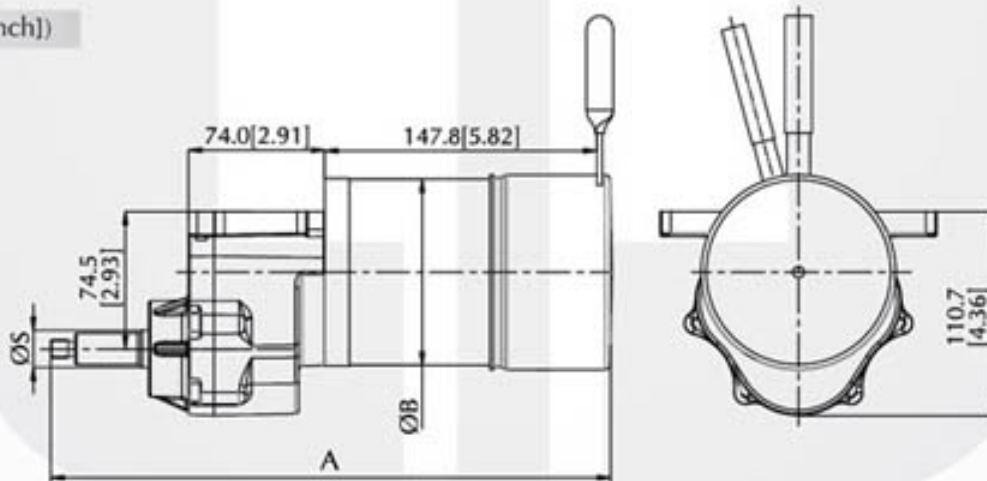
Gearmotor - GS35/40D-06 Series

Voltage : 12 - 36V DC
 Rated Speed : 150 - 250rpm
 Rated Output Power: 150 - 400W
 Gear Ratio : 26 : 1
 Rated Torque : 180.14-205.83kg-cm[156.4-178.8lb-in]
 Motor Diameter : $\varnothing 88.9/102\text{mm}[3.5/4.0\text{inch}]$
 Typical Application : Electric Wheelchair

Performance Curve



Dimension (mm[inch])



Performance (testing under room temperature)

Model	Dim A mm[inch]	Dim B mm[inch]	Dim S mm[inch]	Gear Ratio	Rated Voltage (V DC)	No Load		At Maximum Efficiency				Max Power		
						Speed (rpm)	Current (A)	Torque (kg-cm[lb-in])	Speed (rpm)	Current (A)	Output (W)	Effic'y (%)	Torque (kg-cm[lb-in])	Current (A)
GS35D-06	306.3[12.06]	88.9[3.5]	20[0.79]	26:1	24	135	3.8	180.1[156.4]	110	16.6	203.0	50.9	481.7[418.1]	38
GS40D-06	306.3[12.06]	102.0[4.0]	20[0.79]	26:1	24	130	4.0	205.8[178.8]	107	19.5	227	49.1	590.7[512.8]	49

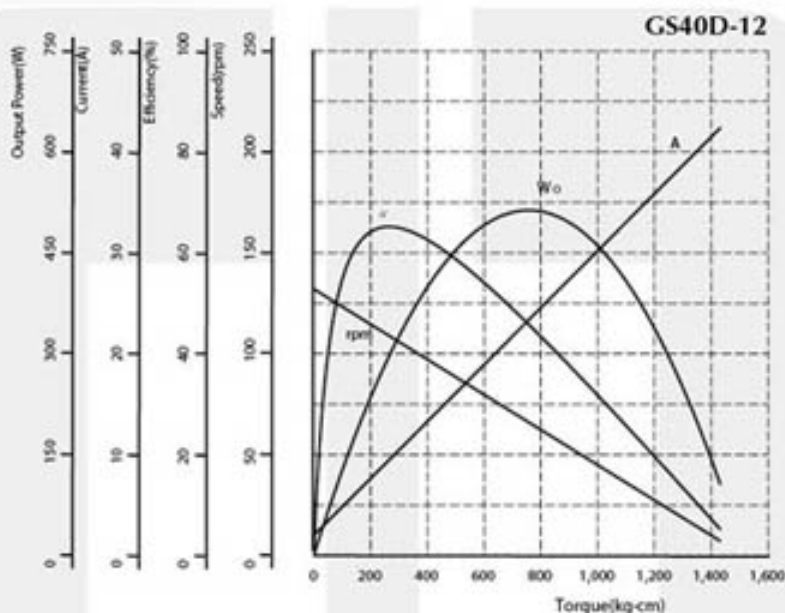
The information above is for reference only, detailed specification is subject to final confirmation



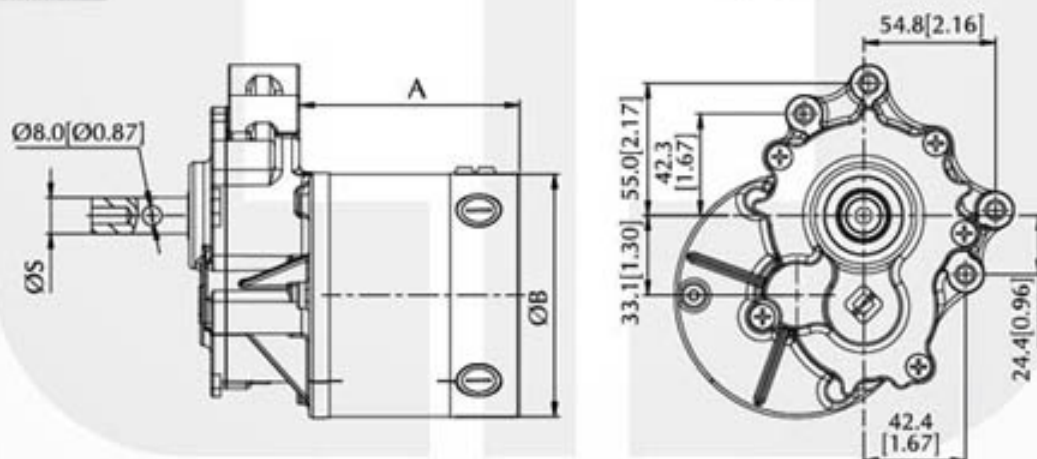
Gearmotor – GS40D-12 Series

Voltage : 12 - 72V DC
 Rated Speed : 80 - 130rpm
 Rated Output Power: 100 - 300W
 Gear Ratio : 24.4 : 1
 Rated Torque : 240-265kg-cm[208.31-230.01lb-in]
 Motor Diameter : \varnothing 101.6mm[4.0inch]
 Typical Application : Cleaning Cart (Road brush)

Performance Curve



Dimension (mm[inch])



Performance (testing under room temperature)

Model	Dim A mm[inch]	Dim B mm[inch]	Dim S mm[inch]	Gear Ratio	Rated Voltage (V DC)	No Load		At Maximum Efficiency				Max Power		
						Speed (rpm)	Current (A)	Torque (kg-cm[lb-in])	Speed (rpm)	Current (A)	Output (W)	Effic'y (%)	Torque (kg-cm[lb-in])	Current (A)
GS40D-12T-0001	91.5[3.60]	101.6[4.0]	15.0[0.59]	1:24.4	48	132	2.0	265[230.01]	109	9.5	296	65	757[657.05]	23.4
GS40D-12T-0002	91.5[3.60]	101.6[4.0]	15.0[0.59]	1:24.4	48	100	2.0	240[208.31]	81.5	8.8	201	47.7	650[564.17]	20.3

The information above is for reference only, detailed specification is subject to final confirmation

Email: sales@cclmotors.com Website: <http://www.cclmotors.com>
 4/F, No. 6, On Lok Mun Street, On Lok Tsuen, Fanling, N.T., Hong Kong

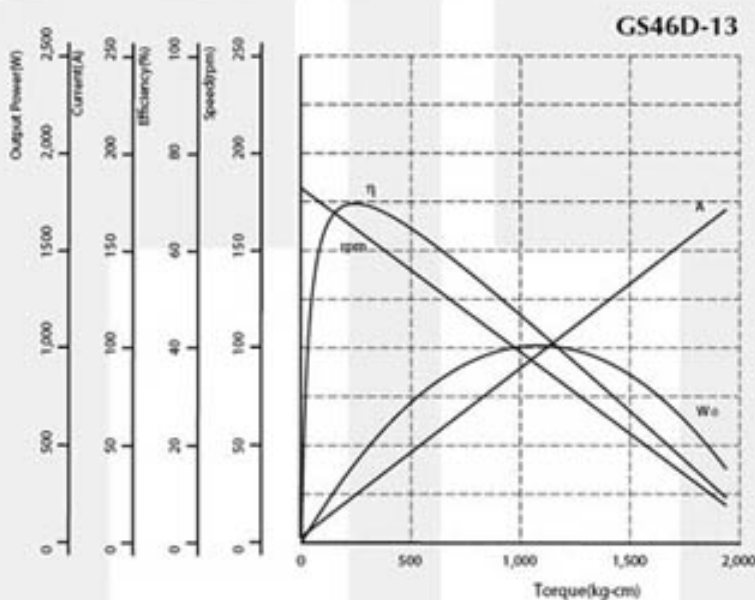
Tel: (852) 3125 0000 Fax: (852) 3125 0125



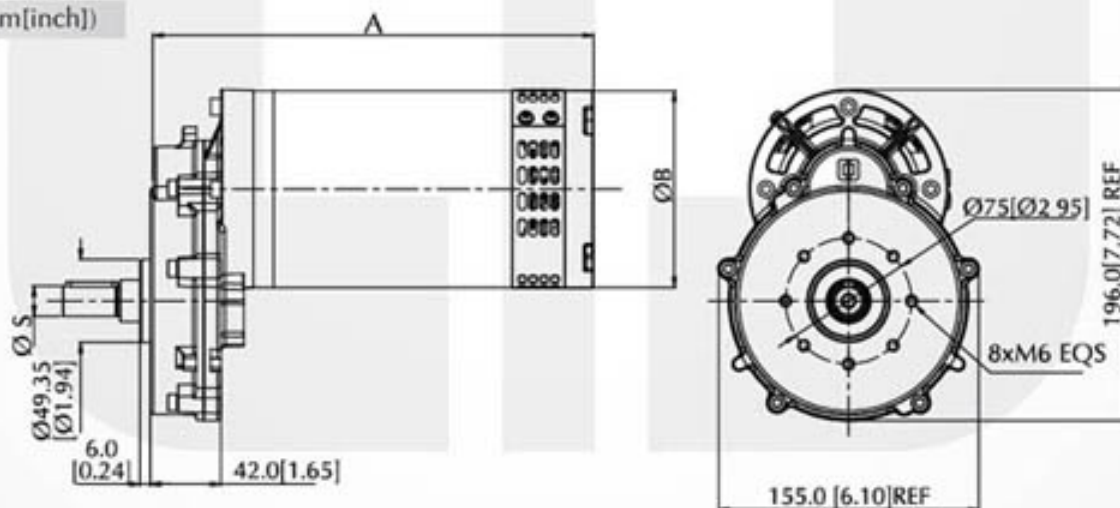
Gearmotor – GS46D-13 Series

Voltage : 12 - 72V DC
 Rated Speed : 150 - 250rpm
 Rated Output Power: 100 - 550W
 Gear Ratio : 10.1 : 1
 Rated Torque : 194.90-237.58kg-cm[169.16-206.21lb-in]
 Motor Diameter : \varnothing 117.9mm[4.6inch]
 Typical Application : Cleaning Cart (Road brush)

Performance Curve



Dimension (mm[inch])



Performance (testing under room temperature)

Model	Dim A mm[inch]	Dim B mm[inch]	Dim S mm[inch]	Gear Ratio	Rated Voltage (V DC)	No Load		At Maximum Efficiency				Max Power		
						Speed (rpm)	Current (A)	Torque (kg-cm[lb-in])	Speed (rpm)	Current (A)	Output (W)	Efic'y (%)	Torque (kg-cm[lb-in])	Current (A)
GS46D-13T-0001	263.8[10.38]	117.9[4.64]	18.0[0.709]	1:10.1	24	190	3.0	194.90[169.16]	168	19.4	336	72.2	847.96[735.99]	76.1
GS46D-13T-0002	263.8[10.38]	117.9[4.64]	18.0[0.709]	1:10.1	24	190	4.0	237.58[206.21]	163	23.6	398.2	70.3	847.96[735.99]	74.1

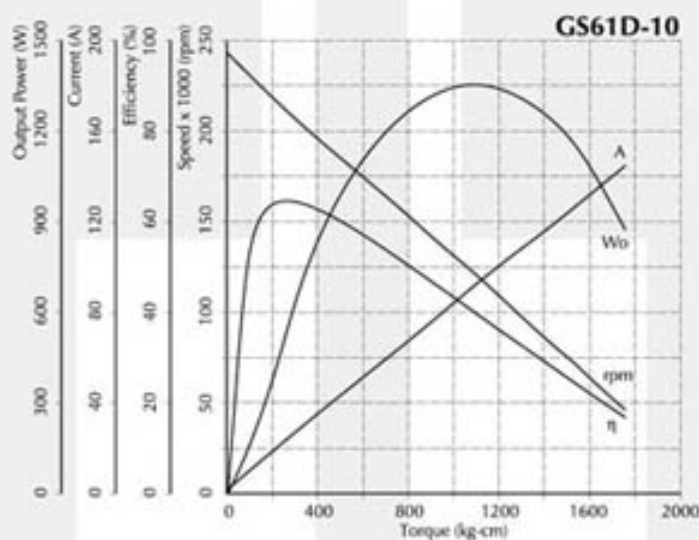
The information above is for reference only, detailed specification is subject to final confirmation



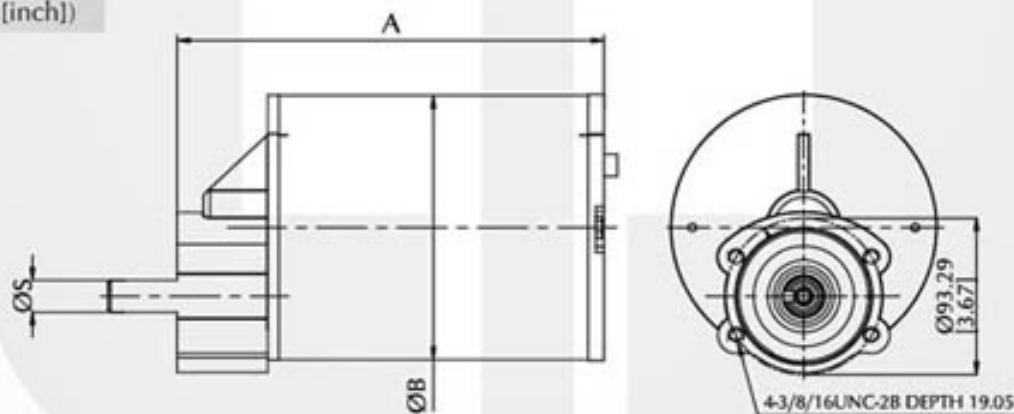
Gearmotor – GS56/61D-10 Series

Voltage : 12 - 110V DC
 Rated Speed : 150 - 350rpm
 Rated Output Power: 300 - 800W
 Gear Ratio : 5.17 : 1
 Rated Torque : 178.6-262.6kg-cm[155.0-228.0lb-in]
 Motor Diameter : \varnothing 139.2/158.5mm[5.48/6.24inch]
 Typical Application : Polisher

Performance Curve



Dimension (mm[inch])



Performance (testing under room temperature)

Model	Dim A mm[inch]	Dim B mm[inch]	Dim S mm[inch]	Gear Ratio	Rated Voltage (V DC)	No Load		At Maximum Efficiency				Max Power		
						Speed (rpm)	Current (A)	Torque (kg-cm[lb-in])	Speed (rpm)	Current (A)	Output (W)	Effic'y (%)	Torque (kg-cm[lb-in])	Current (A)
GS56D-10	254.5[10.02]	139.2[5.48]	19.0[0.75]	5.17:1	24	240	3.6	178.6[155.0]	209	25.1	383.0	63.5	687.0[596.3]	86
GS61D-10	254.5[10.02]	158.5[6.24]	19.0[0.75]	5.17:1	36	240	3.2	262.6[228.0]	213	24.7	573.2	64.5	1094.3[949.9]	93

The information above is for reference only, detailed specification is subject to final confirmation

Email: sales@cclmotors.com Website: <http://www.cclmotors.com>
 4/F, No. 6, On Lok Mun Street, On Lok Tsuen, Fanling, N.T., Hong Kong

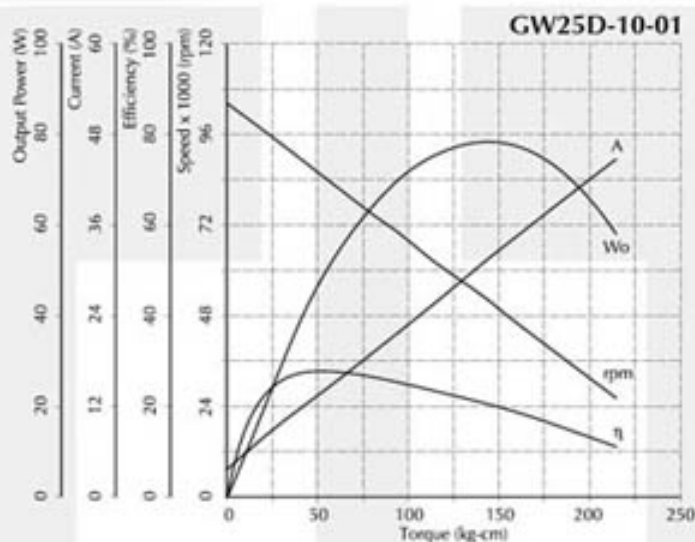
Tel: (852) 3125 0000 Fax: (852) 3125 0125



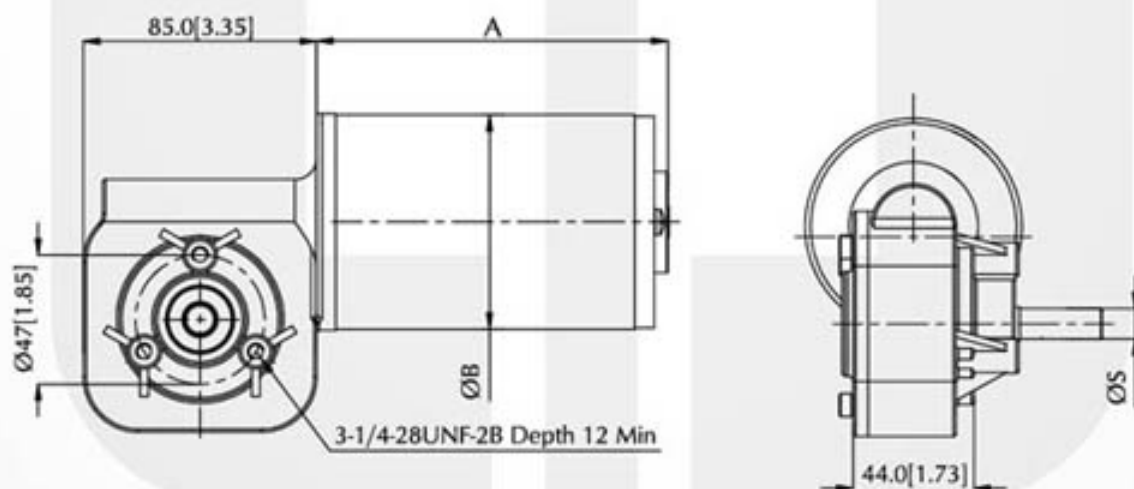
Gearmotor – GW25D/30D-01 Series

Voltage : 12 - 36V DC
 Rated Speed : 50 - 150rpm
 Rated Output Power: 30 - 100W
 Gear Ratio : 30 : 1, 35 : 1, 63 : 1
 Rated Torque : 56.10-183.74kg-cm[48.8-159.5lb-in]
 Motor Diameter : Ø63.5/76.2mm[2.5/3.0inch]
 Typical Application : Truck Lift

Performance Curve



Dimension (mm[inch])



Performance (testing under room temperature)

Model	Dim A mm[inch]	Dim B mm[inch]	Dim S mm[inch]	Gear Ratio	Rated Voltage (V DC)	No Load		At Maximum Efficiency				Max Power		
						Speed (rpm)	Current (A)	Torque (kg-cm)[lb-in]	Speed (rpm)	Current (A)	Output (W)	Effic'y (%)	Torque (kg-cm)[lb-in]	Current (A)
GW25D-01-01	128.7[5.07]	63.5[2.5]	17[0.67]	35:1	12	50	4.0	183.74[159.5]	43	24.47	81.1	27.63	656.3[569.3]	77.1
GW25D-01-02	128.7[5.07]	63.5[2.5]	17[0.67]	35:1	24	112	1.6	56.10[48.8]	91	8	52.3	27	153.0[133.1]	19
GW30D-01-01	128.7[5.07]	76.2[3.0]	17[0.67]	63:1	12	61	3.7	163.20[142.0]	52	21.8	85.4	33	550.6[479.0]	65
GW30D-01-02	128.7[5.07]	76.2[3.0]	17[0.67]	30:1	12	93	2.3	70.40[61.2]	79	12.1	56.8	39	234.5[204.0]	35

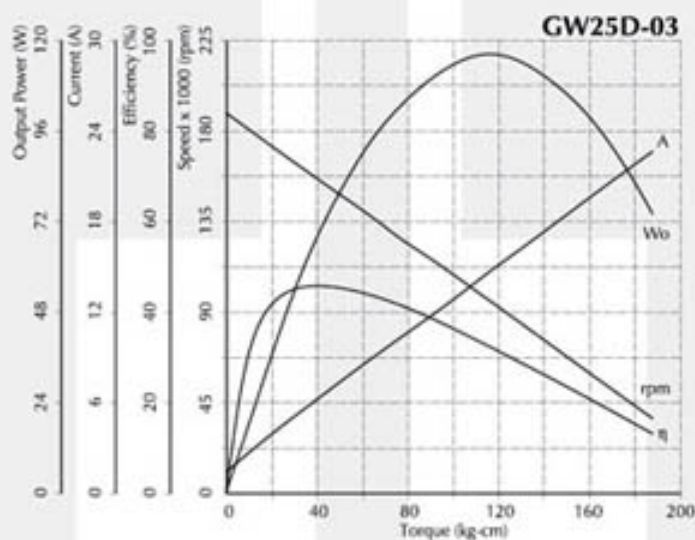
The information above is for reference only, detailed specification is subject to final confirmation

Gearmotor - GW25D-03 Series

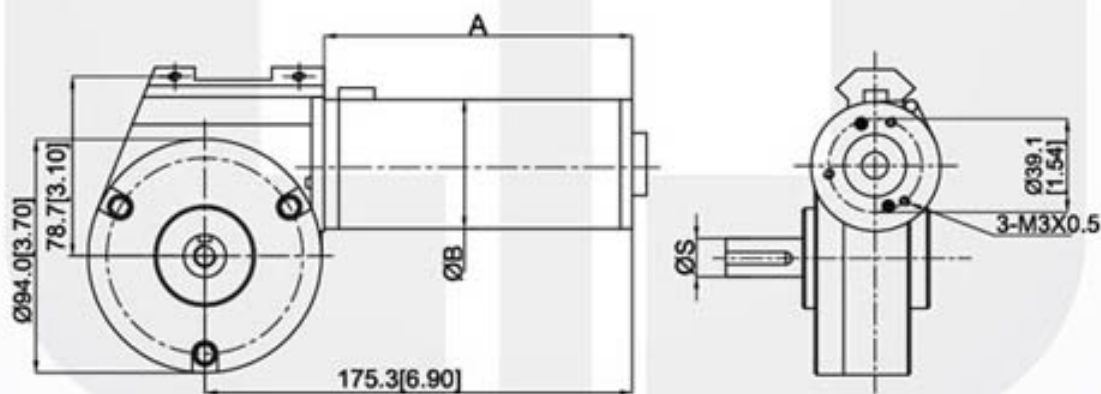


Voltage : 12 - 36V DC
 Rated Speed : 100 - 200rpm
 Rated Output Power: 50 - 150W
 Gear Ratio : 35 : 1
 Rated Torque : 45.6-100.6kg-cm[39.6-87.3lb-in]
 Motor Diameter : \varnothing 54.9mm[2.16inch]
 Typical Application : Shopping Cart, Golf Cart
 Feature : Optional break

Performance Curve



Dimension (mm[inch])



Performance (testing under room temperature)

Model	Dim A mm[inch]	Dim B mm[inch]	Dim S mm[inch]	Gear Ratio	Rated Voltage (V DC)	No Load		At Maximum Efficiency				Max Power		
						Speed (rpm)	Current (A)	Torque (kg-cm)[lb-in]	Speed (rpm)	Current (A)	Output (W)	Effic'y (%)	Torque (kg-cm)[lb-in]	Current (A)
GW25D-03-01	126.9[4.996]	54.9[2.16]	15.0[0.6]	35:1	36	92	1.2	45.6[39.6]	84	2.18	39.32	50.88	171.9[149.2]	7.61
GW25D-03-02	126.9[4.996]	54.9[2.16]	16.8[0.66]	35:1	24	175	3.18	100.6[87.3]	135	10.8	139.2	53.7	219.4[190.4]	19.8

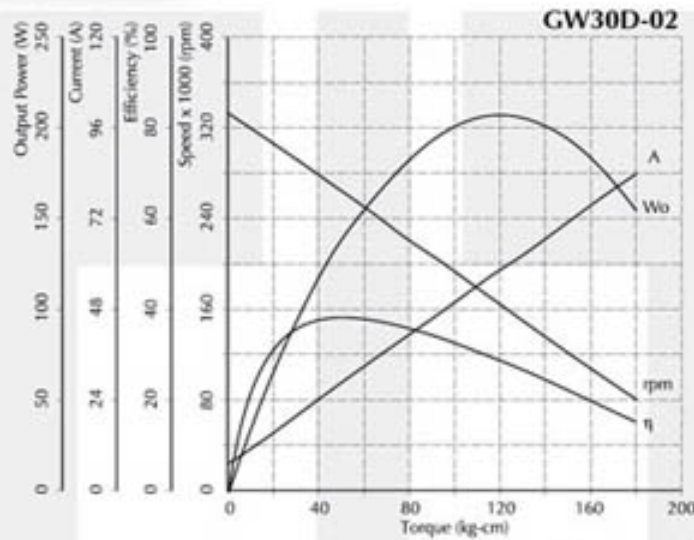
The information above is for reference only, detailed specification is subject to final confirmation



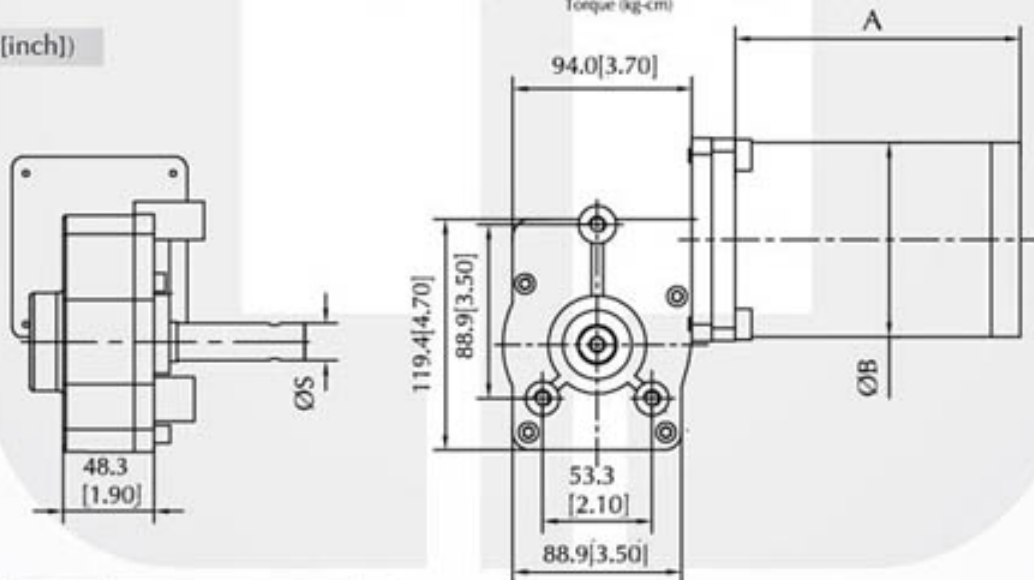
Gearmotor - GW33D-02 Series

Voltage : 12 - 36V DC
 Rated Speed : 50 - 600rpm
 Rated Output Power: 100 - 350W
 Gear Ratio : 8 : 1, 20 : 1, 30 : 1, 63 : 1
 Rated Torque : 31.7-175.4kg-cm[27.5-152.20lb-in]
 Motor Diameter : \varnothing 83.8mm[3.3inch]
 Typical Application : Sprinkle Salt Spreader, Hydraulic Pump

Performance Curve



Dimension (mm[inch])



Performance (testing under room temperature)

Model	Dim A mm[inch]	Dim B mm[inch]	Dim S mm[inch]	Gear Ratio	Rated Voltage (V DC)	No Load		At Maximum Efficiency				Max Power		
						Speed (rpm)	Current (A)	Torque (kg-cm[lb-in])	Speed (rpm)	Current (A)	Output (W)	Effic'y (%)	Torque (kg-cm[lb-in])	Current (A)
GW33D-02-01	116.0[4.57]	83.8[3.3]	19.0[0.75]	20:1	12	325	12.0	66.0[57.29]	271.4	59.4	183.9	25.8	200.0[173.60]	155.9
GW33D-02-02	116.0[4.57]	83.8[3.3]	19.0[0.75]	30:1	12	180	11.5	175.4[152.20]	150	64.0	271.1	35	530.2[460.20]	158
GW33D-02-03	116.0[4.57]	83.8[3.3]	19.0[0.75]	8:1	12	745	11	31.7[27.50]	577	35.1	189.6	45	71.4[61.97]	64
GW33D-02-04	116.0[4.57]	83.8[3.3]	19.0[0.75]	63:1	12	62	5.3	175.4[152.20]	51	25.5	92.2	30	499.7[433.70]	62

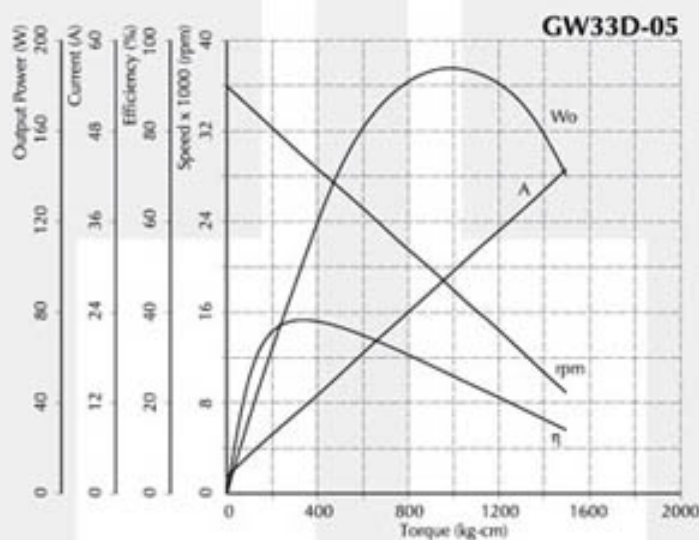
The information above is for reference only, detailed specification is subject to final confirmation

Gearmotor - GW33D-05 Series

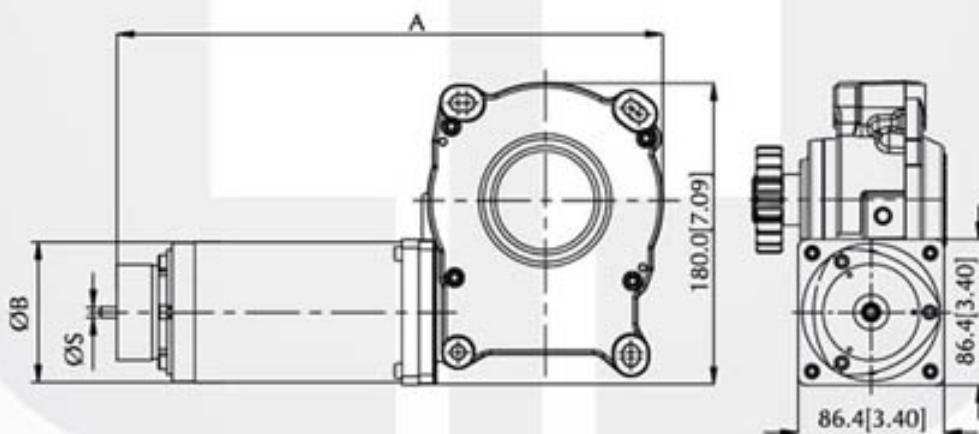


Voltage : 12 - 60V DC
 Rated Speed : 21 - 240rpm
 Rated Output Power: 100 - 350W
 Gear Ratio : 25 : 1, 60 : 1
 Rated Torque : 122.4-315.0kg-cm[106.5-273.0lb-in]
 Motor Diameter : Ø83.8mm[3.3inch]
 Typical Application : Stair Lift

Performance Curve



Dimension (mm[inch])



Performance (testing under room temperature)

Model	Dim A mm[inch]	Dim B mm[inch]	Dim S mm[inch]	Gear Ratio	Rated Voltage (V DC)	No Load		At Maximum Efficiency				Max Power		
						Speed (rpm)	Current (A)	Torque (kg-cm[lb-in])	Speed (rpm)	Current (A)	Output (W)	Effic'y (%)	Torque (kg-cm[lb-in])	Current (A)
GW33D-05-01	325.0[12.80]	83.8[3.3]	7.0[0.28]	25:1	48	271	3.4	122.4[106.5]	240	23.0	310.0	28	540.4[470.1]	89
GW33D-05-02	325.0[12.80]	83.8[3.3]	7.0[0.28]	60:1	24	40	2.5	315.0[273.0]	31.0	9.6	124.0	54	927.3[804.8]	19.8

The information above is for reference only, detailed specification is subject to final confirmation

Email: sales@cclmotors.com Website: <http://www.cclmotors.com>
 4/F, No. 6, On Lok Mun Street, On Lok Tsuen, Fanling, N.T., Hong Kong

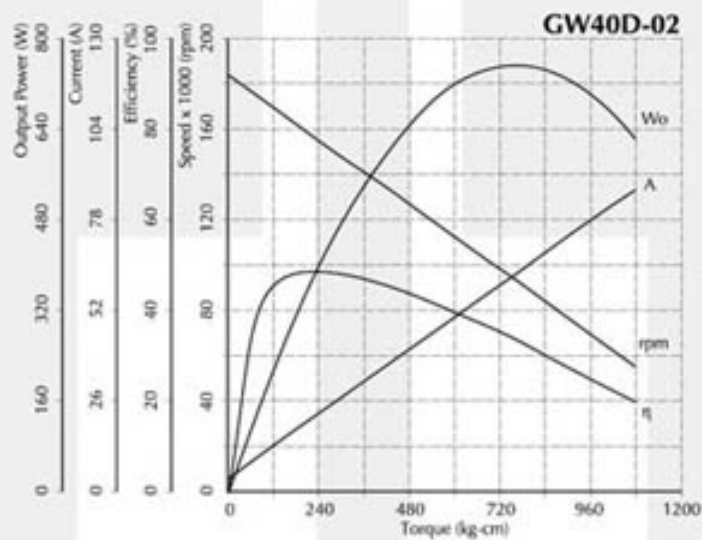
Tel: (852) 3125 0000 Fax: (852) 3125 0125



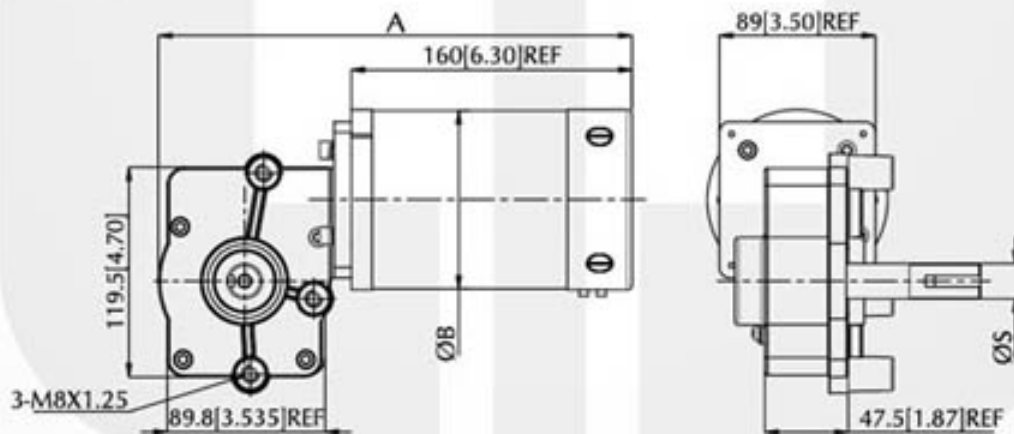
Gearmotor - GW40D-02 Series

Voltage : 12 - 36V DC
 Rated Speed : 100 - 200rpm
 Rated Output Power: 150 - 500W
 Gear Ratio : 21.5 : 1
 Rated Torque : 279.8kg-cm[247.89lb-in]
 Motor Diameter : \varnothing 102mm[4.0inch]
 Typical Application : Polisher, Hospital Bed

Performance Curve



Dimension (mm[inch])



Performance (testing under room temperature)

Model	Dim A mm[inch]	Dim B mm[inch]	Dim S mm[inch]	Gear Ratio	Rated Voltage (V DC)	No Load		At Maximum Efficiency				Max Power		
						Speed (rpm)	Current (A)	Torque (kg-cm[lb-in])	Speed (rpm)	Current (A)	Output (W)	Efic'y (%)	Torque (kg-cm[lb-in])	Current (A)
GW40D-02	269.8[10.62]	102.0[4.0]	20[0.79]	21.5:1	36	171	4.0	279.8[247.89]	145.4	23.0	417.7	51.2	932.1[809.7]	85.5

The information above is for reference only, detailed specification is subject to final confirmation

Email: sales@cclmotors.com Website: <http://www.cclmotors.com>
4/F, No. 6, On Lok Mun Street, On Lok Tsuen, Fanling, N.T., Hong Kong

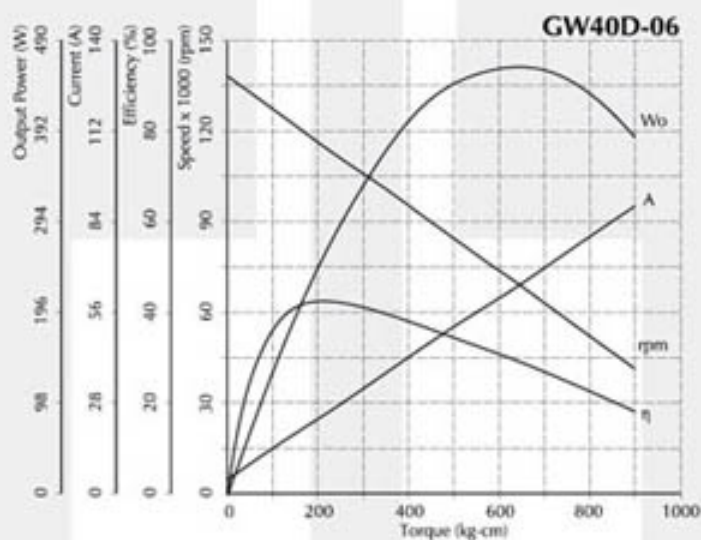
Tel: (852) 3125 0000 Fax: (852) 3125 0125



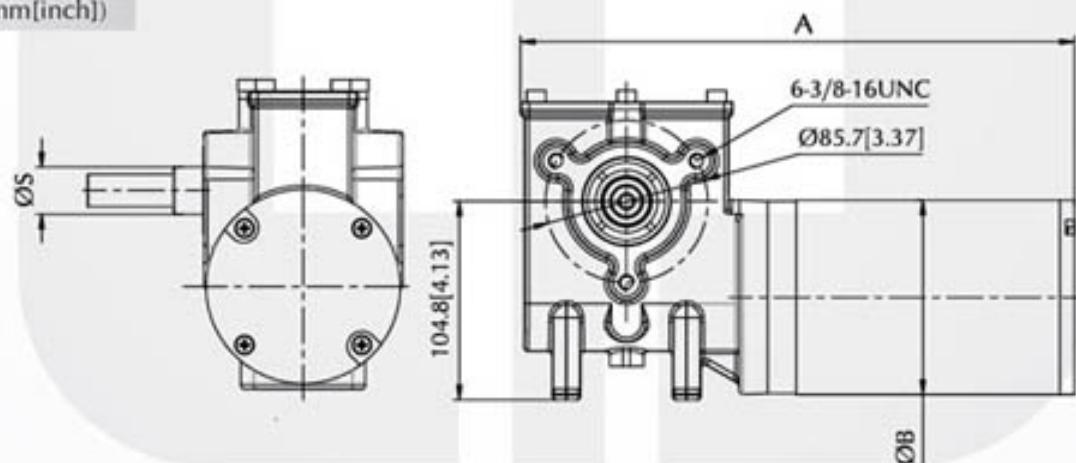
Gearmotor - GW40D-06 Series

Voltage : 12 - 36V DC
 Rated Speed : 80 - 200rpm
 Rated Output Power: 150 - 500W
 Gear Ratio : 22.3 : 1
 Rated Torque : 249.19kg-cm[216.31lb-in]
 Motor Diameter : \varnothing 102.5mm[4.03inch]
 Typical Application : Hospital Bed

Performance Curve



Dimension (mm[inch])



Performance (testing under room temperature)

Model	Dim A mm[inch]	Dim B mm[inch]	Dim S mm[inch]	Gear Ratio	Rated Voltage (V DC)	No Load		At Maximum Efficiency				Max Power		
						Speed (rpm)	Current (A)	Torque (kg-cm[lb-in])	Speed (rpm)	Current (A)	Output (W)	Effic'y (%)	Torque (kg-cm[lb-in])	Current (A)
GW40D-06	290[11.40]	102.5[4.03]	25.0[0.98]	22.3:1	24	130	5.0	249.19[216.31]	109	25.8	279.5	45.13	744.4[647.6]	79

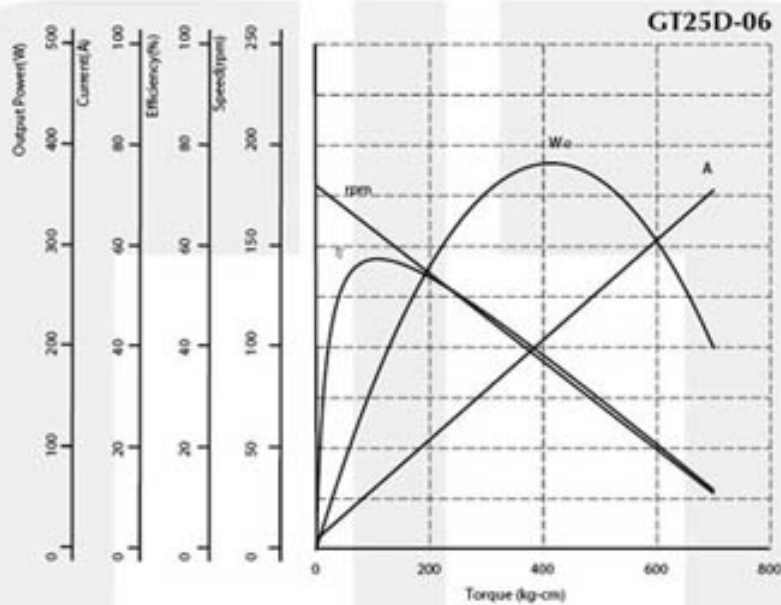
The information above is for reference only, detailed specification is subject to final confirmation



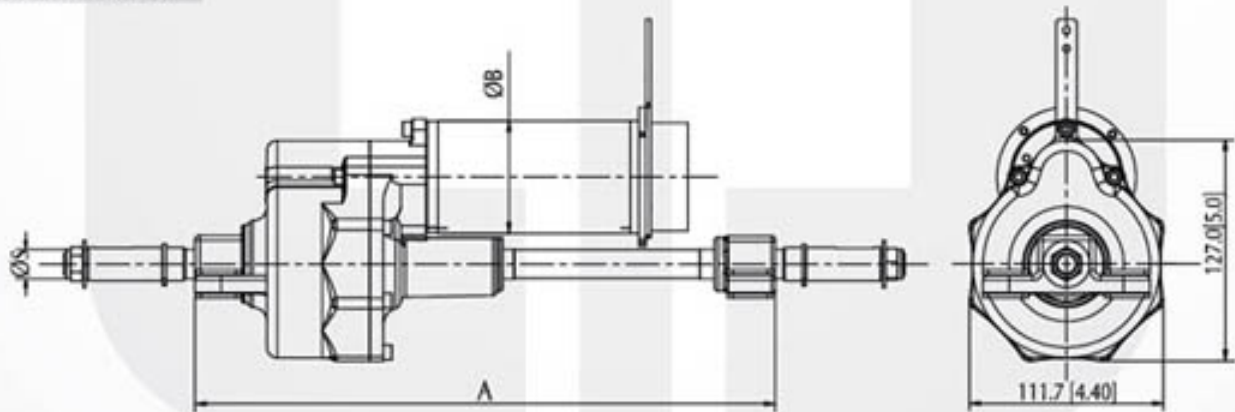
Transaxle - GT25D-06 Series

Voltage	: 12 - 24V DC
Rated Speed	: 150 - 230rpm
Rated Output Power	: 100 - 300W
Gear Ratio	: 17.75 : 1
Rated Torque	: 82.1-113.4kg-cm[71.26-98.43lb-in]
Loading Capability	: 315.0kg-cm[273.41lb-in]
Motor Diameter	: Ø64.9mm[2.56inch]
Typical Application	: Scooter, Polisher
Feature	: Optional break

Performance Curve



Dimension (mm[inch])



Performance (testing under room temperature)

Model	Dim A mm[inch]	Dim B mm[inch]	Dim S mm[inch]	Gear Ratio	Rated Voltage (V DC)	No Load		At Maximum Efficiency				Max Power		
						Speed (rpm)	Current (A)	Torque (kg-cm[lb-in])	Speed (rpm)	Current (A)	Output (W)	Effic'y (%)	Torque (kg-cm[lb-in])	Current (A)
GT25D-06-01	393.4[15.49]	64.9[2.56]	17[0.67]	17.75:1	24	195	2.0	82.1[71.26]	138	11.7	116.1	41.3	243.3[254.57]	36.7
GT25D-06-02	334.1[13.15]	64.9[2.56]	17[0.67]	17.75:1	24	210	2.0	113.4[98.43]	172	11.7	200.5	71.4	315.0[273.41]	28.1

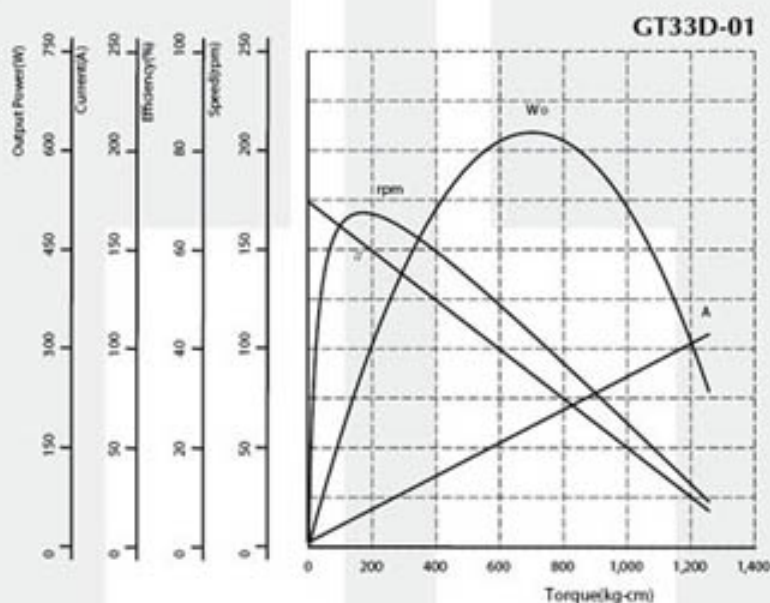
The information above is for reference only, detailed specification is subject to final confirmation



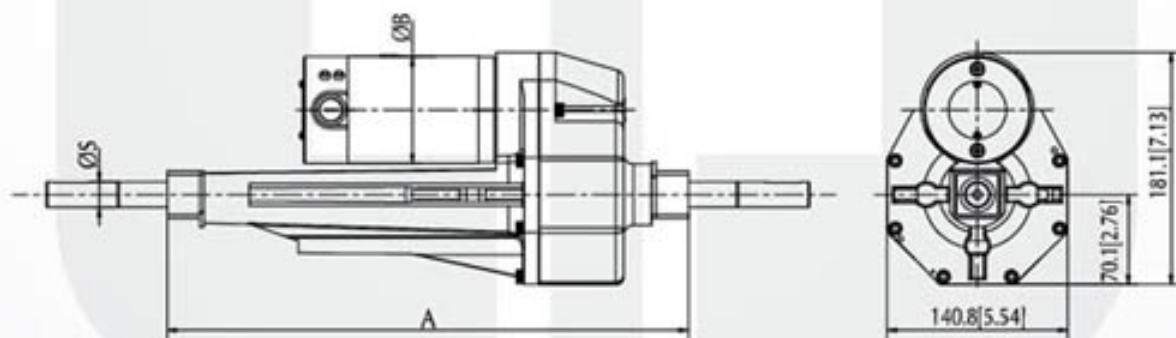
Transaxle – GT33D-01 Series

Voltage : 12 - 36V DC
 Rated Speed : 100 - 200rpm
 Rated Output Power: 150 - 500W
 Gear Ratio : 19.75 : 1
 Rated Torque : 160.0-214.0kg-cm[138.87-185.74lb-in]
 Loading Capability : 805.4kg-cm[699.05lb-in]
 Motor Diameter : Ø83.8mm[3.3inch]
 Typical Application : Polisher, Scooter, Golf Cart

Performance Curve



Dimension (mm[inch])



Performance (testing under room temperature)

Model	Dim A mm[inch]	Dim B mm[inch]	Dim S mm[inch]	Gear Ratio	Rated Voltage (V DC)	No Load		At Maximum Efficiency					Max Power	
						Speed (rpm)	Current (A)	Torque (kg-cm[lb-in])	Speed (rpm)	Current (A)	Output (W)	Effic'y (%)	Torque (kg-cm[lb-in])	Current (A)
GT33D-01-01	406.2[15.99]	83.8[3.3]	20.0[0.79]	19.75:1	24	174	2.3	169.3[146.99]	153	16.45	266.3	67.45	705.7[612.52]	61.3
GT33D-01-02	406.2[15.99]	83.8[3.3]	20.0[0.79]	19.75:1	24	200	2.6	185.2[160.75]	177	20.7	336.7	67.6	805.4[699.05]	81.5
GT33D-01-03	406.2[15.99]	83.8[3.3]	20.0[0.79]	19.75:1	24	185	3.5	214.0[185.74]	160	23.12	351.8	63.4	793.0[688.29]	76.2
GT33D-01-04	406.2[15.99]	83.8[3.3]	20.0[0.79]	19.75:1	24	141	2.0	160.0[138.87]	122.7	13	201.6	64.6	615.5[534.23]	44.3

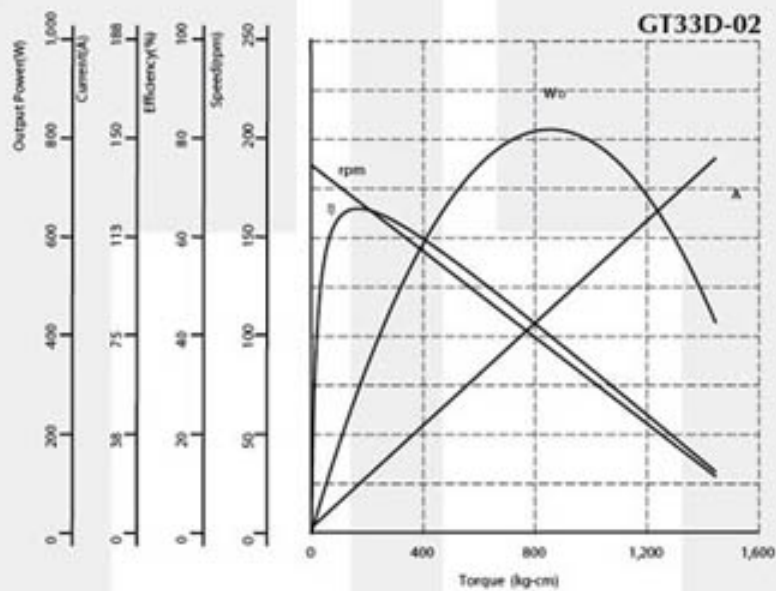
The information above is for reference only, detailed specification is subject to final confirmation



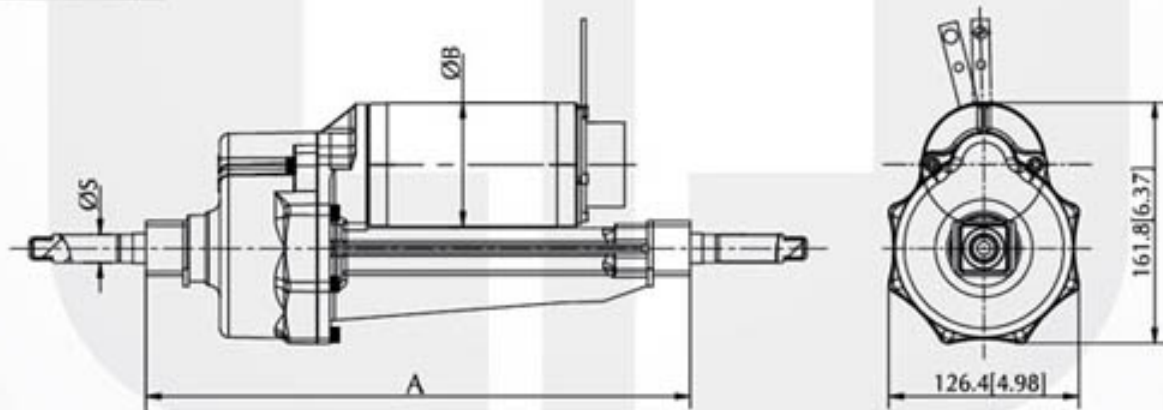
Transaxle - GT33D-02 Series

Voltage : 12 - 36V DC
 Rated Speed : 160 - 180rpm
 Rated Output Power: 200 - 350W
 Gear Ratio : 16.75 : 1
 Rated Torque : 170.8-209.0kg-cm[148.12-181.40lb-in]
 Loading Capability : 854.3kg-cm[741.5lb-in]
 Motor Diameter : Ø83.8mm[3.3inch]
 Typical Application : Scooter, Golf Cart

Performance Curve



Dimension (mm[inch])



Performance (testing under room temperature)

Model	Dim A mm[inch]	Dim B mm[inch]	Dim S mm[inch]	Gear Ratio	Rated Voltage (V DC)	No Load		At Maximum Efficiency				Max Power		
						Speed (rpm)	Current (A)	Torque (kg-cm[lb-in])	Speed (rpm)	Current (A)	Output (W)	Effic'y (%)	Torque (kg-cm[lb-in])	Current (A)
GT33D-02-01	367.5[14.47]	83.8[3.3]	20.0[0.79]	16.75:1	24	187	2	170.8[148.12]	169	18.7	295.3	66	854.3[740.85]	85.3
GT33D-02-02	367.5[14.47]	83.8[3.3]	20.0[0.79]	16.75:1	24	187	2	170.8[148.25]	168	18.6	295.3	65.9	854.3[741.50]	85.3
GT33D-02-03	367.5[14.47]	83.8[3.3]	20.0[0.79]	16.75:1	24	213	4.3	209.0[181.40]	184.2	27.3	397.2	60.6	777.5[674.84]	89.5

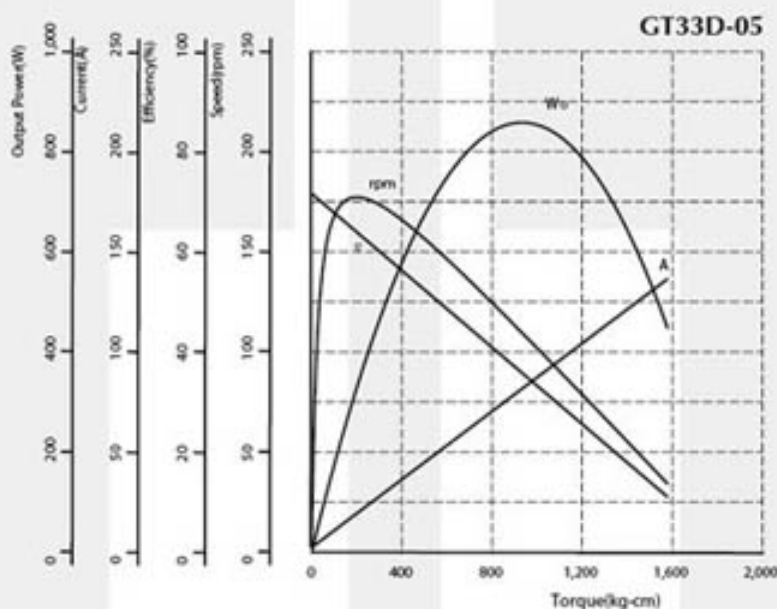
The information above is for reference only, detailed specification is subject to final confirmation

Transaxle – GT33D-05 Series

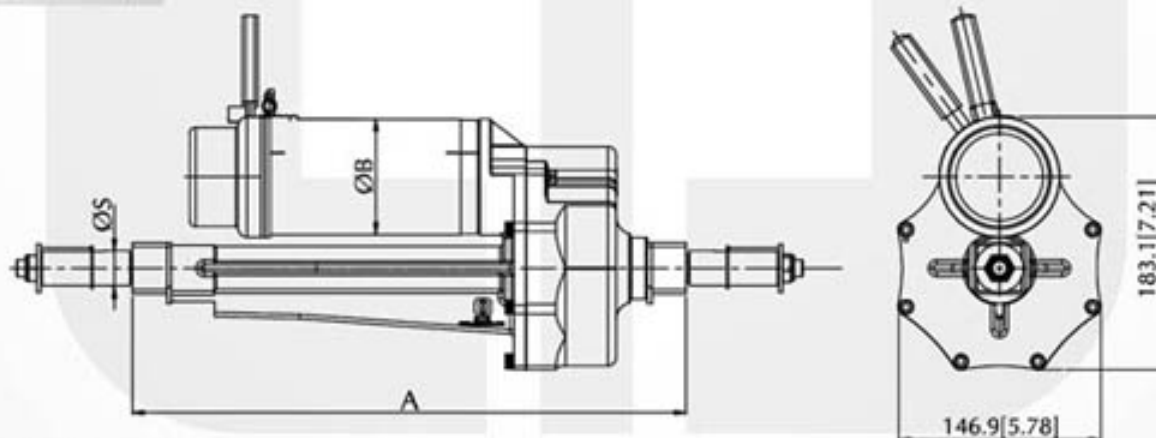


Voltage : 12 - 36V DC
 Rated Speed : 100 - 200rpm
 Rated Output Power: 150 - 400W
 Gear Ratio : 19.75 : 1
 Rated Torque : 178.7-196.0kg-cm[155.1-170.1lb-in]
 Loading Capability : 933.4kg-cm[810.2lb-in]
 Motor Diameter : Ø83.8mm[3.3inch]
 Typical Application : Polisher, Scooter, Golf Cart

Performance Curve



Dimension (mm[inch])



Performance (testing under room temperature)

Model	Dim A mm[inch]	Dim B mm[inch]	Dim S mm[inch]	Gear Ratio	Rated Voltage (V DC)	No Load		At Maximum Efficiency				Max Power		
						Speed (rpm)	Current (A)	Torque (kg-cm[lb-in])	Speed (rpm)	Current (A)	Output (W)	Effic'y (%)	Torque (kg-cm[lb-in])	Current (A)
GT33D-05-01	406.5[16]	83.8[3.3]	19[0.75]	19.75:1	24	179	2.3	196.0[170.1]	160	18.95	322.5	70.9	933.4[810.20]	81.57
GT33D-05-02	406.5[16]	83.8[3.3]	19[0.75]	19.75:1	24	178	2.5	178.7[155.1]	158.4	20.6	291.7	58.7	812.1[704.87]	84.8
GT33D-05-03	406.5[16]	83.8[3.3]	19[0.75]	19.75:1	24	190	3.5	189.8[164.7]	157	24.3	305.2	52	730.0[633.60]	83.5

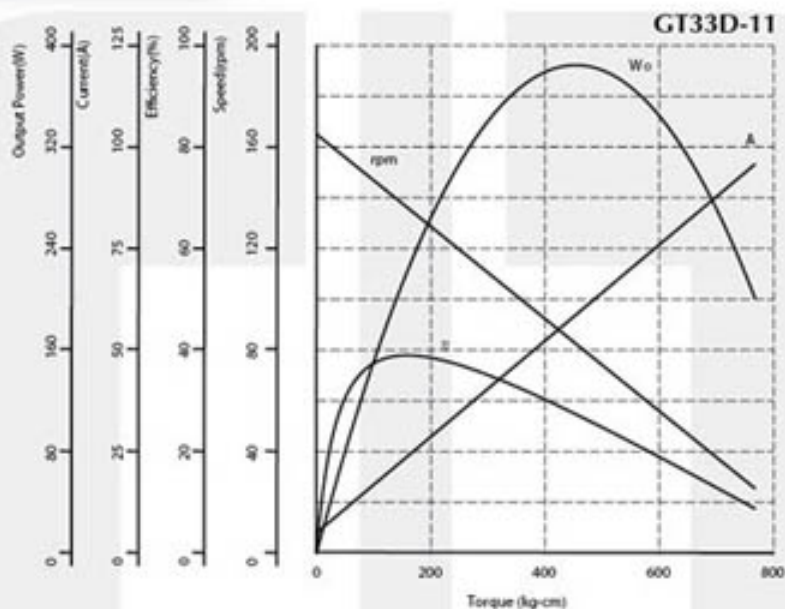
The information above is for reference only, detailed specification is subject to final confirmation



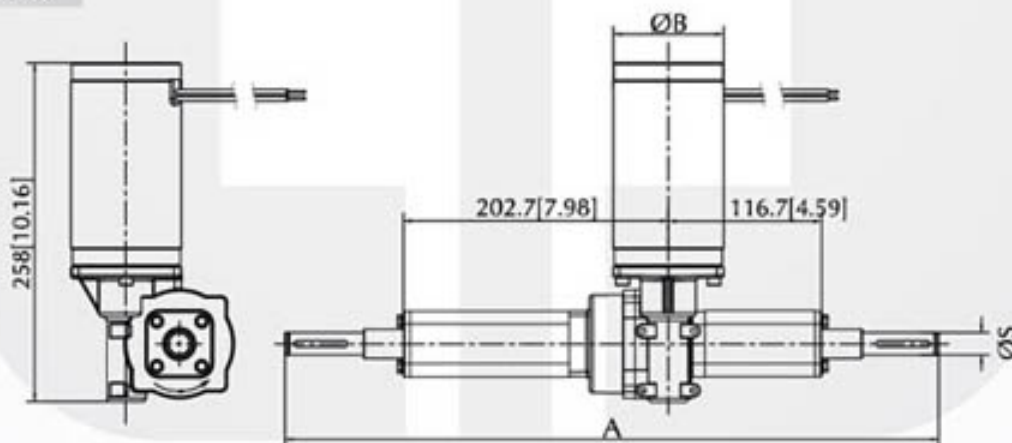
Transaxle - GT33D-11 Series

Voltage : 12 - 48V DC
 Rated Speed : 80 - 150rpm
 Rated Output Power: 150 - 250W
 Gear Ratio : 18 : 1
 Rated Torque : 163.0kg-cm[141.4lb-in]
 Loading Capability : 453.0kg-cm[392.8lb-in]
 Motor Diameter : Ø83.8mm[3.3inch]
 Typical Application : Scooter, Sweeper, Golf Cart

Performance Curve



Dimension (mm[inch])



Performance (testing under room temperature)

Model	Dim A mm[inch]	Dim B mm[inch]	Dim S mm[inch]	Gear Ratio	Rated Voltage (V DC)	No Load		At Maximum Efficiency					Max Power	
						Speed (rpm)	Current (A)	Torque (kg-cm[lb-in])	Speed (rpm)	Current (A)	Output (W)	Effic'y (%)	Torque (kg-cm[lb-in])	Current (A)
GT33D-11	498[19.61]	83.8[3.3]	17[0.67]	18:1	24	165	5.0	163[141.4]	135	23	227	41.4	453[392.8]	53.5

The information above is for reference only, detailed specification is subject to final confirmation

Email: sales@cclmotors.com Website: <http://www.cclmotors.com>
4/F, No. 6, On Lok Mun Street, On Lok Tsuen, Fanling, N.T., Hong Kong

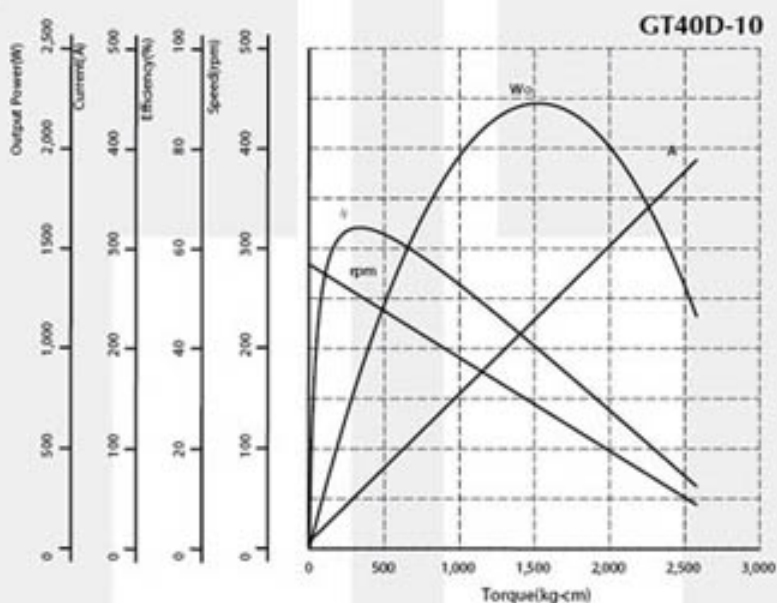
Tel: (852) 3125 0000 Fax: (852) 3125 0125



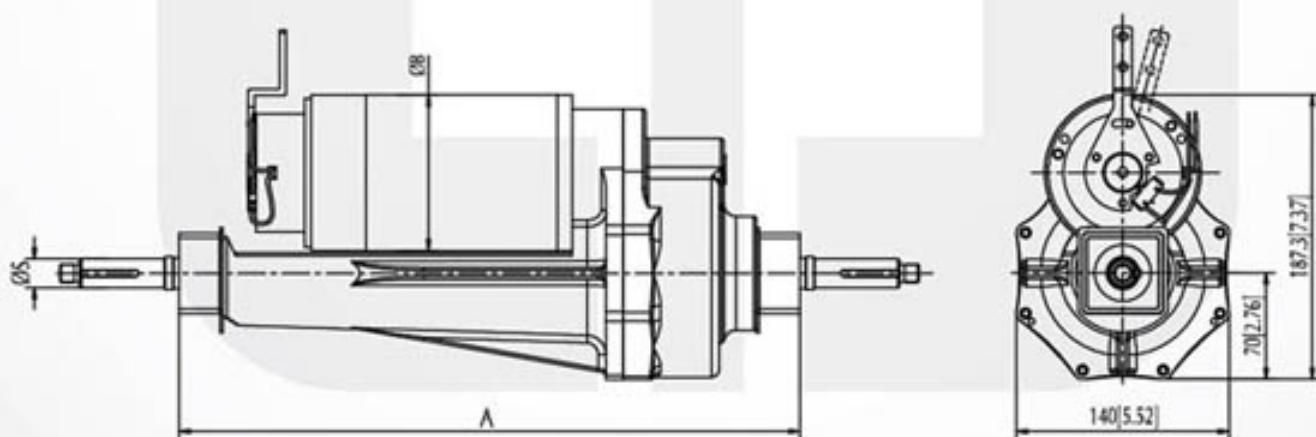
Transaxle - GT40D-10 Series

Voltage : 12 - 36V DC
 Rated Speed : 90 - 220rpm
 Rated Output Power: 260 - 1,000W
 Gear Ratio : 19.75 : 1
 Rated Torque : 335.47kg-cm[291.17lb-in]
 Loading Capability : 1,525kg-cm[1,323lb-in]
 Motor Diameter : \varnothing 101.6mm[4.0inch]
 Typical Application : Heavy Duty Scooter, Polisher, Golf Cart

Performance Curve



Dimension (mm[inch])



Performance (testing under room temperature)

Model	Dim A mm[inch]	Dim B mm[inch]	Dim S mm[inch]	Gear Ratio	Rated Voltage (V DC)	No Load		At Maximum Efficiency				Max Power		
						Speed (rpm)	Current (A)	Torque (kg-cm[lb-in])	Speed (rpm)	Current (A)	Output (W)	Effic'y (%)	Torque (kg-cm[lb-in])	Current (A)
GT40D-10-02	408.2[16.09]	101.6[4.0]	19.07[0.75]	19.75:1	24	284	7.0	335.47[291.17]	252.8	56.57	870.8	64.14	1525[1323]	232.3

The information above is for reference only, detailed specification is subject to final confirmation

Email: sales@cclmotors.com Website: <http://www.cclmotors.com>
 4/F, No. 6, On Lok Mun Street, On Lok Tsuen, Fanling, N.T., Hong Kong

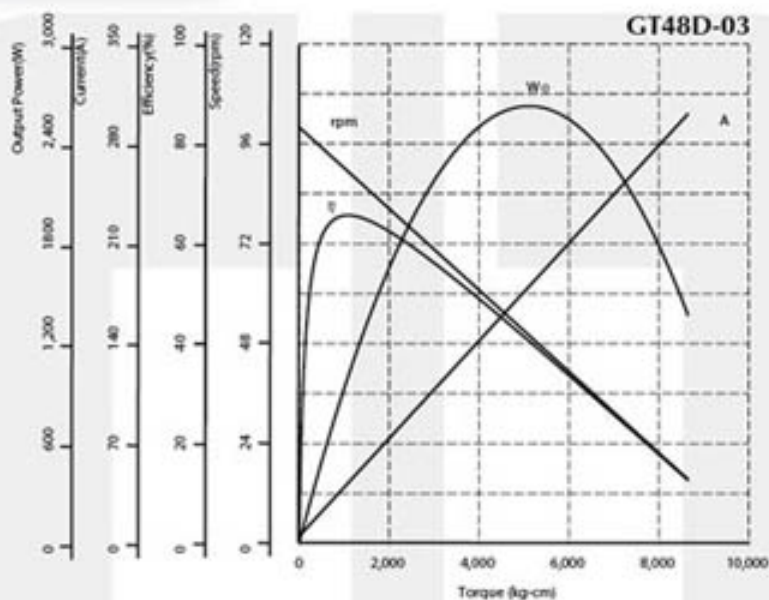
Tel: (852) 3125 0000 Fax: (852) 3125 0125



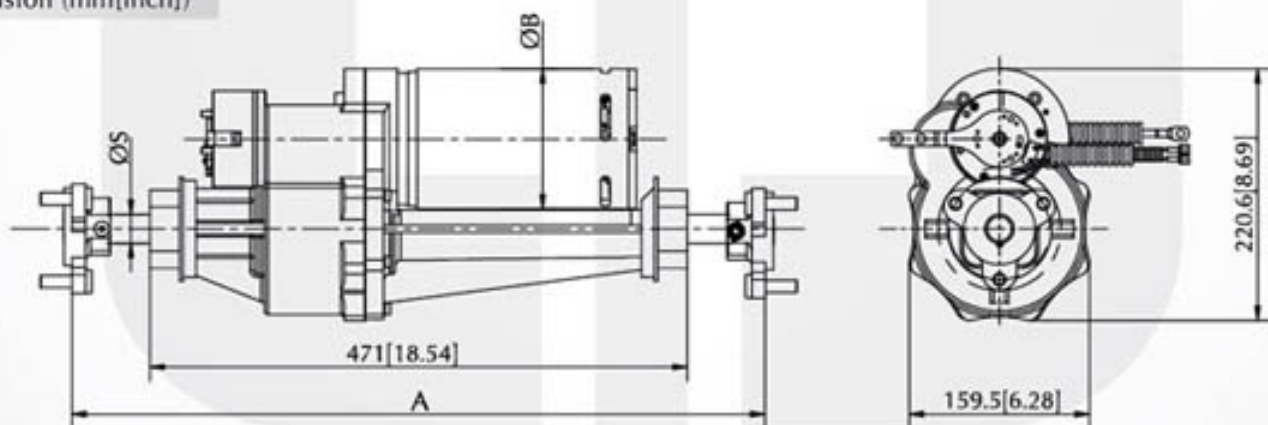
Transaxle - GT48D-03 Series

Voltage : 12 - 36V DC
 Rated Speed : 70 - 120rpm
 Rated Output Power: 600 - 1,200W
 Gear Ratio : 29.9 : 1
 Rated Torque : 1,125.0kg-cm[975.6lb-in]
 Loading Capability : 5,115.0kg-cm[4,439.62lb-in]
 Motor Diameter : \varnothing 122.9mm[4.84inch]
 Typical Application : Polisher, Extra Heavy Duty Scooter

Performance Curve



Dimension (mm[inch])



Performance (testing under room temperature)

Model	Dim A mm[inch]	Dim B mm[inch]	Dim S mm[inch]	Gear Ratio	Rated Voltage (V DC)	No Load		At Maximum Efficiency				Max Power		
						Speed (rpm)	Current (A)	Torque (kg-cm[lb-in])	Speed (rpm)	Current (A)	Output (W)	Effic'y (%)	Torque (kg-cm[lb-in])	Current (A)
GT48D-02	608.3[23.95]	122.9[4.84]	25.4[1.0]	29.9:1	36	100	5	1,125[975.60]	89	43.5	1,028	65.7	5,115[4439.62]	180

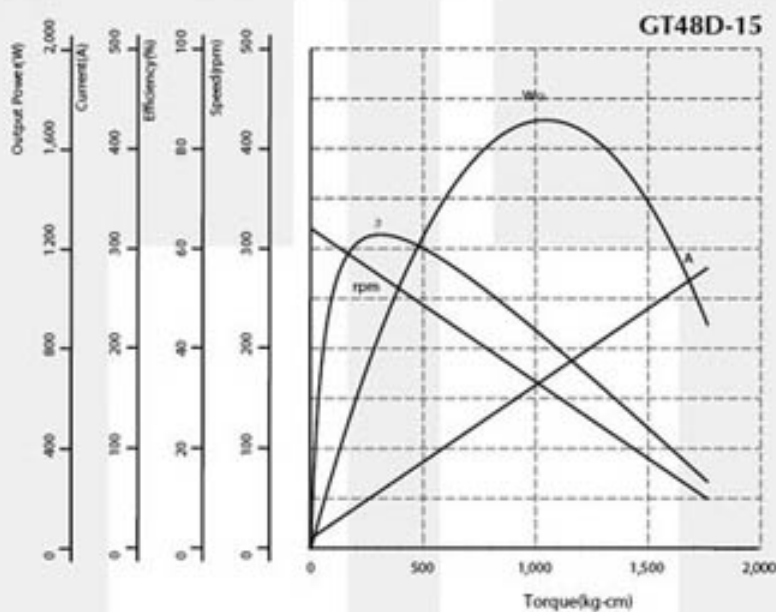
The information above is for reference only, detailed specification is subject to final confirmation



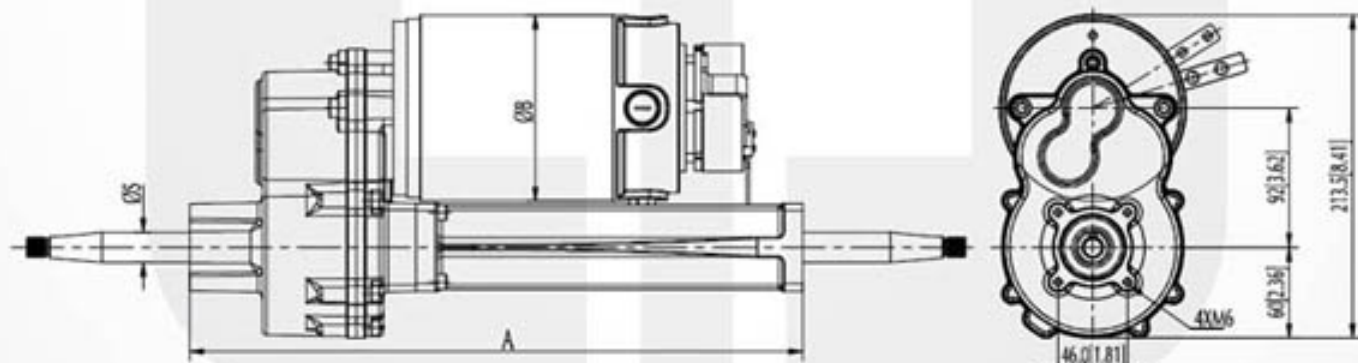
Transaxle - GT48D-15 Series

Voltage : 24 - 48V DC
 Rated Speed : 163 - 220rpm
 Rated Output Power: 800 - 1,500W
 Gear Ratio : 15.3 : 1, 20.9 : 1
 Rated Torque : 312.9-542.2kg-cm[271.58-470.61lb-in]
 Loading Capability : 2,259.6kg-cm[1,961.24lb-in]
 Motor Diameter : $\varnothing 122.9\text{mm}$ [4.84inch]
 Typical Application : Electric Scooter, Golf Cart, Extra Heavy Duty Scooter

Performance Curve



Dimension (mm[inch])



Performance (testing under room temperature)

Model	Dim A mm[inch]	Dim B mm[inch]	Dim S mm[inch]	Gear Ratio	Rated Voltage (V DC)	No Load		At Maximum Efficiency				Max Power		
						Speed (rpm)	Current (A)	Torque (kg-cm[lb-in])	Speed (rpm)	Current (A)	Output (W)	Effic'y (%)	Torque (kg-cm[lb-in])	Current (A)
GT48D-15-01	405[15.94]	122.9[4.84]	25[0.98]	20.9:1	24	220	9.5	542.2[470.61]	194	65	1,078	69	2,259.6[1,961.24]	241
GT48D-15-02	405[15.94]	122.9[4.84]	25[0.98]	15.3:1	24	320	10	312.9[271.58]	272	58	874.2	62.8	1,043.2[905.46]	170

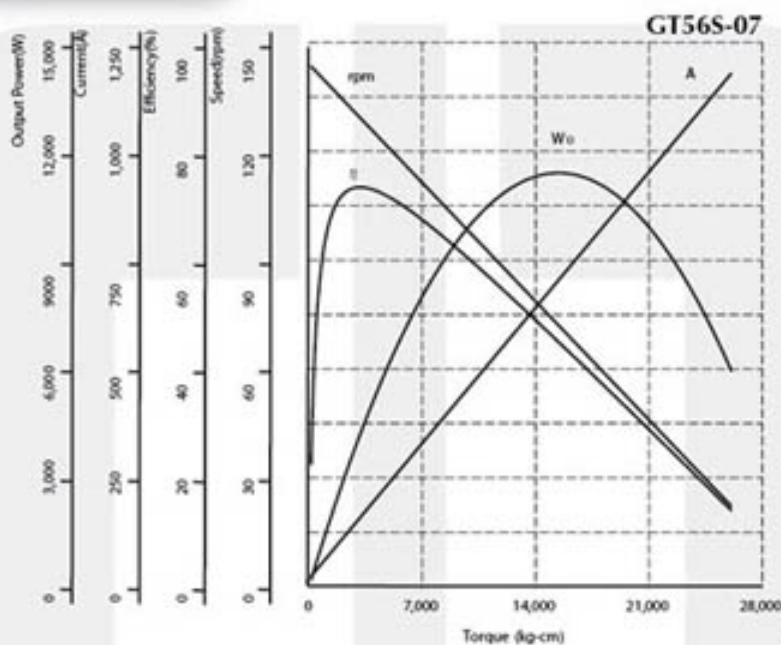
The information above is for reference only, detailed specification is subject to final confirmation



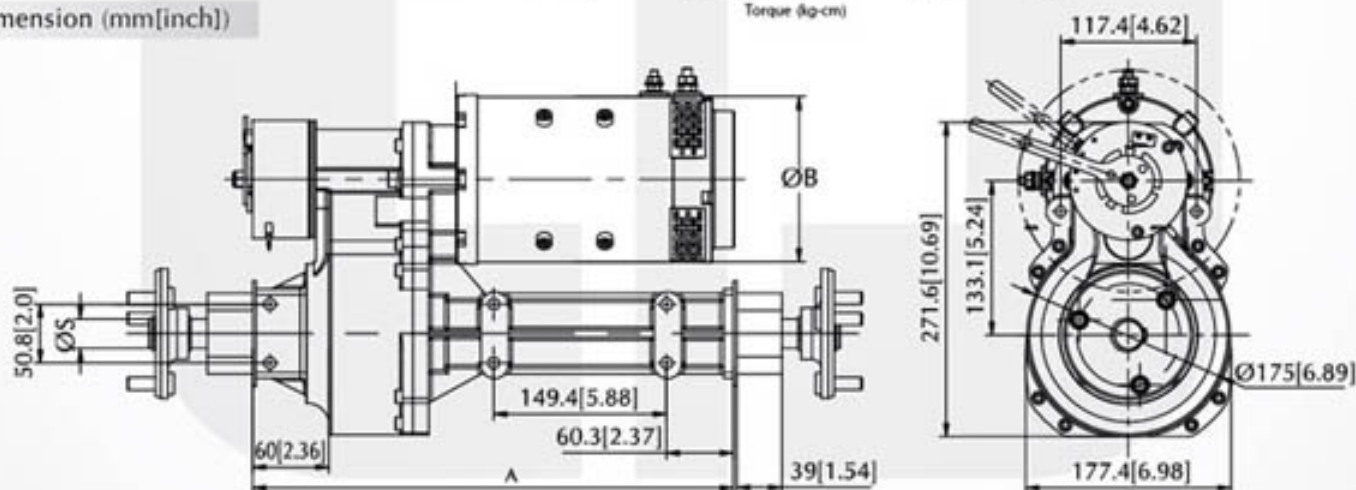
Transaxle - GT56S-07 Series

Voltage	: 24 - 36V DC
Rated Speed	: 80 - 150rpm
Rated Output Power	: 2,500W max
Gear Ratio	: 29.2 : 1
Rated Torque	: 3,085kg-cm[2,675.3lb-in]
Loading Capability	: 15,428.6kg-cm[13,379.7lb-in]
Motor Diameter	: \varnothing 141.5mm[5.57inch]
Typical Application	: Scooter, Material Hauling Cart

Performance Curve



Dimension (mm[inch])



Performance (testing under room temperature)

Model	Dim A mm[inch]	Dim B mm[inch]	Dim S mm[inch]	Gear Ratio	Rated Voltage (V DC)	No Load		At Maximum Efficiency				Max Power		
						Speed (rpm)	Current (A)	Torque (kg-cm[lb-in])	Speed (rpm)	Current (A)	Output (W)	Effic'y (%)	Torque (kg-cm[lb-in])	Current (A)
GT56S-07	496[19.53]	141.5[5.57]	25.4[1.0]	29.2:1	36	144	18	3,085.0[2,675.3]	129	155.8	4,107	73.2	15,428.6[13,379.7]	707

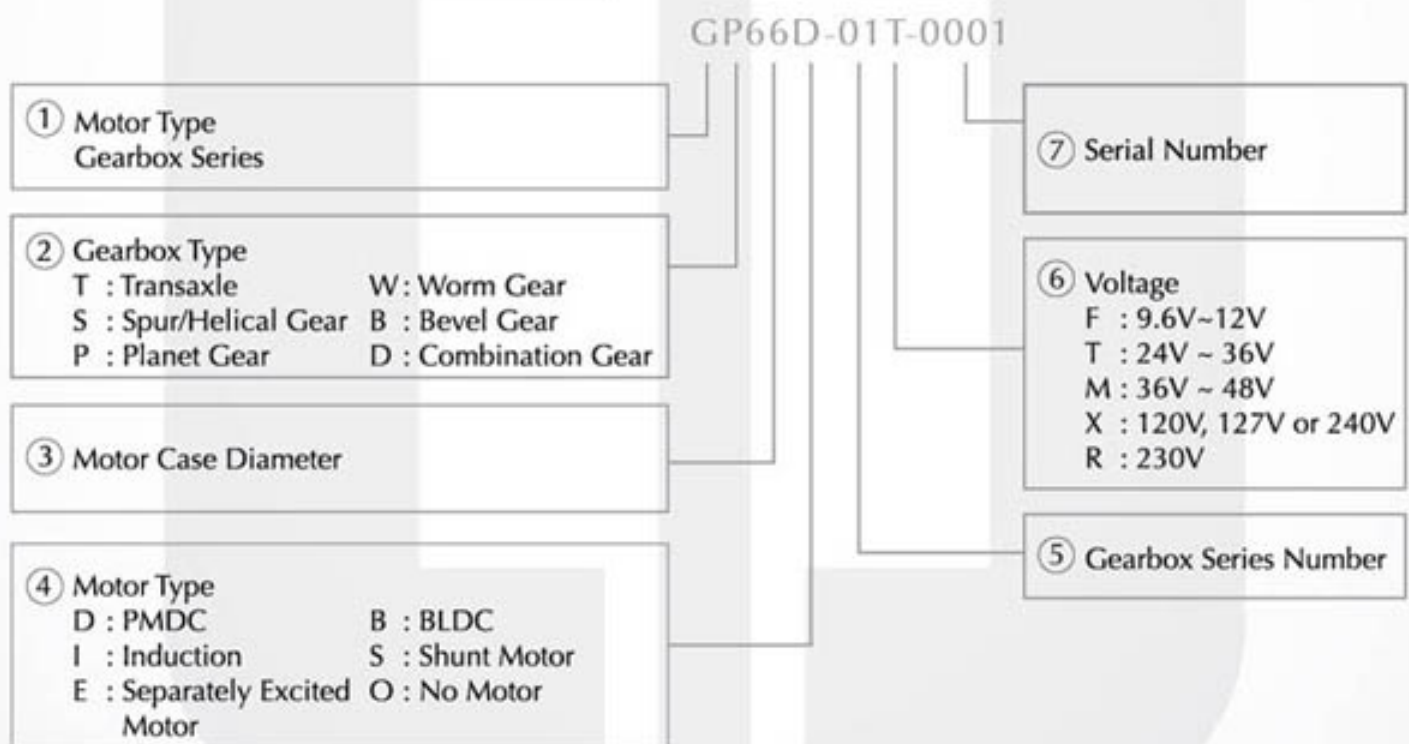
The information above is for reference only, detailed specification is subject to final confirmation

Hub Motor / Motor Wheels

Outstanding power performance mobilized driven unit for many applications involve with goods or human transportation can be applied in warehouse and hospital robotic autonomous system, floor care riding machines where it can meet rough and harsh environment conditions.

Mechanical Design:

- . Excel in energy efficient for longer working hrs.
- . Quiet in operation.
- . Tough wheel rubber for both slippery floor and rough surface.
- . Long lasting repetitive brake.



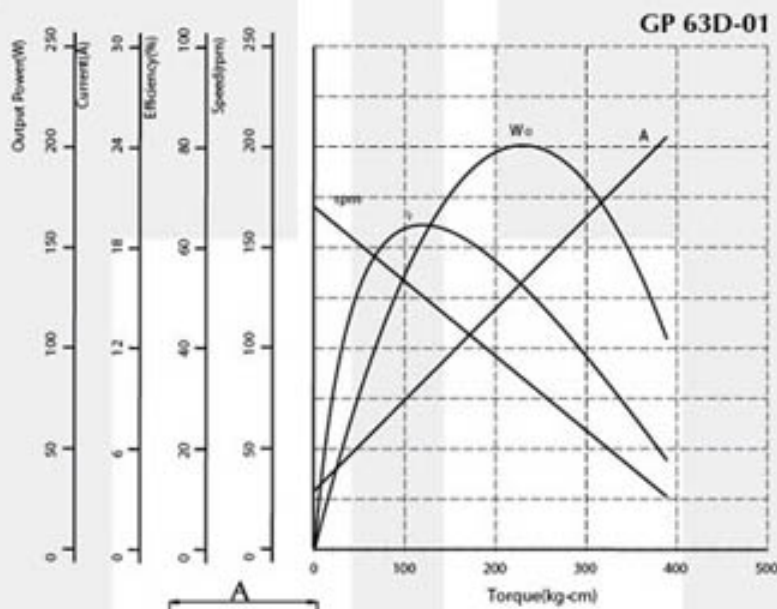
The information above is for reference only, detailed specification is subject to final confirmation



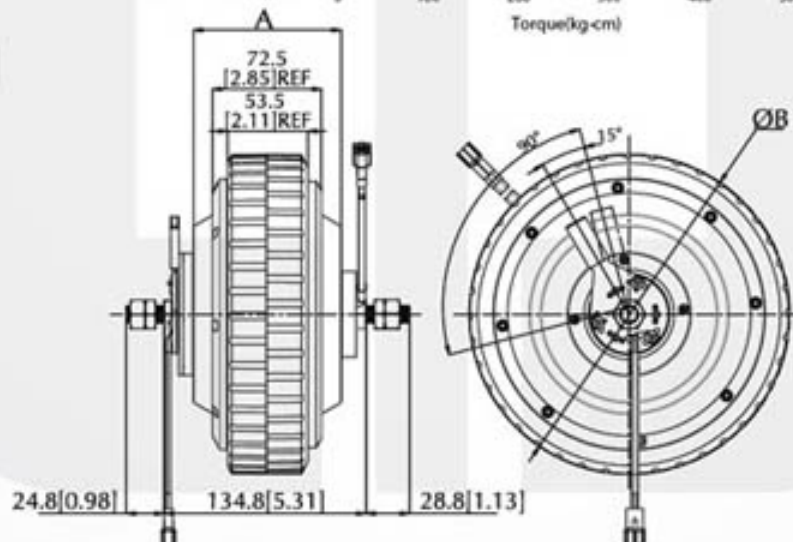
Hub Motor – GP63D-01 Series

Voltage : 24 - 48V DC
 Rated Speed : 120 - 150rpm
 Rated Output Power: 100 - 250W
 Gear Ratio : 18.9 : 1
 Rated Torque : 121.7kg-cm[105.5lb-in]
 Motor Diameter : Ø213mm[8.39inch]
 Typical Application : Scooter, Shopping Cart

Performance Curve



Dimension (mm[inch])



Performance (testing under room temperature)

Model	Dim A mm[inch]	Dim B mm[inch]	Gear Ratio	Rated Voltage (V DC)	No Load		At Maximum Efficiency				Max Power		
					Speed (rpm)	Current (A)	Torque (kg-cm[lb-in])	Speed (rpm)	Current (A)	Output (W)	Effic'y (%)	Torque (kg-cm[lb-in])	Current (A)
GP63D-01T-001	98[3.86]	213[8.385]	18.9:1	24	170	3.5	121.7[105.5]	125	10.1	157	65	234[202.92]	16.3

The information above is for reference only, detailed specification is subject to final confirmation

Email: sales@cclmotors.com Website: <http://www.cclmotors.com>
4/F, No. 6, On Lok Mun Street, On Lok Tsuen, Fanling, N.T., Hong Kong.

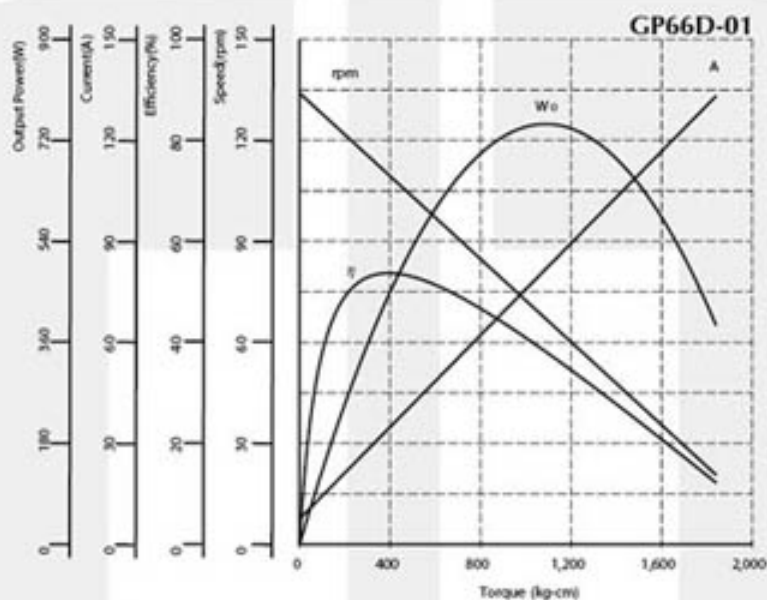
Tel: (852) 3125 0000 Fax: (852) 3125 0125



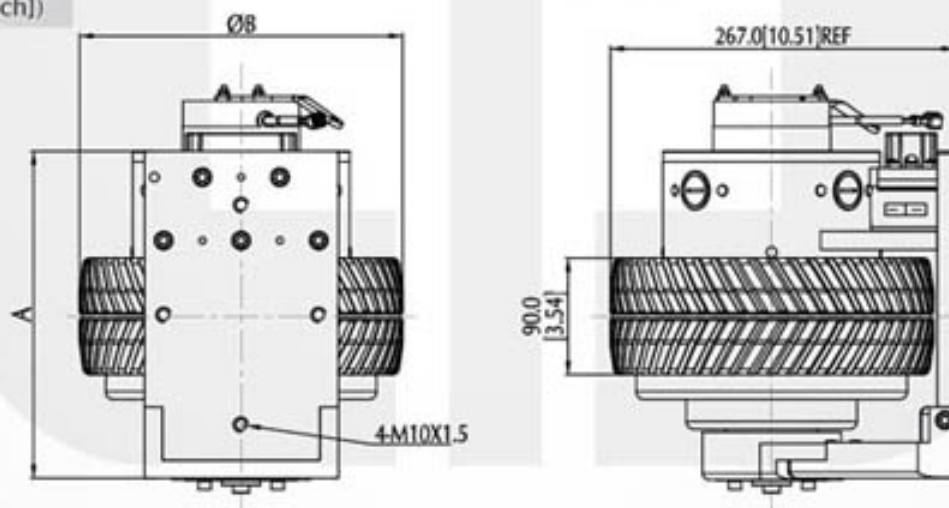
Hub Motor – GP66D-01 Series

Voltage : 24 - 48V DC
 Rated Speed : 120 - 140rpm
 Rated Output Power: 600 - 1,000W
 Gear Ratio : 18 : 1
 Rated Torque : 397.68kg-cm[345.17lb-in]
 Motor Diameter : Ø250mm[9.84inch]
 Typical Application : Scooter, Shopping Cart, Cleaning Cart, Sweeper

Performance Curve



Dimension (mm[inch])



Performance (testing under room temperature)

Model	Dim A mm[inch]	Dim B mm[inch]	Gear Ratio	Rated Voltage (V DC)	No Load		At Maximum Efficiency				Max Power		
					Speed (rpm)	Current (A)	Torque (kg-cm[lb-in])	Speed (rpm)	Current (A)	Output (W)	Effic'y (%)	Torque (kg-cm[lb-in])	Current (A)
GP66D-01T-0001	253.0[9.96]	250.0[9.84]	18:1	36	135	5.50	397.68[345.17]	110	19.50	449.0	64.0	2,220.91[1,927.66]	83.6
GP66D-01T-0002	253.0[9.96]	250.0[9.84]	18:1	24	134	7.60	397.68[345.17]	110	34.71	447.3	53.70	2,176.04[1,888.72]	155.96

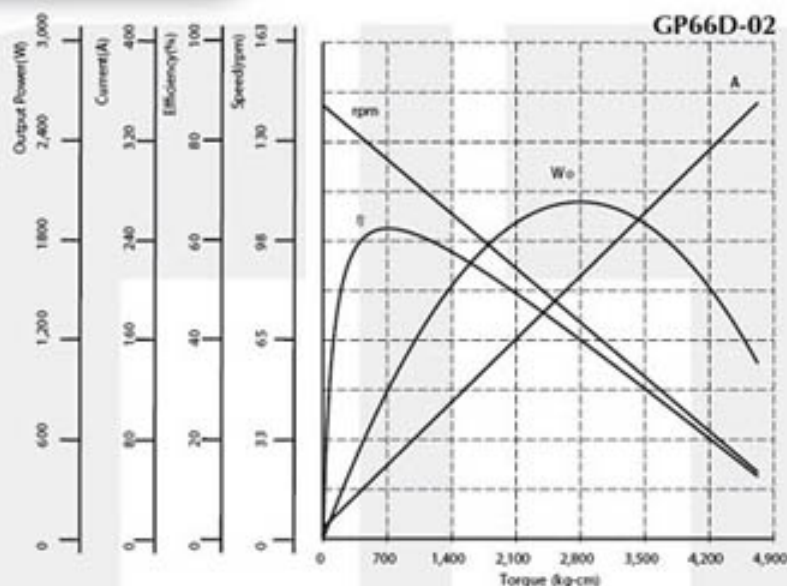
The information above is for reference only, detailed specification is subject to final confirmation



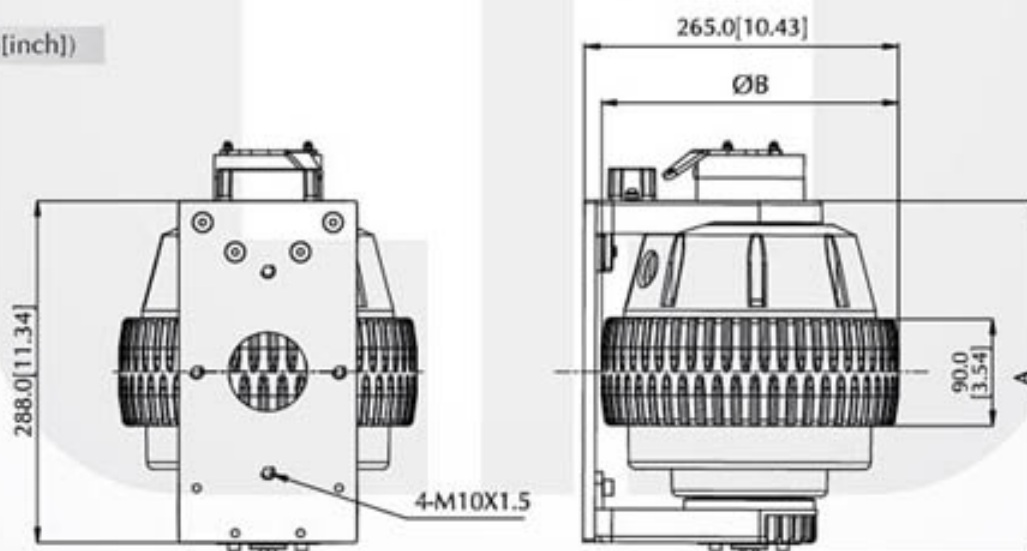
Hub Motor – GP66D-02 Series

Voltage : 24 - 48V DC
 Rated Speed : 110 - 150rpm
 Rated Output Power: 800 - 1,200W
 Gear Ratio : 16.7 : 1
 Rated Torque : 712.06kg-cm[618.04lb-in]
 Motor Diameter : Ø250mm[9.84inch]
 Typical Application : Scooter, Shopping Cart, Cleaning Cart, Sweeper

Performance Curve



Dimension (mm[inch])



Performance (testing under room temperature)

Model	Dim A mm[inch]	Dim B mm[inch]	Gear Ratio	Rated Voltage (V DC)	No Load		At Maximum Efficiency				Max Power		
					Speed (rpm)	Current (A)	Torque (kg-cm[lb-in])	Speed (rpm)	Current (A)	Output (W)	Eff'cy (%)	Torque (kg-cm[lb-in])	Current (A)
GP66D-02T-0001	298.8[11.76]	250[9.84]	16.7:1	24	142	8.73	712.06[618.04]	124	60.38	906.0	62.52	5,585.00 [4,847.56]	413.84

The information above is for reference only, detailed specification is subject to final confirmation

Email: sales@cclmotors.com Website: <http://www.cclmotors.com>
 4/F, No. 6, On Lok Mun Street, On Lok Tsuen, Fanling, N.T., Hong Kong.

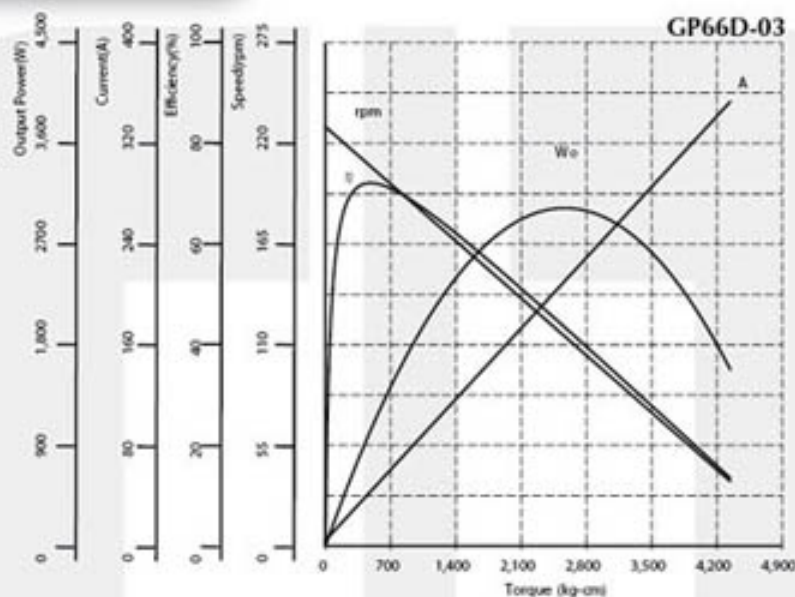
Tel: (852) 3125 0000 Fax: (852) 3125 0125



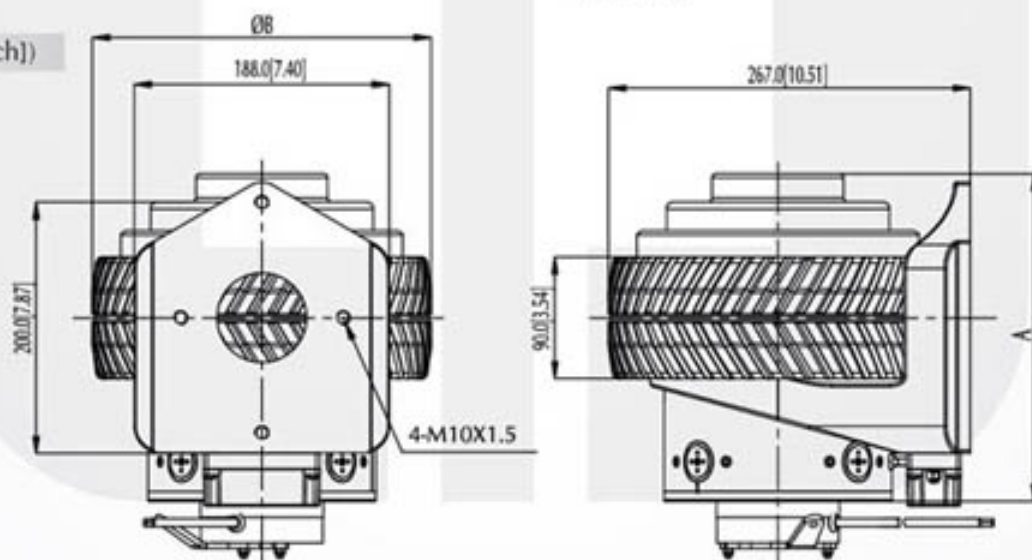
Hub Motor – GP66D-03 Series

Voltage : 24 - 48V DC
 Rated Speed : 110 - 230rpm
 Rated Output Power: 600 - 1,000W
 Gear Ratio : 14.4 : 1
 Rated Torque : 480.31-508.70kg-cm [416.89-441.53lb-in]
 Motor Diameter : Ø250mm[9.84inch]
 Typical Application : Scooter, Shopping Cart, Cleaning Cart, Sweeper

Performance Curve



Dimension (mm[inch])



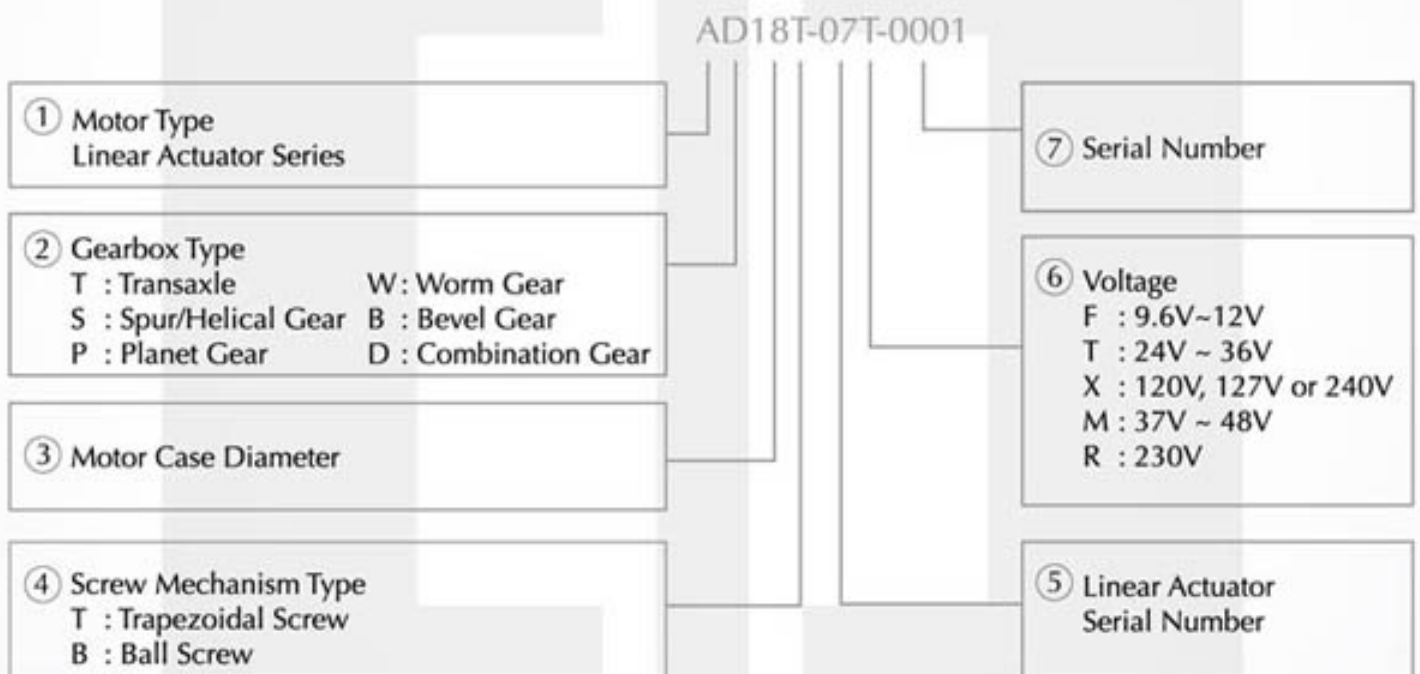
Performance (testing under room temperature)

Model	Dim A mm[inch]	Dim B mm[inch]	Gear Ratio	Rated Voltage (V DC)	No Load		At Maximum Efficiency				Max Power		
					Speed (rpm)	Current (A)	Torque (kg-cm/[lb-in])	Speed (rpm)	Current (A)	Output (W)	Effic'y (%)	Torque (kg-cm/[lb-in])	Current (A)
GP66D-03T-0001	241.7[9.52]	250[9.84]	14.4:1	33	229	4.50	480.31[416.89]	208	43.04	1,024.0	72.10	5,137.30[4,458.97]	416.70
GP66D-03T-0002	241.7[9.52]	250[9.84]	14.4:1	36	134	3.2	508.70[441.53]	115	21.65	600.0	78.30	3,521.00[3,056.09]	128.0

The information above is for reference only, detailed specification is subject to final confirmation

Linear Actuator

An electric linear actuator is a device to convert the rotational motion of a motor into linear movement – that is push or pull, which can be used to lift, adjust or tilt objects. The ability of the actuator adapt to specific needs make it be a well-functioning solution for a wide range of applications. Linear actuators from CCL offer high quality and long lifetime, which is the best choice for general purpose and industrial applications.



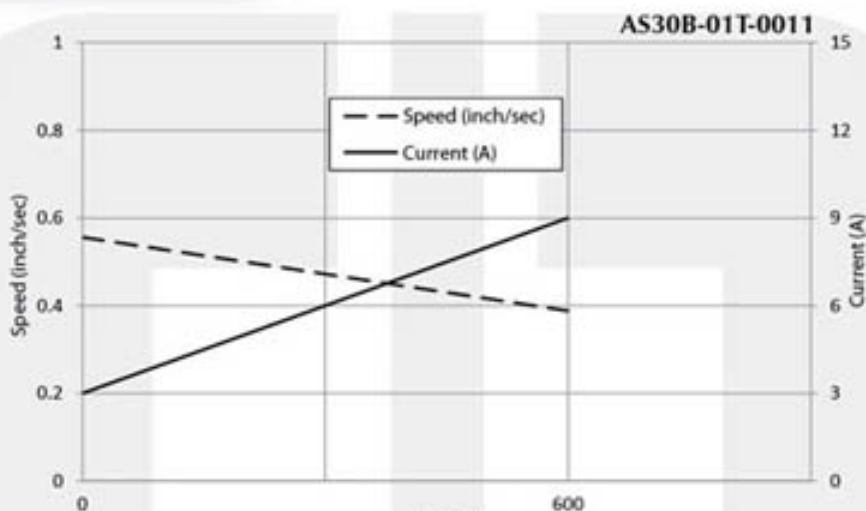
The information above is for reference only, detailed specification is subject to final confirmation



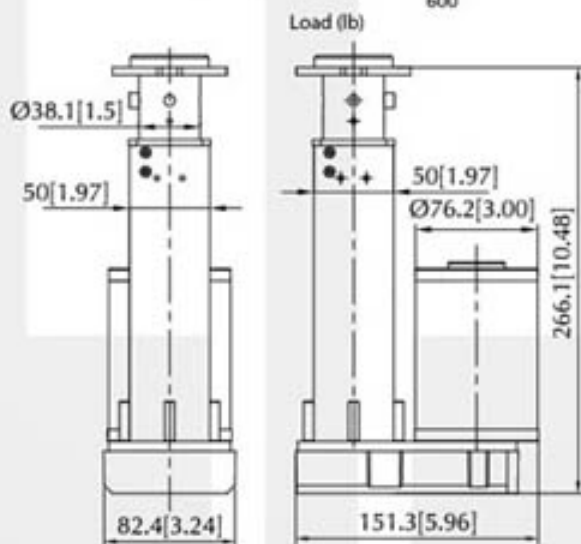
Linear Actuator - AS30B-01 Series

Voltage : 12 - 36V DC
 Rated Speed : 10 - 40mm/sec
 Stroke Length : 127mm[5inch]
 Loading Capability : 272.2kg[600lb]
 Insulation Class : A, B, H
 Motor Diameter : $\varnothing 76.2\text{mm}[3.0\text{inch}]$
 Typical Application : Power Seat Lift for Scooter & Power Chair, Electric Lift Chair, Power Seat Lift for RV.

Performance Curve



Dimension (mm[inch])



Performance (testing under room temperature)

Model	Nominal	No Load		Normal Operating Load			Max Load REF		
	Voltage (V DC)	Speed mm/sec [inch/sec]	Current (A)	Load (kg[lb])	Speed mm/sec [inch/sec]	Current (A)	Load (kg[lb])	Speed mm/sec [inch/sec]	Current (A)
AS30B-01T-0003	24	17.4 [0.685]	4.2	90.7 [200]	16.1 [0.633]	7.0	272.2 [600]	13.4 [0.529]	12.6
AS30B-01T-0006	24	12.2 [0.481]	4.0	136.1 [300]	9.9 [0.388]	6.5	272.2 [600]	7.5 [0.295]	9.0
AS30B-01T-0009	24	19.5 [0.770]	4.2	181.4 [400]	16.9 [0.667]	8.0	272.2 [600]	15.5 [0.610]	10.0
AS30B-01T-0011	24	14.1 [0.556]	3.0	90.7 [200]	12.7 [0.500]	5.0	272.2 [600]	9.9 [0.388]	9.0
AS30B-01T-0022	24	12.7 [0.500]	4.7	163.3 [360]	11.3 [0.444]	6.6	272.2 [600]	10.2 [0.400]	8.0

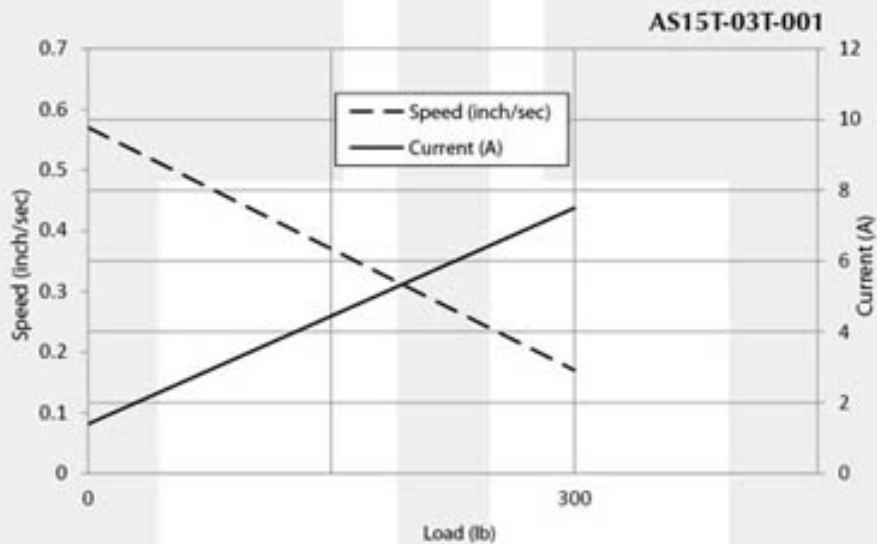
The information above is for reference only, detailed specification is subject to final confirmation



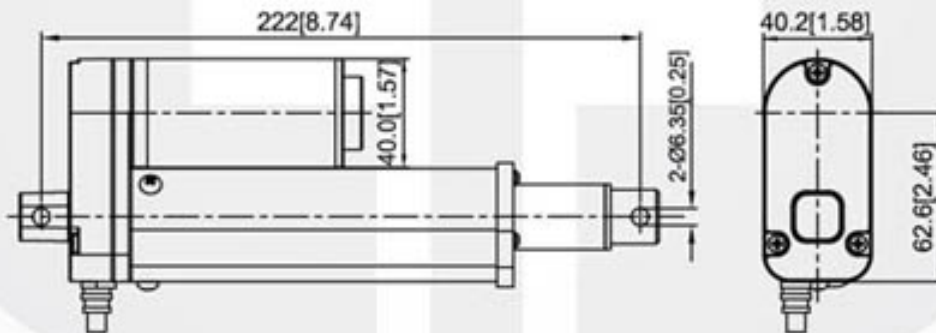
Linear Actuator – AS15T-03 Series

Voltage	: 24V DC
Rated Speed	: 4 - 15mm/sec
Stroke Length	: 45mm[1.77inch]
Loading Capability	: 136kg[300lb]
Insulation Class	: A, B, H
Motor Diameter	: Ø40mm[1.57inch]
Typical Application	: Floor Scrubber, Electric Lift Chair, Hospital Bed

Performance Curve



Dimension (mm[inch])



Performance (testing under room temperature)

Model	Nominal	No Load		Normal Operating Load			Max Load REF		
	Voltage (V DC)	Speed mm/sec [inch/sec]	Current (A)	Load (kg[lb])	Speed mm/sec [inch/sec]	Current (A)	Load (kg[lb])	Speed mm/sec [inch/sec]	Current (A)
AS15T-03T-0001	24	14.5 [0.57]	1.4	50 [110]	13.0 [0.51]	2.5	136 [300]	4.3 [0.17]	7.5

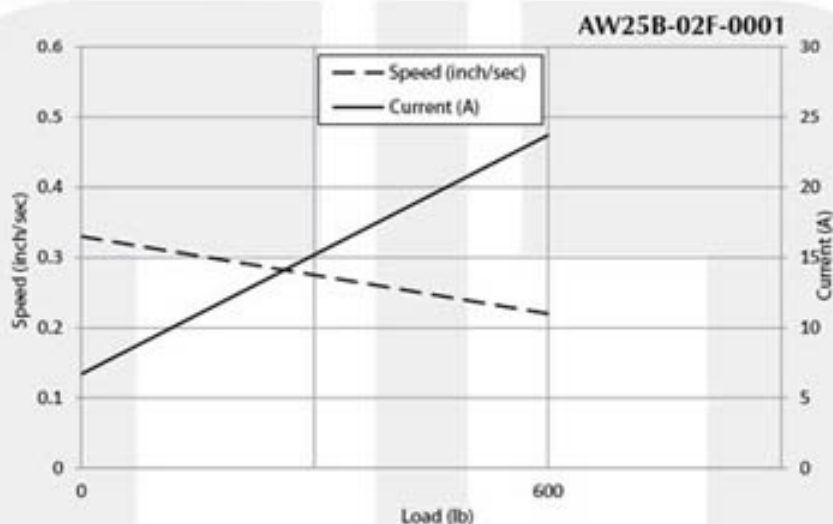
The information above is for reference only, detailed specification is subject to final confirmation



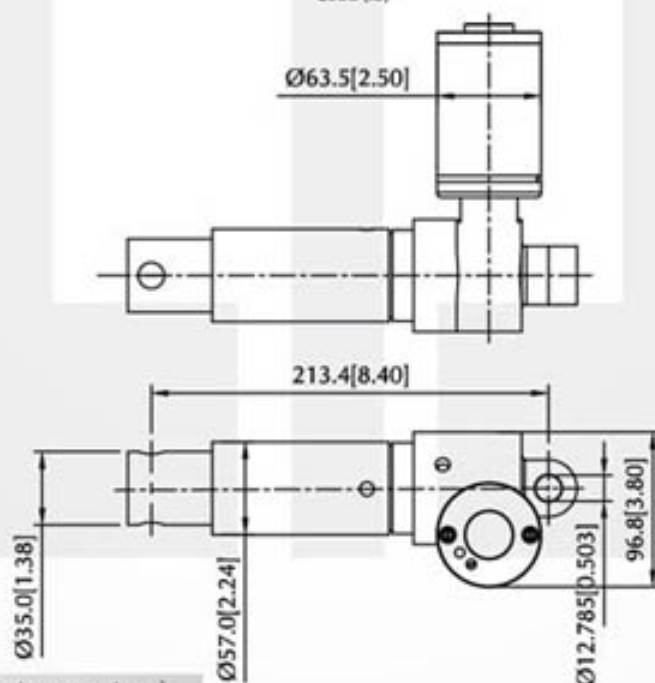
Linear Actuator - AW25B-02 Series

Voltage : 12 - 36V DC
 Rated Speed : 3 - 9mm/sec
 Stroke Length : 92mm[3.62inch]
 Loading Capability : 272.2kg[600lb]
 Insulation Class : A, B, H
 Motor Diameter : $\text{O}63.5\text{mm}[2.5\text{inch}]$
 Typical Application : Marine Application, Electric Lift Chair, Power Seat Lift for RV.

Performance Curve



Dimension (mm[inch])



Performance (testing under room temperature)

Model	Nominal	No Load		Normal Operating Load			Max Load REF		
	Voltage (V DC)	Speed mm/sec [inch/sec]	Current (A)	Load (kg[lb])	Speed mm/sec [inch/sec]	Current (A)	Load (kg[lb])	Speed mm/sec [inch/sec]	Current (A)
AW25B-02F-0001	12	8.38 [0.33]	6.7	181.4 [400]	6.60 [0.26]	18.0	272.2 [600]	5.59 [0.22]	23.7

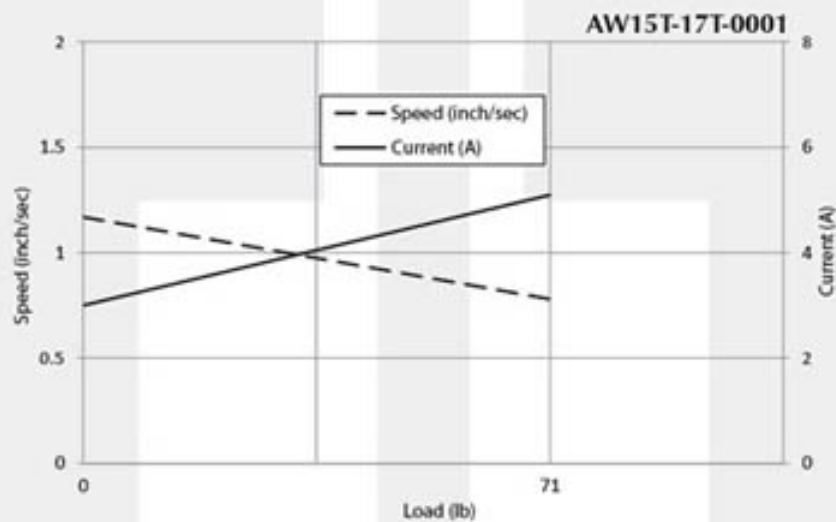
The information above is for reference only, detailed specification is subject to final confirmation

Linear Actuator - AW15T-17 Series

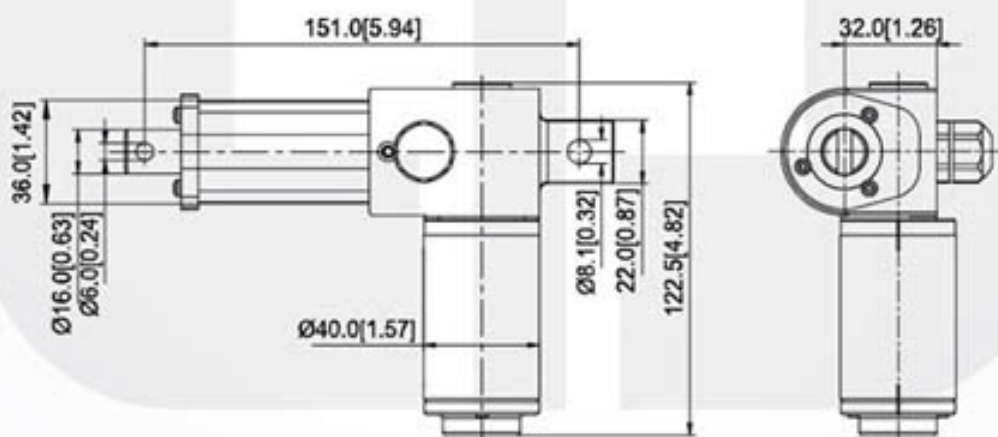


Voltage : 12 - 36V DC
 Rated Speed : 10 - 34mm/sec
 Stroke Length : 85mm[3.35inch]
 Loading Capability : 32.2kg[71lb]
 Insulation Class : A, B, H
 Motor Diameter : Ø40mm[1.57inch]
 Typical Application : Floor Scrubber

Performance Curve



Dimension (mm[inch])



Performance (testing under room temperature)

Model	Nominal	No Load		Normal Operating Load			Max Load REF		
	Voltage (V DC)	Speed mm/sec [inch/sec]	Current (A)	Load (kg[lb])	Speed mm/sec [inch/sec]	Current (A)	Load (kg[lb])	Speed mm/sec [inch/sec]	Current (A)
AW15T-17T-0001	24	35 [1.38]	2.0	5.0 [11.02]	27.1 [1.067]	3.0	32.21 [71]	19.8 [0.78]	5.1

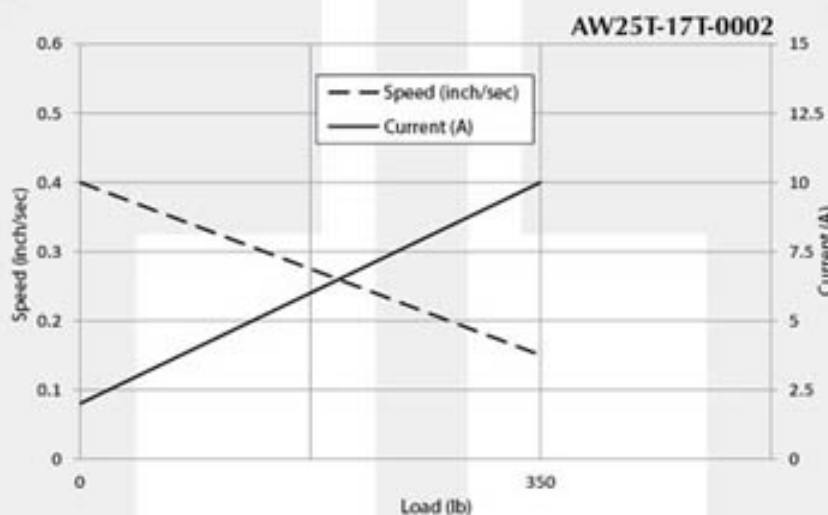
The information above is for reference only, detailed specification is subject to final confirmation



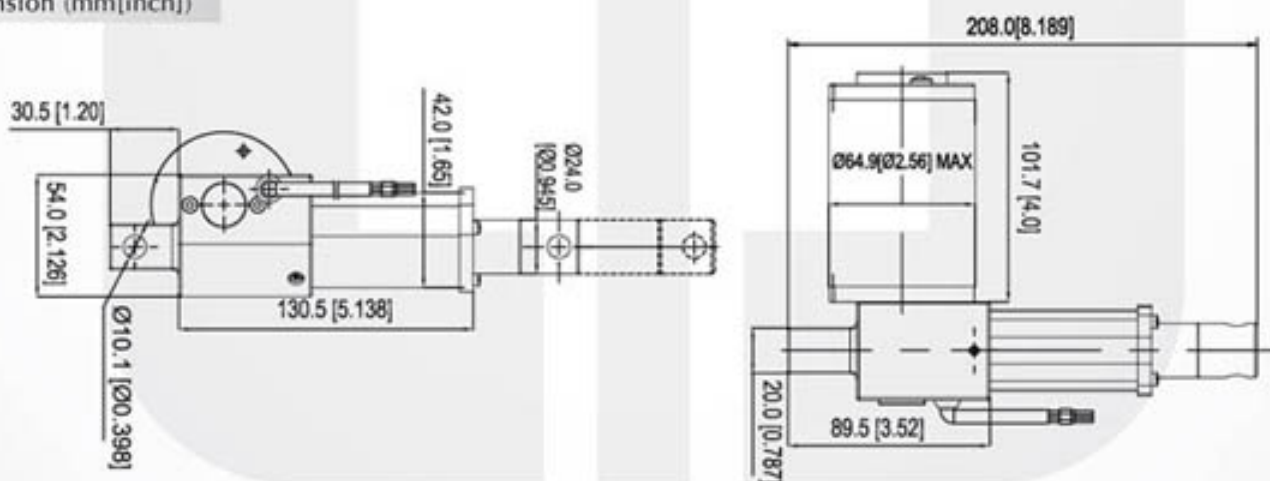
Linear Actuator - AW25T-17 Series

Voltage : 12 - 36V DC
 Rated Speed : 5 - 20mm/sec
 Stroke Length : 54mm[2.13inch]
 Loading Capability : 167.8kg[370lb]
 Insulation Class : A, B, H
 Motor Diameter : Ø64.9mm[2.56inch]
 Typical Application : Floor Scrubber

Performance Curve



Dimension (mm[inch])



Performance (testing under room temperature)

Model	Nominal	No Load		Normal Operating Load			Max Load REF		
	Voltage (V DC)	Speed mm/sec [inch/sec]	Current (A)	Load (kg[lb])	Speed mm/sec [inch/sec]	Current (A)	Load (kg[lb])	Speed mm/sec [inch/sec]	Current (A)
AW25T-17T-0002	24	8.48 [0.334]	3.0	49.9 [110]	7.62 [0.30]	8.0	145.0 [324]	3.89 [0.153]	10.0
AW25T-17T-0002	24	10.16 [0.40]	2.0	49.9 [110]	8.20 [0.323]	5.0	158.7 [350]	3.81 [0.150]	10.0
AW25T-17T-0003	24	7.62 [0.30]	1.7	49.9 [110]	7.11 [0.28]	3.85	167.8 [370]	3.15 [0.124]	7.0

The information above is for reference only, detailed specification is subject to final confirmation



Website : www.cclmotors.com E-mail : sales@cclmotors.com

HEAD OFFICE

4/F, No.6, On Lok Mun Street,
On Lok Tsuen, Fanling, N.T.,
Hong Kong
Tel : (852) 3125 0000
Fax : (852) 3125 0125

CHINA FACTORY-FENGCHENG

No.1, Jie He Road, Hi-Tech Park,
Fengcheng, Jiangxi, China
Postal Code: 331100
Tel : (86) 795 2083388
Fax : (86) 795 2089888

CHINA FACTORY-SHENZHEN

Dabo Industrial Park, Huanzhen Nan Road,
Bogang Village, Shajing Town, Baoan District,
Shenzhen, Guangdong, China
Postal Code: 518104
Tel : (86) 755 2756 5000 Fax : (86) 755 2756 5111

NORTH AMERICA OFFICE

10 Shawnee Drive,
Suite B-6, Watchung,
New Jersey 07069, USA
Tel : (1) 908-834-8652
Fax : (1) 908-834-8656