

DC CONTACTOR RELAY



for Telecommunications,
Power Distribution Systems,
Railroad Applications, Rectifier

DC CONTACTOR RELAY



☐☐ 목 차

1. 제품일람표

| | |
|-----------------|---|
| Selection Guide | 4 |
|-----------------|---|

2. 시리즈별 소개



| | |
|------------------|----|
| ■ CTS125 Series | 10 |
| ■ CTT200 Series | 12 |
| ■ CTT400 Series | 14 |
| ■ CTS400 Series | 16 |
| ■ CTS400B Series | 18 |
| ■ CTS400C Series | 20 |
| ■ CTS800 Series | 22 |
| ■ CTS1200 Series | 24 |
| ■ CTA82 Series | 26 |
| ■ CTA822 Series | 26 |
| ■ CTD88 Series | 28 |
| ■ CTD150 Series | 31 |
| ■ STB080 Series | 34 |
| ■ CTB50 Series | 36 |
| ■ STC160 Series | 38 |
| ■ YL2 | 39 |
| ■ EPS 375 | 41 |



❖ 제품 열람표

DC CONTACTOR RELAY SELECTION GUIDE


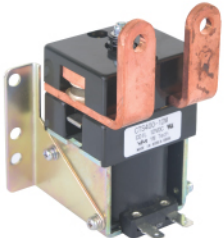
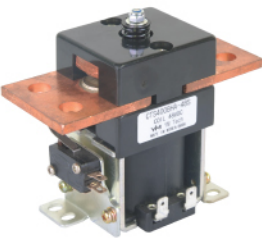

제품 열람표

| Specifications | | Series | CTS125 | | | | CTT200 | |
|------------------------------------|---|-------------------------------|---|---------|---------|-------------------------------|--|--------|
| | | Figure |  | | | |  | |
| | | Type | CTS60 | CTS80 | CTS100 | CTS125 | CTT200 | CTT200 |
| Usage | | Intermittently & Continuously | | | | Intermittently & Continuously | | |
| Description | | Single Pole Single Throw | | | | Single Pole Single Throw | | |
| Contact ratings | Max. switching current | 60A | 80A | 100A | 125A | 200A | 150A | |
| | Overload currents(resistive load) UL508 | 90A | 120A | 150A | 187A | 300A | DC MOTOR | |
| | 5mS Time Constant | 600A | 800A | 800A | 800A | 1000A | 1000A | |
| | Voltage drop across contacts per 100A | 40mV Max. | | | | 40mV Max. | | |
| | Dielectric | Coil to chassis | 1500VAC 1Minute | | | | 1500VAC 1Minute | |
| | | Coil to contacts | 4000VAC 1Minute | | | | 4000VAC 1Minute | |
| | | Contact to chassis | 1500VAC 1Minute | | | | 1500VAC 1Minute | |
| Ambient temperature | | -40℃ ~ 65℃ | | | | -40℃ ~ 65℃ | | |
| Operating Time(at nominal voltage) | | 20ms | | | | 20ms | | |
| Release time(at nominal voltage) | | 10ms | | | | 10ms | | |
| Coil ratings | Ambient temperature | -40℃ ~ 60℃ | | | | -40℃ ~ 60℃ | | |
| | Rated voltage | DC6 to 110V | | | | DC6 to 110V | | |
| | Pull-in voltage (Nominal vptage) | 70%max. | | | | 70%max. | | |
| | Drop-out voltage (Nominal voltage) | 10%min. | | | | 10%min. | | |
| Coil power(watts) | | 5 to 8 | | | | 10 to 15 | | |
| Life expectancy | Mechanical (min) | 1,000,000 | | | | 1,000,000 | | |
| | Electrical (min) | 200,000 | | | | 200,000 | | |
| Aux. switch | 5(A)24VDC, 2(A)48VDC, 0.5(A)240VDC (resistive load) | ○ | | | | ○ | | |
| Arc magnetic blowouts | | ○ | | | | ○ | | |
| With diode suppression | | ○ | | | | ○ | | |
| U.L. File No. | | - | E223128 | E223128 | E223128 | E223129 | E223129 | |
| Weigth(g) | | 355 | | | | 760 | | |

❖ 특징 (Features)

- A permanent magnet prevents are effectively, our products can enables change 250V DC.
- Compact, easy-to-use structure and easy installation.



| CTT400 | | | | | CTS400 | | | CTS400B | | | CTS400C | | | |
|--|--------|---------|----------------|---------|--|--------|--------|--|---------|---------|--|---------|---------|------|
|  | | | | |  | | |  | | |  | | | |
| CTT300 | CTT350 | CTT400 | CTT400 | CTT403 | CTS200 | CTS300 | CTS400 | CTS200B | CTS300B | CTS400B | CTS200C | CTS300C | CTS400C | |
| Continuously | | | Intermittently | | Continuously & Interm- | | | Continuously & Interm- | | | Continuously & Interm- | | | |
| Single Pole Single Throw | | | | | Single Pole Single Throw | | | Single Pole Single Throw | | | Single Pole Single Throw | | | |
| 300A | 350A | 400A | 250A | 250A*3 | 200A | 300A | 400A | 200A | 300A | 400A | 200A | 300A | 400A | |
| 450A | 525A | 600A | DC MOTOR | | 300A | 450A | 600A | 300A | 450A | 600A | 300A | 450A | 600A | |
| 1000A | 1200A | 1500A | 1500A | 1500A*3 | 800A | 1000A | 1500A | 800A | 1000A | 1500A | 800A | 1000A | 1500A | |
| 40mV Max. | | | | | 40mV Max. | | | 40mV Max. | | | 40mV Max. | | | |
| 1500VAC 1Minute | | | | | 1500VAC 1Minute | | | 1500VAC 1Minute | | | 1500VAC 1Minute | | | |
| 4000VAC 1Minute | | | | | 4000VAC 1Minute | | | 4000VAC 1Minute | | | 4000VAC 1Minute | | | |
| 1500VAC 1Minute | | | | | 1500VAC 1Minute | | | 1500VAC 1Minute | | | 1500VAC 1Minute | | | |
| -40℃ ~ 65℃ | | | | | -40℃ ~ 65℃ | | | -40℃ ~ 65℃ | | | -40℃ ~ 65℃ | | | |
| 40ms | | | | | 30ms | | | 30ms | 40ms | 30ms | | | 30ms | 40ms |
| 20ms | | | | | 15ms | | | 18ms | 20ms | 15ms | | | 18ms | 20ms |
| -40℃ ~ 60℃ | | | | | -40℃ ~ 60℃ | | | -40℃ ~ 60℃ | | | -40℃ ~ 60℃ | | | |
| DC6 to 110V | | | | | DC6 to 110V | | | DC6 to 110V | | | DC6 to 110V | | | |
| 70%max. | | | | | 70%max. | | | 70%max. | | | 70%max. | | | |
| 10%min. | | | | | 10%min. | | | 10%min. | | | 10%min. | | | |
| 13 to 25 | | | 30 to 60 | | 12 to 18 | | | 12 to 18 | | | 12 to 18 | | | |
| 1,000,000 | | | | | 1,000,000 | | | 1,000,000 | | | 1,000,000 | | | |
| 200,000 | | | | | 200,000 | | | 200,000 | | | 200,000 | | | |
| ○ | | | | | ○ | | | ○ | | | ○ | | | |
| ○ | | | | | ○ | | | ○ | | | ○ | | | |
| ○ | | | | | ○ | | | ○ | | | ○ | | | |
| - | - | E223128 | - | E223128 | E223129 | - | - | E223129 | - | - | E223129 | - | - | |
| 1350 | | | | 5980 | 990 | | | 995 | | | 980 | | | |

※ 용도 (Usage)

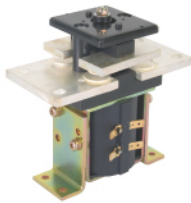
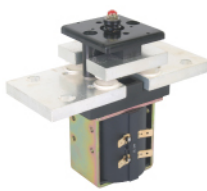


- Power distribution system
- Railroad application
- Rectifier
- Pallet lifter
- Unmanned vehicle
- Satellite station system
- SMPS
- DC motor
- EV Car
- Golf Car



☼ 제품 열람표

DC CONTACTOR RELAY SELECTION GUIDE

제품 열람표

| Series | | CTS800 | | CTS1200 | | CTA82 | | CTA822 | | |
|------------------------|---|--|-----------------|---|-----------------|--|-----------------|--|--|--|
| Specifications | Figure |  | |  | |  | |  | | |
| | Type | CTS600 | CTS800 | CTS1000 | CTS1200 | CTA82 | | CTA822 | | |
| Usage | | Continuously | | Continuously | | Intermittently | | Intermittently | | |
| Description | | Single Pole Single Throw | | Single Pole Single Throw | | Double Pole On/OFF | | Paired Double pole On/Off | | |
| Contact ratings | Max. switching current | 600A | 800A | 1000A | 1200A | 60A | | 60A | | |
| | Overload currents(resistive load) UL508 | 900A | 1200A | 1500A | 1800A | DC MOTOR | | DC MOTOR | | |
| | 5mS Time Constant | | | | | 500A | | 500A | | |
| | Voltage drop across contacts per 100A | 15mV Max. | | 15mV Max. | | 50mV Max. | | | | |
| | Dielectric | Coil to chassis | 1500VAC 1Minute | | 1500VAC 1Minute | | 1500VAC 1Minute | | | |
| | | Coil to contacts | 4000VAC 1Minute | | 4000VAC 1Minute | | 4000VAC 1Minute | | | |
| | | Contact to chassis | 1500VAC 1Minute | | 1500VAC 1Minute | | 1500VAC 1Minute | | | |
| | Ambient temperature | | -40°C ~ 65°C | | -40°C ~ 65°C | | -40°C ~ 65°C | | | |
| | Operating Time(at nominal voltage) | | 70ms | | 80ms | | 20ms | | | |
| | Release time(at nominal voltage) | | 10ms | | 15ms | | 15ms | | | |
| Coil ratings | Ambient temperature | | -40°C ~ 60°C | | -40°C ~ 60°C | | -40°C ~ 60°C | | | |
| | Rated voltage | | DC6 to 110V | | DC6 to 110V | | DC6 to 110V | | | |
| | Pull-in voltage (Nominal vpltage) | | 70%max. | | 70%max. | | 70%max. | | | |
| | Drop-out voltage (Nominal voltage) | | 10%min. | | 10%min. | | 10%min. | | | |
| | Coil power(watts) | | 13 to 25 | | 25 to 35 | | 15 to 20 | | | |
| Life expectancy | Mechanical (min) | | 1,000,000 | | 1,000,000 | | 1,000,000 | | | |
| | Electrical (min) | | 100,000 | | 100,000 | | 200,000 | | | |
| Aux. switch | 5(A)24VDC, 2(A)48VDC, 0.5(A)240VDC (resistive load) | | ○ | | ○ | | × | | | |
| Arc magnetic blowouts | | ○ | | ○ | | × | | | | |
| With diode suppression | | ○ | | ○ | | ○ | | | | |
| U.L. File No. | | - | | - | | - | | | | |
| Weigth(g) | | 1460 | 1620 | 2080 | 2080 | 450 | | 900 | | |

☼ 특징 (Features)

- A permanent magnet prevents are effectively, our products can enables change 250V DC.
- Compact, easy-to-use structure and easy installation.



| CTD88 | | | CTD150 | | |
|--|-------|-------------------|---|--------|-------------------|
|  | | |  | | |
| CTD88 | CTU88 | CTW88 | CTD150 | CTU150 | CTW150 |
| Intermittently | | | Intermittently | | |
| Monoblock Single pole Double Throw | | Paired Changeover | Monoblock Single pole Double Throw | | Paired Changeover |
| 100A | | | 150A | | |
| DC MOTOR | | | DC MOTOR | | |
| 600A | | | 1000A | | |
| 15mV Max. | | | 15mV Max. | | |
| 1500VAC 1Minute | | | 1500VAC 1Minute | | |
| 4000VAC 1Minute | | | 4000VAC 1Minute | | |
| 1500VAC 1Minute | | | 1500VAC 1Minute | | |
| -40℃ ~ 65℃ | | | -40℃ ~ 65℃ | | |
| 20ms | | | 30ms | | |
| 15ms | | | 15ms | | |
| -40℃ ~ 60℃ | | | -40℃ ~ 60℃ | | |
| DC6 to 110V | | | DC6 to 110V | | |
| 70%max. | | | 70%max. | | |
| 10%min. | | | 10%min. | | |
| 15 to 20 | | | 30 to 40 | | |
| 5,000,000 | | | 5,000,000 | | |
| 200,000 | | | 200,000 | | |
| ○ | | | ○ | | |
| ○ | | | ○ | | |
| ○ | | | ○ | | |
| - | - | - | - | - | - |
| 870 | 890 | 880 | 1600 | 1610 | 1615 |

☞ 용도 (Usage)




- Power distribution system
- Railroad application
- Rectifier
- Pallet lifter
- Unmanned vehicle
- Satellite station system
- SMPS
- DC motor
- EV Car
- Golf Car



❖ 제품 열람표

DC CONTACTOR RELAY SELECTION GUIDE



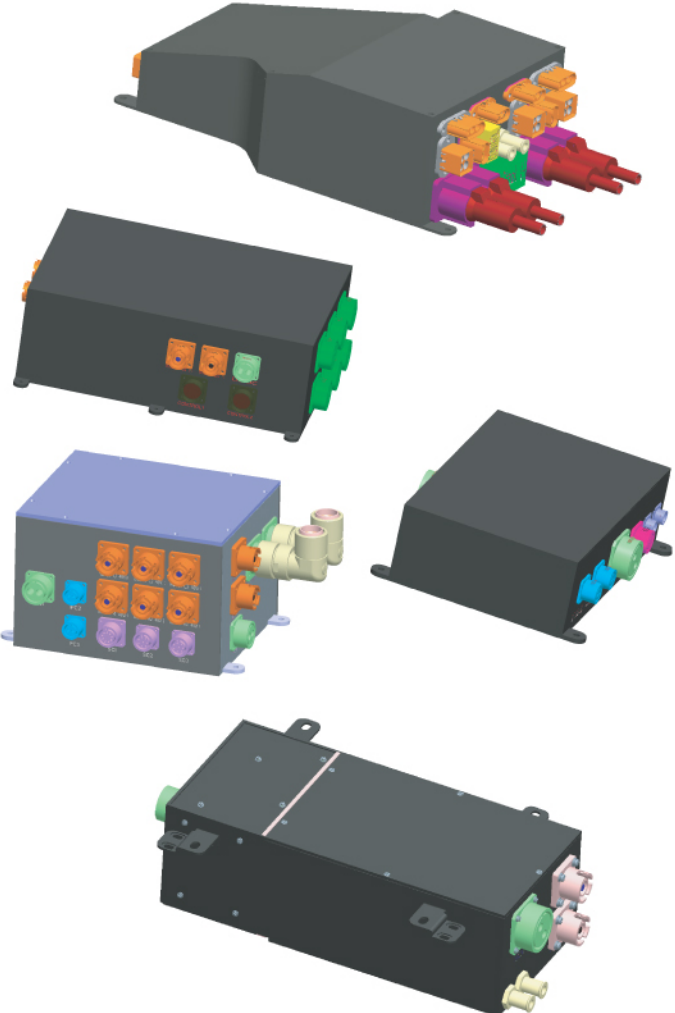
제품 열람표

| Series | | STB080 | CTB050 | STC160 | |
|------------------------------------|---|--|--|--|-----------------|
| Specifications | Figure |  |  |  | |
| | Type | STB80 | CTB50 | STC160 | |
| Usage | | Continuously | Continuously | Intermittently | |
| Description | | Normally Closed(1b) | Double Pole Double Throw(2a2b) | Single Pole Changeover | |
| Contact ratings | Max. switching current | 60A | 50A | 160A | |
| | Overload currents(resistive load) UL508 | 90A | 75A | DC MOTOR | |
| | 5mS Time Constant | 500A | 400A | 900A | |
| | Voltage drop across contacts per 100A | 50mV Max.(60A) | 50mV Max.(50A) | 40mV Max. | |
| | Dielectric | Coil to chassis | 1500VAC 1Minute | 1500VAC 1Minute | 1500VAC 1Minute |
| | | Coil to contacts | 4000VAC 1Minute | 4000VAC 1Minute | 4000VAC 1Minute |
| | | Contact to chassis | 1500VAC 1Minute | 1500VAC 1Minute | 1500VAC 1Minute |
| | Ambient temperature | -40℃ ~ 65℃ | -40℃ ~ 65℃ | -40℃ ~ 65℃ | |
| Operating Time(at nominal voltage) | 20ms | 20ms | 30ms | | |
| Release time(at nominal voltage) | 20ms | 10ms | 15ms | | |
| Coil ratings | Ambient temperature | -40℃ ~ 60℃ | -40℃ ~ 60℃ | -40℃ ~ 60℃ | |
| | Rated voltage | DC6 to 110V | DC6 to 110V | DC6 to 110V | |
| | Pull-in voltage (Nominal vplate) | 70%max. | 70%max. | 70%max. | |
| | Drop-out voltage (Nominal voltage) | 10%min. | 5%min. | 10%min. | |
| | Coil power(watts) | 13 to 16 | 6 to 8 | 12 to 18 | |
| Life expectancy | Mechanical (min) | 1,000,000 | 1,000,000 | 1,000,000 | |
| | Electrical (min) | 100,000 | 100,000 | 200,000 | |
| Aux. switch | 5(A)24VDC, 2(A)48VDC, 0.5(A)240VDC (resistive load) | ○ | × | ○ | |
| | Arc magnetic blowouts | ○ | × | × | |
| | With diode suppression | ○ | ○ | ○ | |
| U.L. File No. | | - | - | - | |
| Weigh(g) | | 300 | 420 | 950 | |

❖ 특징 (Features)

- A permanent magnet prevents are effectively, our products can enables change 250V DC.
- Compact, easy-to-use structure and easy installation.



| EPS375 | YL2 | DC Hi- Voltage Powere Distribution Unit |
|---|--|---|
|  |  | <p data-bbox="667 801 1345 835">Hydrogen EV Car, Hybrid Car, Fire Engine, Hybrid Personal Carrier</p>  |
| <p data-bbox="124 1099 188 1122">EPS375</p> <p data-bbox="100 1128 209 1151">Continuoudly</p> <p data-bbox="60 1158 248 1180">Single Pole Single Throw</p> <p data-bbox="132 1187 177 1209">250A</p> <p data-bbox="132 1216 177 1238">375</p> <p data-bbox="124 1245 185 1267">2500A</p> <p data-bbox="124 1274 201 1296">15mV Max.</p> <p data-bbox="84 1303 225 1326">1500VAC 1Minute</p> <p data-bbox="84 1332 225 1355">4000VAC 1Minute</p> <p data-bbox="84 1361 225 1384">1500VAC 1Minute</p> <p data-bbox="108 1391 217 1413">-40℃ ~ 65℃</p> | <p data-bbox="467 1099 499 1122">YL2</p> <p data-bbox="427 1128 536 1151">Continuoudly</p> <p data-bbox="387 1158 576 1180">Single Pole (1a or 1b)</p> <p data-bbox="467 1187 496 1209">13A</p> <p data-bbox="467 1216 496 1238">19.5</p> <p data-bbox="459 1245 504 1267">65A</p> <p data-bbox="459 1274 536 1296">5mV Max.(10A)</p> <p data-bbox="403 1303 544 1326">1500VAC 1Minute</p> <p data-bbox="403 1332 544 1355">4000VAC 1Minute</p> <p data-bbox="403 1361 544 1384">1500VAC 1Minute</p> <p data-bbox="427 1391 536 1413">-40℃ ~ 65℃</p> | |
| <p data-bbox="4 1424 280 1608">EMERGENCY BATTERY DISCONNECTION SWITCHES</p> | <p data-bbox="451 1424 480 1447">20ms</p> <p data-bbox="451 1453 480 1476">25ms</p> <p data-bbox="427 1482 536 1505">-25℃ ~ 55℃</p> <p data-bbox="435 1512 528 1534">DC6 to 110V</p> <p data-bbox="451 1541 512 1563">80%max.</p> <p data-bbox="451 1570 512 1592">10%min.</p> <p data-bbox="467 1599 496 1621">0.9</p> | |
| <p data-bbox="116 1626 201 1648">1,000,000</p> <p data-bbox="124 1664 193 1686">200,000</p> | <p data-bbox="443 1626 520 1648">1,000,000</p> <p data-bbox="451 1664 512 1686">200,000</p> | |
| <p data-bbox="156 1715 161 1738">○</p> | <p data-bbox="475 1715 480 1738">×</p> | |
| <p data-bbox="156 1771 161 1794">○</p> | <p data-bbox="475 1771 480 1794">×</p> | |
| <p data-bbox="156 1827 161 1850">○</p> | <p data-bbox="475 1827 480 1850">○</p> | |
| <p data-bbox="156 1883 161 1906">-</p> <p data-bbox="140 1917 177 1939">425</p> | <p data-bbox="475 1883 480 1906">-</p> <p data-bbox="475 1917 496 1939">32</p> | |

용도 (Usage)

- Power distribution system
- Unmaned vehicle
- EV Car
- Railroad application
- Satellite station system
- Golf Car
- Rectifier
- SMPS
- Networks
- Pallet lifter
- DC motor



CTS125 Series

CTS060, 080, 100, 125



CTS125 Series

코일정격 (Magnet coil ratings)

| Nominal voltage(V) | Item | Nominal current (mA) | Coil resistance (Ω) | Pull-in voltage (V) | Drop-out voltage (V) | Max. voltage (V) | Coil power(W) dissipation |
|--------------------|------|----------------------|---------------------|---------------------|----------------------|------------------|---------------------------|
| DC | 100 | 67 | 1,500 | 70% max. | 10% min. | 110% | 6 to 8 |
| | 60 | 113 | 530 | | | | |
| | 48 | 140 | 340 | | | | |
| | 24 | 282 | 85 | | | | |
| | 12 | 570 | 21 | | | | |
| | 6 | 1150 | 5.2 | | | | |

Notes : 1. Nominal current and coil resistance are measured at +20℃.
 2. Differences of coil resistance are ±10%.
 3. Performance characteristic coil temperature is measured at 20℃.

접점정격 (Contact ratings)

(60VDC기준)

| Item | Type | 1Pole Resistive load (cosφ = 1) | | | |
|--|------|---------------------------------|--------|--------|--------|
| | | CTS060 | CTS080 | CTS100 | CTS125 |
| Max. switching current | | 60A | 80A | 100A | 125A |
| Max. switching voltages(With blowouts type) | | 250VDC | 250VDC | 250VDC | 250VDC |
| Max. switching voltages(Without blowouts type) | | 60VDC | 60VDC | 60VDC | 60VDC |
| Voltage drop across contacts per 100A | | 40mV max. | | | |
| Description | | S.P On/Off | | | |

주문방법 (Ordering information)

CTS 125 M A - 48 S

Type
Arc Magnetic blowouts
Aux contacts

| | |
|-----|--------|
| 60 | 60(A) |
| 80 | 80(A) |
| 100 | 100(A) |
| 125 | 125(A) |

| | |
|------------------------|------------------------------|
| Coil surge suppressors | |
| S | Basic type |
| Z | transient voltage suppressor |
| D | interior diodes |
| DR | diodes & resisters |

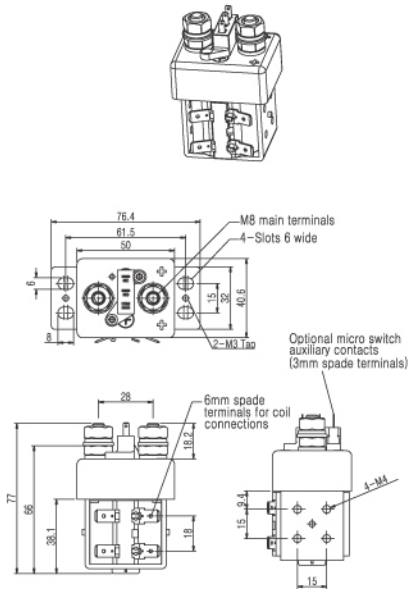
| | |
|---|--|
| Coil Rated voltage(DC) | |
| 6, 12, 24, 36, 48, 60, 72, 80, 100/110V | |

CTS125 Series

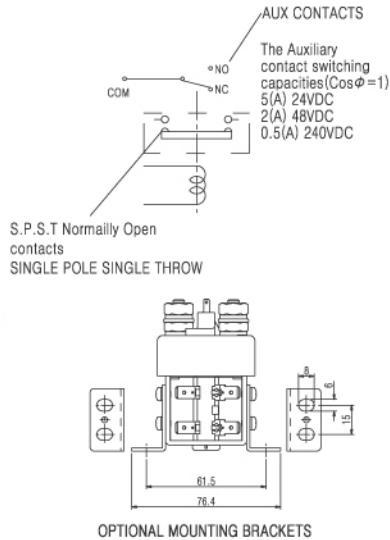
CTS060, 080, 100, 125



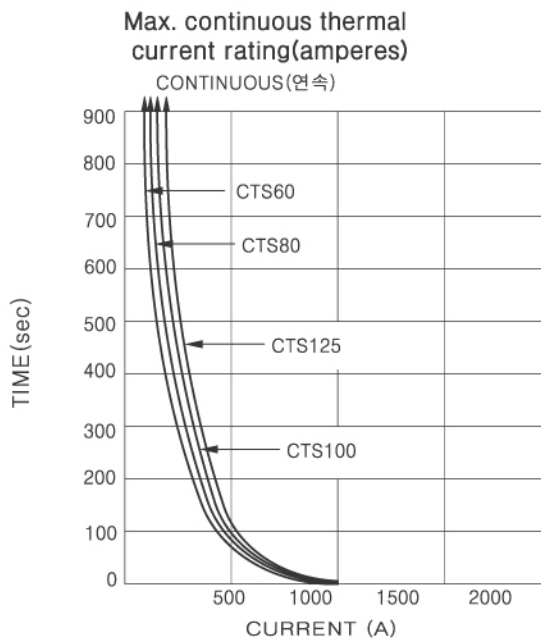
외형치수도 (Dimension in mm)



주접점 및 보조접점 배선도 CONNECTION DIAGRAMS



특성곡선 (Contact performance curve)





CTT200 Series



CTT200 Series

코일정격 (Magnet coil ratings)

| Nominal voltage(V) | Item | Nominal current (mA) | Coil resistance (Ω) | Pull-in voltage (V) | Drop-out voltage (V) | Max. voltage (V) | Coil power(W) dissipation |
|--------------------|------|----------------------|---------------------|---------------------|----------------------|------------------|----------------------------|
| DC | 110 | 123 / 282 | 895 / 390 | 70% max. | 10% min. | 110% | Continuously 10 to 15 |
| | 80 | 172 / 380 | 465 / 210 | | | | |
| | 72 | 192 / 450 | 375 / 160 | | | | |
| | 60 | 228 / 590 | 263 / 102 | | | | |
| | 48 | 308 / 658 | 160 / 73 | | | | Intermittently 30 to 40 |
| | 36 | 350 / 880 | 103 / 41 | | | | |
| | 24 | 522 / 1410 | 46 / 17 | | | | |
| | 12 | 1090 / 2400 | 11 / 5 | | | | |
| | 6 | 2000 / 4600 | 3 / 1.3 | | | | |

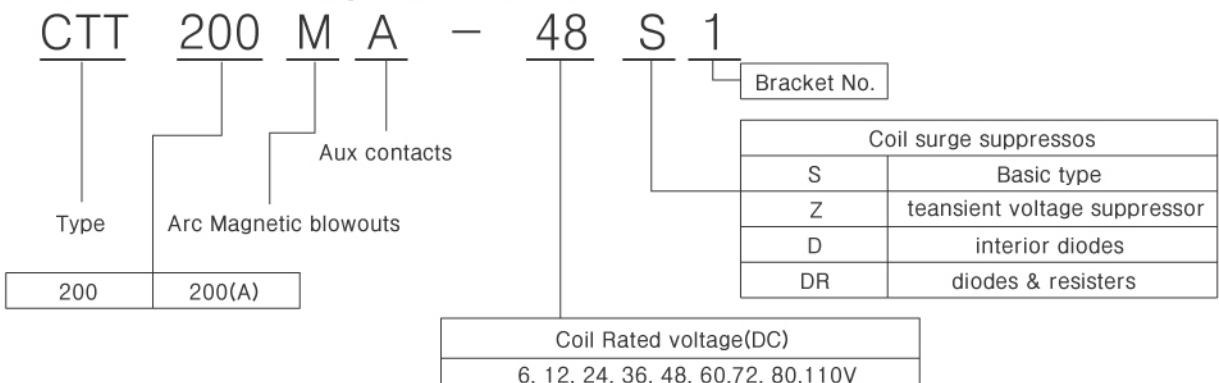
Notes : 1. Nominal current and coil resistance are measured at +20°C.
 2. Differences of coil resistance are ±15%.
 3. Performance characteristic coil temperature is measured at 20°C.

접점정격 (Contact ratings)

(60VDC기준)

| Item | Type | 1Pole Resistive load (cosφ = 1) |
|---------------------------------------|------|---------------------------------|
| Max. switching current | | 200A |
| Max. switching voltage(DC) | | 60VDC (Without blowouts type) |
| Max. switching voltage(DC) | | 250VDC (With blowouts type) |
| Voltage drop across contacts per 100A | | 40mV max. |
| Description | | S.P On/Off |

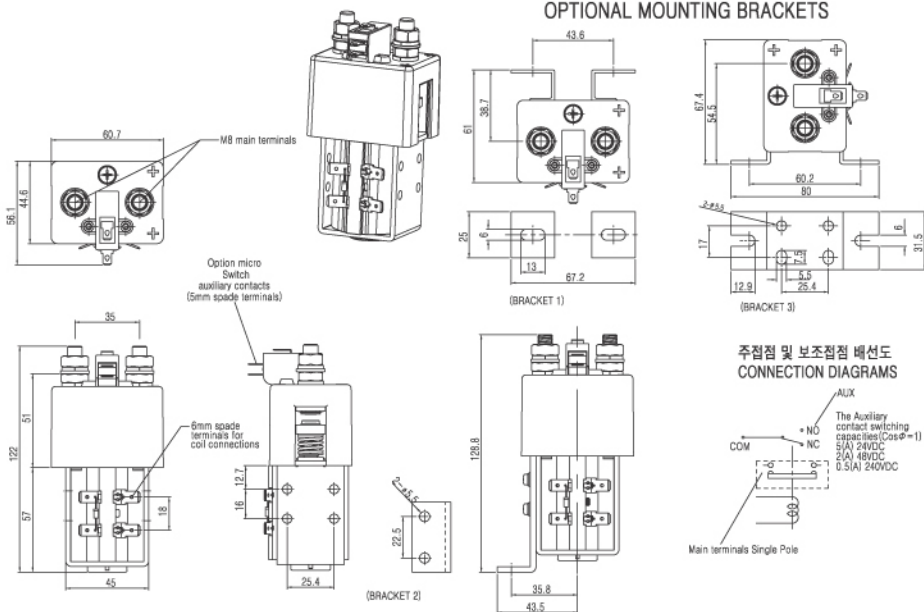
주문방법 (Ordering information)



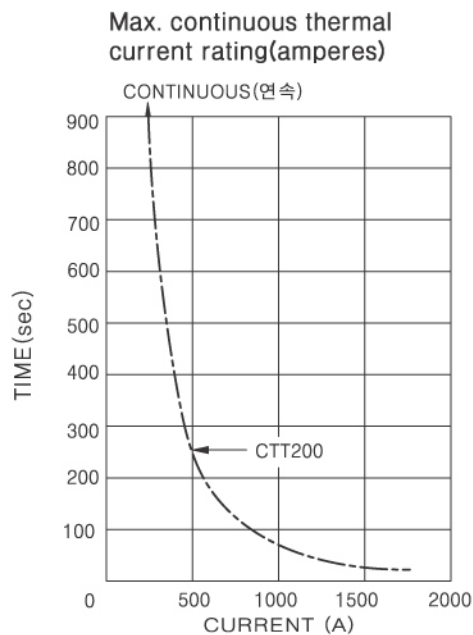
CTT200 Series



외형치수도 (Dimension in mm)



특성곡선 (Contact performance curve)





CTT400 Series

CTT300A, 350, 400, 403



CTT400 Series

코일정격 (Magnet coil ratings)

| Nominal voltage(V) | Item | Nominal current (mA) | Coil resistance (Ω) | Pull-in voltage (V) | Drop-out voltage (V) | Max. voltage (V) | Coil power(W) dissipation |
|--------------------|------|----------------------|---------------------|---------------------|----------------------|------------------|----------------------------|
| DC | 110 | 134 / 280 | 820 / 390 | 70% max. | 10% min. | 110% | Continuously 13 to 20 |
| | 80 | 180 / 380 | 440 / 210 | | | | |
| | 72 | 200 / 450 | 360 / 160 | | | | |
| | 60 | 238 / 545 | 252 / 110 | | | | |
| | 48 | 300 / 660 | 160 / 73 | | | | Intermittently 30 to 40 |
| | 36 | 400 / 880 | 90 / 41 | | | | |
| | 24 | 545 / 1410 | 44 / 18 | | | | |
| | 12 | 1200 / 2400 | 10 / 5 | | | | |
| | 6 | 2400 / 4600 | 2.5 / 1.30 | | | | |

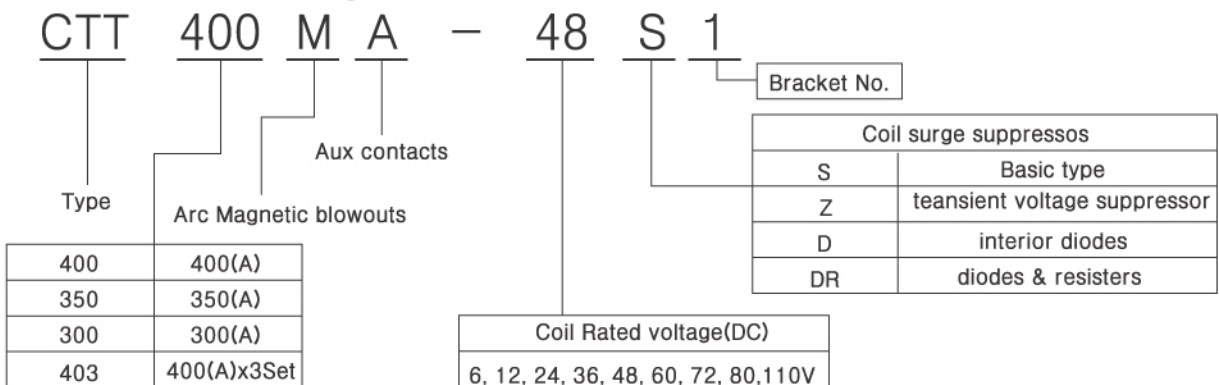
Notes : 1. Nominal current and coil resistance are measured at +20℃.
 2. Differences of coil resistance are ±10%.
 3. Performance characteristic coil temperature is measured at 20℃.

접점정격 (Contact ratings)

(60VDC기준)

| Item | Type | 1Pole Resistive load (cosφ =1) | | |
|--|------|--------------------------------|------------|------------|
| | | | | |
| Max. switching current | | 300A | 350A | 400A |
| Max. switching voltages(With blowouts type) | | 250VDC | 250VDC | 250VDC |
| Max. switching voltages(Without blowouts type) | | 60VDC | 60VDC | 60VDC |
| Voltage drop across contacts per 100A | | 40mV | 35mV | 30mV |
| Description | | S.P On/Off | S.P On/Off | S.P On/Off |

주문방법 (Ordering information)

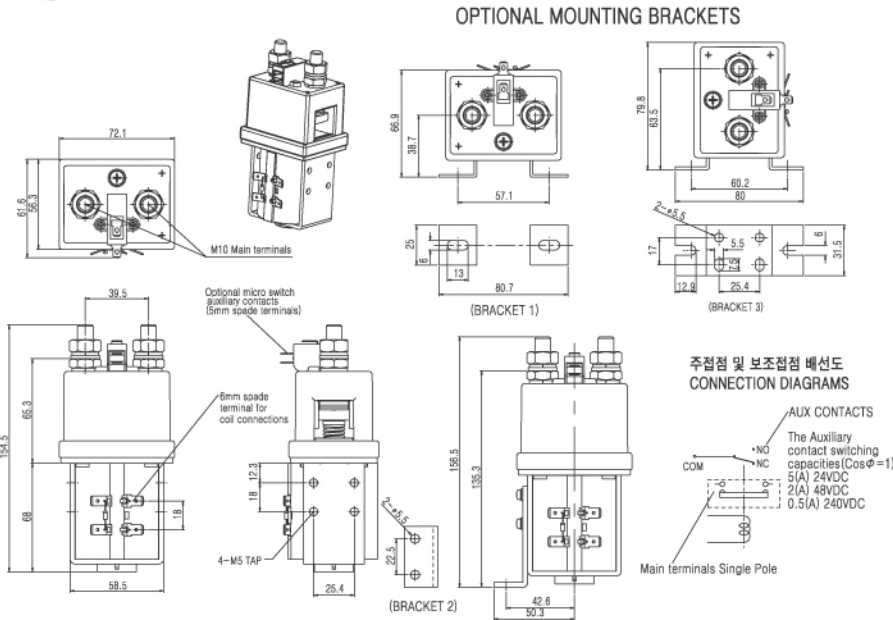


CTT400 Series

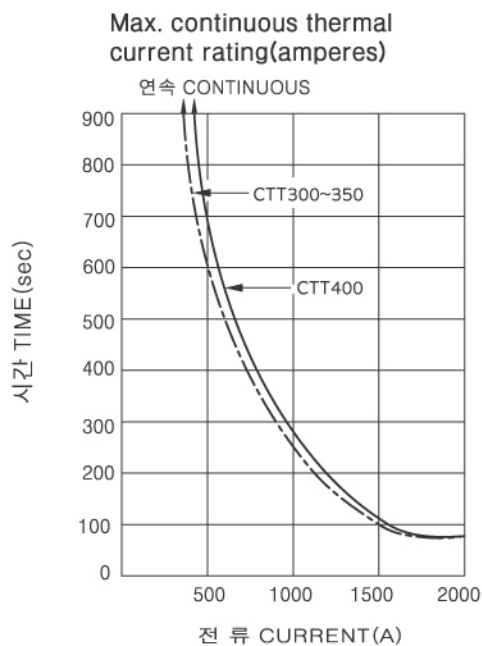
CTT300A, 350, 400, 403



외형치수도 (Dimension in mm)



특성곡선 (Contact performance curve)

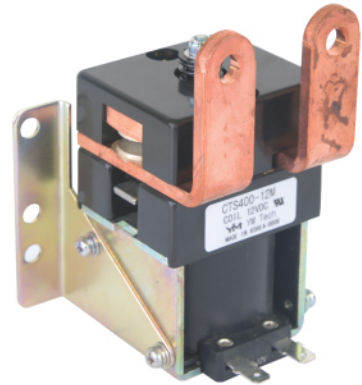




YM Tech

CTS400 Series

CTS200, 300, 400



CTS400 Series

코일정격 (Magnet coil ratings)

| Nominal voltage(V) | Item | Nominal current (mA) | Coil resistance (Ω) | Pull-in voltage (V) | Drop-out voltage (V) | Max. voltage (V) | Coil power(W) dissipation |
|--------------------|------|----------------------|---------------------|---------------------|----------------------|------------------|---------------------------|
| DC | 110 | 144 | 760 | 70% max. | 10% min. | 110% | 12 to 18 |
| | 60 | 240 | 250 | | | | |
| | 48 | 300 | 160 | | | | |
| | 24 | 600 | 40 | | | | |
| | 12 | 1,200 | 10 | | | | |
| | 6 | 2,400 | 2.5 | | | | |

Notes : 1. Nominal current and coil resistance are measured at +20°C.
 2. Differences of coil resistance are ±15%.
 3. Performance characteristic coil temperature is measured at 20°C.

접점정격 (Contact ratings)

(60VDC)

| Item | Type | 1Pole Resistive load (cosφ = 1) | | |
|---------------------------------------|------|---------------------------------|--------|--------|
| | | CTS200 | CTS300 | CTS400 |
| Max. switching current | | 200A | 300A | 400A |
| Max. switching voltages | | 60VDC | 60VDC | 60VDC |
| Max. switching capacity | | 12000W | 18000W | 24000W |
| Voltage drop across contacts per 100A | | 40mV max. | | |
| Description | | S.P On/Off | | |

주문방법 (Ordering information)

CTT 400 M A - 48 S 1

CTT: Type
 400: 400(A)
 300: 300(A)
 200: 200(A)

M: Arc Magnetic blowouts

A: Aux contacts

48: Coil Rated voltage(DC)
 6, 12, 24, 36, 48, 60, 72, 80, 100/110V

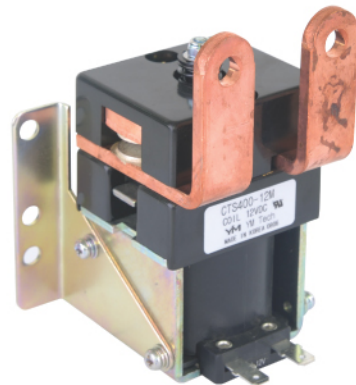
S: Coil surge suppressors

| Coil surge suppressors | |
|------------------------|------------------------------|
| S | Basic type |
| Z | teansient voltage suppressor |
| D | interior diodes |
| DR | diodes & resistors |

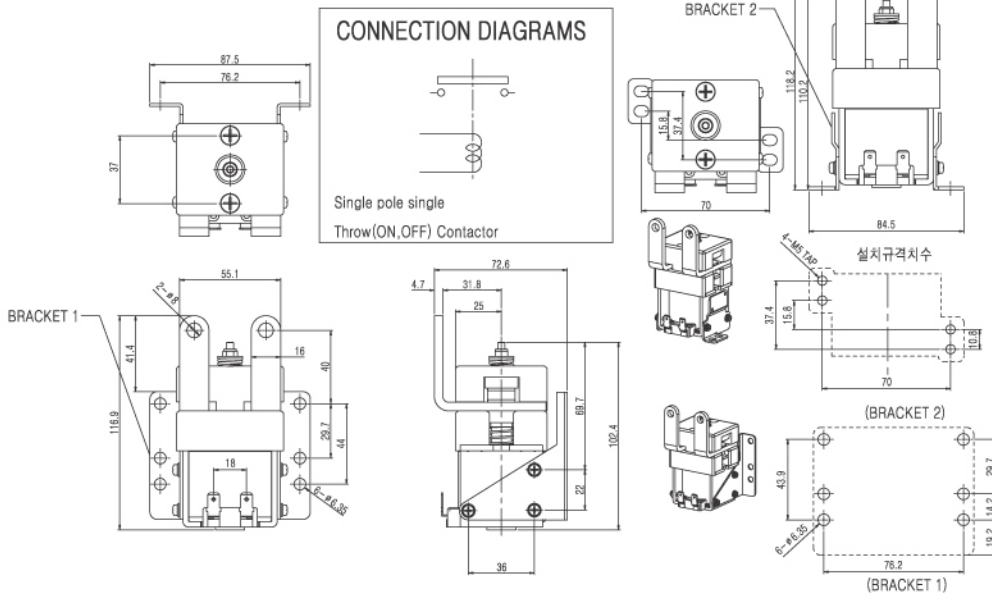
1: Bracket No.

CTS400 Series

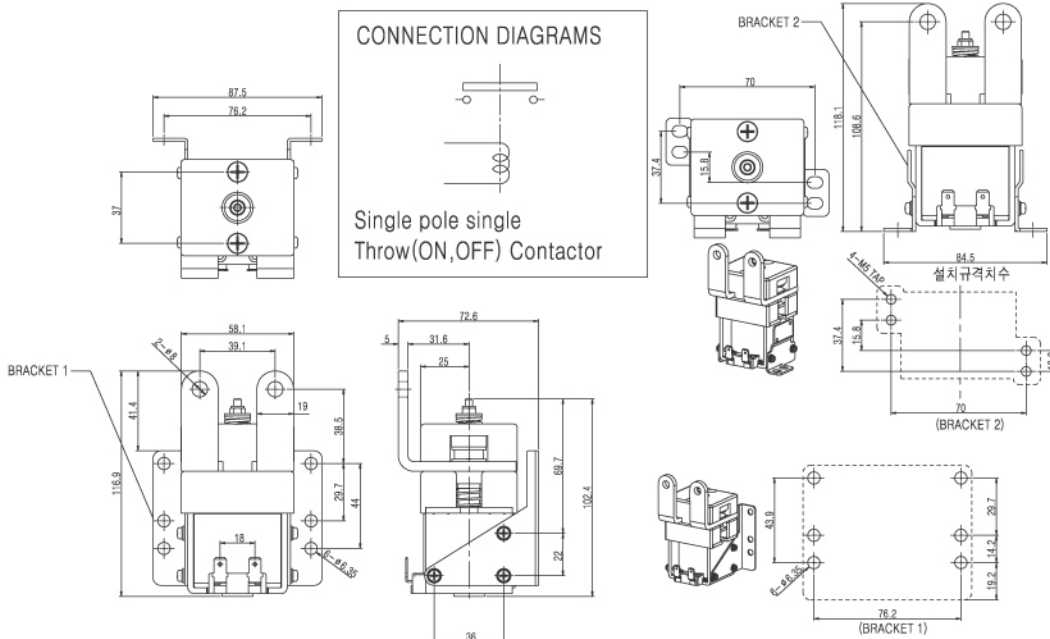
CTS200, 300, 400



외형치수도 (Dimension in mm) CTS200



CTS300, CTS400

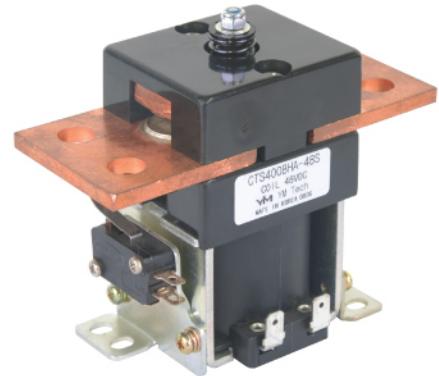


CTS400 Series



CTS400B Series

CTS200B, 300B, 400B



CTS400B Series

코일정격 (Magnet coil ratings)

| Nominal voltage(V) | Item | Nominal current (mA) | Coil resistance (Ω) | Pull-in voltage (V) | Drop-out voltage (V) | Max. voltage (V) | Coil power(W) dissipation |
|--------------------|------|----------------------|---------------------|---------------------|----------------------|------------------|---------------------------|
| DC | 110 | 144 | 760 | 70% max. | 10% min. | 110% | 11 to 14 |
| | 60 | 240 | 250 | | | | |
| | 48 | 300 | 160 | | | | |
| | 24 | 600 | 40 | | | | |
| | 12 | 1,200 | 10 | | | | |
| | 6 | 2,400 | 2.5 | | | | |

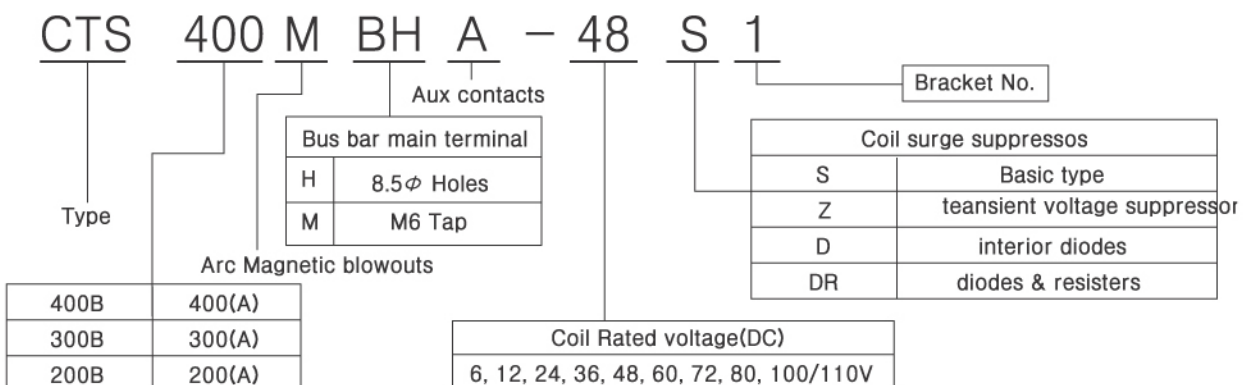
- Notes : 1. Nominal current and coil resistance are measured at +20°C.
 2. Differences of coil resistance are ±15%.
 3. Performance characteristic coil temperature is measured at 20°C.

접점정격 (Contact ratings)

(60VDC)

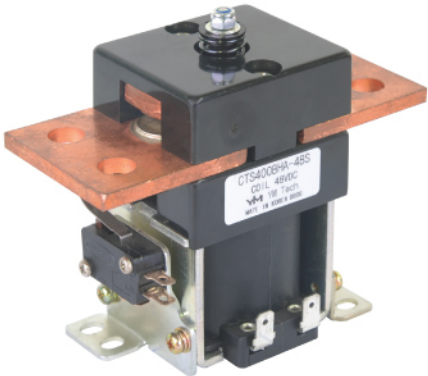
| Item | Type | 1Pole Resistive load (cosφ = 1) | | |
|---------------------------------------|------|---------------------------------|---------|---------|
| | | CTS200B | CTS300B | CTS400B |
| Max. switching current | | 200A | 300A | 400A |
| Max. switching voltages | | 60VDC | 60VDC | 60VDC |
| Max. switching capacity | | 12000W | 18000W | 24000W |
| Voltage drop across contacts per 100A | | 40mV max. | | |
| Description | | S.P On/Off | | |

주문방법 (Ordering information)

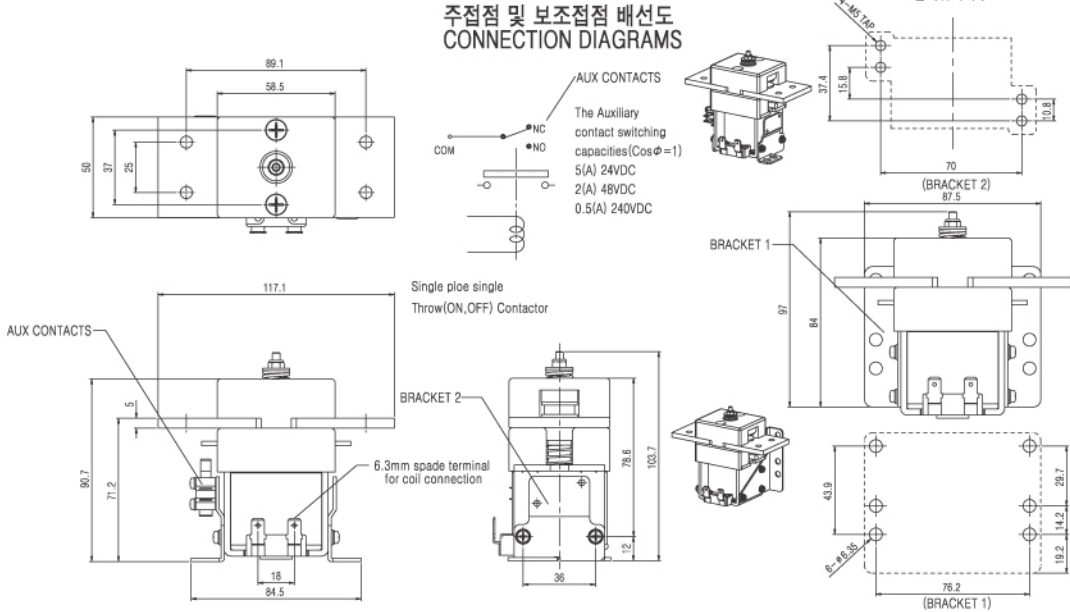


CTS400B Series

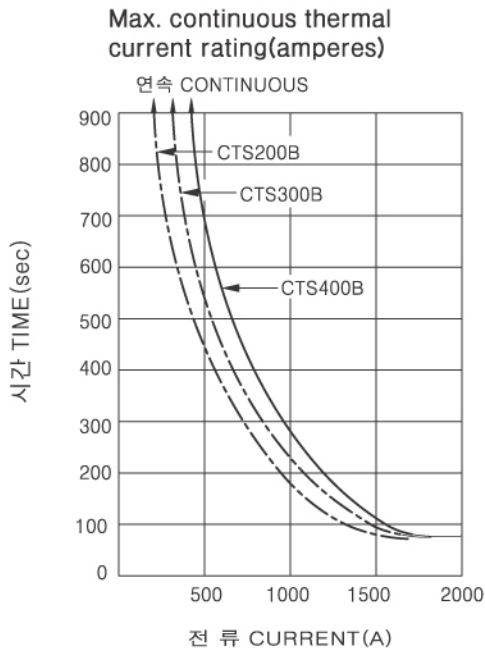
CTS200B, 300B, 400B



❖ 외형치수도 (Dimension in mm)



❖ 특성곡선 (Contact performance curve)



CTS400B Series



CTS400C Series

CTS200C, 300C, 400C
 CTS200CD, 300CD, 400CD



코일정격 (Magnet coil ratings)

| Nominal voltage(V) | Item | Nominal current (mA) | Coil resistance (Ω) | Pull-in voltage (V) | Drop-out voltage (V) | Max. voltage (V) | Coil power(W) dissipation |
|--------------------|------|----------------------|---------------------|---------------------|----------------------|------------------|----------------------------|
| DC | 110 | 144/314 | 760/350 | 70% max. | 10% min. | 110% | Continuously 12 to 18 |
| | 60 | 240/577 | 250/104 | | | | |
| | 48 | 300/738 | 160/65 | | | | |
| | 24 | 600/1450 | 40/16.5 | | | | Intermittently 33 to 37 |
| | 12 | 1200/2857 | 10/4.2 | | | | |
| | 6 | 1200/5455 | 2.5/1.1 | | | | |

Notes : 1. Nominal current and coil resistance are measured at +20°C.
 2. Differences of coil resistance are ±15%.
 3. Performance characteristic coil temperature is measured at 20°C.

접점정격 (Contact ratings)

(60VDC)

| Item | Type | 1Pole Resistive load (cosφ =1) | | |
|---------------------------------------|------|--------------------------------|---------|---------|
| | | CTS200C | CTS300C | CTS400C |
| Max. switching current | | 200A | 300A | 400A |
| Max. switching voltages | | 60VDC | 60VDC | 60VDC |
| Max. switching capacity | | 12000W | 18000W | 24000W |
| Voltage drop across contacts per 100A | | 40mV max. | | |
| Description | | S.P On/Off | | |

주문방법 (Ordering information)

CTS 400 M C D A - 48 S 1

CTS: Type
 400: 400(A)
 300: 300(A)
 200: 200(A)

M: Arc Magnetic blowouts
 C: Double Clamping Type
 D: Aux contacts

A: Coil Rated voltage(DC)
 48: 6, 12, 24, 36, 48, 60, 72, 80, 100/110V

S: Bracket No.
 1: Coil surge suppressors

| Coil surge suppressors | |
|------------------------|------------------------------|
| S | Basic type |
| Z | teansient voltage suppressor |
| D | interior diodes |
| DR | diodes & resisters |

CTS400C Series

CTS400C Series

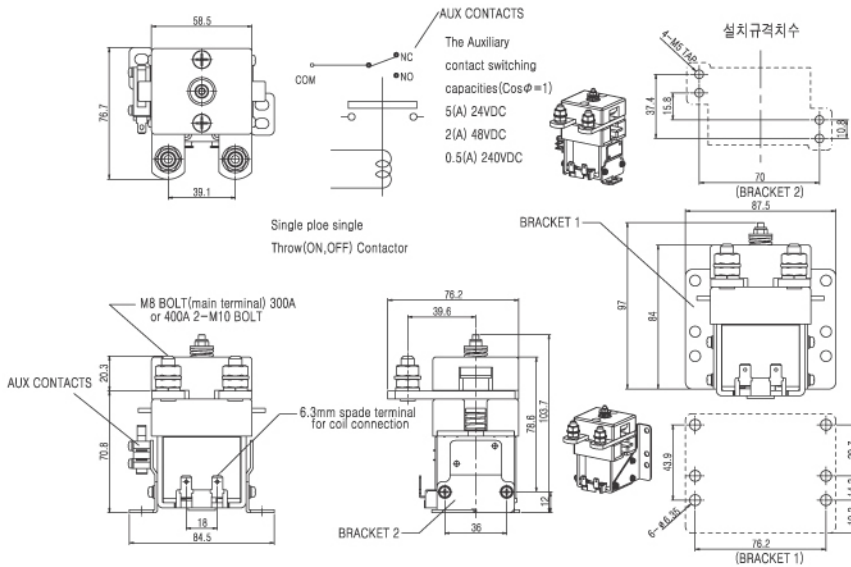
CTS200C, 300C, 400C
CTS200CD, 300CD, 400CD



외형치수도 (Dimension in mm)

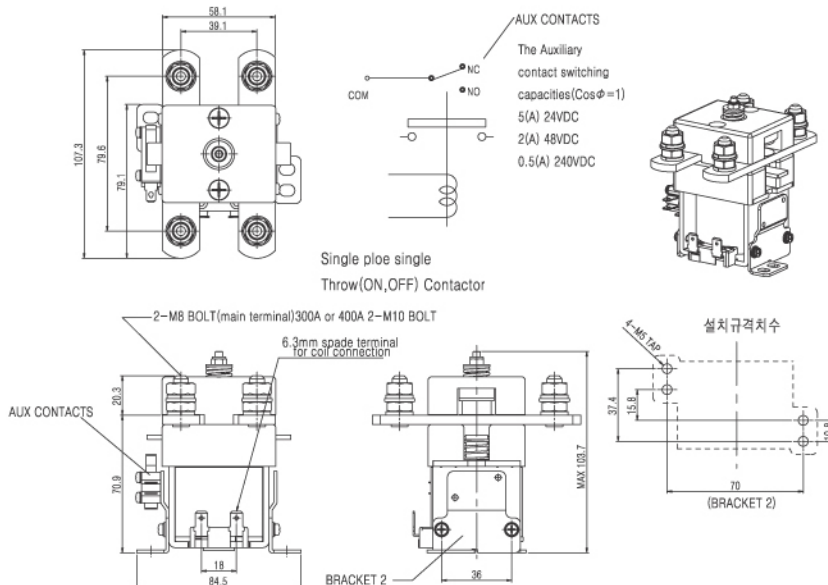
CTS200C, 300C, 400C

주접점 및 보조접점 배선도 CONNECTION DIAGRAMS



CTS200CD, 300CD, 400CD

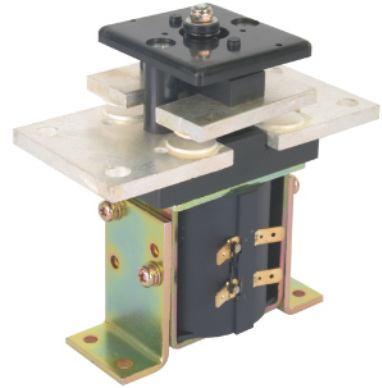
주접점 및 보조접점 배선도 CONNECTION DIAGRAMS





CTS800 Series

CTS600A, 800A



CTS800 Series

코일정격 (Magnet coil ratings)

| Nominal | Item | Nominal current (mA) | Coil resistance (Ω) | Pull-in voltage (V) | Drop-out voltage (V) | Max. voltage (V) | Coil power(W) dissipation |
|---------|------|----------------------|---------------------|---------------------|----------------------|------------------|---------------------------|
| DC | 100 | 145 | 690 | 70% max. | 10% min. | 110% | 13 to 20 |
| | 60 | 245 | 245 | | | | |
| | 48 | 305 | 157 | | | | |
| | 24 | 600 | 40 | | | | |
| | 12 | 1,225 | 9.8 | | | | |
| | 6 | 2,400 | 2.5 | | | | |

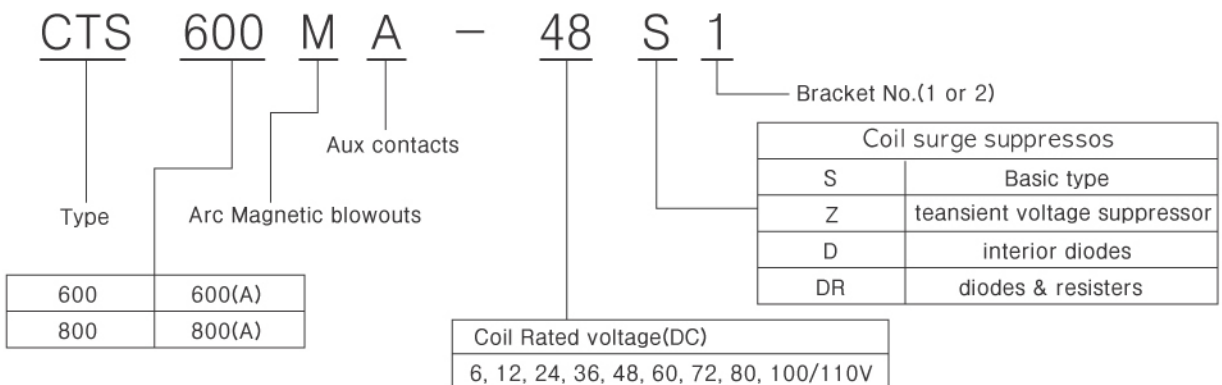
- Notes : 1. Nominal current and coil resistance are measured at +20℃.
 2. Differences of coil resistance are ±10%.
 3. Performance characteristic coil temperature is measured at 20℃.

접점정격 (Contact ratings)

(60VDC)

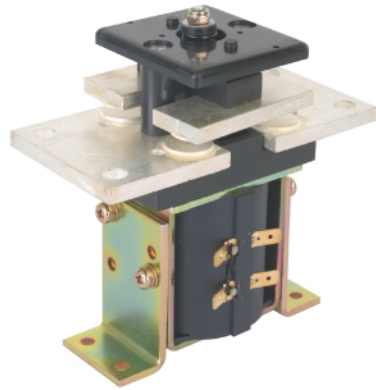
| Item | Type | 1Pole Resistive load (cosφ = 1) | |
|---------------------------------------|------|---------------------------------|----------|
| | | CTS600 | CTS800 |
| Carry current | | 600A | 800A |
| Max. switching current | | 600A | 800A |
| Max. switching capacity | | 36,000W | 48,000W |
| Voltage drop across contacts per 100A | | 15mv max. | 15mv max |
| Description | | S.P On/Off | |

주문방법 (Ordering information)

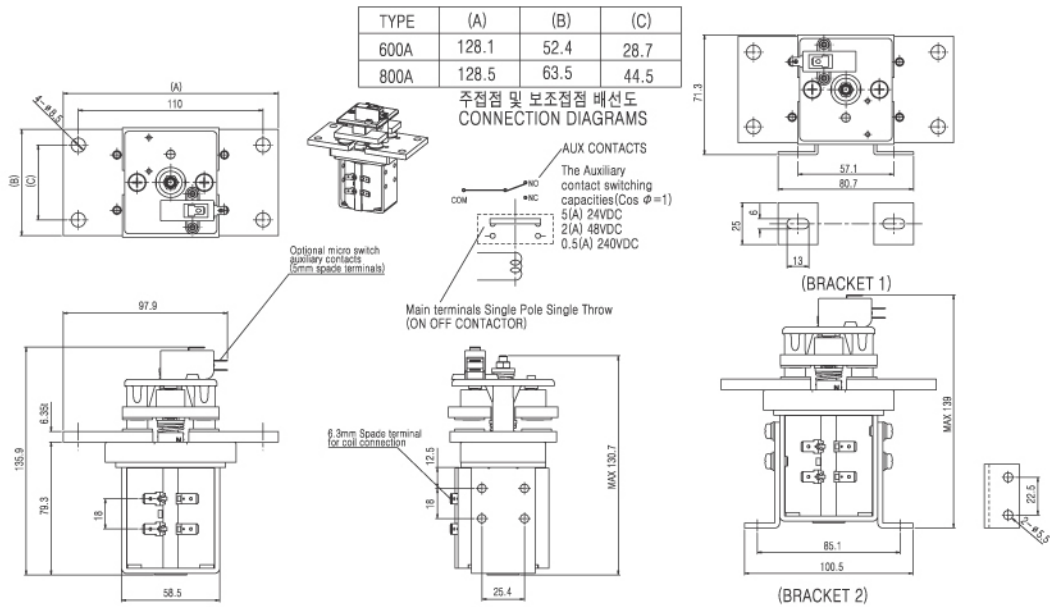


CTS800 Series

CTS600A, 800A

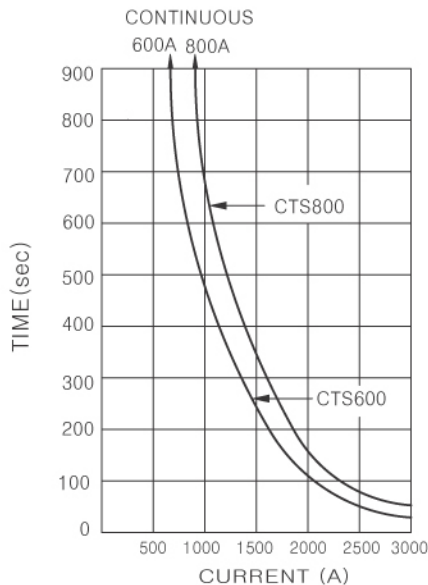


외형치수도 (Dimension in mm)



특성곡선 (Contact performance curve)

Max. continuous thermal current rating(amperes)





CTS1200 Series

CTS1000A, 1200A



CTS1200 Series

코일정격 (Magnet coil ratings)

| Nominal voltage(V) | Item | Nominal current (A) | Coil resistance (Ω) | Pull-in voltage (V) | Drop-out voltage (V) | Max. voltage (V) | Coil power(W) dissipation |
|--------------------|------|---------------------|---------------------|---------------------|----------------------|------------------|---------------------------|
| DC | 110 | 0.14 | 800 | 70% max. | 10% min. | 110% | 13 to 20 |
| | 60 | 0.25 | 240 | | | | |
| | 48 | 0.32 | 150 | | | | |
| | 24 | 0.63 | 38 | | | | |
| | 12 | 1.26 | 9.5 | | | | |
| | 6 | 2.5 | 2.4 | | | | |

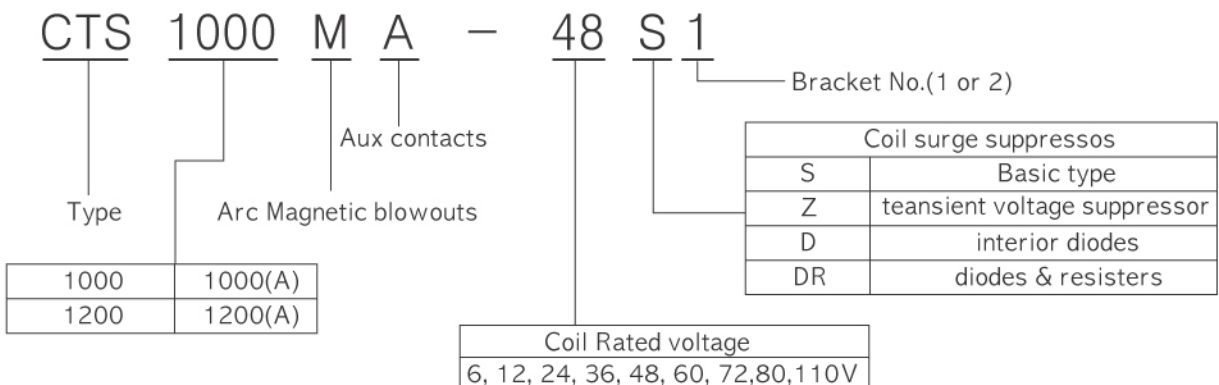
- Notes : 1. Nominal current and coil resistance are measured at +20°C.
 2. Differences of coil resistance are ±10%.
 3. Performance characteristic coil temperature is measured at 20°C.

접점정격 (Contact ratings)

(60VDC기준)

| Item | Type | 1Pole Resistive load (cosφ = 1) | |
|---------------------------------------|------|---------------------------------|----------|
| | | CTS1000 | CTS1200 |
| Carry current | | 1,000A | 1,200A |
| Max. switching current | | 1,000A | 1,200A |
| Max. switching capacity | | 60KW | 72KW |
| Voltage drop across contacts per 100A | | 15mV max | 15mV max |
| Description | | S.P On/Off | |

주문방법 (Ordering information)

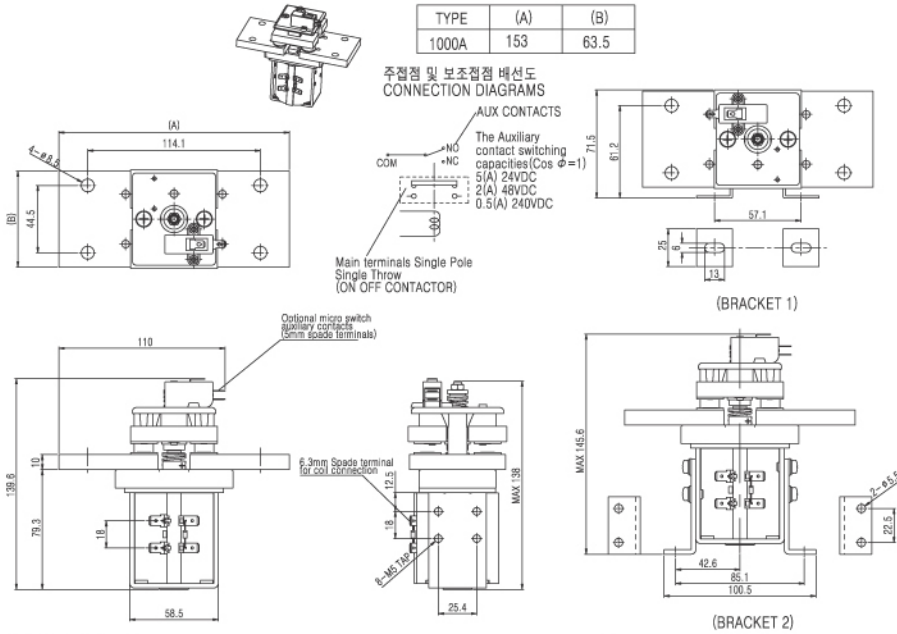


CTS1200 Series

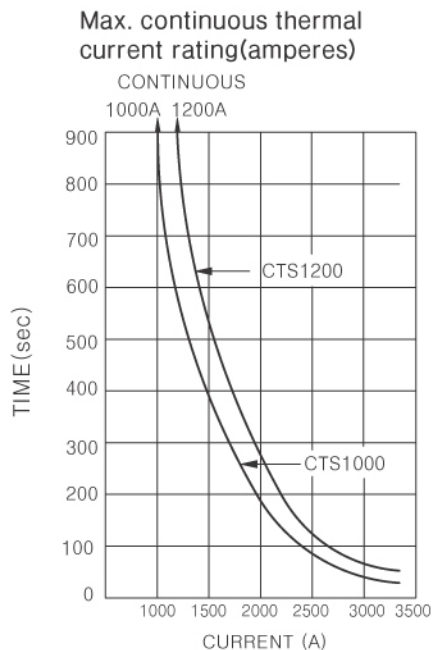
CTS1000A, 1200A



외형치수도 (Dimension in mm)



특성곡선 (Contact performance curve)





CTA82, CTA822 Series

CTA82A, CTA822



코일정격 (Magnet coil ratings)

| Nominal voltage(V) | Item | Nominal current (mA) | Coil resistance (Ω) | Pull-in voltage (V) | Drop-out voltage (V) | Max. voltage (V) | Coil power(W) dissipation |
|--------------------|-------------|----------------------|---------------------|---------------------|----------------------|------------------|----------------------------|
| DC | 110 | 94 / 146 | 1170 / 750 | 70% max. | 10% min. | 110% | Continuous 7 to 13 |
| | 80 | 130 / 220 | 600 / 365 | | | | |
| | 72 | 157 / 350 | 458 / 205 | | | | |
| | 60 | 200 / 280 | 305 / 212 | | | | |
| | 48 | 226 / 400 | 212 / 120 | | | | Intermittently 15 to 20 |
| | 36 | 300 / 490 | 120 / 73 | | | | |
| | 24 | 460 / 830 | 52 / 29 | | | | |
| | 12 | 860 / 1330 | 14 / 9 | | | | |
| 6 | 1710 / 2600 | 3.5 / 2.3 | | | | | |

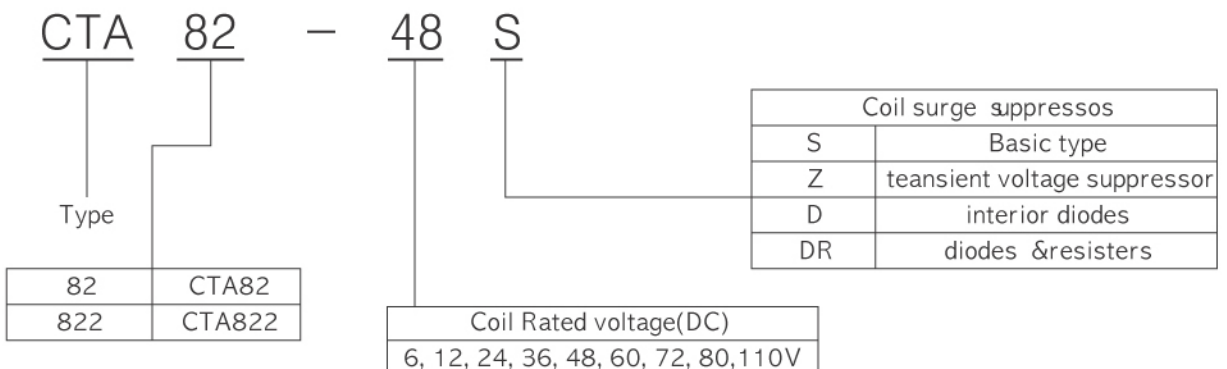
Notes : 1. Nominal current and coil resistance are measured at +20°C.
 2. Differences of coil resistance are ±10%.
 3. Performance characteristic coil temperature is measured at 20°C.

접점정격 (Contact ratings)

(60VDC기준)

| Item | Type | CTA82 | CTA822 |
|--|------|-----------------------------|------------------------------------|
| | | Double Pole Single Throw | Paired Double Pole Single Throw |
| Max. switching current | | 60A | |
| Max. switching voltages(With blowouts type) | | 96VDC | |
| Max. switching voltages(Without blowouts type) | | 60VDC | |
| Voltage drop across contacts per 100A | | 50mV | |
| Description | | DP On/OFF | PDP On/Off |

주문방법 (Ordering information)



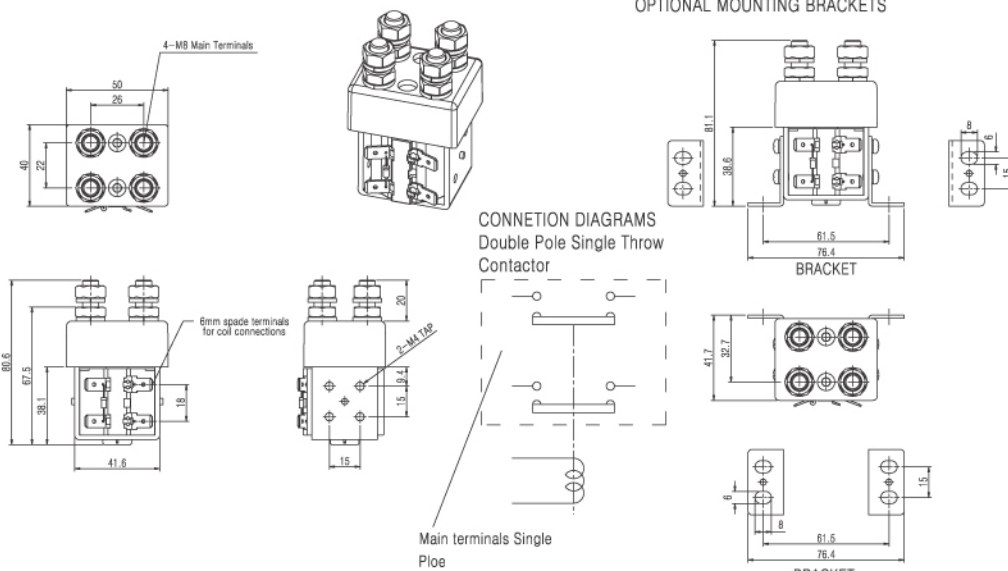
CTA82A, CTA822 Series

CTA82, CTA822 Series

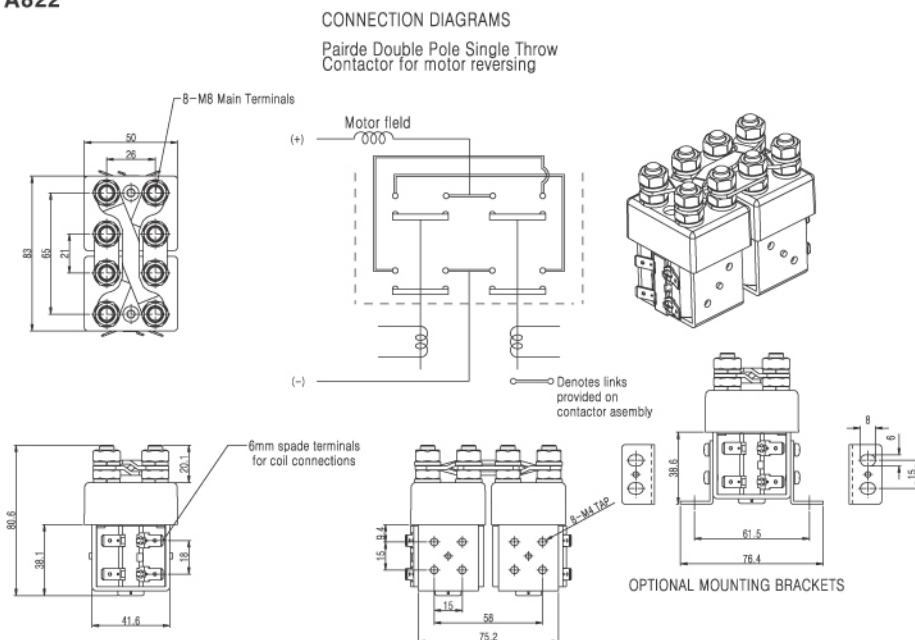
CTA82A, CTA822



외형치수도 (Dimension in mm) CTA82



외형치수도 (Dimension in mm) CTA822



CTA82A, CTA822 Series



CTD88 Series

CTD88, CTU88, CTW88



코일정격 (Magnet coil ratings)

| Nominal voltage(V) | Item | Intermittently resistance (Ω) | continuously resistance (Ω) | Pull-in voltage (V) | Drop-out voltage (V) | Max. voltage (V) | Coil power(W) dissipation |
|--------------------|------|-------------------------------|-----------------------------|----------------------|----------------------|------------------|---------------------------|
| | DC | 80 | 365 | 600 | 66% max. | 10% min. | 110% |
| 72 | | 305 | 458 | | | | |
| 60 | | 212 | 305 | | | | |
| 48 | | 120 | 212 | | | | |
| 36 | | 73 | 120 | Continuously 7~12 | | | |
| 24 | | 29 | 52 | | | | |
| 12 | | 9 | 14 | | | | |

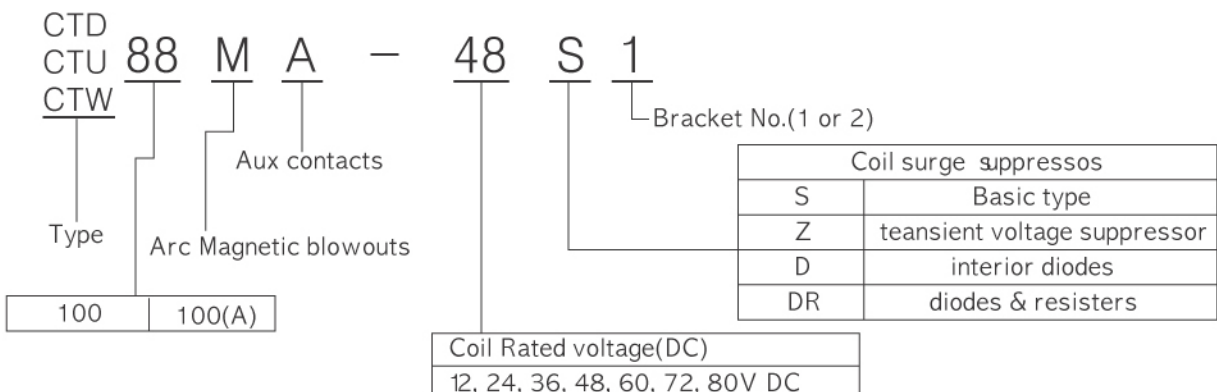
- Notes : 1. Nominal current and coil resistance are measured at +20°C.
 2. Differences of coil resistance are ±10%.
 3. Performance characteristic coil temperature is measured at 20°C.

접점정격 (Contact ratings)

(60VDC기준)

| Item | MONOBLOCK SINGLE POLE DOUBLE THROW POLE DOUBLE THROW Motor reversing |
|---------------------------------------|--|
| Thermal current rating(100%) | 100A (Continuous) |
| Max. switching voltage(DC) | 96VDC (Without blowout type) |
| Voltage drop across contacts per 100A | 30mV max.(normally open) |
| Voltage drop across contacts per 100A | 40mV max.(normally closed) |

주문방법 (Ordering information)



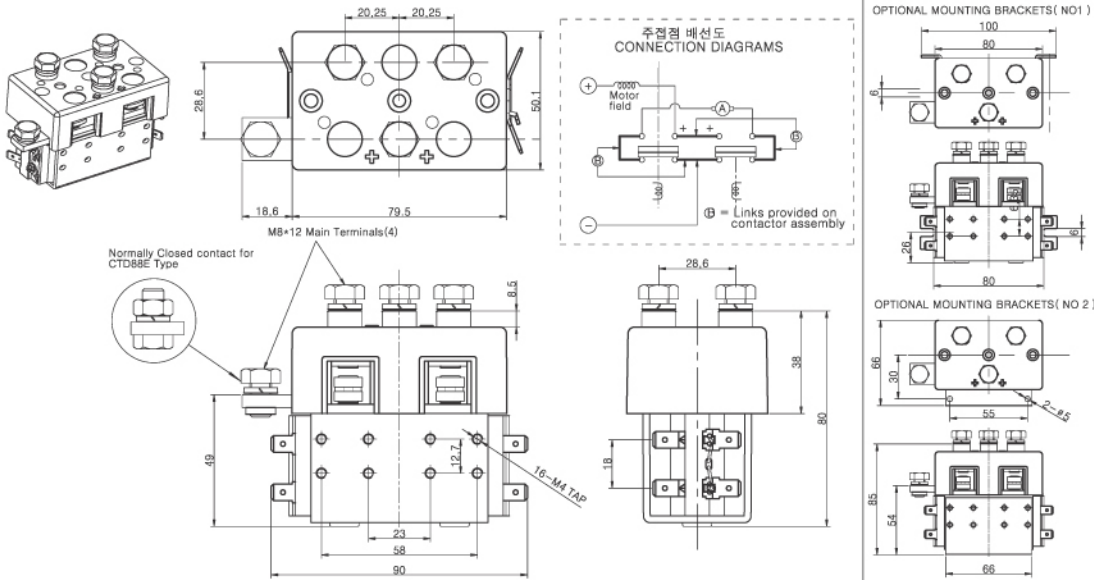
CTD88 Series

CTD88, CTU88, CTW88



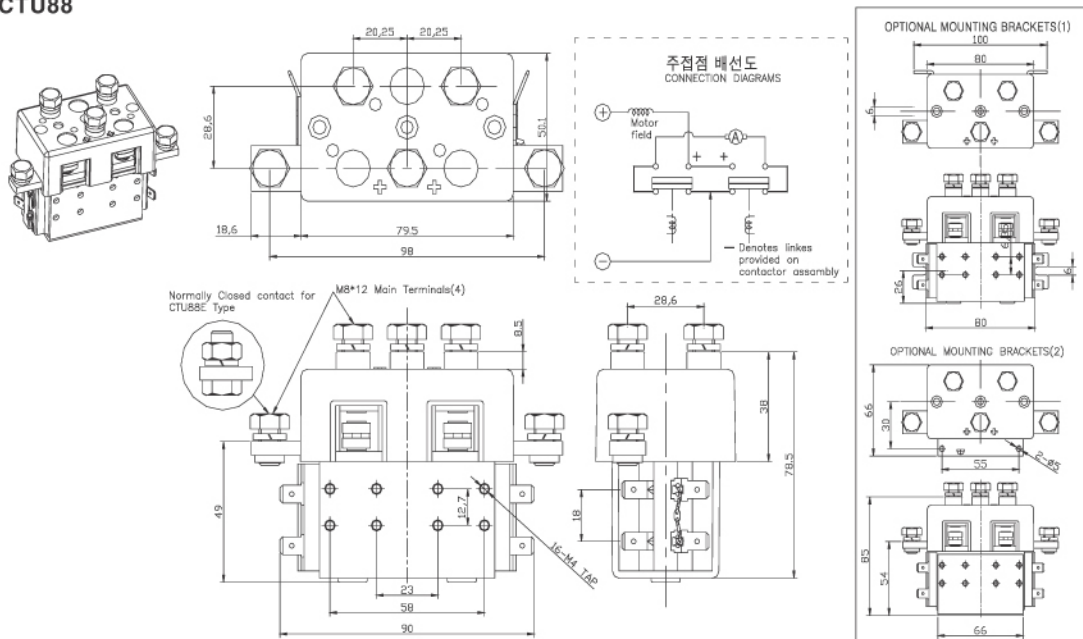
외형치수도 (Dimension in mm)

CTD88



외형치수도 (Dimension in mm)

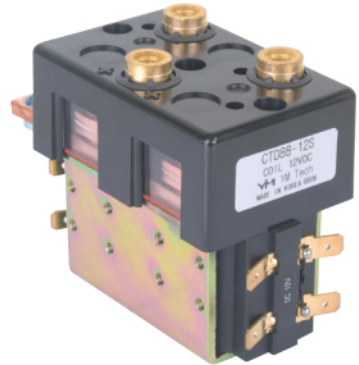
CTU88



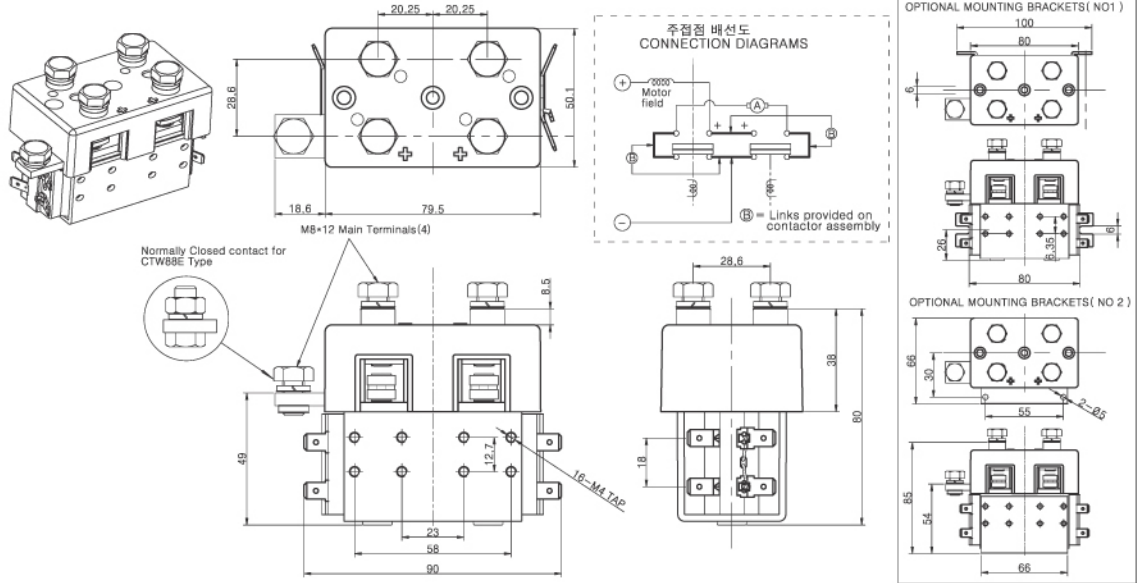


CTD88 Series

CTD88, CTU88, CTW88

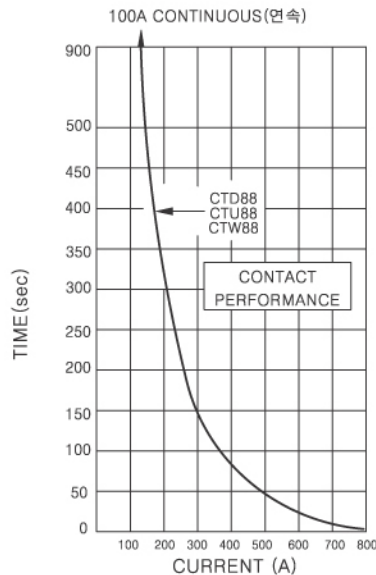


외형치수도 (Dimension in mm) CTW88



특성곡선 (Contact performance curve)

Max. continuous thermal current rating(amperes)



CTD150 Series

CTD150, CTU150, CTW150



코일정격 (Magnet coil ratings)

| Nominal voltage(V) | Item | Intermittently resistance (Ω) | continuously resistance (Ω) | Pull-in voltage (V) | Drop-out voltage (V) | Max. voltage (V) | Coil power(W) dissipation |
|--------------------|------|-------------------------------|-----------------------------|---------------------|----------------------|------------------|---------------------------|
| DC | 80 | 212 | 427 | 66% max. | 10% min. | 110% | Intermittently 30~40 |
| | 72 | 150 | 417 | | | | |
| | 60 | 102 | 282 | | | | |
| | 48 | 73 | 150 | | | | |
| | 36 | 44 | 102 | | | | |
| | 24 | 17 | 44 | | | | |
| | 12 | 5 | 13 | | | | Continuously 10~15 |

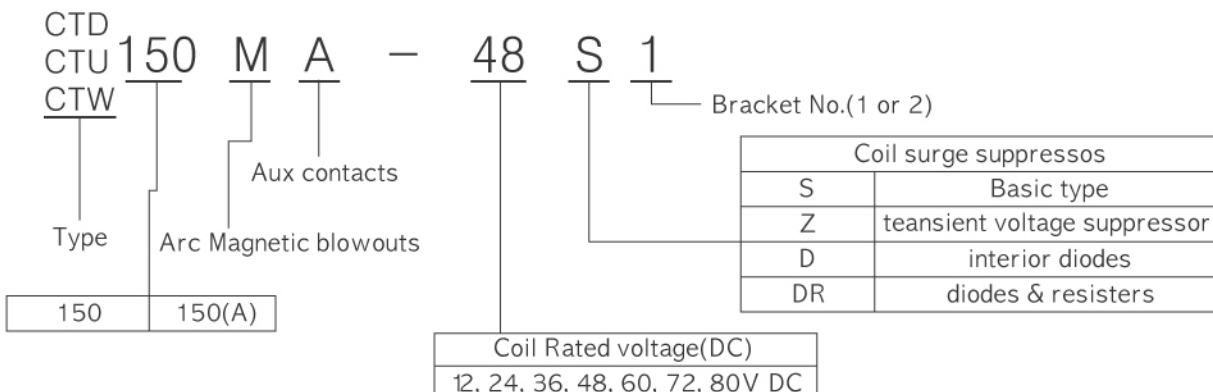
- Notes : 1. Nominal current and coil resistance are measured at +20℃.
 2. Differences of coil resistance are ±15%.
 3. Performance characteristic coil temperature is measured at 20℃.

접점정격 (Contact ratings)

(60VDC기준)

| Item | Type | MONOBLOCK SINGLE POLE DOUBLE THROW |
|---------------------------------------|------|--------------------------------------|
| | | POLE DOUBLE THROW Motor reversing |
| Thermal current rating(100%) | | 150A (Continuous) |
| Max. switching voltage(DC) | | 96VDC (Without blowouts type) |
| Voltage drop across contacts per 100A | | 30mV max.(normally open) |
| Voltage drop across contacts per 100A | | 40mV max.(normally closed) |

주문방법 (Ordering information)



CTD150 Series

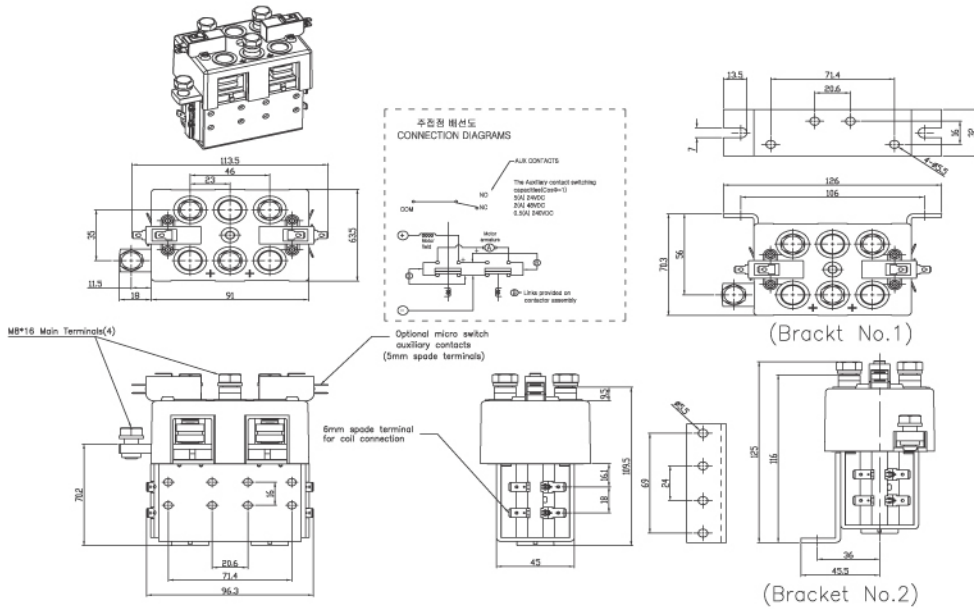


CTD150 Series

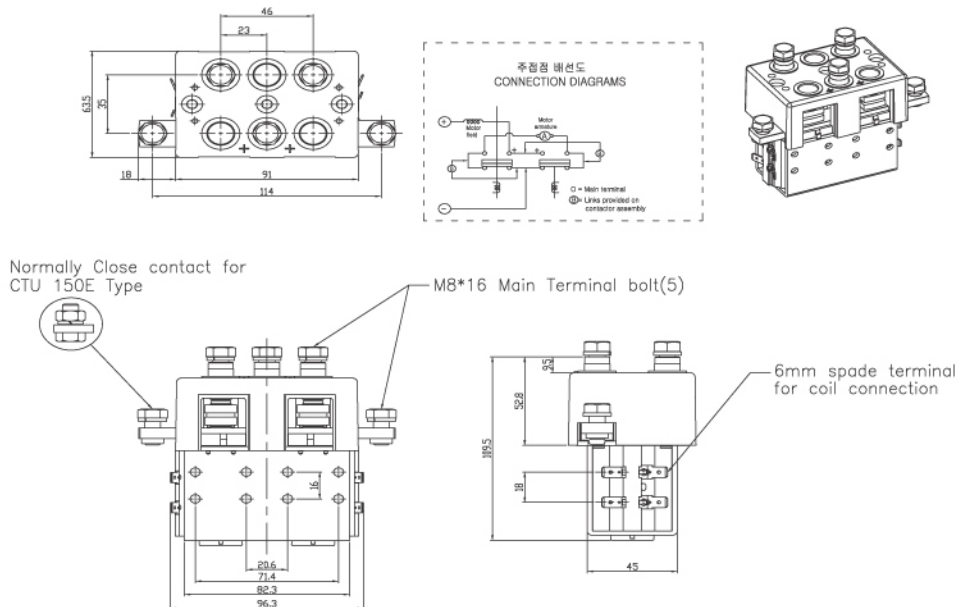
CTD150, CTU150, CTW150



외형치수도 (Dimension in mm) CTD150



외형치수도 (Dimension in mm) CTU150



CTD150 Series

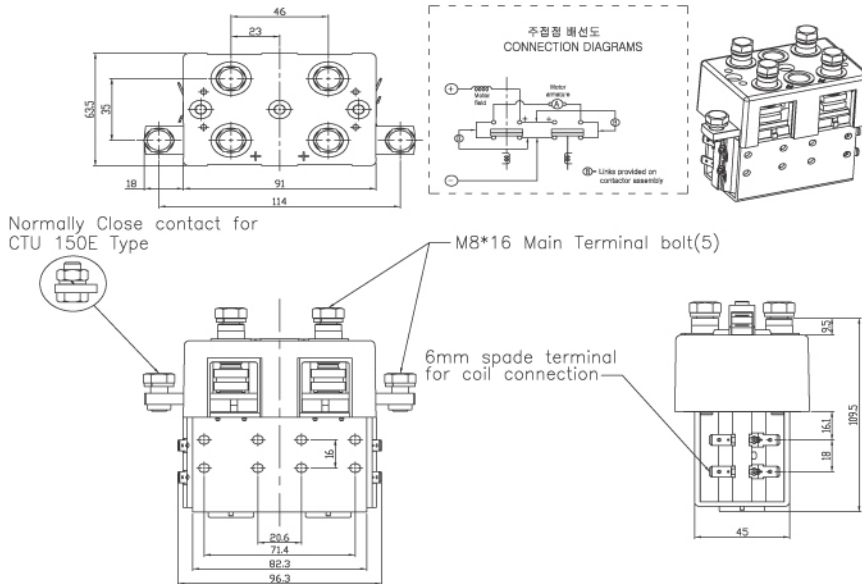
CTD150 Series

CTD150, CTU150, CTW150



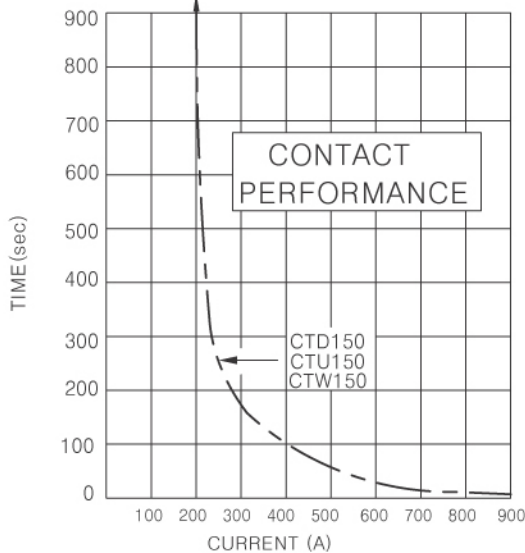
외형치수도 (Dimension in mm)

CTW150



특성곡선 (Contact performance curve)

Max. continuous thermal current rating(amperes)
150A CONTINUOUS(연속)





STB080 Series

STB80



STB080 Series

코일정격 (Magnet coil ratings)

| Nominal voltage(V) | Item | Nominal current (mA) | Coil resistance (Ω) | Pull-in voltage (V) | Drop-out voltage (V) | Max. voltage (V) | Coil power(W) dissipation |
|--------------------|------|----------------------|---------------------|---------------------|----------------------|------------------|---------------------------|
| DC | 100 | 139 | 720 | 70% max. | 10% min. | 110% | 13 to 15 |
| | 60 | 207 | 260 | | | | |
| | 48 | 290 | 166 | | | | |
| | 24 | 585 | 41 | | | | |
| | 12 | 1130 | 10.6 | | | | |
| | 6 | 2300 | 2.6 | | | | |

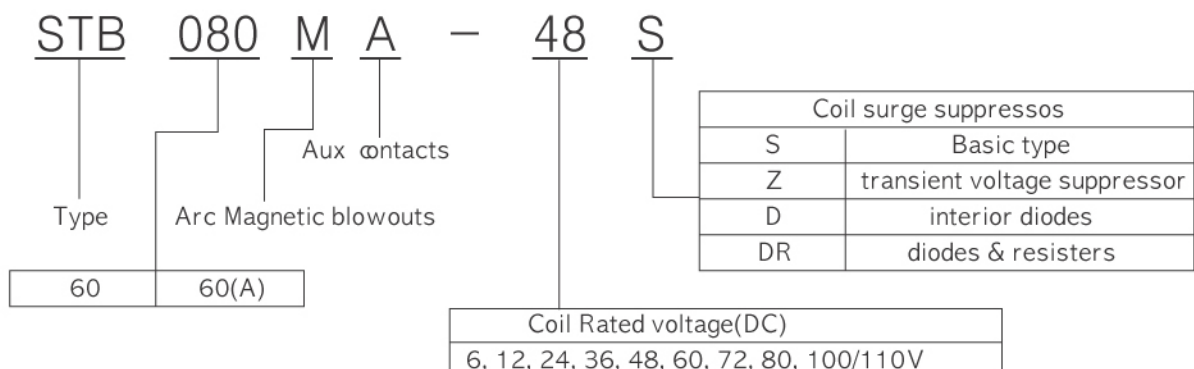
- Notes : 1. Nominal current and coil resistance are measured at +20°C.
 2. Differences of coil resistance are ±10%.
 3. Performance characteristic coil temperature is measured at 20°C.

접점정격 (Contact ratings)

(60VDC기준)

| Item | Type | 1Pole Resistive load (cosφ = 1) |
|--|------|---------------------------------|
| | | STB80 |
| Max. switching current | | 60A |
| Max. switching voltages(With blowouts type) | | DC 60V |
| Max. switching voltages(Without blowouts type) | | DC 250V |
| Voltage drop across contacts per 30A | | 40mV max. |
| Description | | Nomrmally Closed 1b |

주문방법 (Ordering information)

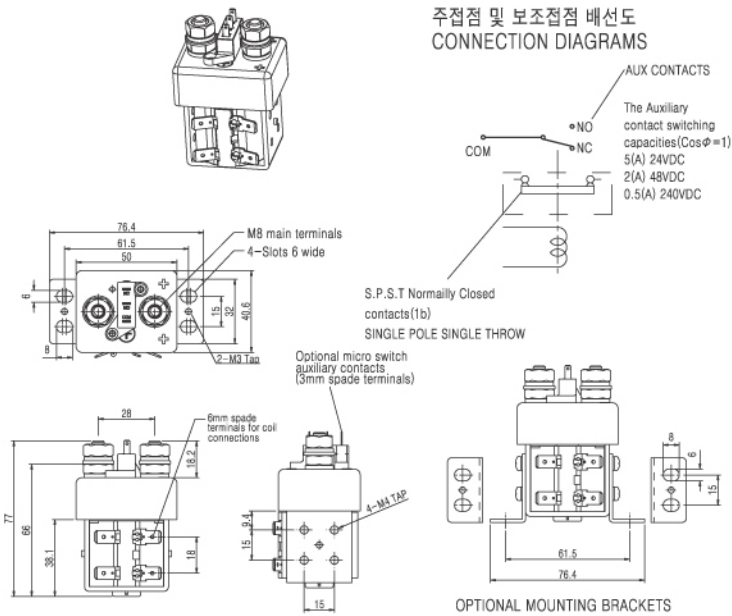


STB080 Series

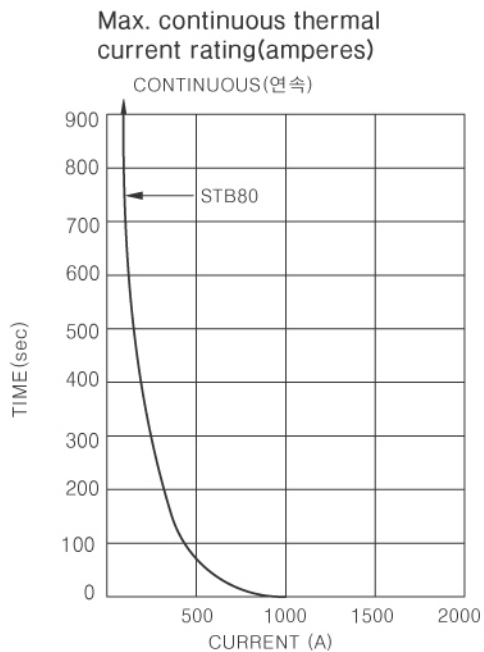
STB80



외형치수도 (Dimension in mm)



특성곡선 (Contact performance curve)



STB080 Series



CTB50 Series

CTB50



코일정격 (Magnet coil ratings)

| Nominal voltage(V) | Item | Nominal current (mA) | Coil resistance (Ω) | Pull-in voltage (V) | Drop-out voltage (V) | Max. voltage (V) | Coil power(W) dissipation |
|--------------------|------|----------------------|------------------------------|---------------------|----------------------|------------------|---------------------------|
| DC | 100 | 35 | 2,820 | 70% max. | 10% min. | 110% | 3.2 to 4.2 |
| | 60 | 588 | 1,020 | | | | |
| | 48 | 733 | 655 | | | | |
| | 24 | 145 | 165 | | | | |
| | 12 | 293 | 41 | | | | |
| | 6 | 594 | 10.1 | | | | |

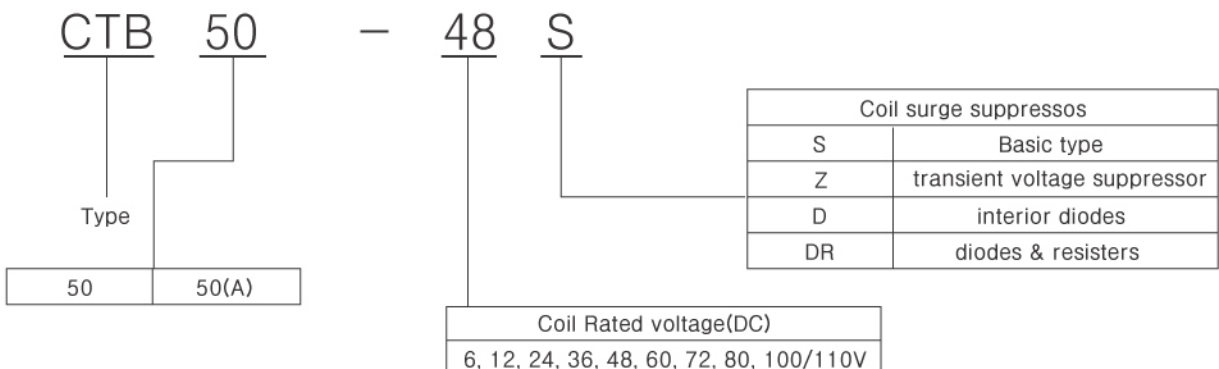
- Notes : 1. Nominal current and coil resistance are measured at +20°C.
 2. Differences of coil resistance are $\pm 10\%$.
 3. Performance characteristic coil temperature is measured at 20°C.

접점정격 (Contact ratings)

(70VDC기준)

| Item | Type | 1 Pole Resistive load ($\cos\phi = 1$) |
|---|-----------------------------------|--|
| | | CTB50 |
| Max. switching current | | 50A |
| Max. switching voltages(With blowouts type) | | DC 70V |
| Voltage drop across contacts per 30A | | 40mV max. |
| Description | Double Pole Double Throw (2a, 2b) | |

주문방법 (Ordering information)

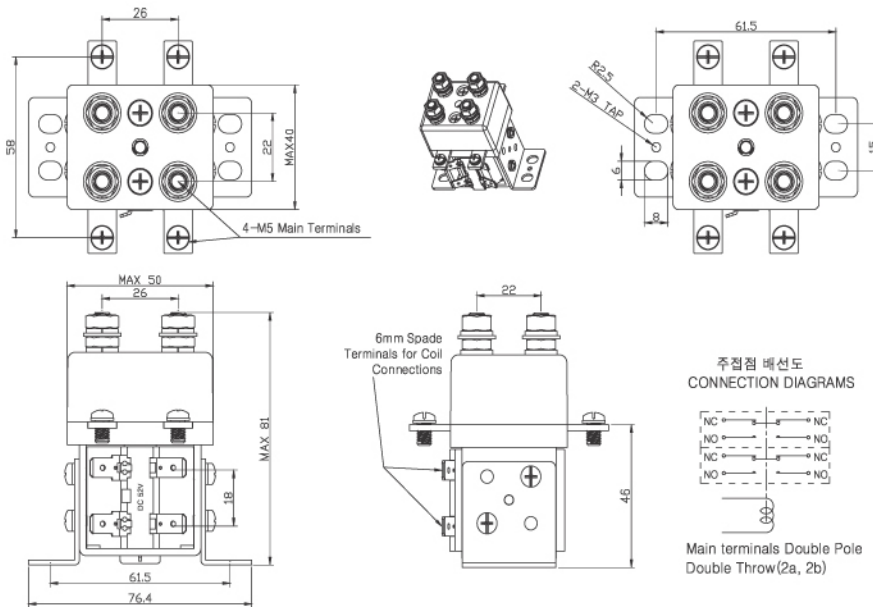


CTB50 Series

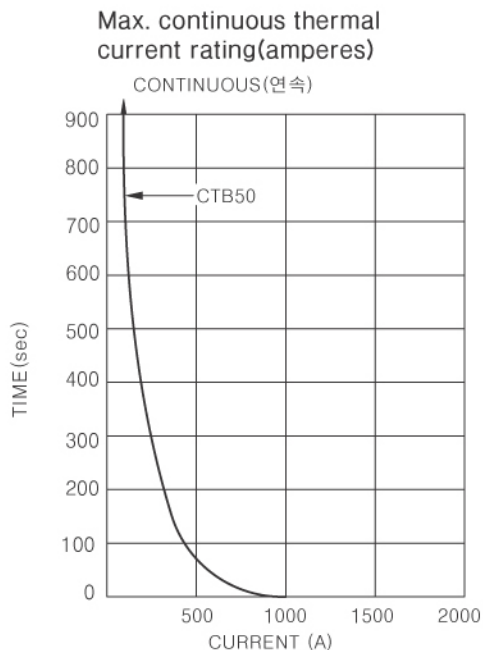
CTB50



외형치수도 (Dimension in mm)



특성곡선 (Contact performance curve)





STC160

STC160



코일정격 (Magnet coil ratings)

| Nominal voltage(V) | Item | Nominal current (mA) | Coil resistance (Ω) | Pull-in voltage (V) | Drop-out voltage (V) | Max. voltage (V) | Coil power(W) dissipation |
|--------------------|------|----------------------|---------------------|---------------------|----------------------|------------------|---------------------------|
| DC | 110 | 144 | 760 | 70% max. | 10% min. | 110% | 12 to 18 |
| | 60 | 240 | 250 | | | | |
| | 48 | 300 | 160 | | | | |
| | 24 | 600 | 40 | | | | |
| | 12 | 1,200 | 10 | | | | |
| | 6 | 2,400 | 2.5 | | | | |

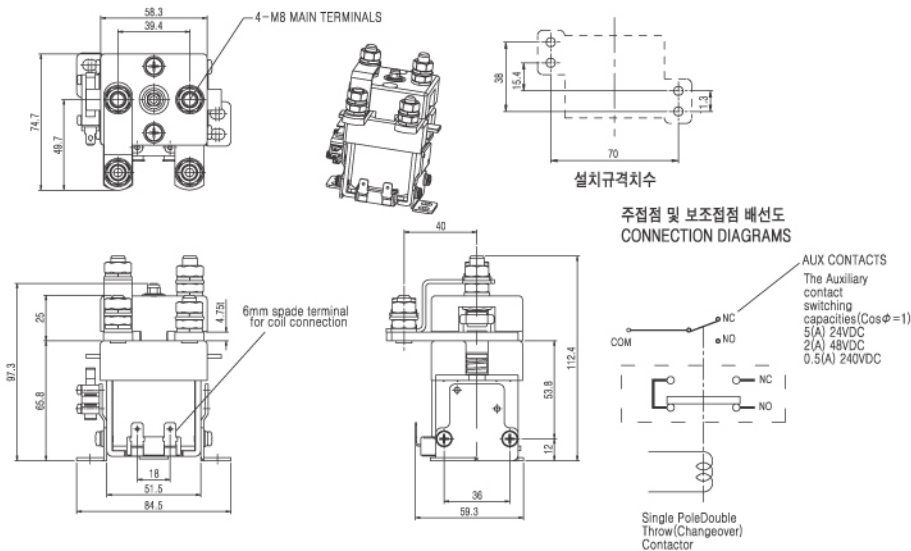
Notes : 1. Nominal current and coil resistance are measured at +20°C.
 2. Differences of coil resistance are ± 15%.
 3. Performance characteristic coil temperature is measured at 20°C.

접점정격 (Contact ratings)

(60VDC)

| Item | Type | Single Pole Changeover |
|---------------------------------------|--------|------------------------|
| | | DC Motor |
| | STC160 | |
| Max. switching current | | 150A |
| Max. switching voltages | | 60VDC |
| Max. switching capacity | | 9000W |
| Voltage drop across contacts per 100A | | 40mV max. |
| Description | | Single Pole Changeover |

외형치수도 (Dimension in mm)



YL2 Series

YL2



코일정격 (Magnet coil ratings)

| Nominal voltage(V) | Item | Nominal current (mA) | Coil resistance (Ω) | Pull-in voltage (V) | Drop-out voltage (V) | Max. voltage (V) | Coil power(W) dissipation |
|--------------------|---------|----------------------|---------------------|---------------------|----------------------|------------------|---------------------------|
| DC | 100/110 | 9.1/10 | 11,000 | 80% max. | 10% min. | 110% | 1% |
| | 60 | 15 | 4000 | | | | |
| | 48 | 18.5 | 2600 | | | | |
| | 24 | 36.9 | 650 | | | | |
| | 12 | 75 | 160 | | | | |
| | 6 | 150 | 40 | | | | |

- Notes : 1. Nominal current and coil resistance are measured at +20℃.
 2. Differences of coil resistance are ±10%.
 3. Performance characteristic coil temperature is measured at 20℃.

접점정격 (Contact ratings)

(54VDC기준)

| Item | Type | 1Pole Resistive load (cosφ = 1) |
|--|------|---------------------------------|
| Max. switching current | | 13A |
| Max. switching voltages(With blowouts type) | | DC 54V |
| Max. switching voltages(Without blowouts type) | | DC 125V |
| Voltage drop across contacts per 10A | | 10mV max. |
| Description | | S.P On/Off |

주문방법 (Ordering information)

LY2 - 12 - DH A P

Type

| | | | |
|--------|-----------|------------------------|------------------------------|
| A= 1 a | P= PCB | Coil surge suppressors | |
| B= 1 b | S= Socket | S | Basic type |
| | | Z | transient voltage suppressor |
| | | D | interior diodes |
| | | DR | diodes & resistors |

Coil Rated voltage(DC)

6, 12, 24, 36, 48, 60, 72, 80, 100/110V

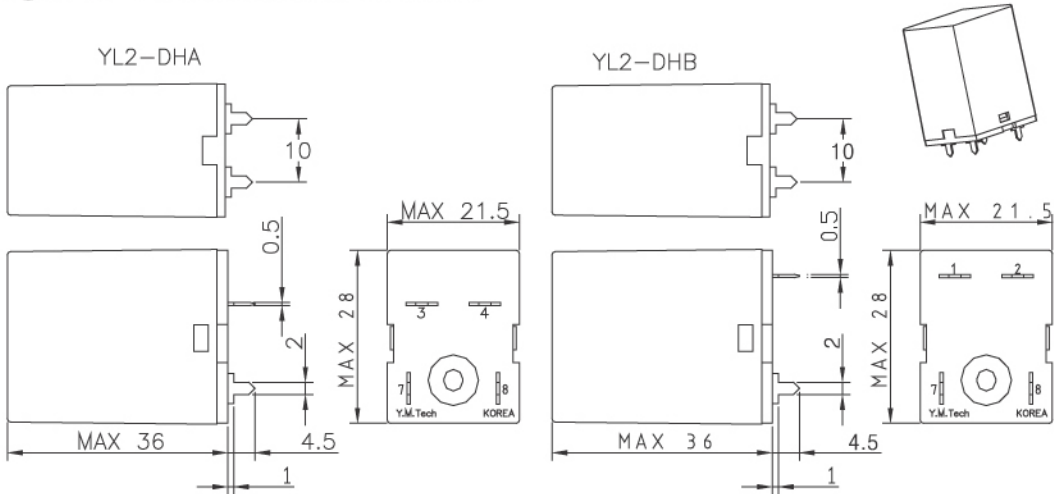


YL2 Series

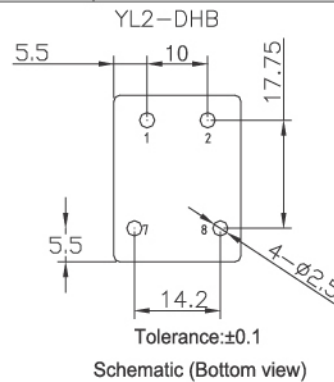
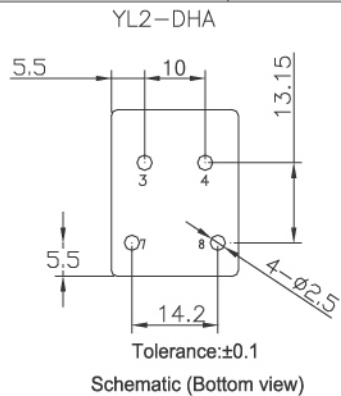
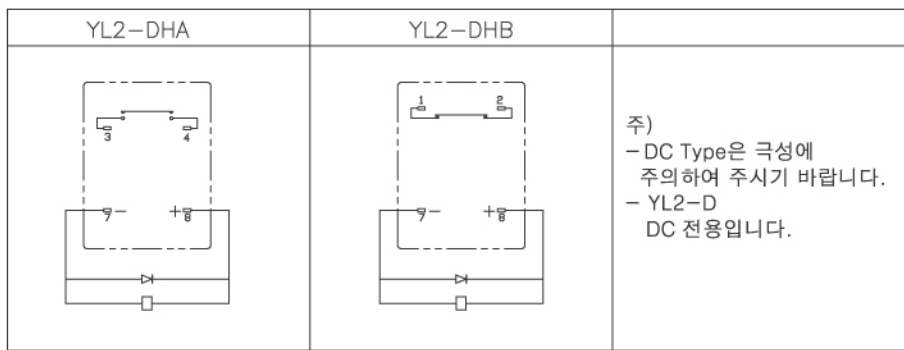
YL2



외형치수도 (Dimension in mm)



단자배치 및 내부접속도



EPS375 Series

EPS375



⊘ 조작사양 (Operating ratings)

| | |
|-----------------|--------------------|
| Operating Force | 2.2Kg Min.(0.23N.) |
| Return Force | 2.2Kg Min.(0.23N.) |
| Pre Travel | 5.85mm |
| Over Travel | 2.5mm |
| Total Travel | 7.8mm |

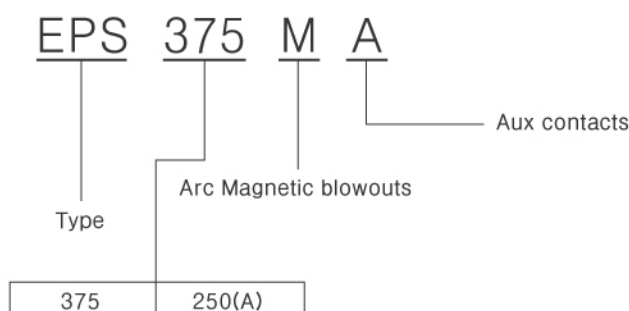
- Notes : 1. Nominal current and coil resistance are measured at +20°C.
 2. Differences of coil resistance are ±10%.
 3. Performance characteristic coil temperature is measured at 20°C.

⊘ 접점정격 (Contact ratings)

(96VDC기준)

| Type | 1Pole Resistive load (cosφ = 1) |
|--|---------------------------------------|
| | EPS375 |
| Max. switching current | 250A |
| Max. switching voltages(With blowouts type) | DC 96V |
| Max. switching voltages(Without blowouts type) | DC 250V |
| Voltage drop across contacts per 100A | 40mV max. |
| Description | S.P On, Off |

⊘ 주문방법 (Ordering information)



EPS375 Series

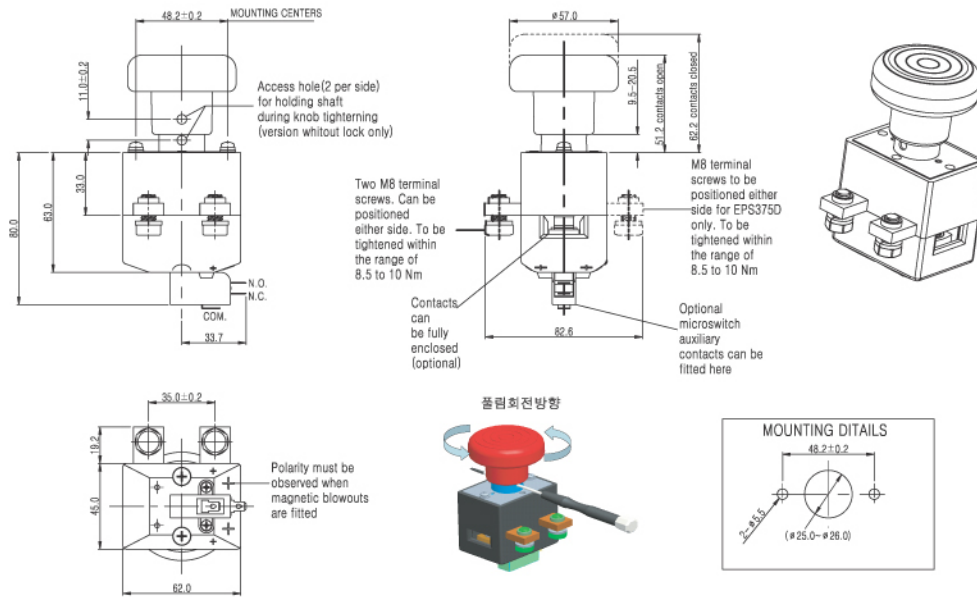


EPS375 Series

EPS375

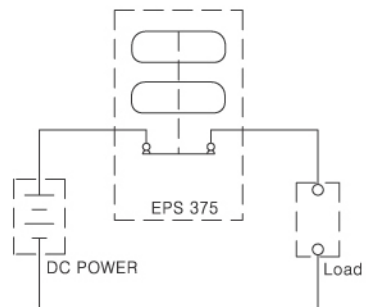
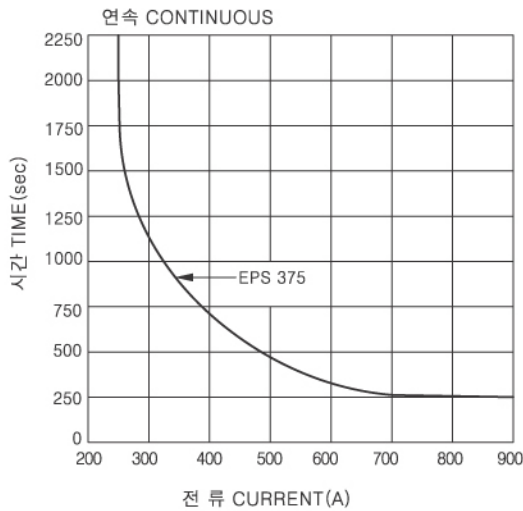


외형치수도 (Dimension in mm)



특성곡선 (Contact performance curve)

투입전류시간 특성곡선
CONTACT PERFORMANCE CURVE (Intermittent ratings)

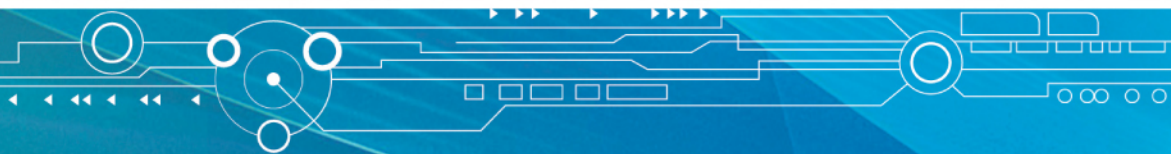


ELECTRICAL SCHEMATIC EPS 375

The best product! The best service!

Y.M. Tech Co., Ltd. is a company specializing in the development and production of Specialized Relay and Contactor Switch including Power Relay, DC Contactor Relay, Latching Relay, and Latch Contactor Switch.





YM YM Tech

84, Naedun-ri, Buk1-myun, Cheongwon-gun, Chungbuk, Korea
Tel : +82-43-212-6651~2 Fax : +82-43-212-6650 E-mail : ymirt@chol.net