

LUMEN louvre

PRECISION LIGHT CONTROL

Lighting Metal Fabric Datasheet LuL-17

Performance & Physical Characteristics - Coated Fabric (MN204E - PPC)

LUMEN louvre inserts are an advanced light control solution that enhances the efficiency, precision, and effectiveness of lighting systems.

Open Area: 80%

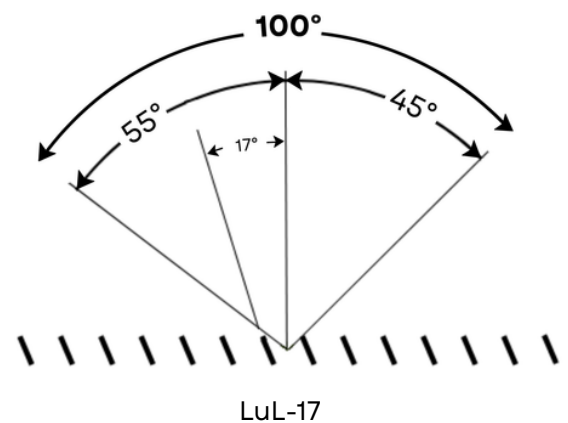
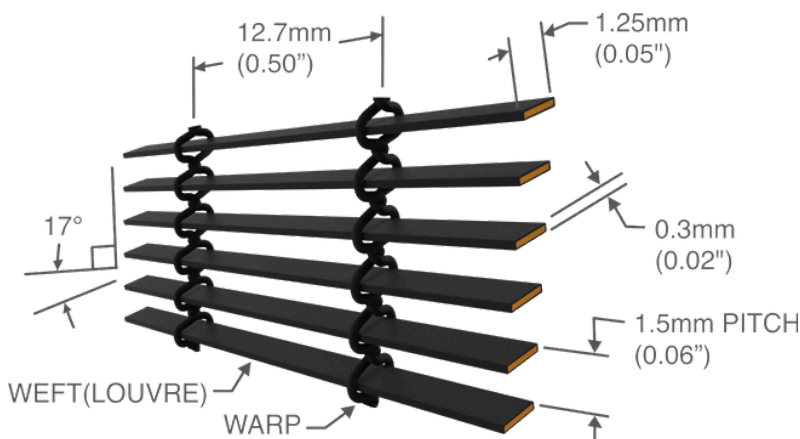
Colour Rendering Index (CRI): 100%

Eclipse Angle: 0° to 35° & 135° to 180° from horizontal

Louvre Angle: 73° from horizontal when horizontally mounted

Fire/Heat Attenuation: 49.4% Compliant up to BAL-40(40kW/m² incident irradiance)

Lumen Output Differential: Black Finish 25% nom. White Finish 35% nom.



Louvre Angle / Light & Vision Occlusion

Weft	(each louvre)	Width	1.25mm +0.0/-0.1mm
		Thickness	0.30mm +0.025/-0.0mm
		Louvre Spacing	1.41mm - 1.49mm
		Louvre Count	17min - 18max per 25.4mm
		Louvre Angle	17° (degrees) from normal plane when vertical
Warp	(each wire)	Diameter	0.310mm max
		Spacing (nominal)	12.7mm
		Fabric thickness O/A	1.55mm ±0.1mm
Weight	(nominal)	per Square Metre	1.1 kg

All angles, weights and dims are nominal

Direct Light

Minimise Glare

Stop Light Spill

Stop Light Trespass

Lighting Design

Control Light Distribution

Visit us:

<https://precisionlightcontrol.com/>