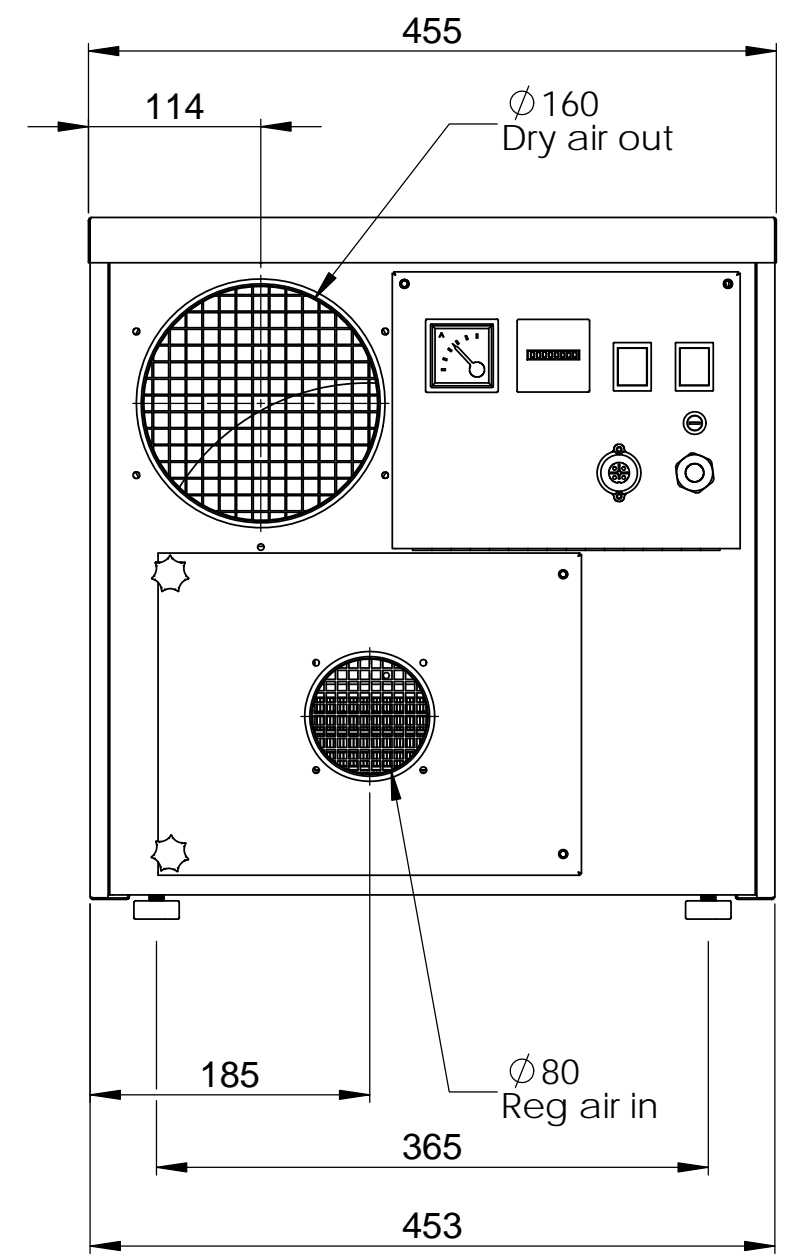
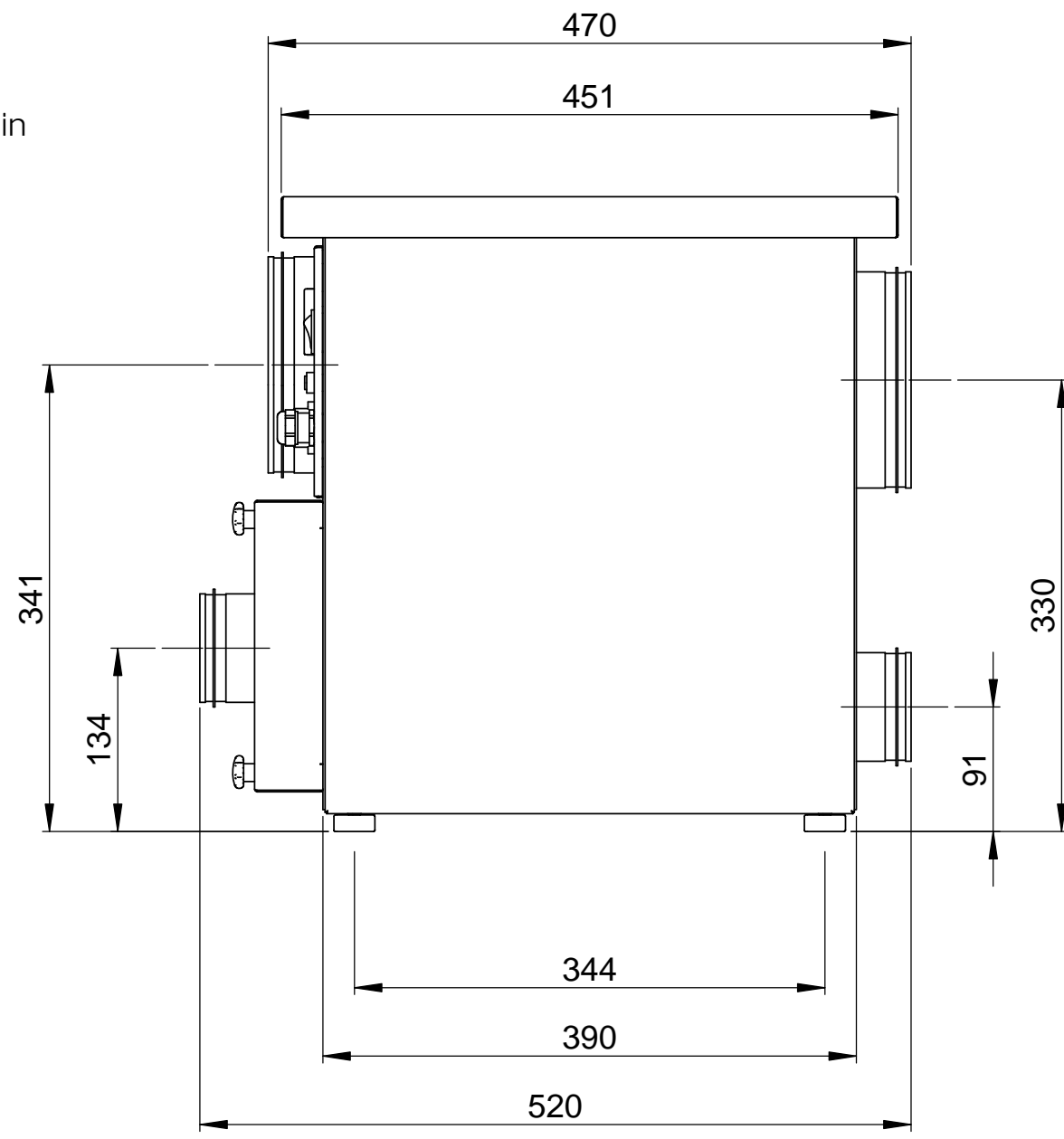
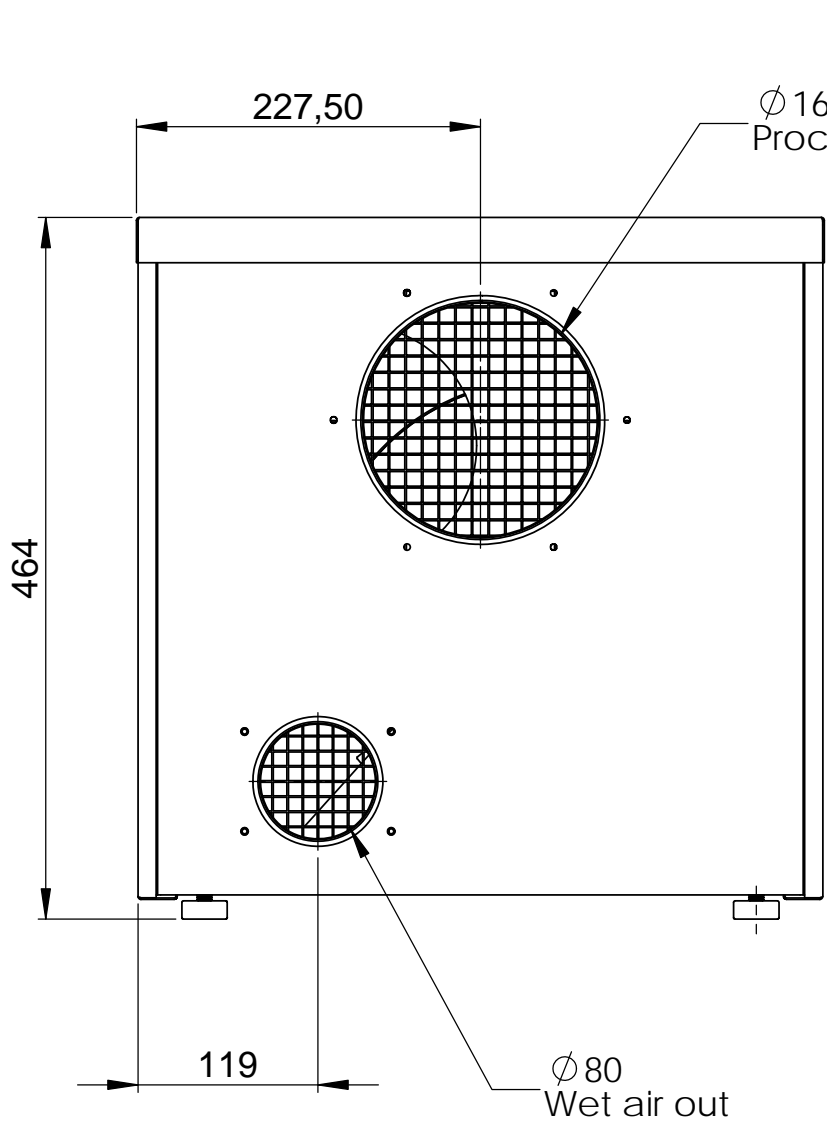


REVISIONS			
REV.	DESCRIPTION	DATE	APPROVED
01	Updated unit weight	2012-12-07	SO



CONTACT US

(+52) 55 4324 7603 / 777 380 2414 / 777 420 2408

Rio Mayo 1477, Int. 11
Cuernavaca, Morelos 62290 - Mexico



Seibu Giken DST AB
+46 8 445 77 20
www.dst-sg.com

Designed by	Stefan O	Date	2011-02-07
Drawn by	Stefan O	Date	2011-02-07
Approved by	-	Date	-
Material	-	Thickness	t=
Status	Construction	Tolerance	ISO 2768-1m
Scale	1:5	Format	A3
Sheet/Sheet	1/5	Rev Part	01
Weight (Kg)	32		

Title/Description		
Dimensionsritning Dimension drawing		
DC-31 T16		
Drawing no	DST02427	Rev
		01

This document and its contents are the exclusive property of DST Seibu Giken and must not be copied, reproduced, transmitted or communicated to any other party or used for purposes not expressly permitted by us.