

Dehumidifer Consorb
CZ-82/102/102L/104 ICE



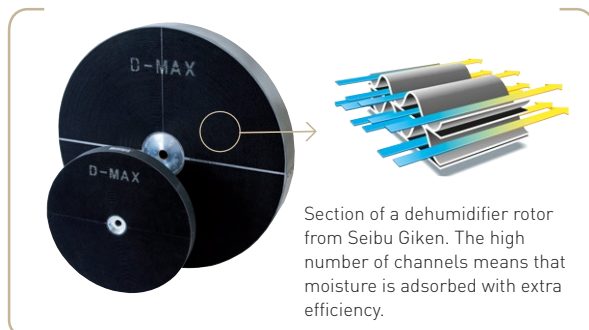
Dehumidifying capacity at 20°C / 60%RH

23,5 - 69 kg/h

Dry air flow

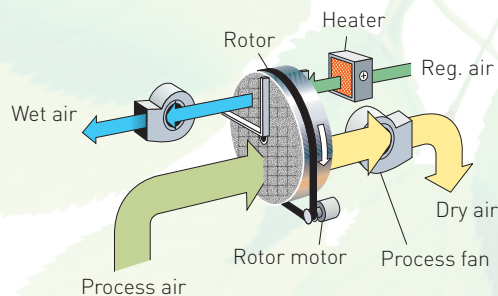
8 000 - 12 000 m³/h

- ✓ Highly efficient D-MAX rotor
- ✓ No desiccant carry-over
- ✓ Suitable for high ambient water contents
- ✓ Long lifetime
- ✓ High dehumidifying capacity at low moisture contents
- ✓ Process fan equipped with frequency converter as standard



TECHNICAL DATA

Dehumidifier model ICE	CZ-82	CZ-102	CZ-102L	CZ-104
Nominal capacity ¹ (kg/h)	23	39	55	69
Dry air flow ² (m ³ /h)	8 000	12 000	12 000	10 000
at static pressure (Pa)	200	200	200	200
Wet air flow ² (m ³ /h)	850	1 400	2 000	2 500
at static pressure (Pa)	200	200	200	200
Heater power ³ (kW)	30	50	74	95
Max. electric consumption (kW)	36,6	59	83,7	106,5
Supply fuse 3x400V 50Hz (A)	63	100	160	200
Weight (kg)	300	380	400	560



¹ Valid for inlet conditions 20°C/60%RH. For other inlet conditions the capacity can be calculated by using the diagram shown below.

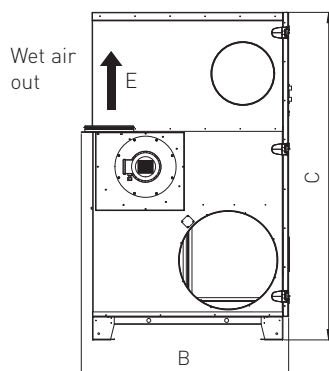
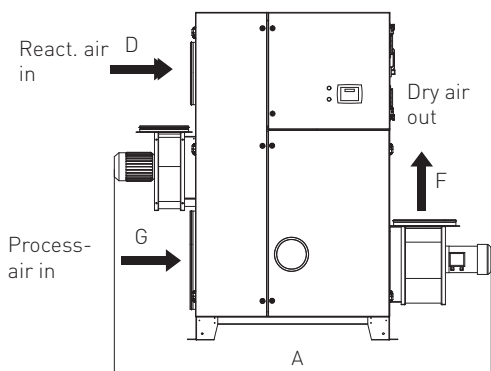
² Volume flow for density 1,20 kg/m³.

³ Electric reactivation heater is standard. Steam and hot water is optional.

CAPACITY TABLE

Capacity (kg/h)	10°C			15°C			20°C		
	30%RH	50%RH	70%RH	30%RH	50%RH	70%RH	30%RH	50%RH	70%RH
CZ-082 ICE	15,0	19,0	22,0	17,0	21,0	23,0	18,5	22,0	23,5
CZ-102 ICE	24,0	32,0	36,0	28,0	35,0	39,0	31,0	37,0	39,0
CZ-102L ICE	27,0	40,0	49,0	34,0	47,0	54,0	40,0	51,0	55,0
CZ-104 ICE	25,0	41,0	57,0	34,0	55,0	67,0	46,0	64,0	69,0

DIMENSIONS



CZ	82	102	102L	104
A	2 840	2 660	2 700	2 890
B	1 065	1 375	1 375	1 265
C	1 905	2 105	2 105	2 105
D	Ø250	Ø400	Ø400	Ø400
E	Ø160	Ø315	Ø315	Ø315
F	786X306	880X338	880X338	880X338
G	Ø400	Ø630	Ø630	Ø630

Subject to change without notice. Download installation drawing at www.dst-sg.com

Seibu Giken DST AB

Avestagatan 33 | 163 53 Spånga, Sweden

Tel +46 8 445 77 20 | Fax +46 8 445 77 39

www.dst-sg.com | info@dst-sg.com

CONTACT US

(+52) 55 4324 7603 / 777 380 2414 / 777 420 2408

Rio Mayo 1477, Int. 11
Cuernavaca, Morelos 62290 - Mexico