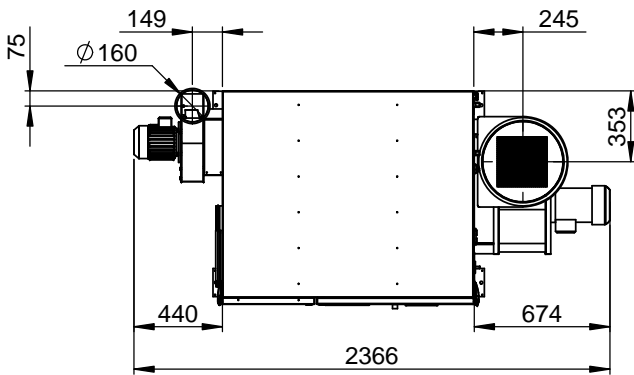
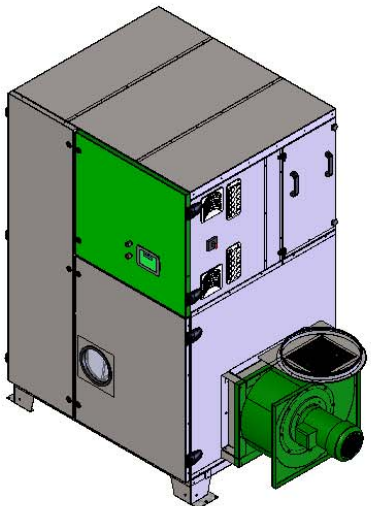
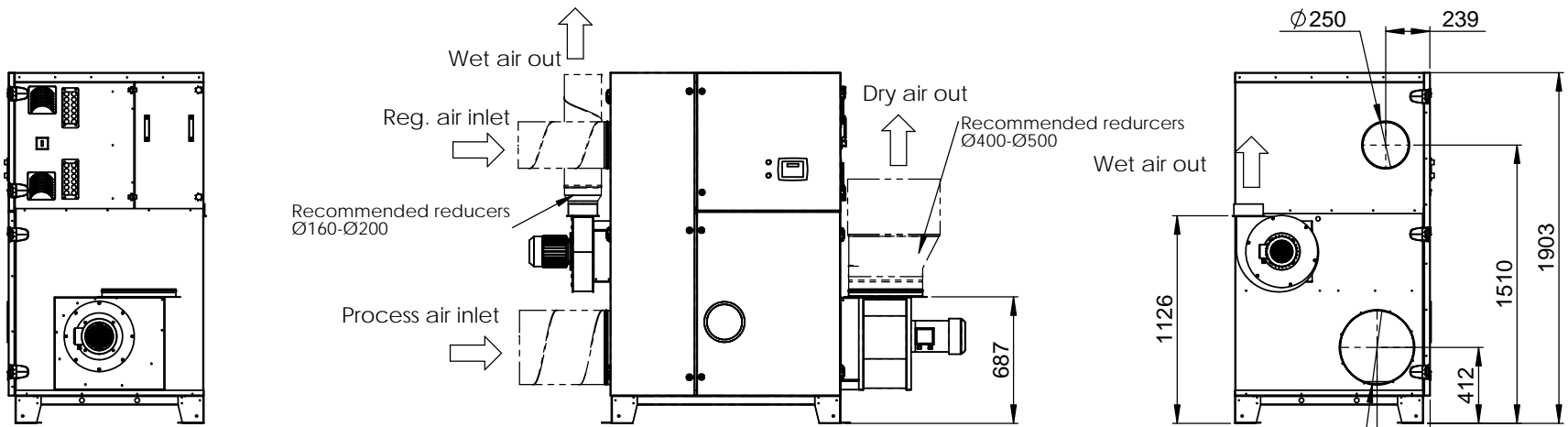


REVISIONS			
REV.	DESCRIPTION	DATE	APPROVED
01	Recommended reducers added	2013-10-29	KS



CONTACT US

(+52) 55 4324 7603 / 777 380 2414 / 777 420 2408

Rio Mayo 1477, Int. 11
Cuernavaca, Morelos 62290 - Mexico

This document and its contents are the exclusive property of DST Seibu Giken and must not be copied, reproduced, transmitted or communicated in any form or by any means without the express permission of us.

	Designed by Catarina S	Date 2011-04-04	Title/Description Installationsritning CZ-82	
	Drawn by Catarina S	Date 2011-04-07	Installation drawing	
Material -		Thickness t=		Drawing no DST02710
Status Construction		Tolerance ISO 2768-1m		Rev 01
Scale 1:25	Format A3	Sheet/Sheet 1/1	Rev Part 01	Weight (Kg) 800.664