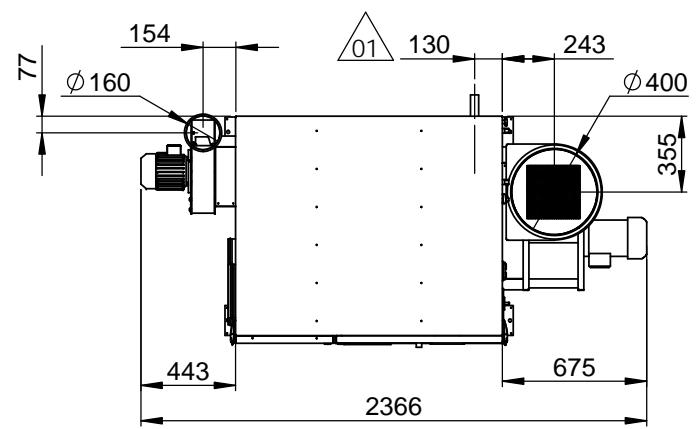
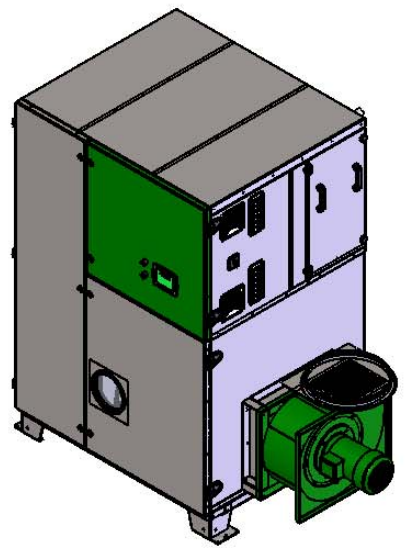
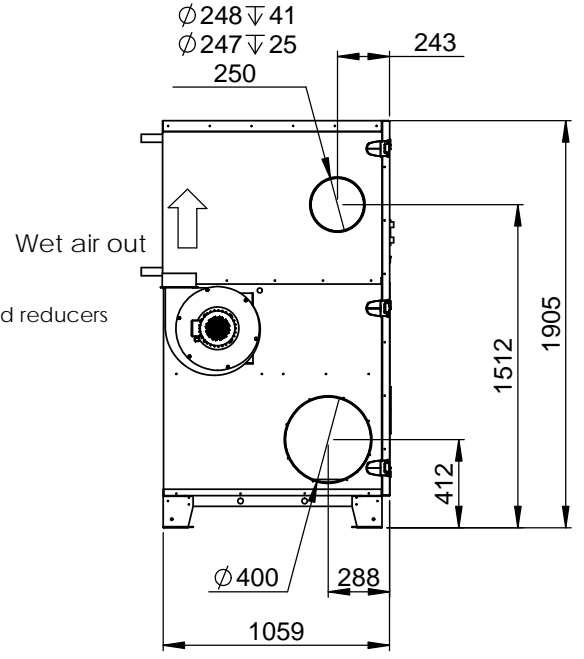
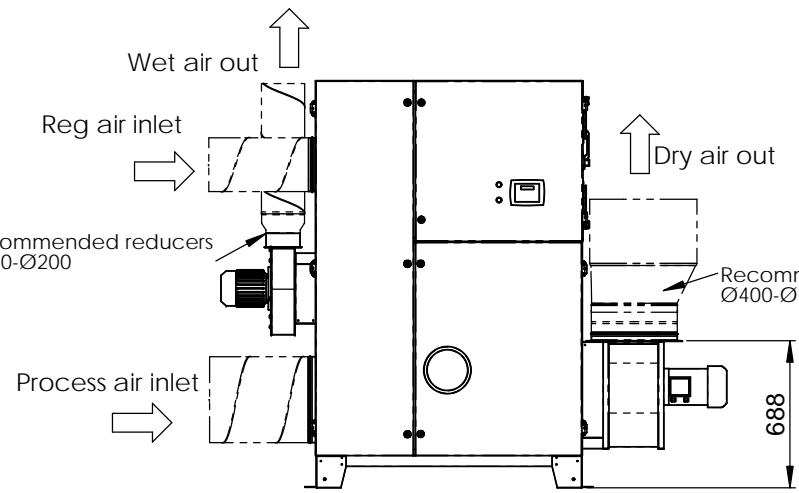
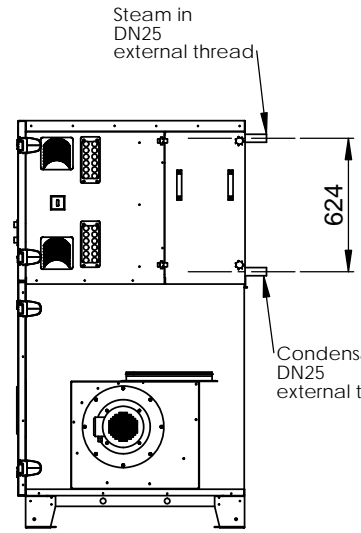


7 REVISIONS		8	
REV.	DESCRIPTION	DATE	APPROVED
01	Dimensions for steam connection changed	2012-09-05	KS
02	Recommended reducers added	2013-10-29	KS



**CONTACT US**

(+52) 55 4324 7603 / 777 380 2414 / 777 420 2408

Rio Mayo 1477, Int. 11  
Cuernavaca, Morelos 62290 - Mexico

This document and its contents are the exclusive property of DST Seibu Giken and must not be copied, reproduced, transmitted or communicated to any other party or used for purposes not expressly permitted by us.



Seibu Giken DST AB  
+46 8 445 77 20  
www.dst-sg.com

Designed by <b>Catarina S</b>	Date 2011-02-10	Title/Description <b>Installationsritning CZ-82S</b> Installation drawing CZ-82S	
Drawn by <b>Catarina S</b>	Date 2011-02-10		
Approved by -	Date -		
Material	Thickness t=		
Status <b>Construction</b>	Tolerance ISO 2768-1m		
Scale 1:25	Format A3	Sheets/Sheet 1/1	Rev Part 02+
		Weight (Kg) 805.685	
Drawing no <b>DST02493</b>		Rev <b>02+</b>	