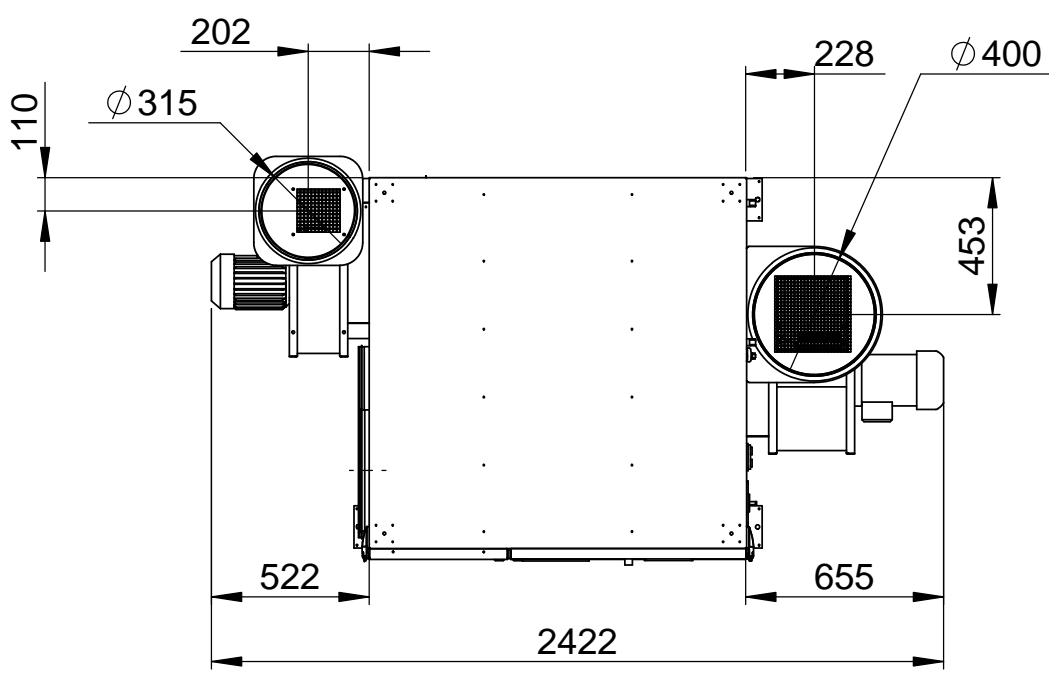
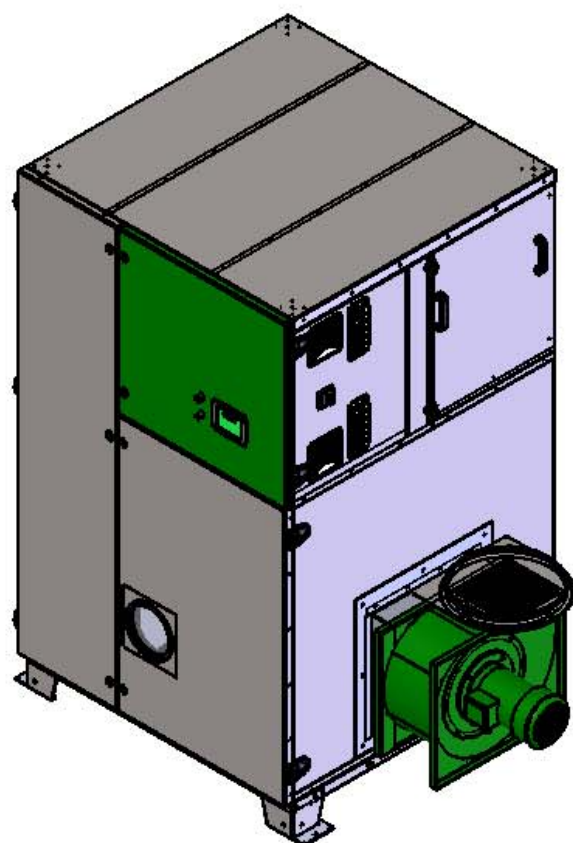
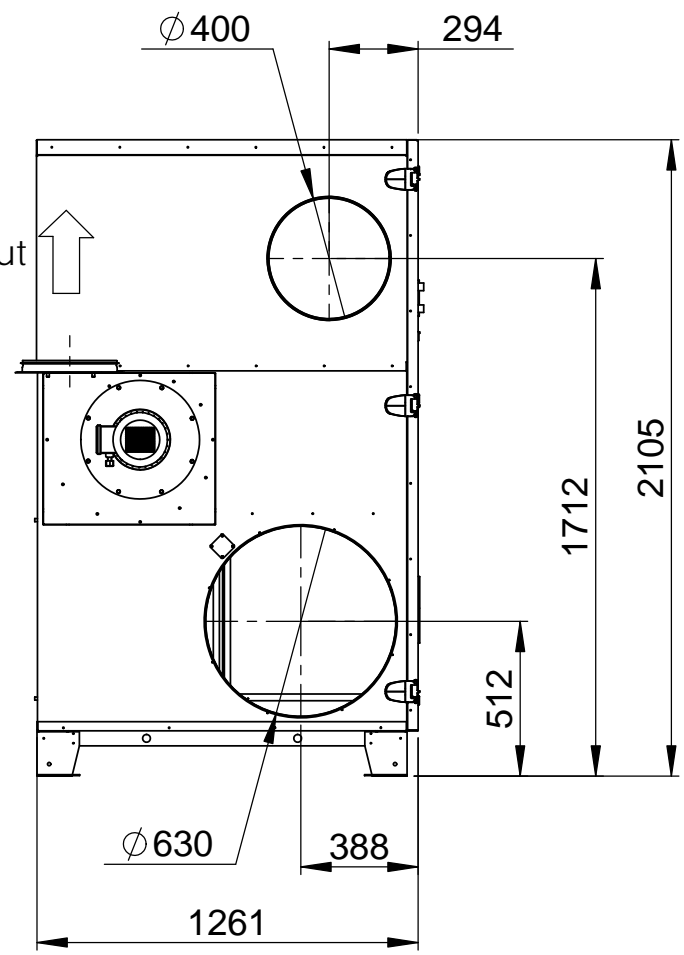
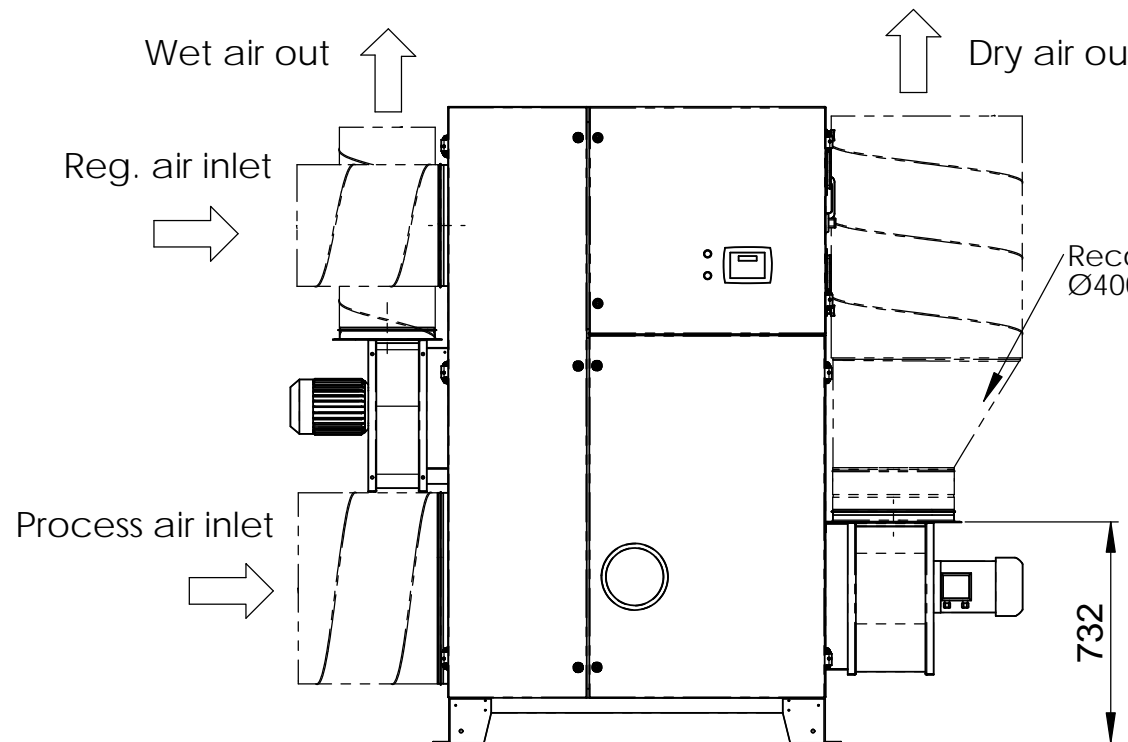
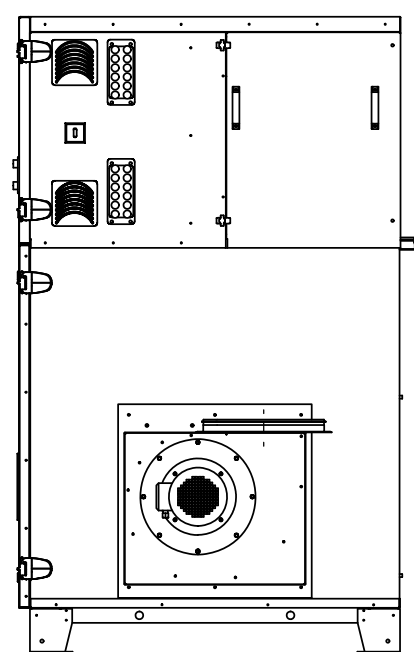


REVISIONS			
REV.	DESCRIPTION	DATE	APPROVED
01	Recommendedn reducer added	2013-10-30	KS
02	Unit weight updated	2016-02-08	EL



CONTACT US

(+52) 55 4324 7603 / 777 380 2414 / 777 420 2408

Rio Mayo 1477, Int. 11
Cuernavaca, Morelos 62290 - Mexico

This document and its contents are the exclusive property of DST Seibu Giken and must not be copied, reproduced, transmitted or communicated to any other party or used for purposes not expressly permitted by us.



Seibu Giken DST AB
+46 8 445 77 20
www.dst-sg.com

Designed by	Catarina S	Date	2011-03-29
Drawn by	Catarina S	Date	2011-05-17
Approved by	-	Date	-
Material		Thickness	t=
Status	Construction	Tolerance	ISO 2768-1m
Scale	1:25	Format	A3
Sheet/Sheet	1/1	Rev Part	02
Weight (Kg)	800.000		

Title/Description	
Installationsritning CZ-102	
Installation drawing	
Drawing no	Rev
DST02680	02