

265W~295W

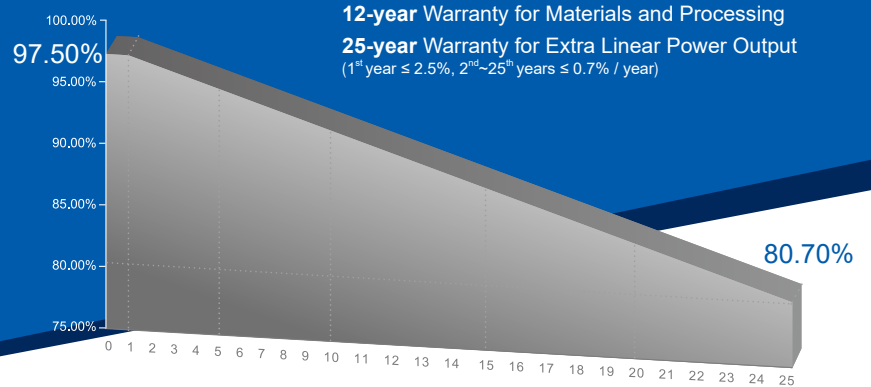
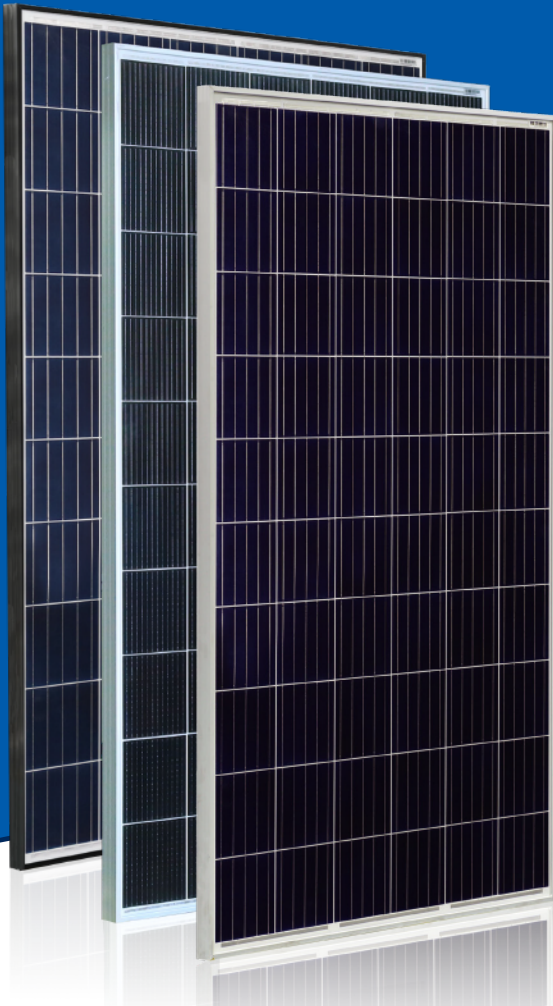
Polycrystalline PV Module

CHSM6610P Series

CHSM6610P/HV Series

CHSM6610P max system voltage 1000V standard

CHSM6610P/HV max system voltage 1500V standard



12-year Warranty for Materials and Processing

25-year Warranty for Extra Linear Power Output
(1st year ≤ 2.5%, 2nd~25th years ≤ 0.7% / year)

* Multi-Busbar Module could be the option

* Optional: Black frame designed for the certain projects and applications (e.g. residential rooftop and so on)

COMPREHENSIVE CERTIFICATES



KEY FEATURES

- +5W OUTPUT POSITIVE TOLERANCE**
Guaranteed 0~+5W positive tolerance ensures power output reliability.
- INNOVATIONAL 5-BUSBAR CELLS**
Reduces the cell series resistance and internal stress, decreases the risk of micro-crack and improves the module output.
- EXCELLENT MECHANICAL LOAD CAPABILITY**
Certified to withstand: snow load (5400 Pa) and wind load (2400 Pa).
- LOW-LIGHT IRRADIANCE**
With the deep textured ARC glass and cell surface texturing process, achieve the excellent performance at the haze, cloudy days and other low light conditions.

Designed for the Australian Market



ASTRONERGY
A CHNT COMPANY

ELECTRICAL SPECIFICATIONS

| | | | | | | | |
|--|--|-------|-------|-------|-------|-------|-------|
| STC rated output (P_{mpp}/Wp)* | 265 | 270 | 275 | 280 | 285 | 290 | 295 |
| Rated voltage (V_{mpp}/V) at STC | 30.92 | 31.08 | 31.12 | 31.20 | 31.38 | 31.55 | 31.63 |
| Rated current (I_{mpp}/A) at STC | 8.58 | 8.70 | 8.85 | 8.99 | 9.09 | 9.20 | 9.34 |
| Open circuit voltage (V_{oc}/V) at STC | 37.87 | 38.00 | 38.45 | 38.69 | 38.94 | 39.18 | 39.42 |
| Short circuit current (I_{sc}/A) at STC | 9.18 | 9.45 | 9.52 | 9.59 | 9.68 | 9.75 | 9.83 |
| Module efficiency | 16.2% | 16.5% | 16.8% | 17.1% | 17.4% | 17.7% | 18.0% |
| Rated output (P_{mpp}/W) at NOCT | 198.8 | 202.5 | 206.3 | 210.0 | 213.8 | 217.5 | 221.3 |
| Rated voltage (V_{mpp}/V) at NOCT | 27.98 | 28.12 | 28.15 | 28.22 | 28.41 | 28.56 | 28.62 |
| Rated current (I_{mpp}/A) at NOCT | 7.10 | 7.20 | 7.33 | 7.44 | 7.52 | 7.62 | 7.73 |
| Open circuit voltage(V_{oc}/V) at NOCT | 34.60 | 34.71 | 35.13 | 35.35 | 35.57 | 35.79 | 36.01 |
| Short circuit current (I_{sc}/A) at NOCT | 7.73 | 7.96 | 8.02 | 8.08 | 8.15 | 8.21 | 8.28 |
| Temperature coefficient (P_{mpp}) | - 0.407%/°C | | | | | | |
| Temperature coefficient (I_{sc}) | +0.049%/°C | | | | | | |
| Temperature coefficient (V_{oc}) | - 0.310%/°C | | | | | | |
| Normal operating cell temperature (NOCT) | 43±2°C | | | | | | |
| Maximum system voltage (IEC) | 1000V _{DC} or 1500V _{DC} | | | | | | |
| Number of diodes | 3 | | | | | | |
| Junction box IP rating | IP 67 | | | | | | |
| Maximum series fuse rating | 15 A | | | | | | |

* Measurement tolerance +/- 3%

STC: Irradiance 1000W/m², Cell Temperature 25°C, AM=1.5

NOCT: Irradiance 800W/m², Ambient Temperature 20°C, AM=1.5, Wind Speed 1m/s

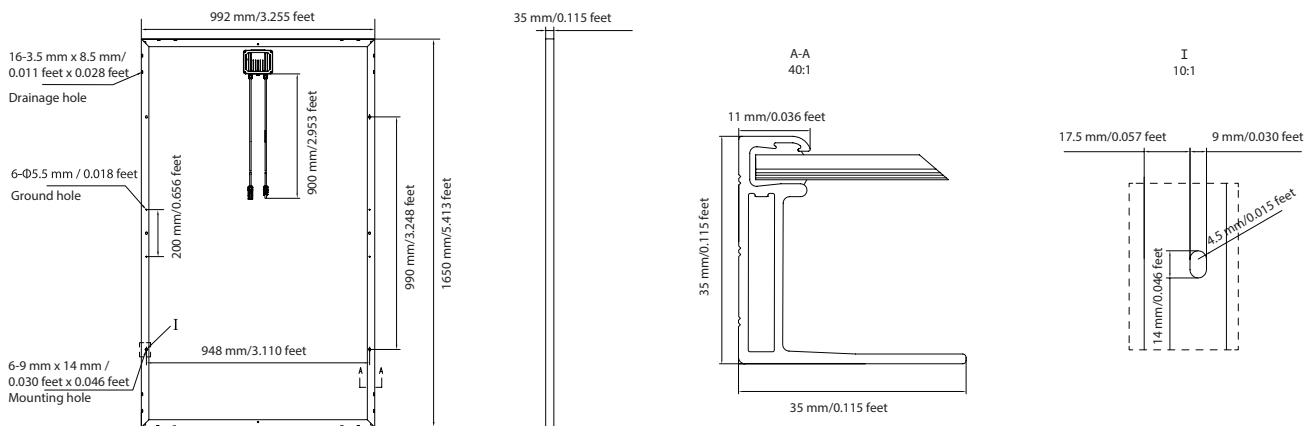
MECHANICAL SPECIFICATIONS

| | |
|--------------------------------|--|
| Outer dimensions (L x W x H) | 1650 x 992 x 35 mm 64.96 x 39.06 x 1.38 in |
| Frame technology | Aluminum, silver / black anodized |
| Module composition | Glass / EVA / Backsheet (white) |
| Front glass thickness | 3.2 mm / 0.13 in |
| ① Cable length (IEC) | 900 mm / 35.43 in |
| Cable diameter (IEC) | 4 mm ² |
| ② Maximum mechanical test load | 5400 Pa (front) / 2400 Pa (back) |
| Fire performance (IEC) | C |
| Connector type (IEC) | MH5(by Minghe) or PV-HCB40(by Chint Solar) or PV-KST4-EVO2/XY,PV-KBT4-EVO2/XY(by Stäubli) |

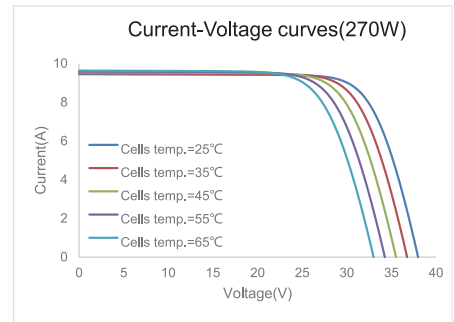
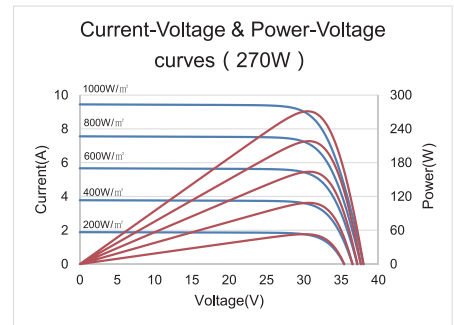
① Option: 900(+)/600(-)mm,1000mm or any other customized length.

② Refer to Astronergy crystalline installation manual or contact technical department.
Maximum Mechanical Test Load=1.5×Maximum Mechanical Design Load.

MODULE DIMENSION DETAILS



CURVE



PACKING SPECIFICATIONS

| | |
|--|---------------------|
| ① Weight (module only) | 18.4 kg / 40.57 lbs |
| ② Packing unit | 31 pcs / box |
| Weight of packing unit (for 40'HQ container) | 609 kg / 1343 lbs |
| Number of modules per 40'HQ container | 868 pcs |

① Tolerance +/- 1.0kg

② Subject to sales contract

Made in Zhejiang, Jiangsu and Anhui of China, Made in Sincan/ Ankara of Turkey

© Chint Solar (Zhejiang) Co., Ltd. Reserves the right of final interpretation, please contact our company to use the latest version for contract.

<http://www.astronergy.com.au>

Astronergy 02-2019