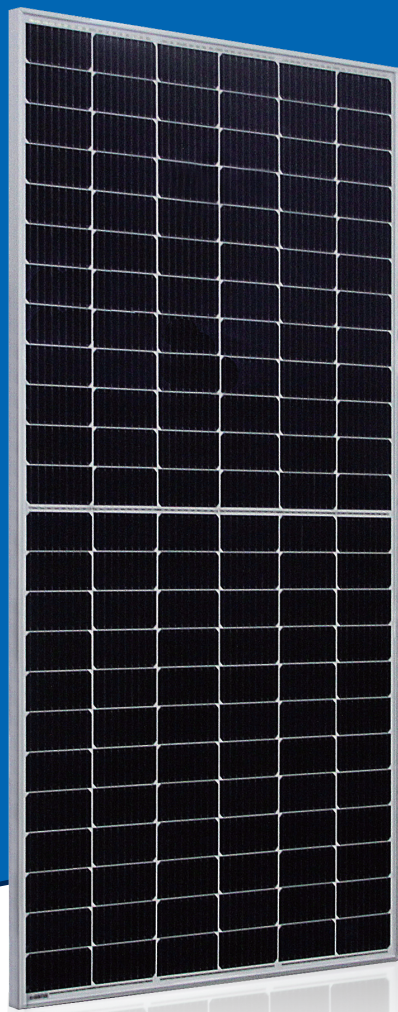


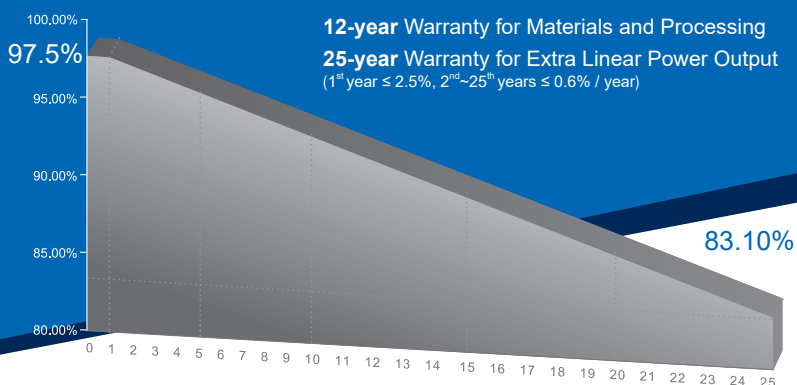
# AstroSemi™

Incredible Power for Small Body



## 435W~455W

Monocrystalline PV Module  
CHSM72M-HC Series (166)



### KEY FEATURES

- +5W OUTPUT POSITIVE TOLERANCE**  
Guaranteed 0~+5W positive tolerance ensures power output reliability.
- INNOVATIONAL HALF-CELL TECHNOLOGY**  
Improves the module output, decreases the risk of micro-crack, enhances the module reliability.
- REDUCE SHADOW LOSS**  
Effectively reduces the effect of shadow on the module surface.
- REDUCE INTERNAL MISMATCH LOSS**  
Reduces mismatch loss and improves output.

### COMPREHENSIVE CERTIFICATES



Special for Australian Market



**ASTRONERGY**  
A CHNT COMPANY

## ELECTRICAL SPECIFICATIONS

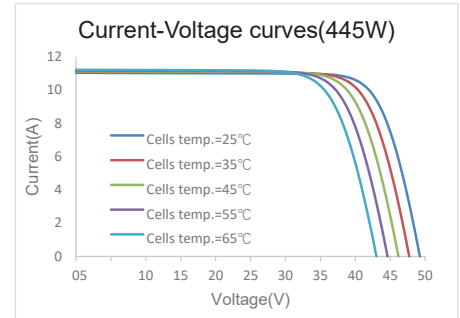
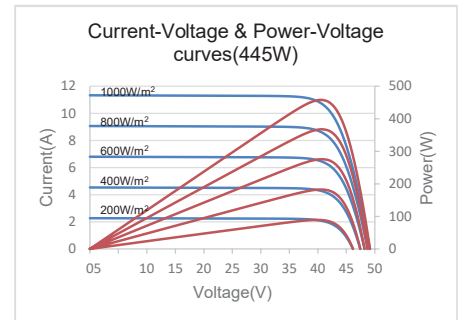
STC rated output ( $P_{mpp}$ )*	435 Wp	440 Wp	445 Wp	450 Wp	455 Wp
Rated voltage ( $V_{mpp}$ ) at STC	40.65 V	40.85 V	41.05 V	41.32 V	41.51 V
Rated current ( $I_{mpp}$ ) at STC	10.70 A	10.77 A	10.84 A	10.89 A	10.96 A
Open circuit voltage ( $V_{oc}$ ) at STC	48.25V	48.50 V	48.80 V	49.05 V	49.35 V
Short circuit current ( $I_{sc}$ ) at STC	11.16 A	11.24 A	11.30 A	11.37 A	11.44 A
Module efficiency	19.7%	20.0%	20.2%	20.4%	20.6%
Rated output ( $P_{mpp}$ ) at NMOT	323.4 Wp	327.1 Wp	330.8 Wp	334.5 Wp	338.2 Wp
Rated voltage ( $V_{mpp}$ ) at NMOT	37.75 V	37.93 V	38.12 V	38.37 V	38.55 V
Rated current ( $I_{mpp}$ ) at NMOT	8.57 A	8.62 A	8.68 A	8.72 A	8.78 A
Open circuit voltage ( $V_{oc}$ ) at NMOT	45.19 V	45.42 V	45.70 V	45.94 V	46.22 V
Short circuit current ( $I_{sc}$ ) at NMOT	8.99 A	9.06 A	9.10 A	9.16 A	9.22 A
Temperature coefficient ( $P_{mpp}$ )	- 0.3528%/°C				
Temperature coefficient ( $I_{sc}$ )	+0.0400%/°C				
Temperature coefficient ( $V_{oc}$ )	- 0.2769%/°C				
Nominal module operating temperature (NMOT)	44±2°C				
Maximum system voltage (IEC/UL)	1500V <sub>DC</sub>				
Number of diodes	3				
Junction box IP rating	IP 67				
Maximum series fuse rating	20 A				

\* Measurement tolerance +/- 3%

STC: Irradiance 1000W/m<sup>2</sup>, Cell Temperature 25°C, AM=1.5

NMOT: Irradiance 800W/m<sup>2</sup>, Ambient Temperature 20°C, AM=1.5, Wind Speed 1m/s

## CURVE



## MECHANICAL SPECIFICATIONS

Outer dimensions (L x W x H)	2108 x 1048 x 35 mm
Frame technology	Aluminum, silver anodized
Module composition	Glass / EVA / Backsheet (white)
Front glass thickness	3.2 mm / 0.13 in
Cable length (IEC/UL)	Portrait: 350 mm (13.78 in) Landscape: 1300 mm (51.18 in)
Cable diameter (IEC/UL)	4 mm <sup>2</sup> / 12 AWG
① Maximum mechanical test load	5400 Pa (front) / 2400 Pa (back)
Fire performance (IEC/UL)	Class C (IEC) or Type 1 (UL)
Connector type (IEC/UL)	PV-CY03L (Logo:CHUANG YUAN) or PV-HCB40(Logo:XINHUI) or MH5 (Logo:MINGHE) or PV-KST4-EVO2/XY-UR,PV-KBT4-EVO2/XY-UR(Logo:MC)

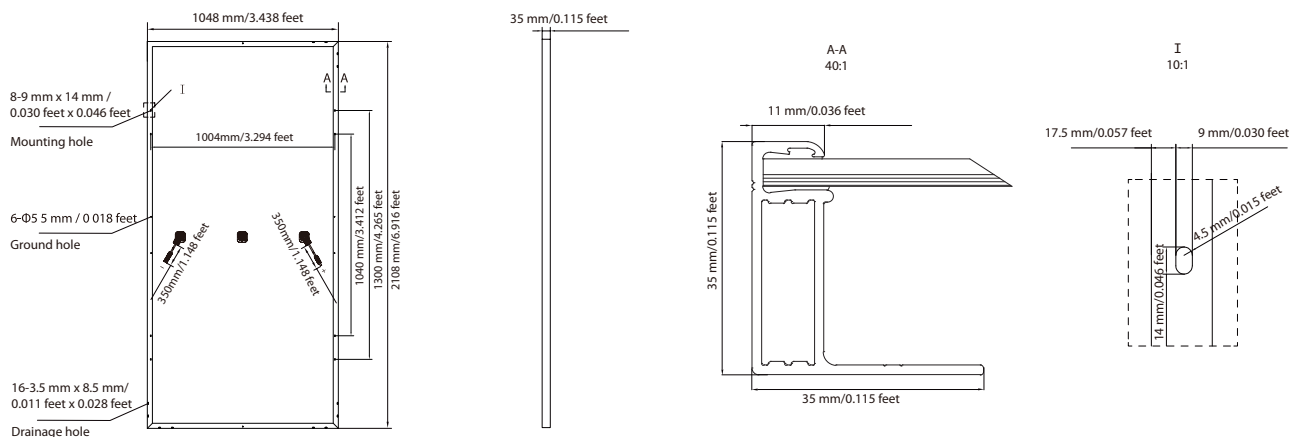
① Refer to Astronergy crystalline installation manual or contact technical department.  
Maximum Mechanical Test Load=1.5×Maximum Mechanical Design Load

## PACKING SPECIFICATIONS

① Weight (module only)	24.0 kg / 52.91 lbs
② Packing unit	31 pcs / box
Weight of packing unit (for 40'HQ container)	791 kg / 1744 lbs
Number of modules per 40'HQ container	682 pcs

① Tolerance +/- 1.0kg  
② Subject to sales contract

## MODULE DIMENSION DETAILS



Made in Zhejiang, Jiangsu and Anhui of China, Made in Sincan/ Ankara of Turkey

© Chint Solar (Zhejiang) Co., Ltd. Reserves the right of final interpretation, please contact our company to use the latest version for contract.

<http://energy.chint.com>