

# ASTRO 5s

Create Sustainable and Efficient Green Energy



ASTRONERGY  
A CHINT COMPANY

## 390W~405W

Monocrystalline PV Module  
CHSM54M(BL)-HC Series (182)



### KEY FEATURES

**+5W**

**OUTPUT POSITIVE TOLERANCE**  
Guaranteed 0~+5W positive tolerance to ensure power output.



**NON-DESTRUCTIVE CUTTING**  
Higher bending strength of cells and mechanical properties of modules.



**INNOVATIONAL MULTI-BUSBAR TECHNOLOGY**  
Higher light absorption, lower risk of microcrack.

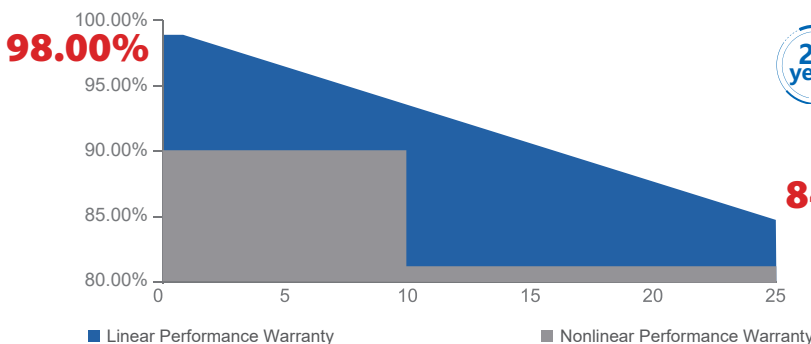


**INNOVATIONAL HALF-CUT TECHNOLOGY**  
Better shading tolerance, higher reliability.



**THE-STATE-OF-THE-ART APPEARANCE**  
Full black designed for a better aesthetic appearance and building integration.

### WARRANTY



**15 years** Warranty for Materials and Processing  
(special for rooftop market)



**25 years** Warranty for Extra Linear Power Output  
(1<sup>st</sup> year ≤ 2.0%, 2<sup>nd</sup>~25<sup>th</sup> years ≤ 0.55% / year)

**84.80%**

Designed for the Australian Market



## ELECTRICAL SPECIFICATIONS

STC rated output ( $P_{mpp}$ )	390 Wp	395 Wp	400 Wp	405 Wp
Rated voltage ( $V_{mpp}$ ) at STC	30.76 V	30.92 V	31.09 V	31.26 V
Rated current ( $I_{mpp}$ ) at STC	12.68 A	12.77 A	12.86 A	12.96 A
Open circuit voltage ( $V_{oc}$ ) at STC	36.60 V	36.80 V	37.00 V	37.20 V
Short circuit current ( $I_{sc}$ ) at STC	13.40 A	13.52 A	13.65 A	13.76 A
Module efficiency	20.2%	20.4%	20.7%	20.9%
Rated output ( $P_{mpp}$ ) at NMOT	291.5 Wp	295.2 Wp	298.9 Wp	302.7 Wp
Rated voltage ( $V_{mpp}$ ) at NMOT	28.66 V	28.82 V	28.98 V	29.13 V
Rated current ( $I_{mpp}$ ) at NMOT	10.17 A	10.24 A	10.32 A	10.39 A
Open circuit voltage ( $V_{oc}$ ) at NMOT	34.59 V	34.78 V	34.97 V	35.15 V
Short circuit current ( $I_{sc}$ ) at NMOT	10.87 A	10.97 A	11.07 A	11.17 A
Temperature coefficient ( $P_{mpp}$ )	- 0.35%/°C			
Temperature coefficient ( $I_{sc}$ )	+ 0.045%/°C			
Temperature coefficient ( $V_{oc}$ )	- 0.27%/°C			
Nominal module operating temperature (NMOT)	41±2°C			
Maximum system voltage (IEC/UL)	1000V <sub>DC</sub>			
Number of diodes	3			
Junction box IP rating	IP 68			
Maximum series fuse rating	25 A			

Power Sorting: 0~+5W

\* Measurement tolerance +/- 3%

STC: Irradiance 1000W/m<sup>2</sup>, Cell Temperature 25°C, AM=1.5

NMOT: Irradiance 800W/m<sup>2</sup>, Ambient Temperature 20°C, AM=1.5, Wind Speed 1m/s

## MECHANICAL SPECIFICATIONS

Outer dimensions (L x W x H)	1708 x 1133 x 30 mm
Frame technology	Aluminum, black anodized
Front glass thickness	3.2 mm
Cable length (IEC/UL)	Portrait: 300 mm Landscape: 1200 mm
Cable diameter (IEC/UL)	4 mm <sup>2</sup> / 12 AWG
① Maximum mechanical test load	5400 Pa (front) / 2400 Pa (back)
Fire performance (IEC/UL)	Class C (IEC) or Type 4 (UL)
Connector type (IEC/UL)	PV-HCB40 or PV-KST4/XY,PV-KBT4/XY,PV-KST4-EVO2/XY-UR,PVKBT4-EVO2/XY-UR(optional)

① Refer to Astronergy crystalline installation manual or contact technical department.

Maximum Mechanical Test Load=1.5×Maximum Mechanical Design Load.

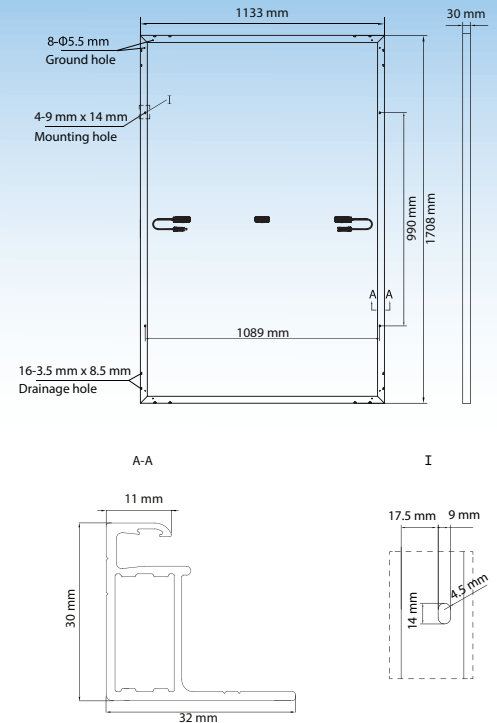
## PACKING SPECIFICATIONS

① Module Weight	21.5 kg
② Packing unit	36 pcs / box
Weight of packing unit (for 40'HQ container)	813 kg
Number of modules per 40'HQ container	936 pcs

① Tolerance +/- 1.0kg

② Subject to sales contract

## MODULE DIMENSION DETAILS



## CURVE

