

ASTRO 5 Semi

Create Sustainable and Efficient Green Energy



ASTRONERGY
A CHINT COMPANY

490W~500W

Monocrystalline PV Module
CHSM66M-HC Series (182)



KEY FEATURES

+5W

OUTPUT POSITIVE TOLERANCE
Guaranteed 0~+5W positive tolerance to ensure power output.



NON-DESTRUCTIVE CUTTING
Higher bending strength of cells and mechanical properties of modules.



HIGH CUSTOMER VALUE
Lower BOS cost and LCOE.



INNOVATIONAL HALF-CUT&MULTI-BUSBAR TECHNOLOGY
Lower risk of microcrack, better shading tolerance, higher reliability.

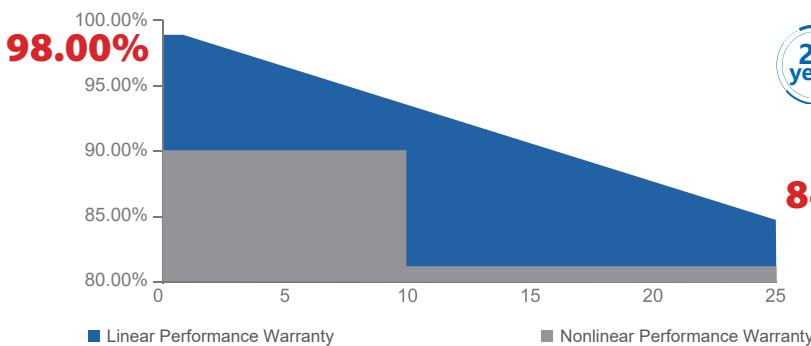


SUPER PERC+ CELL TECHNOLOGY
Higher module power and module efficiency, lower power degradation.



PID RESISTANCE
Excellent PID resistance.

WARRANTY



Warranty for Materials and Processing



Warranty for Extra Linear Power Output
(1st year ≤ 2.0%, 2nd~25th years ≤ 0.55% / year)

84.80%

Designed for the Australian Market



ELECTRICAL SPECIFICATIONS

STC rated output (P_{mpp})	490 Wp	495 Wp	500 Wp
Rated voltage (V_{mpp}) at STC	38.13 V	38.30 V	38.47 V
Rated current (I_{mpp}) at STC	12.85 A	12.92 A	13.00 A
Open circuit voltage (V_{oc}) at STC	45.38 V	45.58 V	45.78 V
Short circuit current (I_{sc}) at STC	13.60 A	13.71 A	13.81 A
Module efficiency	20.9%	21.1%	21.3%
Rated output (P_{mpp}) at NMOT	366.2 Wp	369.9 Wp	373.7 Wp
Rated voltage (V_{mpp}) at NMOT	35.54 V	35.69 V	35.85 V
Rated current (I_{mpp}) at NMOT	10.30 A	10.36 A	10.42 A
Open circuit voltage (V_{oc}) at NMOT	42.88 V	43.07 V	43.26 V
Short circuit current (I_{sc}) at NMOT	11.03 A	11.13 A	11.20 A
Temperature coefficient (P_{mpp})		- 0.35%/°C	
Temperature coefficient (I_{sc})		+ 0.045%/°C	
Temperature coefficient (V_{oc})		- 0.27%/°C	
Nominal module operating temperature (NMOT)		41±2°C	
Maximum system voltage (IEC/UL)		1500V _{DC}	
Number of diodes		3	
Junction box IP rating		IP 68	
Maximum series fuse rating		25 A	

Power Sorting: 0~+5W

* Measurement tolerance +/- 3%

STC: Irradiance 1000W/m², Cell Temperature 25°C, AM=1.5

NMOT: Irradiance 800W/m², Ambient Temperature 20°C, AM=1.5, Wind Speed 1m/s

MECHANICAL SPECIFICATIONS

Outer dimensions (L x W x H)	2073 x 1133 x 35 mm
Frame technology	Aluminum, silver anodized
Front glass thickness	3.2 mm
Cable length (IEC/UL)	Portrait: 300 mm Landscape: 1300 mm
Cable diameter (IEC/UL)	4 mm ² / 12 AWG
① Maximum mechanical test load	5400 Pa (front) / 2400 Pa (back)
Fire performance (IEC/UL)	Class C (IEC) or Type 4 (UL)
Connector type (IEC/UL)	HCB40 or PV-KST4-EVO2/XY-UR, PVKBT4-EVO2/XY-UR(optional)

① Refer to Astronergy crystalline installation manual or contact technical department.

Maximum Mechanical Test Load=1.5×Maximum Mechanical Design Load.

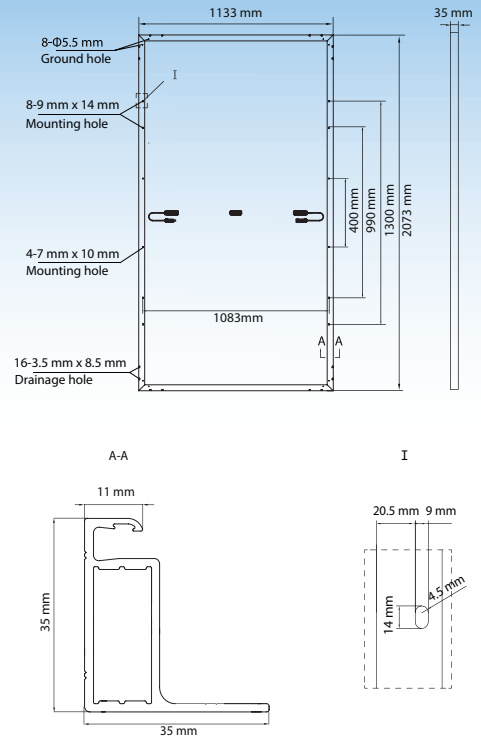
PACKING SPECIFICATIONS

① Module Weight	25.1 kg
② Packing unit	31 pcs / box
Weight of packing unit (for 40'HQ container)	814 kg
Number of modules per 40'HQ container	682 pcs

① Tolerance +/- 1.0kg

② Subject to sales contract

MODULE DIMENSION DETAILS



CURVE

