

ASTRO 6 Semi

Create Sustainable and Efficient Green Energy



ASTRONERGY
A CHINT COMPANY

660W~675W

Monocrystalline PV Module CHSM66M-HC Series (210)



KEY FEATURES

+5W

OUTPUT POSITIVE TOLERANCE
Guaranteed 0~+5W positive tolerance to ensure power output.



NON-DESTRUCTIVE CUTTING
Higher bending strength of cells and mechanical properties of modules.



HIGH CUSTOMER VALUE
Lower BOS cost and LCOE.

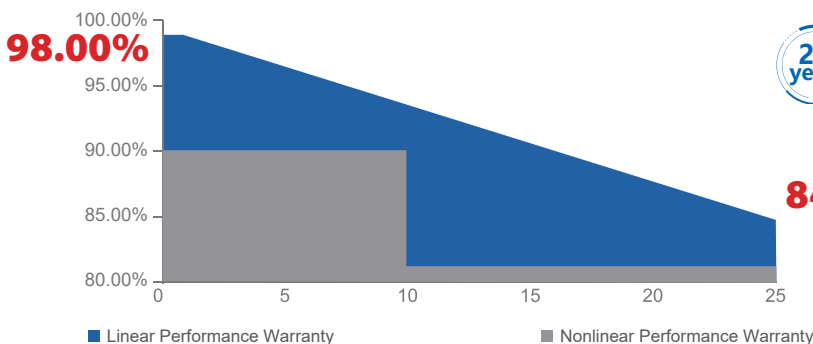


INNOVATIONAL HALF-CUT&MULTI-BUSBAR TECHNOLOGY
Lower risk of microcrack, better shading tolerance, higher reliability.



SUPER PERC+ CELL TECHNOLOGY
Higher module power and module efficiency, lower power degradation.

WARRANTY



Warranty for Materials and Processing



Warranty for Extra Linear Power Output
(1st year ≤ 2.0%, 2nd~25th years ≤ 0.55% / year)

84.80%

Preliminary
Designed for the Australian Market



ELECTRICAL SPECIFICATIONS

STC rated output (P_{mpp})	660 Wp	665 Wp	670 Wp	675 Wp
Rated voltage (V_{mpp}) at STC	37.85 V	38.05 V	38.23 V	38.42 V
Rated current (I_{mpp}) at STC	17.45 A	17.50 A	17.54 A	17.58 A
Open circuit voltage (V_{oc}) at STC	45.68 V	45.88 V	46.08 V	46.28 V
Short circuit current (I_{sc}) at STC	18.53 A	18.58 A	18.63 A	18.68 A
Module efficiency	21.2%	21.4%	21.6%	21.7%
Rated output (P_{mpp}) at NMOT	493.2 Wp	497.0 Wp	500.7 Wp	504.4 Wp
Rated voltage (V_{mpp}) at NMOT	35.28 V	35.46 V	35.63 V	35.81 V
Rated current (I_{mpp}) at NMOT	13.99 A	14.03 A	14.06 A	14.10 A
Open circuit voltage (V_{oc}) at NMOT	43.17 V	43.36 V	43.55 V	43.73 V
Short circuit current (I_{sc}) at NMOT	15.03 A	15.07 A	15.11 A	15.15 A
Temperature coefficient (P_{mpp})		- 0.34%/°C		
Temperature coefficient (I_{sc})		+ 0.04%/°C		
Temperature coefficient (V_{oc})		- 0.25%/°C		
Nominal module operating temperature (NMOT)		43±2°C		
Maximum system voltage (IEC/UL)		1500V _{DC}		
Number of diodes		3		
Junction box IP rating		IP 68		
Maximum series fuse rating		30 A		

Power Sorting: 0~+5W

* Measurement tolerance +/- 3%

STC: Irradiance 1000W/m², Cell Temperature 25°C, AM=1.5

NMOT: Irradiance 800W/m², Ambient Temperature 20°C, AM=1.5, Wind Speed 1m/s

MECHANICAL SPECIFICATIONS

Outer dimensions (L x W x H)	2384 x 1303 x 35 mm
Frame technology	Aluminum, silver anodized
Front glass thickness	3.2 mm
Cable length (IEC/UL)	Portrait: 350 mm Landscape: 1400 mm
Cable diameter (IEC/UL)	4 mm ² / 12 AWG
① Maximum mechanical test load	5400 Pa (front) / 2400 Pa (back)
Fire performance (IEC/UL)	Class C (IEC) or Type 4 (UL)
Connector type (IEC/UL)	HCB40 or PV-KST4-EVO2/XY-UR, PVKBT4-EVO2/XY-UR(optional)

① Refer to Astronergy crystalline installation manual or contact technical department.
Maximum Mechanical Test Load=1.5×Maximum Mechanical Design Load.

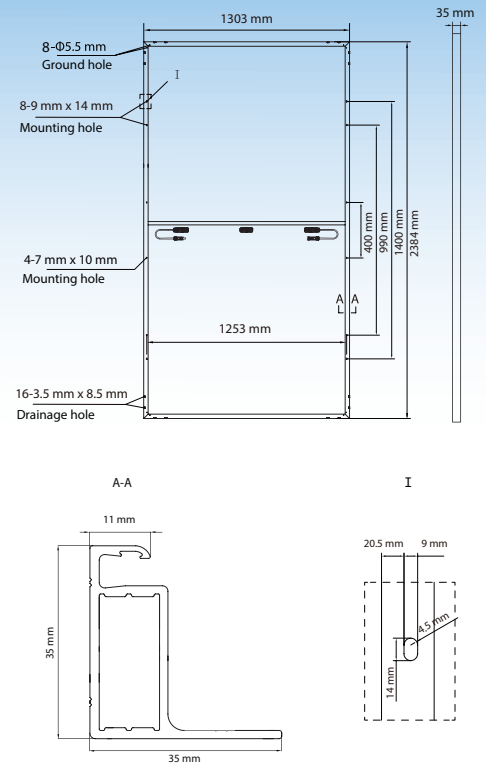
PACKING SPECIFICATIONS

① Module Weight	34.8 kg
② Packing unit	31 pcs / box
Weight of packing unit (for 40'HQ container)	1119 kg
Number of modules per 40'HQ container	527 pcs

① Tolerance +/- 1.0kg

② Subject to sales contract

MODULE DIMENSION DETAILS



CURVE

