



340W~370W

5BB-Monocrystalline PV Module

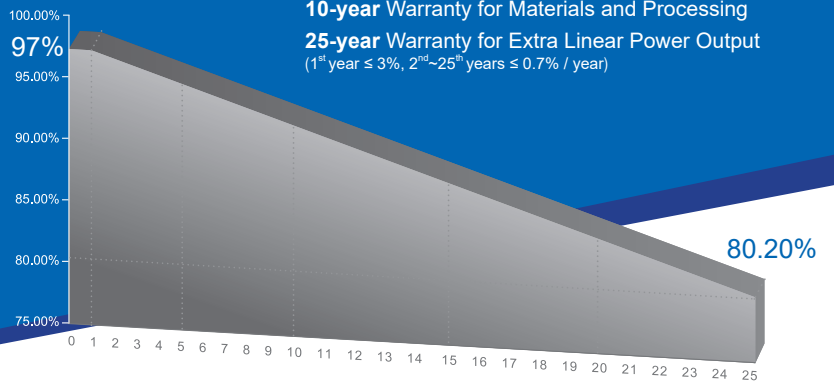
CHSM6612M Series

CHSM6612M/HV Series

CHSM6612M max system voltage 1000V standard

CHSM6612M/HV max system voltage 1500V standard

Tier 1 Bloomberg	No.1 PHOTON	MunichRe Insured	DNV GL 2018 TOP Performance
----------------------------	-----------------------	---------------------	--



COMPREHENSIVE CERTIFICATES



First solar company which passed the TUV Nord IEC/TS 62941 certification audit.

KEY FEATURES

- OUTPUT POSITIVE TOLERANCE**
 Guaranteed 0~+5W positive tolerance ensures power output reliability.
- INNOVATIONAL 5-BUSBAR CELLS**
 Reduces the cell series resistance and internal stress, decreases the risk of micro-crack and improves the module output.
- EXCELLENT MECHANICAL LOAD CAPABILITY**
 Certified to withstand: snow load (5400 Pa) and wind load (2400 Pa).
- LOWER TEMPERATURE COEFFICIENT**
 Improved temperature coefficient decreases power loss in the high temperature application.

Designed for the Australian Market



ELECTRICAL SPECIFICATIONS

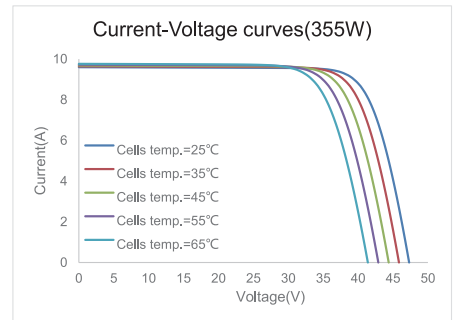
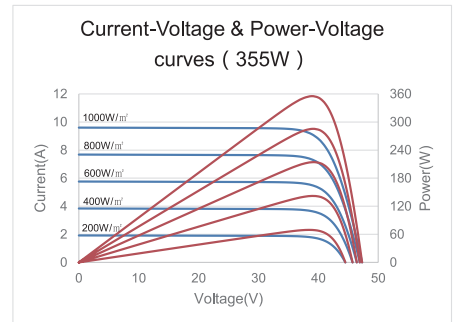
STC rated output (P_{mpp})*	340 Wp	345 Wp	350 Wp	355 Wp	360 Wp	365 Wp	370 Wp
Rated voltage (V_{mpp}) at STC	38.08 V	38.34 V	38.58 V	38.82 V	39.14 V	39.38 V	39.56 V
Rated current (I_{mpp}) at STC	8.93 A	9.01 A	9.08 A	9.15 A	9.20 A	9.27 A	9.36 A
Open circuit voltage (V_{oc}) at STC	46.38 V	46.70 V	47.01 V	47.31 V	47.62 V	47.82 V	48.36 V
Short circuit current (I_{sc}) at STC	9.41 A	9.48 A	9.53 A	9.60 A	9.66 A	9.75 A	9.91 A
Module efficiency	17.6%	17.8%	18.1%	18.4%	18.6%	18.9%	19.1%
Rated output (P_{mpp}) at NOCT	250.4 Wp	254.1 Wp	257.8 Wp	261.5 Wp	265.1 Wp	268.8 Wp	272.5 Wp
Rated voltage (V_{mpp}) at NOCT	35.14 V	35.36 V	35.58 V	35.81 V	36.13 V	36.36 V	36.50 V
Rated current (I_{mpp}) at NOCT	7.13 A	7.19 A	7.24 A	7.30 A	7.34 A	7.39 A	7.47 A
Open circuit voltage (V_{oc}) at NOCT	43.00 V	43.30 V	43.59 V	43.87 V	44.15 V	44.34 V	44.84 V
Short circuit current (I_{sc}) at NOCT	7.56 A	7.62 A	7.66 A	7.71 A	7.76 A	7.83 A	7.96 A
Temperature coefficient (P_{mpp})	- 0.376%/°C						
Temperature coefficient (I_{sc})	+0.043%/°C						
Temperature coefficient (V_{oc})	- 0.282%/°C						
Normal operating cell temperature (NOCT)	46±2°C						
Maximum system voltage (IEC)	1000V _{DC} or 1500V _{DC}						
Number of diodes	3						
Junction box IP rating	IP 67						
Maximum series fuse rating	15 A						

* Measurement tolerance +/- 3%

STC: Irradiance 1000W/m², Cell Temperature 25°C, AM=1.5

NOCT: Irradiance 800W/m², Ambient Temperature 20°C, AM=1.5, Wind Speed 1m/s

CURVE



MECHANICAL SPECIFICATIONS

Outer dimensions (L x W x H)	1954 x 990 x 40 mm 76.93 x 38.98 x 1.57 in
Frame technology	Aluminum, silver anodized
Module composition	Glass / EVA / Backsheet (white)
Front glass thickness	3.2 mm / 0.13 in
① Cable length (IEC)	1150 mm / 45.28 in
Cable diameter (IEC)	4 mm ²
② Maximum mechanical test load	5400 Pa (front) / 2400 Pa (back)
Fire performance (IEC)	C
Connector type (IEC)	MH5(by Minghe) or PV-HCB40(by Chint Solar) or PV-KST4-EVO2/XY(by Stäubli) or PV-KBT4-EVO2/XY(by Stäubli)

① Option: 900(+)/600(-) mm for defined projects in advance.

② Refer to Astronergy crystalline installation manual or contact technical department.
Maximum Mechanical Test Load=1.5×Maximum Mechanical Design Load.

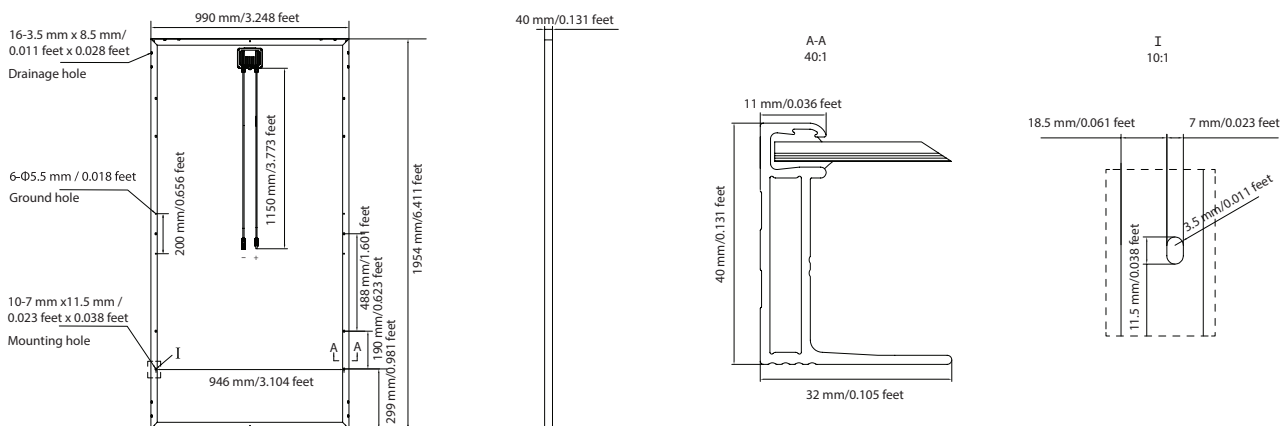
PACKING SPECIFICATIONS

① Weight (module only)	21.8 kg / 48.06 lbs
② Packing unit	27 pcs / box
Weight of packing unit (for 40'HQ container)	646 kg / 1424 lbs
Number of modules per 40'HQ container	648 pcs

① Tolerance +/- 1.0kg

② Subject to sales contract

MODULE DIMENSION DETAILS



Made in Zhejiang, Jiangsu and Anhui of China, Made in Sincan/ Ankara of Turkey

© Chint Solar (Zhejiang) Co., Ltd. Reserves the right of final interpretation, please contact our company to use the latest version for contract.

<http://www.astronergy.com.au>