



## ALX-UD - Up-Blast Direct Drive Roof Fans

Ideal for exhausting air from restaurants, offices, warehouses or commercial buildings. The ALX series spun aluminum exhaust fan can be used as either a roof top or wall mount exhaust fan.

ALX-UD Upblast  
Direct Drive Spun  
Alum Exhauster



- Spun aluminum housing will not rust, chip or peel.
- Aluminum backward inclined wheel is non-overloading.
- Available with PSC or EC motors.
- Variable speed PSC motors available on ALX 105/120/135.
- All motors are 1 Phase 120/240V operation and can be operated at 50 or 60 Hz.
- All units can be wall mounted.
- Quick release latches for easy motor access.

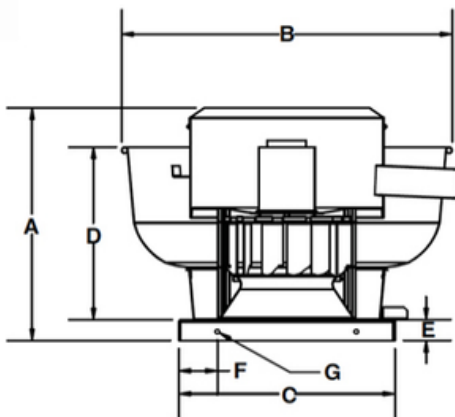
### PERFORMANCE SPECIFICATIONS & CFM RATINGS

UNIT	MOTOR			AIRFLOW (CFM) @ STATIC PRESSURE															
	HP	Variable Speed	Max RPM	0.0"		.25"		.5"		.75"		1.00"		1.25"		1.5"		2.0"	
				High	Low	High	Low	High	Low	High	Low	High	Low	High	Low	High	Low	High	Low
ALX090-UD008V***	1/12	Y	1650	525	275	425	100	340	100	-	-	-	-	-	-	-	-	-	-
ALX105-UD013V	1/8	Y*	1650	950	526	850	451	725	300	-	-	-	-	-	-	-	-	-	
ALX120-UD033V	1/3	Y*	1650	1400	977	1300	826	1175	751	1050	601	850	451	-	-	-	-	-	
ALX135-UD050V	3/4	Y	1650	1950	-	1900	-	1800	-	1650	-	1550	-	1400	-	1300	-	-	
ALX150-UD100S	1	N	1650	2450	-	2375	-	2275	-	2150	-	2050	-	1875	-	1700	-	-	
ALX165-UD150S	1 1/2	N	1650	3400	-	3300	-	3200	-	3000	-	2900	-	2800	-	2600	-	2200	

\* Using MC5 (for 115V or MC5-230 (for 230V)

\*\*\* UL705 Only

Model	Motor			Airflow (CFM) @ Static Pressure															
	HP	Variable Speed	Max RPM	0" SP		1/4" SP		1/2" SP		3/4" SP		1" SP		1-1/4" SP		1-1/2" SP		1-3/4" SP	
				CFM	FEI	CFM	FEI	CFM	FEI	CFM	FEI	CFM	FEI	CFM	FEI	CFM	FEI	CFM	FEI
ALX150-UD100S	1	N	1650	2450	0.45	2375	0.67	2275	0.85	2150	1.01	2050	1.16	1875	1.25	1700	1.31	-	-



MODEL	DIMENSIONS (INCHES)										WEIGHT (lbs)
	A	B	C	C2	D	E	F	G Ø	Wheel Diameter	Roof Opening	
ALX090-UD**	14.25	17.75	19.00	-	9.50	2.00	-	-	9.00	13.00	30
ALX105-UD	18.00	25.00	19.00	21.00	13.00	1.50	3.50	0.38	10.50	15.00	35
ALX120-UD	19.00	25.00	19.00	21.00	13.00	1.50	3.50	0.38	12.25	15.00	37
ALX135-UD	22.25	32.13	21.00	24.75	17.13	2.00	3.75	0.44	13.50	17.00	53
ALX150-UD	23.13	32.13	21.00	24.75	17.13	2.00	3.75	0.44	15.00	17.00	58
ALX165-UD	27.13	37.50	24.75	28.00	21.13	2.00	4.00	0.44	16.50	20.75	100