



AZ-POC

SUPPLY AIR DAMPER 3-WIRE POWER OPEN/POWER CLOSE

The AZ-POC-series low pressure two-position damper was developed for precise control of supply air in the HVAC duct system. The solid aluminum shaft provides a lifetime of service. The damper actuator with built-in LED lights is designed for years of care-free operation. The power open/power close design guarantees precise control of supply air into each zone. Poron® rubber blade edges provides a positive seal for the blade. Our gasketed damper blade is designed to compensate when installation conditions are not exact, and the damper is not perfectly round. Long-life nylon bushings insure a quiet, low friction operation of the damper. Heavy-duty galvanized steel ribbed cylinder provides strength to keep the damper round. One crimped end and one straight end allows for flexible installation. 30-Second operation to full open or closed position. A minimum open position can be set to bleed air for ventilation or duct balancing.

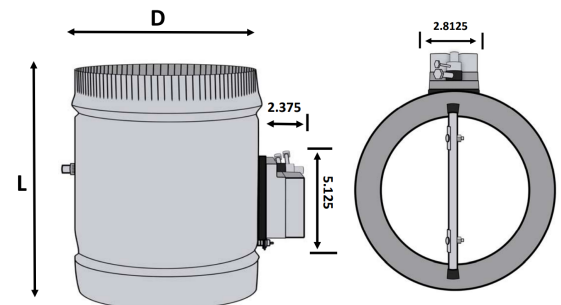


- DEPENDABLE POWER OPEN/POWER CLOSE/MODULATING
- LED INDICATORS FOR FULL OPEN AND CLOSED POSITIONS
- LED INDICATORS FLASH WHEN BLADE IS MOVING
- INSULATION PAD UNDER MOTOR AVAILABLE SIZES: 6", 7", 8", 9", 10", 12", 14", 16", 18" & 20"
- LONG-LIFE ACTUATOR
- 5 YEAR FACTORY WARRANTY

SPECIFICATIONS

POWER	24VAC, 2 VA typical (3 VA Max)
ACTUATOR	XCI POCJ Brushless Motor Design 18 in-lb Torque Power-Open/Power-Close 30 Second Operation Cycle Max 90 Degree Travel
INDICATOR	LED Indicates Full Open or Close
WIRING	3 Screw Terminals PO, PC, Common Use 18/3 Solid Core Wire

PART NUMBER	D CYLINDER DIAMETER (INCHES)	L CYLINDER LENGTH (INCHES)
POC06	6	12
POC07	7	12
POC08	8	12
POC09	9	12
POC10	10	12
POC12	12	12
POC14	14	14
POC16	16	16
POC18	18	18
POC20	20	20
6" THRU 10" - 24 ga. G90 Galvanized		
12" thru 20" - 22 ga. G90 Galvanized		



ALL RIGHTS RESERVED TO D-VAC SALES INC.
 200B VERDI STREET, FARMINGDALE NY 11735
SALES@DVACHVAC.COM
 516-256-3131

