

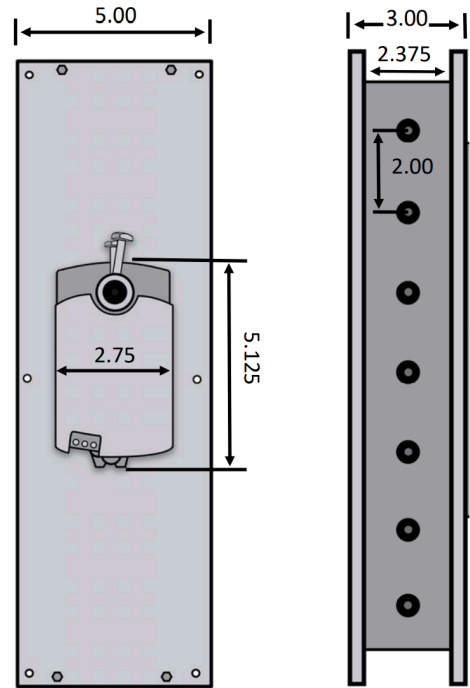
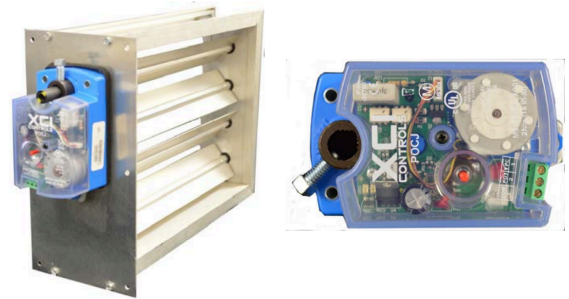


AZ-RPOCA

SUPPLY AIR DAMPER 3-WIRE POWER
OPEN/POWER CLOSE

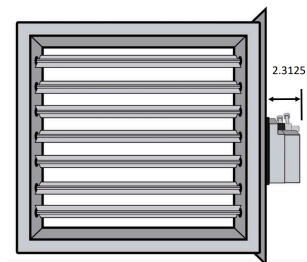
The SmartZone™ AZ-RPOCA-series low pressure two-position damper was developed for precise control of supply air in the HVAC duct system. Rigid aluminum components provide a strong, yet lightweight construction. The damper actuator with built-in LED lights is designed for years of care-free operation. The power open/power close design guarantees precise control of supply air into each zone. Long-life nylon gears drive the opposed blades open and closed. Opposed blade design reduces turbulence in the air stream. 30 Second operation to full open or closed position. A minimum open position can be set to bleed air for ventilation or duct balancing. End of shaft marked with high-visibility blade position indicator. Custom sizes are available.

- DEPENDABLE POWER OPEN/POWER CLOSE
- LED INDICATORS FOR FULL OPEN AND CLOSED POSITIONS
- INSULATION PAD UNDER MOTOR REDUCES CONDENSATION
- AVAILABLE SIZES: 8 X 8 UP TO 30 X 30
- LONG-LIFE ACTUATOR
- 5 YEAR FACTORY WARRANTY



SPECIFICATIONS

POWER	24VAC, 2 VA typical (3 VA Max)
ACTUATOR	XCI POCM Brushless Motor Design 10 in-lb Torque Power-Open/Power-Close 30 Second Operation Cycle Max 90 Degree Travel
INDICATOR	LED Indicated Full Open or Close Blink When Opening & Closing
WIRING	3 Screw Terminals PO, PC, Common Use 18/3 Solid Core Wire



ALL RIGHTS RESERVED TO D-VAC SALES INC.
200B VERDI STREET, FARMINGDALE NY 11735

SALES@DVACHVAC.COM

516-256-3131



HVAC Manufacturer's Representative