



# AZ-SRD

## SUPPLY AIR DAMPER 2-WIRE SPRING OPEN

The SmartZone™ AZ-SRD-series low pressure two-position damper was developed for economical control of supply air in the HVAC system. The solid aluminum shaft provides a sturdy platform to attach the blade and damper actuator. The damper actuator with built-in coil spring is designed for years of care-free operation. The LED circuit board indicates when the damper is powered, and features screwless terminals for connection to the zone controller - no wire nuts needed. The spring open design guarantees the damper will open if power fails. Foam tape provides a positive seal for the blade. Long-life nylon bushings insure a quiet, low friction operation of the damper. Heavy-duty galvanized steel cylinder provides strength to keep the damper round. One crimped end and one straight end allows for flexible installation. 30-Second operation to full closed position.

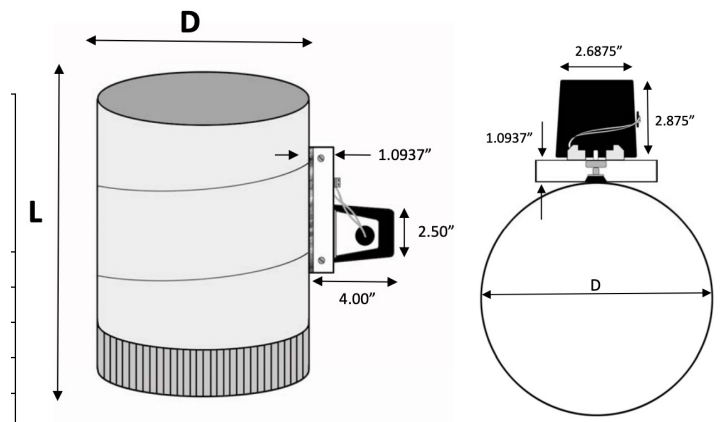


- FAIL-SAFE SPRING OPEN DESIGN
- BUILT-IN LED FOR POWER INDICATION
- PUSH-IN WIRING TERMINALS - NO SCREWDRIVER NEEDED
- AVAILABLE SIZES: 6", 7", 8", 9", 10", 12", 14", 16" & 18"
- HEAVY-DUTY ACTUATOR
- POWER CLOSE/SPRING OPEN
- 5 YEAR FACTORY WARRANTY

### SPECIFICATIONS

POWER	24VAC, 9 VA typical (12 VA Max)
ACTUATOR	Synchronous A/C type Heavy-Duty Metal Gearing 30-second Operation Direct Drive Shaft Coupling Backlash Protection Power Close/Spring Open
INDICATOR	Red LED Indicates Power Open
WIRING	2 Screwless Terminals Standard 18-2 Thermostat Wire 24VAC, Common

PART NUMBER	D CYLINDER DIAMETER (INCHES)	L CYLINDER LENGTH (INCHES)
SRD06	6	12
SRD07	7	12
SRD08	8	12
SRD09	9	12
SRD10	10	12
SRD12	12	12
SRD14	14	14
SRD16	16	16
SRD18	18	18



ALL RIGHTS RESERVED TO D-VAC SALES INC.  
 200B VERDI STREET, FARMINGDALE NY 11735  
[SALES@DVACHVAC.COM](mailto:SALES@DVACHVAC.COM)  
 516-256-3131

