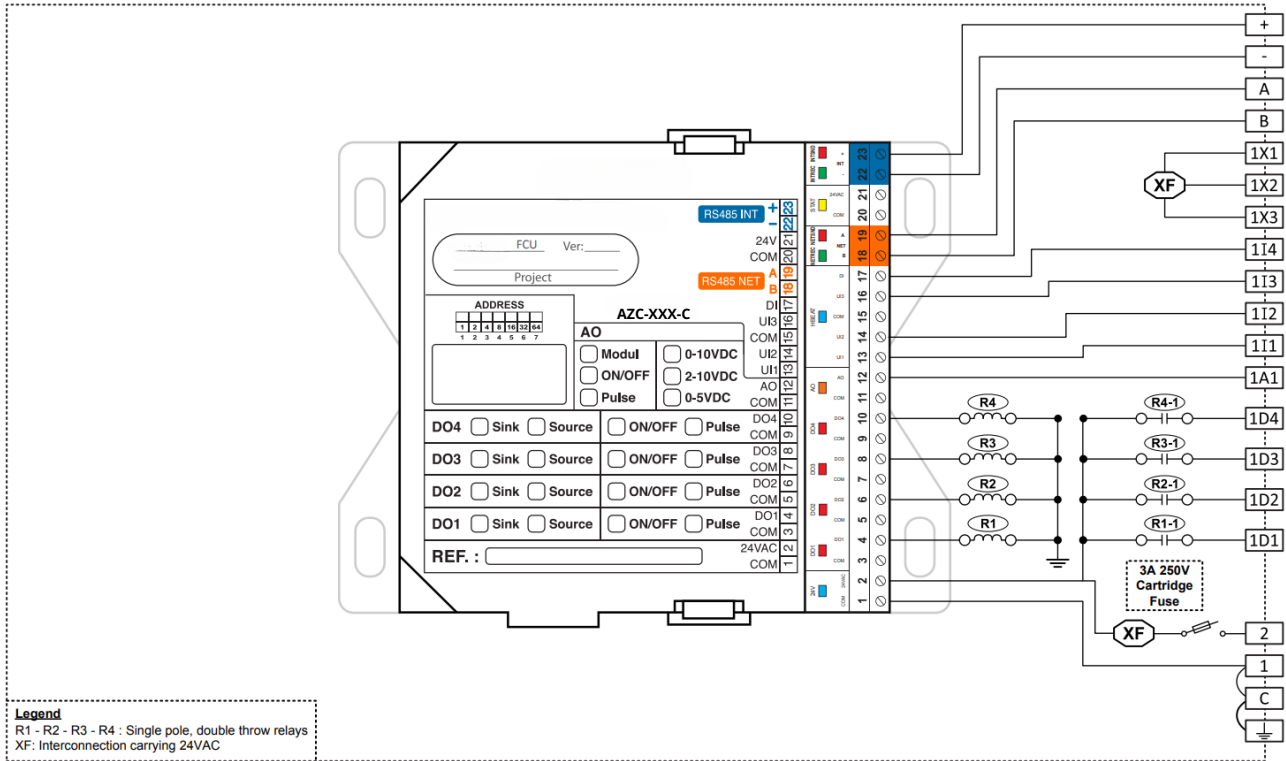




AZC-XXX-C

Internal Electrical Wiring Diagram



Field Wiring Details

ALL TERMINALS: Use Copper Conductors Only, 105°C/220°F, Maximum Torque Conductor Mounting: 0.5Nm

Terminal	Function	Ratings
⏚	GROUND	N/A
1	Power Supply Input Common	N/A
2	Power Supply Input 24VAC	24VAC, 3A, 60Hz
1D1	Digital Output 1	24VAC, 300mA
1D2	Digital Output 2	24VAC, 300mA
1D3	Digital Output 3	24VAC, 300mA
1D4	Digital Output 4	24VAC, 300mA
1A1	Analog Output 1	0-10VDC, 40mA
1I1	Universal Input 1	N/A
1I2	Universal Input 2	N/A
1I3	Universal Input 3	N/A

Terminal	Function	Ratings
1I4	Digital Input (Dry Contact)	N/A
1X3	Power Supply 24VAC	24VAC, 3A, 60Hz
1X2	Power Supply 24VAC	24VAC, 3A, 60Hz
1X1	Power Supply 24VAC	24VAC, 3A, 60Hz
+	C1050 RS485 INT A (+)	N/A
-	C1050 RS485 INT B (-)	N/A
A	C1050 RS485 NET A (+)	N/A
B	C1050 RS485 NET B (-)	N/A
C	COMMON	N/A
XF	24VAC Supply	24VAC

#