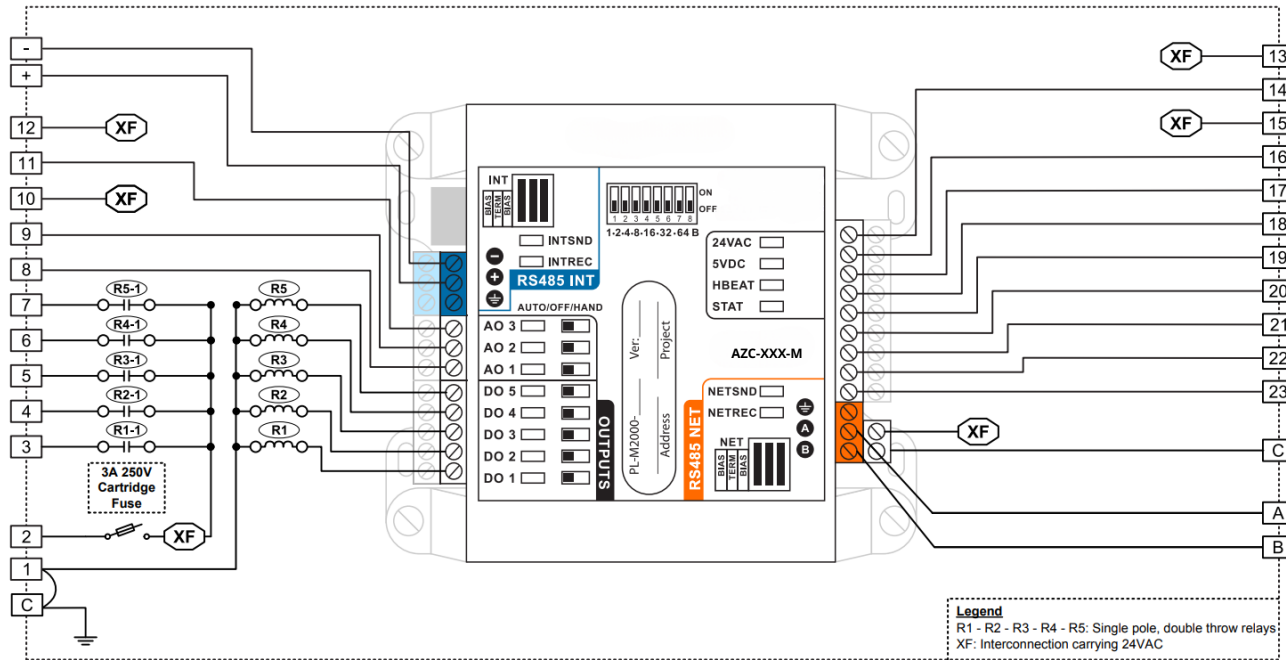




## AZC-XXX-M

### Internal Electrical Wiring Diagram



### Field Wiring Details

Terminal	Function	Ratings	Wiring Details
	GROUND	N/A	Use Copper Conductors Only, 105°C/220°F, Maximum Torque Conductor Mounting: 0.5Nm
1	Power Supply Input Common	N/A	Use Copper Conductors Only, 105°C/220°F, Maximum Torque Conductor Mounting: 0.5Nm
2	Power Supply Input 24VAC	24 VAC, 3 A, 60 Hz	Use Copper Conductors Only, 105°C/220°F, Maximum Torque Conductor Mounting: 0.5Nm
3	Fan Output (G)	24 VAC, 300 mA	Use Copper Conductors Only, 105°C/220°F, Maximum Torque Conductor Mounting: 0.5Nm
4	Cooling Output 1 (Y1)	24 VAC, 300 mA	Use Copper Conductors Only, 105°C/220°F, Maximum Torque Conductor Mounting: 0.5Nm
5	Cooling Output 2 (Y2)	24 VAC, 300 mA	Use Copper Conductors Only, 105°C/220°F, Maximum Torque Conductor Mounting: 0.5Nm
6	Heating Output 1 (W1)	24 VAC, 300 mA	Use Copper Conductors Only, 105°C/220°F, Maximum Torque Conductor Mounting: 0.5Nm
7	Heating Output 2 (W2) or Exhaust Fan	24 VAC, 300 mA	Use Copper Conductors Only, 105°C/220°F, Maximum Torque Conductor Mounting: 0.5Nm
8	Modulating Heating Output	0-10VDC, 40 mA	Use Copper Conductors Only, 105°C/220°F, Maximum Torque Conductor Mounting: 0.5Nm
9	Economizer Control Output	0-10VDC, 40 mA	Use Copper Conductors Only, 105°C/220°F, Maximum Torque Conductor Mounting: 0.5Nm
10	Economizer Supply	24 VAC, 8.5 VA	Use Copper Conductors Only, 105°C/220°F, Maximum Torque Conductor Mounting: 0.5Nm
11	Bypass or VFD Control Output	0-10VDC, 40mA	Use Copper Conductors Only, 105°C/220°F, Maximum Torque Conductor Mounting: 0.5Nm
12	Bypass or VFD Supply	24 VAC, 5 VA	Use Copper Conductors Only, 105°C/220°F, Maximum Torque Conductor Mounting: 0.5Nm
13	Static Pressure Sensor Supply	24 VAC, 0.03 A	Use Copper Conductors Only, 105°C/220°F, Maximum Torque Conductor Mounting: 0.5Nm
14	Static Pressure Sensor Input Signal	0-5 VDC, 5 uA	Use Copper Conductors Only, 105°C/220°F, Maximum Torque Conductor Mounting: 0.5Nm

Terminal	Function	Ratings	Wiring Details
15	CO2 Sensor Supply	24 VAC, 6.7 VA	Use Copper Conductors Only, 105°C/220°F, Maximum Torque Conductor Mounting: 0.5Nm
16	CO2 Sensor Input Signal	4-20 mA, 1-5VDC	Use Copper Conductors Only, 105°C/220°F, Maximum Torque Conductor Mounting: 0.5Nm
17	Dry Contact for Proof of Fan	N/A	Use Copper Conductors Only, 105°C/220°F, Maximum Torque Conductor Mounting: 0.5Nm
18	Zone Setpoint Potentiometer (0-9K)	N/A	Use Copper Conductors Only, 105°C/220°F, Maximum Torque Conductor Mounting: 0.5Nm
19	Zone Temperature Thermistor (10K Type 3)	N/A	Use Copper Conductors Only, 105°C/220°F, Maximum Torque Conductor Mounting: 0.5Nm
20	Variable Function Temperature Sensor	N/A	Use Copper Conductors Only, 105°C/220°F, Maximum Torque Conductor Mounting: 0.5Nm
21	Supply Air Temperature Thermistor (10K Type 3)	N/A	Use Copper Conductors Only, 105°C/220°F, Maximum Torque Conductor Mounting: 0.5Nm
22	Return Air Temperature Thermistor (10K Type 3)	N/A	Use Copper Conductors Only, 105°C/220°F, Maximum Torque Conductor Mounting: 0.5Nm
23	Outside Air Temperature Thermistor (10K Type 3)	N/A	Use Copper Conductors Only, 105°C/220°F, Maximum Torque Conductor Mounting: 0.5Nm
+	M2000 RS485 INT A (+)	N/A	Use Copper Conductors Only, 105°C/220°F, Maximum Torque Conductor Mounting: 0.5Nm
-	M2000 RS485 INT B (-)	N/A	Use Copper Conductors Only, 105°C/220°F, Maximum Torque Conductor Mounting: 0.5Nm
A	M2000 RS485 NET A (+)	N/A	Use Copper Conductors Only, 105°C/220°F, Maximum Torque Conductor Mounting: 0.5Nm
B	M2000 RS485 NET B (-)	N/A	Use Copper Conductors Only, 105°C/220°F, Maximum Torque Conductor Mounting: 0.5Nm
X1	NC2000 Ethernet Connection	N/A	Use CAT5e Path Cable
C	COMMON	N/A	Use Copper Conductors Only, 105°C/220°F, Maximum Torque Conductor Mounting: 0.5Nm