

TAG: _____

SUBMITTAL

15 SERIES

Single Zone Mini-Split Inverter System

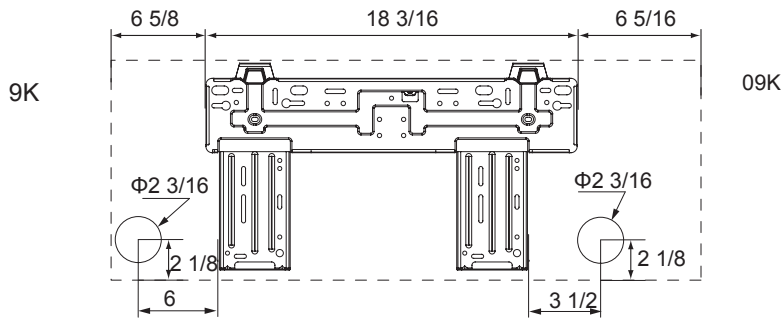
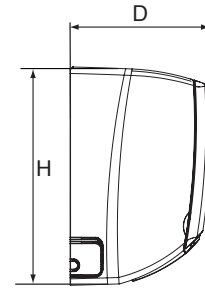
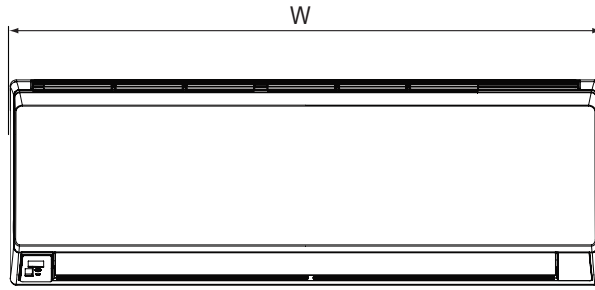
M4MCW1509A1N0A
M4TCS1509A11NA

Specifications

MODEL - Cooling Only	M4MCW1509A / M4TCS1509A
RATED Volts/PH	208 / 230 / 1
Frequency (Hz)	60Hz
Rated Cooling Capacity (Btu/h):	9000
Minimum Cooling Capacity (@95F) (Btu/h):	3100
Maximum Cooling Capacity (@95F) (Btu/h):	9600
Total Capacity (W) (High/Standard/Low):	2800 / 2600 / 900
Rated Power Input (W)	900
Nominal Input Current (A)	4.0
SEER	15.0
Air Flow Volume (CFM) (H/M/L)	310 / 280 / 240 / 170
Dehumidifying Volume (pt./h)	1.69
EER (@95F)	10.0
Indoor Unit	M4MCW1509A1N0A
Fan Motor Speed (r/min) (SH/H/M/L)	1350 / 1200 / 1050 / 750
Fan Motor RLA(A)	0.20
Evaporator	Aluminum Fin-Copper Tube
Pipe Diameter (inch)	1/5
Row Fin Gap (inch)	2 - 1/18
Coil length (L) x depth (D) x coil width (W) (inch)	23 x 7/8 x 10 1/2
Output of Swing Motor (W)	1.5
Fuse (A)	3.15
Sound Power Level dB (A)(SH/H/M/L)	53 / 49 / 45 / 39
Sound PRESSURE Level dB (A)(SH/H/M/L) ①	43 / 38 / 34 / 28
Uncrated Dimension (W/H/D) (inch)	31 1/9 x 10 5/6 x 7 7/8
Crated Dimension of Package (L/W/H) (inch)	34 x 10 2/3 x 14 4/9
Net Weight /Gross Weight (lbs)	19.8 / 24.2
Outdoor Unit	M4TCS1509A11NA
Compressor Type	Swing Rotary
Compressor Oil	DAPHNE FVC50K (PVE Oil)
L.R.A. (A)	16.5
Compressor RLA(A)	6.60
Compressor Power Input(W)	845
Throttling Method	Capillary
Working Temp Range (°F)	0 - 115
Condenser	Aluminum Fin-Copper Tube
Pipe Diameter (inch)	2/7
Row Fin Gap (inch)	1 - 1/18
Coil length (L) x depth (H) x coil width (W) (inch)	28 x 3/4 x 20
Fan Motor Speed (rpm)	820±20
Output of Fan Motor (W)	30
Fan Motor RLA (A)	0.37
Air Flow Volume of Outdoor Unit (CFM)	942
Fan Diameter (inch)	15 3/4
Defrosting Method	Automatic Defrosting
Sound Power Level dB (A)	62
Sound PRESSURE Level dB (A) ①	52
Uncrated Dimension (W/H/D) (inch)	30 5/9 x 21 1/4 x 12 3/5
Crated Dimension of Package (L/W/H) (inch)	33 1/2 x 14 2/7 x 23 3/7
Net Weight /Gross Weight (lbs)	66.2 / 71.7
Refrigerant Charge (oz)	24.7
MCA	9.0
MOP	15.0
Connection Pipe	
Gas additional charge(oz/ft)	0.2
Outer Diameter Liquid Pipe (inch)	1/4
Outer Diameter Gas Pipe (inch)	3/8
Max Height Distance (ft)	65
Max Length Distance (ft)	100

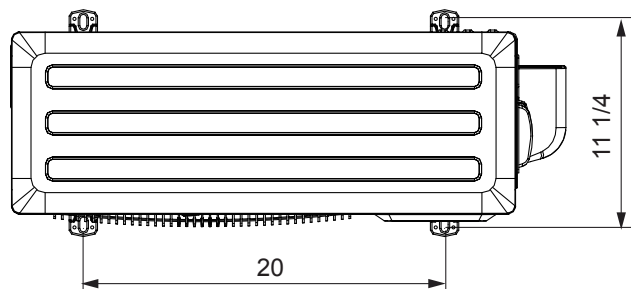
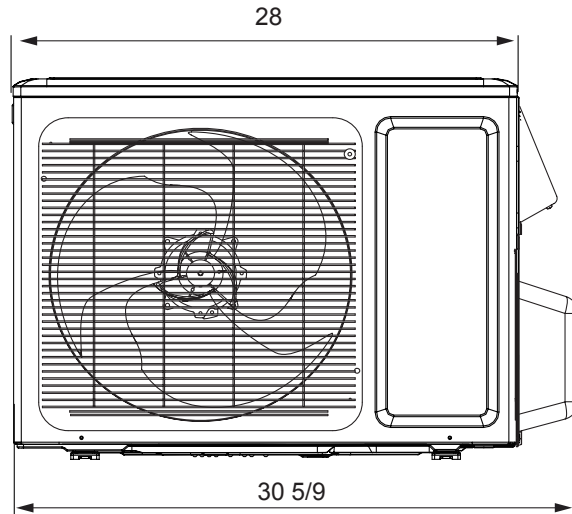
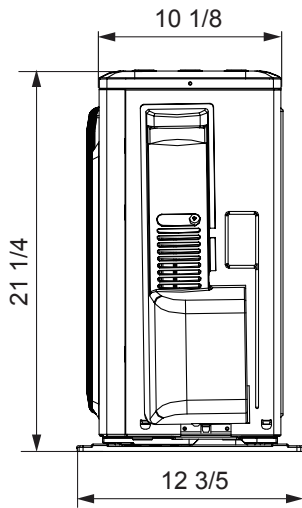
① Sound PRESSURE Level @ 3.3 ft. dB(A)

Unit Dimensions

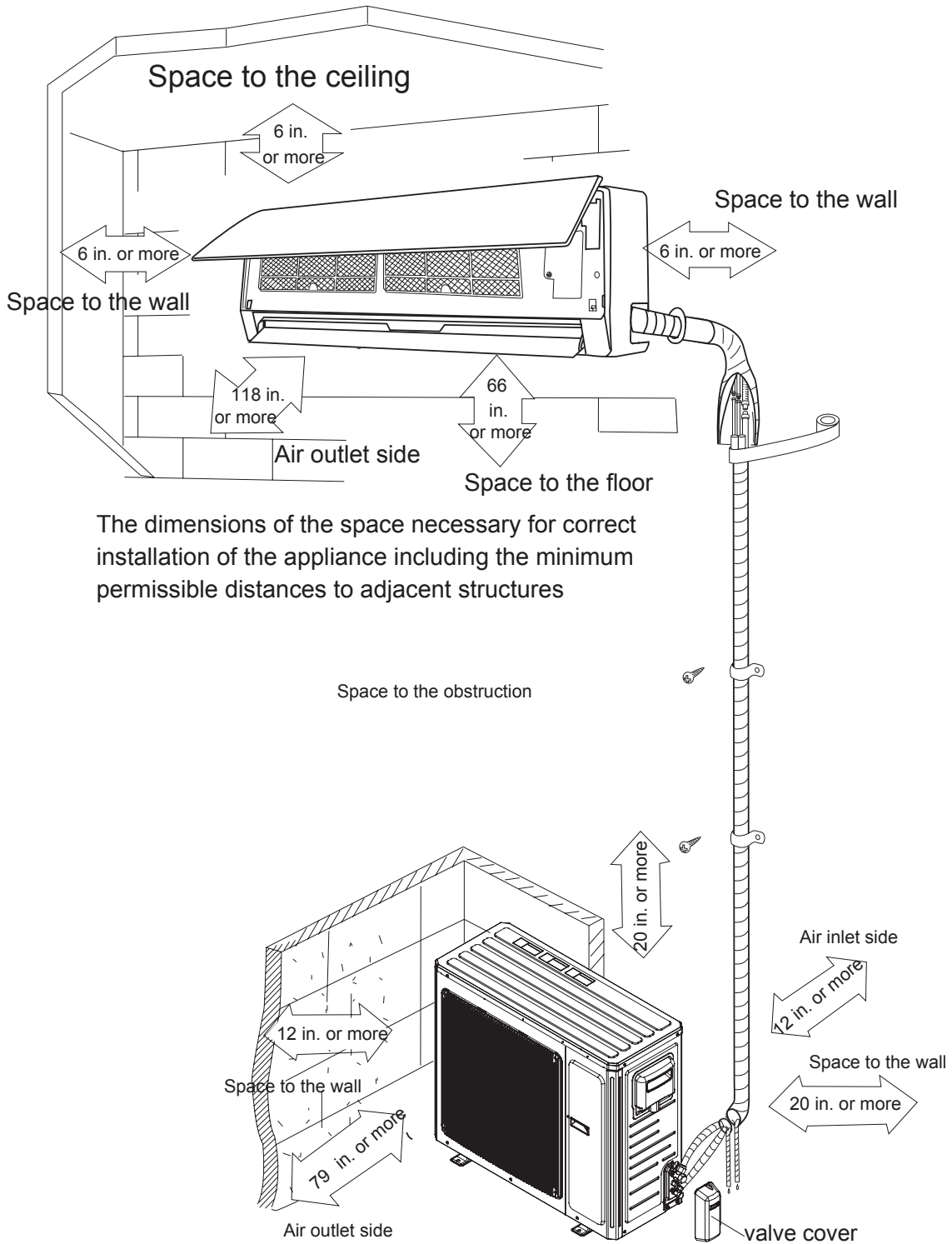


Unit: inch

MODEL	W	H	D
09K	$31 \frac{1}{9}$	$10 \frac{5}{6}$	$7 \frac{7}{8}$
12K	$33 \frac{1}{4}$	$11 \frac{3}{8}$	$8 \frac{2}{9}$



Clearance Requirements



NOTE:

The maximum recommended height from the floor to the bottom of the indoor unit is 11.5 ft. (3.5 m).

Air Velocity Patterns for High Wall		
Max Horizontal Distance		
Unit: ft. (m)		
Model	Cooling Mode	Heating Mode
M4MCW1509A	13.1 (4)	N/A

Performance Data

Cooling Capacity 9,000 (Bthu/h)
M4MCW1509A1/M4TCS1509A

Outdoor		68F DB (20C)		73F DB (23C)		80F DB (27C)		82F DB (28C)	
Coil air		57F WB (14C)		61F WB (16C)		67F WB (19C)		68F WB (20C)	
DB F	DB C	TC	SHC	TC	SHC	TC	SHC	TC	SHC
0	-18	1300	1050	1400	1100	1550	1250	1650	1300
5	-15	1450	1150	1500	1200	1700	1350	1750	1400
14	-10	1650	1300	1750	1400	2000	1600	2050	1650
23	-5	1800	1450	1950	1550	2250	1800	2350	1900
32	0	1900	1500	2000	1600	2250	1800	2350	1850
41	5	1950	1550	2050	1650	2350	1850	2450	1950
50	10	2050	1600	2150	1700	2450	1950	2550	2000
59	15	2200	1800	2350	1900	2600	2100	2850	2300
68	20	2500	2050	2650	2200	2850	2350	3050	2500
77	25	2500	2050	2650	2150	2800	2300	3000	2450
86	30	2350	1950	2500	2100	2750	2250	2950	2450
95	35	2250	1850	2400	2000	2600	2200	2850	2400
104	40	2100	1800	2250	1900	2550	2150	2750	2300
113	45	2000	1700	2150	1850	2450	2050	2650	2250

Capacities in these performance tables reflect normal operation at the temperatures indicated. See specification tables above for certified values under prescribed test conditions.

Mechanical Specifications

Mini-Split Outdoor Unit

General

This unit is fully charged from the factory for up to 25 feet of piping. This unit is designed to operate at outdoor ambient temperatures as high as 115°F. Cooling capacities with the mini-split air handler shown in the catalog are AHRI certified. The unit is ETL listed for outdoor application.

Unit Casing

The unit casing is constructed of heavy gauge, galvanized steel and painted with a weather-resistant powder paint.

Refrigerant Controls

Refrigeration system controls include condenser fan and compressor relay. High and low pressure controls are inherent to the compressor. A suction line multi function service valve is standard

Compressor

The compressor features internal over temperature and pressure protection; total dipped hermetic motor windings. Other features include: centrifugal oil pump and low vibration and noise.

Condenser Coil

The coil shall consist of aluminum finned coils brazed to copper tubing. The coil provides air flow resistance and efficient heat transfer. The coil is protected by the casing.

Low Ambient Cooling

Matched Ameristar ductless products, have cooling capabilities at outdoor ambient temperatures as low as 0° F.

Mini-Split Indoor High Wall

General

The High Wall mounted type air handler shall be completely factory assembled including coil, condensate drain pan, fan motor, washable filter, air purifying filter and electric controls to be used with a wireless remote controller. Unit shall be shipped with a unit mounting plate. Unit shall be matched with an Ameristar outdoor unit, rated and tested in accordance with AHRI standard. Unit shall be ETL listed.

Unit Casing

Casing shall be provided with knockouts on the right, and left of the unit to facilitate piping and electrical connection on either side of the unit. An electrical service cover shall be provided to permit easy access to the electrical terminal strip.

Discharge Airflow and Distribution System

Unit shall have auto swing, dual horizontal blades to optimize the aperture outlet for vertical airflow and air distribution. Blade shall close automatically when the air conditioner is turned off to minimize dust entering the unit. Five-Step preset program on the remote controller shall be available to control the blade angle.

Manually adjusted wide-angle louvers shall be provided to adjust the coverage and direction of airflow.

Controls

Units shall have the capability to be controlled remotely through wall-mounted wired options as well as a wireless remote option.

Remote Controller System

The unit shall have a wireless infrared remote controller with easy reading digital display panel to start, stop and regulate the air conditioner from a distance.

The wireless controller is available for all units. **(Sold separately)**

Healthy Filters

The unit shall have an active carbon and catechin filter with the unit. The filters need to be cleaned at least once a year.



TAG: _____

SUBMITTAL

15 SERIES

Single Zone Mini-Split Inverter System

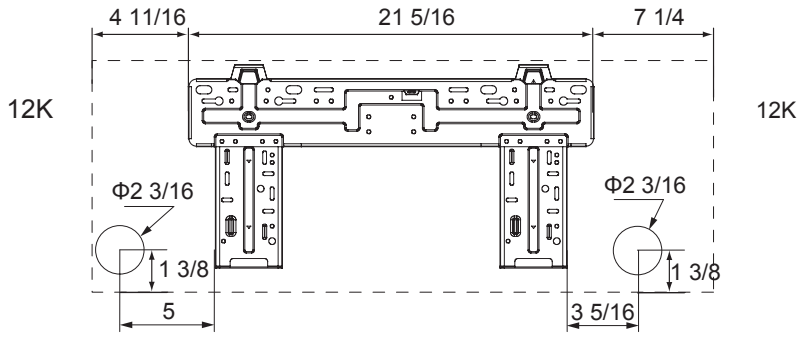
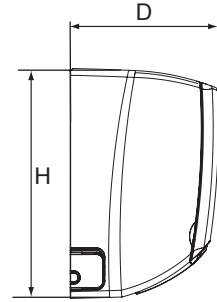
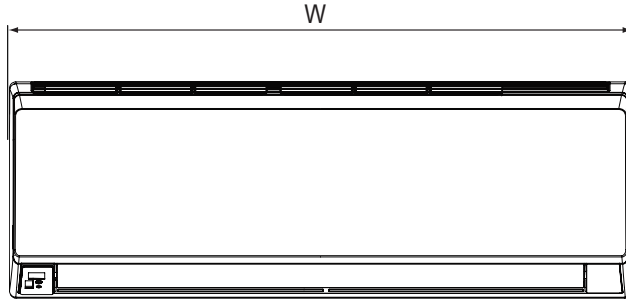
M4MCW1512A1N0A
M4TCS1512A11NA

Specifications

MODEL - Cooling Only	M4MCW1512A / M4TCS1512A
RATED Volts/PH	208 / 230 / 1
Frequency (Hz)	60Hz
Rated Cooling Capacity (Btu/h):	12000
Minimum Cooling Capacity (@95F) (Btu/h):	3700
Maximum Cooling Capacity (@95F) (Btu/h):	12500
Total Capacity (W) (High/Standard/Low):	3600 / 3500 / 1100
Rated Power Input (W)	1300
Nominal Input Current (A)	5.8
SEER	15.0
Air Flow Volume (CFM) (H/M/L)	390 / 310 / 240 / 190
Dehumidifying Volume (pt./h)	2.96
EER (@95F)	9.25
Indoor Unit	M4MCW1512A1N0A
Fan Motor Speed (r/min) (SH/H/M/L)	1350 / 1200 / 1000 / 800
Fan Motor RLA(A)	0.31
Evaporator	Aluminum Fin-Copper Tube
Pipe Diameter (inch)	1/5
Row Fin Gap (inch)	2 - 1/18
Coil length (L) x depth (D) x coil width (W) (inch)	25 x 7/8 x 12 1/16
Output of Swing Motor (W)	1.5
Fuse (A)	3.15
Sound Power Level dB (A)(SH/H/M/L)	55 / 49 / 45 / 39
Sound PRESSURE Level dB (A)(SH/H/M/L) ①	45 / 39 / 35 / 29
Uncrated Dimension (W/H/D) (inch)	33 1/4 x 11 3/8 x 8 2/9
Crated Dimension of Package (L/W/H) (inch)	36 1/4 x 11 x 15
Net Weight /Gross Weight (lbs)	23.1 / 28.7
Outdoor Unit	M4TCS1512A11NA
Compressor Type	Swing Rotary
Compressor Oil	DAPHNE FVC50K (PVE Oil)
L.R.A. (A)	16.5
Compressor RLA(A)	6.60
Compressor Power Input(W)	845
Throttling Method	Capillary
Working Temp Range (°F)	0 - 115
Condenser	Aluminum Fin-Copper Tube
Pipe Diameter (inch)	2/7
Row Fin Gap (inch)	2 - 1/18
Coil length (L) x depth (H) x coil width (W) (inch)	28 x 1 1/2 x 20
Fan Motor Speed (rpm)	820±20
Output of Fan Motor (W)	30
Fan Motor RLA (A)	0.37
Air Flow Volume of Outdoor Unit (CFM)	942
Fan Diameter (inch)	15 3/4
Defrosting Method	Automatic Defrosting
Sound Power Level dB (A)	63
Sound PRESSURE Level dB (A) ①	53
Uncrated Dimension (W/H/D) (inch)	30 5/9 x 21 1/4 x 12 3/5
Crated Dimension of Package (L/W/H) (inch)	33 1/2 x 14 2/7 x 23 3/7
Net Weight /Gross Weight (lbs)	70.6 / 76.1
Refrigerant Charge (oz)	30.0
MCA	9.0
MOP	15.0
Connection Pipe	
Gas additional charge(oz/ft)	0.2
Outer Diameter Liquid Pipe (inch)	1/4
Outer Diameter Gas Pipe (inch)	3/8
Max Height Distance (ft)	65
Max Length Distance (ft)	100

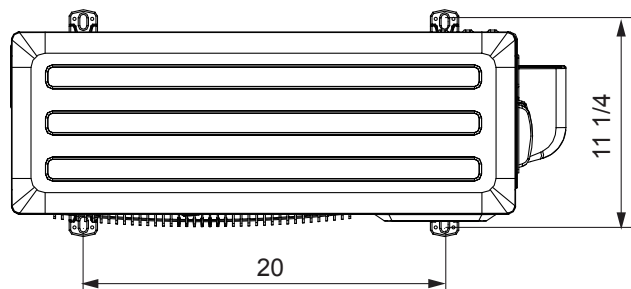
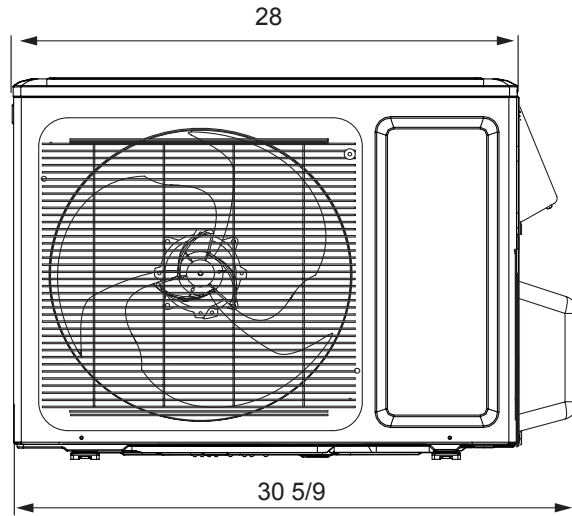
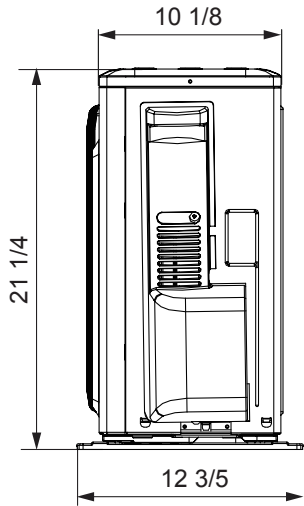
① Sound PRESSURE Level @ 3.3 ft. dB(A)

Unit Dimensions

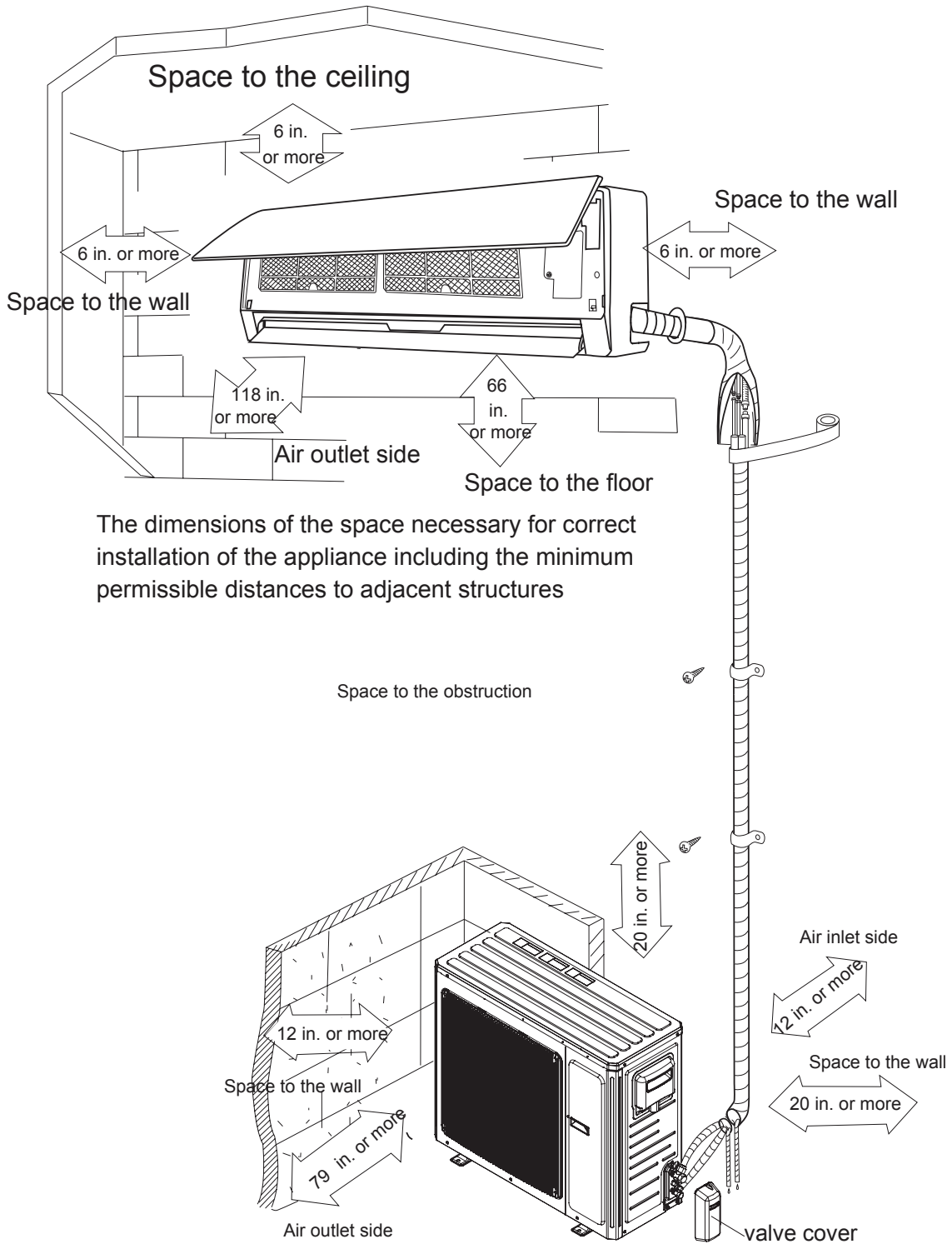


Unit: inch

MODEL	W	H	D
09K	$31\frac{1}{9}$	$10\frac{5}{6}$	$7\frac{7}{8}$
12K	$33\frac{1}{4}$	$11\frac{3}{8}$	$8\frac{2}{9}$



Clearance Requirements



NOTE:

The maximum recommended height from the floor to the bottom of the indoor unit is 11.5 ft. (3.5 m).

Air Velocity Patterns for High Wall		
Max Horizontal Distance		
Unit: ft. (m)		
Model	Cooling Mode	Heating Mode
M4MCW1512A	29.5 (9)	N/A

Performance Data

Cooling Capacity 12,000 (Bthu/h)
M4MCW1512A1/M4TCS1512A

Outdoor		68F DB (20C)		73F DB (23C)		80F DB (27C)		82F DB (28C)	
Coil air		57F WB (14C)		61F WB (16C)		67F WB (19C)		68F WB (20C)	
DB F	DB C	TC	SHC	TC	SHC	TC	SHC	TC	SHC
0	-18	5100	4000	5350	4200	6650	5200	6550	5100
5	-15	6100	4800	6450	5050	7700	6000	7750	6100
14	-10	7650	6000	8100	6350	9150	7150	9500	7450
23	-5	7850	6150	8300	6500	9500	7450	9900	7750
32	0	8400	6600	9000	7050	10300	8050	10750	8400
41	5	10200	8000	10900	8550	11950	9350	13050	10200
50	10	11550	9050	12250	9600	13100	10300	14050	11050
59	15	11400	8950	12150	9500	13000	10200	13900	10900
68	20	11150	8700	11850	9300	12850	10100	13700	10750
77	25	10850	8500	11550	9050	12650	9900	13550	10600
86	30	10550	8300	11300	8850	12400	9700	13350	10450
95	35	10250	8050	11000	8600	12050	9450	13150	10300
104	40	9750	7650	10500	8200	11700	9200	12650	9900
113	45	9250	7250	10000	7800	11200	8800	12150	9500

Capacities in these performance tables reflect normal operation at the temperatures indicated. See specification tables above for certified values under prescribed test conditions.

Mechanical Specifications

Mini-Split Outdoor Unit

General

This unit is fully charged from the factory for up to 25 feet of piping. This unit is designed to operate at outdoor ambient temperatures as high as 115°F. Cooling capacities with the mini-split air handler shown in the catalog are AHRI certified. The unit is ETL listed for outdoor application.

Unit Casing

The unit casing is constructed of heavy gauge, galvanized steel and painted with a weather-resistant powder paint.

Refrigerant Controls

Refrigeration system controls include condenser fan and compressor relay. High and low pressure controls are inherent to the compressor. A suction line multi function service valve is standard

Compressor

The compressor features internal over temperature and pressure protection; total dipped hermetic motor windings. Other features include: centrifugal oil pump and low vibration and noise.

Condenser Coil

The coil shall consist of aluminum finned coils brazed to copper tubing. The coil provides air flow resistance and efficient heat transfer. The coil is protected by the casing.

Low Ambient Cooling

Matched Ameristar ductless products, have cooling capabilities at outdoor ambient temperatures as low as 0° F.

Mini-Split Indoor High Wall

General

The High Wall mounted type air handler shall be completely factory assembled including coil, condensate drain pan, fan motor, washable filter, air purifying filter and electric controls to be used with a wireless remote controller. Unit shall be shipped with a unit mounting plate. Unit shall be matched with an Ameristar outdoor unit, rated and tested in accordance with AHRI standard. Unit shall be ETL listed.

Unit Casing

Casing shall be provided with knockouts on the right, and left of the unit to facilitate piping and electrical connection on either side of the unit. An electrical service cover shall be provided to permit easy access to the electrical terminal strip.

Discharge Airflow and Distribution System

Unit shall have auto swing, dual horizontal blades to optimize the aperture outlet for vertical airflow and air distribution. Blade shall close automatically when the air conditioner is turned off to minimize dust entering the unit. Five-Step preset program on the remote controller shall be available to control the blade angle.

Manually adjusted wide-angle louvers shall be provided to adjust the coverage and direction of airflow.

Controls

Units shall have the capability to be controlled remotely through wall-mounted wired options as well as a wireless remote option.

Remote Controller

The unit shall have a wireless infrared remote controller with easy reading digital display panel to start, stop and regulate the air conditioner from a distance.

The wireless controller is available for all units. **(Sold separately)**

Healthy Filters

The unit shall have an active carbon and catechin filter with the unit. The filters need to be cleaned at least once a year.



TAG: _____

SUBMITTAL

15 SERIES

Single Zone Mini-Split Inverter System

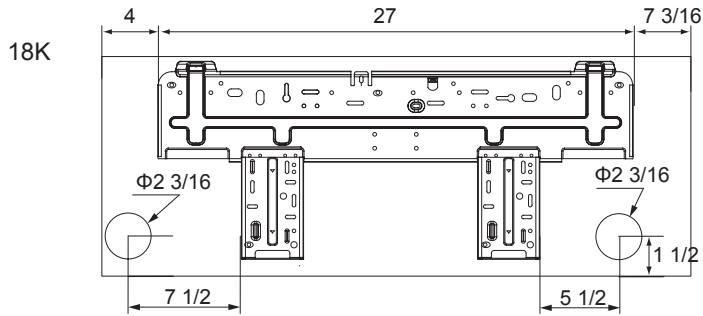
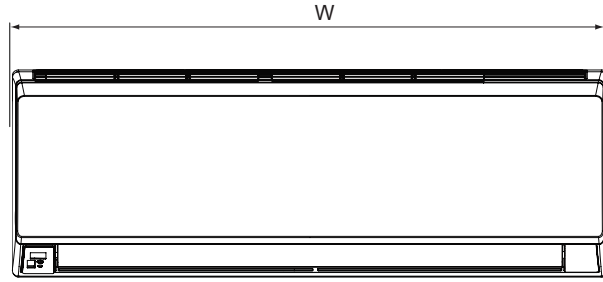
M4MCW1518A1N0A
M4TCS1518A11NA

Specifications

MODEL - Cooling Only	M4MCW1518A / M4TCS1518A
RATED Volts/PH	208 / 230 / 1
Frequency (Hz)	60Hz
Rated Cooling Capacity (Btu/h):	18000
Minimum Cooling Capacity (@95F) (Btu/h):	7100
Maximum Cooling Capacity (@95F) (Btu/h):	20000
Total Capacity (W) (High/Standard/Low):	5800 / 5200 / 2100
Rated Power Input (W)	1800
Nominal Input Current (A)	8.0
SEER	15.0
Air Flow Volume (CFM) (H/M/L)	470 / 400 / 340 / 280
Dehumidifying Volume (pt./h)	3.8
EER (@95F)	9.0
<hr/>	
Indoor Unit	M4MCW1518A1N0A
Fan Motor Speed (r/min) (SH/H/M/L)	1350 / 1200 / 1050 / 900
Fan Motor RLA(A)	0.30
Evaporator	Aluminum Fin-Copper Tube
Pipe Diameter (inch)	2/7
Row Fin Gap (inch)	2 - 1/18
Coil length (L) x depth (D) x coil width (W) (inch)	28 1/7 x 1 x 12
Output of Swing Motor (W)	2.5
Fuse (A)	3.15
Sound Power Level dB (A)(SH/H/M/L)	56 / 52 / 49 / 45
Sound PRESSURE Level dB (A)(SH/H/M/L) ①	46 / 42 / 39 / 35
Uncrated Dimension (W/H/D) (inch)	38 1/5 x 11 4/5 x 8 5/6
Crated Dimension of Package (L/W/H) (inch)	41 x 15 x 12 3/5
Net Weight /Gross Weight (lbs)	29.8 / 36.4
<hr/>	
Outdoor Unit	M4TCS1518A11NA
Compressor Type	Rotary
Compressor Oil	RB68EP (POE Oil)
L.R.A. (A)	16.5
Compressor RLA(A)	12.08
Compressor Power Input(W)	1440
Throttling Method	Capillary
Working Temp Range (°F)	0 - 115
Condenser	Aluminum Fin-Copper Tube
Pipe Diameter (inch)	2/7
Row Fin Gap (inch)	1 - 1/18
Coil length (L) x depth (H) x coil width (W) (inch)	34 5/7 x 6/7 x 26
Fan Motor Speed (rpm)	800
Output of Fan Motor (W)	60
Fan Motor RLA (A)	0.52
Air Flow Volume of Outdoor Unit (CFM)	1883
Fan Diameter (inch)	20 1/2
Defrosting Method	Automatic Defrosting
Sound Power Level dB (A)	66
Sound PRESSURE Level dB (A) ①	56
Uncrated Dimension (W/H/D) (inch)	37 3/5 x 27 5/9 x 15 3/5
Crated Dimension of Package (L/W/H) (inch)	40 1/2 x 18 x 29 1/2
Net Weight /Gross Weight (lbs)	90.4 / 100.3
Refrigerant Charge (oz)	35.3
MCA	16.0
MOP	25.0
<hr/>	
Connection Pipe	
Gas additional charge(oz/ft)	0.2
Outer Diameter Liquid Pipe (inch)	1/4
Outer Diameter Gas Pipe (inch)	1/2
Max Height Distance (ft)	65
Max Length Distance (ft)	130

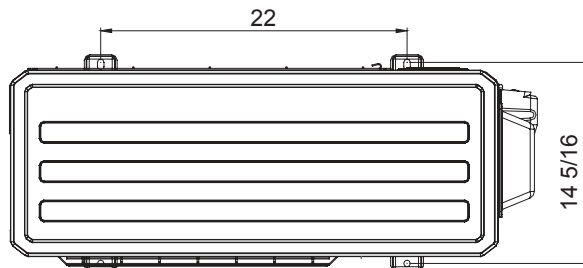
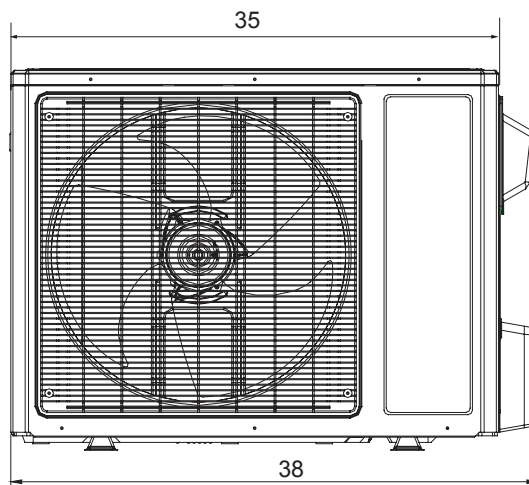
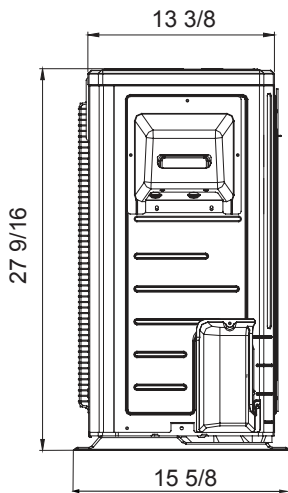
① Sound PRESSURE Level @ 3.3 ft. dB(A)

Unit Dimensions



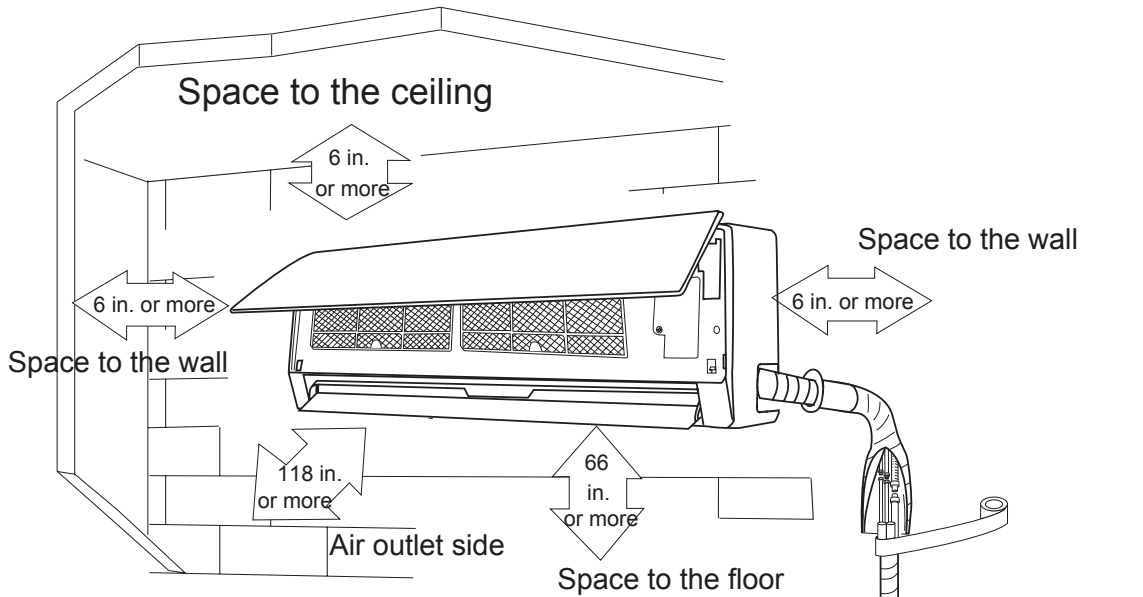
Unit: inch

Models	W	H	D
18K	38 1/5	11 4/5	8 5/6
24K	42 4/9	12 4/5	9 2/3

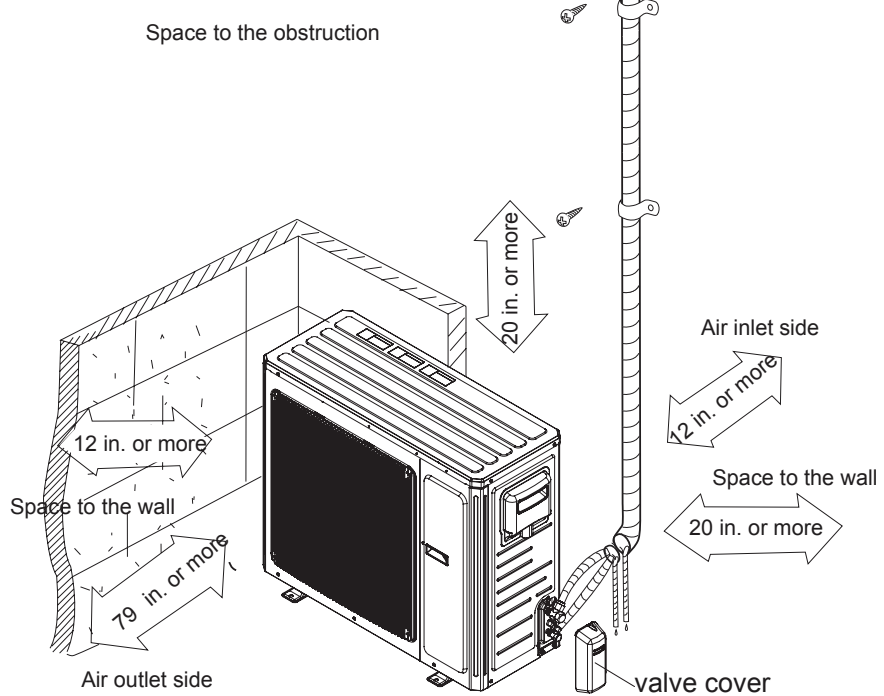


Unit: inch

Clearance Requirements



The dimensions of the space necessary for correct installation of the appliance including the minimum permissible distances to adjacent structures



NOTE:

The maximum recommended height from the floor to the bottom of the indoor unit is 11.5 ft. (3.5 m).

Air Velocity Patterns for High Wall		
Max Horizontal Distance		
Unit: ft. (m)		
Model	Cooling Mode	Heating Mode
4MYW1618	30.2 (9.2)	N/A

Performance Data

Cooling Capacity 18,000 (Bthu/h)
M4MCW1518A1/M4TCS1518A

Outdoor		68F DB (20C)		73F DB (23C)		80F DB (27C)		82F DB (28C)	
Coil air		57F WB (14C)		61F WB (16C)		67F WB (19C)		68F WB (20C)	
DB F	DB C	TC	SHC	TC	SHC	TC	SHC	TC	SHC
0	-18	9450	7400	9850	7700	11200	8750	11850	9300
5	-15	10300	8050	10850	8500	12250	9600	12650	9900
14	-10	11950	9350	12600	9900	14250	11150	14650	11500
23	-5	13100	10250	14000	10950	16050	12550	16500	12950
32	0	13550	10650	14500	11400	16650	13050	17150	13450
41	5	14100	11050	15050	11800	17250	13550	17800	13950
50	10	14600	11450	15650	12250	17900	14050	18450	14450
59	15	15850	12450	17000	13300	18600	14550	19150	15000
68	20	18000	14100	19100	14950	20400	16000	21050	16500
77	25	17750	13900	18900	14800	20250	15850	20850	16350
86	30	16900	13250	18000	14100	19650	15400	20250	15850
95	35	16000	12500	16300	12800	18750	14700	19300	15100
104	40	15200	11900	15550	12200	17350	13600	17900	14000
113	45	14450	11300	15000	11750	16150	12650	16600	13000

Capacities in these performance tables reflect normal operation at the temperatures indicated. See specification tables above for certified values under prescribed test conditions.

Mechanical Specifications

Mini-Split Outdoor Unit

General

This unit is fully charged from the factory for up to 25 feet of piping. This unit is designed to operate at outdoor ambient temperatures as high as 115°F. Cooling capacities with the mini-split air handler shown in the catalog are AHRI certified. The unit is ETL listed for outdoor application.

Unit Casing

The unit casing is constructed of heavy gauge, galvanized steel and painted with a weather-resistant powder paint.

Refrigerant Controls

Refrigeration system controls include condenser fan and compressor relay. High and low pressure controls are inherent to the compressor. A suction line multi function service valve is standard

Compressor

The compressor features internal over temperature and pressure protection; total dipped hermetic motor windings. Other features include: centrifugal oil pump and low vibration and noise.

Condenser Coil

The coil shall consist of aluminum finned coils brazed to copper tubing. The coil provides air flow resistance and efficient heat transfer. The coil is protected by the casing.

Low Ambient Cooling

Matched Ameristar ductless products, have cooling capabilities at outdoor ambient temperatures as low as 0° F.

Mini-Split Indoor High Wall

General

The High Wall mounted type air handler shall be completely factory assembled including coil, condensate drain pan, fan motor, washable filter, air purifying filter and electric controls to be used with a wireless remote controller. Unit shall be shipped with a unit mounting plate. Unit shall be matched with an Ameristar outdoor unit, rated and tested in accordance with AHRI standard. Unit shall be ETL listed.

Unit Casing

Casing shall be provided with knockouts on the right, and left of the unit to facilitate piping and electrical connection on either side of the unit. An electrical service cover shall be provided to permit easy access to the electrical terminal strip.

Discharge Airflow and Distribution System

Unit shall have auto swing, dual horizontal blades to optimize the aperture outlet for vertical airflow and air distribution. Blade shall close automatically when the air conditioner is turned off to minimize dust entering the unit. Five-Step preset program on the remote controller shall be available to control the blade angle.

Manually adjusted wide-angle louvers shall be provided to adjust the coverage and direction of airflow.

Controls

Units shall have the capability to be controlled remotely through wall-mounted wired options as well as a wireless remote option.

Remote Controller

The unit shall have a wireless infrared remote controller with easy reading digital display panel to start, stop and regulate the air conditioner from a distance.

The wireless controller is available for all units. **(Sold separately)**

Healthy Filters

The unit shall have an active carbon and catechin filter with the unit. The filters need to be cleaned at least once a year.



TAG: _____

SUBMITTAL

15 SERIES

Single Zone Mini-Split Inverter System

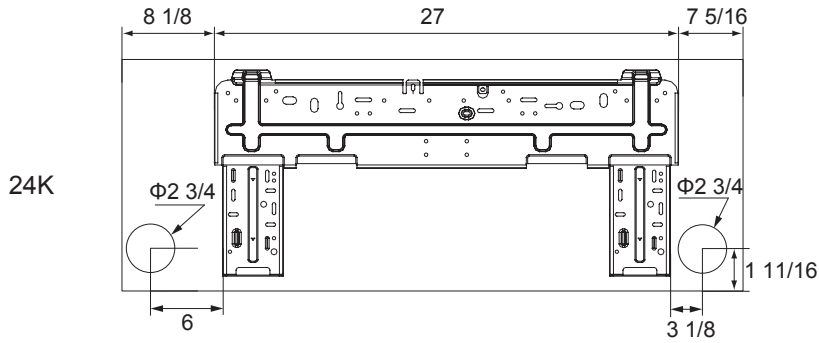
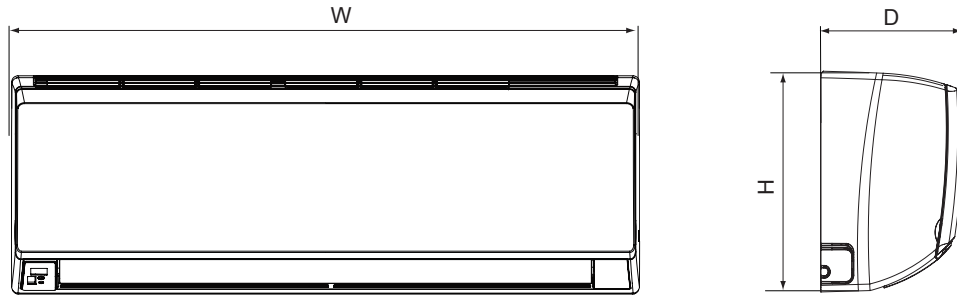
M4MCW1524A1N0A
M4TCS1524A11NA

Specifications

MODEL - Cooling Only	M4MCW1524A / M4TCS1524A
RATED Volts/PH	208 / 230 / 1
Frequency (Hz)	60Hz
Rated Cooling Capacity (Btu/h):	22000
Minimum Cooling Capacity (@95F) (Btu/h):	8600
Maximum Cooling Capacity (@95F) (Btu/h):	23200
Total Capacity (W) (High/Standard/Low):	6600 / 6400 / 2500
Rated Power Input (W)	2260
Nominal Input Current (A)	10.0
SEER	15.0
Air Flow Volume (CFM) (H/M/L)	700 / 640 / 580 / 520
Dehumidifying Volume (pt./h)	5.3
EER (@95F)	9.75
Indoor Unit	M4MCW1524A1N0
Fan Motor Speed (r/min) (SH/H/M/L)	1250 / 1100 / 900 / 800
Fan Motor RLA(A)	0.32
Evaporator	Aluminum Fin-Copper Tube
Pipe Diameter (inch)	2/7
Row Fin Gap (inch)	2 - 1/17
Coil length (L) x depth (D) x coil width (W) (inch)	33 1/4 x 1 x 13 1/2
Output of Swing Motor (W)	2.5
Fuse (A)	3.15
Sound Power Level dB (A)(SH/H/M/L)	58 / 54 / 50 / 46
Sound PRESSURE Level dB (A)(SH/H/M/L) ①	48 / 44 / 40 / 36
Uncrated Dimension (W/H/D) (inch)	42 4/9 x 12 4/5 x 9 2/3
Crated Dimension of Package (L/W/H) (inch)	45 1/5 x 16 1/4 x 13 7/9
Net Weight /Gross Weight (lbs)	37.5 / 45.2
Outdoor Unit	M4TCS1524A11N
Compressor Type	Rotary
Compressor Oil	RB68EP (POE Oil)
L.R.A. (A)	25
Compressor RLA(A)	11.29
Compressor Power Input(W)	1440
Throttling Method	Capillary
Working Temp Range (°F)	0 - 115
Condenser	Aluminum Fin-Copper Tube
Pipe Diameter (inch)	3/8
Row Fin Gap (inch)	2 - 1/18
Coil length (L) x depth (H) x coil width (W) (inch)	33 1/3 x 1 3/4 x 26
Fan Motor Speed (rpm)	800
Output of Fan Motor (W)	60
Fan Motor RLA (A)	0.4
Air Flow Volume of Outdoor Unit (CFM)	1883
Fan Diameter (inch)	20 1/2
Defrosting Method	Automatic Defrosting
Sound Power Level dB (A)	69
Sound PRESSURE Level dB (A) ①	59
Uncrated Dimension (W/H/D) (inch)	37 3/5 x 27 5/9 x 15 3/5
Crated Dimension of Package (L/W/H) (inch)	40 1/2 x 18 x 29 1/2
Net Weight /Gross Weight (lbs)	103.6 / 113.6
Refrigerant Charge (oz)	56.45
MCA	15.0
MOP	25.0
Connection Pipe	
Gas additional charge(oz/ft)	0.2
Outer Diameter Liquid Pipe (inch)	1/4
Outer Diameter Gas Pipe (inch)	5/8
Max Height Distance (ft)	65
Max Length Distance (ft)	130

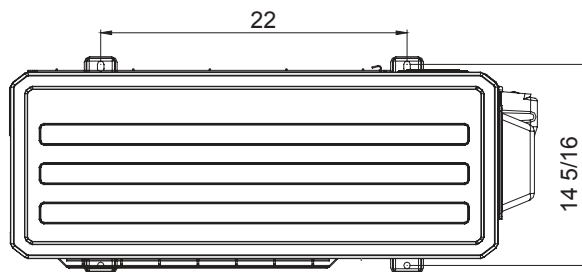
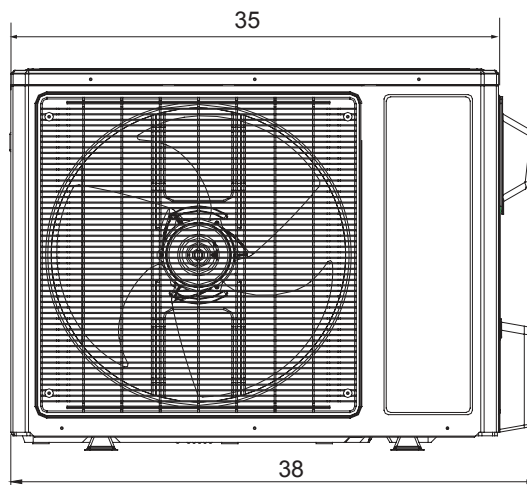
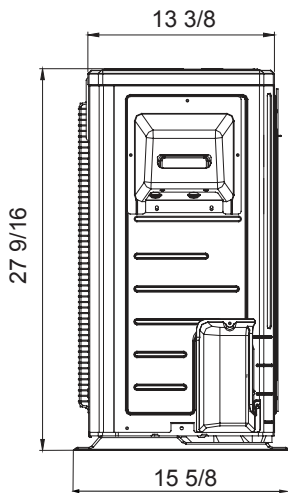
① Sound PRESSURE Level @ 3.3 ft. dB(A)

Unit Dimensions



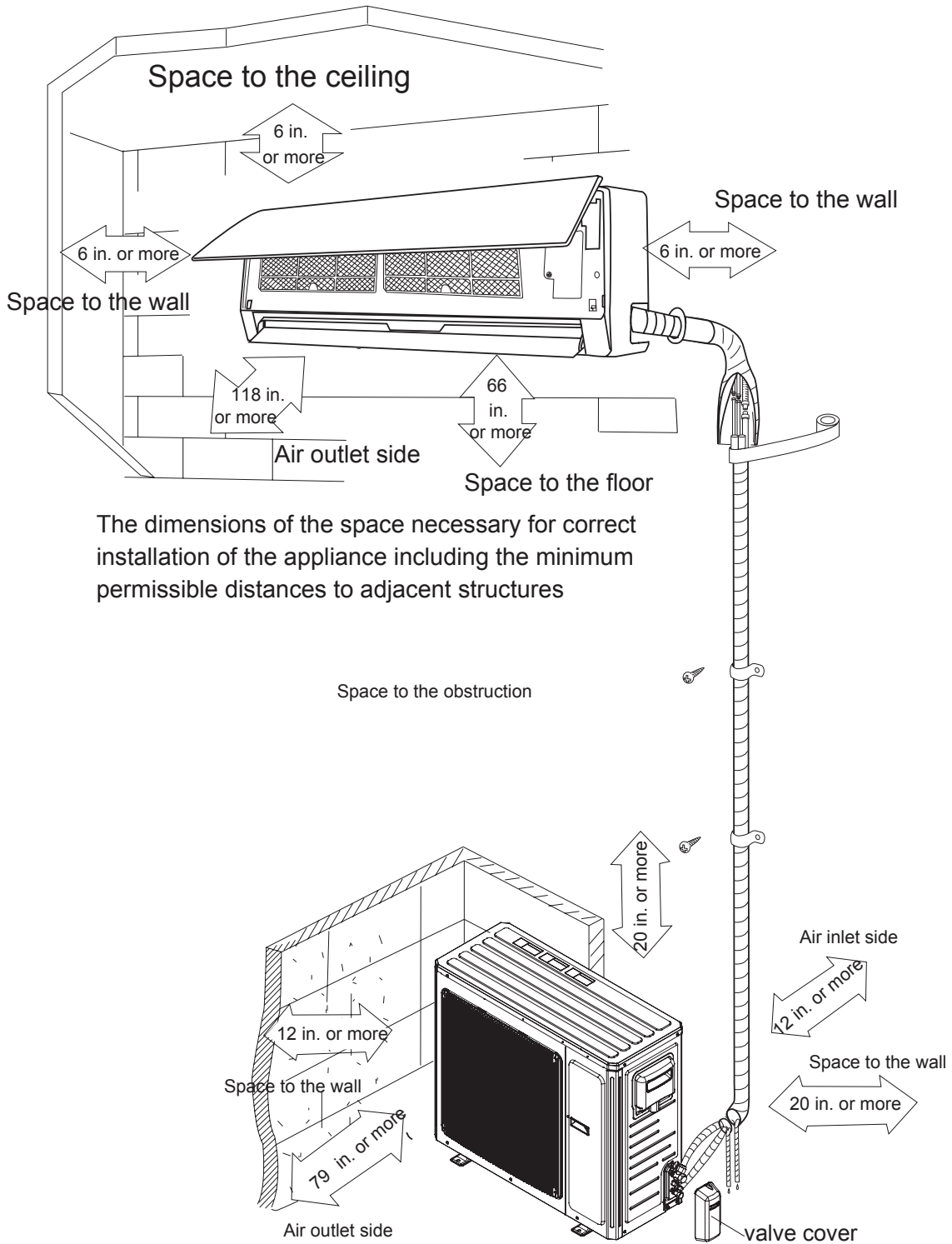
Unit: inch

Models	W	H	D
18K	$38 \frac{1}{5}$	$11 \frac{4}{5}$	$8 \frac{5}{6}$
24K	$42 \frac{4}{9}$	$12 \frac{4}{5}$	$9 \frac{2}{3}$



Unit: inch

Clearance Requirements



NOTE:

The maximum recommended height from the floor to the bottom of the indoor unit is 11.5 ft. (3.5 m).

Air Velocity Patterns for High Wall		
Max Horizontal Distance		
Unit: ft. (m)		
Model	Cooling Mode	Heating Mode
M4MCW1524	31.2 (9.5)	N/A

Performance Data

Cooling Capacity 24,000 (Bthu/h)
M4MCW1524A1/M4TCS1524A

Outdoor		68F DB (20C)		73F DB (23C)		80F DB (27C)		82F DB (28C)	
Coil air		57F WB (14C)		61F WB (16C)		67F WB (19C)		68F WB (20C)	
DB F	DB C	TC	SHC	TC	SHC	TC	SHC	TC	SHC
0	-18	10850	8500	11350	8900	12850	10050	13100	10250
5	-15	12100	9500	12800	10000	14450	11300	14850	11650
14	-10	14050	11000	14850	11650	16750	13150	17250	13500
23	-5	15400	12050	16450	12900	18850	14800	19450	15250
32	0	15950	12500	17100	13400	19600	15350	20150	15800
41	5	16550	13000	17700	13900	20300	15900	20900	16400
50	10	17200	13450	18400	14400	21050	16500	21700	17000
59	15	18650	14650	19950	15650	21850	17150	22550	17650
68	20	21150	16550	22450	17600	24000	18800	24750	19400
77	25	20900	16400	22250	17400	23800	18650	24500	19200
86	30	19850	15550	21200	16600	23150	18150	23800	18650
95	35	18800	14750	19200	15050	22050	17250	22700	17800
104	40	17900	14000	18300	14300	20450	16000	21050	16500
113	45	16950	13300	17600	13800	18950	14850	19550	15300

Capacities in these performance tables reflect normal operation at the temperatures indicated. See specification tables above for certified values under prescribed test conditions.

Mechanical Specifications

Mini-Split Outdoor Unit

General

This unit is fully charged from the factory for up to 25 feet of piping. This unit is designed to operate at outdoor ambient temperatures as high as 115°F. Cooling capacities with the mini-split air handler shown in the catalog are AHRI certified. The unit is ETL listed for outdoor application.

Unit Casing

The unit casing is constructed of heavy gauge, galvanized steel and painted with a weather-resistant powder paint.

Refrigerant Controls

Refrigeration system controls include condenser fan and compressor relay. High and low pressure controls are inherent to the compressor. A suction line multi function service valve is standard

Compressor

The compressor features internal over temperature and pressure protection; total dipped hermetic motor windings. Other features include: centrifugal oil pump and low vibration and noise.

Condenser Coil

The coil shall consist of aluminum finned coils brazed to copper tubing. The coil provides air flow resistance and efficient heat transfer. The coil is protected by the casing.

Low Ambient Cooling

Matched Ameristar ductless products, have cooling capabilities at outdoor ambient temperatures as low as 0° F.

Mini-Split Indoor High Wall

General

The High Wall mounted type air handler shall be completely factory assembled including coil, condensate drain pan, fan motor, washable filter, air purifying filter and electric controls to be used with a wireless remote controller. Unit shall be shipped with a unit mounting plate. Unit shall be matched with an Ameristar outdoor unit, rated and tested in accordance with AHRI standard. Unit shall be ETL listed.

Unit Casing

Casing shall be provided with knockouts on the right, and left of the unit to facilitate piping and electrical connection on either side of the unit. An electrical service cover shall be provided to permit easy access to the electrical terminal strip.

Discharge Airflow and Distribution System

Unit shall have auto swing, dual horizontal blades to optimize the aperture outlet for vertical airflow and air distribution. Blade shall close automatically when the air conditioner is turned off to minimize dust entering the unit. Five-Step preset program on the remote controller shall be available to control the blade angle.

Manually adjusted wide-angle louvers shall be provided to adjust the coverage and direction of airflow.

Controls

Units shall have the capability to be controlled remotely through wall-mounted wired options as well as a wireless remote option.

Remote Controller

The unit shall have a wireless infrared remote controller with easy reading digital display panel to start, stop and regulate the air conditioner from a distance.

The wireless controller is available for all units. **(Sold separately)**

Healthy Filters

The unit shall have an active carbon and catechin filter with the unit. The filters need to be cleaned at least once a year.



TAG: _____

SUBMITTAL

15 SERIES

Single Zone Mini-Split Inverter System

M4MHW1509A1N0A

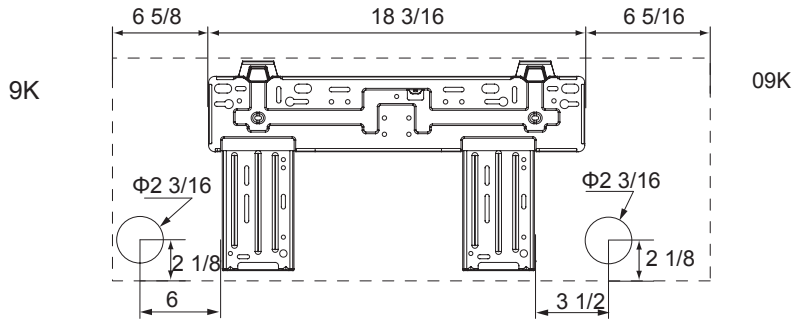
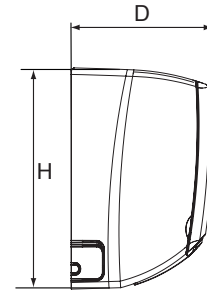
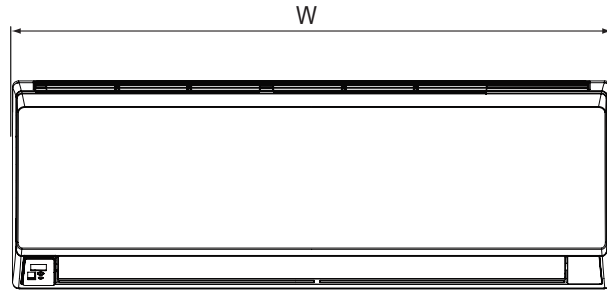
M4THS1509A11NA

Specifications

MODEL - Heat Pump Only	M4MHW1509A1 / M4THS1509A1	
	Cooling	Heating
RATED Volts/PH	208 / 230 / 1	
Frequency (Hz)	60Hz	
Rated Cooling / Heating Capacity (Btu/h):	9000	9500
Minimum Cooling Capacity (@95F) (Btu/h):	3100	-
Maximum Cooling Capacity (@95F) (Btu/h):	9600	-
Minimum Heating Capacity (@47F) (Btu/h):	-	3100
Maximum Heating Capacity (@47F) (Btu/h):	-	12000
Maximum Heating Capacity (@17F) (Btu/h):	-	5600
Total Capacity (W) (High/Standard/Low):	2800 / 2600 / 900	3500 / 2700 / 900
Rated Power Input (W)	900	800
Nominal Input Current (A)	4.0	3.6
SEER / HSPF	15.00	9.0
Air Flow Volume (CFM) (H/M/L)	310 / 280 / 240 / 170	
Dehumidifying Volume (pt./h)	1.69	
EER/COP (@95F)	10.0	11.9
Indoor Unit		
	M4MHW1509A1N0	
Fan Motor Speed (r/min) (SH/H/M/L)	1350 / 1200 / 1050 / 750 1350 / 1200 / 1050 / 850	
Fan Motor RLA(A)	0.20	
Evaporator	Aluminum Fin-Copper Tube	
Pipe Diameter (inch)	1/5	
Row Fin Gap (inch)	2 - 1/18	
Coil length (L) x depth (D) x coil width (W) (inch)	23 x 7/8 x 10 1/2	
Output of Swing Motor (W)	1.5	
Fuse (A)	3.15	
Sound Power Level dB (A)(SH/H/M/L)	53 / 49 / 45 / 39	
Sound PRESSURE Level dB (A)(SH/H/M/L) ①	43 / 38 / 34 / 28	
Uncrated Dimension (W/H/D) (inch)	31 1/9 x 10 5/6 x 7 7/8	
Crated Dimension of Package (L/W/H) (inch)	34 x 10 2/3 x 14 4/9	
Net Weight /Gross Weight (lbs)	19.8 / 24.2	
Outdoor Unit		
	M4THS1509A11N	
Compressor Type	Swing Rotary	
Compressor Oil	DAPHNE FVC50K (PVE Oil)	
L.R.A. (A)	16.50	
Compressor RLA(A)	6.60	
Compressor Power Input(W)	845	
Throttling Method	Capillary	
Working Temp Range (°F)	0 - 115	-4 - 75
Condenser	Aluminum Fin-Copper Tube	
Pipe Diameter (inch)	2/7	
Row Fin Gap (inch)	1 - 1/18	
Coil length (L) x depth (D) x coil width (W) (inch)	28 x 3/4 x 20	
Fan Motor Speed (rpm)	820±20	
Output of Fan Motor (W)	30	
Fan Motor RLA (A)	0.37	
Air Flow Volume of Outdoor Unit (CFM)	942	
Fan Diameter (inch)	15 3/4	
Defrosting Method	Automatic Defrosting	
Sound Power Level dB (A)	62	
Sound PRESSURE Level dB (A) ①	52	
Uncrated Dimension (W/H/D) (inch)	30 5/9 x 21 1/4 x 12 3/5	
Crated Dimension of Package (W/L/H) (inch)	33 1/2 x 14 2/7 x 23 3/7	
Net Weight /Gross Weight (lbs)	65.0 / 70.6	
Refrigerant Charge (oz)	24.7	
MCA	9.0	
MOP	15.0	
Connection Pipe		
Gas additional charge(oz/ft)	0.2	
Outer Diameter Liquid Pipe (inch)	1/4	
Outer Diameter Gas Pipe (inch)	3/8	
Max Height Distance (ft)	65	
Max Length Distance (ft)	100	

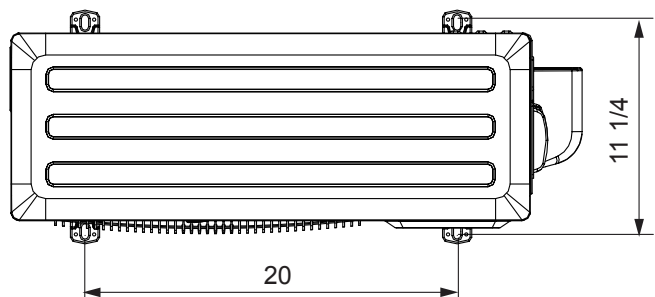
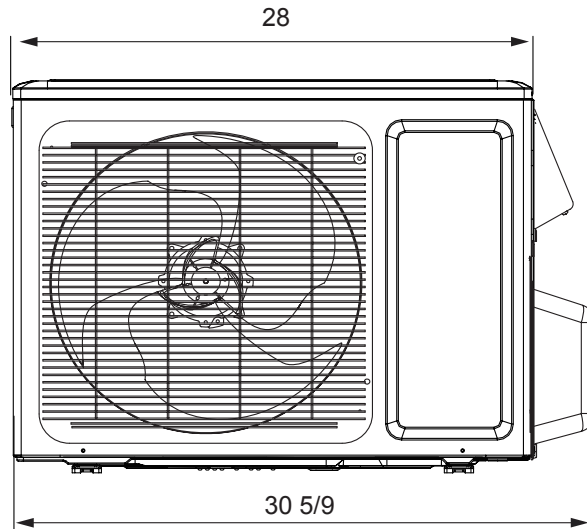
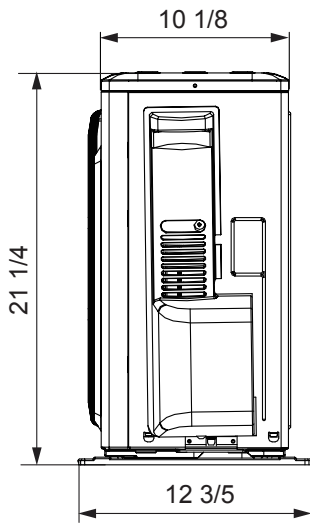
① Sound PRESSURE Level @ 3.3 ft. dB(A)

Unit Dimensions

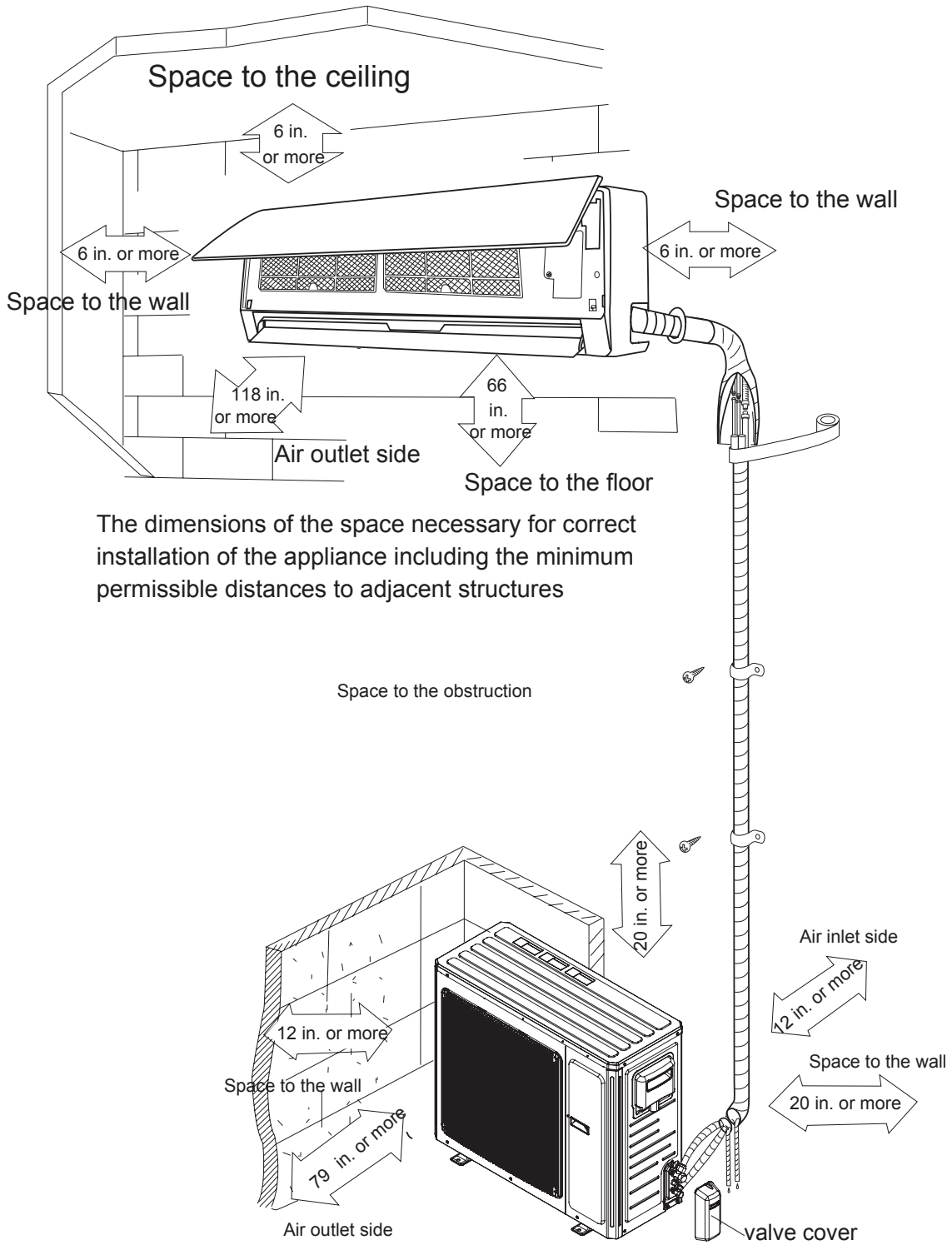


Unit: inch

MODEL	W	H	D
09K	$31 \frac{1}{9}$	$10 \frac{5}{6}$	$7 \frac{7}{8}$
12K	$33 \frac{1}{4}$	$11 \frac{3}{8}$	$8 \frac{2}{9}$



Clearance Requirements



NOTE:

The maximum recommended height from the floor to the bottom of the indoor unit is 11.5 ft. (3.5 m).

Air Velocity Patterns for High Wall		
Max Horizontal Distance		
Unit: ft. (m)		
Model	Cooling Mode	Heating Mode
M4MHW1509A	13.1 (4)	13.1 (4)

Performance Data

COOLING PERFORMANCE

M4MHW1509A
M4THS1509A

Outdoor		68F DB (20C)		73F DB (23C)		80F DB (27C)		82F DB (28C)	
Coil air		57F WB (14C)		61F WB (16C)		67F WB (19C)		68F WB (20C)	
DB F	DB C	TC	SHC	TC	SHC	TC	SHC	TC	SHC
0	-18	1300	1050	1400	1100	1550	1250	1650	1300
5	-15	1450	1150	1500	1200	1700	1350	1750	1400
14	-10	1650	1300	1750	1400	2000	1600	2050	1650
23	-5	1800	1450	1950	1550	2250	1800	2350	1900
32	0	1900	1500	2000	1600	2250	1800	2350	1850
41	5	1950	1550	2050	1650	2350	1850	2450	1950
50	10	2050	1600	2150	1700	2450	1950	2550	2000
59	15	2200	1800	2350	1900	2600	2100	2850	2300
68	20	2500	2050	2650	2200	2850	2350	3050	2500
77	25	2500	2050	2650	2150	2800	2300	3000	2450
86	30	2350	1950	2500	2100	2750	2250	2950	2450
95	35	2250	1850	2400	2000	2600	2200	2850	2400
104	40	2100	1800	2250	1900	2550	2150	2750	2300
113	45	2000	1700	2150	1850	2450	2050	2650	2250

HEATING PERFORMANCE

M4MHW1509A
M4THS1509A

Outdoor		68F DB (20C)	73F DB (23C)	80F DB (27C)	82F DB (28C)
Coil air		57F WB (14C)	61F WB (16C)	67F WB (19C)	68F WB (20C)
DB F	DB C	TC	TC	TC	TC
-4	-20	4900	4850	4750	4650
0	-18	5300	5250	5150	5000
6	-14	5600	5500	5400	5300
10	-12	5850	5750	5650	5500
16	-9	6050	5950	5800	5700
19	-7	6150	6050	5950	5800
24	-4	6850	6750	6600	6500
32	0	7650	7550	7450	7300
41	5	8800	8700	8600	8450
43	6	9550	9400	9200	9000
47	8	9650	9500	9300	9100
53	12	9900	9700	9500	9300
59	15	10100	9900	9700	9500
64	18	10300	10100	9900	9650
70	21	10450	10250	10050	9800
75	24	10550	10350	10150	9900

Capacities in these performance tables reflect normal operation at the temperatures indicated. See specification tables for certified values under prescribed test conditions.

Mechanical Specifications

Mini-Split Outdoor Unit

General

This unit is fully charged from the factory for up to 25 feet of piping. This unit is designed to operate at outdoor ambient temperatures as high as 115°F. Cooling capacities with the mini-split air handler shown in the catalog are AHRI certified. The unit is ETL listed for outdoor application.

Unit Casing

The unit casing is constructed of heavy gauge, galvanized steel and painted with a weather-resistant powder paint.

Refrigerant Controls

Refrigeration system controls include condenser fan and compressor relay. High and low pressure controls are inherent to the compressor. A suction line multi function service valve is standard

Compressor

The compressor features internal over temperature and pressure protection; total dipped hermetic motor windings. Other features include: centrifugal oil pump and low vibration and noise.

Condenser Coil

The coil shall consist of aluminum finned coils brazed to copper tubing. The coil provides air flow resistance and efficient heat transfer. The coil is protected by the casing.

Low Ambient Cooling

Matched Ameristar ductless products, have cooling capabilities at outdoor ambient temperatures as low as 0° F.

Mini-Split Indoor High Wall

General

The High Wall mounted type air handler shall be completely factory assembled including coil, condensate drain pan, fan motor, washable filter, air purifying filter and electric controls to be used with a wireless remote controller. Unit shall be shipped with a unit mounting plate. Unit shall be matched with an Ameristar outdoor unit, rated and tested in accordance with AHRI standard. Unit shall be ETL listed.

Unit Casing

Casing shall be provided with knockouts on the right, and left of the unit to facilitate piping and electrical connection on either side of the unit. An electrical service cover shall be provided to permit easy access to the electrical terminal strip.

Discharge Airflow and Distribution System

Unit shall have auto swing, dual horizontal blades to optimize the aperture outlet for vertical airflow and air distribution. Blade shall close automatically when the air conditioner is turned off to minimize dust entering the unit. Five-Step preset program on the remote controller shall be available to control the blade angle.

Manually adjusted wide-angle louvers shall be provided to adjust the coverage and direction of airflow.

Controls

Units shall have the capability to be controlled remotely through wall-mounted wired options as well as a wireless remote option.

Remote Controller

The unit shall have a wireless infrared remote controller with easy reading digital display panel to start, stop and regulate the air conditioner from a distance.

The wireless controller is available for all units. **(Sold separately)**

Healthy Filters

The unit shall have an active carbon and catechin filter with the unit. The filters need to be cleaned at least once a year.



TAG: _____

SUBMITTAL

15 SERIES

Single Zone Mini-Split Inverter System

M4MHW1512A1N0A

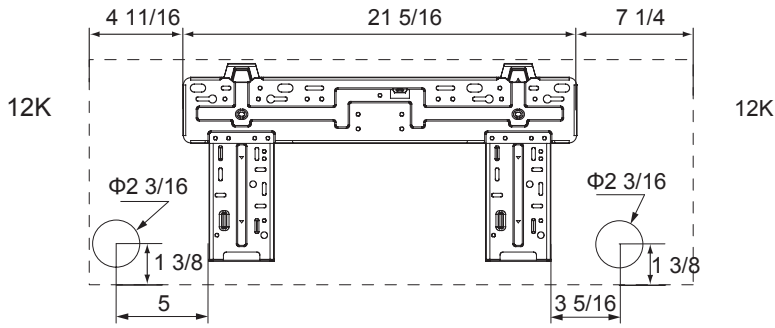
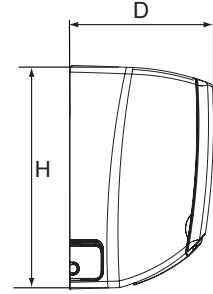
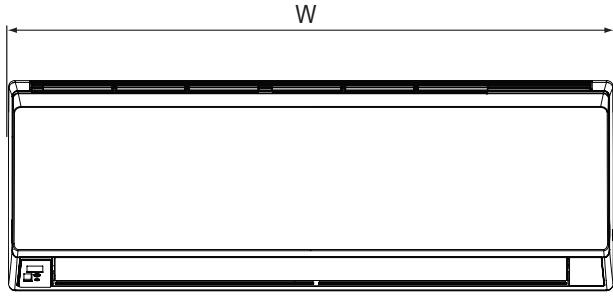
M4THS1512A11NA

Specifications

MODEL - Heat Pump Only	M4MHW1512A / M4THS1512A	
	Cooling	Heating
RATED Volts/PH	208 / 230 / 1	
Frequency (Hz)	60Hz	
Rated Cooling / Heating Capacity (Btu/h):	12000	13000
Minimum Cooling Capacity (@95F) (Btu/h):	3700	-
Maximum Cooling Capacity (@95F) (Btu/h):	12500	-
Minimum Heating Capacity (@47F) (Btu/h):	-	3900
Maximum Heating Capacity (@47F) (Btu/h):	-	14000
Maximum Heating Capacity (@17F) (Btu/h):	-	8100
Total Capacity (W) (High/Standard/Low):	3600 / 3500 / 1100	4100 / 3800 / 1100
Rated Power Input (W)	1300	1250
Nominal Input Current (A)	5.8	5.6
SEER / HSPF	15.00	9.0
Air Flow Volume (CFM) (H/M/L)	390 / 310 / 250 / 190	
Dehumidifying Volume (pt./h)	2.96	
EER/COP (@95F)	9.25	10.4
Indoor Unit		
M4MHW1512A1N0		
Fan Motor Speed (r/min) (SH/H/M/L)	1350 / 1200 / 1000 / 800 1350 / 1200 / 1000 / 900	
Fan Motor RLA(A)	0.31	
Evaporator	Aluminum Fin-Copper Tube	
Pipe Diameter (inch)	1/5	
Row Fin Gap (inch)	2 - 1/18	
Coil length (L) x depth (D) x coil width (W) (inch)	25 x 7/8 x 12 1/16	
Output of Swing Motor (W)	1.5	
Fuse (A)	3.15	
Sound Power Level dB (A)(SH/H/M/L)	55 / 49 / 45 / 39	
Sound PRESSURE Level dB (A)(SH/H/M/L) ①	45 / 39 / 35 / 29	
Uncrated Dimension (W/H/D) (inch)	33 1/4 x 11 3/8 x 8 2/9	
Crated Dimension of Package (L/W/H) (inch)	36 1/4 x 11 x 15	
Net Weight /Gross Weight (lbs)	23.2 / 28.7	
Outdoor Unit		
M4THS1512A11N		
Compressor Type	Swing Rotary	
Compressor Oil	DAPHNE FVC50K (PVE Oil)	
L.R.A. (A)	16.50	
Compressor RLA(A)	6.60	
Compressor Power Input(W)	845	
Throttling Method	Capillary	
Working Temp Range (°F)	0 - 115 -4 - 75	
Condenser	Aluminum Fin-Copper Tube	
Pipe Diameter (inch)	2/7	
Row Fin Gap (inch)	2 - 1/18	
Coil length (l) x depth (D) x coil width (W) (inch)	28 x 1 1/2 x 20	
Fan Motor Speed (rpm)	820±20	
Output of Fan Motor (W)	30	
Fan Motor RLA (A)	0.37	
Air Flow Volume of Outdoor Unit (CFM)	942	
Fan Diameter (inch)	15 3/4	
Defrosting Method	Automatic Defrosting	
Sound Power Level dB (A)	63	
Sound PRESSURE Level dB (A) ①	53	
Uncrated Dimension (W/H/D) (inch)	30 5/9 x 21 1/4 x 12 3/5	
Crated Dimension of Package (W/L/H) (inch)	33 1/2 x 14 2/7 x 23 3/7	
Net Weight /Gross Weight (lbs)	69.5 / 75.0	
Refrigerant Charge (oz)	30.0	
MCA	9.0	
MOP	15.0	
Connection Pipe		
Gas additional charge(oz/ft)	0.2	
Outer Diameter Liquid Pipe (inch)	1/4	
Outer Diameter Gas Pipe (inch)	3/8	
Max Height Distance (ft)	65	
Max Length Distance (ft)	100	

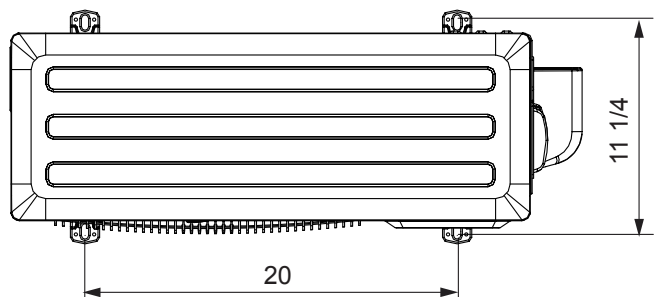
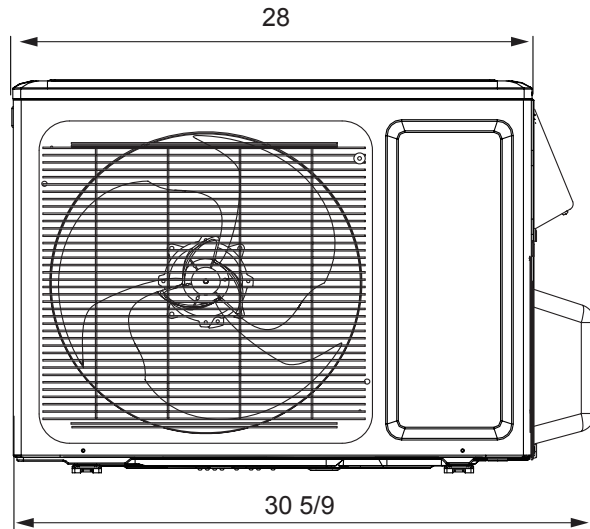
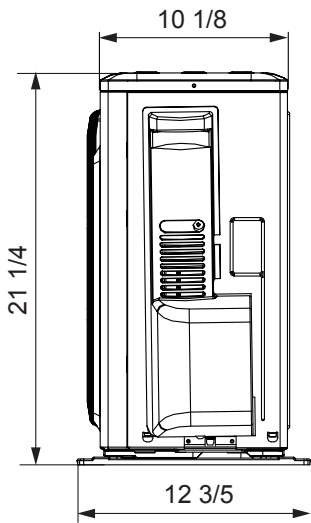
① Sound PRESSURE Level @ 3.3 ft. dB(A)

Unit Dimensions

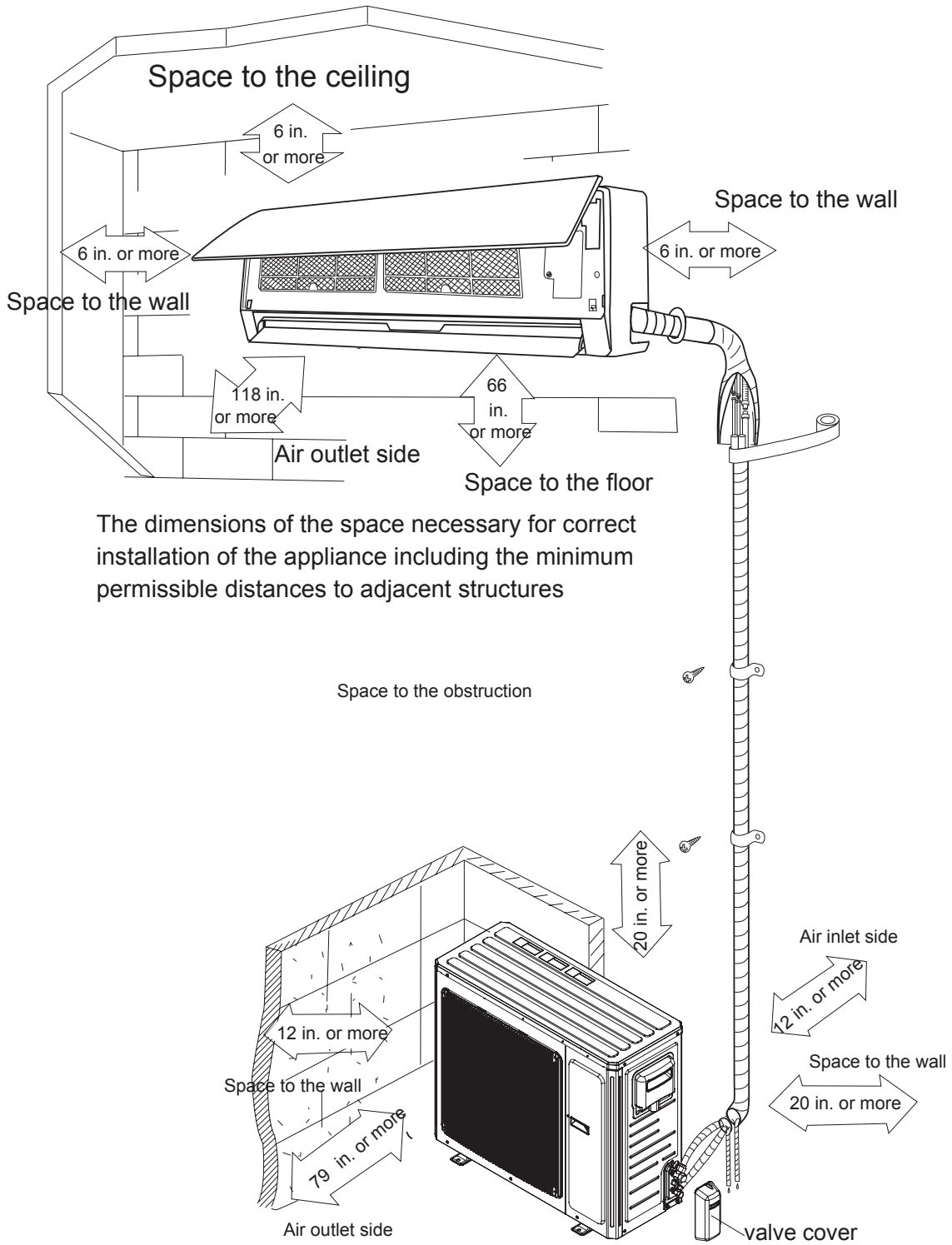


Unit: inch

MODEL	W	H	D
09K	$31 \frac{1}{9}$	$10 \frac{5}{6}$	$7 \frac{7}{8}$
12K	$33 \frac{1}{4}$	$11 \frac{3}{8}$	$8 \frac{2}{9}$



Clearance Requirements



NOTE:

The maximum recommended height from the floor to the bottom of the indoor unit is 11.5 ft. (3.5 m).

Air Velocity Patterns for High Wall		
Max Horizontal Distance		
Unit: ft. (m)		
Model	Cooling Mode	Heating Mode
M4MHW1512A	29.5 (9)	19.7 (6)

Performance Data

COOLING PERFORMANCE

M4MHW1512A
M4THS1512A

Outdoor		68F DB (20C)		73F DB (23C)		80F DB (27C)		82F DB (28C)	
Coil air		57F WB (14C)		61F WB (16C)		67F WB (19C)		68F WB (20C)	
DB F	DB C	TC	SHC	TC	SHC	TC	SHC	TC	SHC
0	-18	5100	4000	5350	4200	6650	5200	6550	5100
5	-15	6100	4800	6450	5050	7700	6000	7750	6100
14	-10	7650	6000	8100	6350	9150	7150	9500	7450
23	-5	7850	6150	8300	6500	9500	7450	9900	7750
32	0	8400	6600	9000	7050	10300	8050	10750	8400
41	5	10200	8000	10900	8550	11950	9350	13050	10200
50	10	11550	9050	12250	9600	13100	10300	14050	11050
59	15	11400	8950	12150	9500	13000	10200	13900	10900
68	20	11150	8700	11850	9300	12850	10100	13700	10750
77	25	10850	8500	11550	9050	12650	9900	13550	10600
86	30	10550	8300	11300	8850	12400	9700	13350	10450
95	35	10250	8050	11000	8600	12050	9450	13150	10300
104	40	9750	7650	10500	8200	11700	9200	12650	9900
113	45	9250	7250	10000	7800	11200	8800	12150	9500

HEATING PERFORMANCE

M4MHW1512A
M4THS1512A

Outdoor		68F DB (20C)	73F DB (23C)	80F DB (27C)	82F DB (28C)
Coil air		57F WB (14C)	61F WB (16C)	67F WB (19C)	68F WB (20C)
DB F	DB C	TC	TC	TC	TC
-4	-20	6800	6650	6550	6400
0	-18	7350	7250	7100	6950
6	-14	7750	7600	7500	7300
10	-12	8100	7950	7800	7600
16	-9	8300	8200	8000	7850
19	-7	8500	8350	8200	8000
24	-4	9450	9300	9150	8950
32	0	10550	10400	10250	10050
41	5	11800	11700	11500	11350
43	6	12150	12000	11850	11650
47	8	13200	12950	12700	12400
53	12	13350	13100	12850	12550
59	15	13650	13400	13150	12800
64	18	13950	13700	13400	13100
70	21	14200	13950	13650	13350
75	24	14400	14150	13850	13500

Capacities in these performance tables reflect normal operation at the temperatures indicated. See specification tables for certified values under prescribed test conditions.

Mechanical Specifications

Mini-Split Outdoor Unit

General

This unit is fully charged from the factory for up to 25 feet of piping. This unit is designed to operate at outdoor ambient temperatures as high as 115°F. Cooling capacities with the mini-split air handler shown in the catalog are AHRI certified. The unit is ETL listed for outdoor application.

Unit Casing

The unit casing is constructed of heavy gauge, galvanized steel and painted with a weather-resistant powder paint.

Refrigerant Controls

Refrigeration system controls include condenser fan and compressor relay. High and low pressure controls are inherent to the compressor. A suction line multi function service valve is standard

Compressor

The compressor features internal over temperature and pressure protection; total dipped hermetic motor windings. Other features include: centrifugal oil pump and low vibration and noise.

Condenser Coil

The coil shall consist of aluminum finned coils brazed to copper tubing. The coil provides air flow resistance and efficient heat transfer. The coil is protected by the casing.

Low Ambient Cooling

Matched Ameristar ductless products, have cooling capabilities at outdoor ambient temperatures as low as 0° F.

Mini-Split Indoor High Wall

General

The High Wall mounted type air handler shall be completely factory assembled including coil, condensate drain pan, fan motor, washable filter, air purifying filter and electric controls to be used with a wireless remote controller. Unit shall be shipped with a unit mounting plate. Unit shall be matched with an Ameristar outdoor unit, rated and tested in accordance with AHRI standard. Unit shall be ETL listed.

Unit Casing

Casing shall be provided with knockouts on the right, and left of the unit to facilitate piping and electrical connection on either side of the unit. An electrical service cover shall be provided to permit easy access to the electrical terminal strip.

Discharge Airflow and Distribution System

Unit shall have auto swing, dual horizontal blades to optimize the aperture outlet for vertical airflow and air distribution. Blade shall close automatically when the air conditioner is turned off to minimize dust entering the unit. Five-Step preset program on the remote controller shall be available to control the blade angle.

Manually adjusted wide-angle louvers shall be provided to adjust the coverage and direction of airflow.

Controls

Units shall have the capability to be controlled remotely through wall-mounted wired options as well as a wireless remote option.

Remote Controller

The unit shall have a wireless infrared remote controller with easy reading digital display panel to start, stop and regulate the air conditioner from a distance.

The wireless controller is available for all units. **(Sold separately)**

Healthy Filters

The unit shall have an active carbon and catechin filter with the unit. The filters need to be cleaned at least once a year.



TAG: _____

SUBMITTAL

15 SERIES

Single Zone Mini-Split Inverter System

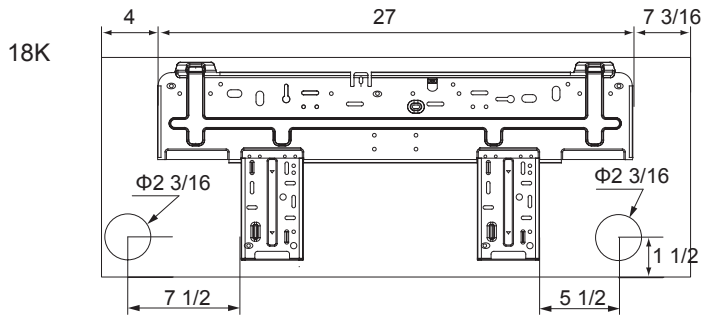
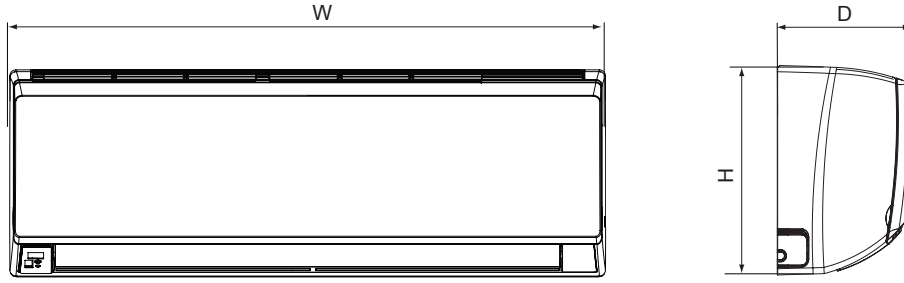
M4MHW1518A1N0A
M4THS1518A11NA

Specifications

MODEL - Heat Pump Only	M4MHW1518A / M4THS1518A	
	Cooling	Heating
RATED Volts/PH	208 / 230 / 1	
Frequency (Hz)	60Hz	
Rated Cooling / Heating Capacity (Btu/h):	18000	19000
Minimum Cooling Capacity (@95F) (Btu/h):	7100	-
Maximum Cooling Capacity (@95F) (Btu/h):	20000	-
Minimum Heating Capacity (@47F) (Btu/h):	-	7300
Maximum Heating Capacity (@47F) (Btu/h):	-	23400
Maximum Heating Capacity (@17F) (Btu/h):	-	12000
Total Capacity (W) (High/Standard/Low):	5800 / 5200 / 2100	6800 / 5500 / 2100
Rated Power Input (W)	1920	2000
Nominal Input Current (A)	8.5	8.9
SEER / HSPF	15.0	9.0
Air Flow Volume (CFM) (H/M/L)	470 / 400 / 340 / 280	
Dehumidifying Volume (pt./h)	3.8	
EER/COP (@95F)	9.0	9.5
Indoor Unit		
M4MHW1518A1N0		
Fan Motor Speed (r/min) (SH/H/M/L)	1350 / 1200 / 1050 / 900	1300 / 1200 / 1100 / 900
Fan Motor RLA(A)	0.30	
Evaporator	Aluminum Fin-Copper Tube	
Pipe Diameter (inch)	2/7	
Row Fin Gap (inch)	2 - 1/18	
Coil length (L) x depth (D) x coil width (W) (inch)	28 1/7 x 1 x 12	
Output of Swing Motor (W)	2.5	
Fuse (A)	3.15	
Sound Power Level dB (A)(SH/H/M/L)	56 / 52 / 49 / 45	
Sound PRESSURE Level dB (A)(SH/H/M/L) ①	46 / 42 / 39 / 35	
Uncrated Dimension (W/H/D) (inch)	38 1/5 x 11 4/5 x 8 5/6	
Crated Dimension of Package (L/W/H) (inch)	41 x 15 x 12 3/5	
Net Weight /Gross Weight (lbs)	29.8 / 36.4	
Outdoor Unit		
M4THS1518A11N		
Compressor Type	Rotary	
Compressor Oil	RB68EB (POE Oil)	
L.R.A. (A)	16.5	
Compressor RLA(A)	12.08	
Compressor Power Input(W)	1440	
Throttling Method	Capillary	
Working Temp Range (°F)	0 - 115	-4 - 75
Condenser	Aluminum Fin-Copper Tube	
Pipe Diameter (inch)	3/8	
Row Fin Gap (inch)	1 - 1/18	
Coil length (l) x depth (D) x coil width (W) (inch)	33 5/8 x 6/7 x 26	
Fan Motor Speed (rpm)	800	
Output of Fan Motor (W)	60	
Fan Motor RLA (A)	0.52	
Air Flow Volume of Outdoor Unit (CFM)	1883	
Fan Diameter (inch)	20.5	
Defrosting Method	Automatic Defrosting	
Sound Power Level dB (A)	66	
Sound PRESSURE Level dB (A) ①	56	
Uncrated Dimension (W/H/D) (inch)	37 3/5 x 27 5/9 x 15 3/5	
Crated Dimension of Package (W/L/H) (inch)	40 1/2 x 18 x 29 1/2	
Net Weight /Gross Weight (lbs)	95.9 / 105.8	
Refrigerant Charge (oz)	49.4	
MCA	16.0	
MOP	25.0	
Connection Pipe		
Gas additional charge(oz/ft)	0.2	
Outer Diameter Liquid Pipe (inch)	1/4	
Outer Diameter Gas Pipe (inch)	1/2	
Max Height Distance (ft)	65	
Max Length Distance (ft)	130	

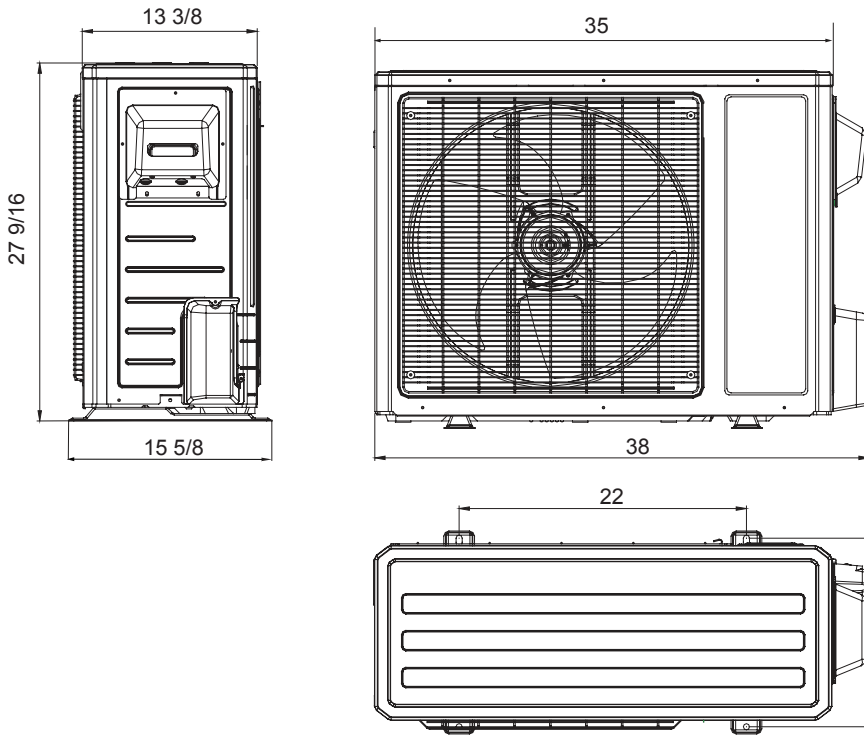
① Sound PRESSURE Level @ 3.3 ft. dB(A)

Unit Dimensions



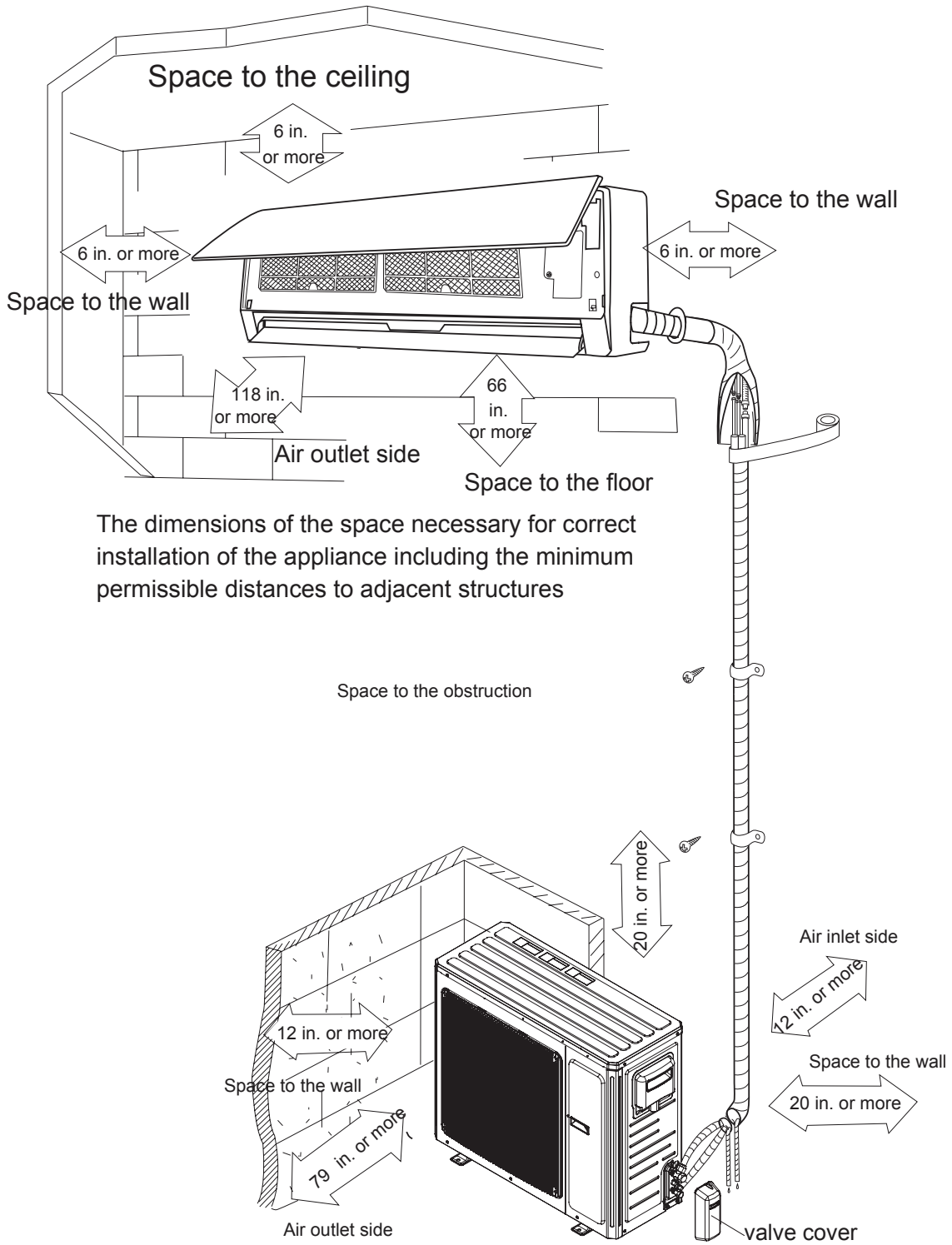
Unit: inch

Models	W	H	D
18K	38 1/5	11 4/5	8 5/6
24K	42 4/9	12 4/5	9 2/3



Unit: inch

Clearance Requirements



NOTE:

The maximum recommended height from the floor to the bottom of the indoor unit is 11.5 ft. (3.5 m).

Air Velocity Patterns for High Wall		
Max Horizontal Distance		
Unit: ft. (m)		
Model	Cooling Mode	Heating Mode
M4MHW1518A	30.2 (9.2)	21.3 (6.5)

Performance Data

COOLING PERFORMANCE

M4MHW1518A
M4THS1518A

Outdoor		68F DB (20C)		73F DB (23C)		80F DB (27C)		82F DB (28C)	
Coil air		57F WB (14C)		61F WB (16C)		67F WB (19C)		68F WB (20C)	
DB F	DB C	TC	SHC	TC	SHC	TC	SHC	TC	SHC
0	-18	9450	7400	9850	7700	11200	8750	11850	9300
5	-15	10300	8050	10850	8500	12250	9600	12650	9900
14	-10	11950	9350	12600	9900	14250	11150	14650	11500
23	-5	13100	10250	14000	10950	16050	12550	16500	12950
32	0	13550	10650	14500	11400	16650	13050	17150	13450
41	5	14100	11050	15050	11800	17250	13550	17800	13950
50	10	14600	11450	15650	12250	17900	14050	18450	14450
59	15	15850	12450	17000	13300	18600	14550	19150	15000
68	20	18000	14100	19100	14950	20400	16000	21050	16500
77	25	17750	13900	18900	14800	20250	15850	20850	16350
86	30	16900	13250	18000	14100	19650	15400	20250	15850
95	35	16000	12500	16300	12800	18750	14700	19300	15100
104	40	15200	11900	15550	12200	17350	13600	17900	14000
113	45	14450	11300	15000	11750	16150	12650	16600	13000

HEATING PERFORMANCE

M4MHW1518A
M4THS1518A

Outdoor		68F DB (20C)	73F DB (23C)	80F DB (27C)	82F DB (28C)
Coil air		57F WB (14C)	61F WB (16C)	67F WB (19C)	68F WB (20C)
DB F	DB C	TC	TC	TC	TC
-4	-20	10200	10050	9850	9750
0	-18	11600	11400	11200	11050
6	-14	12700	12500	12250	12150
10	-12	13200	12950	12750	12600
16	-9	14550	14350	14100	13950
19	-7	15600	15350	15000	14950
24	-4	16250	16000	15750	15600
32	0	17100	16800	16400	16200
41	5	18800	18600	18250	18100
43	6	19300	19100	18700	18550
47	8	19900	19550	19150	18950
53	12	20100	19750	19350	19150
59	15	20550	20200	19800	19600
64	18	21000	20600	20200	20000

Capacities in these performance tables reflect normal operation at the temperatures indicated. See specification tables for certified values under prescribed test conditions.

Mechanical Specifications

Mini-Split Outdoor Unit

General

This unit is fully charged from the factory for up to 25 feet of piping. This unit is designed to operate at outdoor ambient temperatures as high as 115°F. Cooling capacities with the mini-split air handler shown in the catalog are AHRI certified. The unit is ETL listed for outdoor application.

Unit Casing

The unit casing is constructed of heavy gauge, galvanized steel and painted with a weather-resistant powder paint.

Refrigerant Controls

Refrigeration system controls include condenser fan and compressor relay. High and low pressure controls are inherent to the compressor. A suction line multi function service valve is standard

Compressor

The compressor features internal over temperature and pressure protection; total dipped hermetic motor windings. Other features include: centrifugal oil pump and low vibration and noise.

Condenser Coil

The coil shall consist of aluminum finned coils brazed to copper tubing. The coil provides air flow resistance and efficient heat transfer. The coil is protected by the casing.

Low Ambient Cooling

Matched Ameristar ductless products, have cooling capabilities at outdoor ambient temperatures as low as 0° F.

Mini-Split Indoor High Wall

General

The High Wall mounted type air handler shall be completely factory assembled including coil, condensate drain pan, fan motor, washable filter, air purifying filter and electric controls to be used with a wireless remote controller. Unit shall be shipped with a unit mounting plate. Unit shall be matched with an Ameristar outdoor unit, rated and tested in accordance with AHRI standard. Unit shall be ETL listed.

Unit Casing

Casing shall be provided with knockouts on the right, and left of the unit to facilitate piping and electrical connection on either side of the unit. An electrical service cover shall be provided to permit easy access to the electrical terminal strip.

Discharge Airflow and Distribution System

Unit shall have auto swing, dual horizontal blades to optimize the aperture outlet for vertical airflow and air distribution. Blade shall close automatically when the air conditioner is turned off to minimize dust entering the unit. Five-Step preset program on the remote controller shall be available to control the blade angle.

Manually adjusted wide-angle louvers shall be provided to adjust the coverage and direction of airflow.

Controls

Units shall have the capability to be controlled remotely through wall-mounted wired options as well as a wireless remote option.

Remote Controller

The unit shall have a wireless infrared remote controller with easy reading digital display panel to start, stop and regulate the air conditioner from a distance.

The wireless controller is available for all units. **(Sold separately)**

Healthy Filters

The unit shall have an active carbon and catechin filter with the unit. The filters need to be cleaned at least once a year.



TAG: _____

SUBMITTAL

15 SERIES

Single Zone Mini-Split Inverter System

M4MHW1524A1N0A

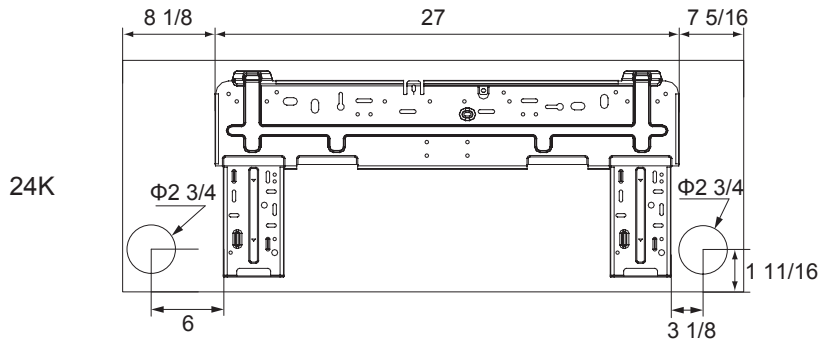
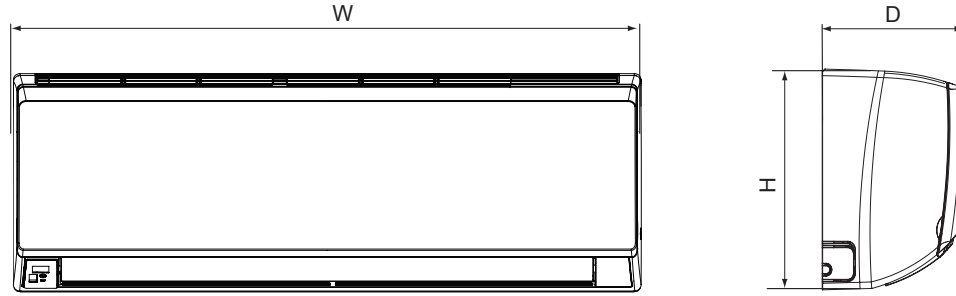
M4THS1524A11NA

Specifications

MODEL - Heat Pump Only	M4MHW1524A / M4THS1524A	
	Cooling	Heating
RATED Volts/PH	208 / 230 / 1	
Frequency (Hz)	60Hz	
Rated Cooling / Heating Capacity (Btu/h):	22000	23000
Minimum Cooling Capacity (@95F) (Btu/h):	8600	-
Maximum Cooling Capacity (@95F) (Btu/h):	23200	-
Minimum Heating Capacity (@47F) (Btu/h):	-	8600
Maximum Heating Capacity (@47F) (Btu/h):	-	26000
Maximum Heating Capacity (@17F) (Btu/h):	-	13500
Total Capacity (W) (High/Standard/Low):	6800 / 6400 / 2500	7600 / 6600 / 2500
Rated Power Input (W)	2260	2300
Nominal Input Current (A)	10.0	10.2
SEER / HSPF	15.0	9.0
Air Flow Volume (CFM) (H/M/L)	700 / 640 / 580 / 520	
Dehumidifying Volume (pt./h)	5.3	
EER/COP (@95F)	9.8	10.0
Indoor Unit		
	M4MHW1524A1N0	
Fan Motor Speed (r/min) (SH/H/M/L)	1250 / 1100 / 900 / 800	1150 / 1000 / 900 / 850
Fan Motor RLA(A)	0.32	
Evaporator	Aluminum Fin-Copper Tube	
Pipe Diameter (inch)	2/7	
Row Fin Gap (inch)	2 - 1/17	
Coil length (L) x depth (D) x coil width (W) (inch)	33 1/4 x 1 x 13 1/2	
Output of Swing Motor (W)	2.5	
Fuse (A)	3.15	
Sound Power Level dB (A)(SH/H/M/L)	58 / 54 / 50 / 46	
Sound PRESSURE Level dB (A)(SH/H/M/L) ①	48 / 44 / 40 / 36	
Uncrated Dimension (W/H/D) (inch)	42 4/9 x 12 4/5 x 9 2/3	
Crated Dimension of Package (L/W/H) (inch)	45 1/5 x 16 1/4 x 13 7/9	
Net Weight /Gross Weight (lbs)	37.5 / 45.2	
Outdoor Unit		
	M4THS1524A11N	
Compressor Type	Rotary	
Compressor Oil	RB68EB (POE Oil)	
L.R.A. (A)	25.0	
Compressor RLA(A)	12.18	
Compressor Power Input(W)	1440	
Throttling Method	Capillary	
Working Temp Range (°F)	0 - 115	-4 - 75
Condenser	Aluminum Fin-Copper Tube	
Pipe Diameter (inch)	3/8	
Row Fin Gap (inch)	2 - 1/18	
Coil length (l) x depth (D) x coil width (W) (inch)	33 1/3 x 1 3/4 x 26	
Fan Motor Speed (rpm)	800	
Output of Fan Motor (W)	60	
Fan Motor RLA (A)	0.40	
Air Flow Volume of Outdoor Unit (CFM)	1883	
Fan Diameter (inch)	20.5	
Defrosting Method	Automatic Defrosting	
Sound Power Level dB (A)	69	
Sound PRESSURE Level dB (A) ①	59	
Uncrated Dimension (W/H/D) (inch)	37 3/5 x 27 5/9 x 15 3/5	
Crated Dimension of Package (W/L/H) (inch)	40 1/2 x 18 x 29 1/2	
Net Weight /Gross Weight (lbs)	110.3 / 120.2	
Refrigerant Charge (oz)	65.3	
MCA	16.0	
MOP	25.0	
Connection Pipe		
Gas additional charge(oz/ft)	0.5	
Outer Diameter Liquid Pipe (inch)	1/4	
Outer Diameter Gas Pipe (inch)	5/8	
Max Height Distance (ft)	65	
Max Length Distance (ft)	130	

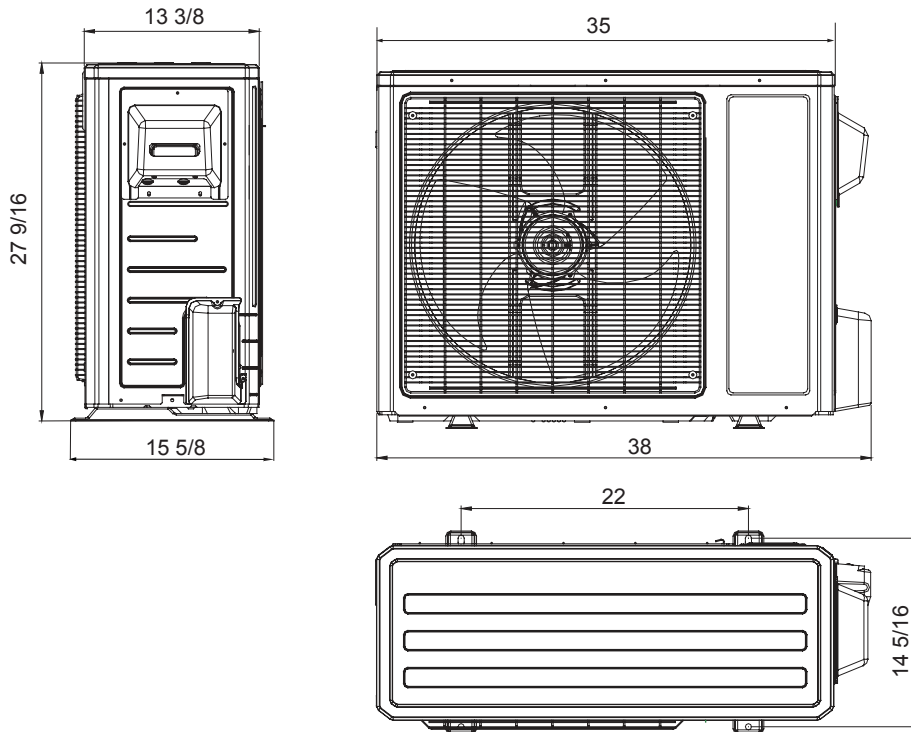
① Sound PRESSURE Level @ 3.3 ft. dB(A)

Unit Dimensions



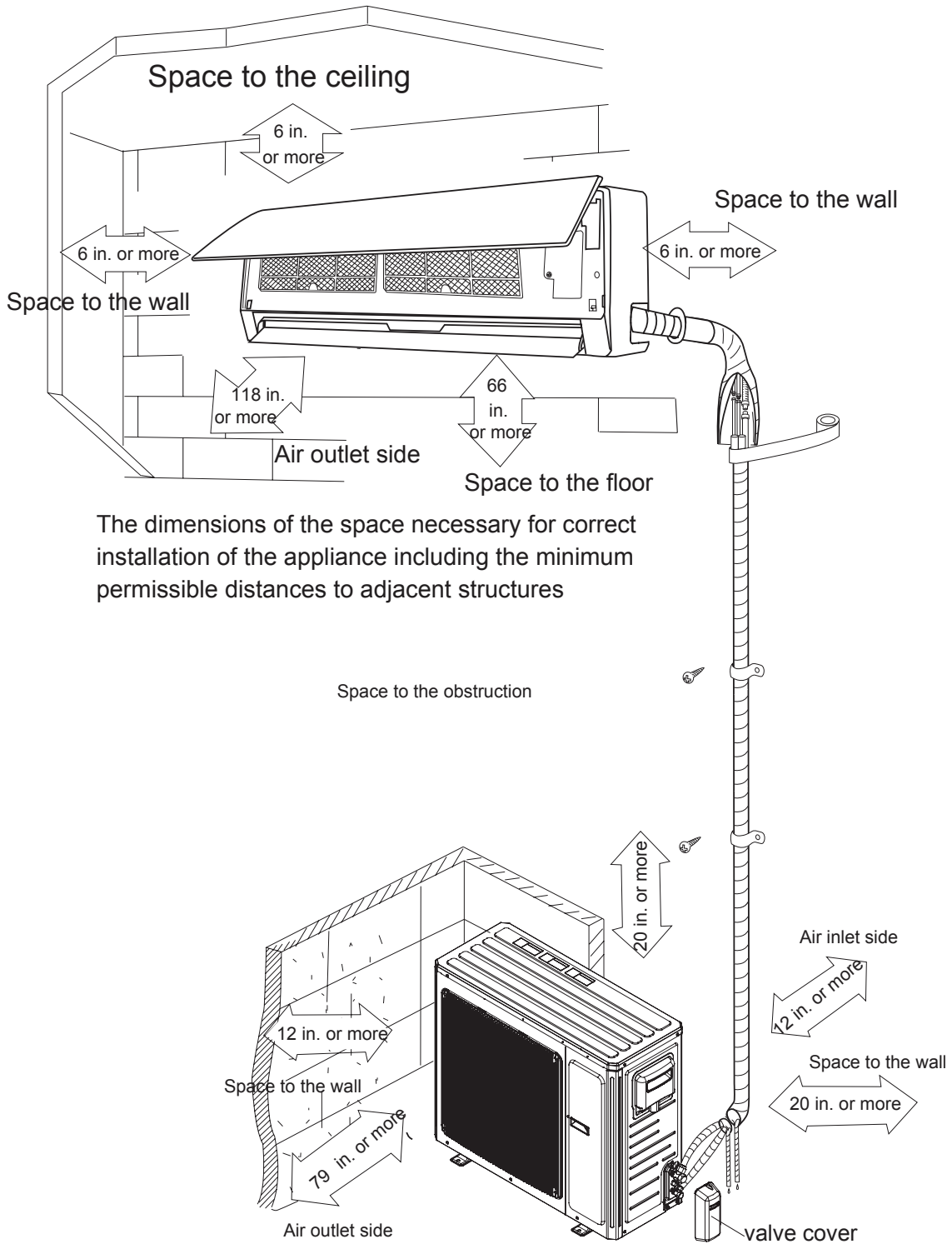
Unit: inch

Models	W	H	D
18K	38 1/5	11 4/5	8 5/6
24K	42 4/9	12 4/5	9 2/3



Unit: inch

Clearance Requirements



NOTE:

The maximum recommended height from the floor to the bottom of the indoor unit is 11.5 ft. (3.5 m).

Air Velocity Patterns for High Wall		
Max Horizontal Distance		
Unit: ft. (m)		
Model	Cooling Mode	Heating Mode
M4MHW1524A	31.2 (9.5)	23 (7)

Performance Data

COOLING PERFORMANCE

M4MHW1524A
M4THS1524A

Outdoor		68F DB (20C)		73F DB (23C)		80F DB (27C)		82F DB (28C)	
Coil air		57F WB (14C)		61F WB (16C)		67F WB (19C)		68F WB (20C)	
DB F	DB C	TC	SHC	TC	SHC	TC	SHC	TC	SHC
0	-18	10850	8500	11350	8900	12850	10050	13100	10250
5	-15	12100	9500	12800	10000	14450	11300	14850	11650
14	-10	14050	11000	14850	11650	16750	13150	17250	13500
23	-5	15400	12050	16450	12900	18850	14800	19450	15250
32	0	15950	12500	17100	13400	19600	15350	20150	15800
41	5	16550	13000	17700	13900	20300	15900	20900	16400
50	10	17200	13450	18400	14400	21050	16500	21700	17000
59	15	18650	14650	19950	15650	21850	17150	22550	17650
68	20	21150	16550	22450	17600	24000	18800	24750	19400
77	25	20900	16400	22250	17400	23800	18650	24500	19200
86	30	19850	15550	21200	16600	23150	18150	23800	18650
95	35	18800	14750	19200	15050	22050	17250	22700	17800
104	40	17900	14000	18300	14300	20450	16000	21050	16500
113	45	16950	13300	17600	13800	18950	14850	19550	15300

HEATING PERFORMANCE

M4MHW1524A
M4THS1524A

Outdoor		68F DB (20C)	73F DB (23C)	80F DB (27C)	82F DB (28C)
Coil air		57F WB (14C)	61F WB (16C)	67F WB (19C)	68F WB (20C)
DB F	DB C	TC	TC	TC	TC
-4	-20	11750	11550	11300	11200
0	-18	12750	12500	12250	12150
6	-14	13450	13200	12950	12800
10	-12	15000	14750	14500	14350
16	-9	16400	16200	15900	15750
19	-7	17400	17150	16650	16450
24	-4	18350	18100	17800	17650
32	0	19300	19050	18650	18500
41	5	21500	21250	20850	20650
43	6	22050	21800	21350	21150
47	8	22850	22450	22000	21800
53	12	23100	22700	22250	22000
59	15	23600	23200	22750	22500
64	18	24100	23700	23200	23000
70	21	24550	24150	23650	23450
75	24	24900	24500	24000	23750

Capacities in these performance tables reflect normal operation at the temperatures indicated. See specification tables for certified values under prescribed test conditions.

Mechanical Specifications

Mini-Split Outdoor Unit

General

This unit is fully charged from the factory for up to 25 feet of piping. This unit is designed to operate at outdoor ambient temperatures as high as 115°F. Cooling capacities with the mini-split air handler shown in the catalog are AHRI certified. The unit is ETL listed for outdoor application.

Unit Casing

The unit casing is constructed of heavy gauge, galvanized steel and painted with a weather-resistant powder paint.

Refrigerant Controls

Refrigeration system controls include condenser fan and compressor relay. High and low pressure controls are inherent to the compressor. A suction line multi function service valve is standard

Compressor

The compressor features internal over temperature and pressure protection; total dipped hermetic motor windings. Other features include: centrifugal oil pump and low vibration and noise.

Condenser Coil

The coil shall consist of aluminum finned coils brazed to copper tubing. The coil provides air flow resistance and efficient heat transfer. The coil is protected by the casing.

Low Ambient Cooling

Matched Ameristar ductless products, have cooling capabilities at outdoor ambient temperatures as low as 0° F.

Mini-Split Indoor High Wall

General

The High Wall mounted type air handler shall be completely factory assembled including coil, condensate drain pan, fan motor, washable filter, air purifying filter and electric controls to be used with a wireless remote controller. Unit shall be shipped with a unit mounting plate. Unit shall be matched with an Ameristar outdoor unit, rated and tested in accordance with AHRI standard. Unit shall be ETL listed.

Unit Casing

Casing shall be provided with knockouts on the right, and left of the unit to facilitate piping and electrical connection on either side of the unit. An electrical service cover shall be provided to permit easy access to the electrical terminal strip.

Discharge Airflow and Distribution System

Unit shall have auto swing, dual horizontal blades to optimize the aperture outlet for vertical airflow and air distribution. Blade shall close automatically when the air conditioner is turned off to minimize dust entering the unit. Five-Step preset program on the remote controller shall be available to control the blade angle.

Manually adjusted wide-angle louvers shall be provided to adjust the coverage and direction of airflow.

Controls

Units shall have the capability to be controlled remotely through wall-mounted wired options as well as a wireless remote option.

Remote Controller

The unit shall have a wireless infrared remote controller with easy reading digital display panel to start, stop and regulate the air conditioner from a distance.

The wireless controller is available for all units. **(Sold separately)**

Healthy Filters

The unit shall have an active carbon and catechin filter with the unit. The filters need to be cleaned at least once a year.

