

PAY LINE DIVISION OF INTERNATIONAL HARVESTER

PARTS CATALOG

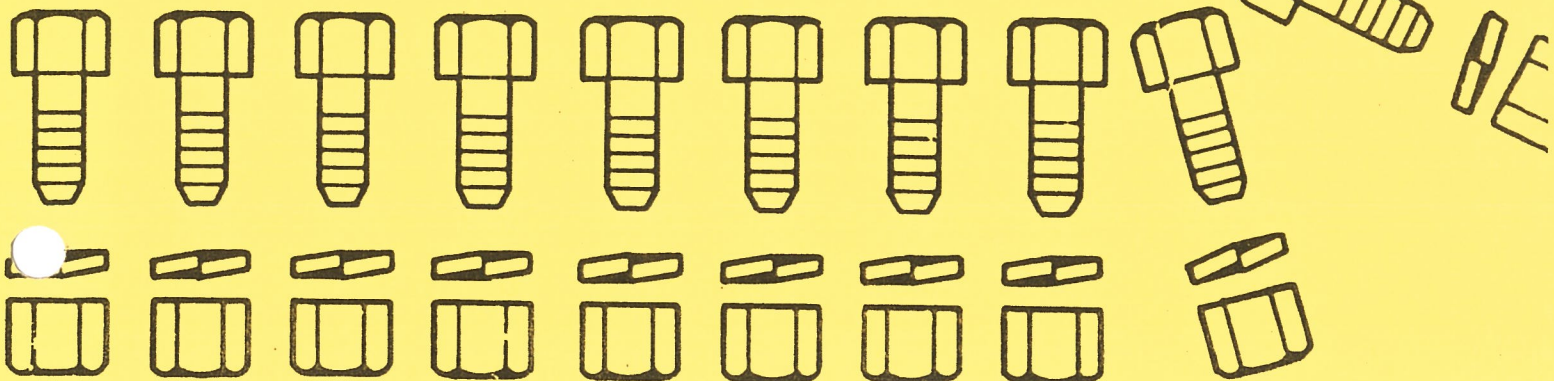
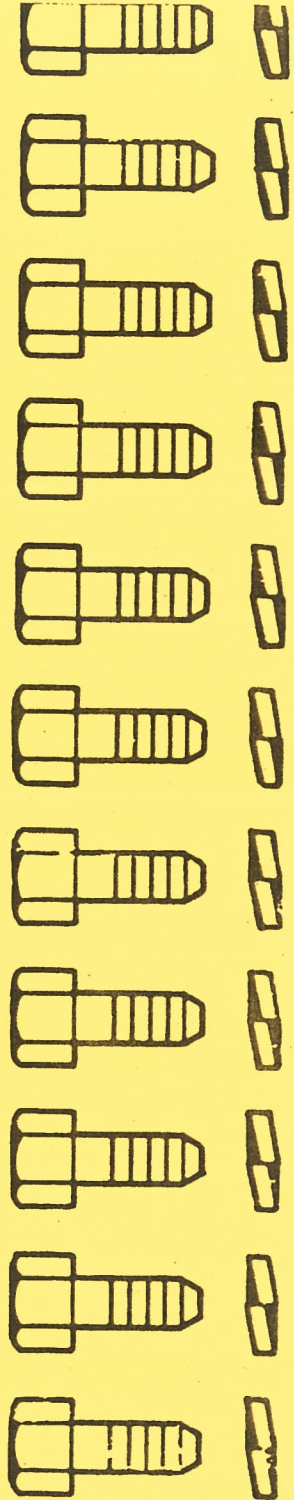
MODEL TD-15C

PAYDOZER

FORM PC-TD-15C-4

FEBRUARY, 1980

(Supersedes FORM PC-TD-15C-3)



Due to a continuous program of research and development, some procedures, specifications and parts may be altered in a constant effort to improve machines.

Periodic revisions may be made to this publication and mailed automatically to distributors. It is recommended that customers contact their distributor for information on the latest revision.

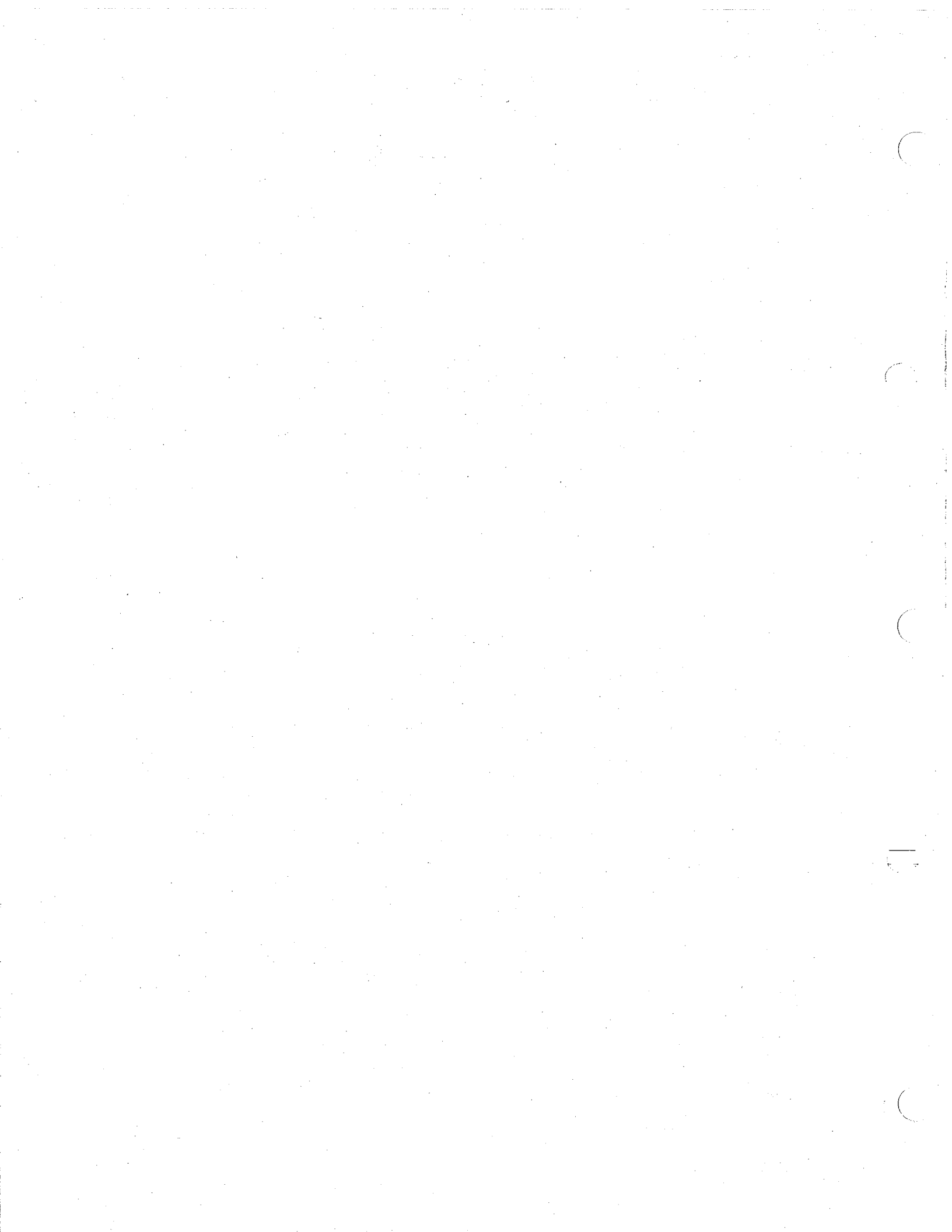
MODEL TD-15C

PAYDOZER

FORM PC-TD-15C-4

FEBRUARY, 1980

(Supersedes FORM PC-TD-15C-3)



PAYLINE PUBLICATIONS INFORMATION

The following basic publications are available for additional information on this particular machine. Special publications, other than the basic publications shown below, can be ordered from the PAYLINE Index and Price List. (*) Please tear out this page and check the publications desired. Fill in ALL the information requested and mail to:

International Harvester Company, Printing and Distribution Services, 807 Blackhawk Drive, Westmont, Illinois 60559
Attn: PAYLINE CUSTOMER SALES

Please send me (Check items in box):

	<u>FORM NO.</u>	<u>DESCRIPTION</u>	<u>Price</u>
<input type="checkbox"/>	EPC-400 (DT-466 Engine)	Engine Parts Catalog	\$ 6.50
<input type="checkbox"/>	EPC-400B (DT-466B Engine)	Engine Parts Catalog	5.90
<input type="checkbox"/>		Chassis Parts Catalog	
<input type="checkbox"/>		Chassis Parts Catalog	
<input type="checkbox"/>	OM-TD15C	Operator's Manual	11.60
<input type="checkbox"/>		Operator's Manual	
<input type="checkbox"/>	ISS-1524	Engine Service Manual	15.00
<input type="checkbox"/>		Engine Service Manual	
<input type="checkbox"/>	ISS-1528	Chassis Service Manual	30.00
<input type="checkbox"/>		Chassis Service Manual	
<input type="checkbox"/>	1 085 882 R1	Chassis Safety Manual	1.00
(*) <input type="checkbox"/>	1 019 104 R12 (Or later)	PAYLINE Index and Price List	2.00

(List of all PAYLINE publications available)

Prices subject to change without notice.

NOTE: Enclose check or money order payable to International Harvester Company. DO NOT SEND CASH. (Please allow up to 30 days for delivery.)

TYPE or PRINT information in the spaces below.

Date _____ Amount Enclosed \$ _____

Name _____

Address _____

City _____ State _____ Zip _____

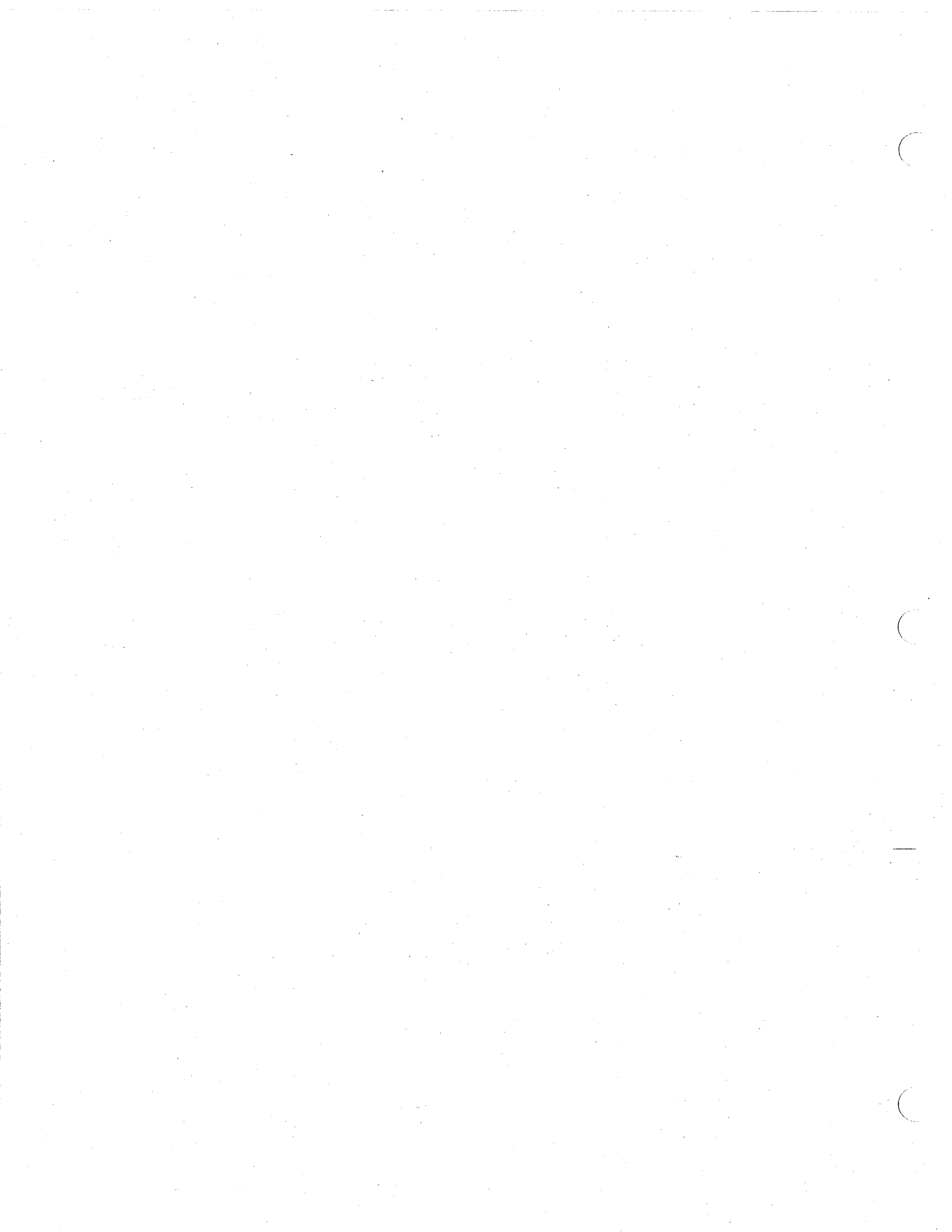
IMPORTANT: THE FOLLOWING IS YOUR RETURN SHIPPING LABEL. PLEASE FILL OUT COMPLETELY AND LEGIBLY. DO NOT DETACH!

FROM: International Harvester Company
Printing and Distribution Services
807 Blackhawk Drive
Westmont, Illinois 60559

TO: Name _____

Address _____

City _____ State _____ Zip _____



SECTION INDEX

ATTACHMENTS	1
MISCELLANEOUS	2
AIR	3
BRAKES	4
STEERING	5
COOLING	6
DRIVE TRAIN	7
ELECTRICAL	8
FRAME	9
HYDRAULICS	10
INSTRUMENTS	11
POWER	12
SUPERSTRUCTURE	13
SUSPENSION	14
WHEELS AND TRACTION	15
BODY-BOWL	16
MOUNTED EQUIPMENT	17
NUMERICAL INDEX	

The black tabs shown on the right-hand side of this page line up with the corresponding tabs in the manual. Tabs are quickly located by bending the manual.

The Importance of ADEQUATE PARTS and SERVICE

The wise purchaser of a new machine gives consideration to the following factors:

1. *Original quality*
2. *Availability of service parts*
3. *Availability of adequate service facilities*

In many cases the machine becomes the only means of performing certain tasks that must be done in a limited period of time. Wear is to be expected and under extreme conditions even breakage of parts may occur. However, the user can still be assured of getting his work done on time if service parts and adequate service facilities are available.

Foresighted International Harvester dealers make every effort to provide good service and maintain a completely adequate stock of service parts.

When in need of parts, always give the International Construction Equipment distributor or dealer authorized to sell or service this machine your serial numbers. We suggest that you write this serial number in the space provided below, for ready reference when parts are required.

CHASSIS SERIAL NO. _____
(Stamped on the model plate attached to the left-hand seat side also on upper right-hand side near face of rear main frame)

ENGINE SERIAL NO. _____
(Stamped on the upper left-hand side of the engine block near the center below the intake manifold)

BULLGRADER SERIAL NO. _____
(IF EQUIPPED) (Stamped on top right-hand corner in back of blade)

BULLDOZER SERIAL NO. _____
(IF EQUIPPED) (Stamped on top right-hand corner in back of blade)

15-260 CABLE CONTROL UNIT SERIAL NO. _____
(IF EQUIPPED) (Stamped on name plate on left-hand side cover)

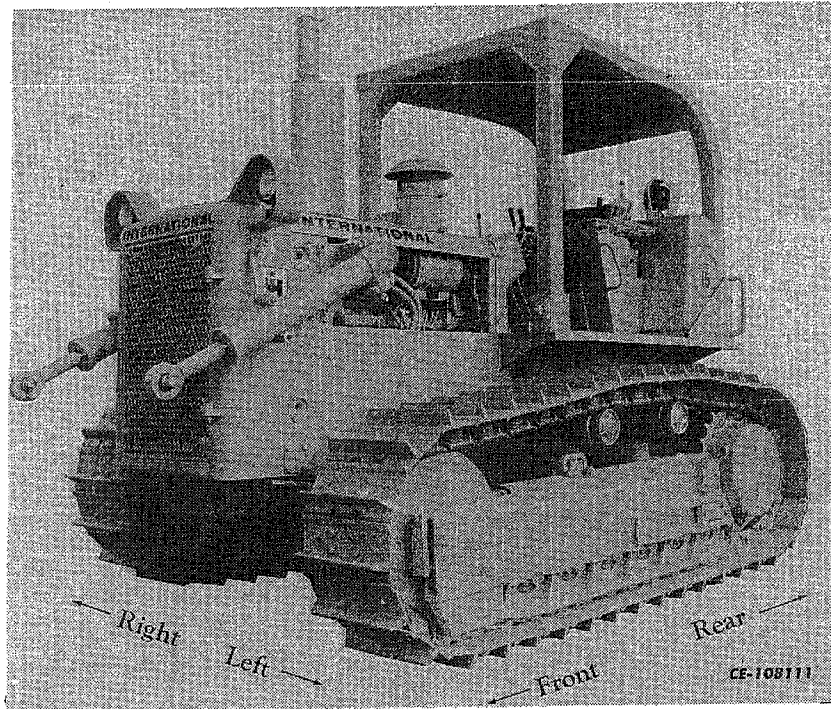
INSTRUCTIONS FOR ORDERING PARTS

- (a) All parts orders should be sent to parts depot when so instructed. Give complete address, state the county and railroad station (when shipping point is different than post office), also whether shipment is to go by parcel post, express, truck or freight.
- (b) When ordering parts, give the IH part number, including suffix or prefix letters. To facilitate identification of these parts, "Complete Serial Numbers" (including letters and numerals) assigned to machines, if any, should be furnished.
- (c) Parts should be ordered on the standard parts order blank. The parts should be arranged in sequence by part numbers to facilitate service on orders at the parts depot.
- (d) Claims for shortage or error in the handling of an order for parts must be made upon receipt of goods.

It is the policy of International Harvester Company to improve its products whenever it is possible and practical to do so.

We reserve the right to make changes or add improvements in the design or construction of parts at any time without incurring the obligation to install such changes on products previously delivered.

INTRODUCTION



TD-15 SERIES C Crawler Tractor

INTRODUCTION

MEMORANDA

INTRODUCTION

This catalog contains a list of chassis parts for the following:

CRAWLER TRACTORS

TD-15 SERIES C	Manual Shift
TD-15 SERIES C	Manual Shift Custom Application
TD-15 SERIES C	Power Shift
TD-15 SERIES C	Power Shift (Low Ground Pressure)

These crawler tractors have a DT-466 six-cylinder 4-3/10 x 5-11/32 inch turbocharged diesel engine. For service parts, refer to Parts Catalog EPC-400 for DT-466 engine or EPC-400B for DT-466B engine.

HYDRAULIC OPERATED BULLGRADERS AND BULLDOZERS

Model 15C D-2	Bulldozer
Model 15C G-2	Bullgrader

CABLE CONTROL UNIT

Model 15-260 Double drum rear mounted

Following is a brief summary of the system used in compiling this catalog. It is to your advantage to carefully study this summary.

This catalog is divided into major sections which, in turn, are sub-divided into units. A listing of the major sections are shown on the flyleaf prefacing this publication. The tabs on the right-hand side of the first page of each of these indexes correspond to the tabs shown on the flyleaf. A numerical index at the back of the catalog contains a listing of part numbers showing the section and page number where each part is listed and described.

Illustrations, in the form of exploded views, are provided to aid in locating and identifying parts. Reference numbers in the illustration tie-in each simple part, assembly or group of parts with a list of parts following each illustration. Parts are listed in reference number order as shown in the illustration, followed by the noun name of the part with the modifying descriptive information which serves to specifically identify the item. Parts not shown in the illustrations appear at the end of the unit list affected. Parts listed are for all applications unless otherwise indicated (by serial number or other means).

NOTE: Refer frequently to the alphabetical index to save time in locating the proper unit.

CAUTION: Reference numbers should not be used when ordering parts. Always use IH part numbers or description when ordering.

Throughout this catalog the term "Front" indicates the radiator end. Whenever the terms "Right" or "Left" are used, it should be understood to mean from a rear position looking toward the radiator end.

The quantity of each item is shown following the description of the item. Where no quantity is shown, this indicates that only "-1-" is required.

In many parts lists, it is possible to include more than one assembly or attachment. The assemblies or attachments are listed at the beginning of the parts lists with the letters A, B, C, etc., preceding the part number of the assembly or attachment. The number required information is shown in parenthesis following the description of the parts. When letters (A, B, C, etc.,) are shown without a quantity, it should be understood to mean only one (1) is required. Parts without letters after the description indicate the part is used for all assemblies or attachments listed in the heading.

ASSEMBLIES AND ATTACHMENTS. Wherever possible, the component parts of assemblies or attachments are shown in the "exploded views" by use of boxes, brackets or arrows. Component parts of assemblies or attachments are listed by one of the following methods.

- The listings are fully covered by descriptions for simple assemblies and attachments.
- When four or more parts are contained in the assemblies or attachments, the listing of components immediately follows the description with the wording "(Composed of-)."
- Assemblies or attachments consisting of many parts shows the assembly or attachment number at the beginning of the unit list, followed by the listing of the components.

Exceptions to the above methods are explained by footnotes in the text.

Individual parts of an assembly which are not available for service are marked with a symbol $\$$. In some instances, such parts are listed with a notation giving the information which is to be used for ordering.

MISCELLANEOUS PARTS. Standard bolts, screws, nuts, etc. — are not identified by a reference number. These parts are known as COMMON HARDWARE items and appear in abbreviated nomenclature and are shown indented under the major items with which they are used. They should be ordered as listed, since they are not component parts of the pieces they attach.

WARNING: Attaching parts especially made for their location should never be substituted with regular standard parts.

INTRODUCTION

SERIAL NUMBERS.

(A) CRAWLER TRACTORS:

Following is a list of starting serial numbers for these units:

<u>Crawler Tractor</u>	<u>Chassis Starting Serial Number (*)</u>
TD-15 Series C Manual Shift	4240001U000501
TD-15 Series C Manual Shift Custom Application	4240003U000501
TD-15 Series C Power Shift	4240002U000501
TD-15 Series C Power Shift (Low Ground Pressure)	4240007U004717

The chassis serial number are stamped on the model plate attached to the left-hand seat side, also, on upper right-hand side near face of rear main frame. On later machines the chassis serial numbers are stamped on the model plate attached to the right-hand front side of the dash in engine compartment.

(B) ENGINES FOR CRAWLER TRACTORS:

For location and starting serial number, on DT-466 engine, refer to Parts Catalog EPC-400; on DT-466B engine, refer to Parts Catalog EPC-400B.

(C) BULLGRADERS AND BULLDOZERS:

Following is a list of starting serial numbers for these units.

<u>Model</u>	<u>Starting Serial Number</u>
Straight Blade Hydraulic Bulldozer	15CD2 9050
Semi "U" Blade Hydraulic Bulldozer	15CD2U8229
Hydraulic Bullgrader	15CG 8674

The serial numbers are stamped on the top right-hand corner in back of blade.

(D) CABLE CONTROL UNIT.

Following is the starting serial number for this unit.

<u>Model</u>	<u>Starting Serial Number</u>
15-260 Double-Drum Rear Cable Control Unit	15-260 501

The serial numbers are stamped on the nameplate on left-hand side cover.

Customers should be urged to supply the serial numbers for the units listed above, when ordering parts.

HOW TO USE THIS CATALOG

There are several ways to find any part quickly, using the major sections listing, various indexes, and illustrations. The following instructions and examples are given as a guide.

- (a) If only the description or name of the part is known, turn to the major section index on flyleaf prefacing this catalog, and determine the section in which the part is most likely to be listed.
- (b) If only the location or function of the part in the unit is known, follow steps outlined in (a) above.
- (c) If the part number of the part is known -

1. Refer to the proper part number in the numerical index at the back of the catalog.
2. Turn to the section and page shown opposite part number.

Refer to Section Two for "Quick Reference List for Filters and Filter Elements."

(*) - Only the sequence number of the complete serial number is listed in this catalog to identify parts.

ALPHABETICAL INDEX

DESCRIPTION	PAGE	FICHE	DESCRIPTION	PAGE	FICHE
A			C - Continued		
Adjuster, Hydraulic Track	14-8, 14-10		Controls		
Air Baffles	13-7		Clutch	7-4, 7-6	
Air Cleaner	12-4		Engine		
Air Cleaner Indicator	11-2, 11-8		(Manual Shift and Custom Applications)	12-10	
Air Conditioner	13-26 to 13-36		(Power Shift)	12-14	
Air Conditioner Piping and related parts	13-26		Hydraulic (See "Hydraulic Controls" in this listing)		
Alarm, Back-up	8-56,8-58		Rear Cable Operating	17-20	
Attachments, Field	1-2		Steering	10-19	
Auxiliary Control	10-22		Transmission		
B			(Manual Shift and Custom Applications)	7-12	
Baffle, Engine Clutch Air	13-9		(Power Shift)	7-25	
Baffle, Radiator	6-8		Cooler, Oil		
Bar, Equalizer	14-3		Engine Clutch (Manual Shift and Custom Applications) ...	6-2	
Battery	8-2		Hinged (Manual Shift and Custom Applications)	6-3	
Battery Box Venting	8-3		Oil to Air (Power Shift)	6-4	
Bits, Cast End	17-2, 17-4, 17-6		Core, Radiator	6-7	
Blade			Cylinder, Hydraulic (See "Hydraulic Cylinder" in this listing)		
Bulldozer			D		
(Not Semi "U")	17-4,17-6		Dash and Supports	13-2	
(Semi "U")	17-7		Decelerator	12-9	
Bullgrader	17-2		Dipstick, Lockable	12-2	
Booster Hydraulic Steering (See "Hydraulic Steering Booster" in this listing)			Doors, Front Frame Bottom	9-2, 9-3	
Brakes and Controls	4-3		Drawbars		
Brake Pedal Pawl	4-5		Rigid	9-15	
Bracket, Filter			Swinging	9-16	
Bulldozer Push Arm			Drive, Planetary Steering	7-50	
(Semi "U")	9-14		Drive, Sprocket	7-51	
(Not Semi "U")	9-12		E		
Bullgrader "C" Frame (See "C" Frame in this listing)			Electric Starting and Lighting	8-4, 8-10, 8-16, 8-22,	
C				8-29,8-33 8-39,8-45	
Cab Assembly	13-24		Enclosure, Engine Side	13-14,13-16 13-18,13-20	
Cab	13-21		Engine Controls (See "Controls" in this listing)		
Cable Control Unit (See "Rear Cable Control" in this listing)			Engine Clutch Oil Cooler	6-2	
"C" Frame (Bullgrader)	9-10		Engine Side Sheet (See "Side Sheets" in this listing)		
Cable Cutter	17-18		Equalizer Bar (See "Bar Equalizer" in this listing)		
Cable Operating Controls	17-20		Ether Injector	12-18 12-21	
Canopy	13-10		Extinguisher, Fire	1-3	
Cap, Engine Oil Filler Lockable	12-2		Exhaust System	12-5	
Cap, Fuel Tank Filler Outer Lockable ..	12-8				
Cap, Exhaust Rain Lockable	12-5				
Clutch, Engine	7-6				
Clutch Pack					
Reverse	7-20				
Forward	7-18				

ALPHABETICAL INDEX

DESCRIPTION	PAGE	FICHE	DESCRIPTION	PAGE	FICHE
F			H - Continued		
Fair Lead, Rear Cable Control	17-18		Horn, Warning	8-55	
Fan	6-5		Hydraulic Lift Cylinders	10-14, 10-16	
Fan, Defroster	13-22		Hydraulic Controls		
Filters			Auxiliary	10-22	
Hydraulic Reservoir Oil	10-48, 10-50		Single Spool	10-20	
Pressure	7-40,7-41		Triple Spool	10-22	
Safety	7-39		Hydraulic Ripper Cylinder	10-18	
Suction	7-38		Hydraulic Test Connections	7-29	
Reservoir	10-48, 10-50		Hydraulic Reservoir	10-48 10-50	
Fire Extinguisher	1-3		Hydraulic Steering Booster	10-5	
Fork, Hydraulic Track Adjusting (See "Hydraulic Track Adjusting Fork" in this listing)			Hydraulic Track Adjusting Fork ..	14-13 14-15	
Frame, ripper	17-26		Hydraulic Tilt	10-52, 10-54	
Freon Compressor and Related Parts ..	13-42		Hydraulic Tilt Cylinder	10-56, 10-58, 10-60	
Frame, Bullgrader "C"	9-10				
Frame, Front	9-2		I		
Frame, Rear (Manual Shift and Power Shift)	9-7		Idler		
Frame, Rear (Custom Applications) ...	9-8		Front (See "Front Idler" in this listing)		
Frame, Track (See "Track Frame" in this listing)			Track (See "Track Idler" in this listing)		
Front Engine Support	12-2		Instruments	11-7	
Front Idler	14-12		Instrument Panel and Gauges	11-7	
Front Pull Hook	9-4		J		
Fuel Filters (See "Filters" in this listing)			Joint, Universal	7-2	
Fuel Gauge	11-2,				
Fuel Injection Pump (See "Pump" in this listing)	11-7		L		
Fuel Strainer	12-6		Levers		
Fuel Tank and Connections	12-6		Engine Clutch	7-4	
			Rear Cable Control	17-15	
G			Transmission		
Gasket Sets			(Manual Shift and Custom Applications)	7-12	
Torque Converter	7-32		(Power Shift)	7-24	
Gauges	11-7		Lighting Switch	8-50	
Guards			Lights, Head and Rear	8-54	
Fan	6-6		Lining, Steering Clutch Shoe	7-41	
Headlight Brush	8-53 8-54		Lining Rear Cable Control Brake ..	17-15	
Rear Light Brush	8-53		Linkage, Stabilizing	14-5	
Instrument Panel	11-7		Lock, Master Switch	8-50	
Pivot Shaft Area	14-4		Locking Cap (See "Caps" in this listing)		
Radiator	9-17,9-19		Lockable Exhaust Rain Cap (See "Caps" in this listing)		
Sprocket Seal	7-54		Lubricating Oil Filter (See "Filters" in this listing)		
Track Frame Center	14-7		Lubricating Oil Gauge (See "Gauges" in this listing)		
Gun, Grease	2-7		Lubricator		
			Hand Type	2-7	
H			Tank Type	2-6	
Headlight	8-52				
Headlight Brush Guard	8-53 8-54				
Heater Assy	13-40				
Heater, Cab	13-22				
High-Lo Shifter Lever	7-24				
Hood	13-2				
Hook, Front Pull	9-4				

ALPHABETICAL INDEX

DESCRIPTION	PAGE	FICHE	DESCRIPTION	PAGE	FICHE
M			Q		
Main Regulator Valve (See "Valves" in this listing)			Quick Drop Valve (See "Valves" in this listing)		
Master Switch	8-50		Quick Reference, Filter Elements	2-2	
Master Switch Lock	8-50		R		
Muffler Exhaust	12-4		Radiator	6-7,6-9	
Mounting, Engine	12-2		Radiator and Connections	6-8,6-10	
P			Radiator Guard (See "Guards" in this listing)		
Pack, Forward Clutch	7-18		Radiator Core	6-7	
Pack, Reverse Clutch	7-20		Rear Cable Control	17-11 to 17-21	
Packages and Kits	2-4		Range Selector Valve (See "Valves" in this listing)		
Padlock w/Keys	2-5		Rear Frame (See "Frames" in this listing)		
Panel, Instrument	11-7,11-9		Rear Light (See "Lights" in this listing)		
Pivot Shaft, Track Frame	14-2		Rear Light Brush Guard (See "Guards" in this listing)		
Pilot Control Valve (See "Valves" in this listing)			Recovery Hitch	9-15	
Piping			Regulator, Pressure	7-36	
Brake Oil Cooling	4-7		Regulator, Voltage	8-51	
Clutch Vent	7-2		Rest, Foot	13-5	
Diverter Valve	7-37		Rigid Drawbar (See "Drawbar" in this listing)		
Fuel Tank	12-5		Reservoir, Hydraulic	10-48, 10-50	
Instrument Gauge	11-4, 11-7		S		
Pressure Test Connections	7-29		Safety Filter (See "Filters" in this listing)		
Rear Hydraulics (Single Spool Valve)	10-44		Scarifier	17-22	
Rear Hydraulics (Triple Spool Valve)	10-45		Scarifier Hydraulics	10-62	
Ripper	10-46		Seat and Supports	13-7	
Steering (Manual Shift and Custom Applications)	10-24		Seat Belt	13-9	
Steering (Power Shift)	10-24		Shaft, Drive	10-2	
Torque Converter Vent	7-30		Shaft, Power Take-Off	17-21	
Transmission and Clutch	7-34		Shank, ripper	17-25	
Transmission and Torque Converter 4229 and below	7-42		Shrouds, Fan	6-6	
4230 and up	7-46		Side Sheets (Engine)	13-3	
Tubing and Hoses			Side Sheets (Seat)	13-7	
Blade Equipment - Valve to Cylinder			Sprocket	7-44	
(Manual Shift)	10-27		Sprocket Drive	7-51	
(Power Shift)	10-30, 10-34		Sprocket Shield	14-7	
Blade Equipment - Valve to Pump and Reservoir			Starting Switch	8-50, 8-51	
(Manual Shift)	10-40		Steering Clutches	7-48	
(Power Shift)	10-42		Steering Levers	10-19	
Rear Equipment	10-44		Steering Planetary Drive	7-50	
Platforms and Supports	13-4		Struts		
Plumbing, Cab Heater	13-22		Bulldozer	17-10	
Power Take-Off Shaft	17-21		Bullgrader	17-8	
Pressure Filter (See "Filters" in this listing)			Suction Filter (See "Filters" in this listing)		
Product Graphics (Decalcomanias)	2-2		Support, Battery	8-2	
Pumps			Sweep, Canopy Front	13-10	
Hydraulic	10-3		Swinging Drawbar (See "Drawbars" in this listing)		
Equipment	10-7				
Pressure	10-2				
Push Arms, Bulldozer					
(For Semi "U" Blade)	9-13				
(Not for Semi "U" Blade)	9-12				

ALPHABETICAL INDEX

DESCRIPTION	PAGE	FICHE		DESCRIPTION	PAGE	FICHE
S – Continued				V – Continued		
Switches				Valves (Continued)		
Light	8-50			Hydraulic Control		
Master	8-50			One Spool	10-10	
Starting	8-50			Three Spool	10-12	
	8-51			Pilot Control	7-28	
T				Quick Drop	10-9	
Tank, Fuel	12-5			Range Selector	7-17	
Tools	2-7			Regulator	7-16	
Tool Box	2-5			Voltage Regulator	8-51	
Tool Set	2-8			W		
Torque Converter	7-32			Water Separator	12-17	
Tower, Control	7-24			Wiper, windshield	13-18	
Track				Wiring, Air Conditioner	13-38	
Chain	15-2			Y		
Frame	14-7, 14-17, 14-19			Yoke, Lift Cylinder	10-19	
Idler	14-9, 14-11					
Roller	14-6					
Roller Shield	14-7					
Shoes	15-3					
Transmission						
(Manual Shift and Custom Applications)	7-8					
(Power Shift)	7-14					
(Rear Cable Control)	17-12					
Transmission						
Bevel Pinion Shaft						
(Manual Shift and Custom Applications)	7-11					
(Power Shift)	7-22					
Case and Cover						
(Manual Shift and Custom Applications)	7-8					
(Power Shift)	7-14					
Filter Enclosure - 4230 and up	13-6					
Forward Clutch Pack						
(Power Shift)	7-18					
Input Shaft	7-10					
Main Regulator Valve (Power Shift)	7-16					
Range Selector Valve (Power Shift)	7-17					
Reverse Clutch Pack (Power Shift)	7-20					
Shifting Forks						
(Manual Shift and Custom Applications)	7-8					
Transmission Safety Filter						
(Power Shift)	7-41					
Transmission Suction Filter	7-38					
Trunnions	17-10					
Trunnions, Engine	12-2					
U						
Universal Joints	7-2					
V						
Valves						
Diverter	10-8					
Ether Starting	12-20					

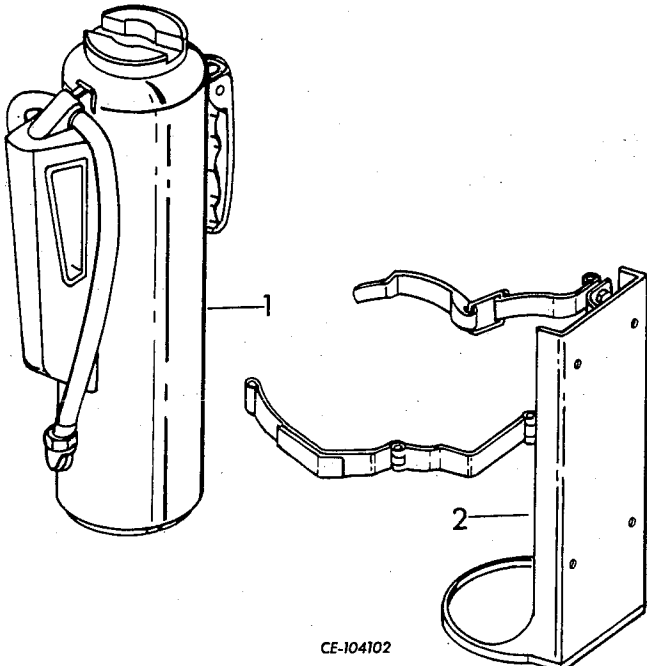
**REFER TO ALPHABETICAL INDEX
FOR COMPLETE LISTING OF PARTS**

ATTACHMENTS

THE FOLLOWING ATTACHMENTS ARE
AVAILABLE FOR TD-15C

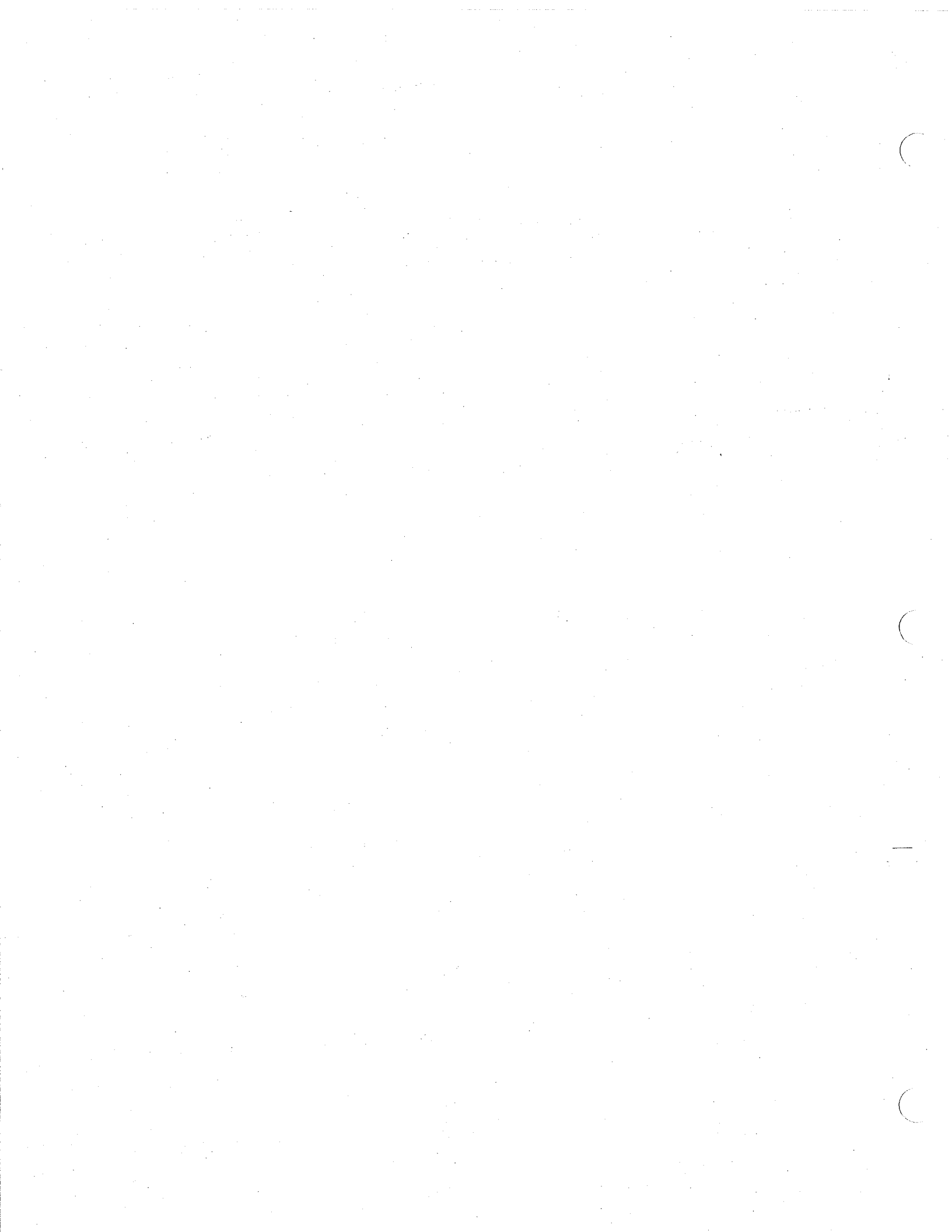
<u>Description</u>	<u>Section</u>
Air Conditioner Freon Compressor and Related Parts.....	13
Air Conditioner/Heater and Piping.....	13
Alarm, Back-Up.....	8
Alternator, Heavy Duty.....	8
Anti-Vandalism.....	1
Battery Box Venting.....	8
Belt, Seat.....	13
Bit, Cast End.....	17
Blade, Conversion.....	17
Box, Tool.....	2
Cab.....	13
Canopy.....	13
Cap, Exhaust Rain.....	12
Cap, Oil Dipstick and Filler Lock.....	1
Control, Auxiliary.....	10
Cooler, Hinged Oil.....	6
Decelerator.....	12
Drawbar	
Rigid.....	9
Swinging.....	9
Door, Front Frame Bottom Guard.....	9
Exhaust Pipe Extension.....	12
Fan, Cab Defroster.....	13
Fan, Reversible.....	6
Fire Extinguisher.....	1
Guard	
Pivot Shaft Area.....	14
Hydraulic Radiator.....	9
Radiator Core.....	6
Heater Cab.....	13
Hood, perforated.....	13
Hook, Front Pull.....	9
Horn, Warning.....	8
Hydraulic, Tilt.....	10
Indicator, pressure filter.....	11
Injector, Ether.....	12
Kit, Tool.....	2
Lamp, Auxiliary RH Rear.....	8
Light, Cab Dome.....	13
Lighting, Electric.....	8
Lining, Model 260 Cable Control Unit Heavy Duty.....	17
Lubricator, Hand Type.....	2
Pin, shank mounting.....	17
Plumbing, Cab Heater.....	13
Plumbing, Rear Hydraulic.....	10
Radiator.....	6
Rest, Foot.....	13
Ripper.....	17
Separator, Water.....	12
Shank, ripper.....	17
Shield, Track Roller and Sprocket.....	14
Shoe, Track.....	15
Sprocket, Narrow.....	7
Sweep, Canopy.....	13
Tilt, Hydraulic.....	10
Wiper, Windshield.....	13

ATTACHMENTS

REF. NO.	PART NUMBER	DESCRIPTION	REF. NO.	PART NUMBER	DESCRIPTION
FIRE EXTINGUISHER			ANTI-VANDALISM		
		 <p style="text-align: center; font-size: small;">CE-104102</p>			
			632 168 C91		ATTACHMENT, anti-vandalism (For machines equipped with 2" ID oil filler tube) (See NOTE 3) (Consists of -
				2	fuel and hydraulic reservoir cap w/lock 628 156 C91
				1	ATTACHMENT, exhaust lockable rain cap 628 166 C91
				1	ATTACHMENT, engine oil level dipstick and oil filler cap lock 632 161 C91
				5	PADLOCK w/KEYS (One required for each of the following - radiator cap, exhaust rain cap, tool box, hood access door and instrument panel) 650 382 C91)
			636 797 C91		ATTACHMENT, anti-vandalism (For machines equipped with 1-5/8" ID oil filler tube) (See NOTE 3) (Consists of -
				2	fuel and hydraulic reservoir cap w/lock 628 156 C91
				1	ATTACHMENT, exhaust lockable rain cap 628 166 C91
				1	ATTACHMENT, engine oil level dipstick and oil filler cap lock 636 795 C91
				5	PADLOCK w/KEYS (One required for each of the following - radiator cap, exhaust rain cap, tool box, hood access door and instrument panel) 650 382 C91)
629 554 C91		ATTACHMENT, fire extinguisher (See NOTE 4) (Consists of -			
1	630 823 C91	EXTINGUISHER, fire			
2	630 824 C91	BRACKET, fire extinguisher)			

NOTE 3 - Field Application - Order through Regular Parts Channels.

NOTE 4 - Attachment no longer available. Service Parts will be furnished as ordered.



REFER TO ALPHABETICAL INDEX
FOR COMPLETE LISTING OF PARTS

MISCELLANEOUS

REF. NO.	PART NUMBER	DESCRIPTION	REF. NO.	PART NUMBER	DESCRIPTION
PRODUCT GRAPHICS					
603 289 C93		PACKAGE, product identification product graphic (@) (Consists of -			§ 1 PRODUCT GRAPHIC caution – hydraulic track adjuster
	§ 2	PRODUCT GRAPHIC, IH monogram			§ 1 PRODUCT GRAPHIC grapple warning
	§ 1	PRODUCT GRAPHIC, IH monogram			§ 1 PRODUCT GRAPHIC clam control diagram
	§ 1	PRODUCT GRAPHIC, I.H.C. of Canada			§ 1 PRODUCT GRAPHIC ripper control diagram
	§ 5	PRODUCT GRAPHIC, "International"			§ 1 PRODUCT GRAPHIC loader control diagram (two lever)
	§ 2	PRODUCT GRAPHIC, "SERIES B"			§ 1 PRODUCT GRAPHIC loader control diagram (single lever)
	§ 2	PRODUCT GRAPHIC, "SERIES C"			§ 1 PRODUCT GRAPHIC caution – start engine
	§ 2	PRODUCT GRAPHIC, "TD-15" Model Symbol			§ 1 PRODUCT GRAPHIC transmission and steering diagram (power shift) (foot steering)
	§ 2	PRODUCT GRAPHIC, Custom Application			§ 1 PRODUCT GRAPHIC hydraulic oil
	§ 2	PRODUCT GRAPHIC, 175B Model Symbol			§ 1 PRODUCT GRAPHIC parking brake instruction
	§ 2	PRODUCT GRAPHIC, "175" Model Symbol)			
629 300 C92		PACKAGE, instructional product graphic (##) (Consists of -	547 495 R1		PACKAGE, "International" trademark (%)
	§ 1	PRODUCT GRAPHIC, Alternator Instructions			
	§ 1	PRODUCT GRAPHIC on-off master switch			
	§ 1	PRODUCT GRAPHIC oil pressure warning			
	§ 1	PRODUCT GRAPHIC operator safety			
	§ 1	PRODUCT GRAPHIC air cleaner			
	§ 1	PRODUCT GRAPHIC engine running w/tractor stopped			
	§ 1	PRODUCT GRAPHIC transmission and steering diagram (power shift)			
	§ 1	PRODUCT GRAPHIC transmission and steering diagram (manual shift) (TD-15C)			
	§ 1	PRODUCT GRAPHIC (TD-15 CA) ground speed			
	§ 1	PRODUCT GRAPHIC safety bar instructions			
	§ 1	PRODUCT GRAPHIC caution – read manual			
	§ 1	PRODUCT GRAPHIC oil level			
	§ 1	PRODUCT GRAPHIC caution – safety bar			
	§ 1	PRODUCT GRAPHIC caution— engine compartment door			
					(@) – For models painted I.H. yellow.
					(%) – For models painted other than I.H. yellow.
					(§) – Not furnished separately.

MISCELLANEOUS

PRODUCT GRAPHICS—Continued

The following identification and instructional Product Graphics are available for Crawler Tractors.		661 547 C1	PRODUCT GRAPHIC, lubrication chart (For manual shift and custom application)
626 271 C1	PRODUCT GRAPHIC, dozer control (For use with single spool valve) (@)	661 548 C1	PRODUCT GRAPHIC, lubrication chart (For power shift)
2 753 001 R2	PRODUCT GRAPHIC, dozer control (For use with triple spool valve) (@)	312 552 R1	PRODUCT GRAPHIC, turbocharger warning (Plate)
2 751 374 R2	PRODUCT GRAPHIC, TD-15 model symbol (%) (3)	145 373	SCREW, blunt drive (4)
25 195 R1	PRODUCT GRAPHIC, "International" (%)	2 751 900	PRODUCT GRAPHIC, oil level
628 073 C1	PRODUCT GRAPHIC, "Custom Application" (%) (2)	622 750 C1	NAME PLATE, starting switch
2 754 310 R2	PRODUCT GRAPHIC, Series "C" (%) (3)	604 021 C1	TREAD, safety walk (4)
2 751 201 R1	PRODUCT GRAPHIC, adjusting (CCU)	145 373	SCREW, blunt drive (Used to attach number plate) (4)
2 752 600 R1	PRODUCT GRAPHIC, oil level (CCU)	732 379 C1	PRODUCT GRAPHIC, L.G.P. (@)(2)
2 753 005 R1	PRODUCT GRAPHIC, scarifier control	732 380 C1	PRODUCT GRAPHIC, L.G.P. (%) (2)
2 754 281 R1	PRODUCT GRAPHIC, "Fuel" (Not for custom application)		
653 282 C1	PRODUCT GRAPHIC, operator safety		
629 402 C1	PRODUCT GRAPHIC, operator safety (For power shift)		
27 775 R1	PRODUCT GRAPHIC, "I.H." monogram (3)		
2 753 190 R1	PRODUCT GRAPHIC, "Made in United States of America"		

@ - For models painted I.H. yellow.
 % - For models painted other than I.H. yellow.
 § - Not furnished separately.

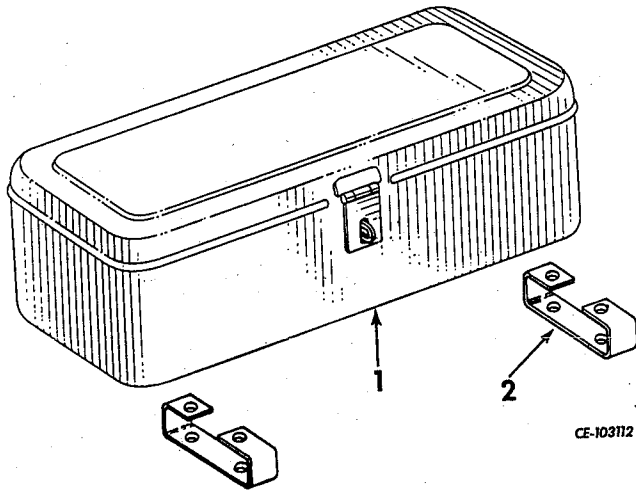
MISCELLANEOUS

REF. NO.	PART NUMBER	DESCRIPTION	REF. NO.	PART NUMBER	DESCRIPTION
PACKAGES AND KITS					
					Page
603 289	C93	PACKAGE, product identification product graphic			2-3
629 300	C92	PACKAGE, instructional product graphic			2-3
547 495	R1	PACKAGE, "International" trademark			2-3
662 600	C91	KIT, sprocket carrier seal (Crane)			7-41
	or				
662 594	C91	KIT, sprocket carrier seal (Chicago Rawhide)			7-41
	or				
662 587	C92	KIT, sprocket carrier seal (Cartriseal)			7-45
604 741	C92	PACKAGE, transmission gasket field service (For power shift)			7-12
604 743	C91	PACKAGE, torque converter gasket field service (For power shift)			7-28
331 910	R91	PACKAGE, brake shoe lining field service			7-36
603 467	C91	PACKAGE, panel lamp service (Less bulbs)			8-7
620 322	C91	PACKAGE, booster, piston and valve field service			10-4
636 235	C91	PACKAGE, cylinder seal ring			10-5
636 131	C91	PACKAGE, cylinder seal ring			10-15,10-16
883 170	C91	KIT, seal repair (For pressure vacuum relief valve)			10-30
925 262	C91	KIT, seal repair (For pressure vacuum relief valve)			10-30
636 140	C91	PACKAGE, cylinder seal ring			10-48
636 143	C91	PACKAGE, cylinder seal ring			10-48A, 10-49
710 461	C91	PACKAGE, air conditioner-heater and support			13-14
635 576	C1	PACKAGE, connectors and terminals			13-16
647 678	C91	KIT, roof seal			13-23
647 677	C91	KIT, door latch			13-26
634 802	C91	KIT, mounting hardware			13-26
662 689	C91	PACKAGE, track idler support service			14-12
662 687	C91	PACKAGE, track idler support gusset service			14-12
662 688	C91	PACKAGE, track idler front support service			14-12
662 622	C91	PACKAGE, oil seal service			14-4
655 970	C91	PACKAGE, oil seal service			14-4
655 971	C91	PACKAGE, reunitization field service			14-4
606 132	C91	PACKAGE, track idler oil seal field service			14-6,14-7
606 625	C91	PACKAGE, track idler reunitization band field service			14-6,14-7
606 972	C91			14-6,14-7
606 974	C91			14-6,14-7
703 599	C91	PACKAGE, track frame front idler guide and wear bar field service			14-12
323 656	R91	PACKAGE, oil seal and wear sleeve service (CCU)			17-9
323 657	R91	PACKAGE, oil seal and wear sleeve service (CCU)			17-9

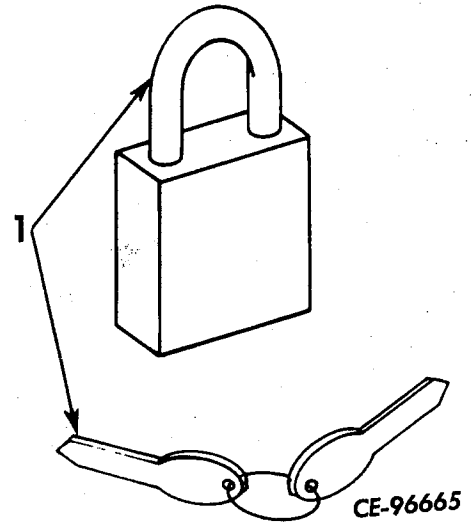
MISCELLANEOUS

REF. NO.	PART NUMBER	DESCRIPTION	REF. NO.	PART NUMBER	DESCRIPTION
----------	-------------	-------------	----------	-------------	-------------

TOOL BOX



PADLOCK WITH KEYS



A	609 782 C91	ATTACHMENT, tool box (21") (See NOTES 1 and 3)
B	629 456 C91	ATTACHMENT, tool box (21") (For use on models equipped w/Hydraulic Tilt Attachment) (For Power Shift) (See NOTE 3)
1	325 479 R91	BOX, tool (21") or
1	636 114 C1	BOX, tool (21")
	24 840 R1	SCREW, hex-hd cap (4)
	115 093	WASHER, lock (4)
	103 341	WASHER, flat (4)
	25 522 R1	NUT (4 for B)
2	609 784 C1	BRACKET, tool box (2 for B)
	24 840 R1	SCREW, hex-hd cap (4)
	115 093	WASHER, lock (4)
	25 522 R1	NUT (4)
	715 423 C1	COUPLING, female quick disconnect

1	650 382 C91	PADLOCK w/KEYS
---	-------------	----------------

NOTE 1: Factory Application - Order on Machine Order Form.

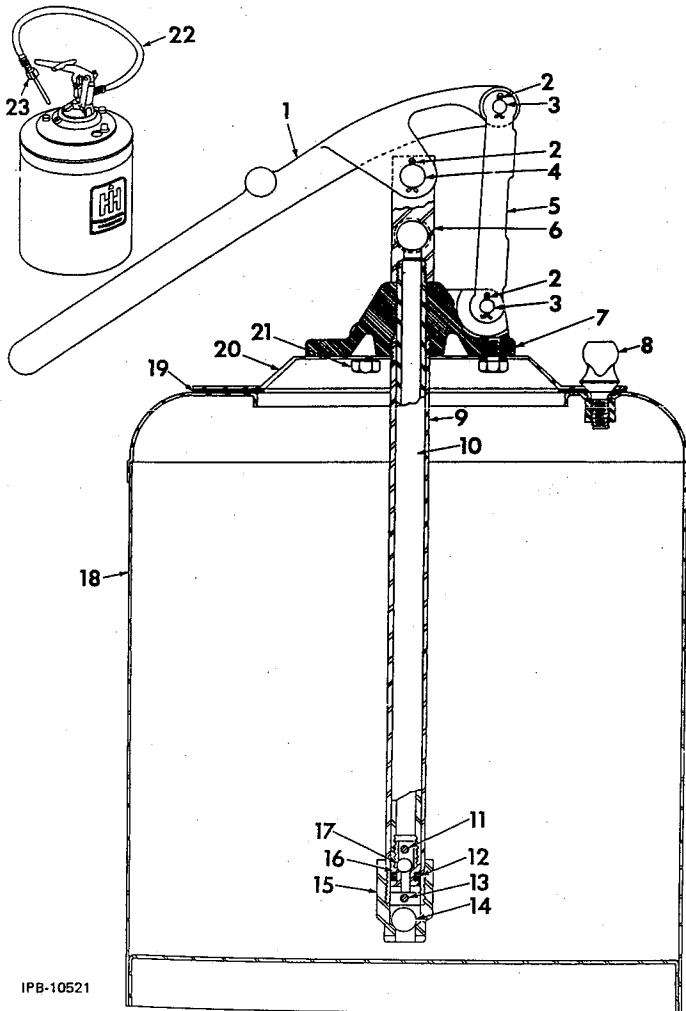
NOTE 3: Field Application - Order Through Regular Parts Channels.

MISCELLANEOUS

REF. NO.	PART NUMBER	DESCRIPTION
----------	-------------	-------------

REF. NO.	PART NUMBER	DESCRIPTION
----------	-------------	-------------

LUBRICATOR (Tank Type)



8	55 479 D	SCREW, container cover (3)
9	53 206 D	TUBE, pump
10	53 205 D	ROD, piston
11	53 200 D	PIN, piston
12	53 203 D	PACKING, piston
13	53 201 D	PIN, foot valve
14	17 014 R1	BALL, check
15	53 199 D	BODY, foot valve
16	53 198 D	PISTON, plunger
17	39 659 D	BALL, pump check
18	53 209 D	CONTAINER w/GASKET, 278 919 R1 and three SCREW, 55 479 D
19	278 919 R1	GASKET, container cover
20	310 924 R91	COVER, container
21	179 790 115 547	SCREW, hex-hd cap (3) WASHER, internal-tooth lock (3)
22	53 207 D	HOSE, lubricator (3 ft. long)
23	310 944 R91	NOZZLE, lubricator

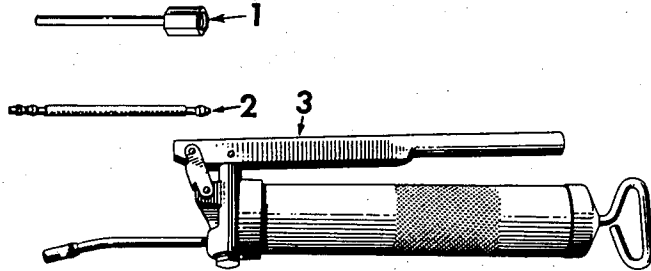
309 015 R91 LUBRICATOR ASSY (Consists of the following parts -

1	55 482 D	HANDLE, lever
2	103 372	PIN, cotter (3)
3	40 638 D	PIN, toggle (2)
4	40 635 D	PIN, handle
5	277 153 R1	TOGGLE
6	53 202 D	OUTLET, pump
7	310 923 R1	BODY, pump

MISCELLANEOUS

REF. NO.	PART NUMBER	DESCRIPTION	REF. NO.	PART NUMBER	DESCRIPTION
----------	-------------	-------------	----------	-------------	-------------

TOOLS



CE-103100

- | | | |
|---|-------------|--|
| 1 | 310 944 R91 | NOZZLE, lubricator tank |
| 2 | 619 581 C91 | EXTENSION, grease gun flexible |
| 3 | 999 677 R91 | GUN, hand type grease (15-oz. size)
(Part of ATTACHMENT, 999 677 C91) |
| | 999 677 C91 | ATTACHMENT, lubricator hand gun
(Consists of GUN, 999 677 R91)
(See NOTES 1 and 3) |

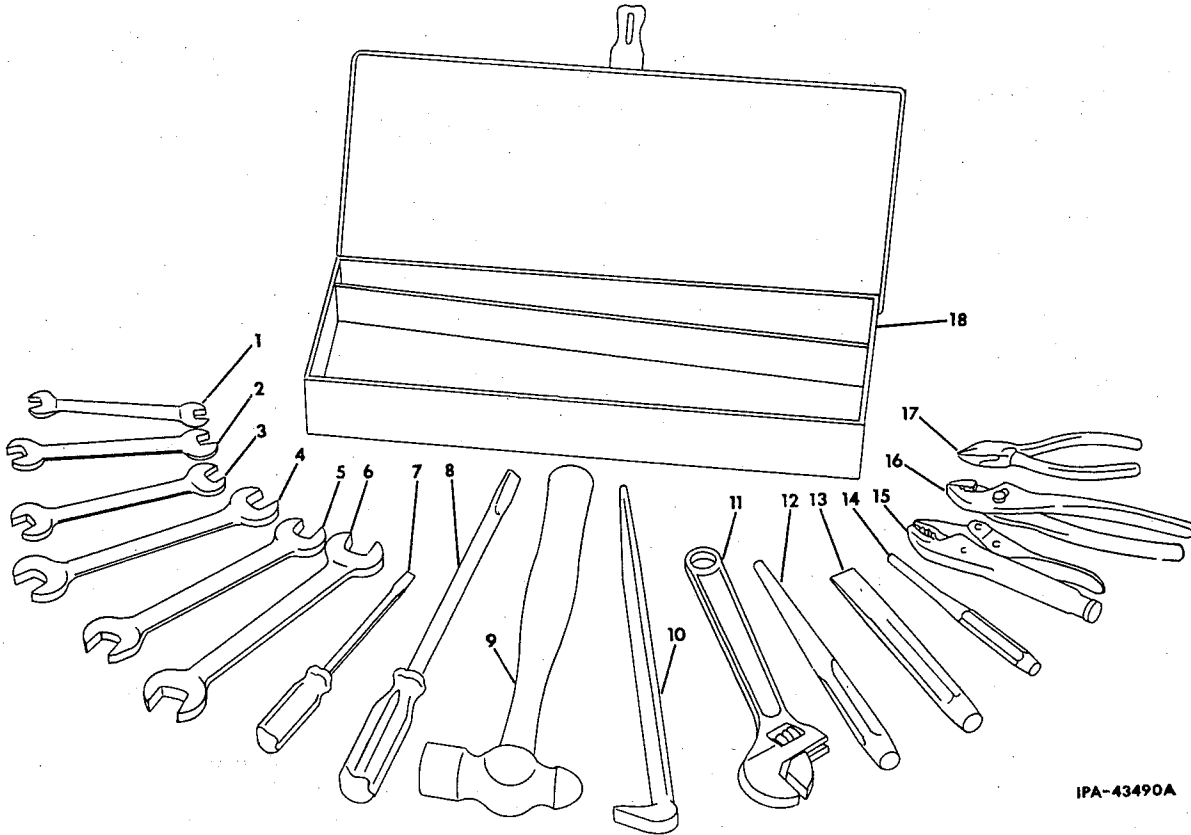
NOTE 1: Factory Application - Order on Machine Order Form.

NOTE 3: Field Application - Order through regular parts channels.

MISCELLANEOUS

REF. NO.	PART NUMBER	DESCRIPTION	REF. NO.	PART NUMBER	DESCRIPTION
----------	-------------	-------------	----------	-------------	-------------

TOOL SET



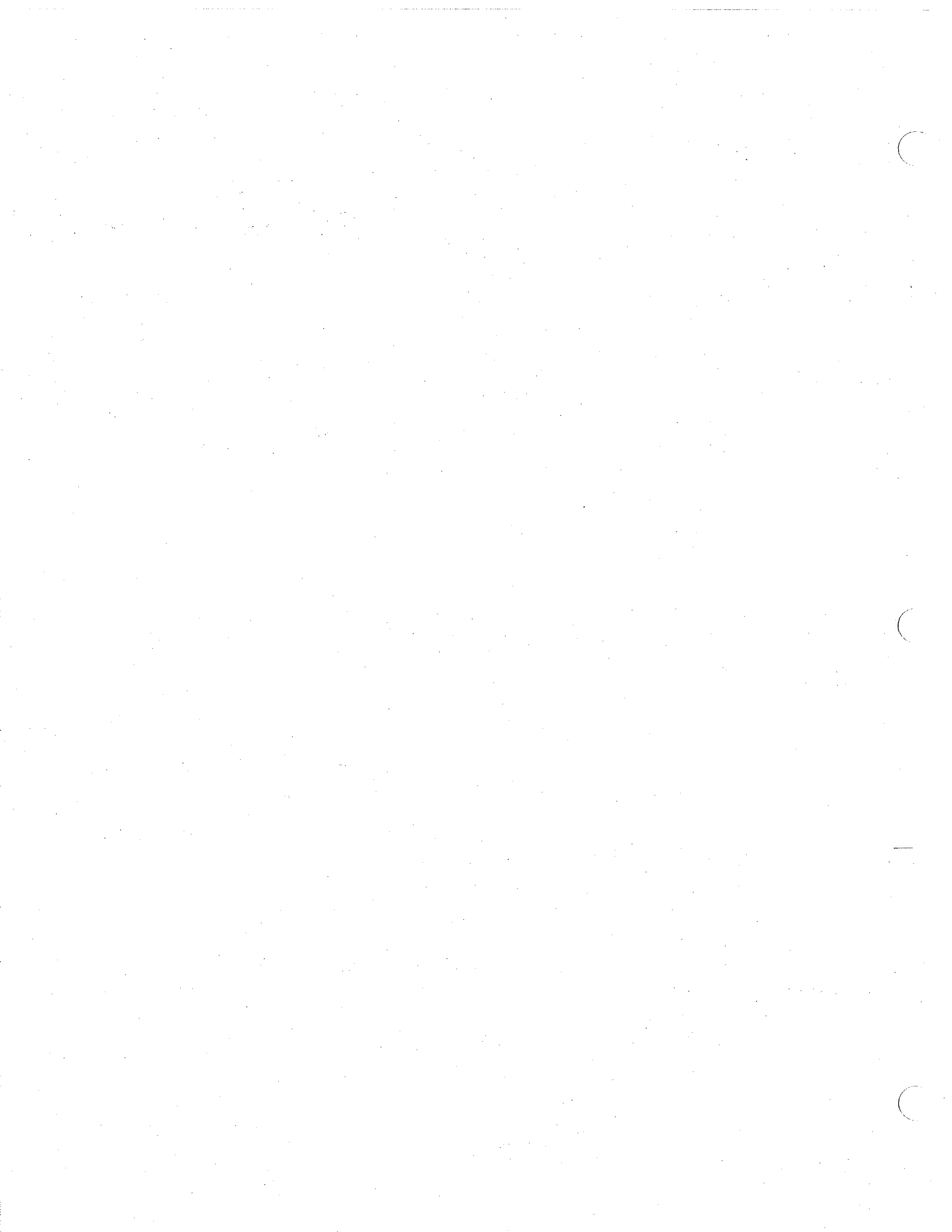
IPA-43490A

TOOL SET (Consists of seventeen tools and tool box) (Also see "Tools" listed in "Miscellaneous Equipment" Section of catalog) (See NOTE) (I.H. part number 276 820 R91)

			13	CC-24	CHISEL (7/8" bit x 8" long)
			14	PP-6	PUNCH (3/16" bit x 10" long)
			15	735	WRENCH, vise grip (7")
1	E-1416	WRENCH, end (7/16 x 1/2")	16	712-A	PLIER (Slip joint, 8")
2	E-1820	WRENCH, end (9/16 x 5/8")	17	700-B	CUTTER, diagonal (6")
3	E-2022	WRENCH, end (5/8 x 11/16")	18	H-190	BOX, tool
4	E-2426	WRENCH, end (3/4 x 13/16")			
5	E-2628	WRENCH, end (13/16 x 7/8")			
6	E-3032	WRENCH, end (15/16 x 1")			
7	SS-83	SCREWDRIVER (1/4" shank)			
8	SS-123	SCREWDRIVER (3/8" shank)			
9	BP-32	HAMMER (Ball peen)			
10	PB-43	BAR, pry (9/16" rd. x 16" long)			
11	DA-12	WRENCH (12" adjustable)			
12	TP-24	PUNCH (5/16" bit x 10" long)			

NOTE: Order individual tools and complete tool sets from:
 Service Tools
 P.O. Box 314
 Owatonna, Minnesota 55060

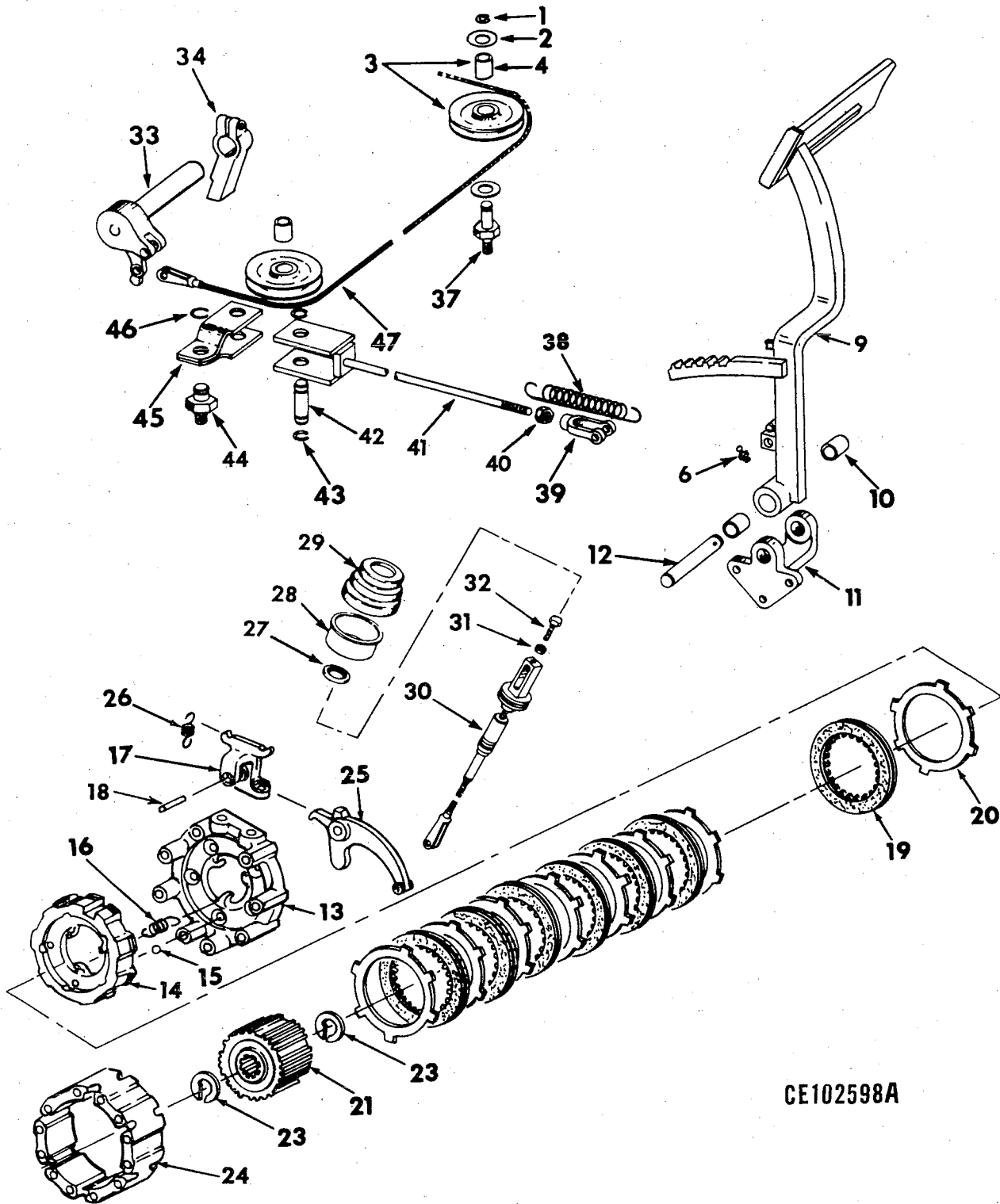
NOT USED ON THIS MACHINE



**REFER TO ALPHABETICAL INDEX
FOR COMPLETE LISTING OF PARTS**

BRAKES

BRAKES AND CONTROLS



CE102598A

BRAKES

REF. NO.	PART NUMBER	DESCRIPTION	REF. NO.	PART NUMBER	DESCRIPTION
BRAKES AND CONTROLS — Continued					
1	631 530 R1	RING, snap	18	654 079 C1	SHAFT, brake actuating lever pivot (2)
2	452 971 R1	SPACER, idler pulley (2)	19	619 200 C1	DISC, brake friction (14) 2078 and below
3	325 558 R11	PULLEY w/BUSHING, 307 434 R1, foot brake actuating cable (2)	19	705 105 C2	DISC, brake friction (14) 2079 and up
4	307 434 R1	BUSHING, pulley (2)	20	324 452 R1	PLATE, friction disc separator (16)
6	109 461	FITTING, brake pedal lubrication straight (Used with PEDAL, 628 227 C91)	21	654 690 C1	HUB, brake retaining (2)
6	126 152	FITTING, brake pedal lubrication, 45° (Used with PEDAL, 652 715 C91)	23	324 051 R1	RING, brake hub retaining (4)
9	628 227 C91	PEDAL w/two BUSHING, 325 180 R1, brake 2321 and below (Order the following parts - 1 DRAWING CZG-936 1 DRAWING CZG-1603 1 PEDAL 652 715 C91 1 SPACER 345 568 R1)	24	654 691 C1 277 232 R1	RETAINER, clutch plate (2) SCREW, hex-hd cap (16)
9	652 715 C91	PEDAL w/two BUSHING, 325 180 R1, brake 2322 and up	25	654 700 C1	LEVER, brake actuating
10	325 180 R1	BUSHING, brake pedal (2)	26	654 080 C1	SPRING, brake actuating lever return
11	325 569 R1 25 526 R1 345 568 R1 24 863 R1 116 121	BRACKET, brake pedal mounting NUT (3) SPACER, brake locking SCREW, hex-hd cap (3) WASHER, lock (3)	27	324 103 R91	SEAL, brake actuating cable guide (2)
12	325 570 R1 576 484 R1	SHAFT, brake pedal PIN, roll	28	338 276 R2	SLEEVE, brake guide boot (2)
13	654 673 C1 24 846 R1	PLATE, brake actuator pressure (2) SCREW, hex-hd cap (16)	29	338 277 R3	BOOT, brake cable (2)
14	654 674 C1	ACTUATOR, brake (2)	30	654 124 C1 103 385 27 128 H 98 724 H	CABLE, brake actuating (2) PIN, cotter (4) PIN, rod end (2) PIN, rod end (2)
15	17 100 R1	BALL, chrome steel brake actuating (10)	31	25 524 R1	NUT, 7/16" (2)
16	654 675 C1	SPRING, actuator return (6)	32	191 967	SCREW, sq. hd set brake actuating cable (2)
17	654 707 C1 24 873 R1 25 547 R1	SUPPORT, brake actuating lever (2) SCREW, hex-hd cap (4) WASHER, hardened (4)	33	609 850 C11	BELLCRANK, LH brake actuating
			33	609 851 C11 109 461	BELLCRANK, RH brake actuating FITTING, brake actuating bellcrank lubrication (2)
			34	334 872 R1 24 863 R1 116 121 124 557	LEVER, pivot brake pick-up (2) SCREW, hex-hd cap (2) WASHER, lock (2) KEY, (Woodruff No. C) (6)
			37	325 559 R2	SHAFT, foot brake actuating cable pulley stud
			38	272 536 R1	SPRING, brake pedal return
			39	104 039 103 498 103 385	CLEVIS, short adjustable PIN, rod end PIN, cotter
			40	118 627	NUT, NF
			41	325 563 R92	YOKE, brake pulley pull rod

BRAKES

REF. NO.	PART NUMBER	DESCRIPTION	REF. NO.	PART NUMBER	DESCRIPTION
-------------	----------------	-------------	-------------	----------------	-------------

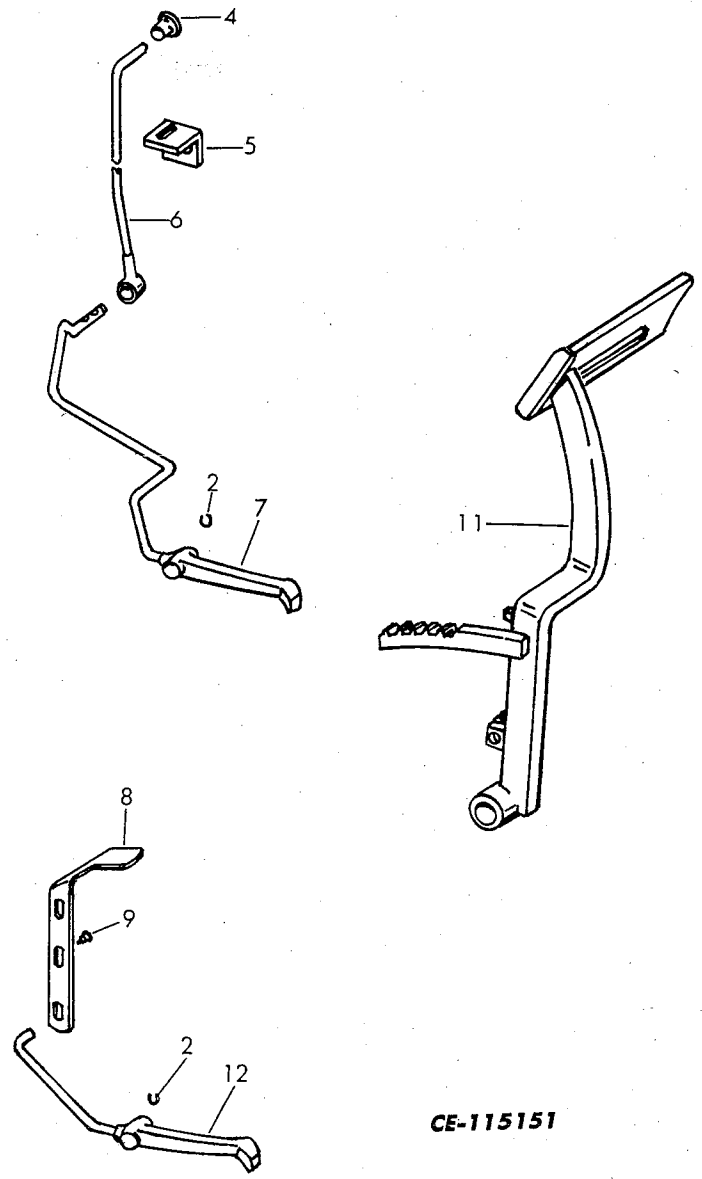
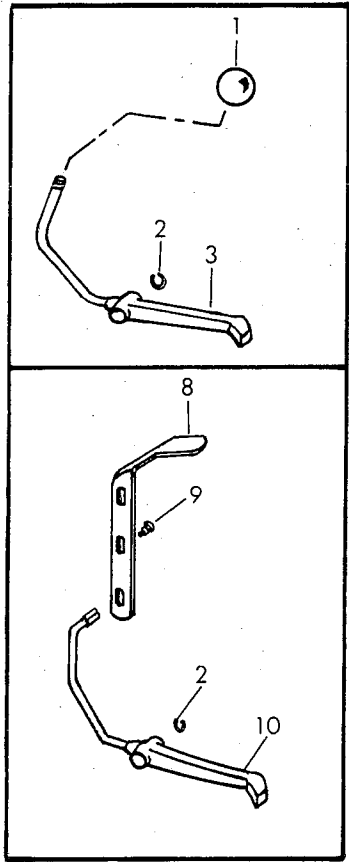
BRAKES AND CONTROLS — Continued

42	325 567 R2	SHAFT, pulley			
43	631 530 R1	RING, snap (2)			
44	325 562 R2	STUD, pulley support			
45	330 705 R91	SUPPORT, pulley			
46	631 530 R1	RING, snap			
47	325 554 R93	CABLE, w/two PIN, foot brake actuating			
	103 385	PIN, 1/8 x 1" cotter (2)			
	108 636	PIN, 3/32 x 1-1/8" cotter (2)			
	84 727 H	PIN, rod end (2)			

BRAKES

REF. NO.	PART NUMBER	DESCRIPTION	REF. NO.	PART NUMBER	DESCRIPTION
----------	-------------	-------------	----------	-------------	-------------

MANUAL BRAKE PEDAL PAWL



CE-115151

A	MANUAL BRAKE PEDAL PAWL 3751 and below	D	MANUAL BRAKE PEDAL PAWL (Manual shift and power shift w/blade equipment) 3752 and up
B	MANUAL BRAKE PEDAL PAWL (Manual shift and power shift w/o blade equipment) 3752 to *	E	MANUAL BRAKE PEDAL PAWL (Custom application) 3752 and up
C	MANUAL BRAKE PEDAL PAWL (Manual shift and power shift w/o blade equipment) * and up	1	307 839 R1 KNOB, brake locking pawl (A)
		2	373 692 R1 RING, gear

* Serial Number not Available

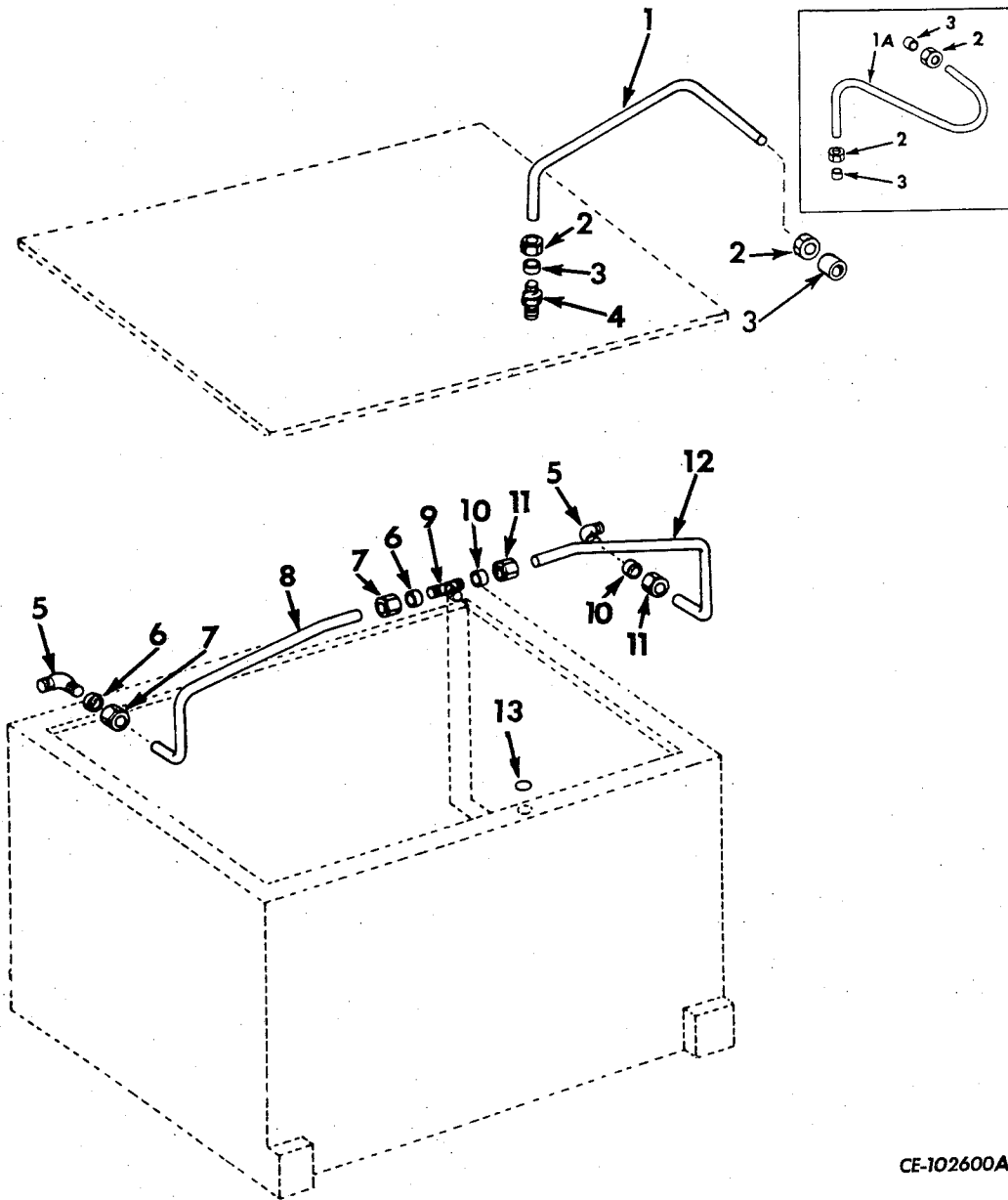
BRAKES

REF. NO.	PART NUMBER	DESCRIPTION	REF. NO.	PART NUMBER	DESCRIPTION
MANUAL BRAKE PEDAL PAWL - Continued.					
3	652 714 C1	PAWL, manual brake pedal (A) (Order the following parts) (For manual shift and power shift w/blade equipment)			
	1 CZG1911	DRAWING			
	1 652 724 C1	PAWL			
	1 657 052 C2	ROD			
	2 103 374	PIN			
	1 652 726 C1	BRACKET			
	1 24 839 R1	BOLT			
	1 25 534 R1	WASHER			
	1 25 522 R1	NUT)			
		(For manual shift and power shift w/o blade equipment)			
	1 334 217 R92	PAWL			
	1 604 198 C1	LEVER			
	2 603 475 C1	GUIDE			
	2 25 532 R1	WASHER			
	2 25 519 R1	NUT			
	2 300 657 R1	WASHER)			
		(For custom application)			
	1 650 199 C1	PAWL			
	1 604 198 C1	LEVER			
	2 603 475 C1	GUIDE			
	2 25 532 R1	WASHER			
	2 25 519 R1	NUT			
	2 300 657 R1	WASHER)			
4	359 108 R2	KNOB (C, D)			
5	652 726 C1	BRACKET, brake pawl (C, D)			
	24 839 R1	BOLT			
	25 534 R1	WASHER			
	25 522 R1	NUT			
6	657 052 C2	ROD, brake pawl release (C, D)			
	103 374	PIN, cotter			
7	652 724 C1	PAWL, brake locking (C, D)			
8	604 198 C1	LEVER, brake pawl operating (B, E)			
9	603 475 C1	GUIDE, manual brake pedal pawl operating lever (2 for B, E)			
	25 532 R1	WASHER (2)			
	25 519 R1	NUT (2)			
	300 657 R1	WASHER (2)			
10	334 217 R92	PAWL, manual brake pedal (B)			
11		PEDAL, manual brake (Refer to "Brakes and Controls")			
12	650 199 C1	PAWL, manual brake pedal (E)			

BRAKES

REF. NO.	PART NUMBER	DESCRIPTION	REF. NO.	PART NUMBER	DESCRIPTION
----------	-------------	-------------	----------	-------------	-------------

BRAKE OIL COOLING PIPING



CE-102600A

1	624 996 C91	TUBE w/two NUT, 265 205 R1, and two SLEEVE, 265 204 R1, regulator to rear main frame cover (Power shift)	3	265 204 R1	SLEEVE (2)
			4	606 819 C1	CONNECTOR, rear main frame cover tube
1A	611 152 C11	TUBE w/two NUT, 265 205 R1 and two SLEEVE, 265 204 R1, transmission case tee to rear main frame cover (Manual shift and custom)	5	610 473 C2	ELBOW, brake cooling oil inlet restrictor (Inside of main frame) (2)
2	265 205 R1	NUT (2)	6	265 204 R1	SLEEVE (2)

BRAKES

REF. NO.	PART NUMBER	DESCRIPTION	REF. NO.	PART NUMBER	DESCRIPTION
BRAKE OIL COOLING PIPING — Continued					
7	265 205 R1	NUT (2)			
8	611 153 C11	TUBE w/two SLEEVE, 265 204 R1, and two NUT, 265 205 R1, LH brake cooling oil 1556 and below			
8	661 322 C91	TUBE w/two NUT, 265 205 R1 and two SLEEVE, 265 204 R1, LH brake cooling oil 1557 and up			
9	610 472 C1	TEE, brake cooling oil inlet (Inside main frame)			
10	265 204 R1	SLEEVE (2)			
11	265 205 R1	NUT (2)			
12	611 154 C11	TUBE w/two SLEEVE, 265 204 R1 and two NUT, 265 205 R1, RH brake cooling oil 1556 and below			
12	661 323 C91	TUBE w/two NUT, 265 205 R1, and two SLEEVE, 265 204 R1, RH brake cooling oil 1557 and up			
13	628 387 C1	RING, oil port sealing			

NOT USED ON THIS MACHINE



**REFER TO ALPHABETICAL INDEX
FOR COMPLETE LISTING OF PARTS**

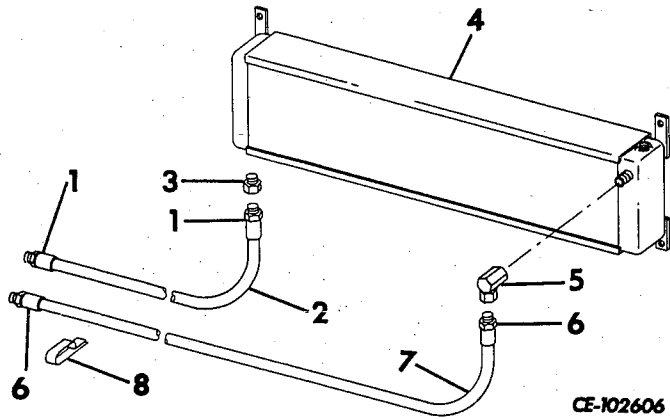
COOLING

6

COOLING

REF. NO.	PART NUMBER	DESCRIPTION	REF. NO.	PART NUMBER	DESCRIPTION
----------	-------------	-------------	----------	-------------	-------------

ENGINE CLUTCH OIL COOLER AND PIPING (For Manual Shift and Custom Application)



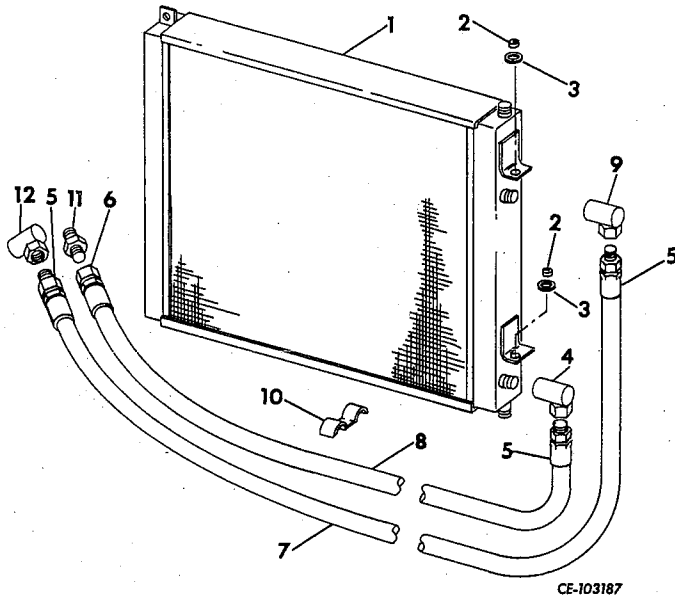
1		FITTING, hose (Order HOSE, 610 548 C91) (*) (2)			
2	610 548 C91	HOSE w/two FITTING, regulator outlet to oil cooler inlet (HOSE, 1/2"ID x 136" long including FITTINGS) (*)			
3	364 890 R91	ADAPTER, oil cooler inlet (*)			
4	637 356 C1	COOLER, engine clutch oil (*)			
	25 772 R1	SCREW, hex-hd cap (4)			
	115 093	WASHER, lock (4)			
	103 341	WASHER, flat (4)			
5	347 518 R91	ELBOW, cooler outlet (*)			
6		FITTING, hose (Order HOSE, 606 001 C91) (*) (2)			
7	606 001 C91	HOSE w/two FITTING, oil cooler to clutch housing (HOSE, 1/2"ID x 120" long including FITTINGS) (*)			
8	326 078 R1	CLAMP, cooler hose (On front frame) (2)			
	25 768 R1	SCREW, hex-hd cap (2)			
	115 093	WASHER, lock (2)			
	103 341	WASHER, flat (2)			
8	326 078 R1	CLAMP, cooler hose (On front frame tube bracket)			
	25 522 R1	NUT			
	24 840 R1	SCREW, hex-hd cap			
	115 093	WASHER, lock			
	103 341	WASHER, flat			

(*) - Not used with Clutch Oil Cooler Attachment.

COOLING

REF. NO.	PART NUMBER	DESCRIPTION	REF. NO.	PART NUMBER	DESCRIPTION
----------	-------------	-------------	----------	-------------	-------------

HINGED OIL COOLER
(Manual Shift and Custom Application)



10	600 859 C1	CLAMP, cooler inlet and outlet hose (2)			
	102 635	NUT			
	179 847	SCREW, hex-hd cap			
	103 321	WASHER, lock			
11	9 402 711	CONNECTOR, regulator outlet			
12	630 349 C1	ELBOW, 90° clutch inlet			
	628 243 C91	ATTACHMENT, hinged oil cooler (See NOTE 3) (Consists of -			
	1	BAFFLE - LH	661 500 C1		
	1	BAFFLE - RH	661 502 C1		
	2	CLAMP	600 859 C1		
	1	CONNECTOR	9 402 711		
	1	COOLER	637 358 C1		
	1	ELBOW	9 402 906		
	1	ELBOW	297 248 R1		
	1	ELBOW	630 349 C1		
	3	FITTING	319 753 R91		
	1	FITTING	100 798 R91		
	1	HOSE	658 867 C1		
	1	HOSE	658 860 C1		

1	637 358 C2	COOLER, oil
	102 637	NUT (2)
	179 885	SCREW, 1/2" hex-hd cap (2)
	180 145	SCREW, 7/16" hex-hd cap (2)
	11 002 VA	WASHER, 11/32" flat (2)
	103 323	WASHER, 1/2" lock (2)
	103 322	WASHER, 7/16" lock (2)
	103 342	WASHER, 15/32" flat (2)
2	312 565 R1	BUSHING, cooler hinge (2)
3	270 711 R1	SHIM, cooler hinge (x)
4	297 248 R1	ELBOW, cooler inlet
5		FITTING, hose (Not furnished separately) (3)
6		FITTING, hose (Not furnished separately)
7	658 867 C1	HOSE w/two FITTING, cooler to clutch (HOSE, 3/4" ID x 126" long including FITTINGS)
8	658 860 C1	HOSE w/FITTING, regulator to cooler (HOSE, 3/4" ID x 138" long including FITTINGS)
9	297 248 R1	ELBOW, cooler outlet

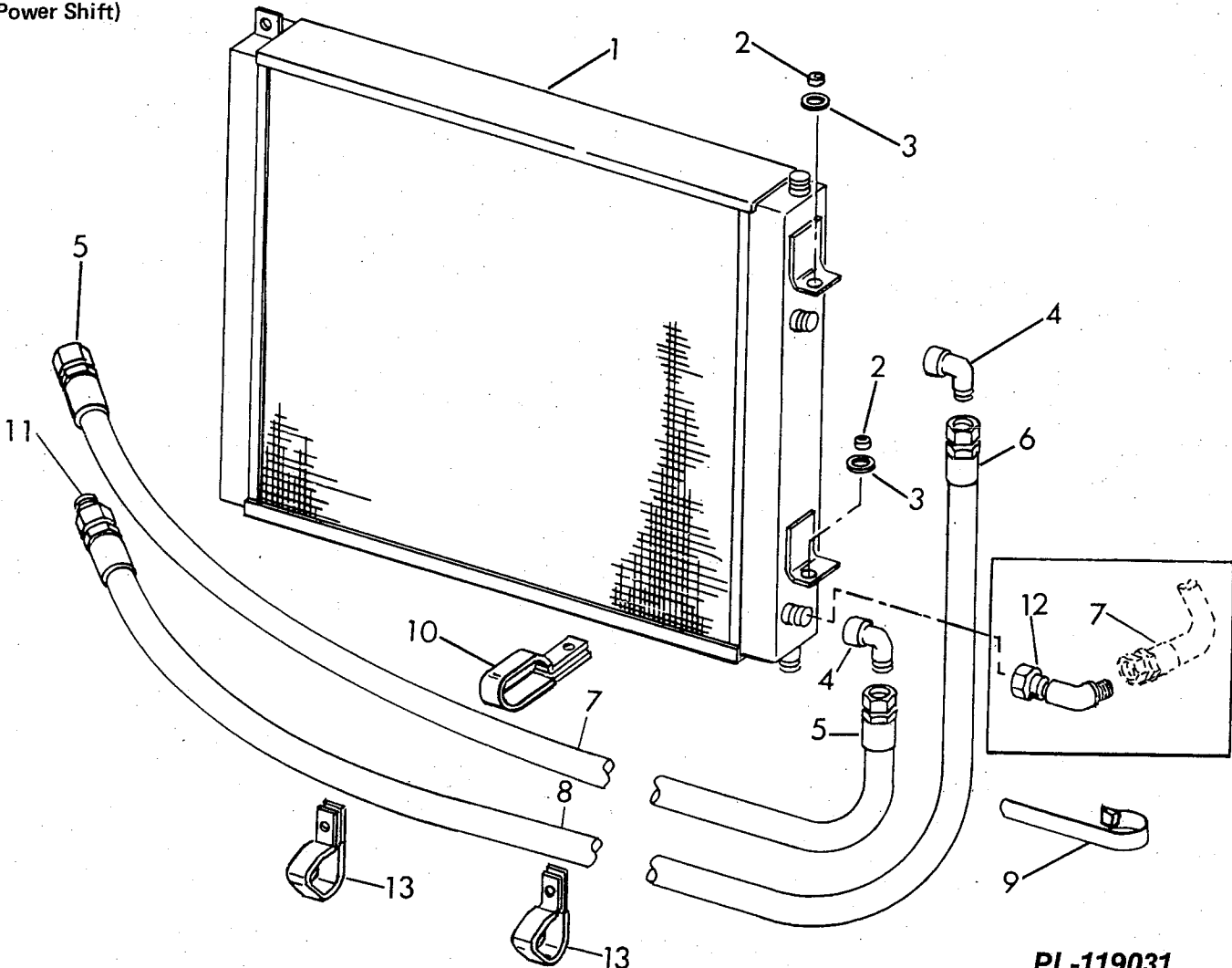
(x) - As Required.

NOTE 3: Field Application - Order through Regular Parts Channels.

COOLING

REF. NO.	PART NUMBER	DESCRIPTION	REF. NO.	PART NUMBER	DESCRIPTION
----------	-------------	-------------	----------	-------------	-------------

OIL TO AIR COOLER AND PIPING (Power Shift)



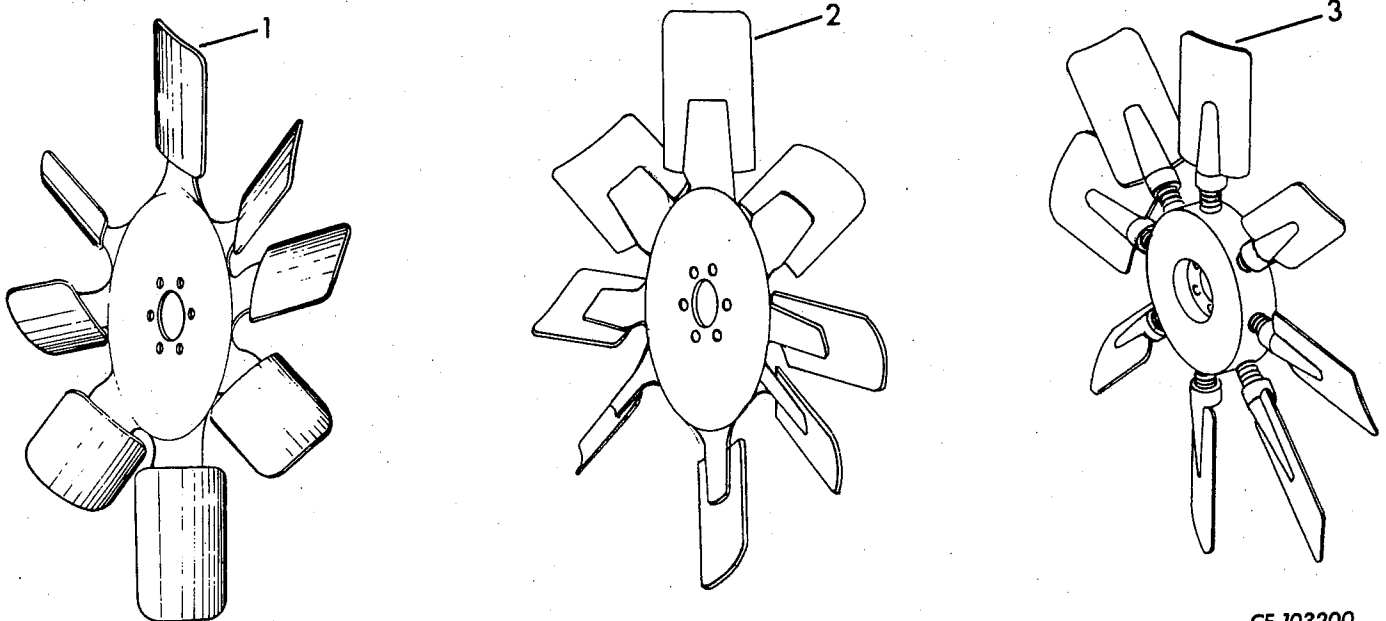
PL-119031

1	667 019 C91	COOLER, oil to air	7	661 485 C1	HOSE w/FITTINGS, torque converter to oil cooler (HOSE, 3/4" ID x 96" long w/FITTINGS)
		OR			667 and up
1	637 358 C2	COOLER, oil to air	8	658 860 C1	HOSE w/FITTINGS, oil cooler to regulator inlet (HOSE, 3/4" ID x 138" long including FITTINGS)
	25 526 R1	NUT (2)	9	327 273 R91	STRAP, cooler hose (4)
	24 862 R1	SCREW, 1/2" hex-hd cap (2)	10	600 859 C1	CLAMP, inlet and outlet hose (2)(%)
	24 849 R1	SCREW, 7/16" hex-hd cap (2)			1580 and below
	116 121	WASHER, 1/2" lock (2)		25 522 R1	NUT
	115 314	WASHER, 7/16" lock (2)		24 843 R1	SCREW, hex-hd cap
	11 002 VA	WASHER, 17/32" flat (2)		115 093	WASHER, lock
	103 342	WASHER, 15/32" flat (2)	10	361 656 C1	CLAMP, cooler inlet and outlet hose
2	312 565 R1	BUSHING, cooler hinge (2)			(3) 1580 and below
3	270 711 R1	SHIM, hinge (x)		140 483 H	SCREW, 1-1/4" long hex-hd cap
4	9 402 906	ELBOW, oil cooler inlet and outlet (2)(%)		24 840 R1	SCREW, 1" long hex-hd cap
5		FITTING, female hose (\$)		315 972 R1	SPACER, clamp
6		FITTING, hose (\$)		115 093	WASHER, lock (2)
7		HOSE w/two FITTINGS, Torque Converter to oil cooler (HOSE, 3/4" ID x 38" long including FITTINGS)(%)		25 534 R1	WASHER, flat (2)
		666 and below			(x) - As Required.
					(\$)
					- Not furnished separately

COOLING

REF. NO.	PART NUMBER	DESCRIPTION	REF. NO.	PART NUMBER	DESCRIPTION
OIL TO AIR COOLER AND PIPING – Continued (Power Shift)					
11		FITTING, hose (\$)	308 576 R1		CLAMP, cooler to regulator hose (On safety filter bracket) 666 and below
12	9 410 257	ELBOW, oil cooler hose inlet (+)			
13	662 362 C1	CLAMP, cooler to regulator hose (2) (on front frame engine support)(+)	308 882 R1		CLIP, cooler to regulator hose (On pressure filter flange) * and below
	24 840 R1	SCREW, hex-hd (2)			
	25 534 R1	WASHER, hardened (2)			
	115 093	WASHER, lock (2)			
	608 868 C1	CLAMP, regulator inlet hose (%) 1581 and up			
	140 483 H	SCREW, hex-hd cap			(+) - For Low Ground Pressure only.
	315 972 R1	SPACER, clamp			(\$) - Not Furnished Separately.
	25 534 R1	WASHER, flat			(%) - Not For Low Ground Pressure
	115 093	WASHER, lock			

FAN



CE-103200

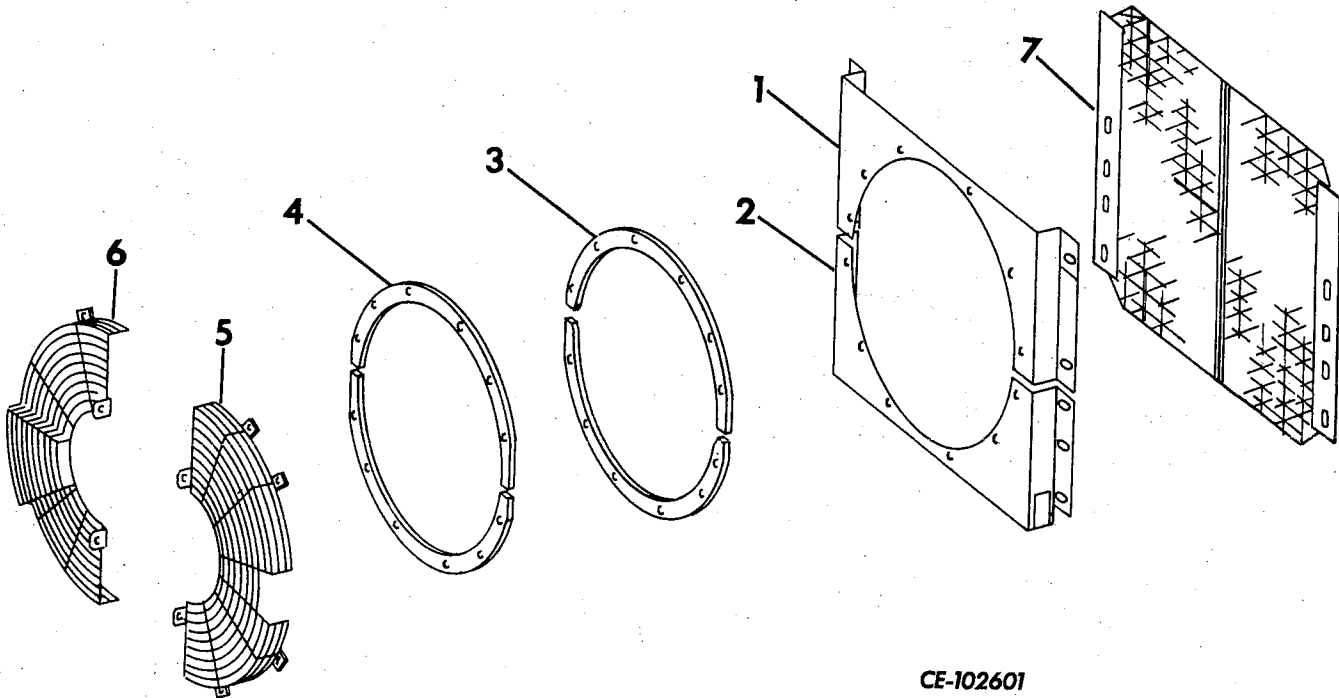
1	338 908 R91 24 840 R1 115 093	FAN, blower (For manual shift and power shift) SCREW, hex-hd cap (6) WASHER, lock (6)	629 471 C91	ATTACHMENT, reversible fan (Not for use on models equipped with radiator core guard) (Consists of FAN, 651 117 C91, six SCREW, 24 840 R1, and six WASHER, 115 093) (See NOTE 4)
2	338 909 R91 24 840 R1 115 093	FAN, suction (For custom application) SCREW, hex-hd cap (6) WASHER, lock (6)		
3	651 117 C91 24 840 R1 115 093	FAN, reversible (Part of ATTACHMENT, 629 471 C91) SCREW, hex-hd cap (6) WASHER, lock (6)		

NOTE 4: Attachment no longer available. Service parts will be furnished.

COOLING

REF. NO.	PART NUMBER	DESCRIPTION	REF. NO.	PART NUMBER	DESCRIPTION
----------	-------------	-------------	----------	-------------	-------------

FAN SHROUDS AND GUARDS



CE-102601

1	651 026 C1 25 770 R1 115 093 103 341	SHROUD, upper fan SCREW, hex-hd cap (4) WASHER, lock (4) WASHER, flat (3)	6	616 295 C1 25 522 R1 26 310 R1 24 839 R1 115 093	GUARD, LH finger NUT (2) SCREW, 1" long hex-hd cap (4) SCREW, 3/4" long hex-hd cap (2) WASHER, lock (2)
2	651 027 C1 25 770 R1 115 093 103 341	SHROUD, lower fan SCREW, hex-hd cap (6) WASHER, lock (6) WASHER, flat (4)	7	651 438 C1	GRID, radiator core guard (Part of GUARD ATTACHMENT, 629 268 C91)
3	620 415 C1	LINER, fan shroud (2)	7	OR 668 095 C1	GRID, radiator core guard
4	620 416 C1 27 768 R1 103 341	STIFFENER, fan shroud liner (2) SCREW, hex-hd cap (4) WASHER, flat (12)	7	629 268 C91	ATTACHMENT, radiator core guard (Consists of GRID, 651 438 C1) (For Manual Shift and Power Shift models equipped w/blower fan) (Not for models equipped w/armored core radiator or reversible fan) (See NOTES 1 and 3)
5	609 995 C92 26 310 R1	GUARD, RH finger SCREW, hex-hd cap (4)			

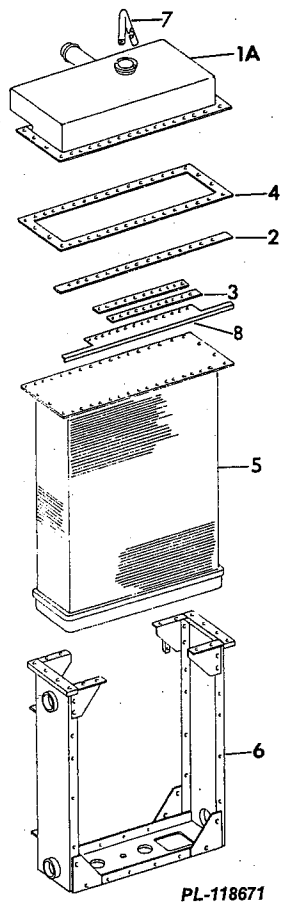
NOTE 1: Factory Application - Order on Machine Order Form.

NOTE 3: Field Application - Order through Regular Parts Channels.

COOLING

REF. NO.	PART NUMBER	DESCRIPTION	REF. NO.	PART NUMBER	DESCRIPTION
----------	-------------	-------------	----------	-------------	-------------

RADIATOR
(For Low Ground Pressure)



4	627 942 C91	KIT, radiator gasket
5	630 717 C1	CORE and BOTTOM TANK, radiator (A)
5	630 718 C1	CORE and BOTTOM TANK, radiator (B)
6	637 479 C1	FRAME ASSY., radiator core
7	709 330 C1	HOSE, radiator overflow
8	637 480 C1	BAR, header angle (B)

A Service parts for woodscore radiator engine side enclosure and perforated (MODINE)

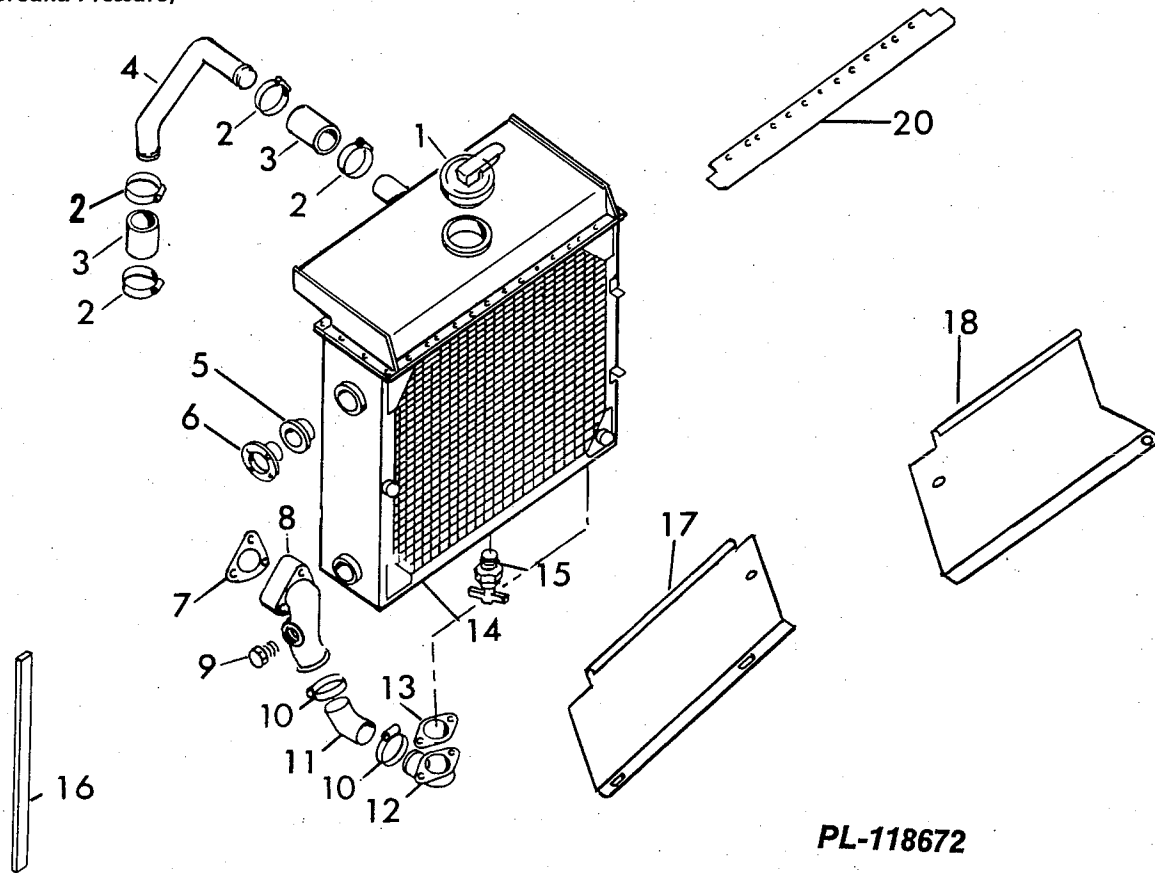
B Service parts for Armored Core radiator assy. (MODINE)

1	634 653 C1	TANK, radiator top
	25 522 R1	NUT (15)
	24 840 R1	BOLT (38)
	115 093	WASHER, lock (38)
2	630 495 C1	BAR, top tank tapping
3	630 489 C1	BAR, top tank header (2)

COOLING

REF. NO.	PART NUMBER	DESCRIPTION	REF. NO.	PART NUMBER	DESCRIPTION
----------	-------------	-------------	----------	-------------	-------------

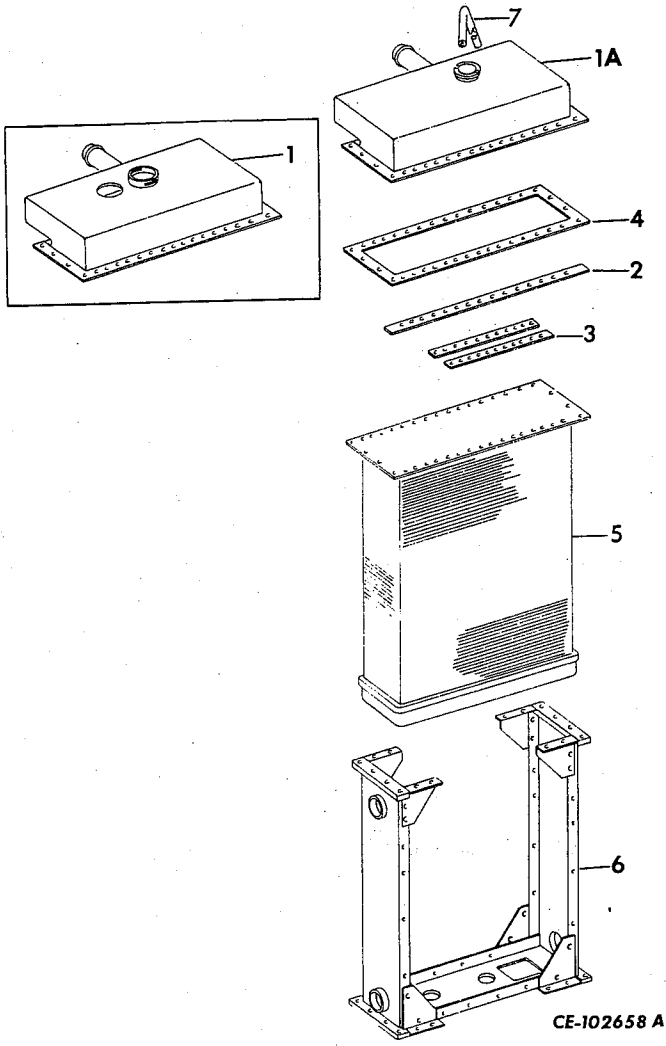
RADIATOR AND CONNECTIONS (For Low Ground Pressure)



PL-118672

1	713 389 C2	CAP, radiator	13	651 038 C1	GASKET, elbow
2	401 345 R1	CLAMP, radiator inlet hose (4)	14		RADIATOR (For components, see list of parts under details of "RADIATOR")
3	407 010 R1	HOSE, radiator inlet tube (2)	15	31 729 D	VALVE, radiator drain
4	706 415 C1	TUBE, radiator inlet	16	609 683 C1	SEAL, radiator side air (2)
5	274 287 R2	MOUNTING, radiator rubber (4)	17	713 480 C1 24 839 R1 115 093 103 341	BAFFLE, RH radiator lower air SCREW, hex-hd tapping (2) WASHER, lock (2) WASHER, flat (2)
6	311 218 R1 616 373 C1	BRACKET, radiator mounting (4) BOLT, radiator mounting (16)	18	713 479 C1 24 839 R1 115 093 103 341	BAFFLE, LH radiator lower air SCREW, hex-hd tapping (3) WASHER, lock (3) WASHER, flat (3)
7	673 396 C1	GASKET, elbow	19	713 482 C1	BAFFLE, radiator top air
8	651 055 C2 277 232 R1 115 093	ELBOW, engine water inlet SCREW, hex-hd cap (3) WASHER, lock (3)	20	274 239 R1	CLIP, overflow pipe (Mount on fan shroud screws) (2)
9	20 990 R1	PLUG, inlet elbow			
10	122 323 R91	CLAMP, radiator outlet hose (2)			
11	651 050 C1	HOSE, radiator outlet elbow			
12	651 037 C1 24 840 R1 115 093	ELBOW, radiator outlet SCREW, hex-hd cap (2) WASHER, lock (2)			

COOLING

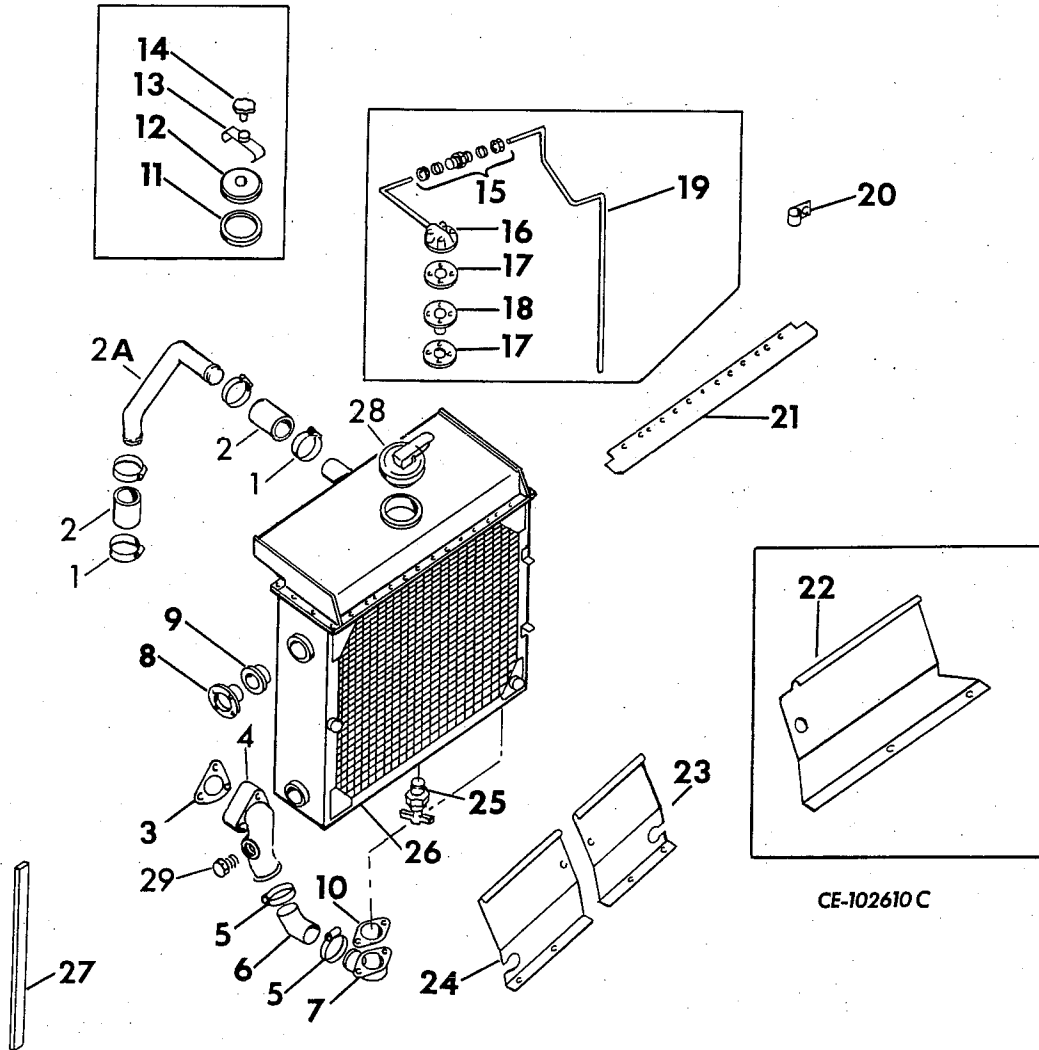
REF. NO.	PART NUMBER	DESCRIPTION	REF. NO.	PART NUMBER	DESCRIPTION
RADIATOR (Not For Low Ground Pressure)			E		Service parts for Armored Core Radiator Assy. (For Power Shift) (MODINE) 3641 and below
	1A		F	632 214 C91	ATTACHMENT, wood core radiator (For machines equipped with engine side enclosure and perforated hood) (Power Shift) #and below
			G	709 333 C91	ATTACHMENT, wood core radiator (For machines equipped with engine side enclosure and perforated hood) (Power Shift) (MODINE) #and up
			H		Service parts for Armored Core Radiator Assy. (For Power Shift) (MODINE) 3642 and up
			I		Service parts for Radiator Assy. (For Custom Application) (MODINE) 3632 and up
			J		Service parts for Radiator Assy. (For Power Shift) (MODINE) 3632 and up
			1	630 714 C1 25 522 R1 24 840 R1 115 093	TANK, radiator top (A, B, C, D, E, F) NUT (15) BOLT (38) WASHER, lock (38)
			1A	634 653 C1 25 522 R1 24 840 R1 115 093	TANK, radiator top(A,B,C,D,E,F) NUT (15) BOLT (38) WASHER, lock (38)
			2	630 495 C1	BAR, top tank tapping
			3	630 489 C1	BAR, top tank header (2)
			4	627 942 C91	KIT, radiator gasket
			5	630 717 C1	CORE and BOTTOM TANK, radiator (A,B, C, I, J)
			5	630 718 C1	CORE and BOTTOM TANK, radiator (D, E, H)
			5	634 380 C1	CORE and BOTTOM TANK, radiator (F, G)
			6	630 715 C1	FRAME ASSY., radiator core (A,D)
			6	630 715 C1	FRAME ASSY., radiator core (B, C, E, F, G, H, I, J)
			7	709 330 C1	HOSE, radiator overflow (G, H, I, J)
A		Service parts for Radiator Assy. (For Manual Shift and Custom Application) (MODINE) 3631 and below			
B		Service parts for Radiator Assy. (For Power Shift) (MODINE) 3631 and below			
C		Service parts for Radiator Assy. (For manual shift and custom application equipped with hinged oil cooler attachment) (MODINE)			
D		Service parts for Armored Core Radiator Assy. (For Manual Shift) (MODINE)			

#- Serial Number Not Available.

COOLING

REF. NO.	PART NUMBER	DESCRIPTION	REF. NO.	PART NUMBER	DESCRIPTION
----------	-------------	-------------	----------	-------------	-------------

RADIATOR AND CONNECTIONS (Not For Low Ground Pressure)



1	401 345 R1	CLAMP, radiator inlet hose (4)	7	651 037 C1 24 840 R1 115 093	ELBOW, radiator outlet SCREW, hex-hd cap (2) WASHER, lock (2)
2	407 010 R1	HOSE, radiator inlet tube (w/clamp 684 072 C1 and Tube 706 415 C1, will work for 651 025 C11) (2)	8	311 218 R1 616 373 C1	BRACKET, radiator mounting (4) BOLT, radiator mounting (16)
2A	706 415 C1	TUBE, radiator inlet	9	274 287 R2	MOUNTING, radiator rubber (4)
3	673 396 C1	GASKET, elbow	10	651 038 C1	GASKET, elbow
4	651 055 C2 277 232 R1 115 093	ELBOW, engine water inlet SCREW, hex-hd cap (3) WASHER, lock (3)	11	620 086 C2	GASKET, radiator cap (x)
5	122 323 R91	CLAMP, radiator outlet hose (2)			
6	651 050 C1	HOSE, radiator outlet elbow			

(x) - For use with TANK 630 714 C1

COOLING

REF. NO.	PART NUMBER	DESCRIPTION	REF. NO.	PART NUMBER	DESCRIPTION
RADIATOR AND CONNECTIONS -- Continued (Not For Low Ground Pressure)					
12	703 480 C1	CAP, radiator (Use with HANDLE, 703 482 C1) (x) (Order the following - 1 HANDLE 663 165 C1 1 CAP 663 167 C1 1 CLAMP 663 169 C1 1 GASKET 620 086 C2)	24	651 499 C1	BAFFLE, RH radiator lower air (Manual shift and custom application) (Not used with hinged oil cooler attachment, 628 243 C91)
12	663 167 C1	CAP, radiator (Use with HANDLE, 663 165 C1) (x)	24	661 502 C1	BAFFLE, RH radiator lower air (Power shift) (Also part of hinged oil cooler attachment, 628 243 C91)
13	703 481 C1	CLAMP, radiator cap (Use with HANDLE, 703 482 C1) (x) (Order the following - 1 HANDLE 663 165 C1 1 CAP 663 167 C1 1 CLAMP 663 169 C1 1 GASKET 620 086 C2)	24 839 R1 115 093 103 341		SCREW, hex-hd tapping (2) WASHER, lock (2) WASHER, flat (2)
13	663 169 C1	CLAMP, radiator cap (Use with HANDLE, 663 165 C1) (x)	25	31 729 D	VALVE, radiator drain
14	703 482 C1	HANDLE with 1-1/4" long bolt, radiator cap (x) (Order the following - 1 HANDLE 663 165 C1 1 CAP 663 167 C1 1 CLAMP 663 169 C1 1 GASKET 620 068 C2)	26		RADIATOR (For components, see list of parts under details of "RADIATOR")
	17 271 R1	PIN, spring	27	609 683 C1	SEAL, radiator side air (2)
14	663 165 C1	HANDLE, with 1-1/2" long bolt, radiator cap (x)	28	713 389 C2	CAP, radiator (#)
	17 271 R1	PIN, spring (x)	327 393 R1		GROMMET, radiator oil line (For manual shift and custom application)
15	140 302	CONNECTOR, overflow pipe (x)	29	20 990 R1	PLUG, inlet elbow
16	327 777 R91 24 841 R1 115 093	HOUSING, pressure valve (x) SCREW, hex-hd cap (4) WASHER, lock (4)			
17	320 391 R1	GASKET, pressure valve housing (2) (x)			
18	321 149 R92	VALVE, radiator pressure (x)			
19	331 833 R2	PIPE, overflow (x)			
20	274 239 R1	CLIP, overflow pipe (Mount on fan shroud screws) (2)			
21	624 416 C1	BAFFLE, radiator top air			
22	661 500 C1	BAFFLE, LH radiator lower air (For power shift) (Also part of hinged oil cooler attachment, 628 243 C91)			
	24 839 R1 115 093 103 341	SCREW, hex-hd tapping (3) WASHER, lock (3) WASHER, flat (3)			
23	651 497 C1	BRACKET, LH radiator lower air (For manual shift and custom application) (Not used with hinged oil cooler attachment, 628 243 C91)			
	24 839 R1 115 093 103 341	SCREW, hex-hd tapping (3) WASHER, lock (3) WASHER, flat (3)			

(x) - For use with TANK 630 714 C1.
(#) - For use with TANK 634 653 C1.



**REFER TO ALPHABETICAL INDEX
FOR COMPLETE LISTING OF PARTS**

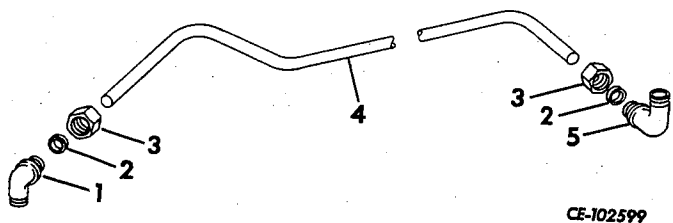
DRIVE TRAIN

7

DRIVE TRAIN

REF. NO.	PART NUMBER	DESCRIPTION
----------	-------------	-------------

CLUTCH VENT TUBE (For Manual Shift and Custom Applications)

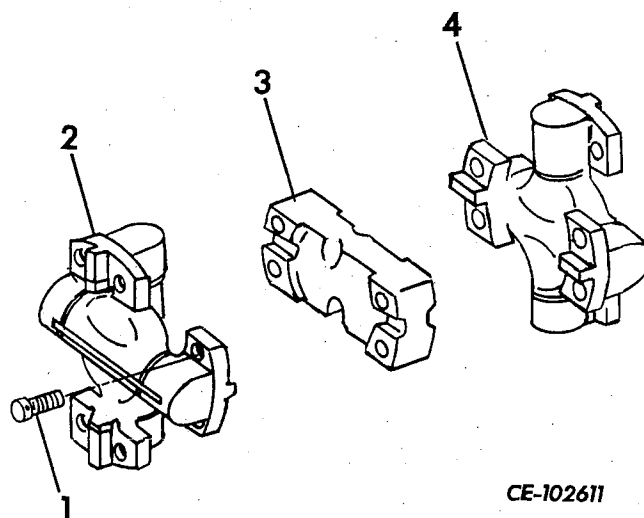


CE-102599

1	606 930 C1	ELBOW, clutch housing vent
2	265 204 R1	SLEEVE, tube (2)
3	265 205 R1	NUT, tube (2)
4	654 398 C91	TUBE w/two NUT, 265 205 R1, and two SLEEVE, 265 204 R1, clutch housing vent
5	606 845 C1	ELBOW, vent tube (In rear main frame cover)

REF. NO.	PART NUMBER	DESCRIPTION
----------	-------------	-------------

UNIVERSAL JOINT



CE-102611

A	658 396 C91	"U" JOINT ASSY. (For Manual Shift and Custom Applications)
	334 690 R1	SCREW, 12 point flanged (8)
B	654 897 C91	"U" JOINT ASSY. (Order "U" Joint Assy., 654 897 C93) (For Power Shift)
	25 705 R1	SCREW, hex-hd cap (8)
C	654 897 C92	"U" JOINT ASSY. (Order "U" Joint Assy., 654 897 C93 and eight SCREW, 25705 R1) (For Power Shift)
	25 774 R1	SCREW, hex-hd cap (8)
	25 523 R1	NUT (8)
D	654 897 C93	"U" JOINT ASSY. (For Power Shift)
	25 705 R1	SCREW, hex-hd cap (8)
1	630 388 C1	SCREW, ferr-y-hd cap (4 for A)
1	120 001 H1	SCREW, hex-hd cap (8 for B)
1	25 774 R1	SCREW, hex-hd cap (8 for C)
	25 523 R1	NUT (8)
1	25 705 R1	SCREW, hex-hd cap (8 for D)
2	630 386 C91	SPIDER and BEARING ASSY. (A)
2	631 042 C91	SPIDER and BEARING ASSY. (B, C and D)
3	117 463 H1	PLATE, coupling (A)
3		PLATE, coupling (Not furnished separately) (B, C and D)
4	630 385 C91	SPIDER and BEARING ASSY. (A)
4	631 042 C91	SPIDER and BEARING ASSY. (B, C and D)

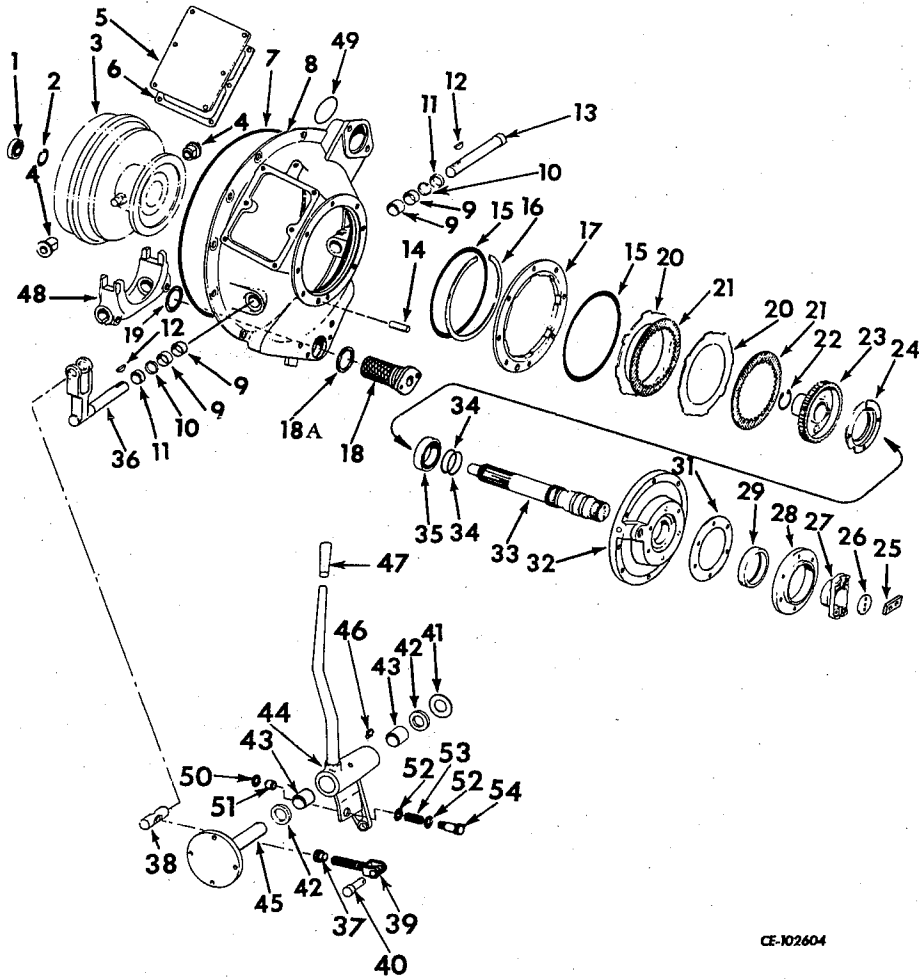
DRIVE TRAIN

MEMORANDA

DRIVE TRAIN

REF. NO.	PART NUMBER	DESCRIPTION	REF. NO.	PART NUMBER	DESCRIPTION
----------	-------------	-------------	----------	-------------	-------------

CLUTCH AND CONTROLS (For Manual Shift and Custom Applications)



CF-102604

1	ST 225B	BEARING, clutch shaft pilot	8	654 178 C91	HOUSING w/four BUSHING, 263 696 R1, and PIN, 19 942 R1, clutch
2	336 000 R1	RING, clutch retaining (2)		70 427 R1	SCREW, 7/16 x 1-1/4" hex-hd cap (10)
3		CLUTCH (For components, see list of parts under details of "Clutch")		115 314	WASHER, lock (12)
	27 403 R1	SCREW, hex-hd cap (12)		24 856 R1	SCREW, 7/16 x 4" hex-hd cap (2)
	232 360 R1	WASHER, clutch mounting (12)	9	263 696 R1	BUSHING, engine clutch release shaft (4)
4	42 298 DB	BUSHING, clutch release shaft shifter pin (2)	10	333 998 R91	SEAL, engine clutch release shaft (2)
5	334 524 R1	COVER, inspection hole	11	336 016 R1	RING, oil seal wear (2)
	24 849 R1	SCREW, hex-hd cap (6)	11	347 392 R1	RING, oil seal wear (2)
	115 314	WASHER, lock (6)	12	114 745	KEY, clutch fork and release shaft (2)
6	334 525 R1	GASKET, inspection hole cover	13	334 554 R12	SHAFT w/RING, 336 016 R1, RH engine clutch release
7	321 988 R1	RING, clutch housing to flywheel housing sealing	14	19 942 R1	PIN, housing locating

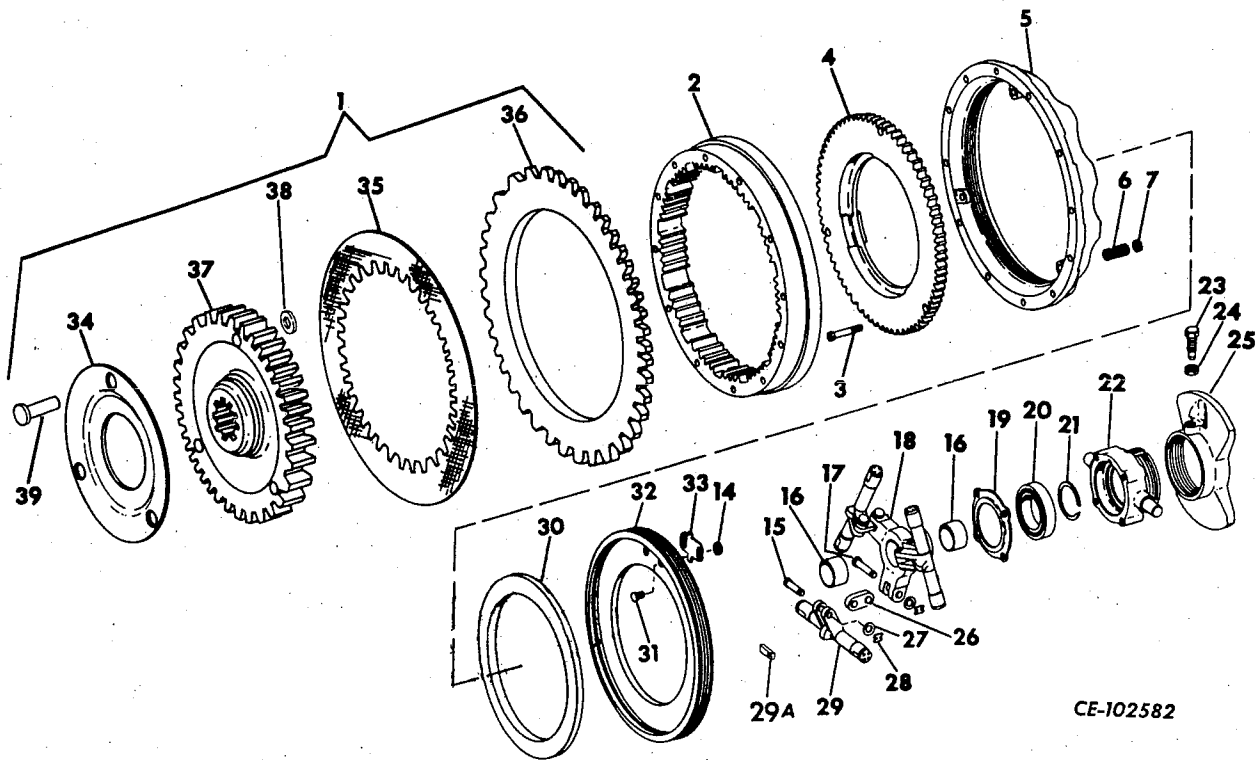
DRIVE TRAIN

REF. NO.	PART NUMBER	DESCRIPTION	REF. NO.	PART NUMBER	DESCRIPTION
CLUTCH AND CONTROLS — Continued (For Manual Shift and Custom Applications)					
15	22 425 R1	"O" RING, retainer (2)	39	278 847 R1	LINK, engine clutch operating
16	334 527 R1	RING, clutch brake disc retaining	40	103 499 103 385	PIN, engine clutch operating link PIN, cotter
17	331 815 R1	RETAINER, outer drive ring	41	49 068 K 69 339 R1	WASHER, engine clutch hand lever RING, engine clutch hand lever snap
18	603 230 C92 70 427 R1 115 314	STRAINER, clutch sump SCREW, hex-hd cap (2) WASHER, lock (2)	42	62 360 C1	SEAL, hand lever hub (2)
18A	383 260 R1	"O" RING, 2-1/2 x 2-7/8 x 3/16" clutch sump strainer	43	95 373 R2	BUSHING, engine clutch hand lever
19	389 578 R1	"O" RING, 3-3/8 x 3-3/4 x 3/16" clutch sump (Mounted in flywheel housing)	44	628 225 C91	LEVER w/two BUSHING, 95 373 R2 and BUSHING, 318 588 R1, engine clutch hand (For Manual Shift)
20	324 452 R1	PLATE, external spline clutch brake (3)	44	628 226 C91	LEVER w/two BUSHING, 95 373 R2 and BUSHING, 318 588 R1, engine clutch hand (For Custom Application)
21	324 456 R1	PLATE, internal spline clutch brake (3)	45	603 338 C2 25 526 R1 24 862 R1 116 121	SHAFT, engine clutch hand lever NUT (4) SCREW, hex-hd cap (4) WASHER, lock (4)
22	202 307 R1	RING, clutch brake hub retaining	46	109 462	FITTING, 1/8 x 90° engine clutch hand lever hub lubrication
23	331 814 R1	HUB, clutch brake	47	619 405 C1	HANDLE, engine clutch hand lever
24	334 534 R1 138 241 114 606	RETAINER, clutch shaft rear bearing SCREW, soc-hd mach (4) WASHER, external tooth lock (4)	48	260 919 R4 24 873 R1	FORK, clutch release SCREW, hex-hd cap (2)
25	334 535 R1 24 848 R1	PLATE, bolt lock SCREW, hex-hd cap (2)	49	370 944 R1	"O" RING, 1-3/8 x 1-1/2 x 1/16" pump drive seal
26	345 605 R1	PLATE, clutch shaft end	50	142 127 R1	WASHER, flat
27	658 397 C1	YOKE, clutch drive	51	318 588 R1	BUSHING, hand lever
28	611 247 C1 24 849 R1 115 314	RETAINER, clutch shaft rear seal SCREW, hex-hd cap (6) WASHER, lock (6)	52	607 895 R1	WASHER, flat (2)
29	610 712 C92	SEAL, clutch shaft rear	53	238 626 R1	SPRING, compression
31	334 529 R1	GASKET, clutch rear seal retainer	54	654 199 C1 125 233 137 175	BOLT, diverter valve actuating NUT, NF hex-slt PIN, cotter
32	331 813 R1 203 762 R1 444 660 115 314	COVER, clutch housing end SCREW, hex-hd cap (8) PLUG, 3/8"NPT WASHER, lock (8)			
33	331 811 R3 444 654	SHAFT, clutch PLUG, pipe			
34	336 001 R1	RING, clutch shaft sealing (2)			
35	205 368 R91	BEARING, clutch shaft rear			
36	611 454 C91	SHAFT w/RING, 336 016 R1, LH engine clutch release			
37	277 549 R1	NUT, engine clutch operating link lock			
38	604 174 C1 109 462	PIN, engine clutch release shaft FITTING, engine clutch release shaft (2)			

DRIVE TRAIN

REF. NO.	PART NUMBER	DESCRIPTION	REF. NO.	PART NUMBER	DESCRIPTION
----------	-------------	-------------	----------	-------------	-------------

CLUTCH
(Rockford)
(For Manual Shift and Custom Applications)



CE-102582

	702 223 C91	RING ASSY., clutch cover and drive (Consists of -		19	31 242 DA PLATE, bearing carrier 442 695 SCREW, hex-hd cap w/ lock WASHER (4)
1	610 215 C91	DISC ASSY., pack and center (*)			
2	347 834 R1 179 820 103 320	RING, drive SCREW, hex-hd cap (3) WASHER, lock (pin) (3)	20	590 954 R91	BEARING, ball
3	324 964 R1	SCREW, fil-hd cap (3)	21	29 780 D	RING, external snap
4	324 961 R1 261 106 R1 114 604	PLATE, pressure BOLT, fil-hd (6) WASHER (6)	22	347 831 R1	CARRIER, bearing
5	347 828 R1	PLATE, back	23	347 835 R1	SCREW, camblock adjusting
6	347 830 R1	SPRING, return (3)	24	114 496	NUT, jam
7	261 069 R1	NUT, lock (3)	25	347 825 R91	DISC w/NUT, 114 496 and SCREW, 347 835 R1, brake
14	114 494	NUT, NF (2)	26	43 207 D	LINK, connecting (3)
15	319 620 R1	PIN, connecting link (Short) (3)	27	615 029 R1	WASHER, plain (6)
16	26 039 DA	BUSHING, release sleeve (2)	28	267 689 R1	WASHER, "X" (Connecting link pin) (6)
17	319 619 R1	PIN, connecting link (Long) (3)	29	702 324 C1	PACKAGE, camshaft
18	347 824 R91	SLEEVE w/two BUSHING, 26 039 DA, release			
				(*)	- Not furnished as part of RING ASSY., 702 223 C91.

DRIVE TRAIN

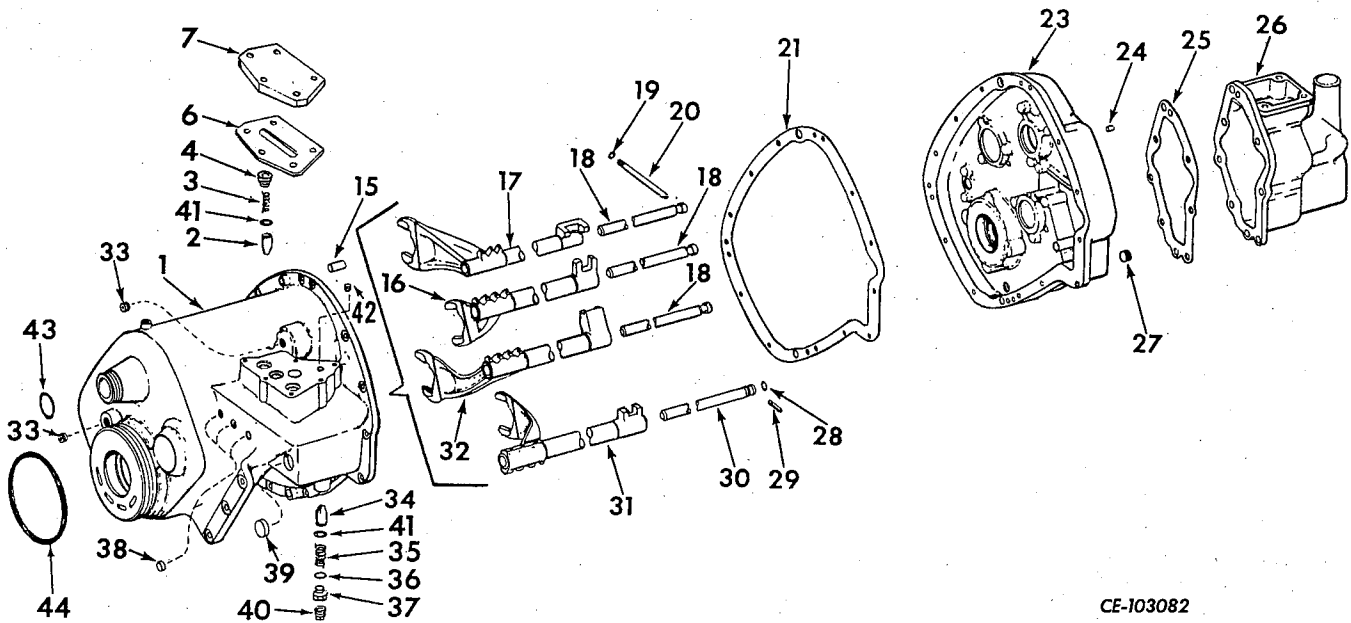
REF. NO.	PART NUMBER	DESCRIPTION	REF. NO.	PART NUMBER	DESCRIPTION
CLUTCH — Continued (Rockford) (For Manual Shift and Custom Applications)					
29A	267 665 R91	CAMBLOCK (Set of 6) (Consists of six CAMBLOCKS, six SCREW, 261 106 R1 and six LOCK- WASHER, 114 604)			
	261 106 R1	SCREW, special (6)			
	114 604	WASHER, ext-tooth lock (6)			
30	31 238 DA	PLATE, adjusting			
31	610 204 C1	SCREW, adjustment lock (2)			
	610 205 C1	WASHER, plain (2)			
32	55 371 DA	RING, adjusting			
33	610 203 C1	LOCK, adjustment			
34	610 217 C1	COVER, hub (*)			
35	610 220 C91	DISC w/FACING, inner (*) (3)			
36	610 221 C1	DISC, outer (*) (2)			
37	610 216 C1	CENTER, splined (*)			
38	610 219 C1	WASHER (*) (3)			
39	610 218 C1	RIVET (*) (3)			

(*) - Not furnished as part of RING ASSY.,
702 223 C91.

DRIVE TRAIN

REF. NO.	PART NUMBER	DESCRIPTION	REF. NO.	PART NUMBER	DESCRIPTION
----------	-------------	-------------	----------	-------------	-------------

TRANSMISSION CASE, COVER AND SHIFTING FORKS (For Manual Shift and Custom Applications)



	654 348 C91	TRANSMISSION ASSY. (For Manual Shift) (Consists of all parts listed under "Transmission for Manual Shift and Custom Applications" except as noted -	15	125 860	DOWEL, 3/4 x 1-1/2" (2)
			16	327 856 R11	FORK, third and fourth gear shifter
			17	327 859 R11	FORK, fifth gear shifter
	654 349 C91	TRANSMISSION ASSY. (For Custom Applications) (Consists of all parts listed under "Transmission for Manual Shift and Custom Applications" except as noted -	18	327 862 R1	SHAFT, gear shifter upper (3)
	27 432 R1	SCREW, hex-hd cap (6)	19	355 967 R1	"O" RING, gear shifter upper shaft lock pin (3/8 x 1/2 x 1/16")
	25 538 R1	WASHER, hardened (6)	20	327 863 R1	PIN, gear shifter upper shaft lock
1	334 847 R31	CASE w/two PLUG, 9 409 949, and four PLUG, 373 553 R1, transmission		25 496 R1	SCREW, hex-hd cap
2	654 200 C1	POPPET, first thru fifth gear shifter (3)		PO 10 532	WASHER, flat
3	269 908 R1	SPRING, first thru fifth gear shifter poppet (3)		115 093	WASHER, lock
4	327 874 R1	PLUG, first thru fifth gear poppet spring retainer (3)	21	334 106 R2	GASKET, transmission cover
6	654 205 C1	GASKET, gear shift lock manifold	23	603 164 C11	COVER w/two DOWEL, 125 860, two DOWEL, 141 279 and PLUG, 270 835 R1, transmission
7	654 204 C1	MANIFOLD, gear shift lock		25 524 R1	NUT (9)
	25 497 R1	SCREW, hex-hd cap (5)		24 851 R1	SCREW, 7/16 x 1-3/4" hex-hd cap (7)
	142 127 R1	WASHER, hardened (5)		115 314	WASHER, lock (9)
				25 262 R1	SCREW, 7/16 x 3-3/4" hex-hd cap (2)
			24	141 279	DOWEL, 1/2 x 3/4" (2)

DRIVE TRAIN

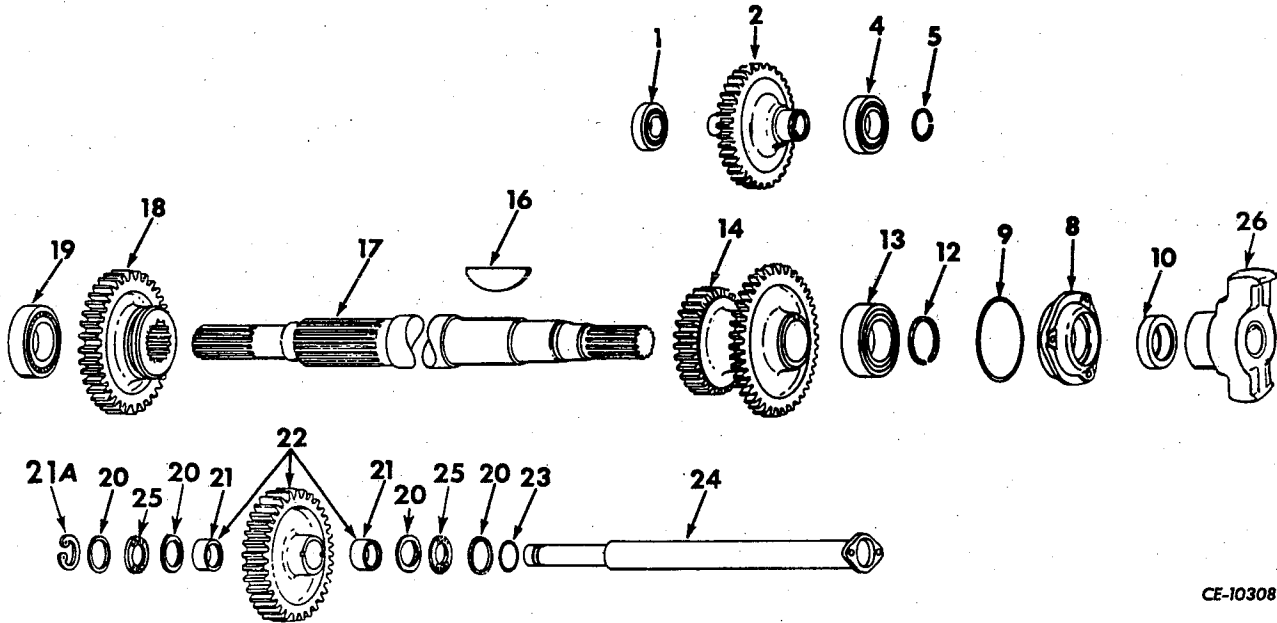
REF. NO.	PART NUMBER	DESCRIPTION	REF. NO.	PART NUMBER	DESCRIPTION
TRANSMISSION CASE, COVER AND SHIFTING FORKS (For Manual Shift and Custom Applications) - Continued					
25	334 119 R1	GASKET, gear shifter housing			
26	327 851 R1	HOUSING, gear shifter			
	25 524 R1	NUT (4)			
	70 427 R1	SCREW, 7/16 x 1-1/4" hex-hd cap (3)			
	24 857 R1	SCREW, 7/16 x 4-1/2" hex-hd cap (4)			
	115 314	WASHER, lock (7)			
27	270 835 R1	PLUG, csk pipe			
28	350 667 R1	"O" RING, gear shifter lower shaft (11/16 x 7/8 x 3/32")			
29	19 885 R1	PIN, 1/4 x 1-3/8" spiral			
30	327 866 R2	SHAFT, gear shifter lower			
31	327 864 R11	FORK, forward and reverse gear shifter			
32	327 853 R11	FORK, first and second gear shifter			
33	9 409 949	PLUG, sq-soc pipe (2)			
34	654 200 C1	POPPET, forward and reverse gear shifter			
35	269 908 R1	SPRING, forward and reverse gear shifter poppet			
36	120 428	GASKET, forward and reverse gear shifter poppet plug			
37	654 201 C1	PLUG, forward and reverse gear shifter poppet			
	142 619 H	WASHER, 13/32" flat			
38	373 553 R1	PLUG, transmission case cup (3)			
39	373 553 R1	PLUG, transmission case cup			
40	23 598 R1	BUSHING, poppet plug reducer			
41	574 069 R1	"O" RING, poppet (3/4 x 7/8 x 1/16") (4)			
42	444 655	PLUG, lock plate port			
43	654 746 C1	"O" RING, transmission case upper (2-3/8 x 2-3/4 x 3/16") (*)			
44	654 748 C1	"O" RING, transmission case lower (7-3/4 x 8-1/4 x 1/4") (*)			

(*) - Not part of Transmission Assembly.

DRIVE TRAIN

REF. NO.	PART NUMBER	DESCRIPTION	REF. NO.	PART NUMBER	DESCRIPTION
----------	-------------	-------------	----------	-------------	-------------

**TRANSMISSION
REVERSE IDLER GEAR, INPUT SHAFT
AND FIFTH SPEED IDLER SHAFT
(For Manual and Custom Applications)**



CE-103081

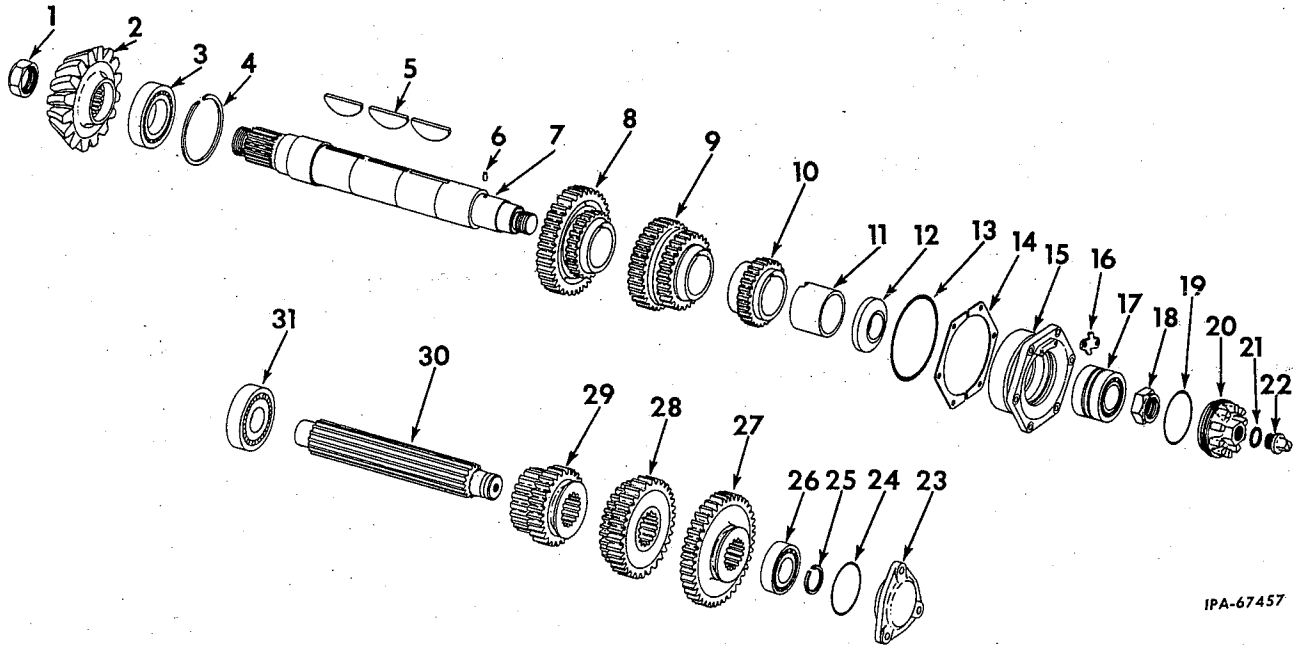
1	606 161 C91	BEARING, reverse idler rear	19	321 966 R91	BEARING, transmission input rear
2	616 460 C1	GEAR, reverse idler	20	864 982 R1	RACE, 5th speed idler gear thrust bearing (4)
4	ST 205 A	BEARING, reverse idler front	21	308 674 R91	BEARING (2)
5	359 141 R1	RING, reverse idler front bearing snap	21A	631 530 R1	RING, 5th speed idler shaft retainer
8	658 105 C1 610 081 C1 115 314	HOUSING, input shaft oil seal BOLT (3) WASHER, lock (3)	22	603 160 C11	GEAR, 5th speed idler
9	610 411 C1	"O" RING, input shaft oil seal housing (3-1/2 x 3-3/4 x 1/8")	23	252 483 R1	"O" RING, 5th speed idler shaft (1-1/4 x 1-1/2 x 1/8")
10	619 586 C91	SEAL and ROTOR, transmission input shaft	24	654 242 C1 70 427 R1 115 314	SHAFT, 5th speed idler SCREW, hex-hd cap (2) WASHER, lock (2)
12	358 236 R1	RING, transmission input shaft bearing snap	25	368 372 R91	BEARING, 5th speed idler gear thrust (2)
13	ST 278	BEARING, transmission input shaft front	26	658 103 C1	YOKE, transmission drive (*)
14	603 162 C1	GEAR, forward and reverse driving			
16	12 484 R1	KEY, forward and reverse driving gear (Woodruff No. 30)			
17	658 106 C1	SHAFT, transmission input			
18	603 161 C1	GEAR, fifth speed driving			

(*) - Not part of Transmission Assy.

DRIVE TRAIN

REF. NO.	PART NUMBER	DESCRIPTION	REF. NO.	PART NUMBER	DESCRIPTION
----------	-------------	-------------	----------	-------------	-------------

**TRANSMISSION
BEVEL PINION SHAFT AND SPLINE SHAFT
(For Manual Shift and Custom Applications)**



IPA-67457

1	19 829 R1	NUT, bevel pinion retainer	13	610 415 C1	"O" RING, bevel pinion shaft bearing cage (4-7/8 x 5-3/8 x 1/4")
2		PINION, bevel (*)	14	334 686 R1	SHIM, bevel pinion shaft (.015") (x)
3	705 320 C91	BEARING, pinion rear	14	334 688 R1	SHIM, bevel pinion shaft (.004") (x)
4	324 049 R1	RING, rear bearing bevel pinion retainer	14	334 687 R1	SHIM, bevel pinion shaft (.007") (x)
5	12 484 R1	KEY, driven gear (3)	15	334 685 R2	CAGE, pinion shaft bearing
6	141 127	PIN, 5/32 x 5/16" dowel		24 850 R1	SCREW, hex-hd cap (6)
7	327 839 R1	SHAFT, bevel pinion		115 314	WASHER, lock (6)
8	654 233 C1	GEAR, first and fifth speed driven (43-26T) (+)	16	325 007 R1	LOCK, bevel pinion shaft front bearing retainer
8	654 140 C1	GEAR, first and fifth speed driven (39-26T) (%)		24 839 R1	SCREW, hex-hd cap (2)
9	603 155 C1	GEAR, second and third speed driven (34-30T) (%)		115 093	WASHER, lock (2)
9	654 232 C1	GEAR, second and third speed driven (38-34T) (+)	17	321 969 R91	BEARING, bevel pinion shaft front
10	603 156 C1	GEAR, fourth speed driven (27T) (%)	18	19 499 R1	NUT, bevel pinion shaft front
10	603 227 C1	GEAR, fourth speed driven (29T) (+)	19	285 723 R1	"O" RING, bevel pinion shaft front bearing retainer (3-1/8 x 3-3/8 x 1/8")
11	325 003 R1	SPACER, bevel pinion shaft rear	20	325 005 R1	RETAINER, bevel pinion shaft front bearing
12	325 004 R1	SPACER, bevel pinion shaft front			

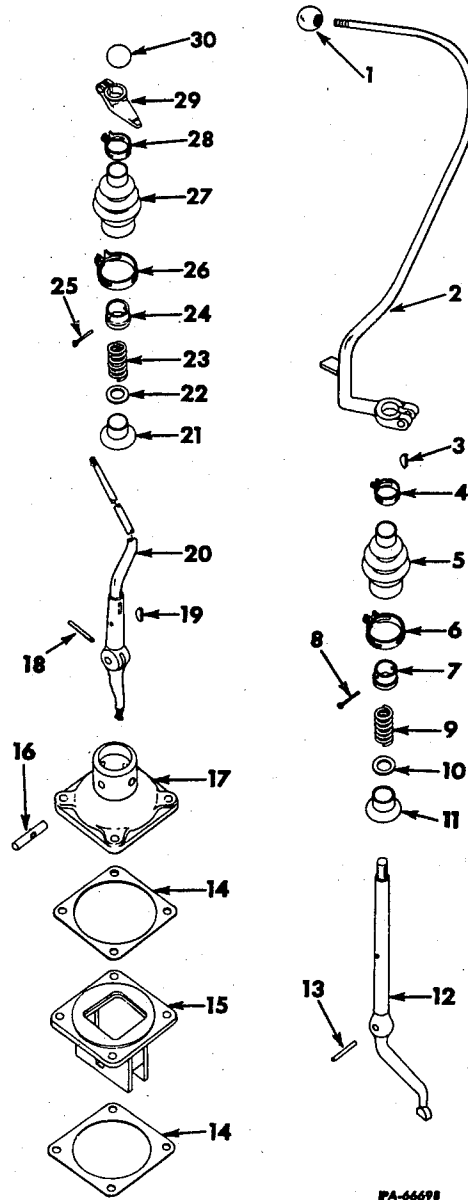
(+) - For Manual Shift.
 (%) - For Custom Applications.
 (*) - Listed and illustrated with "Steering Planetary Drive."
 (x) - As Required.

DRIVE TRAIN

REF. NO.	PART NUMBER	DESCRIPTION
TRANSMISSION		
BEVEL PINION SHAFT AND SPLINE SHAFT - Continued		
(For Manual Shift and Custom Applications) - Continued		

21	269 910 R1	GASKET, bevel pinion shaft front bearing retainer plug
22	269 909 R2	PLUG, bevel pinion shaft front bearing retainer
23	603 206 C1 70 427 R1 115 314	CAP, spline shaft front bearing SCREW, hex-hd cap (3) WASHER, lock (3)
24	259 246 R1	"O" RING, spline shaft front bearing cap (3-7/8 x 4-1/8 x 1/8")
25	359 894 R1	RING, spline shaft front bearing snap
26	ST 203	BEARING, spline shaft front
27	603 159 C1	GEAR, forward and reverse driven (45T)
28	603 229 C1	GEAR, third and fourth speed driving (38-32T) (+)
28	603 158 C1	GEAR, third and fourth speed driving (37-40T) (%)
29	654 231 C1	GEAR, first and second speed driving (27-23T) (+)
29	654 139 C1	GEAR, first and second speed driving (28-33T) (%)
30	603 205 C1	SHAFT, spline
31	631 634 C91	BEARING, spline shaft rear

REF. NO.	PART NUMBER	DESCRIPTION
TRANSMISSION CONTROLS		
(For Manual Shift and Custom Applications)		
(Not Part of Transmission Assembly)		



1	264 055 R2	BALL, forward and reverse shift lever.
2	650 377 C1	LEVER, forward and reverse (For Custom Applications)
2	651 359 C1	LEVER, forward and reverse (For Manual Shift)
	25 526 R1	NUT
	24 865 R1	SCREW, hex-hd cap
	116 121	WASHER, lock

(+) - For Manual Shift.
(%) - For Custom Application.

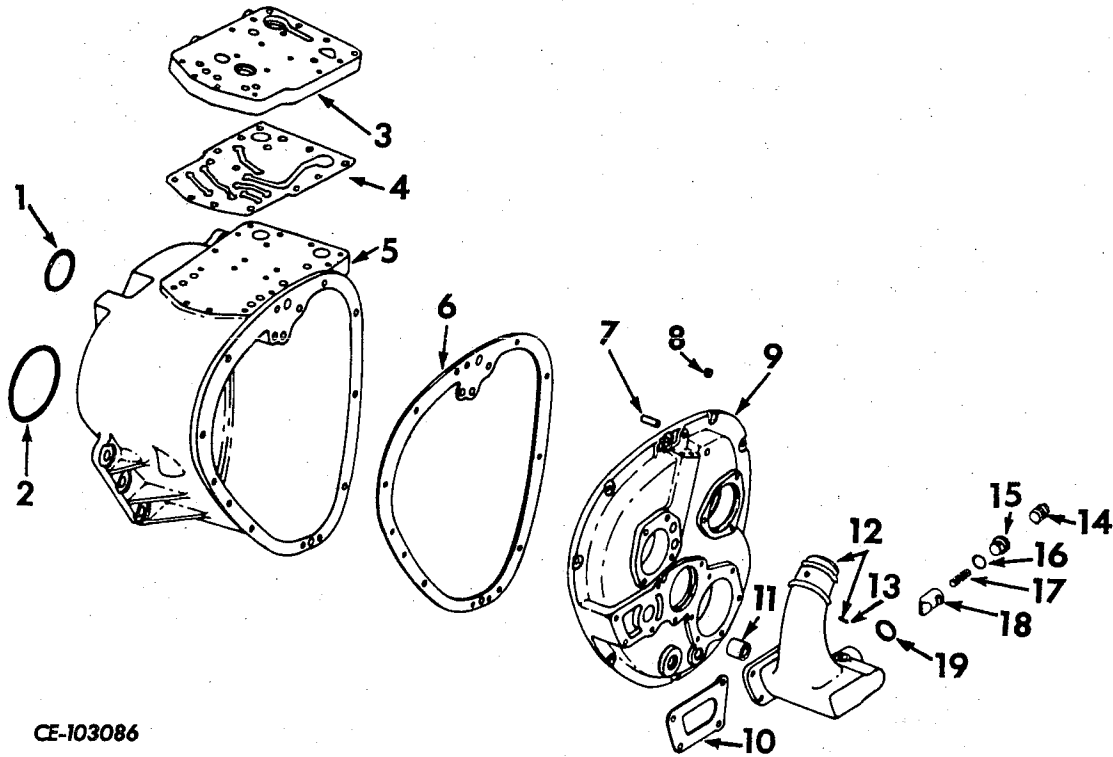
DRIVE TRAIN

REF. NO.	PART NUMBER	DESCRIPTION	REF. NO.	PART NUMBER	DESCRIPTION
TRANSMISSION CONTROLS — Continued (For Manual Shift and Custom Applications) (Not Part of Transmission Assembly)					
3	124 552	KEY (Woodruff No. 1)	28	252 977 R91	CLAMP, shifter lever boot upper
4	252 977 R91	CLAMP, forward and reverse shift lever upper	29	327 842 R1	LEVER, fifth and reverse gear shift lock out
5	325 029 R1	BOOT, forward and reverse shift lever		24 841 R1	SCREW, hex-hd cap
6	274 088 R91	CLAMP, forward and reverse shift lever lower		115 093	WASHER, lock
7	252 852 R1	STOP, forward and reverse lever swivel cap spring	30	264 055 R2	BALL, shifter lever
8	104 076	RIVET, rd-hd			
9	252 844 R1	SPRING, forward and reverse lever swivel cap			
10	256 141 R1	WASHER, forward and reverse lever swivel cap spring			
11	325 028 R1	CAP, forward and reverse lever swivel			
12	327 846 R1	LEVER, forward and reverse gear shift pivot			
13	306 025 R2	SHAFT, forward and reverse gear shift lever			
14	327 872 R1	GASKET, gear selector (2)			
15	327 868 R91	GATE, gear selector			
16	306 026 R1	SHAFT, shifter lever large			
17	327 873 R1	TOWER, gear selector			
	140 483 H	SCREW, hex-hd cap (4)			
	115 093	WASHER, lock (4)			
18	306 025 R2	SHAFT, shifter lever small			
19	124 549	KEY, (Woodruff No. 9)			
20	650 376 C1	LEVER, gear shift hand (For Custom Applications)			
20	612 576 C1	LEVER, gear shift hand (For Manual Shift)			
21	325 028 R1	CAP, shifter swivel			
22	256 141 R1	WASHER, swivel cap spring			
23	252 844 R1	SPRING, swivel cap			
24	252 852 R1	STOP, swivel cap spring			
25	104 076	RIVET, rd-hd			
26	274 088 R91	CLAMP, shifter lever boot lower			
27	325 029 R1	BOOT, shifter lever			

DRIVE TRAIN

REF. NO.	PART NUMBER	DESCRIPTION	REF. NO.	PART NUMBER	DESCRIPTION
----------	-------------	-------------	----------	-------------	-------------

TRANSMISSION CASE AND COVER AND RELATED PARTS
(For Power Shift)



CE-103086

628 255 C91		TRANSMISSION ASSY. (Order TRANSMISSION, 658 065 C91 and SHAFT, 23 092 R1) 1460 and below	5	334 848 R21	CASE w/BUSHING, 298 401 R1, four PLUG, 444 873, and two PLUG, 9 409 949, transmission PLUG, 1/2" hex-soc-hd pipe (4) PLUG, 3/4"NPT (2)
658 065 C91		TRANSMISSION ASSY. 1461 and up	6	325 021 R2	GASKET, transmission cover
27 432 R1		SCREW, 3/4 hex-hd cap (6) hex-hd cap (6)	7	125 860	DOWEL, 3/4 x 1-1/2" (2)
140 483 H		SCREW, 3/8" hex-hd cap (2)	8	444 873	PLUG, hex-soc-hd pipe (2)
115 093		WASHER, lock (2)	9	331 778 R11	COVER ASSY., transmission (Composed of -
25 538 R1		WASHER, hardened (6) (Consists of all parts listed under "Transmission (For Power Shift)" except as noted -			1 BUSHING 298 401 R1
1	654 746 C1	"O" RING, transmission case upper (2-3/8 x 2-3/4 x 3/16") (*)			§ 1 COVER
2	654 748 C1	"O" RING, transmission case lower (7-3/4 x 8-1/4 x 1/4") (*)			2 DOWEL 125 860
3	616 301 C1	SPACER, main regulator and range selector valve			2 PLUG 444 873
	632 287 C1	BOLT, spacer (8)			1 PLUG 270 835 R1)
	116 120	WASHER, lock (8)		25 524 R1	NUT (12)
				24 851 R1	SCREW, hex-hd cap (10)
				115 314	WASHER, lock (12)
				270 835 R1	PLUG, countersunk pipe
4	616 302 C1	GASKET, valve spacer	10	325 022 R1	GASKET, high-low shifter housing

(*) - Not part of Transmission Assy.
§ - Not Furnished Separately.

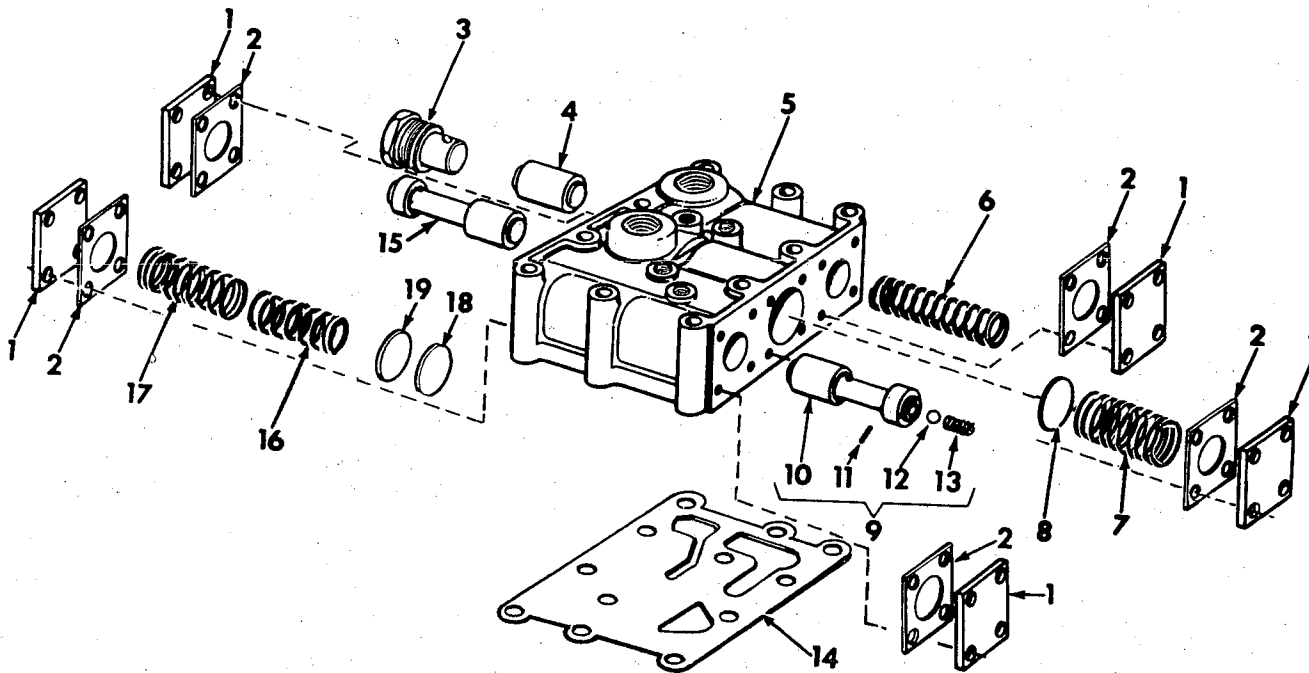
DRIVE TRAIN

REF. NO.	PART NUMBER	DESCRIPTION	REF. NO.	PART NUMBER	DESCRIPTION
TRANSMISSION CASE AND COVER AND RELATED PARTS - Continued (For Power Shift) - Continued			610 415 C1		RING, bevel pinion shaft bearing cage sealing
			324 022 R1		RING, needle bearing retainer and sealing
11	298 401 R1	BUSHING, high-low shifter (2)	350 684 R1		RING, range selector valve shaft sealing
12	628 260 C91	HOUSING ASSY. w/PIN, 141 152, high-low shifter 1460 and below	324 223 R2		RING, accelerating piston sealing (Forward clutch pack) (2)
12	629 698 C91	HOUSING ASSY. w/PIN, 141 152, High-low shifter 1461 and up	324 223 R2		RING, accelerating piston sealing (Reverse clutch pack) (2)
	70 427 R1	SCREW, 1-1/4" long hex-hd cap (2)	627 969 C1		RING, piston and piston housing sealing (Forward clutch pack) (4)
	24 857 R1	SCREW, 4-1/4" long hex-hd cap (2)	627 969 C1		RING, piston and piston housing sealing (Reverse clutch pack) (4)
	115 314	WASHER, lock (2)	324 226 R1		RING, clutch piston sealing (Forward clutch pack)
13	141 152	PIN, 3/16 x 9/16" dowel	324 226 R1		RING, clutch piston sealing (Reverse clutch pack)
14	23 598 R1	BUSHING, reducer	324 227 R1		RING, piston housing sealing (Forward clutch pack)
15	657 911 C1	PLUG, sq-soc	324 227 R1		RING, piston housing sealing (Reverse clutch pack)
16	142 756	GASKET, annular	325 059 R1		RING, forward clutch shaft rear sealing (4)
17	664 299 R1	SPRING, poppet	325 059 R2		RING, reverse clutch shaft sealing (4)
18	657 910 C1	POPPET, high-low shifter	347 641 R1		RING, range selector valve wiper sealing
19	253 070 R1	"O" RING, poppet sealing (7/8 x 1-1/8 x 1/8")	350 667 R1		RING, reverse clutch shaft hydraulic manifold sealing (2)
	604 741 C92	PACKAGE, transmission gasket field service (Consists of the following GASKETS and RINGS -	654 746 C1		RING, transmission case upper sealing
	142 756	GASKET, annular poppet plug (2)	355 966 R1		RING, transmission selector valve manifold sealing (10)
	269 910 R1	GASKET, bevel pinion shaft front bearing retainer plug	379 181 R1		RING, range selector valve sealing (5)
	321 992 R1	GASKET, valve cover (5)	574 069 R1		RING, tachometer drive plug sealing
	324 019 R1	GASKET, range selector valve	574 069 R1		RING, range selector valve sealing ()
	324 021 R1	GASKET, valve plate	345 836 R1		SHIM, reverse clutch shaft (Medium) (3)
	325 021 R2	GASKET, transmission cover	345 837 R1		SHIM, reverse clutch shaft (Heavy) (3)
	325 022 R1	GASKET, high-low shifter housing	615 851 C1		SEAL, range selector valve shaft
	325 040 R2	GASKET, main regulator valve	615 850 C1		WASHER, range selector valve
	325 041 R1	GASKET, hydraulic valve spacer	369 908 R1		RING, (4)
	616 302 C1	GASKET, hydraulic valve spacer			
	285 723 R1	RING, spline shaft bearing cap sealing			
	285 724 R1	RING, forward clutch shaft hydraulic manifold large sealing			
	285 724 R1	RING, reverse clutch shaft hydraulic manifold sealing			
	290 987 R1	RING, rotor sealing			
	654 748 C1	RING, transmission case lower sealing			
	610 411 C1	RING, forward clutch shaft oil seal housing sealing			
	307 915 R1	RING, tachometer cable adapter sealing			

DRIVE TRAIN

REF. NO.	PART NUMBER	DESCRIPTION	REF. NO.	PART NUMBER	DESCRIPTION
----------	-------------	-------------	----------	-------------	-------------

**TRANSMISSION
MAIN REGULATOR VALVE
(For Power Shift)
(Rockford)**



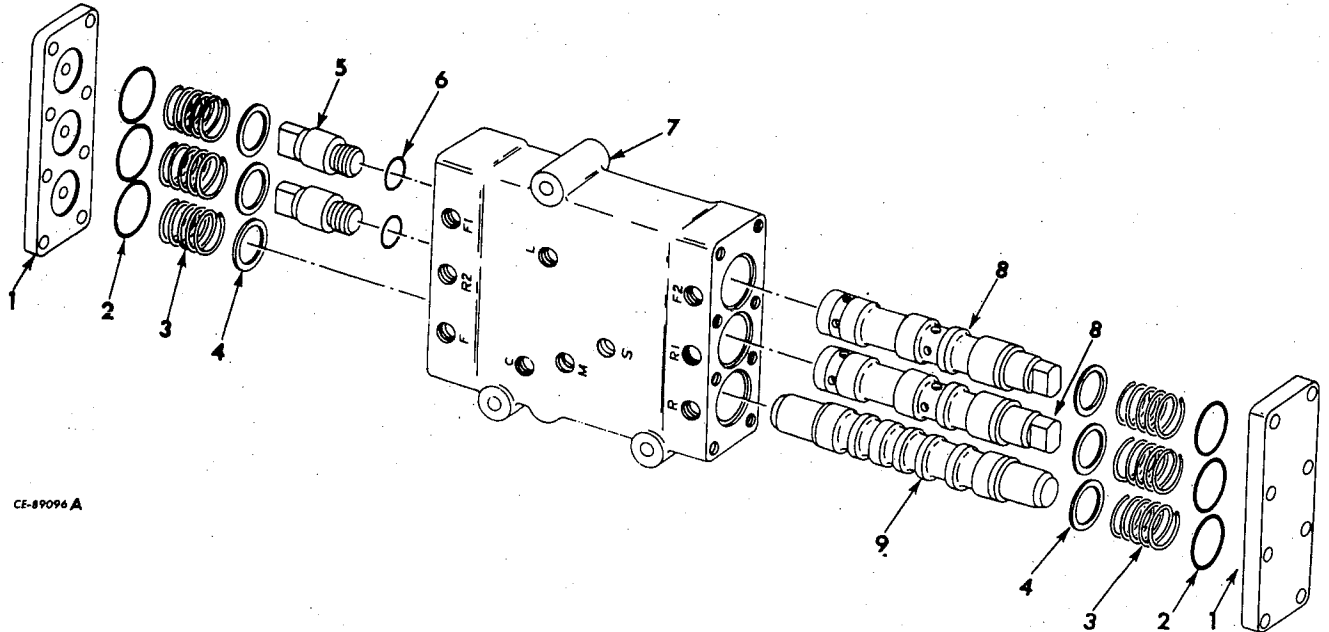
1PA-66252J

610 702 C92	VALVE ASSY., main regulator	10	VALVE, main spool (Not furnished separately)
24 846 R1	SCREW, 3/8 x 4-1/2" hex-hd cap (10)		
115 093	WASHER, lock (11)	11	20 139 R1 PIN, main spool valve
25 684 R1	SCREW, 3/8 x 5-1/2" hex-hd cap	12	346 509 R1 BALL, main spool valve
279 087 R1	SPACER, hose clamp	13	347 243 R1 SPRING, main spool valve
103 341	WASHER, flat		
	(Consists of the following parts -		
1	321 991 R1 COVER, valve (5)	14	325 040 R2 GASKET, main regulator valve body (Not furnished as part of main regulator valve)
	217 233 SCREW, hex-hd cap w/lock		
	WASHER (20)		
2	321 992 R1 GASKET, valve cover (5)	15	186 451 H2 VALVE, by-pass
3	149 423 H2 PLUG	16	324 299 R1 SPRING, main pressure regulator (Inner)
4	321 994 R1 VALVE, lubricating pressure regulator	17	606 512 C1 SPRING, main regulator
5	BODY, main regulator valve (Not furnished separately)	18	606 506 C1 WASHER, spring (x)
6	336 103 R1 SPRING, lubricating valve	19	321 997 R1 WASHER, spring (x)
7	610 703 C1 SPRING, by-pass valve		444 613 PLUG, sq-hd pipe (3)
8	321 997 R1 WASHER		
9	338 651 R94 VALVE ASSEMBLY, main spool		(x) - As Required.

DRIVE TRAIN

REF. NO.	PART NUMBER	DESCRIPTION	REF. NO.	PART NUMBER	DESCRIPTION
----------	-------------	-------------	----------	-------------	-------------

**TRANSMISSION
RANGE SELECTOR VALVE
(For Power Shift)**



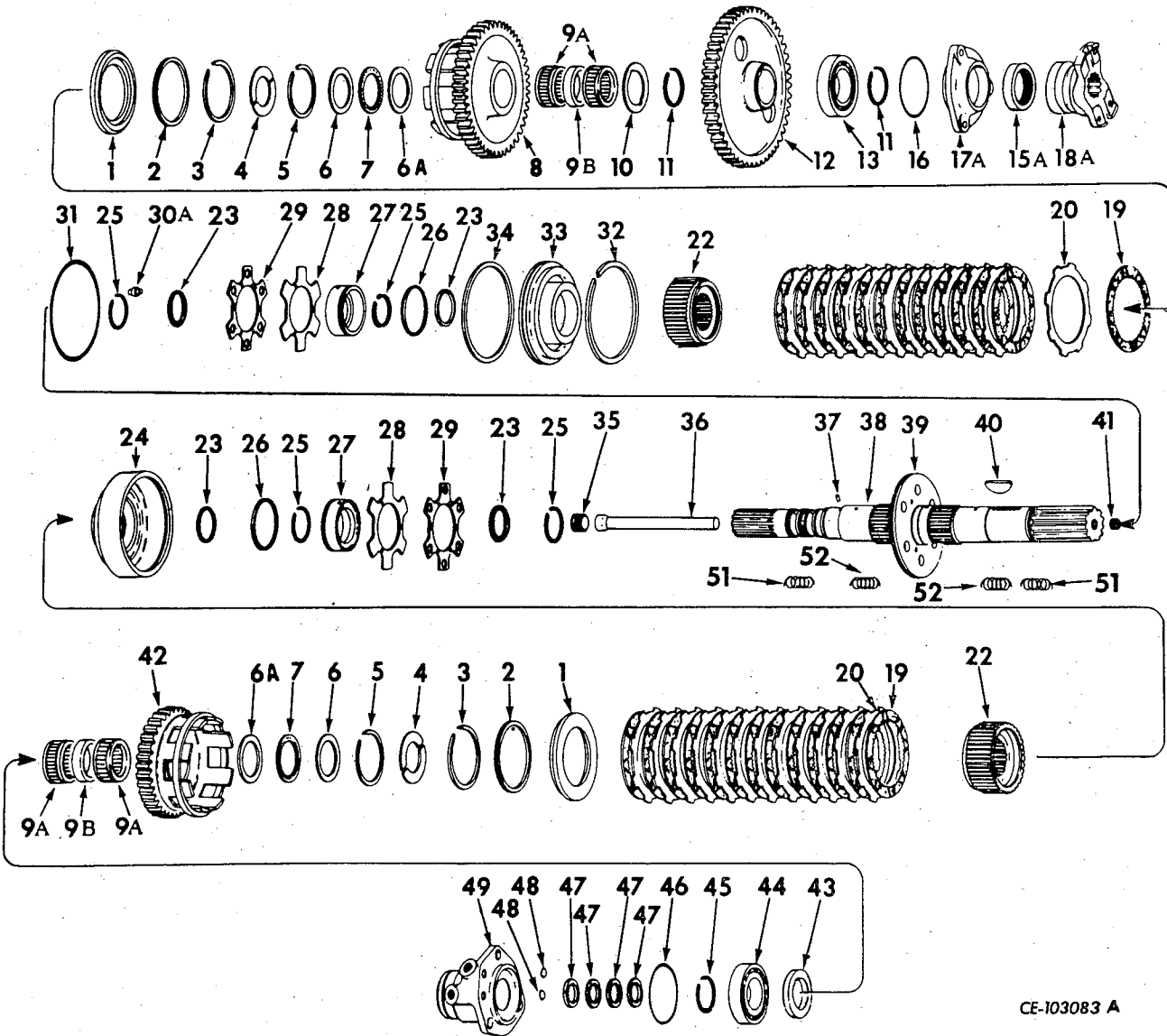
CE-89096 A

700 021 C93	VALVE ASSY., range selector	3	617 240 C2	SPRING, spool centering (6)
277 232 R1	SCREW, hex-hd cap (3)	4	617 241 C1	SPACER, spring (6)
115 093	WASHER, lock (3)	5	617 239 C1	PLUG, spool (2)
379 181 R1	"O" RING, 5/8 x 3/4 x 1/16" (Valve mounting) (5)	6	369 751 R1	"O" RING, .351 x .495 x .072" (2)
574 069 R1	"O" RING, 3/4 x 7/8 x 1/16" (Valve mounting)	7		BODY, valve (Not furnished separately)
444 614	PLUG, 1/8"NPTF hex-soc-pipe (In "S" port in valve top)	8		SPOOL, forward and reverse (Not furnished separately) (2)
444 652	PLUG, 1/8"NPTF sq-soc-pipe (In F, C and R ports in valve top) (3)	9		SPOOL, signal (Not furnished separately)
or				
444 614	PLUG, 1/8"NPTF hex-hd-pipe (In F, C and R ports in valve top) (3)			
	(Consists of the following parts -			
1	617 242 C1 COVER, body end (2)			
	25 492 R1 SCREW, hex-hd cap (16)			
	116 120 WASHER, lock (16)			
2	370 943 R1 "O" RING, 1-1/8 x 1-1/4 x 1/16" (6)			

DRIVE TRAIN

REF. NO.	PART NUMBER	DESCRIPTION	REF. NO.	PART NUMBER	DESCRIPTION
----------	-------------	-------------	----------	-------------	-------------

**TRANSMISSION
FORWARD CLUTCH PACKS
(For Power Shift)**



CE-103083 A

	625 800 C94	PACK ASSY., final clutch (Composed of all parts except as noted -		4	324 231 R1	RETAINER, clutch hub (4)	
	1	627 365 C1	PLATE, clutch backing (2)		5	324 232 R1	RING, clutch hub snap (Internal) (2)
	2	627 367 C1	RING, snap (Internal) (2)		6	584 269 R1	SPACER, washer (2)
	3	627 366 C1	RING, snap (External) (2)		6A	610 769 C1	WASHER (2)
					7	584 268 R91	BEARING, thrust washer (2)
					8	610 767 C92	GEAR, clutch

DRIVE TRAIN

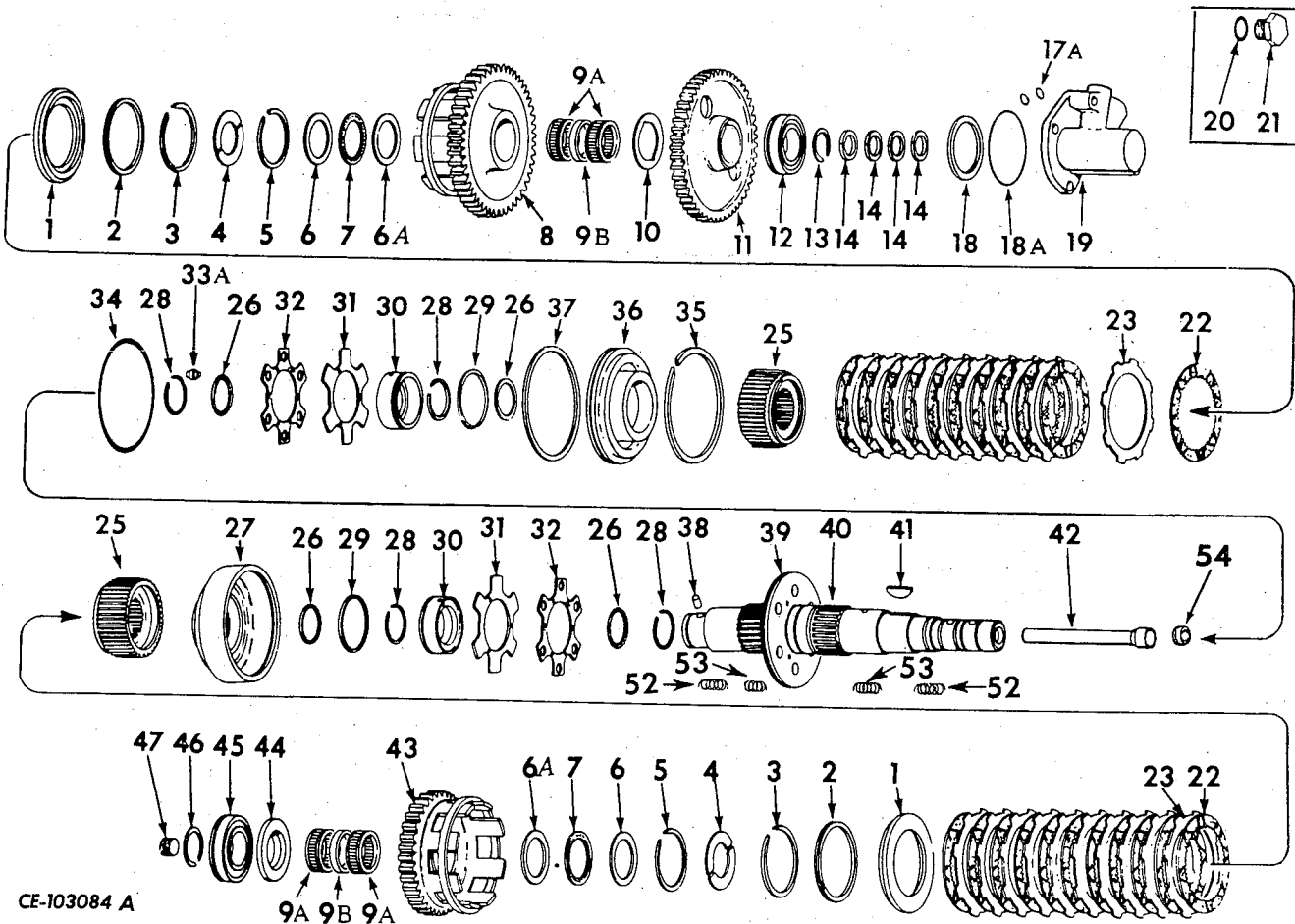
REF. NO.	PART NUMBER	DESCRIPTION	REF. NO.	PART NUMBER	DESCRIPTION
TRANSMISSION					
FORWARD CLUTCH PACK - Continued					
(For Power Shift)					
			33	627 668 C2	PISTON, clutch
9A	610 772 C91	BEARING, roller (4)	34	324 226 R1	RING, seal
9B	610 770 C1	SPACER, bearing (2)	35	347 554 R1	PLUG, pipe
10	325 012 R1	WASHER, second speed gear thrust (+)	36		TUBE (Not furnished separately)
11	358 236 R1	RING, forward clutch shaft front bearing snap (+) (2)	37	324 238 R1	PIN, dowel
12	325 013 R1	GEAR, reverse drive (+)	38	627 138 C92	SHAFT ASSY., clutch (Composed of -
				1 PIN	324 238 R1
				2 PIN	17 164 R1
				1 PLATE	627 092 C1
				1 PLUG	734 021 C1
				1 PLUG	347 554 R1
				2 RING	324 222 R1
				§ 1 TUBE)
				PIN, roll (2)	
13	ST 278	BEARING, forward clutch shaft front (+)			
15A	619 586 C91	OIL SEAL, clutch shaft (+)			
16	610 411 C1	"O" RING, forward clutch shaft housing (3-1/2 x 3-3/4 x 1/8") (+)		17 164 R1	
17A	609 513 C1	HOUSING, oil seal (+)	39	627 092 C2	PLATE, separator
	610 081 C1	SCREW, hex-hd cap (3)	40	325 014 R1	KEY, reverse drive gear (+)
	115 314	WASHER, lock (3)			
18A	654 898 C1	YOKE, transmission drive (*) (+)	41	734 021 C1	PLUG, pipe
19	702 959 C1	PLATE, internal splined (26)	42	610 768 C93	GEAR, clutch
20	324 241 R1	PLATE, external splined (24)	43	611 253 C1	WASHER, first speed forward gear thrust (+)
22	627 363 C91	HUB ASSY., clutch (2) (Composed of -	44	321 966 R92	BEARING, forward clutch shaft rear (+)
		1 HUB			
		1 PLATE			
		1 RING			
		1 RING			
22	627 364 C1	HUB w/SPRING, and two RETAINER, clutch (2)	45	359 894 R1	RING, forward clutch shaft rear bearing snap (+)
23	627 969 C1	RING, seal (Piston hook type) (4)	46	285 724 R1	"O" RING, forward clutch shaft hydraulic manifold large (3-3/8 x 3-5/8 x 1/8") (+)
24	627 669 C2	HOUSING, clutch piston	47	325 059 R2	RING, forward clutch shaft rear sealing (+) (4)
25	324 222 R1	RING, snap (External) (4)	48	369 908 R1	"O" RING, forward clutch shaft hydraulic manifold (13/16 x 1 x 3/32") (+) (2)
26	324 223 R1	"O" RING (2)			
27	627 667 C2	PISTON, accelerating (2)	49	325 060 R2	MANIFOLD, forward clutch shaft hydraulic (+)
28	610 751 C1	VALVE, disc (2)		444 698	PLUG, hex-soc-hd pipe (2)
29	625 205 C1	DISC, reinforcing (2)		70 427 R1	SCREW, hex-hd cap (3)
				115 314	WASHER, lock (3)
30A	627 666 C2	PIN, guide (3)	51	625 821 C1	SPRING, compression (inner) (6)
31	324 227 R1	"O" RING (Separator plate)	52	625 206 C1	SPRING, compression (outer) (6)
32	347 297 R1	RING, snap (Internal)			

(*) - Not part of Transmission Assy.
 (+) - Not part of Pack Assy.
 § - Not furnished separately.

DRIVE TRAIN

REF. NO.	PART NUMBER	DESCRIPTION	REF. NO.	PART NUMBER	DESCRIPTION
----------	-------------	-------------	----------	-------------	-------------

TRANSMISSION REVERSE CLUTCH PACK (For Power Shift)



A	625 801 C92	PACK ASSY., final clutch (Order PACK ASSY., 658 062 C91) 1460 and below	6A	610 769 C1	WASHER, thrust (2)
B	658 062 C91	PACK ASSY., final clutch 1461 and up (Composed of all parts except as noted -	7	584 268 R91	BEARING, thrust washer (2)
1	627 370 C1	PLATE, backing (Part of HUB ASSY., 627 369 C91) (2)	8	610 767 C92	GEAR, clutch
1	627 365 C1	PLATE, backing (Part of HUB ASSY., 627 363 C91) (2)	9A	610 772 C91	BEARING, roller (4)
2	627 367 C1	RING, snap (Internal) (2)	9B	610 770 C1	SPACER, bearing (2)
3	627 366 C1	RING, snap (External) (2)	10	325 012 R1	WASHER, second speed gear thrust (*)
4	324 231 R1	RETAINER, clutch hub (4)	11	325 017 R1	GEAR, reverse driven (*)
5	324 232 R1	RING, snap (Internal) (2)	12	321 966 R92	BEARING, reverse clutch shaft front (*)
6	584 269 R1	SPACER, washer (2)	13	359 894 R1	RING, reverse clutch shaft front bearing snap (*)
			14	325 059 R2	RING, sealing (*) (4)

(*) - Not part of Pack Assembly.

DRIVE TRAIN

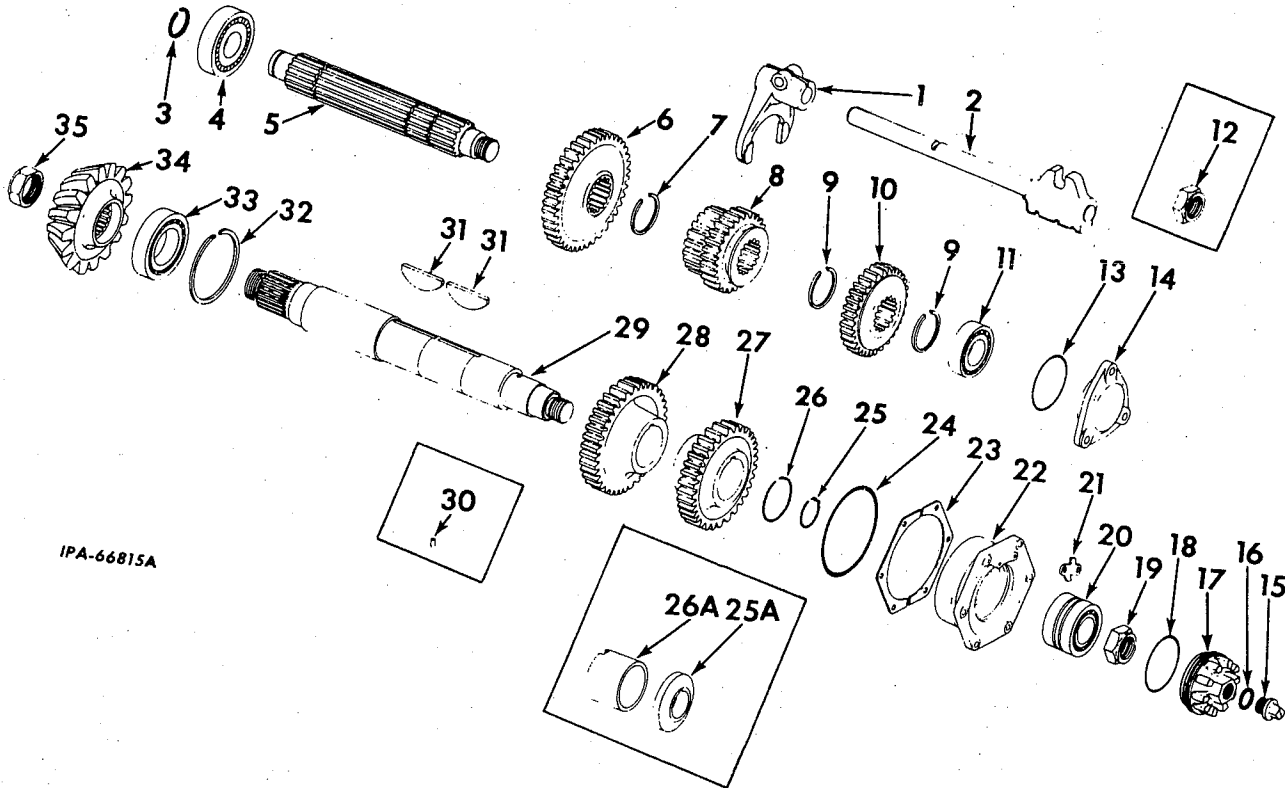
REF. NO.	PART NUMBER	DESCRIPTION	REF. NO.	PART NUMBER	DESCRIPTION
TRANSMISSION					
REVERSE CLUTCH PACK - Continued					
(For Power Shift)					
17A	369 908 R1	RING, reverse clutch shaft hydraulic manifold seal (11/16 x 7/8 x 3/32") (*) (2)	32	625 205 C1	DISC, reinforcing (2)
18	345 836 R1	SHIM, reverse clutch shaft (.010") (x) (*)	33A	627 666 C2	PIN, guide (3)
18	345 837 R1	SHIM, reverse clutch shaft (.030") (x) (*)	34	324 227 R1	"O" RING
18A	285 724 R1	RING, reverse clutch shaft hydraulic manifold sealing (3-3/8 x 3-5/8 x 1/8") (*)	35	347 297 R1	RING, snap (Internal)
19	604 666 C3	MANIFOLD, reverse clutch shaft hydraulic (*)	36	627 668 C2	PISTON, clutch
	444 698	PLUG, hex-soc-pipe (2)	37	324 226 R1	RING, seal
	70 427 R1	SCREW, 7/16 x 1-1/4" hex-hd cap (2)	38	324 238 R1	PIN, dowel
	24 852 R1	SCREW, 7/16 x 2-1/4" hex-hd cap	39	627 092 C2	PLATE, separator
	855 319 R1	SCREW, 7/16 x 3-1/2" hex-hd cap	40	627 139 C91	SHAFT ASSY., clutch (Composed of -
	115 314	WASHER, lock (4)			2 PIN 17 164 R1
					1 PIN 324 238 R1
					1 PLATE 627 092 C1
					1 PLUG 347 554 R1
					1 PLUG 194 363 H2
					2 RING 324 222 R1
					§ 1 TUBE)
			17 164 R1		PIN, roll (2)
20	307 915 R1	RING, tachometer cable adapter (Used with MANIFOLD, 604 666 C1) (*)	41	118 002	KEY, reserve drive gear (*)
21	604 667 C1	PLUG, reverse clutch shaft hydraulic manifold (Used w/MANIFOLD, 604 666 C1) (*)	42		TUBE (Not furnished separately)
22	702 959 C1	PLATE, internal splined (22 for A) (26 for B)	43	610 768 C93	GEAR, clutch
23	324 241 R1	PLATE, external splined (20 for A) (24 for B)	44	611 254 C1	WASHER, first speed reverse gear thrust (*)
25	627 369 C91	HUB ASSY., clutch (2 for A) (Composed of -	45	272 477 R92	BEARING, reverse clutch shaft rear (*)
		1 HUB 627 364 C1	46	359 141 R1	RING, reverse clutch shaft rear bearing snap (*)
		1 PLATE 627 370 C1	47	194 363 R2	PLUG, pipe
		1 RING 627 366 C1	52	625 821 C1	SPRING, compression (Inner) (6)
		1 RING 627 367 C1)	53	625 206 C1	SPRING, compression (Outer) (6)
25	627 363 C91	HUB ASSY., clutch (2 for B) (Composed of -	54	347 554 R1	PLUG, pipe
		1 HUB 627 364 C1			
		1 PLATE 627 365 C1			
		1 RING 627 366 C1			
		1 RING 627 367 C1)			
25	627 364 C1	HUB w/SPRING and two RETAINER, clutch (2)			
26	627 969 C1	RING, seal (Piston hook type) (4)			
27	627 669 C2	HOUSING, clutch piston			
28	324 222 R1	RING, snap (External) (4)			
29	324 223 R2	"O" RING (Piston hook type) (2)			
30	627 667 C2	PISTON, accelerating (2)			
31	610 751 C1	VALVE, disc (2)			

(x) - As Required.
 (*) - Not part of Pack Assembly.
 § - Not furnished separately.

DRIVE TRAIN

REF. NO.	PART NUMBER	DESCRIPTION	REF. NO.	PART NUMBER	DESCRIPTION
----------	-------------	-------------	----------	-------------	-------------

TRANSMISSION
BEVEL PINION SHAFT, SPLINE SHAFT
 (For Power Shift)



IPA-66815A

1	325 025 R2 454 522 R1 24 865 R1	FORK, high-low shifter NUT, lock SCREW, hex-hd cap	8	654 429 C1	GEAR, high and low speed driving (21-25T) (+)
2	325 023 R11	SHAFT, high-low shifter (+)	8	658 051 C1	GEAR, high and low speed driving (20-25T) (%)
2	658 057 C2	SHAFT, high-low shifter (%)	9	324 051 R1	RING, second speed driven gear snap (2)
3	359 894 R1	RETAINER, spline shaft rear bearing	10	325 058 R1	GEAR, second speed driven (31T) (Order GEAR, 658 043 C1, SPACER, 659 936 C1 and DRAWING, CZG-1584) (+)
4	272 479 R92	BEARING, spline shaft rear	10	658 043 C1	GEAR, second speed driven (31T) (%)
5	325 081 R1	SHAFT, spline (Order SHAFT, 659 938 C1, BEARING, 327 429 R92 and DRAWING, CZG-1584) (+)	11	321 968 R92	BEARING, spline shaft front (+)
5	659 938 C1	SHAFT, spline (%)	11	327 429 R92	BEARING, spline shaft front (%)
6	325 056 R1	GEAR, first speed driven (42T) (Order GEAR, 658 044 C1, SPACER, 659 935 C1 and DRAWING, CZG- 1584) (+)			
6	658 044 C1	GEAR, first speed driven (42T) (%)			(+) - Part of TRANSMISSION, 628 255 C91. (%) - Part of TRANSMISSION, 658 065 C91.
7	324 051 R1	RETAINER, first speed driven gear			

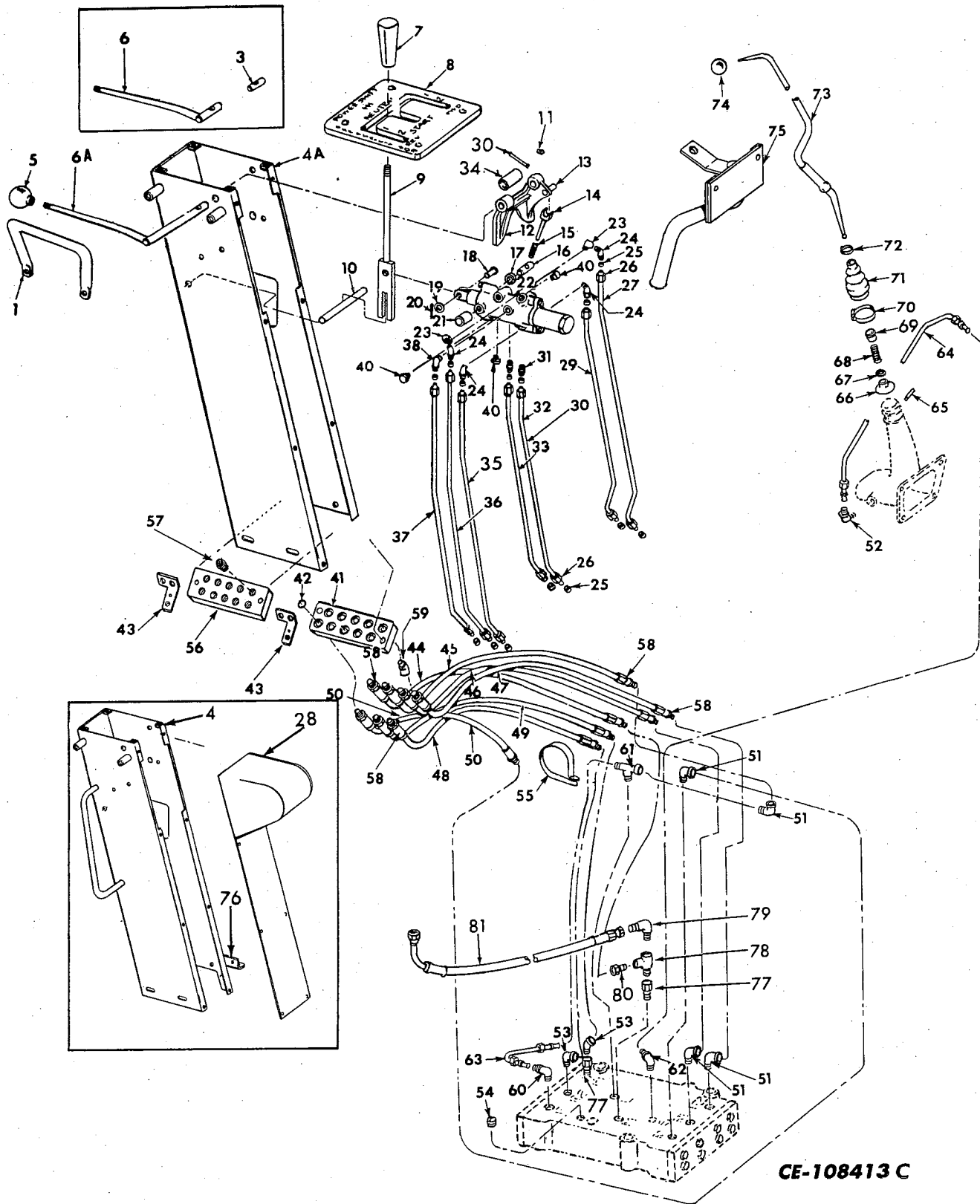
DRIVE TRAIN

REF. NO.	PART NUMBER	DESCRIPTION	REF. NO.	PART NUMBER	DESCRIPTION
TRANSMISSION					
BEVEL PINION SHAFT, SPLINE SHAFT - Continued					
(For Power Shift) - Continued					
12	19 499 R1	NUT, spline shaft (+)	29	658 055 C1	SHAFT, bevel pinion (26T) (%)
13	285 723 R1	"O" RING, spline shaft bearing cap (3-1/8 x 3-3/8 x 1/8")	30	141 127	PIN, dowel (+)
14	325 008 R1 70 427 R1 115 314	CAP, spline shaft bearing SCREW, hex-hd cap (3) WASHER, lock (3)	31	12 484 R1	KEY, high and low range driven gear (2)
15	269 909 R2	PLUG, bevel pinion shaft front bearing retainer	32	324 049 R1	RING, rear bearing bevel pinion snap
16	269 910 R1	GASKET, bevel pinion shaft front bearing retainer plug	33	705 320 C91	BEARING, pinion rear
17	325 005 R1	RETAINER, bevel pinion shaft front bearing	34	325 055 R1	PINION, bevel (*)
18	285 723 R1	"O" RING, bevel pinion shaft front bearing retainer (3-1/8 x 3-3/8 x 1/8")	35	19 829 R1	NUT, bevel pinion retainer
19	19 499 R1	NUT, bevel pinion shaft front		659 935 C1	SPACER
20	321 969 R91	BEARING, bevel pinion shaft front		659 936 C1	SPACER
21	325 007 R1 24 839 R1 115 093	LOCK, bevel pinion shaft front bearing retainer SCREW, hex-hd cap (2) WASHER, lock (2)			
22	334 685 R2 24 850 R1 115 314	CAGE, pinion shaft bearing SCREW, hex-hd cap (6) WASHER, lock (6)			
23	334 686 R1	SHIM, bevel pinion shaft (.015") (x)			
23	334 687 R1	SHIM, bevel pinion shaft (.007") (x)			
23	334 688 R1	SHIM, bevel pinion shaft (.004") (x)			
24	610 415 C1	"O" RING, bevel pinion shaft bearing cage (4-7/8 x 5-3/8 x 1/4")			
25	658 054 C1	RING, bevel pinion shaft front bearing retainer (%)			
25A	325 004 R1	SPACER, bevel pinion shaft front (+)			
26	658 053 C1	RING, high range driven gear retainer (%)			
26A	325 003 R1	SPACER, bevel pinion shaft rear (+)			
27	658 047 C1	GEAR, high range driven (32T)			
28	654 427 C1	GEAR, low range driven (36T) (+)			
28	658 045 C1	GEAR, low range driven (37T) (%)			
29	325 054 R1	SHAFT, bevel pinion (18T) (Order SHAFT, 658 055 C1, RING, 658 053 C1 and RING, 658 054 C1) (+)			

(x) - As Required.
 (+) - Part of TRANSMISSION, 628 255 C91.
 (%) - Part of TRANSMISSION, 658 065 C91.
 (*) - Listed and illustrated with "Steering Planetary Drive."

DRIVE TRAIN

TRANSMISSION CONTROLS (For Power Shift)



DRIVE TRAIN

REF. NO.	PART NUMBER	DESCRIPTION	REF. NO.	PART NUMBER	DESCRIPTION
TRANSMISSION CONTROLS - Continued (For Power Shift)			18	27 128 H	PIN, rod end
			19	52 917 R1	WASHER, pilot control valve lever
1	334 664 R1 115 314 24 849 R1	GUARD, pilot control valve lever WASHER, lock (2) SCREW, hex-hd cap (2)	20	103 384	PIN, cotter
3	620 048 C1	SHAFT, safety lock 3518 and below	21	617 113 C1	SPACER, pilot control valve (4)
4	624 693 C2 70 427 R1 115 314 24 854 R1	HOUSING, control tower 4229 and below SCREW, hex-hd cap (2) WASHER, lock (4) SCREW, 7/16 x 2-3/4" (2)	22		VALVE ASSY., pilot control (For components, see list of parts under details of "Pilot Control Valve")
				24 841 R1 115 093	SCREW, hex-hd cap (4) WASHER, lock (4)
4A	733 050 C1 24 854 R1 70 427 R1 115 314	HOUSING, control tower 4230 and up BOLT (2) BOLT (2) WASHER, lock (4)	23	9 409 931	ELBOW, street (Pilot control valve) (R1 and F1 positions) (2)
			24	615 307 C1	ELBOW, pilot control valve (R1, F1, F2 and R2 positions) (4)
5	307 839 R1	KNOB, safety lock lever	25	915 500 R1	SLEEVE, tube (14)
6	622 317 C2	LEVER, safety lock 3518 and below	26	915 499 R1	NUT, tube (14)
6A	713 209 C1	LEVER, safety lock 3519 and up	27	620 373 C91	TUBE w/two NUTS, 915 499 R1 and two SLEEVES, 915 500 R1, ("R1" position on pivot valve to "R1" position on junction block)
7	347 768 R1	HANDLE, pilot control valve lever	28	650 527 C1	COVER, control tower housing 4229 and below
8	650 518 C1 25 957 R1 138 544	GATE, gear shifter lever SCREW, pan-hd (4) WASHER, int-tooth lock (4)		24 889 R1 115 093 25 534 R1	SCREW, hex-hd cap (3) WASHER, lock (3) WASHER, flat (3)
9	700 032 C1	LEVER, pilot control valve	29	620 371 C91	TUBE w/two NUTS, 915 499 R1 and two SLEEVES, 915 500 R1 ("F2" position on pilot valve to "F2" position on junction block)
10	617 112 C1 24 839 R1 115 093	PIN, pilot control valve lever pilot SCREW, hex-hd cap WASHER, lock	30	364 436 R1	PIN, safety lock lever spiral spring 3519 and up
11	617 256 C1	SCREW, safety lock lever set (2) 3518 and below	31	606 885 C1	CONNECTOR, pilot control valve (M and L positions) (2)
12	709 106 C91	CONTACT w/PIN 616 270 C1, safety lock and switch (Order the following parts - 3518 and below 1 CONTACT 709 162 C92 1 DRAWING CZG-2648 1 INSULATOR 713 275 C1 1 LEVER 713 209 C1 1 PIN 364 436 R1)	32	620 375 C91	TUBE w/two NUTS, 915 499 R1 and two SLEEVES, 915 500 R1 ("L" position on pilot control valve to "L" position on junction block)
			33	620 375 C91	TUBE w/two NUTS, 915 499 R1 and two SLEEVES, 915 500 R1 ("M" position on pilot control valve to "M" position on junction block)
12	709 106 C92	CONTACT w/PIN 616 Z to C1, safety lock and switch 3519 and up	34	713 275 C1	INSULATOR, safety switch 3519 and up
13	616 270 C1	PIN, safety lock cam bracket	35	620 379 C91	TUBE w/two NUTS, 915 499 R1 and two SLEEVES, 915 500 R1 ("R2" position on pilot control valve to "R2" position on junction block)
14	327 912 R3	GUIDE, safety lock spring			
15	331 953 R2	SPRING, safety lock	36	620 381 C91	TUBE w/two NUTS, 915 499 R1 and two SLEEVES, 915 500 R1 ("F1" position on pilot control valve to "F1" position on junction block)
16	327 910 R2	SHAFT, safety lock pivot			
17	617 068 C1	BUSHING, safety lock pivot			

DRIVE TRAIN

REF. NO.	PART NUMBER	DESCRIPTION	REF. NO.	PART NUMBER	DESCRIPTION
TRANSMISSION CONTROLS - Continued (For Power Shift)			52	606 845 C1	ELBOW, hi-lo tube
37	620 377 C91	TUBE w/two NUTS, 915 499 R1 and two SLEEVES, 915 500 R1 ("N" position on pilot control valve to "N" position on junction block)	53	307 989 R91	ELBOW, 90° range selector valve (In "R2" port) (Replaces, 620 386 C91)
38	319 615 R1	ELBOW, pilot control valve ("N" position)	53	620 386 C91	ELBOW, 45° range selector valve (In "F1" port) (Order ELBOW, 307 989 R91 and ADAPTER, 443 998)
40	444 613	PLUG, sq-hd pipe (3)	53	307 989 R91	ELBOW, 90° range selector valve (In "F1" port)
41	620 369 C1	MANIFOLD, transmission selector valve	54	127 950	PLUG, range selector valve (In "C" port)
	179 841	SCREW, hex-hd cap (2)	55	308 872 R1	CLAMP, hose (Regulator valve spacer mounting bolt)
	103 321	WASHER, lock (2)	56	620 368 C1	MANIFOLD, tower
42	355 966 R1	"O" RING, 7/16 x 5/8 x 3/32" (10)	57	606 885 C1	CONNECTOR, tower manifold (7)
43	620 387 C1	BRACKET, tower manifold (2)	58	317 767 R91	FITTING, male pipe (Used w/HOSE, 619 682 C91) (14)
	25 222 R1	SCREW, 1/4" hex-hd cap (2)	59		NOT USED
	24 841 R1	SCREW, 3/8" hex-hd cap (2)	60	319 615 R1	ELBOW, range selector valve (In "F" port)
	24 854 R1	SCREW, 7/16" hex-hd cap (2)	61	610 000 C1	TEE, range selector valve
	115 109	WASHER, 1/4" lock (2)	62	606 930 C1	ELBOW, hi-lo tube (In "S" port)
	115 314	WASHER, 7/16" lock (2)	63	628 212 C91	TUBE w/two NUT, 915 499 R1 and two SLEEVE, 915 500 R1, range selector ("L" to "F" ports)
	115 093	WASHER, 3/8" lock (2)		915 499 R1	NUT, tube (2)
44	656 284 C1	HOSE w/two FITTINGS, "M" position on manifold to "M" position on transmission range selector valve (Hose 3/16" ID x 30" long including fittings)		915 500 R1	SLEEVE, tube (2)
45	656 284 C1	HOSE w/two FITTINGS, "L" position on manifold to "L" position on transmission range selector valve (Hose 3/16" ID x 30" long including fittings)	64	628 211 C91	TUBE w/two NUT, 265 205 R1 and two SLEEVE, 265 204 R1, range selector "S" to hi-lo housing
46	656 284 C1	HOSE w/two FITTINGS ("R1" position on manifold to "R1" position on transmission range selector valve (HOSE, 3/16" ID x 30" long including FITTINGS)		265 205 R1	NUT, tube (2)
47	656 284 C1	HOSE w/two FITTINGS ("F2" position on manifold to "F2" position on transmission range selector valve) (HOSE, 3/16" ID x 30" long including FITTINGS)		265 204 R1	SLEEVE, tube (2)
48	656 284 C1	HOSE w/two FITTINGS ("R2" position on manifold to "R2" position on transmission range selector valve) (HOSE, 3/16" ID x 30" long including FITTINGS)	65	306 025 R2	SHAFT, shifter lever 1460 and below
49	656 284 C1	HOSE w/two FITTINGS ("F1" position on manifold to "F1" position on transmission range selector valve) (HOSE, 3/16" ID x 30" long including FITTINGS)	65	23 092 R1	SHAFT, hi-lo shifter lever 1461 and up
50	656 284 C1	HOSE w/two FITTINGS ("R" position on manifold to "R" position on transmission range selector valve) (HOSE, 3/16" ID x 30" long including FITTINGS)	66	325 028 R1	CAP, shifter swivel
51	307 989 R91	ELBOW, 90° range selector valve (In "F2, R1, R and L" ports) (4)	67	256 141 R1	WASHER, swivel cap spring
			68	252 844 R1	SPRING; swivel cap
			69	252 852 R1	STOP, swivel cap spring
				104 076	RIVET, rd-hd
			70	274 088 R91	CLAMP, shifter lever boost lower
			71	325 029 R1	BOOT, high-low shifter lever
			72	252 977 R91	CLAMP, shifter lever boot upper

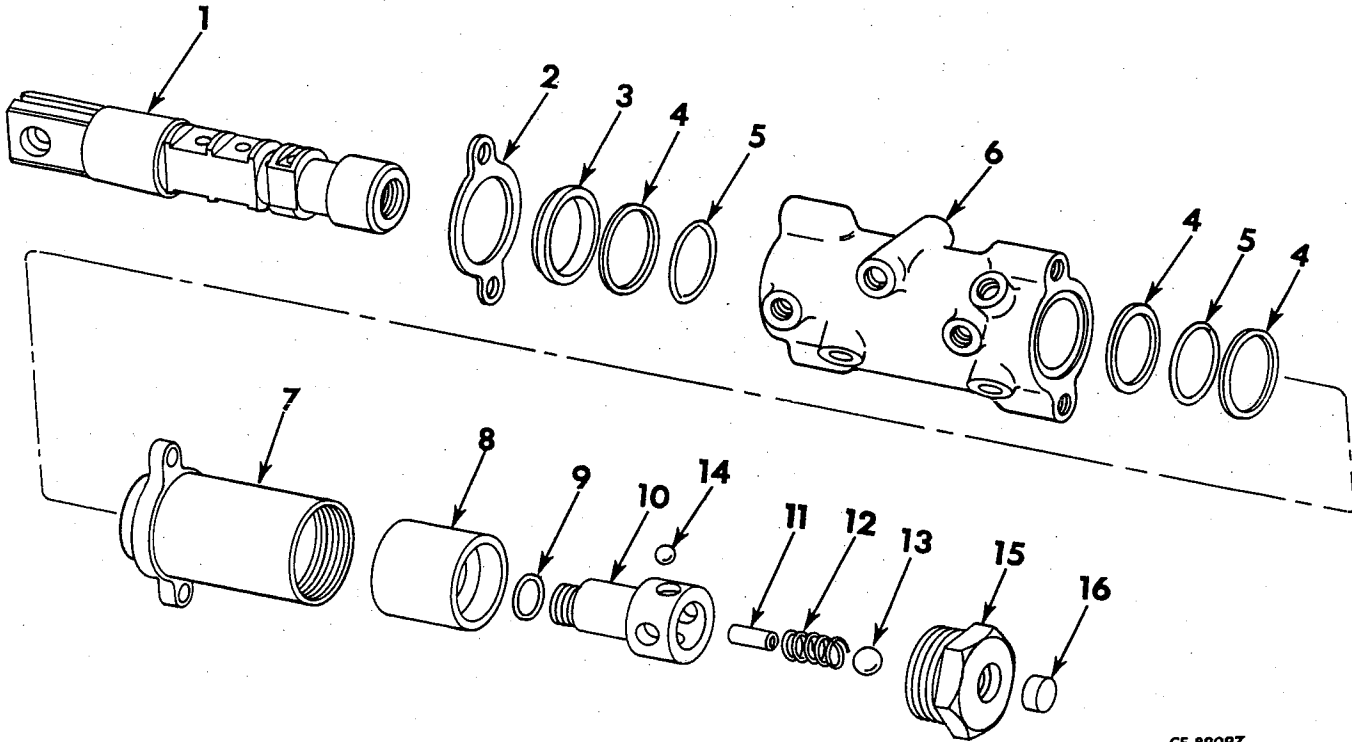
DRIVE TRAIN

REF. NO.	PART NUMBER	DESCRIPTION	REF. NO.	PART NUMBER	DESCRIPTION
TRANSMISSION CONTROLS - Continued (For Power Shift)					
73	325 084 R2	LEVER, high-low shifter 1460 and below			
73	658 061 C1	LEVER, high-low shifter 1461 and up			
74	264 055 R2	BALL, shifter lever			
75	650 507 C1 25 496 R1 103 341 115 093	COVER, switch mounting SCREW, hex-hd cap (2) WASHER, flat (2) WASHER, lock (2)			
76	629 355 C1 140 483 H 25 522 R1 25 544 R1 115 093	BRACKET, control tower support 4229 and below SCREW, hex-hd cap (4) NUT (4) WASHER, flat (6) WASHER, lock (4)			
77	443 998	ADAPTER, pip (In "M and F1" ports of range selector) (2)			
78	9 409 946	TEE, range selector to pilot and steering booster			
79	585 694 R1	ELBOW, 90° range selector to steering booster			
80	294 134 R1	ADAPTER, swivel			
81	710 686 C1	HOSE w/FITTINGS, range selector to booster pressure (HOSE, 3/8" ID x 22" long including FITTINGS)			

DRIVE TRAIN

REF. NO.	PART NUMBER	DESCRIPTION	REF. NO.	PART NUMBER	DESCRIPTION
----------	-------------	-------------	----------	-------------	-------------

PILOT CONTROL VALVE (For Power Shift)



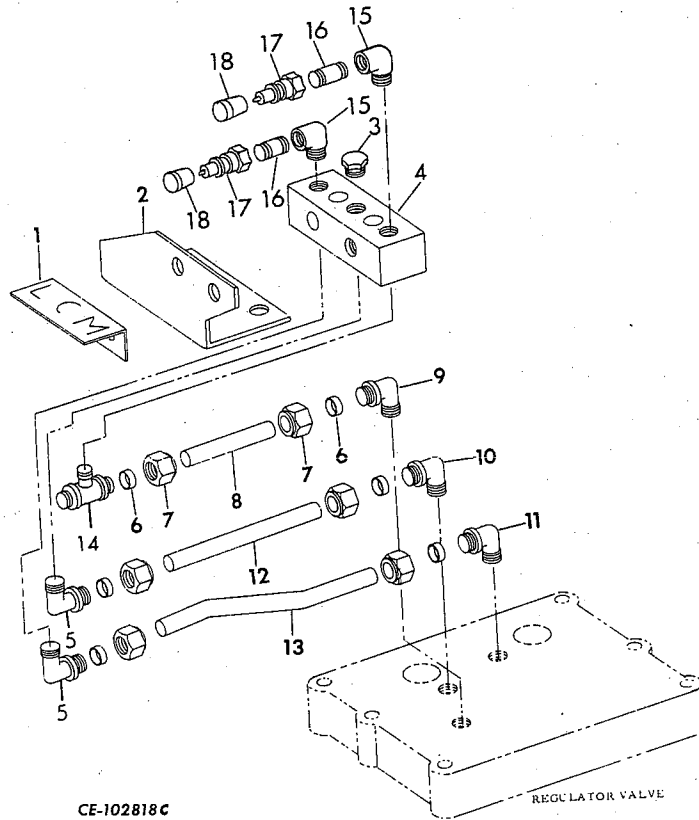
CE-89097

	700 030 C92	VALVE ASSY., pilot control (Consists of the following parts -		8	617 018 C1 SLEEVE, detent
1	617 007 C1	SPOOL, valve	9	369 384 R1	"O" RING, .414 x .558 x .072"
2	617 051 C1	RETAINER, spool seal	10	617 016 C1	EXTENSION, valve spool
	25 653 R1	SCREW, hex-hd cap (2)	11	17 145 R1	PIN, indexing ball stop
3	617 020 C1	RING, spool wiper	12	624 355 C1	SPRING, indexing
4	617 522 C1	RING, back-up (3)	13	17 014 R1	BALL, indexing
5	356 005 R1	"O" RING, 1-1/8 x 1-3/8 x 1/8" (2)	14	17 011 R1	BALL, poppet (4)
6		BODY, valve (Not furnished separately)	15	616 269 C11	CAP w/PLUG, 376 429 R1, housing
7	617 046 C1	HOUSING, detent	16	376 429 R1	PLUG, cap
	616 268 C1	BOLT, detent housing (2)			
	or				
	939 323 R1	SCREW, detent housing (2)			

DRIVE TRAIN

REF. NO.	PART NUMBER	DESCRIPTION	REF. NO.	PART NUMBER	DESCRIPTION
----------	-------------	-------------	----------	-------------	-------------

PRESSURE TEST CONNECTIONS (For Power Shift)



1		PLATE, pressure check (Not furnished separately)	11	319 615 R1	ELBOW, regulator valve pressure test (In "L" port)
2	624 211 C1	BRACKET, test manifold 501 to 545	12	659 071 C91	TUBE w/two NUT, 915 499 R1 and two SLEEVE, 915 500 R1, converter pressure test 546 and up
2	657 763 C1	BRACKET, test manifold 546 and up	12	624 217 C91	TUBE w/two NUT, 915 499 R1 and two SLEEVE, 915 500 R1, converter pressure test 501 to 545
3	444 614	PLUG, header block test port pipe	13	659 070 C91	TUBE w/two NUT, 915 499 R1, and two SLEEVE, 915 500 R1, lube pressure test 546 and up
4	334 445 R1 25 751 R1 116 120 102 634	BLOCK, test connection header SCREW, hex-hd cap (2) WASHER, lock (2) NUT (2)	13	624 998 C91	TUBE w/two NUT, 915 499 R1 and two SLEEVE, 915 500 R1, lube pressure test 501 to 545
5	319 615 R1	ELBOW, header block test port (2)	14	610 713 C1	TEE, header block (In "M" port)
6	915 500 R1	SLEEVE, tube (6)	15	9 409 934	ELBOW, 1/8" - 90° (2)
7	915 499 R1	NUT, tube (6)	16	105 404	NIPPLE (2)
8	659 072 C91	TUBE w/two NUT, 915 499 R1 and two SLEEVE, 915 500 R1, main pressure test 546 and up	17	342 775 R91	COUPLING, quick connective (Order PLUG, 715 370 C1 and COVER, 715 477 C1) (2)
8	624 219 C91	TUBE w/two NUT, 916 499 R1 and two SLEEVE, 915 500 R1, main pressure test 501 to 545			
9	319 615 R1	ELBOW, regulator valve pressure test (In "M" port)			
10	319 615 R1	ELBOW, regulator valve pressure test (In "C" port)			

DRIVE TRAIN

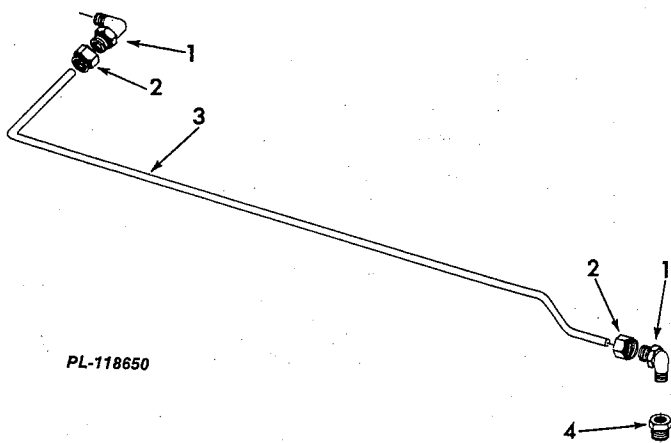
REF. NO.	PART NUMBER	DESCRIPTION
----------	-------------	-------------

PRESSURE TEST CONNECTIONS —Continued
(For Power Shift)

17	715 370 C1	PLUG, quick disconnect (2)
18	715 477 C1	COVER, quick connective plug (Replaces 666 101 C1) (2)
18	738 030 C1	COVER, quick connective plug

REF. NO.	PART NUMBER	DESCRIPTION
----------	-------------	-------------

TORQUE CONVERTER VENT TUBE
(For Power Shift)



1	606 845 C1	ELBOW, torque converter vent tube (2)
2	265 205 R1	NUT, torque converter vent tube elbow (2)
	265 204 R1	SLEEVE, torque converter vent tube (2)
3	628 252 C91	TUBE w/two NUT, 265 205 R1 and two SLEEVE, 265 204 R1
4	144 047	REDUCER, 1/4 x 3/4" torque converter vent tube (In converter)

- Serial Number Not Available

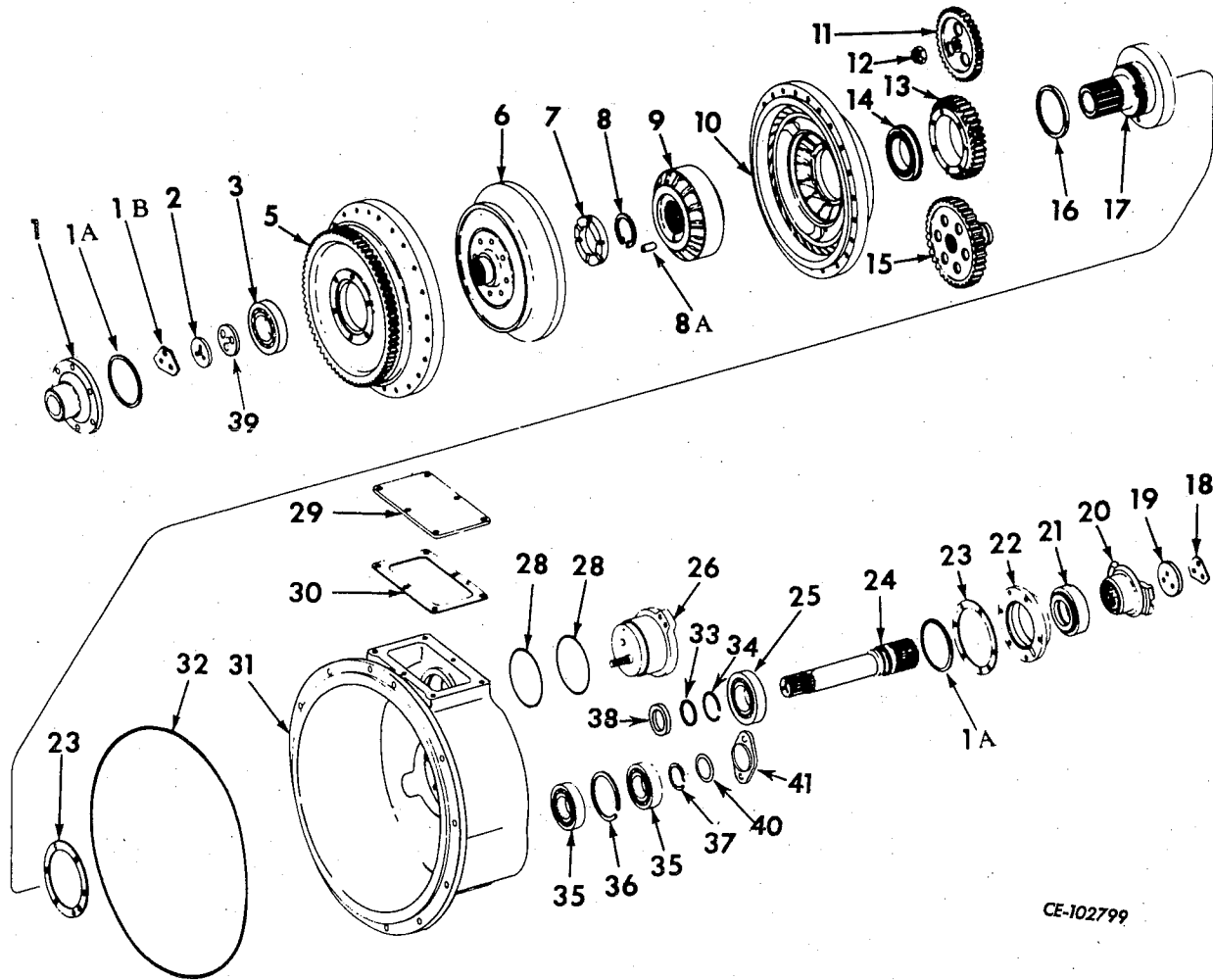
DRIVE TRAIN

MEMORANDA

DRIVE TRAIN

REF. NO.	PART NUMBER	DESCRIPTION	REF. NO.	PART NUMBER	DESCRIPTION
----------	-------------	-------------	----------	-------------	-------------

TORQUE CONVERTER (For Power Shift)



CE-102799

	658 100 C92	CONVERTER ASSY., torque		2	324 088 R1	WASHER, flange retainer
	70 427 R1	SCREW, hex-hd cap (12)		3	ST-296	BEARING, turbine hub
	115 314	WASHER, lock (12)		5	627 868 C1	HOUSING, converter drive
		(Consists of -		6	627 869 C1	TURBINE
1	627 870 C3	HUB, input drive		7	324 085 R2	SPACER, converter
	179 839	SCREW, hex-hd cap (6)		8	641 207 R1	RING, snap
	103 321	WASHER, lock (6)		8A	17 132 R1	PIN, spring
1A	199 348 H2	SHIM, impeller hub or shaft bearing retainer (.005") (x)		9	327 129 R92	STATOR w/PIN, 17 132 R1 and RING, 641 207 R1
1A	199 351 H2	SHIM, impeller hub or shaft bearing retainer (.010") (x)		10	625 857 C1	IMPELLER, converter
1A	199 352 H2	SHIM, impeller hub or shaft bearing retainer (.020") (x)			24 494 R1	WASHER, flat (7)
1A	627 872 C1	SHIM, impeller hub or shaft bearing retainer (.050") (x)			27 261 R1	SCREW, 7/16" hex-hd cap (7)
1B	610 256 C1	PLATE, output flange locking			9 409 225	SCREW, 5/16" hex-hd cap (24)
	454 869	SCREW, hex-hd cap (3)				

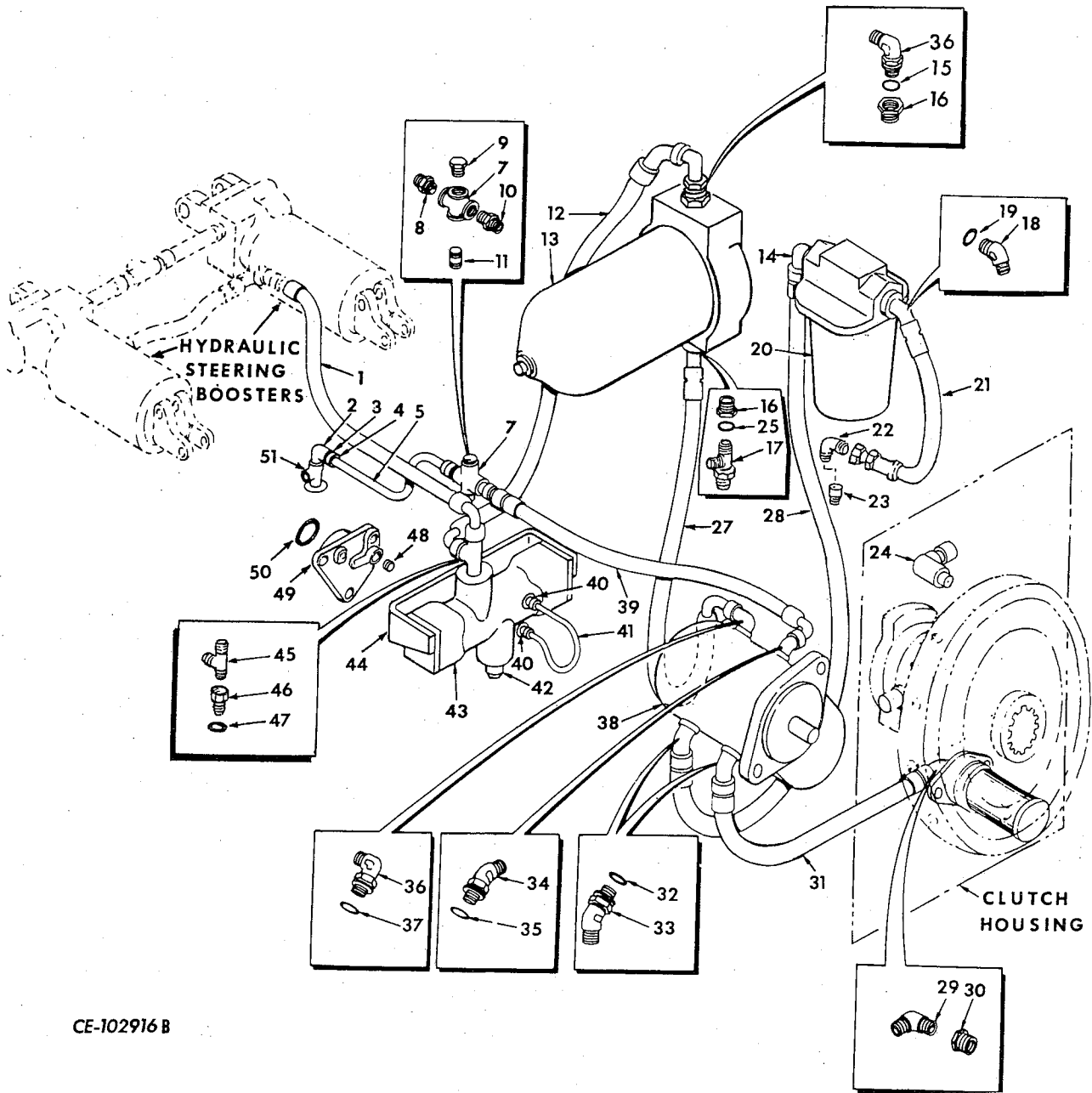
(x) - As Required.

DRIVE TRAIN

REF. NO.	PART NUMBER	DESCRIPTION	REF. NO.	PART NUMBER	DESCRIPTION
TORQUE CONVERTER — Continued (For Power Shift)					
11	603 633 C1	GEAR, input pump drive	39	210 877 H1	SHIM, flange retainer washer (.030") (x)
12	19 263 R1	NUT, elastic stop (Input pump drive gear retaining)	40	22 414 R1	"O" RING, pump drive cover (5 x 5-1/4 x 1/8") (Not used w/ Hydraulic Control Unit)
13	627 882 C1	GEAR, accessory drive			
14	324 109 R91	BEARING, impeller hub	41	326 650 R11	COVER, equipment pump drive (Not used w/Hydraulic Control Unit)
15	343 686 R1	GEAR, accessory driven			
16	324 062 R2	RING, ground sleeve hub seal		604 743 C91	PACKAGE, torque converter gasket field service (Consists of the following GASKETS and RINGS -
17	324 061 R1	HUB, ground sleeve (39T)			
18	324 071 R2 454 869	PLATE, output flange locking SCREW, hex-hd cap (3)		324 069 R1	GASKET, output shaft bearing retainer (2)
19	324 072 R2	WASHER, flange retainer		324 092 R2	GASKET, pump inspection cover
20	197 976 H1	FLANGE, output		321 988 R1	RING, torque converter to flywheel housing sealing
21	333 996 R92	SEAL, output shaft bearing		324 062 R2	RING, hub sealing
22	627 867 C1 179 846 103 321	RETAINER, output shaft bearing SCREW, hex-hd cap (6) WASHER, lock (6)		156 283 H1	RING, output shaft sealing (Piston hook type)
23	324 069 R1	GASKET, output shaft bearing retainer (2)		336 970 R1	RING, input pump sealing (2)
24	627 880 C1	SHAFT, turbine output		343 927 R1	RING, power take-off cover sealing
25	ST-295	BEARING, output shaft ball		338 972 R1	SHIM, impeller hub (.005") (3)
26	637 409 C91 179 842 103 321	PUMP, input SCREW, hex-hd cap (2) WASHER, lock (2)		347 089 R1	SHIM, impeller hub (.010") (3)
28	336 970 R1	"O" RING, input pump (4.359 x 4.637 x 139") (2)		347 090 R1	SHIM, impeller hub (.020") (3)
29	625 854 C1 179 879 103 323	COVER, pump inspection SCREW, hex-hd cap (6) WASHER, lock (6)		637 467 C91	KIT, input pump seal repair (For repair of PUMP, 637 409 C91)
30	627 396 C1	GASKET, pump inspection cover			
31	627 871 C1	HOUSING, converter			
32	321 988 R1	"O" RING, torque converter to flywheel housing (19.725 x 20.145 x .210") (See NOTE)			
33	156 283 H1	RING, output shaft piston hook type seal			
34	24 985 R1	RING, output shaft external snap			
35	ST-201	BEARING, driven gear (2)			
36	197 971 H1	RING, driven gear snap			(x) - As Required.
37	631 255 R1	RING, turbine hub snap			NOTE - Not part of "Converter Assembly."
38	889 615 C1	SPACER			

DRIVE TRAIN

CLUTCH AND TRANSMISSION PIPING (For Manual Shift and Custom Applications)



CE-102916 B

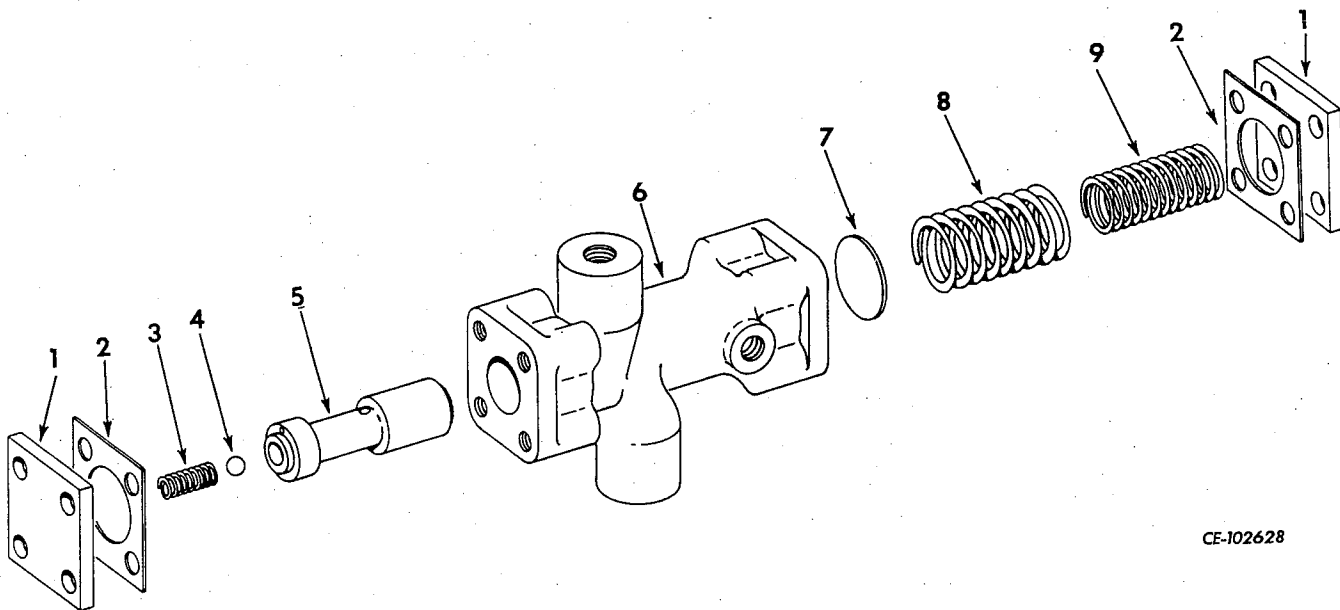
DRIVE TRAIN

REF. NO.	PART NUMBER	DESCRIPTION	REF. NO.	PART NUMBER	DESCRIPTION
CLUTCH AND TRANSMISSION PIPING — Continued (For Manual Shift and Custom Applications)					
1	702 633 C1	HOSE w/FITTINGS, regulator-to-valve (HOSE, 3/8" ID x 38" long including FITTINGS)	27	702 636 C1	HOSE w/FITTINGS, charge pump to pressure filter (HOSE, 1/2" ID x 38" long including FITTINGS)
2	606 845 C1	ELBOW, transmission case tube	28	343 798 R91	HOSE w/FITTINGS, suction filter to charge pump (HOSE, 3/4" ID x 21" long including FITTINGS)
3	265 204 R1	SLEEVE (2)	29	9 402 867	ELBOW, tube (Clutch to pump hose at clutch housing)
4	265 205 R1	NUT (2)	30	144 056	BUSHING, pipe reducer (Clutch housing outlet)
5	616 456 C11	TUBE w/two SLEEVE, 265 204 R1 and two NUT, 265 205 R1, transmission cover-to-case	31	702 634 C1	HOSE w/two FITTINGS, clutch housing to pump (HOSE, 3/4" ID x 21" long including FITTINGS)
7	144 151	CROSS, pipe (In transmission inlet nipple)	32	368 269 R1	RING, elbow sealing (2)
8	606 819 C1	CONNECTOR, (In cross)	33	9 411 107	ELBOW, tube pump inlet (2)
9	20 988 R1	PLUG, pipe (In cross)	34	9 411 105	ELBOW, tube (Scavenging pump outlet)
10	321 359 R1	ADAPTER (Pump to transmission hose at transmission)	35	570 828 R1	RING, elbow sealing
11	334 762 R1	NIPPLE, pipe (Transmission inlet)	36	9 410 977	ELBOW, tube (2)
12	702 637 C1	HOSE w/FITTINGS, pressure filter to regulator tee (HOSE, 1/2" ID x 25" long including FITTINGS)	37	570 828 R1	RING, elbow sealing
13		FILTER ASSY., pressure (For components, see list of parts under details of "Pressure Filters")	38		PUMP ASSY., hydraulic pressure (Refer to "Hydraulic Pressure Pump")
14	662 277 C1	ELBOW, filter outlet	39	702 638 C1	HOSE w/two FITTINGS, scavenging pump to transmission cross (HOSE, 1/2" ID x 14-1/2" long including FITTINGS)
15	570 828 R1	RING, elbow sealing	40	606 819 C1	CONNECTOR, regulator overflow tube (2)
16	619 019 C1	REDUCER, pressure filter inlet and outlet (2)	41	616 459 C11	TUBE w/two SLEEVE, 265 204 R1 and two NUT, 265 205 R1, regulator overflow
	296 247 C1	"O" RING (2)		265 205 R1	NUT (2)
17	9 411 131	TEE, filter to regulator hose		265 204 R1	SLEEVE (2)
18	659 074 C1	ELBOW	42	338 784 R91	ADAPTER, pipe (Regulator outlet)
19	296 247 C1	RING, elbow sealing (2)	43		REGULATOR, pressure (Refer to "Pressure Regulator")
20		FILTER ASSY., charge pump suction (Refer to "Suction Filter")		24 851 R1	SCREW, 7/16 x 1-3/4" hex-hd cap
21	702 634 C1	HOSE w/FITTINGS, rear frame to suction filter (HOSE, 3/4" ID x 21" long including FITTINGS)		24 849 R1	SCREW, 7/16 x 1" hex-hd cap
22	9 402 867	ELBOW, filter hose at rear main frame		115 314	WASHER, lock (2)
23	144 059	ADAPTER, reducing rear main frame outlet	44	616 458 C1	BRACKET, regulator support
24	293 351 R91	ELBOW, pipe (Clutch housing inlet)		25 493 R1	SCREW, hex-hd cap (4)
25	570 828 R1	RING, elbow sealing		116 120	WASHER, lock (4)
			45	619 020 C1	TEE, regulator inlet
			46	627 442 C1	ADAPTER, regulator inlet

DRIVE TRAIN

REF. NO.	PART NUMBER	DESCRIPTION	REF. NO.	PART NUMBER	DESCRIPTION
CLUTCH AND TRANSMISSION PIPING – Continued (For Manual Shift and Custom Applications)					
47	297 459 R1	"O" RING, adapter (.351 x .495 x .072")	50	285 723 R1	"O" RING, regulator adapter (3-1/8 x 3-3/8 x 1/8")
48	444 691	PLUG, adapter pipe	51	263 804 R1	TEE, transmission case to rear main frame cover
49	616 457 C11	ADAPTER w/PLUG, 444 691, pressure regulator	330 929 R1		CLAMP, charge pump hose (Mount on clutch retainer housing bolt)
	70 427 R1	SCREW, hex-hd cap (2)			
	115 314	WASHER, lock (2)			

PRESSURE REGULATOR (For Manual Shift and Custom Applications)



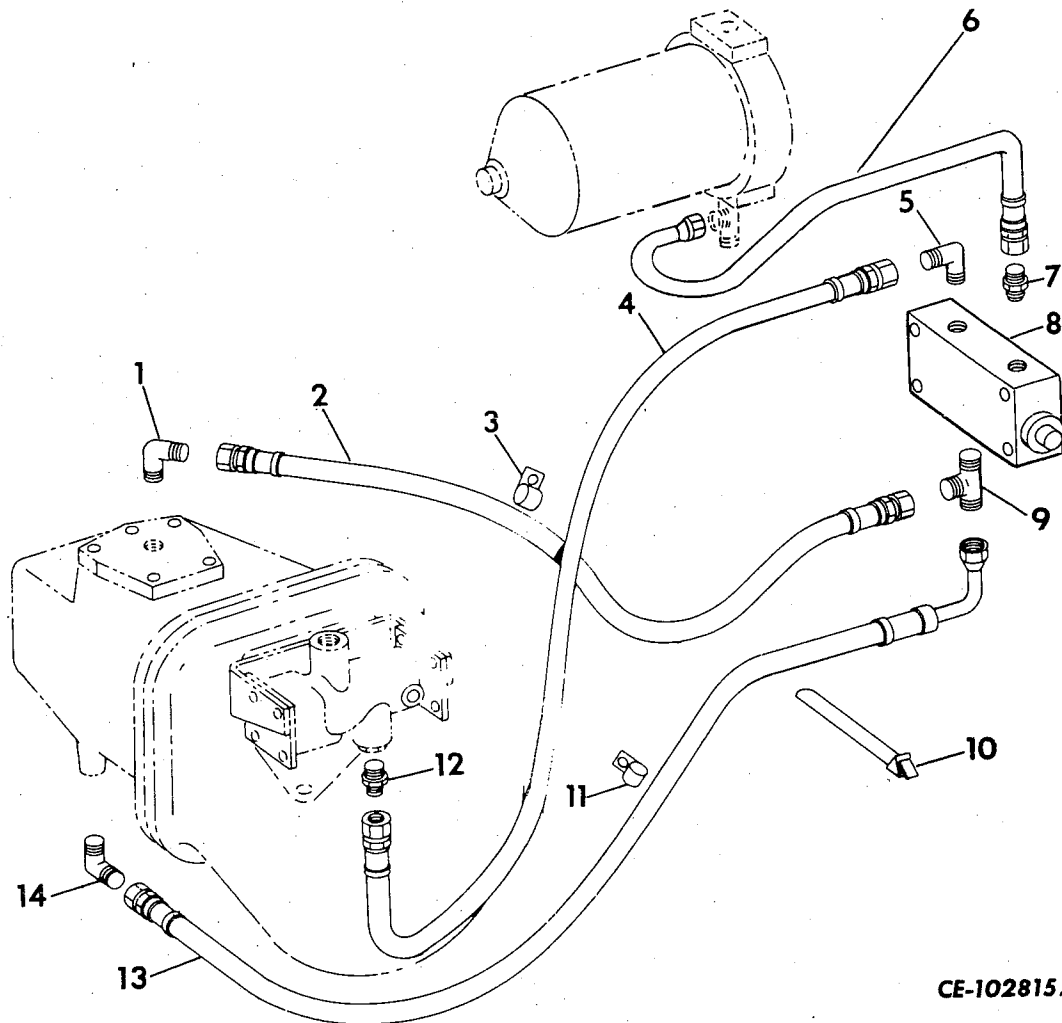
CE-102628

<p>1 321 991 R1 COVER, regulator end (2) 25 492 R1 SCREW, hex-hd cap (8) 116 120 WASHER, lock (8)</p> <p>2 321 992 R1 GASKET, regulator end (2)</p> <p>3 347 243 R1 SPRING, valve spool</p> <p>4 346 509 R1 BALL, valve spool</p> <p>5 338 651 R94 VALVE w/BALL, 346 509 R1, PIN, 20 139 R1 and SPRING, 347 243 R1, spool</p>	<p>6 609 859 C3 HOUSING, regulator valve</p> <p>7 321 997 R1 WASHER, spool valve spring support (3)</p> <p>8 606 512 C1 SPRING, spool valve outer</p> <p>9 324 299 R1 SPRING, spool valve inner</p> <p> 20 139 R1 PIN, valve spool</p>
--	---

DRIVE TRAIN

REF. NO.	PART NUMBER	DESCRIPTION	REF. NO.	PART NUMBER	DESCRIPTION
----------	-------------	-------------	----------	-------------	-------------

DIVERTER VALVE PIPING (For Manual Shift and Custom Applications)



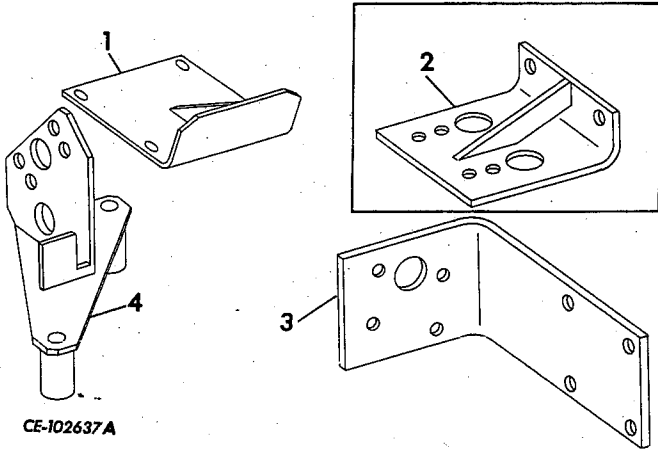
CE-102815A

1	9 402 864	ELBOW, gear shift lock manifold	9	9 403 098	TEE, diverter valve outlet
2	654 209 C1	HOSE w/FITTINGS, diverter valve to manifold (HOSE, 1/4"ID x 38" long including FITTINGS)	10	327 272 R91	STRAP, diverter valve hose
3	299 615 C1	CLAMP, diverter valve to manifold hose	11	299 615 C1	CLAMP, diverter valve to forward and reverse plug hose (On transmission (2))
4	654 210 C1	HOSE w/FITTINGS, diverter valve to regulator drain (HOSE, 1/4"ID x 16" long including FITTINGS)		203 762 R1 446 212	SCREW, hex-hd cap (2) WASHER, flat (4)
5	9 402 864	ELBOW, diverter valve	12	9 402 708	CONNECTOR, regulator drain
6	656 541 C1	HOSE w/FITTINGS, pressure filter to diverter valve tee (HOSE, 3/8"ID x 12" long including FITTINGS)	13	654 208 C1	HOSE w/FITTINGS, diverter valve to forward and reverse poppet plug (HOSE, 1/4"ID x 38" long including FITTINGS)
7	321 359 R1	ADAPTER, diverter valve inlet	14	9 402 864	ELBOW, forward and reverse poppet plug
8		VALVE ASSY., diverter (Refer to "Diverter Valve")			

DRIVE TRAIN

REF. NO.	PART NUMBER	DESCRIPTION	REF. NO.	PART NUMBER	DESCRIPTION
----------	-------------	-------------	----------	-------------	-------------

FILTER BRACKETS

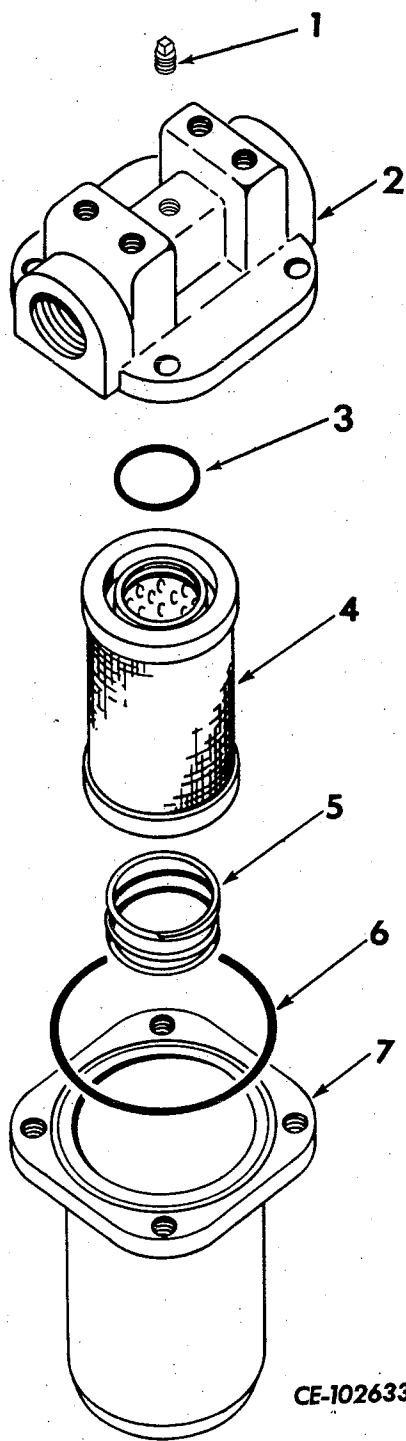


1	624 207 C1	BRACKET, suction filter (For Power Shift) 4229 and below
	24 861 R1 151 795 R1	SCREW, hex-hd cap (4) WASHER, flat (4)
2	334 804 R21	BRACKET, safety filter (For Power Shift) 666 and below
	24 849 R1 115 314	SCREW, hex-hd cap (2) WASHER, lock (2)
3	620 388 C1	BRACKET, transmission pressure filter mounting (For Power Shift) 4229 and below
	25 526 R1 24 862 R1 116 121	NUT (4) SCREW, hex-hd cap (4) WASHER, lock (4)
4	658 730 C1	BRACKET, suction filter support (For Manual Shift and Custom Application)
	24 856 R1	SCREW, hex-hd cap (2)

DRIVE TRAIN

REF. NO.	PART NUMBER	DESCRIPTION	REF. NO.	PART NUMBER	DESCRIPTION
----------	-------------	-------------	----------	-------------	-------------

SUCTION AND SAFETY FILTERS

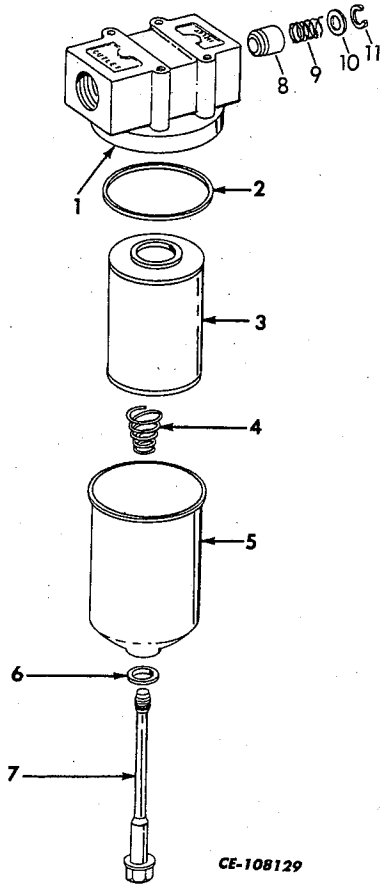


A	659 065 C91	FILTER ASSY. (Suction Filter for Manual Shift and Custom Application) 501 and up (Safety Filter for Power Shift Application) 666 and below	24 839 R1	SCREW, hex-hd cap (Manual Shift and Custom Application) (4)
			25 496 R1	SCREW, hex-hd cap (Power Shift) (4)
			115 093	WASHER, lock (4)
B	662 138 C91	FILTER ASSY., suction (For Power Shift) 4229 and below	25 272 R1	SCREW, hex-hd cap (2)
			116 121	WASHER, lock (2)
			103 343	WASHER, flat (2)
C	715 140 C91	FILTER ASSY., suction (For Power Shift) 4230 and up	24 859 R1	BOLT (3)
			25 546 R1	WASHER, hardened (3)
1	445 684	PLUG, pipe (A) (B)		
1	445 684	PLUG, pipe (C) (2)		
2		HEAD, filter (Not furnished separately)		
3	708 560 R1	"O" RING, 1-5/16 x 1-9/16 x 1/8" (A)		
3	382 432 R1	"O" RING, 2 x 2-1/4 x 1/8" (B)		
3		"O" RING (Not furnished separately) (C)		
4	619 214 C1	ELEMENT w/"O" RING, 708 560 R1 (A)		
4	619 279 C1	ELEMENT w/"O" RING, 382 432 R1 (B)		
4	637 463 C91	ELEMENT w/"O" RING (C)		
5	346 822 R1	SPRING (A)		
5	606 210 C1	SPRING (B)(C)		
6	354 836 R1	"O" RING, 3-1/4 x 3-1/2 x 1/8" (A)		
6	257 642 R1	"O" RING, 4-1/4 x 4-1/2 x 1/8" (B)(C)		
7		BODY, filter (Not furnished separately)		
	637 464 C1	MAGNET, plastiform (C) (6)		

DRIVE TRAIN

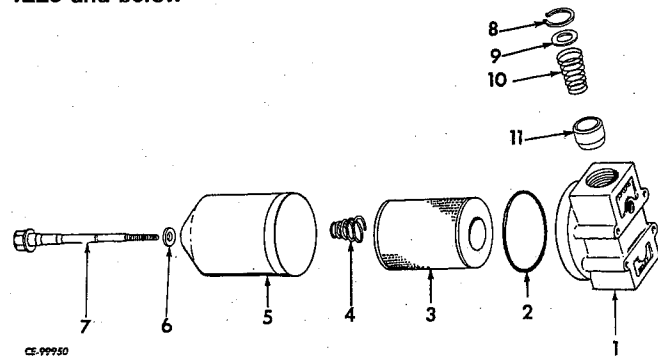
REF. NO.	PART NUMBER	DESCRIPTION	REF. NO.	PART NUMBER	DESCRIPTION
----------	-------------	-------------	----------	-------------	-------------

PRESSURE FILTER
(For Manual Shift and Custom Application)
(Deluxe Products Corp.)



A	702 096 C91	FILTER ASSY., pressure (Order FILTER ASSY., 665 728 C91)
B	665 728 C94	FILTER ASSY., pressure
1		BASE, oil filter (Not serviced separately)
2	3 042 934 R1	"O" RING, 5 x 5-1/2 x 1/4"
3	615 447 C2	ELEMENT, oil filter
4	471 633 R1	SPRING, oil filter compression
5	615 443 C1	BODY, oil filter
6	615 445 C1	GASKET, oil filter body bolt (A)
6	610 814 C1	WASHER, seal (B)
7	615 446 C1	BOLT, oil filter holddown
8	706 950 C1	VALVE, filter by-pass
9	622 663 C1	SPRING (B)
10	103 343	WASHER (B)
11	338 835 R1	RING, retaining (B)

PRESSURE FILTER
(For Power Shift)
(Deluxe Products Corp.)
4229 and below



A	619 692 C92	FILTER ASSY., transmission oil pressure (Order filter assy., 707 130 C92) 2429 and below
B	707 130 C92	FILTER ASSY., transmission oil pressure (with indicator port in filter base) 2429 and below, also # and up
C	649 055 C94	FILTER ASSY., transmission oil pressure (without indicator port in filter base) 2430 to #

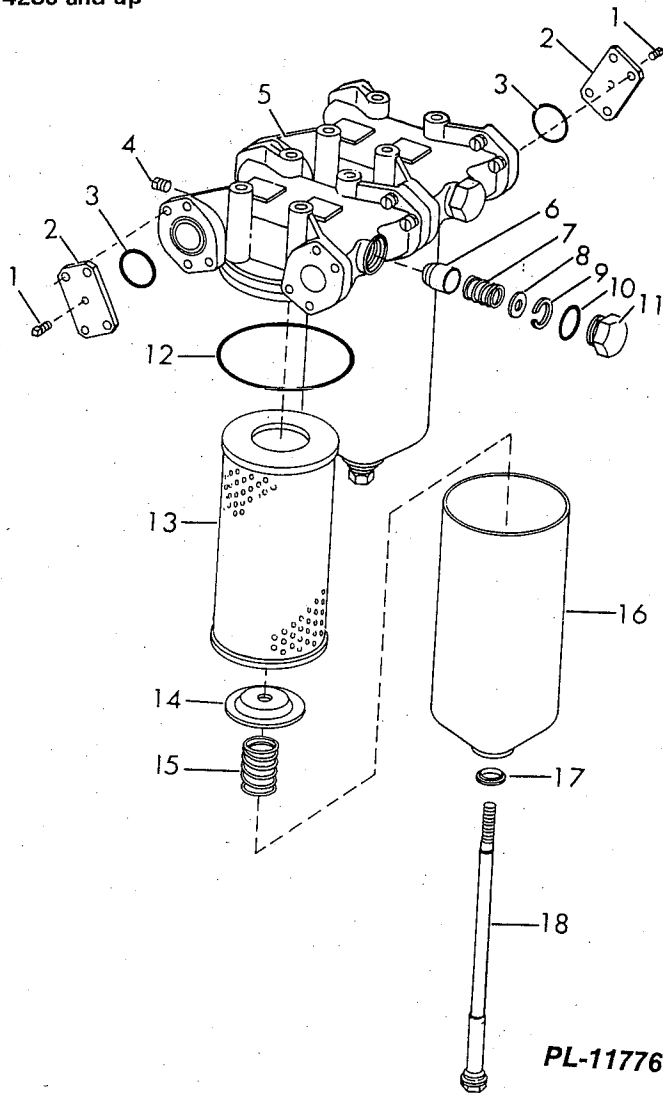
1		BASE, oil filter (Not furnished separately)
2	3 042 934 R1	"O" RING
3	381 256 R91	ELEMENT, oil filter (A)
3	631 144 C3	ELEMENT, oil filter (B) (C)
4	471 633 R1	SPRING, oil filter compression
5	619 810 C1	BODY, oil filter (A)
5	631 145 C1	BODY, oil filter (B) (C)
6	619 814 C1	WASHER, oil filter body bolt
7	619 812 C1	BOLT, oil filter holddown (A)
7	631 143 C1	BOLT, oil filter holddown (B) (C)
8	338 835 R1	RING, retaining
9	392 953 R1	WASHER (A) (B)
9	103 343	WASHER (C)
10	619 815 C1	SPRING (A) (B)
10	622 663 C1	SPRING (C)
11	381 625 R1	VALVE (A) (B)
11	706 950 C1	VALVE (C)

- Serial Number not available.

DRIVE TRAIN

REF. NO.	PART NUMBER	DESCRIPTION	REF. NO.	PART NUMBER	DESCRIPTION
----------	-------------	-------------	----------	-------------	-------------

TRANSMISSION PRESSURE FILTER 4230 and up



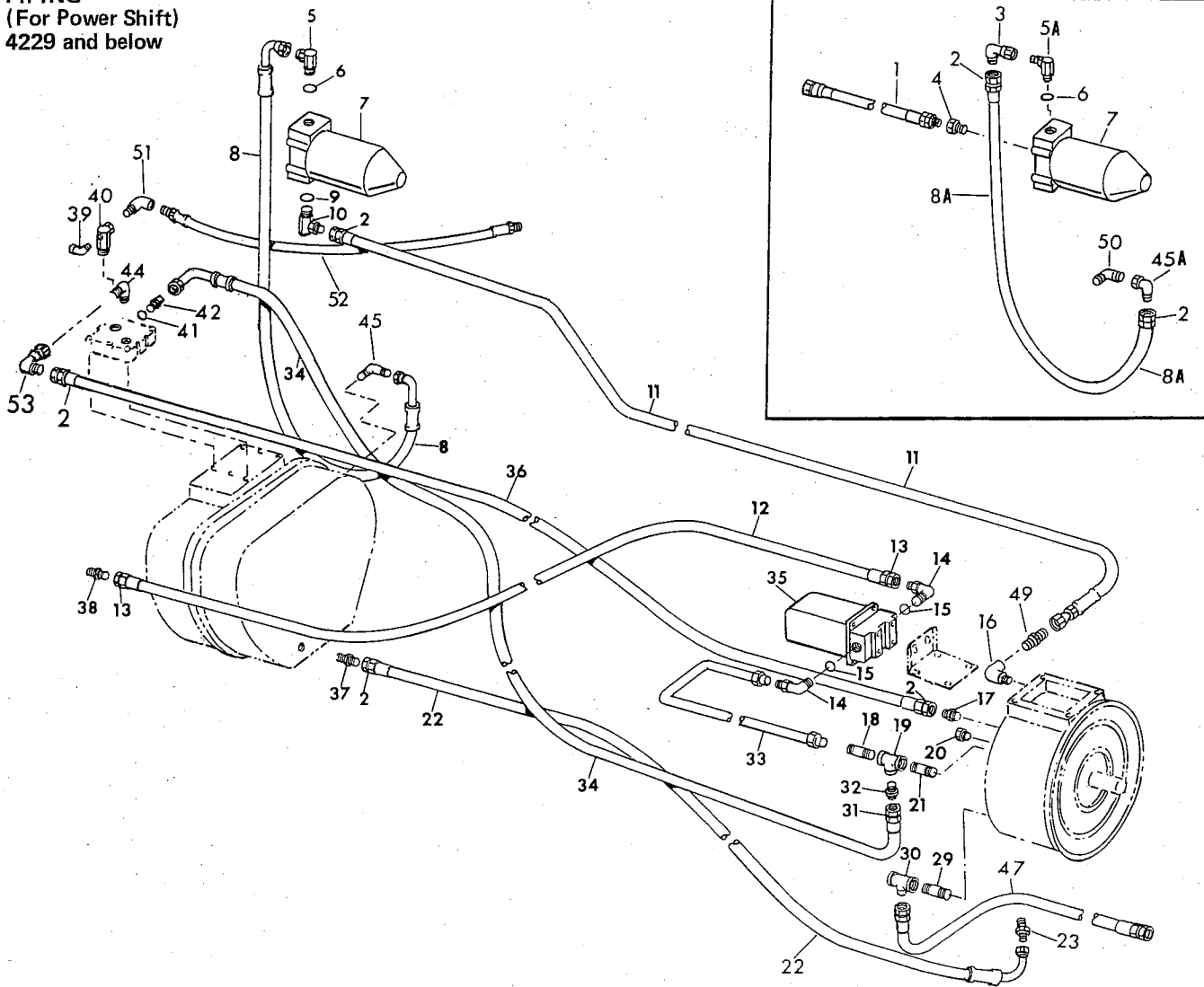
5	715 385 C91	BASE ASSY., filter (2) (Composed of -			
		1 BASE		\$	
		1 RING	338 835 R1		
		1 SPRING	622 663 C2		
		1 VALVE	706 950 C1		
		1 WASHER	103 343		
	24 840 R1	BOLT (6)			
	25 544 R1	WASHER, hardened (4)			
	343 909 R1	RING, between base sealing (2)			
	27 946 R1	SCREW, socket hd, 1-1/2" long (6)			
6	706 950 C1	VALVE, filter by-pass (2)			
7	622 663 C2	SPRING, by-pass valve (2)			
8	103 343	WASHER, flat (2)			
9	338 835 R1	RING, retaining (2)			
10	296 247 R1	RING, sealing (2)			
11	9 410 363	PLUG (2)			
12	3 042 934 R1	RING, body sealing (2)			
13	1 140 079 C1	ELEMENT, filter (2)			
14	1 140 078 C1	SUPPORT, element (2)			
15	1 140 077 C1	SPRING, element (2)			
16	631 145 C1	BODY, element (2)			
17	619 814 C1	WASHER, bolt sealing (2)			
18	631 143 C1	BOLT, element body (2)			

1	444 692	PLUG (2)
	OR	
1	444 619	PLUG (2)
	OR	
1	444 576	PLUG (2)
2	637 440 C1	COVER, sealing (2)
	27 945 R1	SCREW, socket hd, 3/4" long (2)
	27 946 R1	SCREW, socket hd, 1-1/2" long (6)
	115 314	WASHER, lock (8)
	25 524 R1	NUT (6)
3	343 909 R1	RING, sealing (2)
4	444 692	PLUG (2)

DRIVE TRAIN

REF. NO.	PART NUMBER	DESCRIPTION	REF. NO.	PART NUMBER	DESCRIPTION
----------	-------------	-------------	----------	-------------	-------------

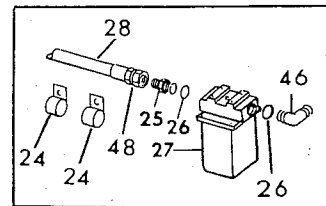
TORQUE CONVERTER AND TRANSMISSION PIPING
(For Power Shift)
4229 and below



CE102966C

1	660 868 C1	HOSE w/two FITTINGS, pressure filter to booster pressure (HOSE, 3/8"ID x 37" long including FITTINGS) (Used with FILTER, 619 692 C92)
2		FITTING, hose (Not furnished separately)
3	9 410 283	ELBOW, hose to filter outlet (Used with HOSE, 656 158 C1)
4	444 000	ADAPTER, pressure filter to booster pressure hose pipe 1786 and below

4	9 402 708	CONNECTOR, filter outlet to steering booster valve hose 1787 to *
5	9 410 981	ELBOW, transmission pressure filter outlet w/o pressure filter indicator (for machines w/o pressure filter indicator or for machines w/the pressure filter indicator ported through the filter header) (used with HOSE 666 364 C1)



* - Serial Number Not Available

DRIVE TRAIN

REF. NO.	PART NUMBER	DESCRIPTION	REF. NO.	PART NUMBER	DESCRIPTION
TORQUE CONVERTER AND TRANSMISSION PIPING — Continued (For Power Shift) 4229 and below			15	307 915 R1	RING, suction filter elbow seal (2)
			16	619 670 C1	ELBOW, 90° pump outlet (Used with HOSE, 702 634 C1)
5	666 280 C1	ELBOW, transmission pressure filter outlet w/pressure filter indicator port (also part of ATTACHMENT 636 780 C91) (used with HOSE 666 364 C1)	16	454 112	ELBOW, 90° pump outlet (Used with HOSE 630 770 C1 and CONNECTOR, 565 014 R1)
5A	619 717 C1	ELBOW, filter outlet (Used with HOSE, 656 158 C1)	17	9 402 711	CONNECTOR, torque converter
6	296 247 R1	RING, filter outlet elbow seal	18	9 402 714	CONNECTOR, pump inlet tee
7		FILTER ASSY, transmission pressure (Refer to "Pressure Filter")	19	186 553	TEE, pump inlet reducer
	140 483 H	BOLT (4)	20	444 613	PLUG, decelerator drain tube inlet
	115 093	WASHER, lock (4)	21	127 874	NIPPLE, pump inlet
	575 807 H1	WASHER, flat (4)	22	702 634 C1	HOSE w/FITTINGS, flywheel housing to transmission (HOSE, 3/4" ID x 21" long including FITTINGS) * and below
8	666 364 C1	HOSE w/two FITTINGS, pressure filter to transmission (HOSE, 1" ID x 31" long including FITTINGS) (Used with FILTER, 649 055 C94 or 707 130 C92) * and up	22	656 158 C1	HOSE w/FITTINGS, flywheel housing to transmission (HOSE, 3/4" ID x 26" long including FITTINGS) * to 1786
8A	656 158 C1	HOSE w/two FITTINGS, pressure filter to transmission (HOSE, 3/4" ID x 26" long including FITTINGS) (Used with FILTER, 619 692 C92) * and below	22	662 438 C1	HOSE w/FITTINGS, flywheel housing to transmission (HOSE, 3/4" ID x 26" long including FITTINGS) 1787 and up
9	296 247 R1	RING, filter inlet elbow seal	23	619 670 C1	ELBOW, 90° flywheel housing outlet (Used w/HOSE, 702 634 C1)
10	619 717 C1	ELBOW, filter inlet (Used with HOSE, 702 634 C1)	23	9 402 828	ELBOW, 45° flywheel housing outlet (Used w/HOSE, 656 158 C1)
10	9 410 981	ELBOW, transmission pressure filter inlet w/o pressure filter indicator port (used with HOSE 630 770 C1)	23	9 402 711	CONNECTOR, flywheel housing outlet (Used w/HOSE, 662 438 C1)
10	666 280 C1	ELBOW, transmission pressure filter inlet w/pressure filter indicator port (also part of ATTACHMENT 636 780 C91) (used with HOSE 630 770 C1)	24	308 882 R1	CLAMP, safety filter and regulator inlet hose (2) 666 and below
				26 099 R1	BOLT (2)
				115 093	WASHER, lock (2)
				103 341	WASHER, flat (2)
11	702 634 C1	HOSE w/two FITTINGS, pump to pressure filter (HOSE, 3/4" ID x 21" long including FITTINGS) * and below	25	380 633 R1	CONNECTOR, safety filter hose 666 and below
11	630 770 C1	HOSE w/two FITTINGS, pump to pressure filter (HOSE, 1" ID x 23" long including FITTINGS) (Used * and up	26	296 247 R1	RING, hose connector seal (2) 666 and below
12	702 497 C1	HOSE w/two FITTINGS, sump to suction filter (HOSE, 1-1/4" ID x 32" long including FITTINGS)	27		FILTER ASSY., safety (For components, see list of parts under details of "Safety Filter") 666 and below
13		FITTING, hose (Order HOSE, 702 497 C1) (2)	28	343 797 R91	HOSE w/two FITTINGS; torque converter to safety filter (HOSE, 3/4" ID x 56" long including FITTINGS) 666 and below
14	9 410 982	ELBOW, suction filter (2)			

* - Serial Number not Available.

DRIVE TRAIN

REF. NO.	PART NUMBER	DESCRIPTION	REF. NO.	PART NUMBER	DESCRIPTION
TORQUE CONVERTER AND TRANSMISSION PIPING – Continued (For Power Shift) 4229 and below			47		HOSE, torque converter to oil cooler (Refer to "Oil to Air Cooler and Piping") 667 and up
29	190 717	NIPPLE, torque converter outlet	48		FITTING, hose (Order HOSE, 343 797 R91) (2) 666 and below
30	218 251	TEE, torque converter outlet reducing	49	565 014 R1	CONNECTOR, pump elbow outlet (Used with HOSE, 630 770 C1)
31		FITTING, hose (Order HOSE, 619 825 C1)	50	9 402 867	ELBOW, transmission inlet (Used w/HOSE, 656 158 C1)
32	9 402 713	CONNECTOR, regulator drain to pump tee	51	297 581 R91	ELBOW, regulator inlet
33	624 213 C91	TUBE, suction filter to converter	52		HOSE w/two FITTINGS, regulator to cooler (Refer to "Oil to Air Cooler and Piping")
34	619 825 C1	HOSE w/FITTING, regulator drain to torque converter pump (HOSE, 7/8" ID x 50" long including FITTINGS)	53	9 410 283	ELBOW, regulator outlet (Used with HOSE 702 634 C1)
35		FILTER ASSY., suction (For components, see list of parts under details of "Suction Filter")		317 262 R1	CLAMP, regulator hose (On front frame)
36	656 158 C1	HOSE w/FITTINGS, regulator to torque converter (HOSE, 3/4" ID x 26" long including FITTINGS) 1786 and below		26 099 R1	BOLT (2)
				115 093	WASHER, lock (2)
				103 341	WASHER, flat (2)
36	662 438 C1	HOSE w/FITTINGS, regulator to torque converter (HOSE, 3/4" ID x 26" long including FITTINGS) 1787 to *		662 362 C1	CLAMP, regulator inlet hose (2) 667 and up
				24 839 R1	SCREW, hex-hd cap (2)
				115 093	WASHER, lock (2)
				103 341	WASHER, plain (2)
36	702 634 C1	HOSE w/FITTINGS, regulator to Torque Converter (HOSE 3/4" ID x 21" long including FITTINGS) * and up		327 273 R91	STRAP (For cooler hoses) (Below engine support) (2)
37	9 402 711	CONNECTOR, flywheel housing to transmission hose		327 723 R91	STRAP, safety filter hose 666 and below
38	9 402 714	CONNECTOR, sump to suction filter hose		679 124 C91	PACKAGE, transmission pressure filter field improvement
39	606 845 C1	ELBOW, regulator to rear frame cover tube			1 ADAPTER 294 134 R1
40	656 531 C92	ELBOW, regulator inlet swivel			1 ADAPTER 317 783 R1
41	876 109 C1	RING, regulator drain connector seal			1 ANGLE 732 167 C1
42	472 755 R1	CONNECTOR, regulator drain hose			10 BOLT 24 839 R1
43		FITTING, hose (Order HOSE, 619 825 C1)			3 BOLT 24 840 R1
44	9 402 867	ELBOW, regulator outlet			2 BOLT 24 849 R1
45	472 753 R1	ELBOW, pressure filter to transmission (Use with HOSE, 666 364 C1)			4 BOLT 24 850 R1
45A	9 410 283	ELBOW, pressure filter to transmission hose swivel (Used with HOSE, 656 158 C1)			2 BOLT 24 854 R1
46	659 074 C1	ELBOW, 45° filter outlet 666 and below			3 BOLT 24 859 R1
					6 BOLT 24 861 R1
					20 BOLT 24 862 R1
					2 BOLT 26 673 R1
					2 BOLT 27 957 R1
					10 BOLT 140 483 H
					§ 1 BOSS
					1 BRACKET 732 180 C1
					1 CLAMP 326 296 R1
					2 CLIP 362 666 R1
					1 COVER 732 173 C1
					1 DOOR 732 165 C1

* - Serial Number Not Available

§ - Not furnished separately.

DRIVE TRAIN

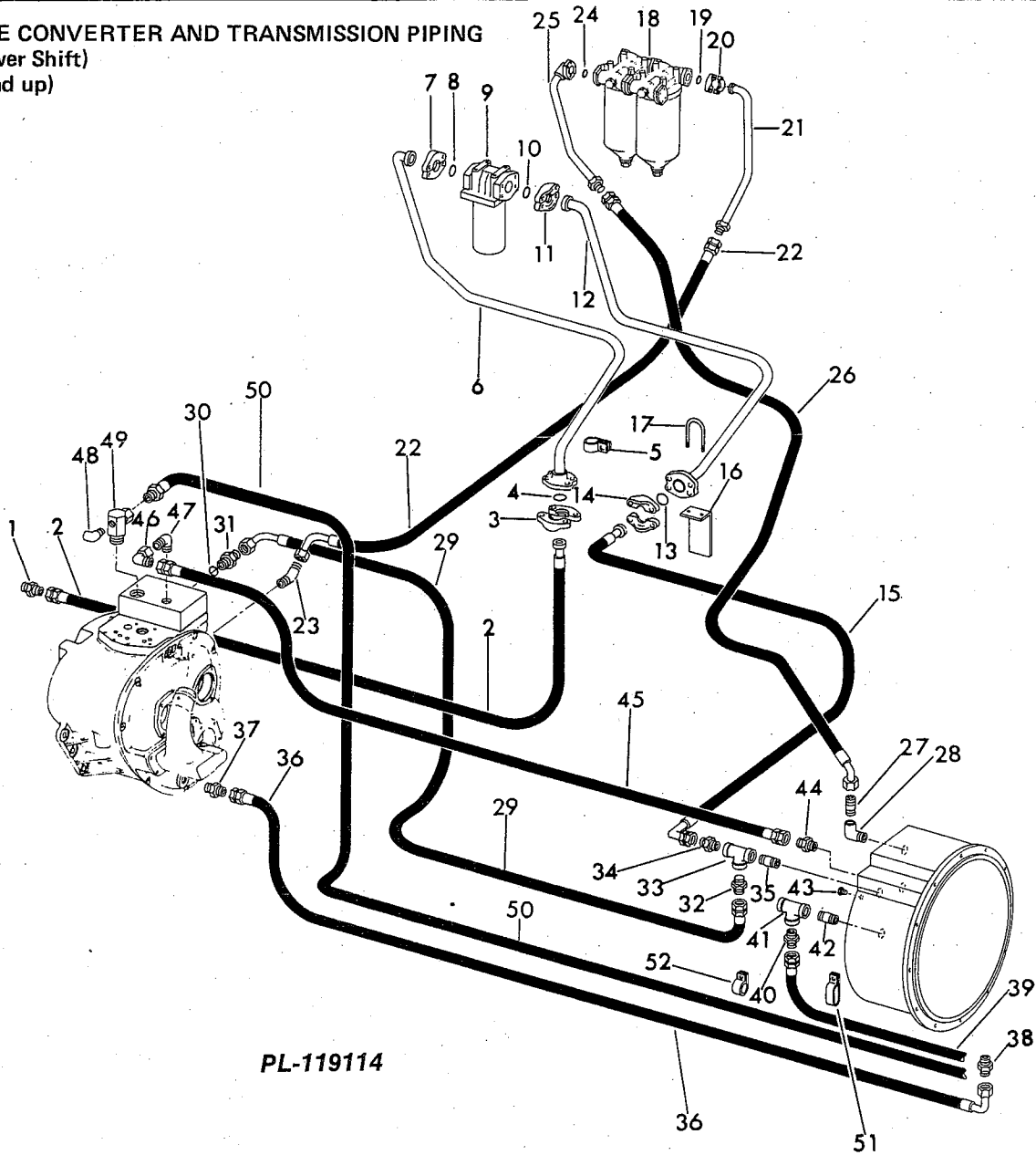
REF. NO.	PART NUMBER	DESCRIPTION	REF. NO.	PART NUMBER	DESCRIPTION
TORQUE CONVERTER AND TRANSMISSION PIPING					
-Continued					
4229 and below					
		1 DRAWING		CZG 1643	
		1 DRAWING		CZG 3258	
		1 DRAWING		CZG 3369	
		1 DRAWING		CZG 3370	
		1 DRAWING		CZG 3764	
		1 DRAWING		CZG 3765	
		1 DRAWING		IZG 6882	
		1 ELBOW		321 387 R1	
		1 ELBOW		346 737 R1	
		1 ELBOW	9	402 823	
		1 ELBOW	9	409 927	
		1 FILTER		715 140 C91	
		1 FILTER		715 315 C91	
		2 FLANGE		290 045 R1	
		4 FLANGE		300 525 R1	
		4 FLANGE		301 844 R1	
	§	1 GUSSET			
		1 HANDLE		732 137 C1	
		1 HOSE		653 527 C1	
		1 HOSE		732 496 C1	
		1 HOSE		733 004 C1	
		1 HOSE		733 005 C1	
		1 HOSE		733 443 C1	
		1 HOSE		736 705 C1	
		2 HOSE		740 285 C1	
		1 INDICATOR		715 647 C1	
		2 INSULATOR		715 753 C1	
		12 NUT		25 522 R1	
		6 NUT		25 526 R1	
	§	3 NUT			
	§	1 NUT			
		2 "O"RING		343 909 R1	
		2 "O"RING		343 921 R1	
		2 "O"RING		343 923 R1	
		1 PLATE		732 158 C1	
		1 PLATE		740 417 C1	
	§	1 PLATE			
		1 ROD		637 444 C91	
		1 SHEET		732 156 C1	
		1 SHIELD		732 169 C1	
		5 STRAP		306 132 C1	
		1 SUPPORT		732 162 C1	
		1 SUPPORT		732 164 C1	
		2 TREAD		604 021 C1	
		1 TUBE		732 174 C1	
		1 TUBE		732 175 C1	
		1 TUBE		732 176 C1	
		1 TUBE		732 177 C1	
		1 "U"BOLT		U18 806	
		14 WASHER		25 534 R1	
		2 WASHER		25 542 R1	
		19 WASHER		25 544 R1	
		2 WASHER		25 545 R1	
		19 WASHER		25 546 R1	
		19 WASHER		115 093	
		10 WASHER		115 314	
		16 WASHER		116 121	

§ - Not Furnished Separately.

DRIVE TRAIN

REF. NO.	PART NUMBER	DESCRIPTION	REF. NO.	PART NUMBER	DESCRIPTION
----------	-------------	-------------	----------	-------------	-------------

TORQUE CONVERTER AND TRANSMISSION PIPING
(For Power Shift)
(4230 and up)



PL-119114

1	9 402 714	CONNECTOR, sump to suction filter hose	7	300 525 R1 24 862 R1 116 121	FLANGE, half split (2) BOLT (4) WASHER, lock
2	733 004 C1	HOSE w/two FITTINGS, sump to suction filter(HOSE,1-1/4" ID x 19-1/2' long including FITTINGS)	8	343 923 R1	RING, sealing
3	301 844 R1 24 862 R1 116 121	FLANGE, half, split (2) BOLT (4) WASHER, lock (4)	9		FILTER ASSY, suction (Refer to "Suction Filter")
4	343 921 R1	RING, sealing	10	343 923 R1	RING, sealing
5	326 296 R1 24 839 R1 25 544 R1 115 093	CLAMP, suction filter inlet tube BOLT WASHER, hardened WASHER, lock	11	300 525 R1 24 862 R1 116 121	FLANGE, half split (2) BOLT (4) WASHER, lock (4)
6	732 174 C1	TUBE, hose to suction strainer	12	732 175 C1	TUBE, suction strainer outlet
			13	343 921 R1	RING, sealing

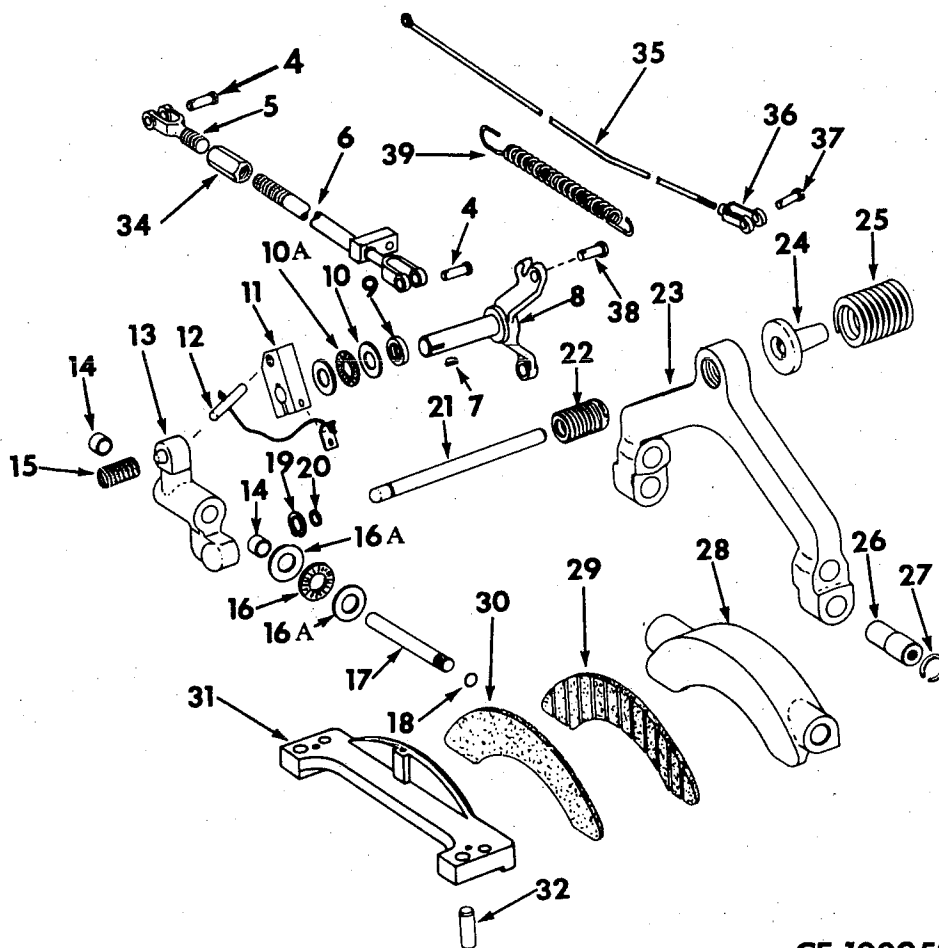
DRIVE TRAIN

REF. NO.	PART NUMBER	DESCRIPTION	REF. NO.	PART NUMBER	DESCRIPTION
TORQUE CONVERTER AND TRANSMISSION PIPING			31	472 755 R1	CONNECTOR, regulator drain
— Continued			32	9 402 713	CONNECTOR, regulator drain to pump tee
(For Power Shift)			33	186 553	TEE, pump inlet reducer
4230 and up			34	9 402 714	CONNECTOR, pump inlet tee
14	301 844 R1	FLANGE, half split (2)	35	127 878	NIPPLE, pump inlet
	24 862 R1	BOLT (4)	36	662 438 C1	HOSE w/FITTINGS, flywheel housing to transmission (HOSE, 3/4" ID x 26" long including FITTINGS)
	116 121	WASHER, lock (4)	37	9 402 711	CONNECTOR, flywheel housing to transmission
15	733 005 C1	HOSE w/FITTINGS, suction strainer tube to torque converter (HOSE 1-1/4" ID x 14-1/2" long including FITTINGS)	38	9 402 711	CONNECTOR, flywheel housing outlet
16	732 180 C1	BRACKET, suction strainer outlet tube	39		HOSE, torque converter to oil cooler (Refer to "Oil to Air Cooler and Piping")
	24 862 R1	BOLT (2)	40	9 402 711	CONNECTOR, tee to oil cooler
	25 526 R1	NUT (2)	41	218 251	TEE, torque converter outlet reducing
	25 546 R1	WASHER, hardened (4)	42	192 082	NIPPLE, torque converter outlet
17	U 18 806	"U" BOLT	43	444 613	PLUG, decelerator drain tube inlet
	25 522 R1	NUT (2)	44	9 402 711	CONNECTOR, torque converter inlet
	115 093	WASHER, lock (2)	45	702 634 C1	HOSE w/FITTINGS, regulator to Torque Converter (HOSE, 3/4" ID x 21" long including FITTINGS)
18		FILTER ASSY., transmission pressure (Refer to "Transmission Pressure Filter")	46	9 410 283	ELBOW, regulator outlet swivel
	24 839 R1	BOLT (4)	47	9 402 867	ELBOW, regulator outlet
	25 544 R1	WASHER, hardened (4)	48	606 845 C1	ELBOW, regulator to rear frame cover tube
19	343 909 R1	RING, sealing	49	656 531 C92	ELBOW, regulator cooler inlet
20	290 045 R1	FLANGE, half split (2)	50		HOSE, cooler to regulator (Refer to "Oil to Air Cooler and Piping")
	24 850 R1	BOLT (4)	51	662 362 C1	CLAMP, regulator inlet and torque converter outlet (On front frame)
	115 314	WASHER, lock (4)		140 483 H	BOLT
21	732 177 C1	TUBE, pressure filter outlet		315 972 R1	SPACER
22	733 443 C1	HOSE w/FITTINGS, pressure filter to transmission (HOSE 1" ID x 29" long including FITTINGS)		25 534 R1	WASHER, flat
23	321 387 R1	ELBOW, 45° transmission inlet		115 093	WASHER, lock
24	343 909 R1	RING, sealing	52	608 868 C1	CLAMP, regulator inlet hose (On front frame)
25	732 176 C1	TUBE, pressure filter inlet			
	27 957 R1	BOLT (2)			
	24 854 R1	BOLT (2)			
26	736 705 C1	HOSE w/FITTINGS, torque converter to pressure filter (HOSE 1" ID x 46" long including FITTINGS)			
27	565 014 R1	CONNECTOR, pump elbow outlet			
28	454 112	ELBOW, 90° pump outlet			
29	619 825 C1	HOSE w/FITTINGS, regulator drain to torque converter pump (HOSE, 7/8" ID x 50" long including FITTINGS)			
30	876 109 C1	RING, sealing			

DRIVE TRAIN

REF. NO.	PART NUMBER	DESCRIPTION	REF. NO.	PART NUMBER	DESCRIPTION
----------	-------------	-------------	----------	-------------	-------------

STEERING CLUTCHES



CE-102959

4	103 498 103 386	PIN, rod end (4) PIN, 1/8 x 1-1/4" cotter (4)	11	325 182 R1	LEVER, LH bellcrank push rod
5	338 019 R11 219 753	ROD, steering clutch pull (Short) (2) NUT, NF jam (2)	11	325 183 R1 24 864 R1 116 121	LEVER, RH bellcrank push rod SCREW, hex-hd cap (2) WASHER, lock (2)
6	341 719 R91 20 097 R1	ROD, steering clutch pull (Long) (2) NUT, NF jam (LH thread) (2)	12	325 576 R93	ROD and ANCHOR, bellcrank push (2)
7	659 780 C1	KEY, bellcrank push rod lever (2)	13	612 727 C11	BELLCRANK w/two BUSHING, 325 180 R1, LH clutch fork push rod
8	334 825 R11	LEVER, outer LH bellcrank push rod	13	612 728 C11	BELLCRANK w/two BUSHING, 325 180 R1, RH clutch fork push rod
8	334 826 R11	LEVER, outer RH bellcrank push rod	14	325 180 R1	BUSHING, bellcrank clutch fork push rod (4)
9	324 014 R91	OIL SEAL, bellcrank push rod lever (2)	15	325 575 R1	SPRING, steering clutch bellcrank return
10	306 970 R1	RACE, clutch fork bellcrank push rod bearing (4)			
10A	368 372 R91	BEARING, clutch fork bellcrank push rod needle (2)			

DRIVE TRAIN

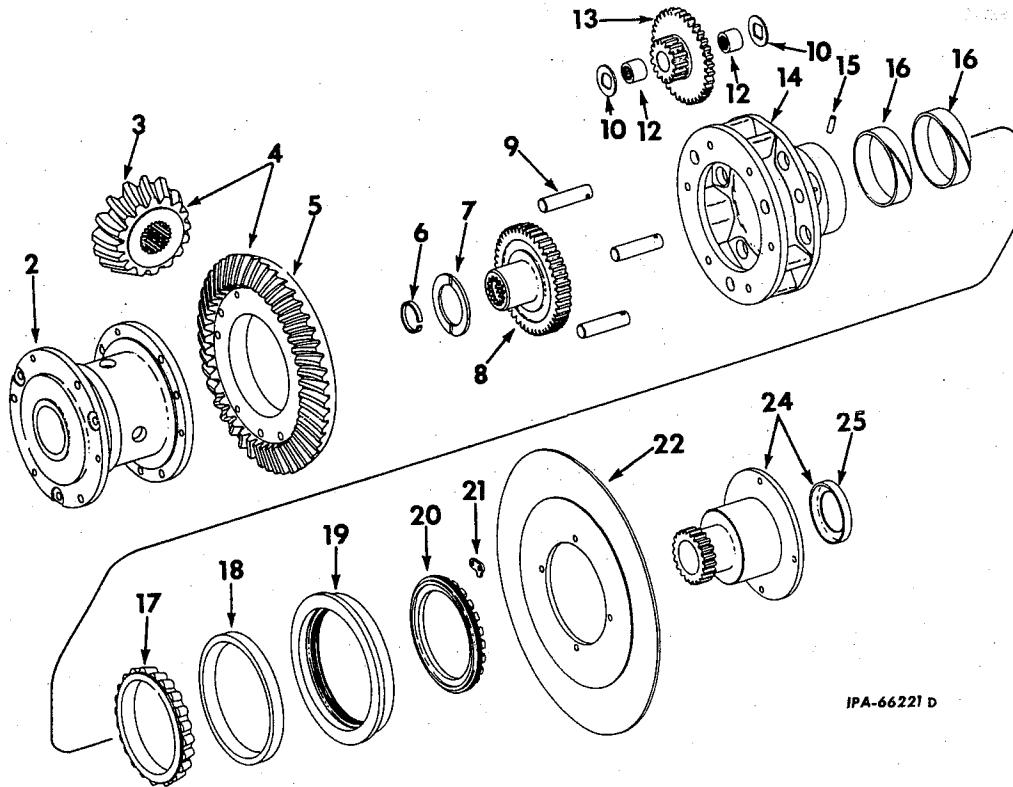
REF. NO.	PART NUMBER	DESCRIPTION	REF. NO.	PART NUMBER	DESCRIPTION
STEERING CLUTCHES — Continued					
16	368 372 R91	BEARING, clutch fork bellcrank push rod needle (2)	38	33 557 V 103 385	PIN, front booster pivot (2) PIN, cotter (2)
16A	306 970 R1	RACE, clutch fork bellcrank push rod bearing (4)	39	331 988 R1	SPRING, booster piston return (2)
17	325 181 R1	SHAFT, clutch fork push rod bellcrank (2)		331 910 R91	PACKAGE, brake shoe lining field service (Consists of four LINING, 331 911 R21, sixteen RIVET, 20 077 R1 and thirty-two RIVET, 19 685 R1) (x)
	25 496 R1	SCREW, hex-hd cap (2)		20 077 R1	RIVET, brake shoe (3/16 x 1" tubular) (Part of PACKAGE, 331 910 R91) (16)
	115 093	WASHER, lock (2)		19 685 R1	RIVET, brake shoe (Part of PACKAGE, 331 910 R91) (32)
	423 181 R1	WASHER, bellcrank shaft retainer (2)			
18	350 684 R1	"O" RING, bellcrank shaft (3/4 x 1 x 1/8") (2)			
19	321 985 R1	RING, clutch fork push rod bellcrank snap (2)			
20	154 665 R1	RING, clutch fork push rod snap (2)			
21	325 177 R2	ROD, clutch fork push (2)			
22	345 667 R2	SCREW, clutch shoe adjuster (2)			
23	345 668 R2	FORK, steering clutch (2)			
24	325 175 R2	RETAINER, clutch pressure spring (2)			
25	338 132 R4	SPRING, steering clutch pressure (2)			
26	325 173 R3	PIN, clutch fork (8)			
27	324 000 R1	RING, clutch fork pin snap (4)			
28	325 171 R12	SHOE w/LINING, clutch (2)			
29	331 911 R21	LINING, clutch (Part of PACKAGE, 331 910 R91) (2)			
30	331 911 R21	LINING, clutch back-up shoe (Part of PACKAGE, 331 910 R91) (2)			
31	343 074 R12	SHOE w/two DOWEL, 250 868 R1 and LINING, LH clutch back-up			
31	343 075 R12	SHOE w/two DOWEL, 250 868 R1 and LINING, RH clutch back-up			
	24 876 R1	SCREW, 5/8 x 2-1/4" hex-hd cap (4)			
32	19 968 R1	DOWEL, clutch back-up shoe (4)			
34	338 017 R1	TURNBUCKLE, steering clutch pull rod (2)			
35	334 829 R11	ROD, steering booster valve operating (2)			
	103 373	PIN, cotter (2)			
36	104 038	CLEVIS, booster valve operating rod (2)			
	114 494	NUT, NF (2)			
37	103 496	PIN, rod end (2)			
	103 362	PIN, cotter (2)			

(x) - As Required.

DRIVE TRAIN

REF. NO.	PART NUMBER	DESCRIPTION	REF. NO.	PART NUMBER	DESCRIPTION
----------	-------------	-------------	----------	-------------	-------------

STEERING PLANETARY DRIVE



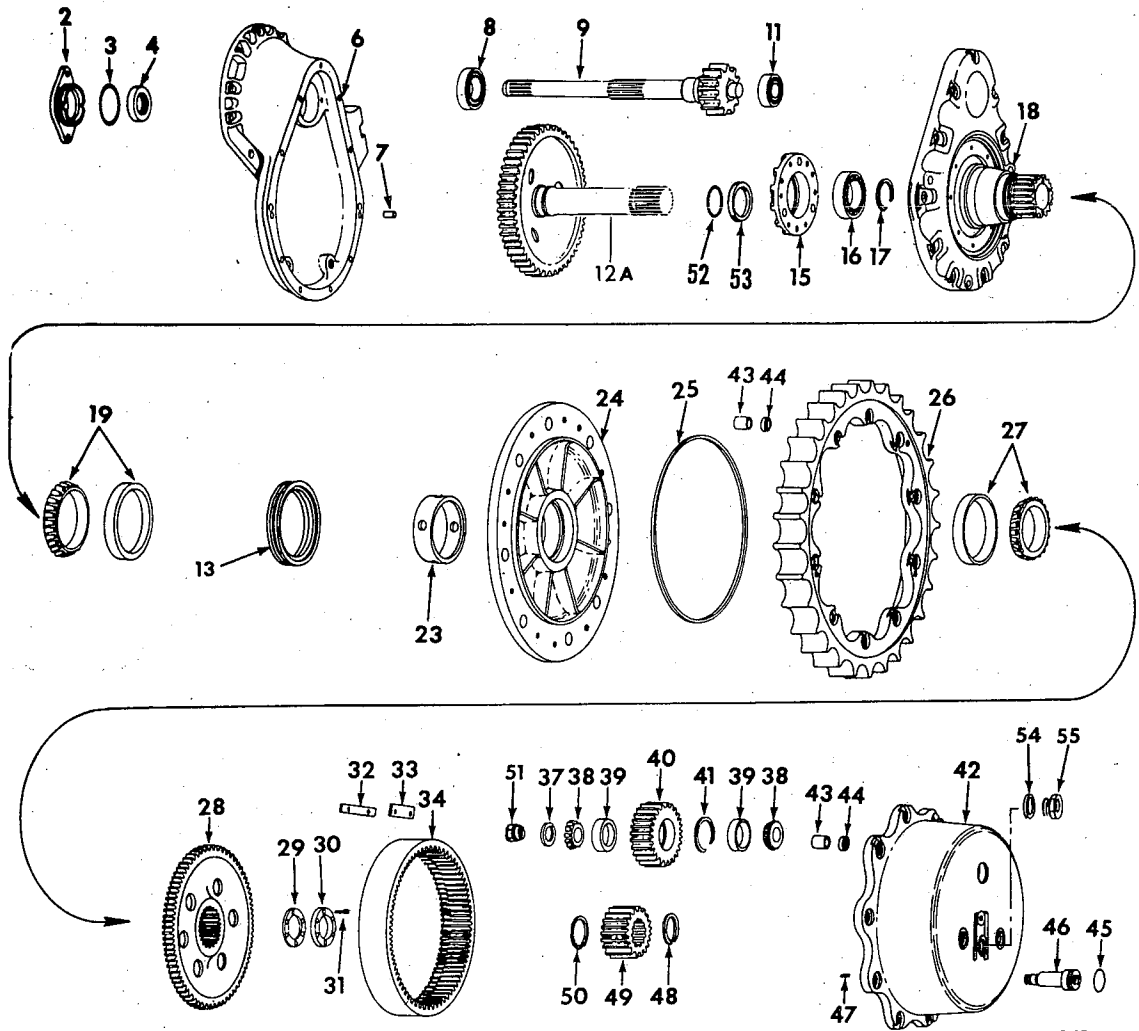
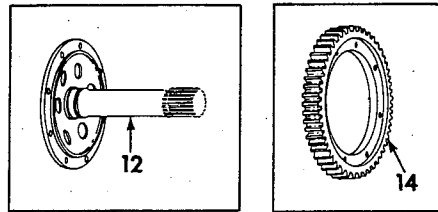
2	624 456 C1 330 912 R1 325 166 R1 325 168 R1 9 412 230	CARRIER, bevel gear BOLT, bevel gear carrier (3) BOLT, planet carrier dowel (3) BOLT, bevel gear dowel (6) NUT, Esna lock (12)	16	325 309 R91	BUSHING, planet gear carrier (4)
3	325 055 R1	PINION, drive bevel (*)	17		CONE, bevel gear carrier roller bearing (Order BEARING, 338 260 R91) (2)
4	331 786 R91	GEAR, 334 226 R1 and PINION, 325 055 R1, drive bevel (Matched set)	18		CUP, bevel gear carrier roller bearing (Order BEARING, 338 260 R91) (2)
5	334 226 R1	GEAR, drive bevel	19	624 452 C1	CAGE, bevel gear carrier bearing (2)
6	325 151 R1	RING, sprocket drive pinion shaft gear snap (2)	20	624 453 C1	NUT, bevel gear carrier adjuster (2)
7	321 975 R1	WASHER, bevel gear carrier thrust (2)	21	325 158 R1	LOCK, bevel gear carrier adjuster nut (2)
8	624 451 C1	GEAR, sprocket drive pinion shaft (2)		25 752 R1 115 109	SCREW, hex-hd cap (4) WASHER, lock (4)
9	325 153 R1	SHAFT, gear cluster (6)	22	325 161 R2 325 162 R1 17 234 R1	DISC, brake (2) BOLT, brake disc dowel (8) NUT, brake disc dowel bolt (8)
10	612 733 C2	WASHER, planet gear cluster thrust (12)	24	700 293 C91	HUB w/RING, 325 163 R1, sun gear and clutch disc (2)
12	321 981 R91	BEARING, planet gear cluster (12)	25	325 163 R1	RING, sun gear and clutch hub oil collector (2)
13	325 152 R1	CLUSTER, planet gear (6)		338 260 R91	BEARING w/CUP and CONE, bevel gear carrier (2)
14	624 455 C91	CARRIER w/two BUSHING, 325 309 R91, planet gear (2)			
15	617 937 R1	PIN, planet gear cluster shaft (6)			

(*) - Also illustrated with "Bevel Pinion Shaft, Spline Shaft and Related Parts."

DRIVE TRAIN

REF. NO.	PART NUMBER	DESCRIPTION	REF. NO.	PART NUMBER	DESCRIPTION
----------	-------------	-------------	----------	-------------	-------------

SPROCKET DRIVE AND SPROCKET



CE-102961A

2	325 275 R3 24 861 R1 26 273 R1	RETAINER, pinion gear oil seal (2) SCREW, hex-hd cap (4) WASHER, lock (4)	20 890 R1	SCREW, 2-1/4" long (Nylon pellet) hex-hd cap (14) 1591 to %	
3	468 339 R1	"O" RING, pinion gear seal retainer (4 x 4-1/4 x 1/8") (2)	24 889 R1	SCREW, 2-1/4" long (pln) hex-hd cap (14) % and up	25 538 R1
4	610 867 C92	OIL SEAL, pinion gear (2)	25 538 R1	WASHER, hardened (14) 1591 and up	
6	628 055 C92	CARRIER w/two DOWEL, 19 894 R1 three PLUG, 104 940 and two PLUG, 104 941, LH sprocket drive (Not For Low Ground Pressure)			
	104 940	PLUG, 5/8" (3)			
	104 941	PLUG, 11/16" (2)			
	320 185 C1	PLUG, sq-soc pipe			
	24 888 R1	SCREW, 2" long hex-hd cap (14) 1590 and below			

% - Serial Number not Available.

DRIVE TRAIN

REF. NO.	PART NUMBER	DESCRIPTION	REF. NO.	PART NUMBER	DESCRIPTION
SPROCKET DRIVE AND SPROCKET – Continued					
6	628 056 C92	CARRIER w/two DOWEL, 19 894 R1 three PLUG, 104 940 and two PLUG, 104 941, RH sprocket drive (Not For Low Ground Pressure)	13	661 636 C91	KIT, sprocket carrier seal (For repair of SEAL, 662 594 C91) (Consists of two WASHERS, two WIPERS and INSTRUCTION PAMPHLET) (x)
	104 940	PLUG, 5/8" (3)	13	662 610 C92	KIT, sprocket carrier seal (For repair of SEAL, 662 587 C92) (Consists of two WASHERS, two WIPERS and INSTRUCTION PAMPHLET) (x)
	104 941	PLUG, 11/16" (2)			
	320 185 C1	PLUG, 3/4" sq-soc pipe	14	325 276 R2	GEAR, sprocket drive (Order GEAR w/SHAFT, 716 913 C1) (2)
	24 888 R1	SCREW, 2" long hex-hd cap (14) 1590 and below	15	325 283 R2	RETAINER, sprocket drive gear bearing (Together with BEARING, 324 027 R91, will work for RETAINER, 325 283 R1) (2)
	20 890 R1	SCREW, 2-1/4" long (Nylon pellet) hex-hd cap (14) 1591 to %		25 505 R1	SCREW, hex-hd cap (12)
	24 889 R1	SCREW, 2-1/4" long (pln) hex-hd cap (14) % and up		114 608	WASHER, ext tooth lock (12)
	25 538 R1	WASHER, hardened (14) 1591 and up	16	324 027 R91	BEARING, sprocket drive gear (2)
6	716 611 C91	CARRIER w/two DOWEL, 19 894 R1, three PLUG, 104 940 and two PLUG 104 939, LH sprocket drive (For Low Ground Pressure)	17	331 867 R1	RING, sprocket drive gear bearing snap (2)
	24 889 R1	BOLT (14)	18	616 121 C41	COVER w/three PLUG, 104 940, sprocket drive carrier (2) 1626 and below
	25 538 R1	WASHER (14)		104 940	PLUG, No. 4 cork (6)
6	716 612 C91	CARRIER w/two DOWEL, 19 894 R1, three PLUG, 104 940 and two PLUG, 104 939, RH sprocket drive (For Low Ground Pressure)	18	705 164 C91	COVER w/four PLUG, 104 938, sprocket drive carrier (2) 1627 to 2061
	24 889 R1	BOLT (14)	18	705 190 C91	COVER w/four PLUG, 104 938, sprocket drive carrier (2) 2062 and up
	25 538 R1	WASHER (14)		104 938	PLUG, No. 2 cork (8)
7	19 894 R1	DOWEL (4)		24 878 R1	SCREW, hex-hd cap (22)
8	631 632 C91	BEARING, pinion gear inner (2)		25 537 R1	WASHER, hardened (22)
9	654 718 C1	PINION, sprocket drive (2) (Not For Low Ground Pressure)	19	338 260 R91	BEARING, sprocket drive inner roller (2)
9	716 613 C1	PINION, sprocket drive (For Low Ground Pressure) (2)	23	331 869 R1	SPACER, sprocket drive cover bearing (2)
11	631 634 C91	BEARING, pinion gear outer (2)	24	616 125 C3	CARRIER, sprocket (2) 2511 and below
12	612 783 C95	CARRIER, sprocket drive gear (Order GEAR w/SHAFT, 716 913 C1)(2)	24	662 796 C1	CARRIER, sprocket (2) 2512 and up
	24 876 R1	BOLT (32)	25	324 044 R1	RING, planet carrier sealing (2)
	9 412 231	NUT (32)	26	624 498 C91	SPROCKET w/three PLUG, 104 939 and six WASHERS, 25 547 R1) (2) 2511 and below
12A	716 913 C1	GEAR w/SHAFT, sprocket drive (2)		609 298 C1	WASHER, hardened (12)
13	662 600 C91	SEAL, sprocket carrier (Crane) (2)		104 939	PLUG, NO. 4 cork (6)
	OR			24 875 R1	SCREW, 5/8 x 2" hex-hd cap (12)
13	662 594 C91	SEAL, sprocket carrier (Chicago Rawhide) (2)		24 878 R1	SCREW, 5/8 x 2-3/4" hex-hd cap (8)
	OR				
13	662 587 C92	SEAL, sprocket carrier (Cartriseal) (2)			
13	662 633 C91	KIT, sprocket carrier seal (For repair of SEAL, 662 600 C91) (Consists of two WASHERS, two WIPERS and INSTRUCTION PAMPHLET) (x)			

% - Serial Number not Available.
(x) - As Required.

DRIVE TRAIN

REF. NO.	PART NUMBER	DESCRIPTION	REF. NO.	PART NUMBER	DESCRIPTION
SPROCKET DRIVE AND SPROCKET - Continued					
26	707 720 C91	SPROCKET w/three PLUG, 104 939 (2) 2512 and up	42	709 541 C91	CARRIER w/three PLUG, 104 940, planet gear (2) 2511 and below
	25 693 R1	SCREW, hex-hd cap (10)		320 185 C1	PLUG, sq-soc (2)
	25 539 R1	WASHER, hardened (10)		104 940	PLUG, cork (6)
	104 939	PLUG, No. 4 cork (3)		24 875 R1	BOLT, 2" long (12)
				24 878 R1	BOLT, 2-3/4" long (8)
26	662 553 C91	SPROCKET w/three PLUG, 104 939 and six WASHER, 25 547 R1, narrow pitch (Part of ATTACHMENT, 629 706 C91) (2) 2511 and below	42	662 849 C91	CARRIER w/three PLUG, 104 940, planet gear (Order CARRIER, 662 849 C92 and three SHAFT, 705 483 C1) (2) 2512 to 3610 and 3614
	104 939	PLUG, No. 4 cork (3)		320 185 C1	PLUG, sq-soc (2)
	24 875 R1	SCREW, 2" long hex-hd cap (6)		104 940	PLUG, cork (6)
	24 878 R1	SCREW, 2-3/4" long hex-hd cap (4)		25 693 R1	BOLT (20)
	25 547 R1	WASHER, hardened (6)		25 539 R1	WASHER, hardened (20)
26	707 787 C91	SPROCKET, narrow pitch w/three PLUG, 104 939 (Part of ATTACHMENT, 662 859 C91) (2) 2512 and up	42	662 849 C92	CARRIER w/three PLUG, 104 940, planet gear (2) 3611 and up except 3614
		SCREW, hex-hd cap (20)		320 185 C1	PLUG, sq-soc (2)
		WASHER, hardened (20)		104 940	PLUG, cork (6)
				25 693 R1	BOLT (20)
				25 539 R1	WASHER, hardened (20)
27	343 500 R91	BEARING, outer sprocket drive (2)	43	325 297 R1	DOWEL, planet carrier and sprocket (16) 2511 and below
28	331 870 R2	HUB, sprocket drive ring (2)			
29	331 864 R1	SHIM, bearing retainer (.0149") (x)	44	325 287 R1	WASHER, dowel (16) 2511 and below
29	331 865 R1	SHIM, bearing retainer (.0070") (x)			
29	331 866 R1	SHIM, bearing retainer (.0040") (x)	45	382 432 R1	"O" RING, planet gear shaft (2 x 2-1/4 x 1/8") (6)
30	611 241 C1	PLATE, bearing retainer (2)			
31	25 336 R1	SCREW, hex-hd (12)	46	612 684 C1	SHAFT, planet gear (Order CARRIER, 709 541 C91 and three SHAFT, 705 483 C1) (6) 2511 and below
32	309 816 R1	LOCK, retainer plate bolt (6)			
	24 840 R1	SCREW, hex-hd cap (12)			
33	309 815 R1	PLATE, sprocket drive ring gear retainer (6)	46	612 684 C1	SHAFT, planet gear (Order CARRIER, 662 849 C92 and three SHAFT, 705 483 C1) (6) 2512 to 3610 and 3614
34	331 887 R2	GEAR, sprocket drive ring (2)			
37	334 773 R1	SPACER, planet gear bearing (6)	46	705 483 C1	SHAFT, planet gear (6) 3611 and up except 3614
38	290 808 R91	CONE, planet gear roller bearing (12)			
39	61 336 R1	CUP, planet gear roller bearing (12)	47	141 199	PIN, planet gear shaft lock (6)
40	334 770 R1	GEAR, planet (6)	48	331 867 R1	RING, sun gear retainer snap (2)
41	336 447 R1	RING, planet gear bearing snap (6)	49	331 871 R2	GEAR, sun (2)
42	612 685 C11	CARRIER w/three PLUG, 104 940, planet gear (Order CARRIER, 709 541 C91 and three SHAFT, 705 483 C1) (2) 2511 and below	50	331 867 R1	RING, sun gear retainer snap (2)
	320 185 C1	PLUG, sq-soc (2)	51	709 928 C1	NUT, planet gear shaft (Esna) (6)
	104 940	PLUG, cork (6)			
	24 875 R1	BOLT, 2" long (12)			
	24 878 R1	BOLT, 2-3/4" long (8)			

(x) - As Required.

NOTE 3 - Field application - Order through regular parts channels.

DRIVE TRAIN

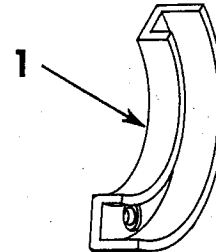
REF. NO.	PART NUMBER	DESCRIPTION
----------	-------------	-------------

REF. NO.	PART NUMBER	DESCRIPTION
----------	-------------	-------------

SPROCKET DRIVE AND SPROCKET - Continued

**SPROCKET DRIVE COVER SEAL GUARD
(For Manual Shift and Power Shift)**

52	707 220 R1	"O" RING, carrier spacer (3 x 3-1/4 x 1/8") (2)
53	628 289 C1	SPACER, carrier (2)
54	272 925 R1	GASKET, oil level plug (2)
55	324 907 R1	PLUG, sq-soc oil level (2)
	319 922 R1	RING, break cooling port seal (2)
	or 360 610 R1	RING, break cooling port seal (2)
	654 706 C1	DAM, oil (2)
	324 045 R1	RING, sprocket drive carrier sealing 1556 and below
	629 706 C91	ATTACHMENT, narrow sprocket (7.5 pitch) (See NOTE 3) 2511 and below (Consists of - 8 DOWEL 325 297 R1 12 SCREW 24 875 R1 8 SCREW 24 878 R1 2 SPROCKET 662 553 C91 8 DOWEL 325 297 R1)
	662 859 C91	ATTACHMENT, narrow sprocket (7.5 pitch) (See NOTE 3) 2512 and up (Consists of - 2 SPROCKET 662 858 C1 20 SCREW 25 693 R1 20 WASHER 277 606 R1)



CE-105829

1	705 173 C1	SECTOR, guard ring (2) 1627 to 2061
	25 272 R1	SCREW, hex-hd cap (8)
1	659 642 C1	SECTOR, guard ring (2) 2062 and up
	25 272 R1	SCREW, hex-hd cap (8)
	629 746 C91	ATTACHMENT, guard ring sector (Consists of two SECTOR, 659 642 C1 and eight SCREW, 25 272 R1) (See NOTES 1 and 3) 2062 and up

NOTE: 1 Factory Application - Order On
Machine Order Form.

NOTE 3: Field application - Order through
regular parts channels.

**REFER TO ALPHABETICAL INDEX
FOR COMPLETE LISTING OF PARTS**

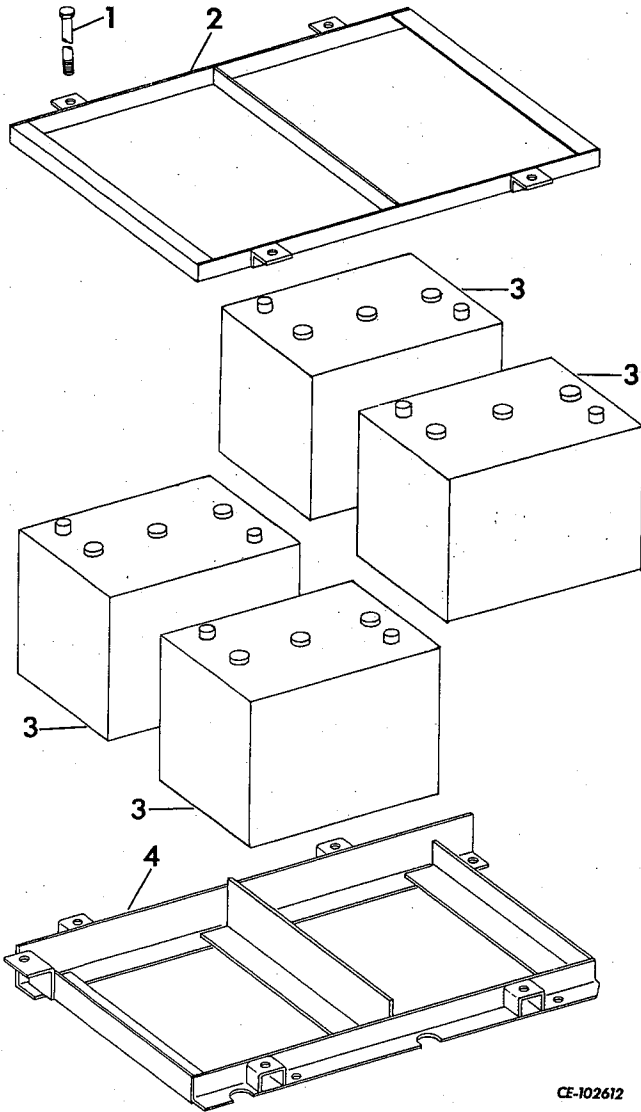
ELECTRICAL

8

ELECTRICAL

REF. NO.	PART NUMBER	DESCRIPTION	REF. NO.	PART NUMBER	DESCRIPTION
----------	-------------	-------------	----------	-------------	-------------

BATTERIES AND MOUNTING



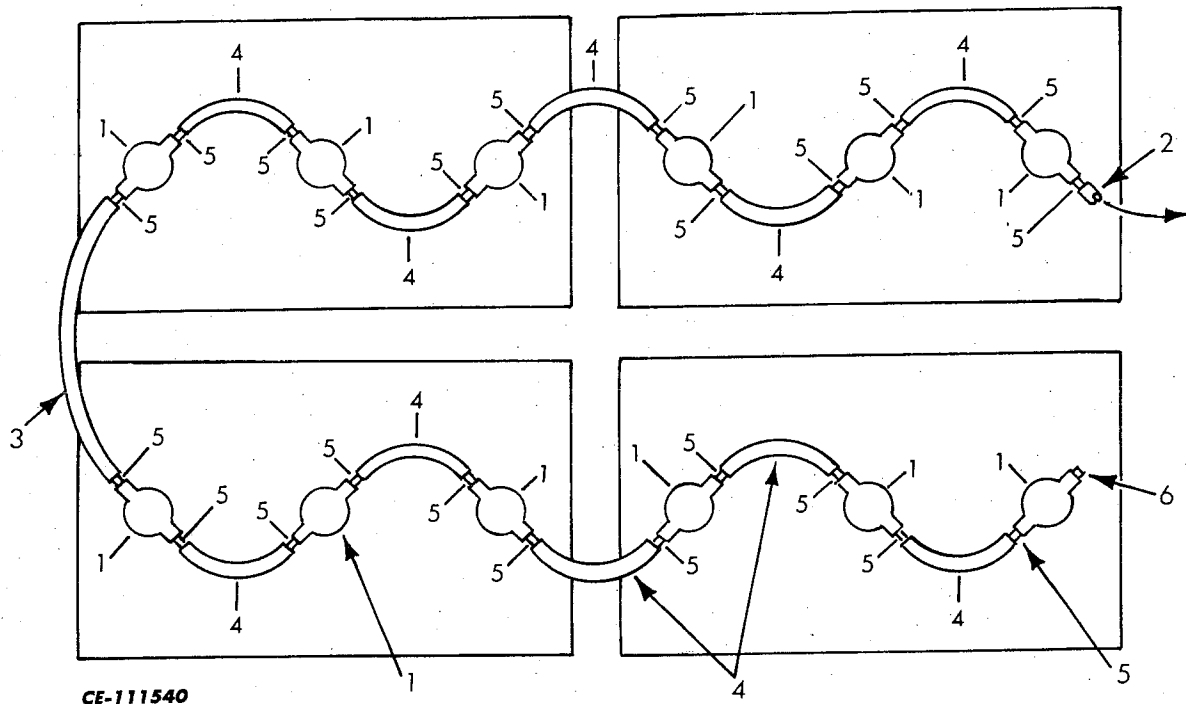
1	25 759 R1 115 093 25 535 R1	BOLT, battery holddown (4) WASHER, lock (4) WASHER, flat (4)
2	603 481 C91	FRAME, battery holddown
3	IHPF2	BATTERY (6 volt)(Dry Charge) (4)
4	603 478 C91 25 524 R1 24 840 R1 70 427 R1 115 314 25 534 R1 25 535 R1 115 093	SUPPORT, battery NUT (2) SCREW, 3/8" hex-hd cap (2) SCREW, 7/16" hex-hd cap (2) WASHER, 7/16" lock (2) WASHER, 15/32" flat (2) WASHER, 7/16" flat (2) WASHER, 3/8" lock (2)

CE-102612

ELECTRICAL

REF. NO.	PART NUMBER	DESCRIPTION	REF. NO.	PART NUMBER	DESCRIPTION
----------	-------------	-------------	----------	-------------	-------------

BATTERY BOX VENTING (Used w/Machines Equipped w/Cab)



710 463 C91 ATTACHMENT, battery box venting
(See NOTE 2)

- 1 668 100 C1 COVER, battery venting cap (12)
- 2 668 114 C1 HOSE (60" long)
- 3 668 102 C1 HOSE (6" long)
- 4 668 101 C1 HOSE (4" long) (10)
- 5 668 104 C1 CONNECTOR, hose (23)
- 6 668 103 C1 PLUG

NOTE 2: Field Application - Order on Machine Order Form.

ELECTRICAL

REF. NO.	PART NUMBER	DESCRIPTION	REF. NO.	PART NUMBER	DESCRIPTION
ELECTRIC STARTING AND LIGHTING – Continued (For Manual Shift and Custom Applications Not Equipped with Cab) 3386 and below			23	650 668 C1	CABLE, fender connector to fender connector
<u>CABLES</u>			24	650 664 C1	CABLE, fender connector to rear lamp connector (Dark Blue)
1	297 909 R92	CABLE, frame terminal on cranking motor to tapped hole in frame in front of cranking motor	25		CABLE, magnetic switch to engine oil pressure switch (%)
	138 549	WASHER, int. tooth lock (2)	26		CABLE, dash connector to "H" terminal on light switch (Dark Green) (*)
2	650 632 C1	CABLE, master switch to negative terminal on battery	27		CABLE, dash connector to positive terminal on ammeter (Red) (*)
3	624 397 C2	CABLE, battery to battery long	28		CABLE, dash connector to starting switch (Black/Red) (*)
4	253 738 R92	CABLE, battery to battery short (2)	29		CABLE, dash connector to "R" terminal on light switch (Dark Blue) (*)
5	650 657 C2	CABLE, positive terminal on battery to "B" terminal on solenoid	30		CABLE, dash connector to instrument panel ground screw (*)
6	345 582 R92	CABLE, master switch to frame terminal on solenoid	31		CABLE, starting switch to positive terminal on ammeter (Red) (*)
7		CABLE, "B" terminal on solenoid to magnetic switch (Red) (%)	34		CABLE, starting switch to circuit breaker (Orange) (*)
8		CABLE, dash connector to "B" terminal on alternator (Brown) (%)	35		CABLE, circuit breaker to "B" terminal on light switch (Orange) (*)
9		CABLE, "B" terminal on solenoid to dash connector (Red) (%)	36		CABLE, dash connector to negative terminal on ammeter (Brown) (*)
10		CABLE, "S" terminal on solenoid to magnetic switch (White) (%)	37		CABLE, instrument panel lamp to "H" terminal on light switch (Order PACKAGE, 603 467 C91) (2)
11		CABLE, fender connector to magnetic switch (White) (%)	38	650 651 C1	CABLE, front lamp connector to RH front lamp (\$)
12		CABLE, magnetic switch to regulator mounting bolt ground (%)	39	703 060 C1	CABLE, RH front lamp to LH front lamp (Not for machines equipped with ROPS Front Sweep) (\$)
13		CABLE, magnetic switch to ground terminal on alternator ground (%)	39	663 113 C1	CABLE, RH front lamp to LH front lamp (For machines equipped with ROPS Front Sweep Attachment) (\$)
14		CABLE, dash connector to fender connector (Black/Red) (%)	40	621 834 C1	CABLE, rear lamp connector to LH rear lamp (\$)
15		CABLE, No. two terminal on alternator to "F" terminal on regulator (Light Green) (%)			
16		CABLE, No. two terminal on regulator to engine oil pressure switch (Light Blue) (%)			
17		CABLE, No. three terminal on regulator to magnetic switch (Orange) (%)			
18		CABLE, dash connector on regulator mounting bolt ground (%)			
19		CABLE, dash connector to front lamp connector (Dark green) (%)			
20		CABLE, dash connector to fender connector (Dark Blue) (%)			
21		CABLE, No. one terminal on alternator – dummy cable (%)			

(%) - Order MAIN HARNESS.
 (*) - Order INSTRUMENT HARNESS.
 (\$) - Part of Electrical Lighting Attachment.

ELECTRICAL

REF. NO.	PART NUMBER	DESCRIPTION	REF. NO.	PART NUMBER	DESCRIPTION
ELECTRIC STARTING AND LIGHTING — Continued (For Manual Shift and Custom Applications Not Equipped with Cab) 3386 and below			114		SWITCH, master (Refer to "MASTER SWITCH")
<u>CABLES — Continued</u>			115		LIGHT ASSY., LH rear (Refer to "HEADLIGHT and REAR LIGHT") (\$)
41	650 653 C1	CABLE, rear lamp connector to RH rear lamp (@) (\$)	116		LIGHT ASSY., RH rear auxiliary (Refer to "HEADLIGHT, REAR LIGHT and AUXILIARY REAR LIGHT") (@)
42	283 983 R91	CONNECTOR, rear lamp cable "Y" (\$)	117		ATTACHMENT, back-up alarm (Refer to "ALARM BACK-UP")
43	709 155 C1	CABLE, hourmeter to engine oil pressure switch 3337 to 3386	118	709 145 C2 OR	HOURMETER 3337 to 3386
44	271 066 R92	CABLE, hourmeter to ground 3337 to 3386	118	715 916 C1	HOURMETER
<u>MAIN COMPONENTS</u>			<u>CLIPS AND CLAMPS</u>		
101		LIGHT ASSY., RH and LH front (Refer to "HEADLIGHT and REAR LIGHT") (\$)	A	299 410 C1	CLAMP, instrument harness (On LH bolt of water temperature gauge)
102		MOTOR ASSY., cranking (Refer to Engine Parts Catalog EPC-400)	B		CLIP, welded
103		ALTERNATOR ASSY., (Refer to Engine Parts Catalog EPC-400)	C	267 787 R91	CLIP, (on front MTG bolt of Governor Pivot Bracket)
104	663 392 C1	SWITCH, engine oil pressure	D		CLIP, welded
105	706 125 C1 120 376 120 614 171 034 25 222 R1 174 878	SWITCH, magnetic NUT, 5/16" (4) NUT, No. 10 (4) SCREW, 1" long hex-hd cap (2) SCREW, 3/4" long hex-hd cap (2) WASHER, 1/4" int. tooth lock (2)	E	366 460 R1	CLIP, main harness (On LH mounted bolt of pressure tube junction block)
	120 214 120 217	WASHER, 5/16" lock (4) WASHER, No. 10 lock (4)	F		CLIP, welded
106		REGULATOR, voltage (Refer to "VOLTAGE REGULATOR")	G	604 388 C91	CLIP, main harness (on top mounting bolt of magnetic switch)
107		SWITCH, starting (Refer to "STARTING SWITCH")	H		CLIP, welded (2)
108		AMMETER (Refer to "INSTRUMENT and INSTRUMENT PANEL")	J	263 717 R91	CLIP, fender connector to rear lamp connector cable (On LH rear bolt of seat frame support cross bar)
109		SWITCH, lighting (Refer to "LIGHTING SWITCH")	K	604 388 C91	CLIP, master switch to solenoid (On LH top bolt of clutch housing (Under lug)
110		LAMP, instrument panel (Order PACKAGE, 603 467 C91)	L	264 164 R91	CLIP, rear lamp cable (On LH bottom bolt of battery support frame)
111	124 087 H1 110 633 110 490 106 497	BREAKER, circuit (15 amp) NUT (2) SCREW, fil-hd-slt (2) WASHER, lock (2)	M		CLIP, welded (Custom Application)
112		LAMP, instrument panel (Order PACKAGE, 603 467 C91)	N		CLIP, welded (Manual Shift)
113		BATTERIES (Refer to "BATTERY and BATTERY SUPPORT") (4)	P	362 120 R1	CLIP, RH front lamp cable (On RH bottom, center and top fan shroud mounting bolts) (3)
			Q	263 717 R91	CLIP, front lamp cable (On lamp swivel bolts) (\$) (2)
				(@) -	Part of RH auxiliary rear lamp attachment.
				(\$)	Part of electrical lighting attachment.

ELECTRICAL

REF. NO.	PART NUMBER	DESCRIPTION	REF. NO.	PART NUMBER	DESCRIPTION
ELECTRIC STARTING AND LIGHTING – Continued (For Manual Shift and Custom Applications Not Equipped with Cab) 3386 and below					
<u>MISCELLANEOUS – Continued</u>					
663 156 C91		ATTACHMENT, electric lighting (For use on machines equipped with ROPS Canopy but not with Front Sweep attachment) (See NOTE 3) (Consists of -	628 247 C92		ATTACHMENT, RH auxiliary rear lamp (Not for machines equipped w/260 Rear Cable Control Unit or ROPS Canopy) (See NOTE 4) (Consists of -
	1	BRACKET 651 948 C1		1	CABLE 650 653 C1
	1	CABLE 650 651 C1		2	CLIP 362 120 R1
	1	CABLE 703 060 C1		1	CLIP 263 514 R91
	1	CABLE 621 834 C1		1	CLIP 362 120 R1
	2	CLIP 263 717 R91		1	GUARD 651 628 C1
	1	CLIP 263 514 R91		1	LAMP 338 814 R91
	2	GROMMET 338 065 R1		2	NUT 120 371
	2	GUARD 624 359 C2		4	NUT 271 500
	3	LAMP 338 814 R91		4	SCREW 179 860
	3	LOCKWASHER 138 530		1	SCREW 181 709
	2	NUT 271 500		1	SWIVEL 303 706 R1
	6	NUT 120 371		4	WASHER 25 637 R1
	3	SCREW 181 709		4	WASHER 103 322
	10	SCREW 179 860		2	WASHER 120 384)
	3	SWIVEL 303 706 R1			
	2	WASHER 103 322	663 145 C91		ATTACHMENT, RH rear auxiliary lamp (For use on machines equipped with ROPS canopy and electric lighting) (See NOTE 4)
	8	WASHER 103 342			(Consists of -
	2	WASHER 25 637 R1		1	BRACKET 651 948 C1
	6	WASHER 120 384)		1	CABLE 650 653 C1
632 304 C91		ATTACHMENT, electric lighting (For use on machines equipped with ROPS Front Sweep attachment) (See NOTE 3) (Consists of -		1	CLIP 263 514 R91
	1	BRACKET 651 948 C1		3	CLIP 362 120 R1
	1	CABLE 650 653 C1		1	LAMP 338 814 R91
	1	CABLE 663 113 C1		2	NUT 120 371
	1	CABLE 621 834 C1		2	NUT 271 500
	1	CLIP 263 514 R91		1	SCREW 181 709
	2	CLIP 276 956 R91		2	SCREW 179 860
	1	DRAWING CZG-1330		1	SWIVEL 303 706 R1
	1	GROMMET 338 065 R1		2	WASHER 25 637 R1
	1	GUARD 663 058 C1		2	WASHER 120 384)
	3	LAMP 338 814 R91			
	3	LOCKWASHER 138 530			
	2	NUT 271 500			
	6	NUT 120 371			
	6	SCREW 179 860			
	3	SCREW 181 709			
	3	SWIVEL 303 706 R1			
	6	WASHER 103 322			
	4	WASHER 103 342			
	2	WASHER 25 637 R1			
	6	WASHER 120 384)			

NOTE 3 - Field Application - Order through Regular Parts Channels.

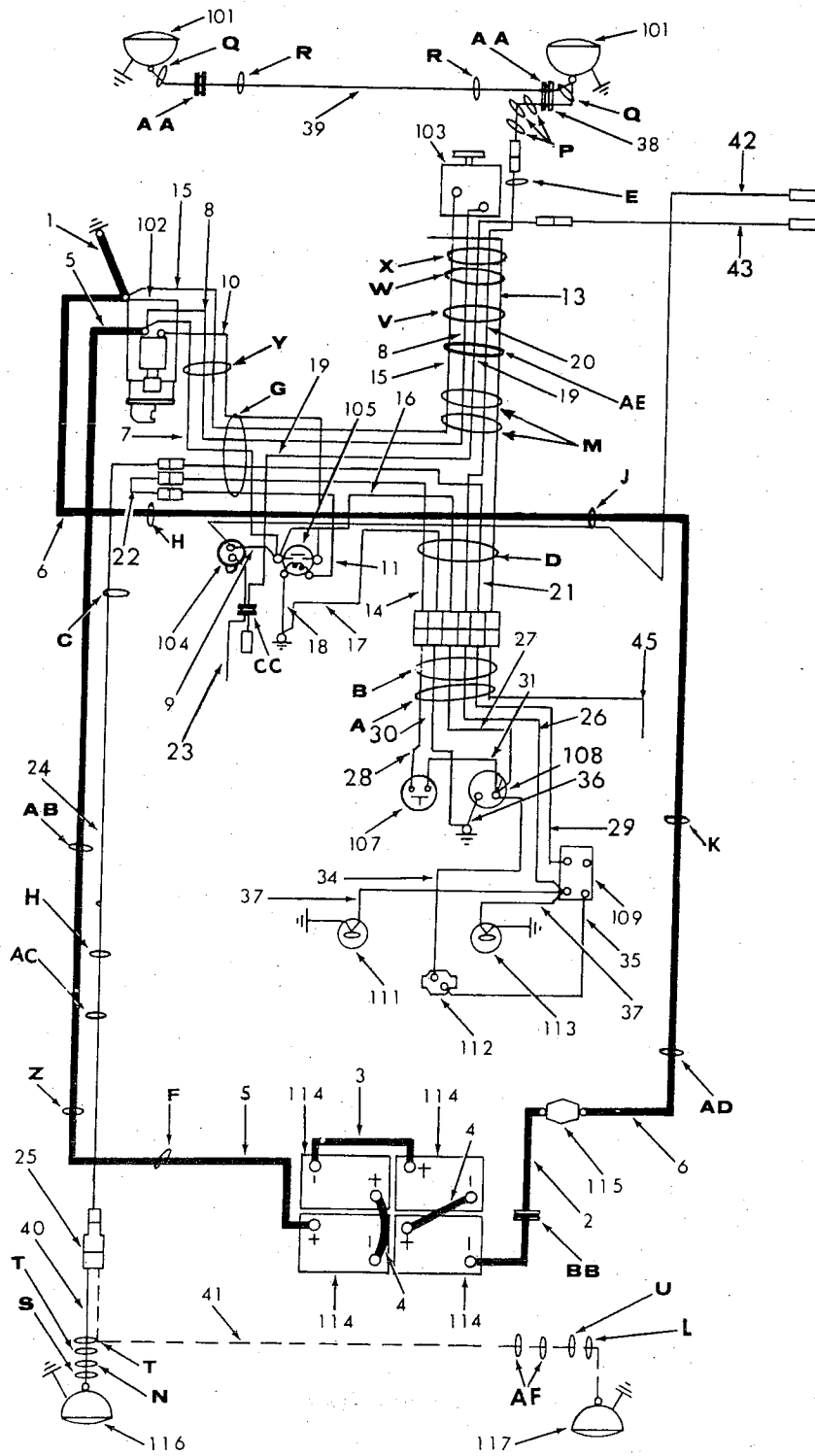
NOTE 4 - Attachment No Longer Available. Service Parts Will Be Furnished.

ELECTRICAL

MEMORANDA

ELECTRICAL

ELECTRIC STARTING AND LIGHTING
(For Manual Shift Equipped with Cab)
3386 and below



CE110428B

ELECTRICAL

REF. NO.	PART NUMBER	DESCRIPTION	REF. NO.	PART NUMBER	DESCRIPTION
ELECTRIC STARTING AND LIGHTING — Continued (For Manual Shift Equipped with Cab) 3386 and below			17		CABLE, dash connector to magnetic switch mounting bolt (%)
<u>CABLES</u>			18		CABLE, magnetic switch to magnetic switch mounting bolt (%)
1	297 909 R92	CABLE, frame terminal on cranking motor to tapped hole in front frame	19		CABLE, magnetic clutch connector to cab magnetic clutch connector (Black/Orange) (Only used on Air Conditioned Cabs) (Part of main HARNESS, 632 317 C1)
	138 549	WASHER, int. tooth lock (2)	19	709 130 C1	CABLE, magnetic clutch connector to cab magnetic clutch connector (Only used on Air Conditioned Cabs) (+)
2	650 632 C1	CABLE, master switch to negative terminal on battery	20		CABLE, dash connector to front lamp connector (Dark Blue) (%)
3	624 397 C2	CABLE, battery to battery long	21		CABLE, dash connector to fender connector (Pink) (%)
4	253 738 R92	CABLE, battery to battery short (2)	22	650 668 C1	CABLE, fender connector to fender connector
5	650 657 C2	CABLE, positive terminal on battery to "B" terminal on solenoid	23		CABLE, cab circuit breaker to cab (To be supplied by cab vendor)
6	345 582 R92	CABLE, master switch to frame terminal on solenoid	24	650 664 C1	CABLE, fender connector to rear lamp connector (Pink)
7		CABLE, "B" terminal on solenoid to "H" terminal on magnetic switch (Red) (%)	25	283 983 R91	"Y" CONNECTOR
8		CABLE, "B" terminal on solenoid to output on alternator (Red) (%)	26		CABLE, dash connector to "H" terminal on light switch (Dark Blue) (*)
9		CABLE, cab circuit breaker to magnetic switch (Red) (Part of HARNESS, 632 317 C1)	27		CABLE, dash connector to positive terminal on voltmeter (Red) (*)
9	709 129 C1	CABLE, cab circuit breaker to magnetic switch (+)	28		CABLE, dash connector to starting switch (Black/Red) (*)
10		CABLE, "S" terminal on solenoid to magnetic switch (White) (%)	29		CABLE, dash connector to "R" terminal on light switch (Pink) (*)
11		CABLE, fender connector to magnetic switch (White) (%)	30		CABLE, dash connector to instrument panel ground screw (*)
12		NOT USED	31		CABLE, starting switch to positive terminal on voltmeter (Red) (*)
13		CABLE, tapped back (Light Blue) (Part of main HARNESS, 706 047 C3)	34		CABLE, positive on voltmeter to circuit breaker (Orange) (*)
14		CABLE, dash connector to fender connector (Black/Red) (%)	35		CABLE, circuit breaker to "B" terminal on light switch (Orange) (*)
15		CABLE, ground terminal on alternator to frame terminal on cranking motor (%)			
16		CABLE, dash connector to cab circuit breaker (Red) (Part of main HARNESS, 632 317 C1)			
16		CABLE, dash connector to "H" terminal on magnetic switch (Red) (Order main HARNESS, 706 047 C3)			

(%) - Order MAIN HARNESS

(*) - Order INSTRUMENT HARNESS

(+) - Part of Heavy Duty Alternator Attachment

ELECTRICAL

REF. NO.	PART NUMBER	DESCRIPTION	REF. NO.	PART NUMBER	DESCRIPTION
ELECTRIC STARTING AND LIGHTING – Continued (For Manual Shift Equipped with Cab) 3386 and below			109		SWITCH, lighting (Refer to "LIGHT- ING SWITCH")
<u>CABLES - Continued</u>			111	650 381 C2	LAMP, instrument panel (+)
36		CABLE, negative on voltmeter to instrument panel ground screw (*)	112	124 087 H1	BREAKER, circuit (15 amp)
37		CABLE, instrument panel lamp to "H" terminal on light switch (Part of LAMP, 650 381 C2) (+) (2)	110 633		NUT (2)
38	650 651 C1	CABLE, front lamp connector to RH front lamp (\$)	110 490		SCREW, fil-hd-slt (2)
39	703 060 C1	CABLE, RH front lamp to LH front lamp (\$)	106 497		WASHER, lock (2)
40	621 834 C1	CABLE, rear lamp connector to LH rear lamp (\$)	113	650 381 C2	LAMP, instrument panel (+)
41	650 653 C1	CABLE, rear lamp connector to RH rear lamp (@)	114		BATTERIES (Refer to "BATTERY and BATTERY SUPPORT") (4)
42	635 578 C1	CABLE, circuit breaker to air conditioner power connector ORANGE (Part of ATTACHMENT 710 462 C91)	115		SWITCH, master (Refer to "MASTER SWITCH")
43	635 577 C1	CABLE, magnetic clutch connector to air conditioner connector BLACK/ORANGE (Part of ATTACHMENT, 710 462 C91)	116		LIGHT ASSY., LH rear (Refer to "HEADLIGHT and REAR LIGHT") (\$)
44		NOT USED	117		LIGHT ASSY., RH rear auxiliary (Refer to "HEADLIGHT, REAR LIGHT and AUXILIARY REAR LIGHT) (@)
45		CABLE, tapped back (Light Blue) (*)	<u>CLIPS AND CLAMPS</u>		
<u>MAIN COMPONENTS</u>			A	299 410 C1	CLAMP, instrument harness (On LH bolt of water temperature gauge)
101		LIGHT ASSY., RH and LH front (Refer to "HEADLIGHT") (\$)	B		CLIP, welded
102		MOTOR ASSY., cranking (Refer to Engine Parts Catalog, EPC-400)	C	363 444 R1	CLIP, on fender
103	690 479 C91	ALTERNATOR ASSY., (Replaces, 683 728 C91) (IH Heavy Duty)(For components see list of parts in "Engine Parts Catalog EPC-400")(+)	D		CLIP, welded
	683 729 C1	PULLEY, alternator (+)	E	362 120 R1	CLIP, main harness (On bottom screw of water pump manifold)
104	213 383 H1	BREAKER, circuit (50 amp) (+)	F	308 581 R1	CLIP, battery terminal (On bottom RH screw of control tower cover)
	120 361	NUT (2)	G	622 963 C1	CLIP, main harness (On bottom mounting bolt of magnetic switch) (+)
	436 574	SCREW, hex-hd cap (2)	H	604 388 C91	CLIP (on LH top bolt of clutch housing – under lug)
	121 801	WASHER, internal tooth (2)	J	604 388 C91	CLIP (on RH rear bolt of center platform support)
105	706 125 C2	SWITCH, magnetic			
	120 376	NUT, 5/16" (4)			
	120 614	NUT, No. 10 (4)			
	171 034	SCREW, 1" long hex-hd cap (2)			
	25 222 R1	SCREW, 3/4" long hex-hd cap (2)			
	174 878	WASHER, 1/4" int. tooth lock (2)			
	120 214	WASHER, 5/16" lock (4)			
	120 217	WASHER, No. 10 lock (4)			
106		NOT USED			
107		SWITCH, starting (Refer to "START- ING SWITCH")			
108		VOLTMETER (Refer to "INSTRU- MENT and INSTRUMENT PANEL") (+)			

(+) - Part of Heavy Duty Alternator Attachment.
 (@) - Part of RH auxiliary rear lamp attachment.
 (\$) - Part of electric lighting attachment.
 (*) - Order INSTRUMENT HARNESS.

ELECTRICAL

REF. NO.	PART NUMBER	DESCRIPTION	REF. NO.	PART NUMBER	DESCRIPTION
ELECTRIC STARTING AND LIGHTING – Continued (For Manual Shift Equipped with Cab) 3386 and below			AD	267 787 R91	CLIP, master switch to cranking motor cable (On RH bottom bolt to seat frame support cross bar)
<u>CLIPS AND CLAMPS - Continued</u>			AE	702 093 C1	STRAP (cable No. 19 to main harness) (+) (10)
K	616 282 C1	CLIP (on top bolt on shift housing – behind shift lever)	AF	362 120 R1	CLIP (on top and bottom rear bolts of seat side sheet) (@) (2)
L	263 514 R91	CLIP (on rear inner bolt of lamp bracket) (@)	<u>GROMMETS</u>		
M		CLIP, welded	AA	338 065 R1	GROMMET, front lamp cable (On sides of radiator guard top header) (2) (\$)
N		CLIP, welded	BB	112 745	GROMMET (On RH seat side sheet) (On hydraulic application only)
P	362 120 R1	CLIP, RH front lamp cable (On RH bottom, center and top fan shroud mounting bolts) (3)	CC	63 323 D	GROMMET (on LH side of dash) (+)
Q	263 717 R91	CLIP, front lamp cable (On lamp swivel bolts) (\$) (2)	<u>HARNESS</u>		
R		CLIP, welded (2)			
S	263 514 R91	CLIP, lamp cable (On rear inner bolt of lamp bracket) (\$)	632 317 C1		HARNESS, main (Consists of Ref. Nos. 7 thru 12 and 14 thru 21) (Order HARNESS 706 047 C1, CABLE 709 129 C1 and CABLE 709 130 C1)
T	362 120 R1	CLIP, rear lamp cable (On top and bottom rear bolts of seat side sheet) (2)	740 707 C1		HARNESS (Replaces, 706 047 C3) main (Consists of Ref. Nos. 7,8,10 thru 18, 20 and 21) (+)
U	362 120 R1	CLIP, lamp cable (On top inner bolt on front of fuel tank) (@)	121 743		NUT
V	103 213 H	CLIP (On center bolt on lube filter manifold bottom)	121 744		WASHER, No. 12 flat
W	399 657 R1	CLIP (On breather tube front mounting bolt)	120 217		WASHER, No. 19 flat
X	399 657 R1	CLIP (On alternator bracket rear mounting bolt)	668 189 C2		HARNESS, instrument (Consists of Ref. Nos. 26 thru 31, 34, 35, 36 and 45) (+)
Y	363 444 R1	CLIP, main harness (On tapped hole on front frame above cranking motor)	115 999		NUT, No. 10 (2)
	24 838 R1	SCREW, hex-hd cap	25 662 R1		SCREW
	115 093	WASHER, lock	115 707		WASHER, lock
Z	616 282 C1	CLAMP, battery to solenoid cable (On rear bottom bolt of transmission filter mounting bracket)	178 387		WASHER, int-ext tooth lock (2)
	24 838 R1	SCREW, hex-hd cap			
	115 093	WASHER, lock			
AB	308 581 R1	CLAMP, battery to solenoid cable (On hydraulic cooler hose clamp on LH fender)			
AC	263 717 R91	CLIP (on LH rear bolt of seat frame support cross bar)			

(+) - Part of Heavy Duty Alternator Attachment.
 (@) - Part of RH auxiliary rear lamp attachment.
 (\$) - Part of electric lighting attachment.

ELECTRICAL

REF. NO.	PART NUMBER	DESCRIPTION	REF. NO.	PART NUMBER	DESCRIPTION
----------	-------------	-------------	----------	-------------	-------------

ELECTRIC STARTING AND LIGHTING – Continued
 (For Manual Shift Equipped with Cab)
 3386 and below

MISCELLANEOUS

663 156 C91	ATTACHMENT, electric lighting (See NOTE 3) (Consists of -	
	1 BRACKET	651 948 C1
	1 CABLE	650 651 C1
	1 CABLE	703 060 C1
	1 CABLE	621 834 C1
	2 CLIP	263 717 R91
	1 CLIP	263 514 R91
	2 GROMMET	338 065 R1
	2 GUARD	624 359 C2
	3 LAMP	338 814 R91
	3 LOCKWASHER	138 530
	2 NUT	271 500
	6 NUT	120 371
	3 SCREW	181 709
	10 SCREW	179 860
	3 SWIVEL	303 706 R1
	10 WASHER	103 322
	8 WASHER	103 342
	2 WASHER	25 637 R1
	6 WASHER	120 384)

709 302 C91	ATTACHMENT, heavy duty alternator (See NOTE 3) (Consists of -	
	1 ALTERNATOR	690 479 C91
	2 BOLT	436 574
	1 BREAKER	213 383 H1
	1 CABLE	709 129 C1
	1 CABLE	709 130 C1
	2 CLIP	604 388 C91
	1 CLIP	622 963 C1
	1 GROMMET	63 323 D
	1 HARNESS	668 189 C2
	1 HARNESS	740 707 C1
	2 LAMP	650 381 C2
	2 NUT	120 361
	1 PLUG	444 571
	1 PULLEY	683 729 C1
	10 STRAP	702 093 C1
	1 TAG	1 085 499 R2
	1 VOLTMETER	651 688 C2
	2 WASHER	121 801)

663 145 C91	ATTACHMENT, RH rear auxiliary lamp (See NOTE 4) (Consists of -	
	1 BRACKET	651 948 C1
	1 CABLE	650 653 C1
	1 CLIP	263 514 R91
	3 CLIP	362 120 R1
	1 LAMP	338 814 R91
	2 NUT	120 371
	2 NUT	271 500
	1 SCREW	181 709
	2 SCREW	179 860
	1 SWIVEL	303 706 R1
	2 WASHER	25 637 R1
	2 WASHER	120 384)

NOTE 3 - Field Application - Order through Regular Parts Channels.

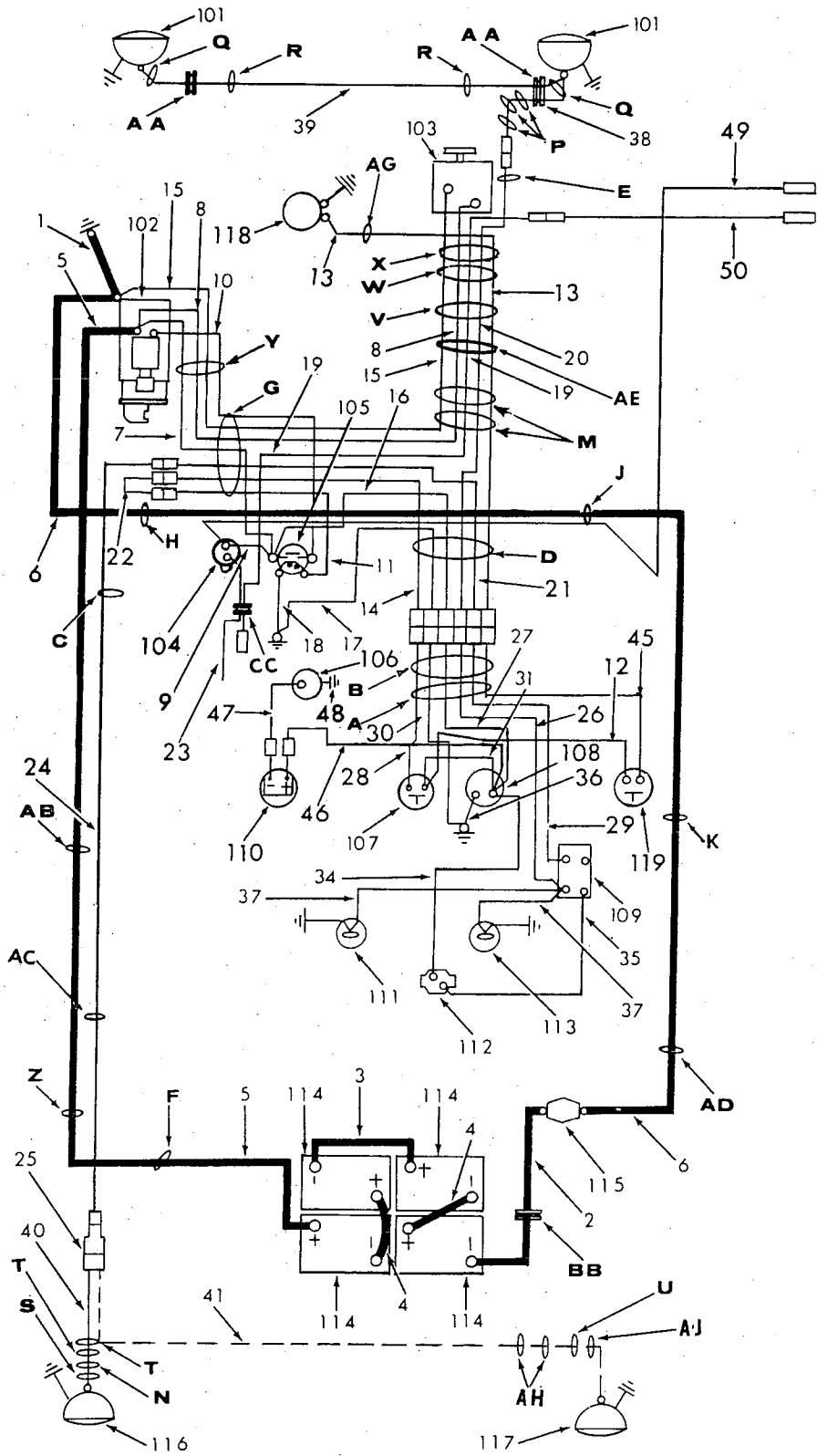
NOTE 4 - Attachment No Longer Available. Service Parts Will Be Furnished.

ELECTRICAL

MEMORANDA

ELECTRICAL

ELECTRIC STARTING AND LIGHTING
 (For Manual Shift and Custom Applications)
 3387 to 4180



CE-113782 A

ELECTRICAL

REF. NO.	PART NUMBER	DESCRIPTION	REF. NO.	PART NUMBER	DESCRIPTION
ELECTRIC STARTING AND LIGHTING - Continued (For Manual Shift and Custom Applications) 3387 to 4180			19	709 130 C1	CABLE, magnetic clutch connector to cab magnetic clutch connector (Black & Orange) (Cable used on air conditioning cab only) (+)
<u>CABLES</u>					
1	297 909 R92	CABLE, frame terminal on cranking motor to safety filter mounting bracket	20		CABLE, dash connector to front lamp connector (Dark Blue) (%)
	138 549	WASHER, int. tooth lock (2)	21		CABLE, dash connector to fender connector (Pink) (%)
2	650 632 C1	CABLE, master switch to negative terminal on battery	22	650 668 C1	CABLE, fender connector to fender connector
3	624 397 C2	CABLE, battery to battery long	23		CABLE, cab circuit breaker to cab (To be supplied by cab vendor)
4	253 738 R92	CABLE, battery to battery short (2)	24	650 664 C1	CABLE, fender connector to rear lamp connector (Pink)
5	650 657 C2	CABLE, positive terminal on battery to "B" terminal on solenoid	25	283 983 R91	"Y" CONNECTOR
6	345 582 R92	CABLE, master switch to frame terminal on solenoid	26		CABLE, dash connector to "H" terminal on light switch (Dark Blue) (*)
7		CABLE, "B" terminal on solenoid to "H" terminal on magnetic switch (Red) (%)	27		CABLE, dash connector to positive terminal on voltmeter (Red) (*)
8		CABLE, "B" terminal on solenoid to output on alternator (Red) (%)	28		CABLE, dash connector to starting switch (Black/Red) (*)
9	709 129 C1	CABLE, cab circuit breaker to magnetic switch (Only used on machines equipped w/Cab) (+)	29		CABLE, dash connector to "R" terminal on light switch (Pink) (*)
10		CABLE, "S" terminal on solenoid to magnetic switch (White) (%)	30		CABLE, dash connector to instrument panel ground screw (*)
11		CABLE, fender connector to magnetic switch (White) (%)	31		CABLE, starting switch to positive terminal on voltmeter (Red) (*)
12		CABLE, start switch to ether switch (White) (Refer to "Ether Injector - Electric")	34		CABLE, positive on voltmeter to circuit breaker (Orange) (*)
13		CABLE, dash connector to ether valve (Light Blue) (%)	35		CABLE, circuit breaker to "B" terminal on light switch (Orange) (*)
14		CABLE, dash connector to fender connector (Black/Red) (%)			
15		CABLE, ground terminal on alternator to frame terminal on cranking motor (%)			
16		CABLE, dash connector to "H" terminal on magnetic switch (Red) (%)			
17		CABLE, dash connector to magnetic switch mounting bolt (%)			
18		CABLE, magnetic switch to magnetic switch mounting bolt (%)			

- (&) - Order SAFETY STARTING SWITCH HARNESS
- (%) - Order MAIN HARNESS
- (*) - Order INSTRUMENT HARNESS
- (+) - Part of Heavy Duty Alternator Attachment

ELECTRICAL

REF. NO.	PART NUMBER	DESCRIPTION	REF. NO.	PART NUMBER	DESCRIPTION
ELECTRIC STARTING AND LIGHTING — Continued (For Manual Shift and Custom Applications) 3387 to 4180			105	706 125 C2	SWITCH, magnetic
				120 376	NUT, 5/16" (4)
				120 614	NUT, No. 10 (4)
				171 034	SCREW, 1" long hex-hd cap (2)
				25 222 R1	SCREW, 3/4" long hex-hd cap (2)
				174 878	WASHER, 1/4" int. tooth lock (2)
				120 214	WASHER, 5/16" lock (4)
				120 217	WASHER, No. 10 lock (4)
<u>CABLES - Continued</u>			106		SWITCH, engine oil pressure (Refer to "Gauge Piping")
36		CABLE, negative on voltmeter to instrument panel ground screw (*)	107		SWITCH, starting (Refer to "STARTING SWITCH")
37		CABLE, instrument panel lamp to "H" terminal on light switch (Part of LAMP, 650 381 C2) (2)	108		VOLTMETER (Refer to "INSTRUMENT and INSTRUMENT PANEL")
38	650 651 C1	CABLE, front lamp connector to RH front lamp (\$)	109		SWITCH, lighting (Refer to "LIGHTING SWITCH")
39	703 060 C1	CABLE, RH front lamp to LH front lamp (\$)	110		HOURLMETER (Refer to "Instrument Panel and Gauges")
40	621 834 C1	CABLE (Replaces, 650 652 C1), rear lamp connector to LH rear lamp (\$)	111	650 381 C2	LAMP, instrument panel
41	650 653 C1	CABLE, rear lamp connector to RH rear lamp (@)	112	124 087 H1	BREAKER, circuit (15 amp)
42		NOT USED		110 633	NUT (2)
43		NOT USED		110 490	SCREW, fil-hd-slt (2)
44		NOT USED		106 497	WASHER, lock (2)
45		CABLE, dash connector to ether start switch (Light Blue) (*)	113	650 381 C2	LAMP, instrument panel
46	709 064 C1	CABLE, voltmeter (pos) to hourmeter (pos) connector	114		BATTERIES (Refer to "BATTERY and BATTERY SUPPORT") (4)
47	709 155 C1	CABLE, hourmeter (neg) to engine oil pressure switch	115		SWITCH, master (Refer to "MASTER SWITCH")
48	650 407 C1	CABLE, engine oil pressure switch to junction block mounting bolt (Not used with internal grounded pressure switch)	116		LIGHT ASSY., LH rear (Refer to "HEADLIGHT and REAR LIGHT") (\$)
		3387 to #	117		LIGHT ASSY., RH rear auxiliary (Refer to "HEADLIGHT, REAR LIGHT and AUXILIARY REAR LIGHT") (@)
49	635 578 C1	CABLE, circuit breaker to air conditioner power connector ORANGE (Part of ATTACHMENT 710 462 C91)	118		VALVE, ether starting (Refer to "ETHER INJECTOR - Electric")
50	635 577 C1	CABLE, magnetic clutch connector to air conditioner connector BLACK/ORANGE (Part of ATTACHMENT, 710 462 C91)	119		SWITCH, ether starting (Refer to "ETHER INJECTOR - Electric")
<u>MAIN COMPONENTS</u>			<u>CLIPS AND CLAMPS</u>		
101		LIGHT ASSY., RH and LH front (Refer to "HEADLIGHT") (\$)	A	299 410 C1	CLAMP, instrument harness (On LH bolt of water temperature gauge)
102		MOTOR ASSY., cranking (Refer to Engine Parts Catalog, EPC-400)	B		CLIP, welded
103		ALTERNATOR ASSY. (Delco) (For components see list of parts in "Engine Parts Catalog EPC-400")	C	358 902 R1	CLIP, on top front bolt of decelerator mounting bracket
103	690 479 C91	ALTERNATOR ASSY. (1H Heavy Duty) (For components see list of parts in "Engine Parts Catalog EPC-400") (+)	D		CLIP, welded
	683 729 C1	PULLEY, alternator (+)	E	362 120 R1	CLIP, main harness (On bottom screw of water pump manifold)
104	213 383 H1	BREAKER, circuit (50 amp) (+)	F	308 581 R1	CLIP, battery terminal (On bottom RH screw of control tower cover)
	120 361	NUT (2)	G	604 388 C91	CLIP, main harness (On top mounting bolt of magnetic switch)
	436 574	SCREW, hex-hd cap (2)	H	604 388 C91	CLIP (on LH top bolt of clutch housing — under lug)
	121 801	WASHER, internal tooth (2)	J	604 388 C91	CLIP (on RH rear bolt of center platform support)

(+) - Part of Heavy Duty Alternator Attachment.
 (*) - Order INSTRUMENT HARNESS
 (@) - Part of RH auxiliary rear lamp attachment.
 (\$) - Part of electric lighting attachment
 # - Serial Number Not Available.

ELECTRICAL

REF. NO.	PART NUMBER	DESCRIPTION	REF. NO.	PART NUMBER	DESCRIPTION
ELECTRIC STARTING AND LIGHTING – Continued (For Manual Shift and Custom Applications) 3387 to 4180			AD	267 787 R91	CLIP, master switch to cranking motor cable (On RH bottom bolt of seat frame support cross bar)
<u>CLIPS AND CLAMPS - Continued</u>			AE	702 093 C1	STRAP (cable No 19 to main harness) (+) (10)
K	616 282 C1	CLAMP (On top bolt on shift housing - behind shift lever)	AG	702 093 C1	STRAP, ether cable to hose from pump to thermo. housing
M		CLIP, welded	AH	362 120 R1	CLIP, rear lamp cable (on top and bottom rear bolts of RH seat side sheet) (@) (2)
N		CLIP, welded	AJ	263 514 R91	CLIP, lamp cable (on rear inner bolt of lamp bracket) (@)
P	362 120 R1	CLIP, RH front lamp cable (On RH bottom, center and top fan shroud mounting bolts) (3)			<u>GROMMETS</u>
Q	263 717 R91	CLIP, front lamp cable (On lamp swivel bolts (\$) (2)	AA	338 065 R1	GROMMET, front lamp cable (On sides of radiator guard top header) (2) (\$)
R		CLIP, welded (2)	BB	112 745	GROMMET (On RH seat side sheet) (On hydraulic application only)
S	263 514 R91	CLIP, lamp cable (On rear inner bolt of lamp bracket (\$)	CC	63 323 D	GROMMET (On LH side of dash) (+)
T	362 120 R1	CLIP, rear lamp cable (On top and bottom rear bolts of seat side sheet) (2)			<u>HARNESS</u>
U	362 120 R1	CLIP, lamp cable (On top inner bolt on front of fuel tank) (@)			
V	740 110 C1	CLIP (On center bolt on lube filter manifold bottom)	706 047 C3		HARNESS, main (Consists of Ref. Nos. 7, 8, 10, 11, 13 thru 18, 20 and 21)
W	740 110 C1	CLIP (On breather tube mounting bolt)	121 743		NUT
X	740 110 C1	CLIP (On alternator bracket rear mounting bolt)	121 744		WASHER, No. 12 flat
Y	604 388 C91	CLIP, main harness (On tapped hole on front frame above cranking motor)	120 217		WASHER, No. 19 flat
	24 838 R1	SCREW, hex-hd cap	668 189 C2		HARNESS, instrument (Consists of Ref. Nos. 26 thru 31, 34, 35, 36 and 45)
	115 093	WASHER, lock	115 999		NUT, No. 10 (2)
Z	616 282 C1	CLAMP, battery to solenoid cable (On rear bottom bolt of transmission filter mounting bracket)	25 662 R1		SCREW
	24 838 R1	SCREW, hex-hd cap	115 707		WASHER, lock
	115 093	WASHER, lock	178 387		WASHER, int-ext tooth lock (2)
AB	308 581 R1	CLAMP, battery to solenoid cable (On hydraulic cooler hose clamp on LH fender)			
AC	263 717 R91	CLIP (On LH rear bolt of seat frame support cross bar)			

(+) - Part of Heavy Duty Alternator Attachment.
 (@) - Part of RH auxiliary rear lamp attachment.
 (\$) - Part of electric lighting attachment.

ELECTRICAL

REF. NO.	PART NUMBER	DESCRIPTION	REF. NO.	PART NUMBER	DESCRIPTION
----------	-------------	-------------	----------	-------------	-------------

ELECTRIC STARTING AND LIGHTING — Continued
(For Manual Shift and Custom Applications)
3387 to 4180

MISCELLANEOUS

629 486 C92 ATTACHMENT, electric lighting (Not for machines equipped with ROPS Canopy or Cab) (See NOTE 3)
(Consists of -

1 CABLE	650 651 C1
1 CABLE	703 060 C1
1 CABLE	621 834 C1
2 CLIP	263 717 R91
1 CLIP	263 514 R91
2 GROMMET	338 065 R1
2 GUARD	624 359 C2
1 GUARD	651 628 C1
3 LAMP	338 814 R91
3 LOCKWASHER	138 530
4 NUT	271 500
6 NUT	120 371
3 SCREW	181 709
12 SCREW	179 860
3 SWIVEL	303 706 R1
12 WASHER	103 322
8 WASHER	103 342
4 WASHER	25 637 R1
6 WASHER	120 384)

663 156 C91 ATTACHMENT, electric lighting (For use on machines equipped with ROPS Canopy but not with Front Sweep attachment) (Also for machines equipped with cab) (See NOTE 3)
(Consists of -

1 BRACKET	651 948 C1
1 CABLE	650 651 C1
1 CABLE	703 060 C1
1 CABLE	621 834 C1
2 CLIP	263 717 R91
1 CLIP	263 514 R91
2 GROMMET	338 065 R1
2 GUARD	624 359 C2
3 LAMP	338 814 R91
3 LOCKWASHER	138 530
2 NUT	271 500
6 NUT	120 371
3 SCREW	181 709
10 SCREW	179 860
3 SWIVEL	303 706 R1
10 WASHER	103 322
8 WASHER	103 342
2 WASHER	25 637 R1
6 WASHER	120 384

632 304 C91 ATTACHMENT, electric lighting (For use on machines equipped with ROPS Front Sweep attachment) (Not for machines equipped with cab) (See NOTE 3)
(Consists of -

1 BRACKET	651 948 C1
1 CABLE	650 653 C1
1 CABLE	663 113 C1
1 CABLE	621 834 C1
1 CLIP	263 514 R91
2 CLIP	276 956 R91
1 DRAWING	CZG 1330
1 GROMMET	338 065 R1
1 GUARD	663 058 C1
3 LAMP	338 814 R91
3 LOCKWASHER	138 530
2 NUT	271 500
6 NUT	120 371
6 SCREW	179 860
3 SCREW	181 709
3 SWIVEL	303 706 R1
6 WASHER	103 322
4 WASHER	103 342
2 WASHER	25 637 R1
6 WASHER	120 384)

628 247 C92 ATTACHMENT, RH auxiliary rear lamp (Not for machines equipped w/260 Rear Cable Control Unit or ROPS Canopy or Cab) (See NOTE 4)
(Consists of -

1 CABLE	650 653 C1
2 CLIP	362 120 R1
1 CLIP	263 514 R91
1 CLIP	362 120 R1
1 GUARD	651 628 C1
1 LAMP	338 814 R91
2 NUT	120 371
4 NUT	271 500
4 SCREW	179 860
1 SCREW	181 709
1 SWIVEL	303 706 R1
4 WASHER	25 637 R1
4 WASHER	103 322
2 WASHER	120 384)

NOTE 3 - Field Application - Order through Regular Parts Channels.

NOTE 4 - Attachment No Longer Available. Service Parts Will Be Furnished.

ELECTRICAL

REF. NO.	PART NUMBER	DESCRIPTION	REF. NO.	PART NUMBER	DESCRIPTION
-------------	----------------	-------------	-------------	----------------	-------------

ELECTRIC STARTING AND LIGHTING – Continued
 (For Manual Shift and Custom Applications)
 3387 to 4180

MISCELLANEOUS - Continued

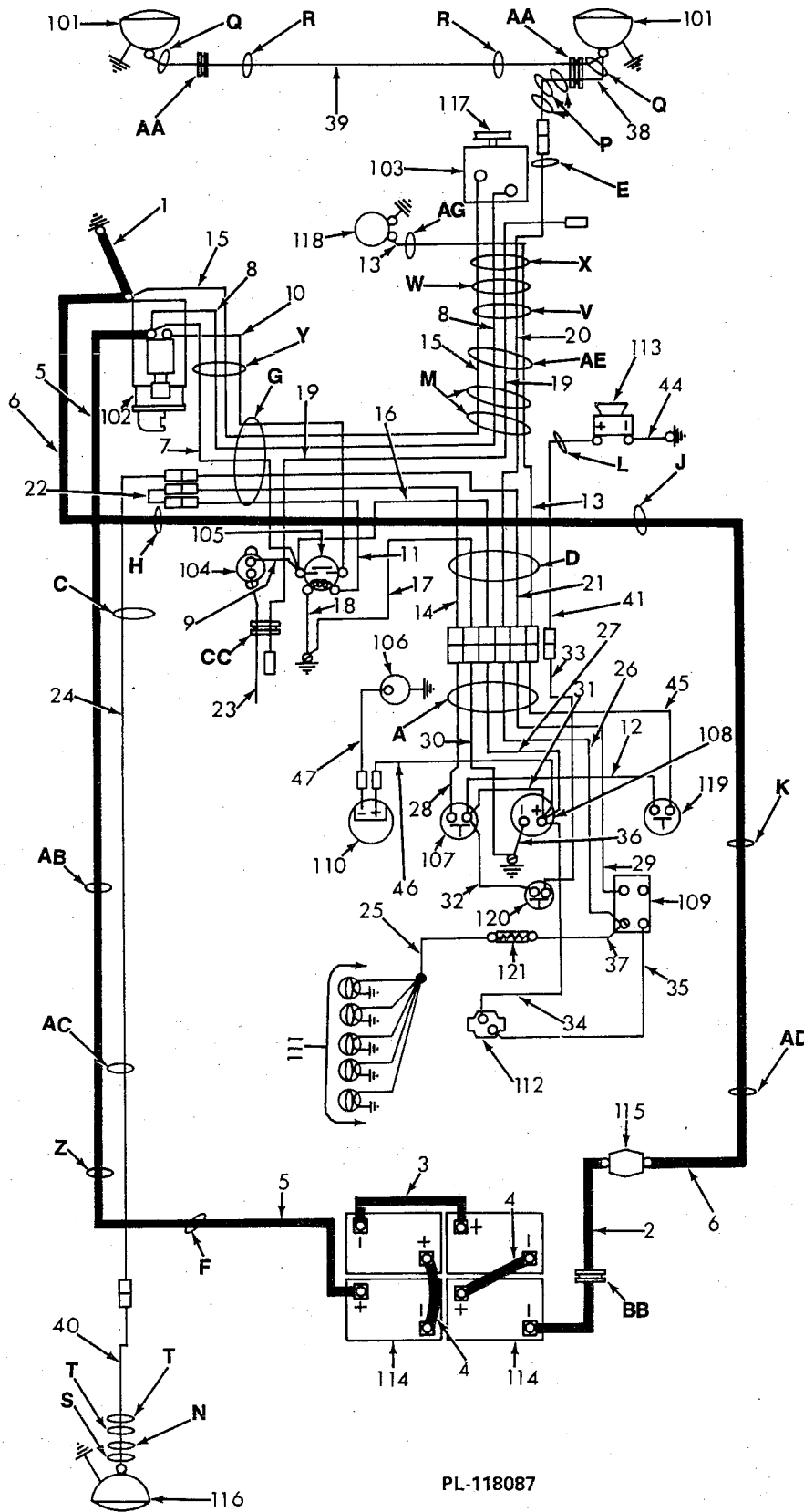
663 145 C91	ATTACHMENT, RH rear auxiliary lamp (For use on machines equipped with ROPS Canopy or Cab and electric lighting) (See NOTE 4) (Consists of -	<ul style="list-style-type: none"> 1 BRACKET 651 948 C1 1 CABLE 650 653 C1 1 CLIP 263 514 R91 3 CLIP 362 120 R1 1 LAMP 338 814 R91 2 NUT 120 371 2 NUT 271 500 1 SCREW 181 709 2 SCREW 179 860 1 SWIVEL 303 706 R1 2 WASHER 25 637 R1 2 WASHER 120 384)
632 462 C91	ATTACHMENT, heavy duty alternator (See NOTE 3) (Consists of -	<ul style="list-style-type: none"> 1 ALTERNATOR 690 479 C91 2 BOLT 436 574 1 BREAKER 213 383 H1 1 CABLE 709 129 C1 1 CABLE 709 130 C1 1 DRAWING CZG 3362 1 GROMMET 63 323 D 2 NUT 120 361 1 PULLEY 683 729 C1 10 STRAP 702 093 C1 1 TAG 1 085 499 R2 2 WASHER 121 801)

NOTE 3 - Field Application - Order through Regular Parts Channels.

NOTE 4 - Attachment No Longer Available. Service Parts Will Be Furnished.

ELECTRICAL

ELECTRIC STARTING AND LIGHTING (For Custom Applications) 4181 and up



PL-118087

ELECTRICAL

REF. NO.	PART NUMBER	DESCRIPTION	REF. NO.	PART NUMBER	DESCRIPTION
ELECTRIC STARTING AND LIGHTING – Continued (For Custom Applications) 4181 and up			19	709 130 C1	CABLE, magnetic clutch connector to cab magnetic clutch connector (Black & Orange) (Cable used on air conditioning cab only)
<u>CABLES</u>			20		CABLE, dash connector to front lamp connector (Dark Blue) (%)
1	740 184 C1	CABLE, frame terminal on cranking motor to safety filter mounting bracket	21		CABLE, dash connector to fender connector (Pink) (%)
2	650 632 C1	CABLE, master switch to negative terminal on battery	22	650 668 C1	CABLE, fender connector to fender connector
3	624 397 C2	CABLE, battery to battery long	23		CABLE, cab circuit breaker to cab (To be supplied by cab vendor)
4	253 738 R92	CABLE, battery to battery short (2)	24	740 765 C1	CABLE, fender connector to rear lamp connector (Pink)
5	650 657 C2	CABLE, positive terminal on battery to "B" terminal on solenoid	25	715 631 C1	CABLE, instrument lamps to resistor
6	345 582 R92	CABLE, master switch to frame terminal on solenoid	26		CABLE, dash connector to "H" terminal on light switch (Dark Blue) (*)
7		CABLE, "B" terminal on solenoid to "H" terminal on magnetic switch (Red) (%)	27		CABLE, dash connector to positive terminal on voltmeter (Red) (*)
8		CABLE, "B" terminal on solenoid to output on alternator (Red) (%)	28		CABLE, dash connector to starting switch (Black/Red) (*)
9	709 129 C1	CABLE, cab circuit breaker to magnetic switch (Only used on machines equipped w/Air Conditioned Cab)(+)	29		CABLE, dash connector to "R" terminal on light switch (Pink) (*)
10		CABLE, "S" terminal on solenoid to magnetic switch (White) (%)	30		CABLE, dash connector to instrument panel ground screw (*)
11		CABLE, fender connector to magnetic switch (White) (%)	31		CABLE, starting switch to positive terminal on voltmeter (Red) (*)
12		CABLE, start switch to ether switch (White) (Refer to "Ether Injector-Electric")	32	650 357 C1	CABLE, starting switch to horn switch
13		CABLE, dash connector to ether valve (Light Blue) (%)	33	681 723 C1	CABLE, horn switch to horn connector
14		CABLE, dash connector to fender connector (Black/Red) (%)	34		CABLE, positive on voltmeter to circuit breaker (Orange) (*)
15		CABLE, ground terminal on alternator to frame terminal on cranking motor (%)	35		CABLE, circuit breaker to "B" terminal on light switch (Orange) (*)
16		CABLE, dash connector to "H" terminal on magnetic switch (Red) (%)	36		CABLE, negative on voltmeter to instrument panel ground screw (*)
17		CABLE, dash connector to magnetic switch mounting bolt (%)	37	650 638 C1	CABLE, resistor to "H" terminal on light switch
18		CABLE, magnetic switch to magnetic switch mounting bolt (%)	38	650 651 C1	CABLE, front lamp connector to RH front lamp (\$))

(&) - Order SAFETY STARTING SWITCH HARNESS
 (%) - Order MAIN HARNESS
 (*) - Order INSTRUMENT HARNESS

ELECTRICAL

REF. NO.	PART NUMBER	DESCRIPTION	REF. NO.	PART NUMBER	DESCRIPTION
ELECTRIC STARTING AND LIGHTING – Continued (For Custom Applications) 4181 and up					
<u>CABLES – Continued</u>					
39	703 060 C1	CABLE, RH front lamp to LH front lamp (\$)	109		SWITCH, lighting (Refer to "LIGHTING SWITCH")
40	621 834 C1	CABLE, rear lamp connector to LH rear lamp (\$)	110		HOURMETER (Refer to "Instrument Panel and Gauges")
41	709 155 C1	CABLE, (@)	111	23 872 R1	LAMP, instrument panel (5)
44	664 937 C1	CABLE, horn (neg) to horn mounting bolt	112	706 142 C1	BREAKER, circuit (15 amp)
45		CABLE, dash connector to ether start switch (Light Blue) (*)		110 633	NUT (2)
46	709 064 C1	CABLE, voltmeter (pos) to hourmeter (pos) connector		110 487	SCREW, fil-hd-slt (2)
47	709 155 C1	CABLE, hourmeter (neg) to engine oil pressure switch		106 497	WASHER, lock (2)
MAIN COMPONENTS					
101		LIGHT ASSY., RH and LH front (Refer to "HEADLIGHTS") (\$)	113	736 130 C1	HORN, electric warning
102		MOTOR ASSY., cranking (Refer to Engine Parts Catalog,EPC-400)		OR	
103		ALTERNATOR ASSY., (Heavy Duty) (For components see list of parts in "Engine Parts Catalog EPC-400 and EPC-400B")	113	737 365 C1	HORN, electric warning
104	213 383 H	BREAKER, circuit (50 amp)		189 295	BOLT (2)
	120 361	NUT (2)		21 622 R1	NUT (2)
	436 574	SCREW, hex-hd cap (2)		25 534 R1	WASHER (2)
	121 801	WASHER, internal tooth (2)		740 353 C1	PLATE, name
105	706 125 C2	SWITCH, magnetic	114		BATTERIES (Refer to "BATTERY and BATTERY SUPPORT") (4)
	120 376	NUT, 5/16" (2)	115		SWITCH, master (Refer to "MASTER SWITCH")
	120 614	NUT, No. 10 (2)	116		LIGHT ASSY., LH rear (Refer to "HEADLIGHT and REAR LIGHT")(\$)
	25 222 R1	SCREW, 3/4" long hex-hd cap(2)	117	683 729 C1	PULLEY, alternator
	174 878	WASHER, 1/4" int.tooth lock(2)	118		VALVE, ether starting (Refer to "ETHER INJECTOR- Electric")
	120 214	WASHER, 5/16" lock (2)	119		SWITCH, ether starting (Refer to "ETHER INJECTOR - Electric")
	120 217	WASHER, No. 10 lock (2)	120	627 670 C1	SWITCH, horn
106		SWITCH, engine oil pressure (Refer to "Gauge Piping")		OR	
107		SWITCH, starting (Refer to "STARTING SWITCH")	120	453 453 C1	SWITCH, horn
108		VOLTMETER (Refer to "INSTRUMENT and INSTRUMENT PANEL")	121		RESISTOR (Refer to "INSTRUMENT PANEL AND GAUGES")
CLIPS AND CLAMPS					
			A	299 410 C1	CLAMP, instrument harness (On LH bolt of water temperature gauge)
			C	358 902 R1	CLIP, on top front bolt of decelerator mounting bracket
			D	622 965 C1	CLIP, welded
			E	362 120 R1	CLIP, main harness (On bottom screw of water pump manifold)
			(*) - Order INSTRUMENT HARNESS		
			(\$) - Part of electric lighting attachment		

ELECTRICAL

REF. NO.	PART NUMBER	DESCRIPTION	REF. NO.	PART NUMBER	DESCRIPTION
ELECTRIC STARTING AND LIGHTING – Continued (For Custom Applications) 4181 and up			AB	308 581 R1	CLAMP, battery to solenoid cable (On hydraulic cooler hose clamp on LH fender)
<u>CLIPS AND CLAMPS – Continued</u>			AC	263 717 R91	CLIP (On LH rear bolt of seat frame support cross bar)
F	308 581 R1	CLIP, battery terminal (On bottom RH screw of control tower cover)	AD	267 787 R91	CLIP, master switch to cranking motor cable(On RH bottom bolt of seat frame support cross bar)
G	604 388 C91	CLIP, main harness (On top mounting bolt of magnetic switch)	AE	702 093 C1	STRAP (cable No. 19 to main harness) (10)
H	604 388 C91	CLIP (On LH top bolt of clutch housing – under lug)		702 093 C1	STRAP (4)
J	604 388 C91	CLIP (On RH rear bolt of center platform support)	AG	702 093 C1	STRAP, ether cable to hose from pump to thermostat housing
<u>GROMMETS</u>					
K	616 282 C1	CLAMP (On top bolt on shift housing –behind shift lever)	AA	338 065 R1	GROMMET, front lamp cable (On sides of radiator guard top header) (2) (\$)
L	384 554 R1	CLIP, on horn inner mounting bolt(##)	BB	112 745	GROMMET (On RH seat side sheet) (On hydraulic application only)
M	622 965 C1	CLIP, welded	CC	63 323 D	GROMMET (On LH side of dash)
N	622 966 C1	CLIP, welded	<u>HARNESS</u>		
P	362 120 R1	CLIP, RH front lamp cable(On RH bottom, center and top fan shroud mounting bolts) (3)	740 707 C1	HARNESS, main (Consists of Ref.Nos. 7, 8, 10, 11, 13 thru 18, 20 and 21)	
Q	263 717 R1	CLIP, front lamp cable (On lamp swivel bolts) (\$) (2)	121 743	NUT	
R	264 186 R1	CLIP, welded on radiator guard header plate (2)	121 744	WASHER, No. 12 flat	
			120 217	WASHER, No. 19 flat	
S	263 514 R91	CLIP, lamp cable (On rear inner bolt of lamp bracket) (\$)	668 189 C3	HARNESS, instrument (Consists of Ref. Nos. 26 thru 31, 34, 35 36 and 45)	
T	362 120 R1	CLIP, rear lamp cable (On top and bottom rear bolts of seat side sheet) (2)	115 999	NUT, No. 10 (2)	
			25 662 R1	SCREW	
V	740 110 C1	CLIP (On center bolt on lube filter manifold bottom)	115 707	WASHER, lock	
			178 387	WASHER, int-ext tooth lock (2)	
W	740 110 C1	CLIP (On breather tube mounting bolt)	740 766 C1	HARNESS, fender (Consists of Ref. Nos. 22, 23 and 24)	
X	740 110 C1	CLIP (on alternator bracket rear mounting bolt)	650 515 C1	HARNESS, safety starting switch (Consists of Ref. Nos. 32 and 33)	
Y	604 388 C91	CLIP, main harness (On tapped hole on front frame above cranking motor)			
	24 838 R1	SCREW, hex-hd cap			
	115 093	WASHER, lock			
Z	616 282 C1	CLAMP, battery to solenoid cable(On rear bottom bolt of transmission filter mounting bracket)			(\$) - Part of electric lighting attachment.
	24 838 R1	SCREW, hex-hd cap			
	115 093	WASHER, lock			

ELECTRICAL

REF. NO.	PART NUMBER	DESCRIPTION	REF. NO.	PART NUMBER	DESCRIPTION
----------	-------------	-------------	----------	-------------	-------------

ELECTRIC STARTING AND LIGHTING – Continued
 (For Custom Applications)
 4181 and up

MISCELLANEOUS

629 486 C92	ATTACHMENT, electric lighting (Not for machines equipped with ROPS Canopy or Cab)(See NOTE 3)	
	(Consists of—	
	1 CABLE	650 651 C1
	1 CABLE	703 060 C1
	1 CABLE	621 834 C1
	2 CLIP	263 717 R91
	1 CLIP	263 514 R91
	2 GROMMET	338 065 R1
	2 GUARD	624 359 C2
	1 GUARD	651 628 C1
	3 LAMP	338 814 R91
	3 LOCKWASHER	138 530
	4 NUT	271 500
	6 NUT	120 371
	3 SCREW	181 709
	12 SCREW	179 860
	3 SWIVEL	303 706 R1
	12 WASHER	103 322
	8 WASHER	103 342
	4 WASHER	25 637 R1
	6 WASHER	120 384)

632 304 C91	ATTACHMENT, electric lighting (For use on machines equipped with ROPS Front Sweep attachment)(Not for machines equipped with cab)(See NOTE 3)	
	(Consists of—	
	1 BRACKET	651 948 C1
	1 CABLE	650 653 C1
	1 CABLE	663 113 C1
	1 CABLE	621 834 C1
	1 CLIP	263 514 R91
	2 CLIP	276 956 R91
	1 DRAWING	CZG 1330
	1 GROMMET	338 065 R1
	1 GUARD	663 058 C1
	3 LAMP	338 814 R91
	2 NUT	271 500
	6 NUT	120371
	6 SCREW	179 860
	3 SCREW	181 709
	3 SWIVEL	303 706 R1
	6 WASHER	103 322
	4 WASHER	103 342
	2 WASHER	25 637 R1
	6 WASHER	120 384)

663 156 C91	ATTACHMENT, electric lighting(For use on machines equipped with ROPS Canopy but not with Front Sweep attachment) (Also for machines equipped with cab)(See NOTE 3)	
	(Consists of—	
	1 BRACKET	651 948 C1
	1 CABLE	650 651 C1
	1 CABLE	703 060 C1
	1 CABLE	621 834 C1
	2 CLIP	263 717 R91
	1 CLIP	263 514 R91
	2 GROMMET	338 065 R1
	2 GUARD	624 359 C1
	3 LAMP	338 814 R91
	2 NUT	271 500
	6 NUT	120 371
	3 SCREW	181 709
	10 SCREW	179 860
	3 SWIVEL	303 706 R1
	10 WASHER	103 322
	8 WASHER	103 342
	2 WASHER	25 637 R1
	6 WASHER	120 384

NOTE 3: - Field Application – Order through Regular Parts Channels.

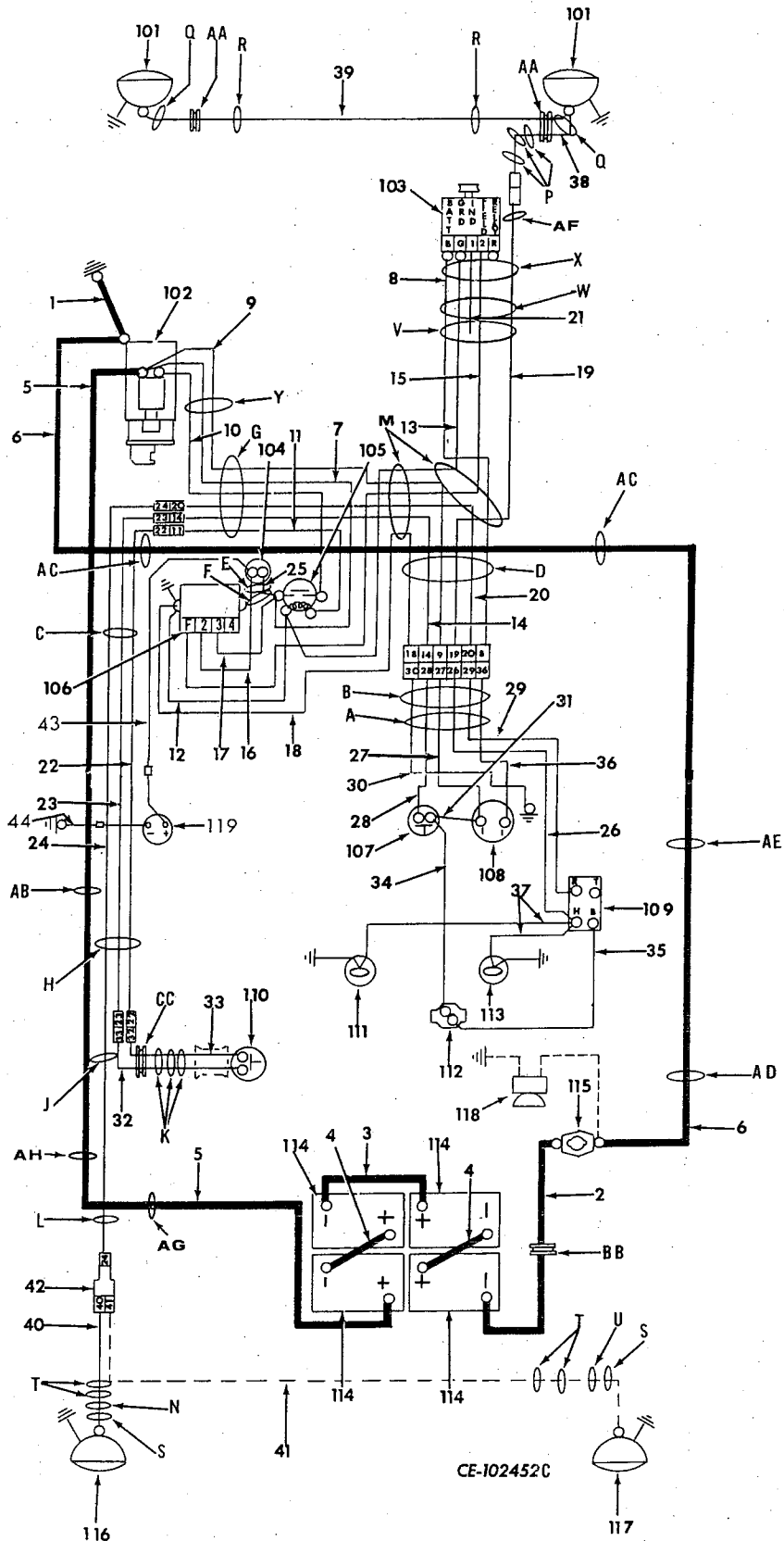
ELECTRICAL

MEMORANDA

ELECTRICAL

REF. NO.	PART NUMBER	DESCRIPTION	REF. NO.	PART NUMBER	DESCRIPTION
----------	-------------	-------------	----------	-------------	-------------

ELECTRIC STARTING AND LIGHTING
 (For Power Shift Not Equipped with Cab)
 3386 and below



ELECTRICAL

REF. NO.	PART NUMBER	DESCRIPTION	REF. NO.	PART NUMBER	DESCRIPTION
ELECTRIC STARTING AND LIGHTING — Continued (For Power Shift Not Equipped with Cab) 3386 and below			21		CABLE, dummy (%)
			22		CABLE, fender connector to safety starting switch connector (White) (¢)
<u>CABLES</u>					
1	297 909 R92	CABLE, frame terminal on cranking motor to tapped hole in front frame			
	138 549	WASHER, int. tooth lock (2)	23		CABLE, fender connector to safety starting switch connector (Black/Red) (¢)
2	650 632 C1	CABLE, master switch to negative terminal on battery	24		CABLE, fender connector to rear lamp connector (Dark Blue) (¢)
3	624 397 C2	CABLE, battery to battery long	25	283 983 R91	CABLE, magnetic switch to engine oil pressure switch (Yellow) (%)
4	253 738 R92	CABLE, battery to battery short (2)	26		CABLE, dash connector to "H" terminal to light switch (Dark Green) (*)
5	650 657 C2	CABLE, positive terminal on battery to "B" terminal on solenoid	27		CABLE, dash connector to positive terminal on ammeter (Red) (*)
6	345 582 R92	CABLE, master switch to frame terminal on solenoid	28		CABLE, dash connector to starting switch (Black/Red) (*)
7		CABLE, "B" terminal on solenoid to negative switch (Red) (%)	29		CABLE, dash connector to "R" terminal on light switch (Dark Blue) (*)
8		CABLE, dash connector to "B" terminal on alternator (Brown) (%)	30		CABLE, dash connector to instrument panel ground screw (*)
9		CABLE, "B" terminal on solenoid to dash connector (Red) (%)	31		CABLE, starting switch to positive terminal on ammeter (Red) (*)
10		CABLE, "S" terminal on solenoid to magnetic switch (White) (%)	32		CABLE, safety starting switch connector to starting switch (Black/Red) (&)
11		CABLE, fender connector to magnetic switch (White) (%)	33		CABLE, safety starting switch connector to starting switch (White) (&)
12		CABLE, magnetic switch to regulator mounting bolt ground (%)	34		CABLE, start switch to circuit breaker (Orange) (*)
13		CABLE, magnetic switch to ground terminal on alternator ground (%)	35		CABLE, circuit breaker to "B" terminal on light switch (Orange) (*)
14		CABLE, dash connector to fender connector (Black/Red) (%)	36		CABLE, dash connector to negative terminal on ammeter (Brown) (*)
15		CABLE, No. 2 terminal on alternator to "F" terminal on regulator (Light Green) (%)	37		CABLE, instrument panel lamp to "H" terminal on light switch (Order PACKAGE, 603 467 C91) (2)
16		CABLE, No. 2 terminal on regulator to engine oil pressure switch (Light Blue) (%)			
17		CABLE, No. 3 terminal on regulator to magnetic switch (Orange) (%)			
18		CABLE, dash connector to regulator mounting bolt ground (%)			
19		CABLE, dash connector to front lamp connector (Dark Green) (%)			
20		CABLE, dash connector to fender connector (Dark Blue) (%)			
			(&)	-	Order SAFETY STARTING SWITCH HARNESS.
			(¢)	-	Order FENDER HARNESS.
			(%)	-	Order MAIN HARNESS.
			(*)	-	Order INSTRUMENT HARNESS.

ELECTRICAL

REF. NO.	PART NUMBER	DESCRIPTION	REF. NO.	PART NUMBER	DESCRIPTION
ELECTRIC STARTING AND LIGHTING – Continued (For Power Shift Not Equipped with Cab) 3386 and below					
<u>CABLES - Continued</u>					
38	650 651 C1	CABLE, front lamp connector to RH front lamp (\$)	110	621 771 C91 177 717 R1	SWITCH, safety starting NUT, face
39	703 060 C1	CABLE, RH front lamp to LH front lamp (Not for machines equipped with ROPS Front Sweep Attachment) (\$)	111		LAMP, instrument panel (Order PACKAGE, 603 467 C91)
39	663 113 C1	CABLE, RH front lamp to LH front lamp (For machines equipped with ROPS Front Sweep Attachment) (\$)	112	124 087 H1 110 633 110 490 106 497	BREAKER, circuit (15 amp) NUT (2) SCREW, fil-hd-slt (2) WASHER, lock (2)
40	621 834 C1	CABLE, rear lamp connector to LH rear lamp (\$)	113		LAMP, instrument panel (Order PACKAGE, 603 467 C91)
41	650 653 C1	CABLE, rear lamp connector to RH rear lamp (@) (\$)	114		BATTERIES (Refer to "BATTERY and BATTERY SUPPORT") (4)
42	283 983 R91	CONNECTOR, rear lamp cable "Y" (\$)	115		SWITCH, master (Refer to "MASTER SWITCH")
43	709 155 C1	CABLE, hourmeter to engine oil pressure switch 3337 to 3386	116		LIGHT ASSY., LH rear (Refer to "HEADLIGHT and REAR LIGHT") (\$)
44	271 066 R92	CABLE, hourmeter to ground 3337 to 3386	117		LIGHT ASSY., RH rear auxiliary (Refer to "HEADLIGHT, REAR LIGHT and AUXILIARY REAR LIGHT") (@)
			118		ATTACHMENT, back-up alarm (Refer to "ALARM BACK-UP")
			119	709 145 C2 OR 715 916 C1	HOURMETER 3337 to 3386 HOURMETER
<u>MAIN COMPONENTS</u>			<u>CLIPS AND CLAMPS</u>		
101		LIGHT ASSY., RH and LH front (Refer to "HEADLIGHT") (\$)	A	299 410 C1	CLAMP, instrument harness (On LH bolt of water temperature gauge)
102		MOTOR ASSY., cranking (Refer to Engine Parts Catalog, EPC-400)	B		CLIP, welded
103		ALTERNATOR ASSY. (Refer to Engine Parts Catalog EPC-400)	C	267 787 R91	CLIP, on front MTG bolt of Governor Pivot Bracket
104	663 392 C1	SWITCH, engine oil pressure	D		CLIP, welded
105	706 125 C2 120 376 120 614 171 034 25 222 R1 174 878 120 214 120 217	SWITCH, magnetic NUT, 5/16" (4) NUT, No. 10 (4) SCREW, 1" long hex-hd cap (2) SCREW, 3/4" long hex-hd cap (2) WASHER, 1/4" int. tooth lock (2) WASHER, 5/16" lock (4) WASHER, No. 10 lock (4)	E	366 460 R1	CLIP, main harness (On LH mounting bolt of pressure tube junction block)
106		REGULATOR, voltage (Refer to "VOLTAGE REGULATOR")	F		CLIP, welded
107		SWITCH, starting (Refer to "STARTING SWITCH")	G	604 388 C91	CLIP, main harness (On top mounting bolt of magnetic switch)
108		AMMETER (Refer to "INSTRUMENT and INSTRUMENT PANEL")	H	363 444 R1 25 653 R1 116 120	CLIP, fender harness (On LH fender in front of seat cross bar) BOLT, hex-hd cap WASHER, lock
109		SWITCH, lighting (Refer to "LIGHTING SWITCH")	J	363 660 R1 25 534 R1	CLIP, fender harness (On bottom RH control tower cover mounting bolt) WASHER, flat
			K		CLIP, welded (3)

(@) - Part of RH auxiliary rear lamp attachment.
(\$) - Part of electric lighting attachment.

ELECTRICAL

REF. NO.	PART NUMBER	DESCRIPTION	REF. NO.	PART NUMBER	DESCRIPTION
ELECTRIC STARTING AND LIGHTING – Continued					
(For Power Shift Not Equipped with Cab)					
3386 and below					
<u>CLIPS AND CLAMPS - Continued</u>					
L	264 164 R91	CLIP, rear lamp cable (On LH bottom battery support frame)	AE	616 282 C1	CLIP, master switch to cranking motor cable (On hole above brake pedal bracket)
				25 522 R1	NUT
				24 840 R1	SCREW, hex-hd cap
				115 093	WASHER, lock
				25 534 R1	WASHER, flat
M		CLIP, welded			
N		CLIP, welded	AF	362 120 R1	CLIP, main harness (On bottom bolt of water pump manifold)
P	362 120 R1	CLIP, RH front lamp cable (On RH bottom, center and top fan shroud mounting bolts) (3)	AG	308 581 R1	CLAMP, battery to cranking motor cable (On bottom RH bolt of control tower cover)
Q	263 717 R91	CLIP, front lamp cable (On lamp swivel bolts (\$) (2)	AH	616 282 C1	CLIP, battery to cranking motor cable (On rear bottom bolt of transmission pressure filter mounting bracket)
R		CLIP, welded (2)			
S	263 514 R91	CLIP, lamp cable (On rear inner bolt of lamp bracket) (@) (\$) (2)		276 956 R91	CLIP, front lamp cable (On center bolts of front lamp bracket) (\$) (2)
T	362 120 R1	CLIP, rear lamp cable (On top and bottom rear bolts of seat side sheet) (@) (4)			<u>GROMMETS</u>
U	362 120 R1	CLIP, lamp cable (On top inner bolt on front of fuel tank) (@)	AA	338 065 R1	, front lamp cable (On sides of radiator guard top header) (\$) (2)
V	103 213 H	CLIP (On center bolt on lube filter manifold bottom)	BB	112 745	GROMMET (On RH seat side sheet) (On hydraulic application only)
W	399 657 R1	CLIP (On breather tube front mounting bolt)	CC	325 453 R2	GROMMET (On front frame rear LH side)
X	399 657 R1	CLIP (On alternator bracket rear mounting bolt)		273 406 R1	GROMMET, panel light (Part of PACKAGE, 603 467 C91) (2)
Y	363 444 R1	CLIP, main harness (On tapped hole on front frame above cranking motor)			
	24 838 R1	SCREW, hex-hd cap			
	115 093	WASHER, lock			
AB	308 581 R1	CLAMP, battery to solenoid cable (On hydraulic cooler hose clamp on LH fender)			
AC	604 388 C91	CLIP, master switch to cranking motor cable (On RH and LH upper bolts on torque converter housing) (2)			
AD	267 787 R91	CLIP, master switch to cranking motor cable (On RH bottom bolt to seat frame support cross bar)			

(@) - Part of RH auxiliary rear lamp attachment.

(\$) - Part of electric lighting attachment.

ELECTRICAL

REF. NO.	PART NUMBER	DESCRIPTION	REF. NO.	PART NUMBER	DESCRIPTION
ELECTRIC STARTING AND LIGHTING – Continued (For Power Shift Not Equipped with Cab) 3386 and below			663 145 C91		ATTACHMENT, RH rear auxiliary lamp (For use on machines equipped with ROPS Canopy and Electric Lighting) (See NOTE 4) (Consists of -
	HARNESS				
650 661 C2		HARNESS, main (Consists of Ref. Nos. 6 thru 21 and 25)		1 BRACKET	651 948 C1
121 743		NUT		1 CABLE	650 653 C1
121 744		WASHER, No. 12 flat		1 CLIP	263 514 R91
120 217		WASHER, No. 19 flat		3 CLIP	362 120 R1
				1 LAMP	338 814 R91
650 655 C2		HARNESS, instrument (Consists of Ref. Nos. 26 thru 31, 34, 35 and 36)		2 NUT	120 371
115 999		NUT, No. 10 (2)		2 NUT	271 500
25 662 R1		SCREW		1 SCREW	181 709
115 707		WASHER, lock		2 SCREW	179 860
178 387		WASHER, int-ext tooth lock (2)		1 SWIVEL	303 706 R1
				2 WASHER	25 637 R1
				2 WASHER	120 384)
650 663 C1		HARNESS, fender (Consists of Ref. Nos. 22, 23 and 24)	663 156 C91		ATTACHMENT, electric lighting (For use on machines equipped with ROPS Canopy, but not with Front Sweep Attachment) (See NOTE 3) (Consists of -
650 515 C1		HARNESS, safety starting switch (Consists of Ref. Nos. 32 and 33)		1 BRACKET	651 948 C1
	MISCELLANEOUS			1 CABLE	650 651 C1
603 467 C91		PACKAGE, panel lamp service (Less bulbs) (Consists of DASH LIGHT, GROMMET, 273 406 R1 and WASHER, 273 405 R1) (2)		1 CABLE	703 060 C1
193 093		BULB, instrument panel (2)		1 CABLE	621 834 C1
273 405 R1		WASHER, panel light (Part of PACKAGE, 603 467 C91) (2)		2 CLIP	263 717 R91
				1 CLIP	263 514 R91
628 247 C92		ATTACHMENT, RH auxiliary rear lamp (Not for machines equipped with 260 Rear Cable Control Unit or ROPS Canopy) (See NOTE 4) (Consists of -		2 GROMMET	338 065 R1
		1 CABLE		2 GUARD	624 359 C2
		2 CLIP		3 LAMP	338 814 R91
		1 CLIP		3 LOCKWASHER	138 530
		1 CLIP		2 NUT	271 500
		1 GUARD		6 NUT	120 371
		1 LAMP		3 SCREW	181 709
		2 NUT		10 SCREW	179 860
		4 NUT		3 SWIVEL	303 706 R1
		4 SCREW		10 WASHER	103 322
		1 SCREW		8 WASHER	103 342
		1 SWIVEL		2 WASHER	25 637 R1
		4 WASHER		6 WASHER	120 384)
		4 WASHER			
		2 WASHER			

NOTE 3 - Field Application - Order through Regular Parts Channels.

NOTE 4 - Attachment no longer available. Service parts will be furnished.

ELECTRICAL

REF. NO.	PART NUMBER	DESCRIPTION	REF. NO.	PART NUMBER	DESCRIPTION
----------	-------------	-------------	----------	-------------	-------------

ELECTRIC STARTING AND LIGHTING – Continued
 (For Power Shift Not Equipped with Cab)
 3386 and below

MISCELLANEOUS - Continued

629 486 C92 ATTACHMENT, electric lighting (Not for machines equipped with ROPS Canopy) (See NOTE 3)

(Consists of -

- 1 CABLE 650 651 C1
- 1 CABLE 703 060 C1
- 1 CABLE 621 834 C1
- 2 CLIP 263 717 R91
- 1 CLIP 263 514 R91
- 2 GROMMET 338 065 R1
- 2 GUARD 624 359 C2
- 1 GUARD 651 628 C1
- 3 LAMP 338 814 R91
- 3 LOCKWASHER 138 530
- 4 NUT 271 500
- 6 NUT 120 371
- 3 SCREW 181 709
- 12 SCREW 179 860
- 3 SWIVEL 303 706 R1
- 12 WASHER 103 322
- 8 WASHER 103 342
- 4 WASHER 25 637 R1
- 6 WASHER 120 384)

632 304 C91 ATTACHMENT, electric lighting (For use on machines equipped with ROPS Front Sweep Attachment) (See NOTE 3)

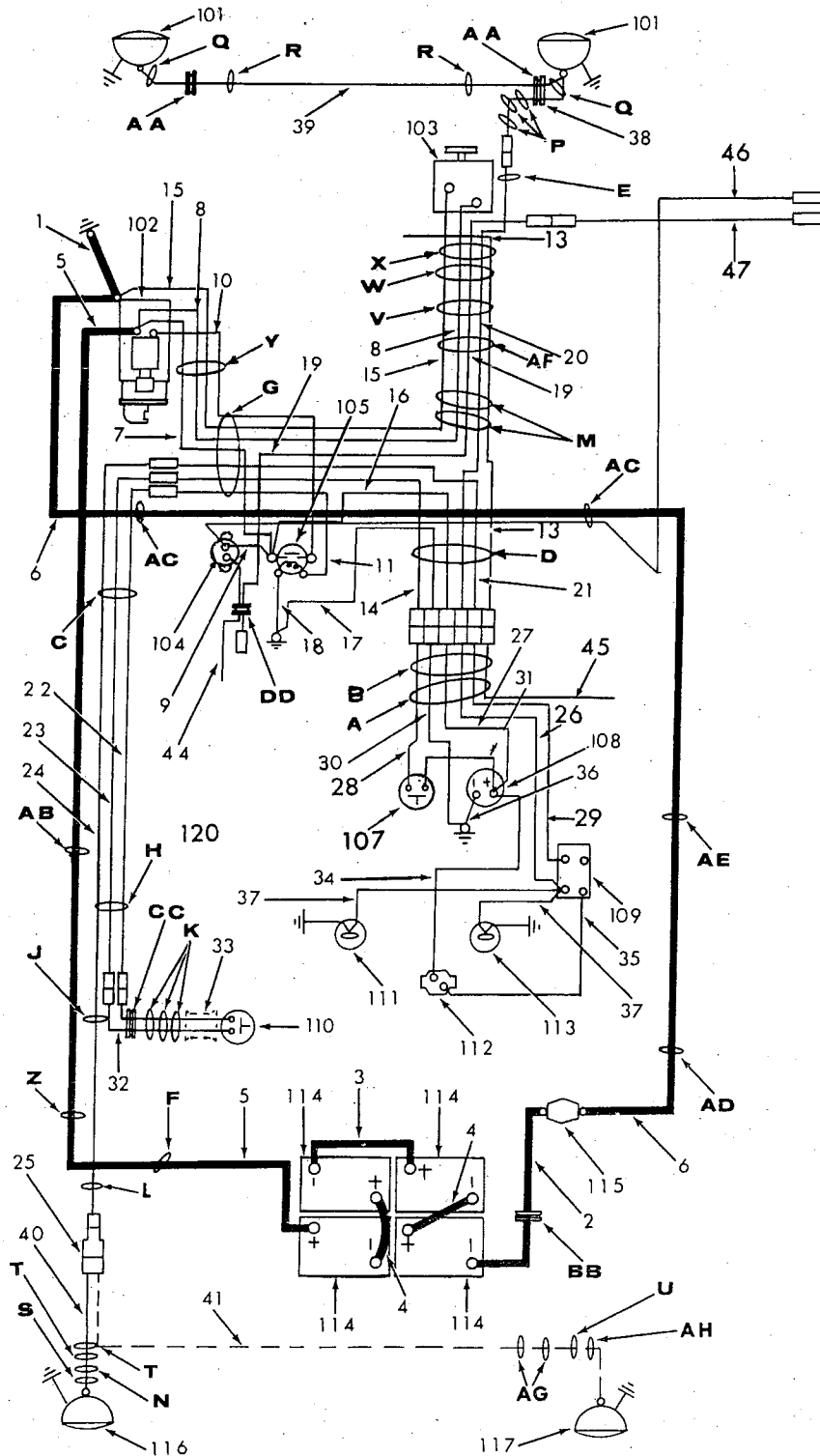
(Consists of -

- 1 BRACKET 651 948 C1
- 1 CABLE 650 653 C1
- 1 CABLE 663 113 C1
- 1 CABLE 621 834 C1
- 1 CLIP 263 514 R91
- 2 CLIP 276 956 R91
- 1 DRAWING CZG-1330
- 1 GROMMET 338 065 R1
- 1 GUARD 663 058 C1
- 3 LAMP 338 814 R91
- 3 LOCKWASHER 138 530
- 2 NUT 271 500
- 6 NUT 120 371
- 6 SCREW 179 860
- 3 SCREW 181 709
- 3 SWIVEL 303 706 R1
- 6 WASHER 103 322
- 4 WASHER 103 342
- 2 WASHER 25 637 R1
- 6 WASHER 120 384)

NOTE 3 - Field Application – Order through Regular Parts Channels.

ELECTRICAL

ELECTRIC STARTING AND LIGHTING
(For Power Shift Equipped with Cab)
3386 and below



CE-115084

ELECTRICAL

REF. NO.	PART NUMBER	DESCRIPTION	REF. NO.	PART NUMBER	DESCRIPTION
ELECTRIC STARTING AND LIGHTING – Continued (For Power Shift Equipped with Cab) - Continued 3386 and below			16		CABLE, dash connector to "H" terminal on magnetic switch (Red) (Order main HARNESS, 706 047 C3)
<u>CABLES</u>			17		CABLE, dash connector to magnetic switch mounting bolt (%)
1	297 909 R92 138 549	CABLE, frame terminal on cranking motor to tapped hole in front frame WASHER, int. tooth lock (2)	18		CABLE, magnetic switch to magnetic switch mounting bolt (%)
2	650 632 C1	CABLE, master switch to negative terminal on battery	19		CABLE, magnetic clutch connector to cab magnetic clutch connector (Black/Orange) (Only used on air conditioned cabs) (Part of main HARNESS, 632 317 C1)
3	624 397 C2	CABLE, battery to battery long	19	709 130 C1	CABLE, magnetic clutch connector to cab magnetic clutch connector (Only used on air conditioned cabs) (+)
4	253 738 R92	CABLE, battery to battery short (2)	20		CABLE, dash connector to front lamp connector (Dark Blue) (%)
5	650 657 C2	CABLE, positive terminal on battery to "B" terminal on solenoid	21		CABLE, dash connector to fender connector (Pink) (%)
6	345 582 R92	CABLE, master switch to frame terminal on solenoid	22		CABLE, fender connector to safety starting switch connector (White) (¢)
7		CABLE, "B" terminal on solenoid to circuit breaker (Red) (Part of main HARNESS, 632 317 C1)	23		CABLE, fender connector to safety starting switch connector (Black/Red) (¢)
7		CABLE, "B" terminal on solenoid to "H" terminal on magnetic switch (Red) (Order main HARNESS, 706 047 C3)	24		CABLE, fender connector to rear lamp connector (Pink) (¢)
8		CABLE, "B" terminal on solenoid to output on alternator (Red) (%)	25	283 983 R91	"Y" CONNECTOR CABLE
9		CABLE, cab circuit breaker to magnetic switch (Red) (Part of main HARNESS, 632 317 C1)	26		CABLE, dash connector to "H" terminal on light switch (Dark Blue) (*)
9	709 129 C1	CABLE, cab circuit breaker to magnetic switch (+)	27		CABLE, dash connector to positive terminal on voltmeter (Red) (*)
10		CABLE, "S" terminal on solenoid to magnetic switch (White) (%)	28		CABLE, dash connector to starting switch (Black/Red) (*)
11		CABLE, fender connector to magnetic switch (White) (%)	29		CABLE, dash connector to "R" terminal on light switch (Pink) (*)
12		NOT USED	30		CABLE, dash connector to instrument panel ground screw (*)
13		CABLE, tapped back (Light Blue) (Part of main HARNESS, 706 047 C3)	31		CABLE, starting switch to positive terminal on voltmeter (Red) (*)
14		CABLE, dash connector to fender connector (Black/Red) (%)	32		CABLE, safety starting switch connector to starting switch (Black/Red) (&)
15		CABLE, ground terminal on alternator to frame terminal on cranking motor (%)	33		CABLE, safety starting switch connector to starting switch (White) (&)
16		CABLE, dash connector to cab circuit breaker (Red) (Part of main HARNESS, 632 317 C1)	34		CABLE, positive on voltmeter to circuit breaker (Orange) (*)

(&) - Order SAFETY STARTING SWITCH HARNESS.
 (¢) - Order FENDER HARNESS.
 (%) - Order MAIN HARNESS.
 (*) - Order INSTRUMENT HARNESS.
 (+) - Part of Heavy Duty Alternator Attachment.

ELECTRICAL

REF. NO.	PART NUMBER	DESCRIPTION	REF. NO.	PART NUMBER	DESCRIPTION
ELECTRIC STARTING AND LIGHTING – Continued (For Power Shift Equipped with Cab) - Continued 3386 and below			108		VOLTMETER (Refer to "INSTRUMENT and INSTRUMENT PANEL") (+)
<u>CABLES - Continued</u>			109		SWITCH, lighting (Refer to "LIGHTING SWITCH")
35		CABLE, circuit breaker to "B" terminal on light switch (Orange) (*)	110	621 771 C91 177 717 R1	SWITCH, safety starting NUT, face
36		CABLE, negative on voltmeter to instrument panel ground screw (*)	111	650 381 C2	LAMP, instrument panel (+)
37		CABLE, instrument panel lamp to "H" terminal on light switch (Part of LAMP, 650 381 C2) (+) (2)	112	124 087 H1 110 633 110 490 106 497	BREAKER, circuit (15 amp) NUT (2) SCREW, fil-hd-slt (2) WASHER, lock (2)
38	650 651 C1	CABLE, front lamp connector to RH front lamp (\$)	113	650 381 C2	LAMP, instrument panel (+)
39	703 060 C1	CABLE, RH front lamp to LH front lamp (\$)	114		BATTERIES (Refer to "BATTERY and BATTERY SUPPORT") (4)
40	650 652 C1	CABLE, rear lamp connector to LH rear lamp (\$)	115		SWITCH, master (Refer to "MASTER SWITCH")
41	650 653 C1	CABLE, rear lamp connector to RH rear lamp (@)	116		LIGHT ASSY., LH rear (Refer to "HEADLIGHT and REAR LIGHT") (\$)
42		NOT USED	117		LIGHT ASSY., RH rear auxiliary (Refer to "HEADLIGHT, REAR LIGHT and AUXILIARY REAR LIGHT") (@)
43		NOT USED			
44		CABLE, cab circuit breaker to cab (To be supplied by cab vendor)			
45		CABLE, tapped back (Light Blue) (*)			
46	635 578 C1	CABLE, circuit breaker to air conditioner power connector ORANGE (Part of ATTACHMENT 710 462 C91)			
47	635 577 C1	CABLE, magnetic clutch connector to air conditioner connector BLACK/ORANGE (Part of ATTACHMENT, 710 462 C91)			
<u>MAIN COMPONENTS</u>			<u>CLIPS AND CLAMPS</u>		
101		LIGHT ASSY., RH and LH front (Refer to "HEADLIGHT") (\$)	A	299 410 C1	CLAMP, instrument harness (On LH bolt of water temperature gauge)
102		MOTOR ASSY., cranking (Refer to Engine Parts Catalog, EPC-400)	B		CLIP, welded
103	690 479 C91	ALTERNATOR ASSY., (Replaces 683 728 C91)(IH Heavy Duty)(For components see list of parts in Engine Parts Catalog EPC-400)(+)	C	363 441 R1	CLIP, on LH fender
	683 729 C1	PULLEY, alternator (+)	D		CLIP, welded
104	213 383 H1 120 361 436 574 121 801	BREAKER, circuit (50 amp) (+) NUT (2) SCREW, hex-hd cap (2) WASHER, internal tooth (2)	E	362 120 R1	CLIP, main harness (On bottom screw of water pump manifold)
105	706 125 C2 120 376 120 614 171 034 25 222 R1 174 878 120 214 120 217	SWITCH, magnetic NUT, 5/16" (4) NUT, No. 10 (4) SCREW, 1" long hex-hd cap (2) SCREW, 3/4" long hex-hd cap (2) WASHER, 1/4" int. tooth lock (2) WASHER, 5/16" lock (4) WASHER, No. 10 lock (4)	F	308 581 R1	CLIP, battery terminal (On bottom RH screw of control tower cover)
			G	622 963 C1	CLIP, main harness (On bottom mounting bolt of magnetic switch)
			H	363 444 R1 25 653 R1 116 120	CLIP, fender harness (On LH fender in front of seat cross bar) BOLT, hex-hd cap WASHER, lock
			J	363 660 R1 25 534 R1	CLIP, fender harness (On rear RH control tower cover mounting bolt) WASHER, flat
106		NOT USED			
107		SWITCH, starting (Refer to "STARTING SWITCH")			

(*) - Order INSTRUMENT HARNESS
 (@) - Part of RH auxiliary rear lamp attachment.
 (\$) - Part of electric lighting attachment
 (+) - Part of Heavy Duty Alternator Attachment.

ELECTRICAL

REF. NO.	PART NUMBER	DESCRIPTION	REF. NO.	PART NUMBER	DESCRIPTION
ELECTRIC STARTING AND LIGHTING – Continued (For Power Shift Equipped with Cab) 3386 and below			AD	267 787 R91	CLIP, master switch to cranking motor cable (On RH bottom bolt of seat frame support cross bar)
<u>CLIPS AND CLAMPS - Continued</u>			AE	616 282 C1	CLIP, master switch to cranking motor cable (On bottom bolt of brake pedal bracket)
K		CLIP, welded (3)		25 522 R1	NUT
L	264 164 R91	CLIP, rear lamp cable (On LH bottom battery support frame)		24 840 R1	SCREW, hex-hd cap
M		CLIP, welded		115 093	WASHER, lock
N		CLIP, welded		25 534 R1	WASHER, flat
P	362 120 R1	CLIP, RH front lamp cable (On RH bottom, center and top fan shroud mounting bolts) (3)	AF	702 093 C1	STRAP (Cable No. 19 to main harness (10) (+))
Q	263 717 R91	CLIP, front lamp cable (On lamp swivel bolts (\$) (2))	AG	362 120 R1	CLIP, rear lamp cable (on top and bottom rear bolts of RH seat side sheet) (2) (@)
R		CLIP, welded (2)	AH	263 514 R91	CLIP, lamp cable (on rear inner bolt of lamp bracket) (@)
S	263 514 R91	CLIP, lamp cable (On rear inner bolt of lamp bracket (\$))	<u>GROMMETS</u>		
T	362 120 R1	CLIP, rear lamp cable (On top and bottom rear bolts of seat side sheet) (2)	AA	338 065 R1	GROMMET, front lamp cable (On sides of radiator guard top header) (2) (\$))
U	362 120 R1	CLIP, lamp cable (On top inner bolt on front of fuel tank) (@)	BB	112 745	GROMMET (On RH seat side sheet) (On hydraulic application only)
V	267 788 R91	CLIP (On center bolt on lube filter manifold bottom)	CC	325 453 R2	GROMMET (on front frame rear LH side)
W	399 657 R1	CLIP (On breather tube mounting bolt)	DD	63 323 D	GROMMET (On LH side of dash) (+)
X	399 657 R1	CLIP (On alternator bracket rear mounting bolt)	<u>HARNESS</u>		
Y	267 788 R91	CLIP, main harness (On tapped hole on front frame above cranking motor)	632 317 C1		HARNESS, main (Consists of Ref. Nos. 7 thru 12 and 14 thru 21) (Order HARNESS, 706 047 C1; CABLE, 709 129 C1 and CABLE, 709 130 C1)
	24 838 R1	SCREW, hex-hd cap	706 047 C1		HARNESS, main (Consists of Ref. Nos. 7, 8, 10, 11, 13 thru 18, 20 and 21) (+)
	115 093	WASHER, lock	121 743		NUT
Z	616 282 C1	CLAMP, battery to solenoid cable (On rear bottom bolt of transmission filter mounting bracket)	121 744		WASHER, No. 12 flat
	24 838 R1	SCREW, hex-hd cap	120 217		WASHER, No. 19 flat
	115 093	WASHER, lock			
AB	308 581 R1	CLAMP, battery to solenoid cable (On hydraulic cooler hose clamp on LH fender)			
AC	604 388 C91	CLIP, master switch to cranking motor cable (On RH and LH upper bolts on torque converter housing) (2)			

(+) - Part of Heavy Duty Alternator Attachment.
 (@) - Part of RH auxiliary rear lamp attachment.
 (\$) - Part of electric lighting attachment

ELECTRICAL

REF. NO.	PART NUMBER	DESCRIPTION	REF. NO.	PART NUMBER	DESCRIPTION
ELECTRIC STARTING AND LIGHTING – Continued (For Power Shift Equipped with Cab) 3386 and below			709 302 C91		ATTACHMENT, heavy duty alternator (See NOTE 3) (Consists of -
				1 ALTERNATOR	683 728 C91
				2 BOLT	436 574
				1 BREAKER	213 383 H1
				1 CABLE	709 129 C1
				1 CABLE	709 130 C1
				2 CLIP	604 388 C91
				1 CLIP	622 963 C1
				1 GROMMET	63 323 D
				1 HARNESS	668 189 C2
				1 HARNESS	706 047 C1
				2 LAMP	650 381 C2
				2 NUT	120 361
				1 PLUG	444 571
				1 PULLEY	683 729 C1
				10 STRAP	702 093 C1
				1 TAG	1 085 499 R2
				1 VOLTMETER	651 688 C2
				2 WASHER	121 801)
<u>HARNESS - Continued</u>					
668 189 C2		HARNESS, instrument (Consists of Ref. Nos. 26 thru 31, 34, 35, 36 and 45) (+)			
115 999		NUT, No. 10 (2)			
25 662 R1		SCREW			
115 707		WASHER, lock			
178 387		WASHER, int-ext tooth lock (2)			
650 663 C1		HARNESS, fender (Consists of Ref. Nos. 22, 23 and 24)			
650 515 C1		HARNESS, safety starting switch (Consists of Ref. Nos. 32 and 33)			

MISCELLANEOUS

663 145 C91		ATTACHMENT, RH rear auxiliary lamp (See NOTE 4) (Consists of -			
		1 BRACKET	651 948 C1		
		1 CABLE	650 653 C1		
		1 CLIP	263 514 R91		
		3 CLIP	362 120 R1		
		1 LAMP	338 814 R91		
		2 NUT	120 371		
		2 NUT	271 500		
		1 SCREW	181 709		
		2 SCREW	179 860		
		1 SWIVEL	303 706 R1		
		2 WASHER	25 637 R1		
		2 WASHER	120 384)		
663 156 C91		ATTACHMENT, electric lighting (See NOTE 3) (Consists of -			
		1 BRACKET	651 948 C1		
		1 CABLE	650 651 C1		
		1 CABLE	703 060 C1		
		1 CABLE	621 834 C1		
		2 CLIP	263 717 R91		
		1 CLIP	263 514 R91		
		2 GROMMET	338 065 R1		
		2 GUARD	624 359 C2		
		3 LAMP	338 814 R91		
		3 LOCKWASHER	138 530		
		2 NUT	271 500		
		6 NUT	120 371		
		3 SCREW	181 709		
		10 SCREW	179 860		
		3 SWIVEL	303 706 R1		
		10 WASHER	103 322		
		8 WASHER	103 342		
		2 WASHER	25 637 R1		
		6 WASHER	120 384)		

(+) - Part of Heavy Duty Alternator Attachment.

NOTE 3- Field Application - Order through Regular Parts Channels.

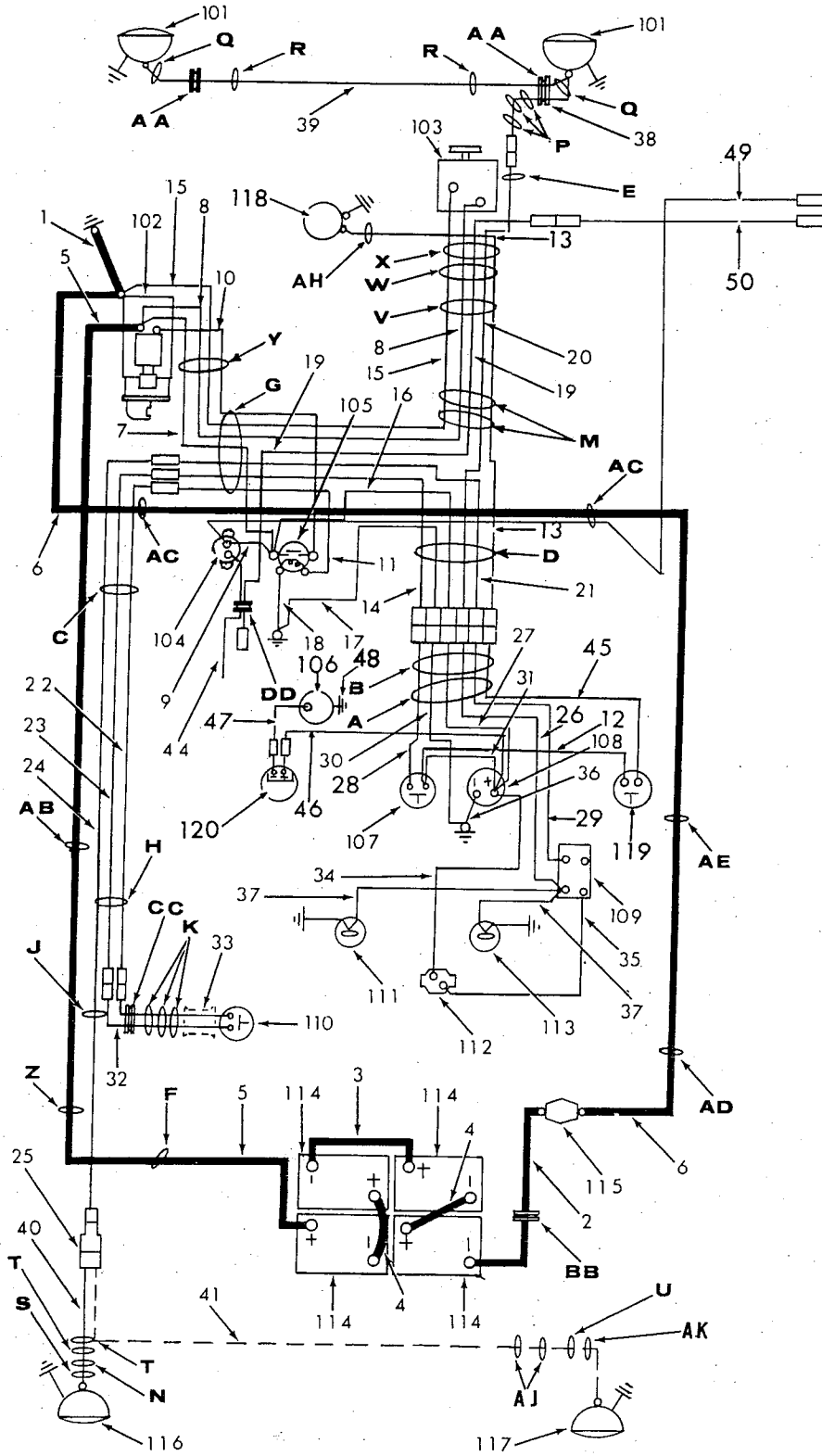
NOTE 4 - Attachment no longer available. Service parts will be furnished.

ELECTRICAL

MEMORANDA

ELECTRICAL

ELECTRIC STARTING AND LIGHTING (For Power Shift) 3387 to 4180



CF-113783A

ELECTRICAL

REF. NO.	PART NUMBER	DESCRIPTION	REF. NO.	PART NUMBER	DESCRIPTION
ELECTRIC STARTING AND LIGHTING – Continued (For Power Shift) 3387 to 4180			19	709 130 C1	CABLE, magnetic clutch connector to cab magnetic clutch connector (Black & Orange) (Cable used on air conditioning cab only)
CABLES			20		CABLE, dash connector to front lamp connector (Dark Blue) (%)
1	297 909 R92 138 549	CABLE, frame terminal on cranking motor to tapped hole in front frame WASHER, int. tooth lock (2)	21		CABLE, dash connector to fender connector (Pink) (%)
2	650 632 C1	CABLE, master switch to negative terminal on battery	22		CABLE, fender connector to safety starting switch connector (White) (¢)
3	624 397 C2	CABLE, battery to battery long	23		CABLE, fender connector to safety starting switch connector (Black/Red) (¢)
4	253 738 R92	CABLE, battery to battery short (2)	24		CABLE, fender connector to rear lamp connector (Pink) (¢)
5	650 657 C2	CABLE, positive terminal on battery to "B" terminal on solenoid	25	283 983 R91	"Y" CONNECTOR
6	345 582 R92	CABLE, master switch to frame terminal on solenoid	26		CABLE, dash connector to "H" terminal on light switch (Dark Blue) (*)
7		CABLE, "B" terminal on solenoid to "H" terminal on magnetic switch (Red) (%)	27		CABLE, dash connector to positive terminal on voltmeter (Red) (*)
8		CABLE, "B" terminal on solenoid to output on alternator (Red) (%)	28		CABLE, dash connector to starting switch (Black/Red) (*)
9	709 129 C1	CABLE, cab circuit breaker to magnetic switch (Only used on machines equipped w/Cab) (+)	29		CABLE, dash connector to "R" terminal on light switch (Pink) (*)
10		CABLE, "S" terminal on solenoid to magnetic switch (White) (%)	30		CABLE, dash connector to instrument panel ground screw (*)
11		CABLE, fender connector to magnetic switch (White) (%)	31		CABLE, starting switch to positive terminal on voltmeter (Red) (*)
12		CABLE, start switch to ether switch (White) (Refer to "Ether Injector - Electric")	32		CABLE, safety starting switch connector to starting switch (Black/Red) (&)
13		CABLE, dash connector to ether valve (Light Blue) (%)	33		CABLE, safety starting switch connector to starting switch (White) (&)
14		CABLE, dash connector to fender connector (Black/Red) (%)	34		CABLE, positive on voltmeter to circuit breaker (Orange) (*)
15		CABLE, ground terminal on alternator to frame terminal on cranking motor (%)	35		CABLE, circuit breaker to "B" terminal on light switch (Orange) (*)
16		CABLE, dash connector to "H" terminal on magnetic switch (Red) (%)	36		CABLE, negative on voltmeter to instrument panel ground screw (*)
17		CABLE, dash connector to magnetic switch mounting bolt (%)			
18		CABLE, magnetic switch to magnetic switch mounting bolt (%)			

(&) - Order SAFETY STARTING SWITCH HARNESS.
 (¢) - Order FENDER HARNESS.
 (%) - Order MAIN HARNESS.
 (*) - Order INSTRUMENT HARNESS.

ELECTRICAL

REF. NO.	PART NUMBER	DESCRIPTION	REF. NO.	PART NUMBER	DESCRIPTION
ELECTRIC STARTING AND LIGHTING -- Continued (For Power Shift) 3387 to 4180			105	706 125 C2	SWITCH, magnetic
				120 376	NUT, 5/16" (4)
				120 614	NUT, No. 10 (4)
				171 034	SCREW, 1" long hex-hd cap (2)
				25 222 R1	SCREW, 3/4" long hex-hd cap (2)
				174 878	WASHER, 1/4" int. tooth lock (2)
				120 214	WASHER, 5/16" lock (4)
				120 217	WASHER, No. 10 lock (4)
<u>CABLES - Continued</u>			106		SWITCH, engine oil pressure (Refer to "GAUGE PIPING")
37		CABLE, instrument panel lamp to "H" terminal on light switch (Part of LAMP, 650 381 C2) (2)	107		SWITCH, starting (Refer to "STARTING SWITCH")
38	650 651 C1	CABLE, front lamp connector to RH front lamp (\$)	108		VOLTMETER (Refer to "INSTRUMENT and INSTRUMENT PANEL")
39	703 060 C1	CABLE, RH front lamp to LH front lamp (\$)	109		SWITCH, lighting (Refer to "LIGHTING SWITCH")
40	650 652 C1	CABLE, rear lamp connector to LH rear lamp (\$)	110	621 771 C91	SWITCH, safety starting
41	650 653 C1	CABLE, rear lamp connector to RH rear lamp (@)		177 717 R1	NUT, face
42		NOT USED	111	650 381 C2	LAMP, instrument panel
43		NOT USED	112	124 087 H1	BREAKER, circuit (15 amp)
44		CABLE, cab circuit breaker to cab (To be supplied by cab vendor)		110 633	NUT (2)
45		CABLE, dash connector to ether start switch (Light Blue) (*)		110 490	SCREW, fil-hd-slt (2)
46	709 064 C1	CABLE, voltmeter (pos) to hourmeter (pos) connector		106 497	WASHER, lock (2)
47	709 155 C1	CABLE, hourmeter (neg) to engine oil pressure switch	113	650 381 C2	LAMP, instrument panel
48	650 407 C1	CABLE, engine oil pressure switch to junction block mounting bolt (Not used with internal grounded pressure switch)	114		BATTERIES (Refer to "BATTERY and BATTERY SUPPORT") (4)
		3387 to #	115		SWITCH, master (Refer to "MASTER SWITCH")
49	635 578 C1	CABLE, circuit breaker to air conditioner power connector ORANGE (Part of ATTACHMENT, 710 462 C91)	116		LIGHT ASSY., LH rear (Refer to "HEADLIGHT and REAR LIGHT") (\$)
50	635 577 C1	CABLE, magnetic clutch connector to air conditioner connector. BLACK/ORANGE (Part of ATTACHMENT, 710 462 C91)	117		LIGHT ASSY., RH rear auxiliary (Refer to "HEADLIGHT, REAR LIGHT and AUXILIARY REAR LIGHT") (@)
<u>MAIN COMPONENTS</u>			118		VALVE, ether starting (Refer to "ETHER INJECTOR - Electric")
101		LIGHT ASSY., RH and LH front (Refer to "HEADLIGHT") (\$)	119		SWITCH, ether starting (Refer to "ETHER INJECTOR - Electric")
102		MOTOR ASSY., cranking (Refer to "Engine Parts Catalog, EPC-400")	120		HOURMETER (Refer to "INSTRUMENT PANEL and GAUGES")
103		ALTERNATOR ASSY., (Delco) (For components see list of parts in "Engine Parts Catalog EPC-400")	<u>CLIPS AND CLAMPS</u>		
103	683 728 C91	ALTERNATOR ASSY., (IH Heavy Duty) (For components see list of parts in "Engine Parts Catalog EPC-400") (+)	A	299 410 C1	CLAMP, instrument harness (On LH bolt of water temperature gauge)
	683 729 C1	PULLEY, alternator (+)			
104	213 383 H1	BREAKER, circuit (50 amp) (+)			
	120 361	NUT (2)			
	436 574	SCREW, hex-hd cap (2)			
	121 801	WASHER, internal tooth (2)			

- Serial Number Not Available.
 (*) - Order INSTRUMENT HARNESS.
 (@) - Part of RH auxiliary rear lamp attachment.
 (\$) - Part of electric lighting attachment.
 (+) - Part of Heavy Duty Alternator Attachment.

ELECTRICAL

REF. NO.	PART NUMBER	DESCRIPTION	REF. NO.	PART NUMBER	DESCRIPTION
ELECTRIC STARTING AND LIGHTING – Continued (For Power Shift) 3387 to 4180			Z	616 282 C1	CLAMP, battery to solenoid cable (On rear bottom bolt of transmission filter mounting bracket)
				24 838 R1	SCREW, hex-hd cap
				115 093	WASHER, lock
<u>CLIPS AND CLAMPS - Continued</u>			AB	308 581 R1	CLAMP, battery to solenoid cable (On hydraulic cooler hose clamp on LH fender)
B		CLIP, welded	AC	604 388 C91	CLIP, master switch to cranking motor cable (On RH and LH upper bolts on torque converter housing) (2)
C	358 902 R1	CLIP, on top front bolt of decelerator mounting bracket	AD	267 787 R91	CLIP, master switch to cranking motor cable (On RH bottom bolt of seat frame support cross bar)
D		CLIP, welded	AE	616 282 C1	CLIP, master switch to cranking motor cable (On bottom bolt of brake pedal bracket)
E	362 120 R1	CLIP, main harness (On bottom screw of water pump manifold)		25 522 R1	NUT
F	308 581 R1	CLIP, battery terminal (On bottom RH screw of control tower cover)		24 840 R1	SCREW, hex-hd cap
G	604 388 C91	CLIP, main harness (On top mounting bolt of magnetic switch)		115 093	WASHER, lock
H	363 444 R1	CLIP, fender harness (On LH fender in front of seat cross bar)		25 534 R1	WASHER, flat
	25 653 R1	BOLT, hex-hd cap	AF	702 093 C1	STRAP (Cable No. 19 to main harness) (10) (+)
	116 120	WASHER, lock	AH	702 093 C1	STRAP, ether cable to hose from pump to thermostat housing
J	363 660 R1	CLIP, fender harness (On bottom RH control tower cover mounting bolt)	AJ	362 120 R1	CLIP, rear lamp cable (On top and bottom rear bolts of seat side sheet) (2) (@)
	25 534 R1	WASHER, flat	AK	263 514 R91	CLIP, rear lamp cable (On rear inner bolt of lamp bracket) (@)
K		CLIP, welded (3)	<u>GROMMETS</u>		
M		CLIP, welded	AA	338 065 R1	GROMMET, front lamp cable (On sides of radiator guard top header) (2) (\$)
N		CLIP, welded	BB	112 745	GROMMET (On RH seat side sheet) (On hydraulic application only)
P	362 120 R1	CLIP, RH front lamp cable (On RH bottom, center and top fan shroud mounting bolts) (3)	CC	325 453 R2	GROMMET (On front frame rear LH side)
Q	263 717 R91	CLIP, front lamp cable (On lamp swivel bolts (\$) (2)	DD	63 323 D	GROMMET (On LH side of dash) (+)
R		CLIP, welded (2)	<u>HARNESSES</u>		
S	263 514 R91	CLIP, lamp cable (On rear inner bolt of lamp bracket (\$) (2)		706 047 C3	HARNESSES, main (Consists of Ref. Nos. 7, 8, 10, 11, 13 thru 18, 20 and 21)
T	362 120 R1	CLIP, rear lamp cable (On top and bottom rear bolts of seat side sheet) (2)		121 743	NUT
U	362 120 R1	CLIP, lamp cable (On top inner bolt on front of fuel tank) (@)		121 744	WASHER, No. 12 flat
V	740 110 C1	CLIP (On center bolt on lube filter manifold bottom)		120 217	WASHER, No. 19 flat
W	740 110 C1	CLIP (On breather tube mounting bolt)			
X	740 110 C1	CLIP (On alternator bracket rear mounting bolt)			
Y	604 388 C91	CLIP, main harness (On tapped hole on front frame above cranking motor)			
	24 838 R1	SCREW, hex-hd cap			
	115 093	WASHER, lock			

(@) - Part of RH auxiliary rear lamp attachment.
 (\$) - Part of electric lighting attachment.
 (+) - Part of Heavy Duty Alternator Attachment.

ELECTRICAL

REF. NO.	PART NUMBER	DESCRIPTION	REF. NO.	PART NUMBER	DESCRIPTION
ELECTRIC STARTING AND LIGHTING -Continued (For Power Shift) 3387 to 4180					
<u>HARNESS - Continued</u>					
668 189 C2		HARNESS, instrument (Consists of Ref. Nos. 26 thru 31, 34, 35, 36 and 45)	632 304 C91		ATTACHMENT, electric lighting (For use on machines equipped with ROPS Front Sweep attachment (Not for machines equipped with cab) (See NOTE 3) (Consists of -
115 999		NUT, No. 10 (2)		1 BRACKET	651 948 C1
25 662 R1		SCREW		1 CABLE	621 834 C1
115 707		WASHER, lock		1 CABLE	650 653 C1
178 387		WASHER, int-ext tooth lock (2)		1 CABLE	663 113 C1
650 663 C1		HARNESS, fender (Consists of Ref. Nos. 22, 23 and 24)		1 CLIP	263 514 R91
650 515 C1		HARNESS, safety starting switch (Consists of Ref. Nos. 32 and 33)		2 CLIP	276 956 R91
<u>MISCELLANEOUS</u>				1 DRAWING	CZG-1330
629 486 C92		ATTACHMENT, electric lighting (Not for machines equipped with ROPS Canopy or Cab) (See NOTE 3) (Consists of -		1 GROMMET	338 065 R1
		1 CABLE		1 GUARD	663 058 C1
		1 CABLE		3 LAMP	338 814 R91
		1 CABLE		3 LOCKWASHER	138 530
		1 CONNECTOR		2 NUT	271 500
		2 CLIP		6 NUT	120 371
		1 CLIP		3 SCREW	181 709
		2 GROMMET		12 SCREW	179 860
		2 GUARD		3 SWIVEL	303 706 R1
		1 GUARD		12 WASHER	103 322
		3 LAMP		8 WASHER	103 342
		3 LOCKWASHER		4 WASHER	25 637 R1
		4 NUT		6 WASHER	120 384)
		6 NUT		628 247 C92	ATTACHMENT, RH auxiliary rear lamp (Not for machines equipped w/260 Rear Cable Control Unit or ROPS Canopy or Cab) (See NOTE 4) (Consists of -
		3 SCREW		1 CABLE	650 653 C1
		12 SCREW		2 CLIP	362 120 R1
		3 SWIVEL		1 CLIP	263 514 R91
		3 SCREW		1 CLIP	362 120 R1
		3 SWIVEL		1 GUARD	651 628 C1
		12 WASHER		1 LAMP	338 814 R91
		8 WASHER		2 NUT	120 371
		4 WASHER		4 NUT	271 500
		6 WASHER		4 SCREW	179 860
663 156 C91		ATTACHMENT, electric lighting (For use on machines equipped with ROPS Canopy but not with Front Sweep attachment) (Also for machines equipped with cab) (See NOTE 3) (Consists of -		1 SCREW	181 709
		1 BRACKET		1 SWIVEL	303 706 R1
		1 CABLE		4 WASHER	25 637 R1
		1 CABLE		4 WASHER	103 322
		1 CABLE		2 WASHER	120 384)
		1 CABLE			
		2 CLIP			
		1 CLIP			
		1 CONNECTOR			
		2 GROMMET			
		2 GUARD			
		3 LAMP			
		3 LOCKWASHER			
		2 NUT			
		6 NUT			
		3 SCREW			

NOTE 3 - Field Application - Order through Regular Parts Channels.

NOTE 4 - Attachment No Longer Available. Service Parts Will Be Furnished.

ELECTRICAL

REF. NO.	PART NUMBER	DESCRIPTION	REF. NO.	PART NUMBER	DESCRIPTION
-------------	----------------	-------------	-------------	----------------	-------------

ELECTRIC STARTING AND LIGHTING -Continued
 (For Power Shift)
 3387 to 4180

MISCELLANEOUS - Continued

663 145 C91	ATTACHMENT, RH rear auxiliary lamp (For use on machines equipped with ROPS Canopy or cab and electric lighting) (See NOTE 4) (Consists of -	<ul style="list-style-type: none"> 1 BRACKET 651 948 C1 1 CABLE 650 653 C1 1 CLIP 263 514 R91 3 CLIP 362 120 R1 1 LAMP 338 814 R91 2 NUT 120 371 2 NUT 271 500 1 SCREW 181 709 2 SCREW 179 860 1 SWIVEL 303 706 R1 2 WASHER 25 637 R1 2 WASHER 120 384)
632 462 C91	ATTACHMENT, heavy duty alternator (See NOTE 2) (Consists of -	<ul style="list-style-type: none"> 1 ALTERNATOR 683 728 C91 2 BOLT 436 574 1 BREAKER 213 383 H1 1 CABLE 709 129 C1 1 CABLE 709 130 C1 1 DRAWING CZG 3362 1 GROMMET 63 323 D 2 NUT 120 361 1 PULLEY 683 729 C1 10 STRAP 702 093 C1 1 TAG 1 085 499 R2 2 WASHER 121 801)

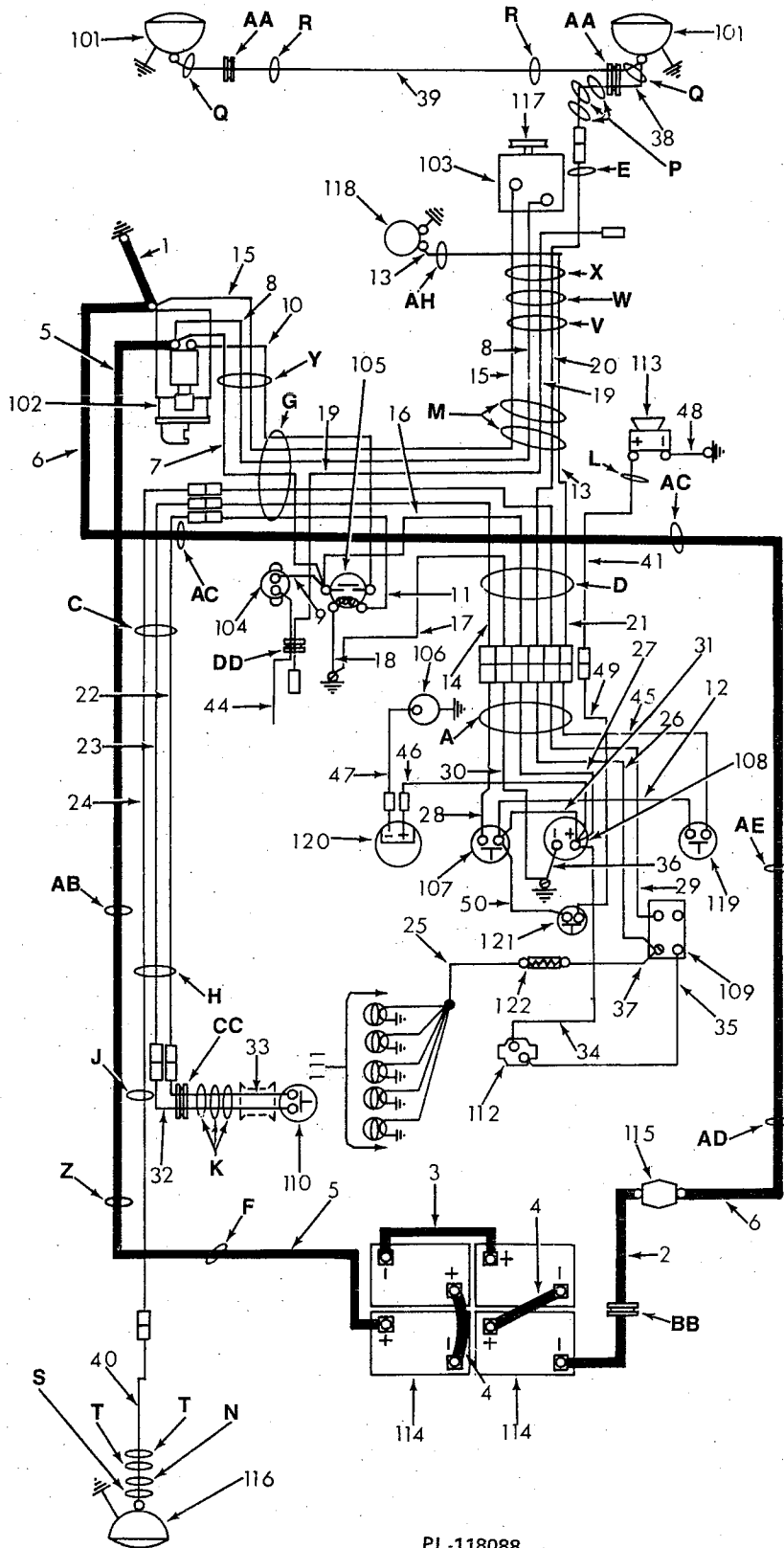
NOTE 2: - Field Application - Order on Machine Order Form.

NOTE 4 - Attachment No Longer Available.
 Service Parts Will Be Furnished.

ELECTRICAL

REF. NO.	PART NUMBER	DESCRIPTION	REF. NO.	PART NUMBER	DESCRIPTION
----------	-------------	-------------	----------	-------------	-------------

ELECTRIC STARTING AND LIGHTING – Continued
(For Power Shift)
4181 and up



ELECTRICAL

REF. NO.	PART NUMBER	DESCRIPTION	REF. NO.	PART NUMBER	DESCRIPTION
ELECTRIC STARTING AND LIGHTING – Continued (For Power Shift) 4181 and up			19	709 130 C1	CABLE, magnetic clutch connector to cab magnetic clutch connector (Black & Orange) (Cable used on air conditioning cab only)
<u>CABLES</u>			20		CABLE, dash connector to front lamp connector (Dark Blue) (%)
1	740 184 C1	CABLE, frame terminal on cranking motor to tapped hole inside wall of frame	21		CABLE, dash connector to fender connector (Pink) (%)
2	650 632 C1	CABLE, master switch to negative terminal on battery	22		CABLE, fender connector to safety starting switch connector(White)(&)
3	624 397 C2	CABLE, battery to battery long	23		CABLE, fender connector to safety starting switch connector(Black/Red) (&)
4	253 738 R92	CABLE, battery to battery short (2)	24		CABLE, fender connector to rear lamp connector (Pink) (&)
5	650 657 C2	CABLE, positive terminal on battery to "B" terminal on solenoid	25	715 631 C1	CABLE, instrument lamps to resistor
6	345 582 R92	CABLE, master switch to frame terminal on solenoid	26		CABLE, dash connector to "H" terminal on light switch (Dark Blue)(*)
7		CABLE, "B" terminal on solenoid to "H" terminal on magnetic switch (Red) (%)	27		CABLE, dash connector to positive terminal on voltmeter (Red) (*)
8		CABLE, "B" terminal on solenoid to output on alternator (Red) (%)	28		CABLE, dash connector to starting switch (Black/Red) (*)
9	709 129 C1	CABLE, cab circuit breaker to magnetic switch(Only used on machines equipped w/Cab)	29		CABLE, dash connector to "R" terminal on light switch (Pink) (*)
10		CABLE, "S" terminal on solenoid to magnetic switch (White) (%)	30		CABLE, dash connector to instrument panel ground screw (*)
11		CABLE, fender connector to magnetic switch (White) (%)	31		CABLE, starting switch to positive terminal on voltmeter (Red) (*)
12		CABLE, start switch to ether switch (White) (Refer to "Ether Injector-Electric")	32		CABLE, safety starting switch connector to starting switch (Black/Red)(&)
13		CABLE, dash connector to ether valve (Light Blue) (%)	33		CABLE, safety starting switch connector to starting switch (White) (&)
14		CABLE, dash connector to fender connector (Black/Red) (%)	34		CABLE, positive on voltmeter to circuit breaker (Orange) (*)
15		CABLE, ground terminal on alternator to frame terminal on cranking motor (%)	35		CABLE, circuit breaker to "B" terminal on light switch (Orange) (*)
16		CABLE, dash connector to "H" terminal on magnetic switch (Red) (%)	36		CABLE, negative on voltmeter to instrument panel ground screw (*)
17		CABLE, dash connector to magnetic switch mounting bolt (%)	37	650 638 C1	CABLE, resistor to "H" terminal on light switch
18		CABLE, magnetic switch to magnetic switch mounting bolt (%)	38	650 651 C1	CABLE, front lamp connector to RH front lamp (\$)

(&) - Order SAFETY STARING SWITCH HARNESS.
 (&) - Order FENDER HARNESS.
 (%) - Order MAIN HARNESS.
 (*) - Order INSTRUMENT HARNESS.

ELECTRICAL

REF. NO.	PART NUMBER	DESCRIPTION	REF. NO.	PART NUMBER	DESCRIPTION
ELECTRIC STARTING AND LIGHTING – Continued (For Power Shift) 4181 and up			106		SWITCH, engine oil pressure (Refer to "GAUGE PIPING")
			107		SWITCH, starting (Refer to "STARTING SWITCH")
			108		VOLTMETER (Refer to "INSTRUMENT and INSTRUMENT PANEL")
			109		SWITCH, lighting (Refer to "LIGHTING SWITCH")
<u>CABLES – Continued</u>			110	621 771 C91 177 717 R1	SWITCH, safety starting NUT, face
39	703 060 C1	CABLE, RH front lamp to LH front lamp (\$)	111	23 872 C1	LAMP, instrument panel (5)
40	621 834 C1	CABLE, rear lamp connector to LH rear lamp (\$)	112	706 142 C1 110 633 110 487 106 497	BREAKER, circuit (15 amp) NUT (2) SCREW, fil-hd-slt (2) WASHER, lock (2)
41	709 155 C1	CABLE, horn connector to horn positive	113	736 130 C1 OR	HORN, electric warning
44		CABLE, cab circuit breaker to cab (To be supplied by cab vendor)	113	737 365 C1 189 295 21 622 R1 25 534 R1 740 353 C1	HORN, electric warning BOLT (2) NUT (2) WASHER (2) PLATE, name
45		CABLE, dash connector to ether start switch (Light Blue) (*)	114		BATTERIES (Refer to "BATTERY and BATTERY SUPPORT") (4)
46	709 064 C1	CABLE, voltmeter (pos) to hourmeter (pos) connector	115		SWITCH, master (Refer to "MASTER SWITCH")
47	709 155 C1	CABLE, hourmeter (neg) to engine oil pressure switch	116		LIGHT ASSY., LH rear (Refer to "HEADLIGHT and REAR LIGHT")(\$)
48	664 937 C1	CABLE, horn (neg) to horn mounting bolt	117	683 729 C1	PULLEY, alternator
49	681 723 C1	CABLE, horn switch to horn connector	118		VALVE, ether starting (Refer to "ETHER INJECTOR - Electric")
50	650 357 C1	CABLE, horn switch to starting switch	119		SWITCH, ether starting (Refer to "ETHER INJECTOR-Electric")
<u>MAIN COMPONENTS</u>			120		HOURMETER (Refer to "INSTRUMENT PANEL and GAUGES")
101		LIGHT ASSY., RH and LH front (Refer to "HEADLIGHT") (\$)	121	627 670 C1 OR	SWITCH, horn
102		MOTOR ASSY., cranking (Refer to "Engine Parts Catalog, EPC-400")	121	453 453 C1	SWITCH, horn
103		ALTERNATOR ASSY., (Heavy Duty) (For components see list of parts in "Engine Parts Catalog EPC-400 and EPC-400B")	122		RESISTOR (Refer to "INSTRUMENT PANEL and GAUGES")
104	213 383 H 120 361 436 574 121 801	BREAKER, circuit (50 amp) NUT (2) SCREW, hex-hd cap (2) WASHER, internal tooth (2)	125	706 125 C2 120 376 120 614 25 222 R1 174 878 120 214 120 217	SWITCH, magnetic NUT, 5/16" (2) NUT, No. 10 (2) SCREW, 3/4" long hex-hd cap (2) WASHER, 1/4" int. tooth lock (2) WASHER, 5/16" lock (2) WASHER, No. 10 lock (2)

(*) - Order INSTRUMENT HARNESS.
 (@) - Part of RH auxiliary rear lamp attachment.
 (\$) - Part of electric lighting attachment.

ELECTRICAL

REF. NO.	PART NUMBER	DESCRIPTION	REF. NO.	PART NUMBER	DESCRIPTION
ELECTRIC STARTING AND LIGHTING – Continued					
(For Power Shift)					
4181 and up					
<u>CLIPS AND CLAMPS</u>					
A	299 410 C1	CLAMP, instrument harness (On LH bolt of water temperature gauge)	W	740 110 C1	CLIP (On breather tube mounting bolt)
C	358 902 R1	CLIP, on top front bolt of decelerator mounting bracket	X	740 110 C1	CLIP (On alternator bracket rear mounting bolt)
D	622 965 C1	CLIP, welded	Y	604 388 C91	CLIP, main harness (On tapped hole on front frame above cranking motor)
E	362 120 R1	CLIP, main harness (On bottom screw of water pump manifold)		24 838 R1	SCREW, hex-hd cap
F	308 581 R1	CLIP, battery terminal (On bottom RH screw of control tower cover)		115 093	WASHER, lock
G	604 388 C91	CLIP, main harness (On top mounting bolt of magnetic switch)	Z	616 282 C1	CLAMP, battery to solenoid cable (On rear bottom bolt of transmission filter mounting bracket)
H	363 444 R1	CLIP, fender harness (On LH fender in front of seat cross bar)		24 838 R1	SCREW, hex-hd cap
	25 653 R1	BOLT, hex-hd cap		115 093	WASHER, lock
	116 120	WASHER, lock	AB	308 581 R1	CLAMP, battery to solenoid cable (On hydraulic cooler hose clamp on LH fender)
J	363 660 R1	CLIP, fender harness (On bottom RH control tower cover mounting bolt)	AC	604 388 C91	CLIP, master switch to cranking motor cable (On RH and LH upper bolts on torque converter housing) (2)
	25 534 R1	WASHER, flat	AD	267 787 R91	CLIP, master switch to cranking motor cable (On RH bottom bolt of seat frame support cross bar)
K	622 962 C1	CLIP, welded (3)	AE	616 282 C1	CLIP, master switch to cranking motor cable (On bottom bolt of brake pedal bracket)
L	384 554 C1	CLIP, on horn mounting bolt		25 522 R1	NUT
M	622 965 C1	CLIP, welded		24 840 R1	SCREW, hex-hd cap
N	622 965 C1	CLIP, welded		115 093	WASHER, flat
P	362 120 R1	CLIP, RH front lamp cable (On RH bottom, center and top fan shroud mounting bolts) (3)		25 534 R1	WASHER, flat
Q	263 717 R91	CLIP, front lamp cable (On lamp swivel bolts (\$) (2)	AF	702 093 C1	STRAP (Cable No. 19 to main harness)(10)
R	264 186 R1	CLIP, welded (2)	AH	702 093 C1	STRAP, ether cable to hose from pump to thermo housing
S	263 514 R91	CLIP, lamp cable (On rear inner bolt of lamp bracket) (\$) (2)		702 093 C1	STRAP (4)
T	362 120 R1	CLIP, rear lamp cable (On top and bottom rear bolts of seat side sheet)(2)	<u>GROMMETS</u>		
V	740 110 C1	CLIP (On center bolt on lube filter manifold bottom)	AA	338 065 R1	GROMMET, front lamp cable (On sides of radiator guard top header) (2) (\$) (2)
			BB	112 745	GROMMET (On RH seat side sheet) (On hydraulic application only)
			CC	325 453 R2	GROMMET (On front frame rear LH side)
			DD	63 323 D	GROMMET (On LH side of dash)

(\$) - Part of electric lighting attachment.

ELECTRICAL

REF. NO.	PART NUMBER	DESCRIPTION
----------	-------------	-------------

REF. NO.	PART NUMBER	DESCRIPTION
----------	-------------	-------------

ELECTRIC STARTING AND LIGHTING – Continued
(For Power Shift)
4181 and up

HARNESSES

740 707 C1	HARNESSES, main (Consists of Ref.Nos. 7, 8, 10, 11, 13 thru 18, 20 and 21)
121 743	NUT
121 744	WASHER, No. 12 flat
120 217	WASHER, No. 19 flat
668 189 C3	HARNESSES, instrument (Consists of Ref. Nos. 26 thru 31, 34, 35, 36 and 45)
115 999	NUT, No. 10 (2)
25 662 R1	SCREW
115 707	WASHER, lock
178 387	WASHER, int-ext tooth lock (2)
740 766 C1	HARNESSES, fender (Consists of Ref. Nos. 22, 23 and 24)
650 515 C1	HARNESSES, safety starting switch (Consists of Ref. Nos. 32 and 33)

MISCELLANEOUS

629 486 C92	ATTACHMENT, electric lighting (Not for machines equipped with ROPS Canopy or Cab) (See NOTE 3)
	(Consists of—
	1 CABLE 650 651 C1
	1 CABLE 703 060 C1
	1 CABLE 621 834 C1
	1 CONNECTOR 283 983 R91
	2 CLIP 263 717 R91
	1 CLIP 263 514 R91
	2 GROMMET 338 065 R1
	2 GUARD 624 359 C2
	3 LAMP 338 814 R91
	3 LOCKWASHER 138 530
	4 NUT 271 500
	6 NUT 120 371
	3 SCREW 181 709
	12 SCREW 179 860
	3 SWIVEL 303 706 R1
	12 WASHER 103 322
	8 WASHER 103 342
	4 WASHER 25 637 R1
	6 WASHER 120 384)

663 156 C91	ATTACHMENT, electric lighting (For use on machines equipped with ROPS Canopy but not with Front Sweep attachment)(Also for machines equipped with cab)(See NOTE 3)
	(Consists of—
	1 BRACKET 651 948 C1
	1 CABLE 650 651 C1
	1 CABLE 703 060 C1
	1 CABLE 621 834 C1
	2 CLIP 263 717 R91
	1 CLIP 263 514 R91
	1 CONNECTOR 283 983 R91
	2 GROMMET 338 065 R1
	2 GUARD 624 359 C2
	3 LAMP 338 814 R91
	3 LOCKWASHER 138 530
	2 NUT 271 500
	6 NUT 120 371
	3 SCREW 181 709
	10 SCREW 179 860
	3 SWIVEL 303 706 R1
	10 WASHER 103 322
	8 WASHER 103 342
	2 WASHER 25 637 R1
	6 WASHER 120 384)

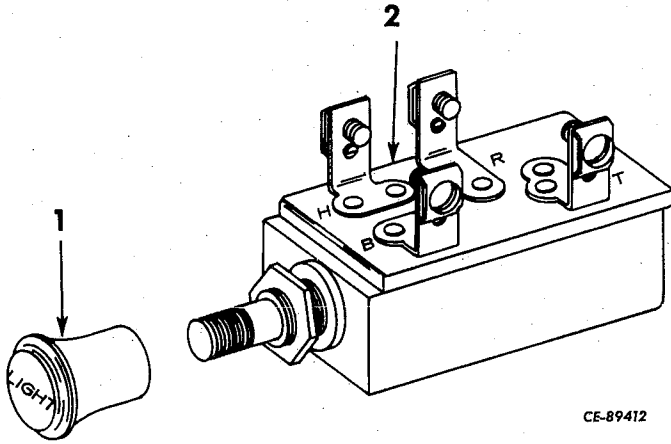
632 304 C91	ATTACHMENT, electric lighting (For use on machines equipped with ROPS Front Sweep attachment)(Not for machines equipped with cab) (See NOTE 3)
	(Consists of—
	1 BRACKET 651 948 C1
	1 CABLE 650 653 C1
	1 CABLE 663 113 C1
	1 CABLE 621 834 C1
	1 CLIP 263 514 R91
	2 CLIP 276 956 R91
	1 DRAWING CZG 1330
	1 GROMMET 338 065 R1
	1 GUARD 663 058 C1
	3 LAMP 338 824 R91
	3 LOCKWASHER 138 530
	2 NUT 271 500
	6 NUT 120 371
	6 SCREW 179 860
	3 SCREW 181 709
	3 SWIVEL 303 706 R1
	6 WASHER 103 322
	4 WASHER 103 342
	2 WASHER 25 637 R1
	6 WASHER 120 384)

NOTE 3: - Field Application - Order through
Regular Parts Channels.

ELECTRICAL

REF. NO.	PART NUMBER	DESCRIPTION
----------	-------------	-------------

LIGHTING SWITCH

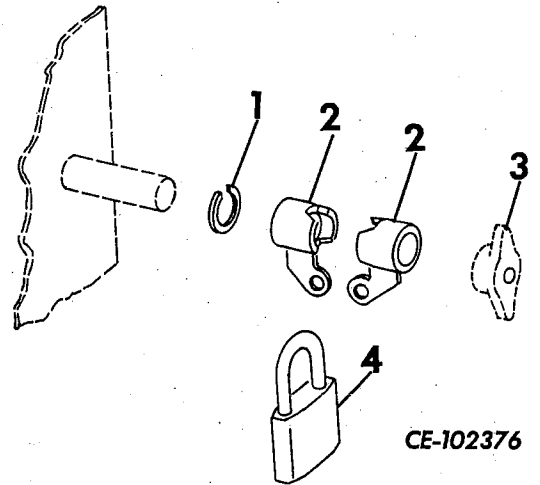


CE-89412

- | | | |
|---|------------------------|---|
| 1 | 606 299 C91 | KNOB, lighting switch |
| 2 | 606 298 C91
138 547 | SWITCH, lighting
WASHER, internal-tooth lock |

REF. NO.	PART NUMBER	DESCRIPTION
----------	-------------	-------------

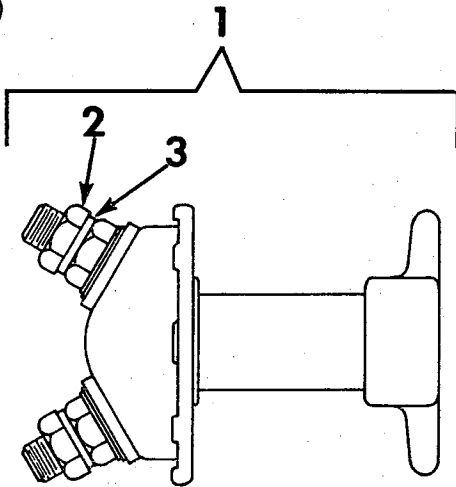
MASTER SWITCH LOCK AND PADLOCK WITH KEYS



CE-102376

- | | | |
|---|-------------|--------------------------------------|
| 1 | | NOT USED |
| 2 | 650 937 C1 | SLEEVE, lock (2) |
| 3 | | KNOB, master switch (Reference only) |
| 4 | 650 382 C91 | PADLOCK w/KEYS |

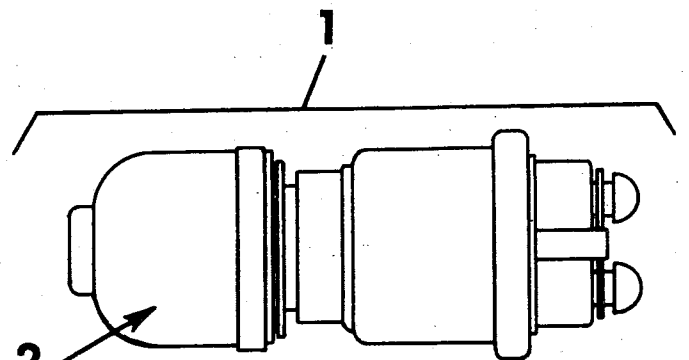
MASTER SWITCH (Douglas)



CE-99944

- | | | |
|---|------------|--|
| 1 | 728 154 C1 | SWITCH ASSY., master (Replaces 1 996 496) |
| | 25 529 R1 | NUT (2) |
| | 25 483 R1 | SCREW, hex-hd cap (2) |
| | 115 109 | WASHER, lock (2) |
| 2 | 453 787 | NUT, terminal (2) |
| 3 | 9 421 425 | WASHER, terminal nut lock (2) |

STARTING SWITCH (2636 and below)



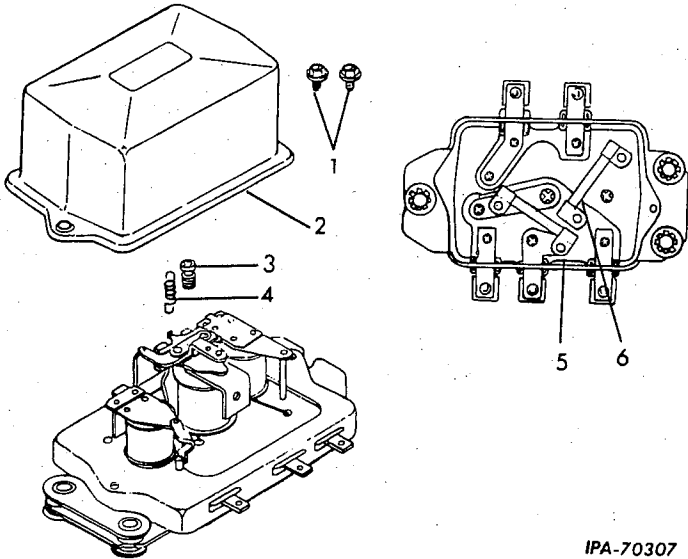
CE-89409

- | | | |
|---|-------------|---|
| 1 | 700 395 C91 | SWITCH w/CAP and face NUT, 702 268 C1, starting |
| 2 | 702 268 C1 | CAP and FACE NUT |

ELECTRICAL

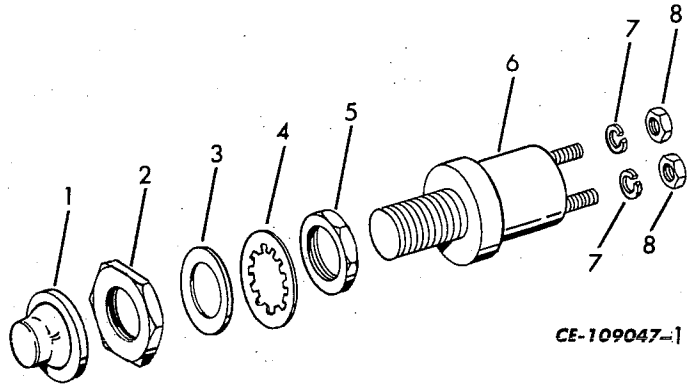
REF. NO.	PART NUMBER	DESCRIPTION	REF. NO.	PART NUMBER	DESCRIPTION
----------	-------------	-------------	----------	-------------	-------------

VOLTAGE REGULATOR (Delco-Remy)



IPA-70307

STARTING SWITCH (Delco Remy) (2637 and up)



CE-109047-1

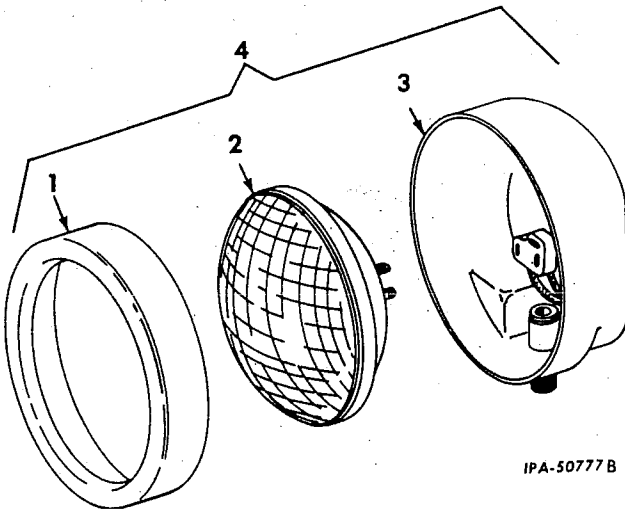
Illustrations are of Typical Parts Only

	1 119 518	REGULATOR ASSY., voltage (Consists of Ref. Nos. 1 thru 6)		1 996 098	SWITCH ASSY., starting (Consists of the following parts -
	22 798 R1	SCREW, hex-hd cap (2)	1		CAP (Not furnished separately)
	120 380	WASHER, lock (2)	2	1 968 171	NUT
	174 878	WASHER, int-ext tooth lock (LH side)	3	1 913 828	WASHER
		(Composed of -	4	138 557	WASHER, internal tooth lock
1	1 943 386	SCREW, cover attaching (2)	5	1 914 379	NUT, hex
2		COVER, regulator (Not furnished separately)	6		BODY (Not furnished separately)
3	1 958 148	SCREW, adjusting	7	120 217	WASHER, terminal lock (2)
4	1 958 137	SPRING, adjusting screw	8	453 284	NUT, terminal hex (2)
5	1 956 235	RESISTOR			
6	1 960 347	RESISTOR			

ELECTRICAL

REF. NO.	PART NUMBER	DESCRIPTION
----------	-------------	-------------

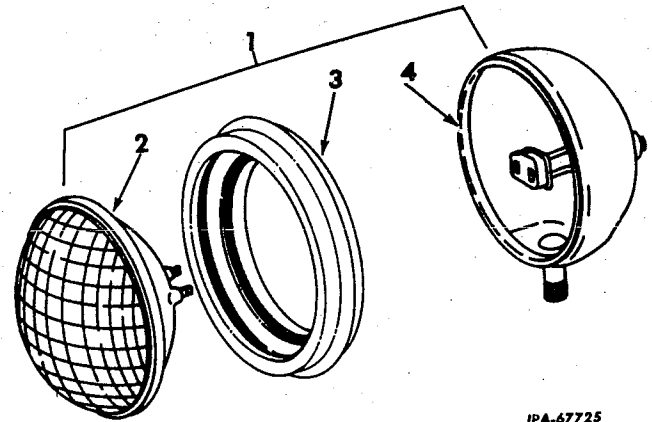
HEADLIGHT, REAR LIGHT AND RH AUXILIARY REAR LIGHT
 (Part of Lighting Attachments, and RH Rear Auxiliary Light Attachment)
 (Hobbs)



- | | | |
|---|-------------|---|
| 1 | 313 957 R1 | RETAINER, light (4) |
| 2 | 273 560 | UNIT, sealed (4) |
| 3 | | SHELL (Not furnished separately) (4) |
| 4 | 327 189 R91 | HEADLIGHT, REAR LIGHT and RH AUXILIARY REAR LIGHT ASSY. (Optional with 338 814 R91) (4) |
| | 120 371 | NUT, NF (4) |
| | 120 384 | WASHER, lock (4) |
| | 446 229 | WASHER, upper (Used with GUARD, 330 714 R11) (4) |
| | 600 658 C1 | WASHER, lower (Used with GUARD, 330 714 R11) (4) |

REF. NO.	PART NUMBER	DESCRIPTION
----------	-------------	-------------

HEADLIGHT, REAR LIGHT AND RH AUXILIARY REAR LIGHT
 (Part of Lighting Attachments, and RH Rear Auxiliary Light Attachment)
 (Guide Lamp)

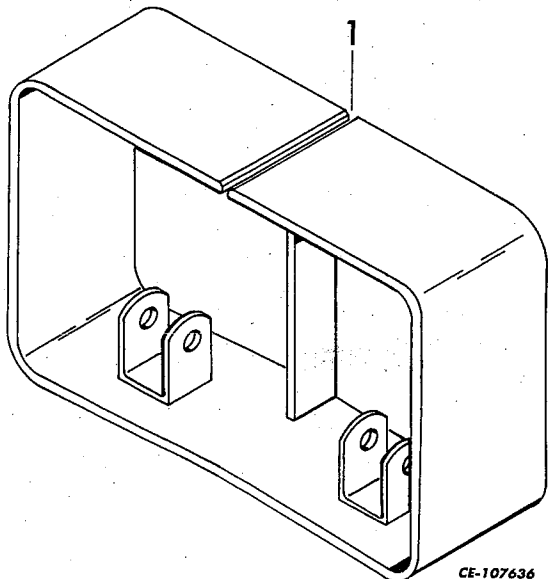


- | | | |
|---|-------------|---|
| 1 | 338 814 R91 | HEADLIGHT, REAR LIGHT and RH AUXILIARY REAR LIGHT ASSY. (Optional with 327 189 R91) (4) |
| | 120 371 | NUT, NF (4) |
| | 120 384 | WASHER, lock (4) |
| | 446 229 | WASHER, upper (Used with GUARD, 330 714 R11) (4) |
| | 600 658 C1 | WASHER, lower (Used with GUARD, 330 714 R11) (4) |
| 2 | 273 560 | UNIT, sealed (4) |
| 3 | 338 896 R1 | RETAINER, light (4) |
| 4 | | SHELL (Not furnished separately) (4) |

ELECTRICAL

REF. NO.	PART NUMBER	DESCRIPTION
----------	-------------	-------------

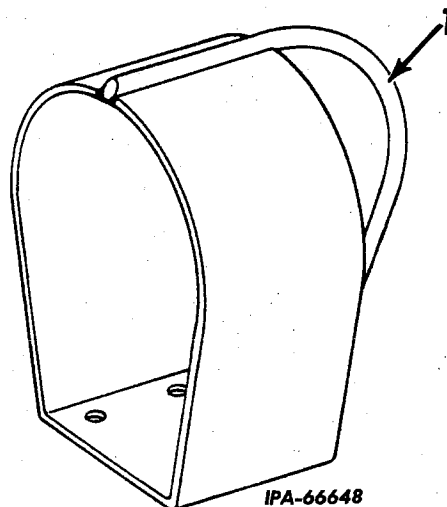
FRONT LAMP GUARD
 (Part of Electric Lighting Attachment)
 (For use on Machines Equipped with ROPS Front Sweep Attachment)



- | | | |
|---|------------|-----------------------|
| 1 | 663 058 C1 | GUARD, front lamp |
| | 179 860 | SCREW, hex-hd cap (4) |
| | 103 322 | WASHER, lock (4) |
| | 103 342 | WASHER, flat (4) |

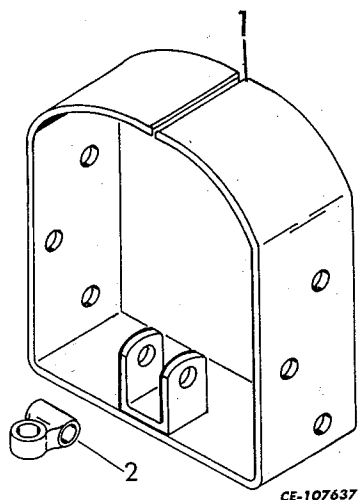
REF. NO.	PART NUMBER	DESCRIPTION
----------	-------------	-------------

REAR LIGHT BRUSH GUARD
 (Part of Electric Lighting Attachment and RH Auxiliary Rear Light Attachment)



- | | | |
|---|-------------|--|
| 1 | 330 714 R11 | GUARD, light
(Order the following parts - |
| | 1 | GUARD 651 628 C1 |
| | 1 | NUT 120 371 |
| | 1 | SCREW 181 709 |
| | 1 | SWIVEL 303 706 R1 |
| | 1 | WASHER 120 384) |
| | 179 860 | SCREW, hex-hd cap (4) |
| | 103 322 | WASHER, lock (4) |
| | 271 500 | NUT (4) |

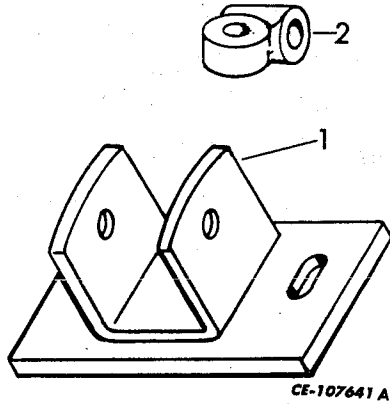
REAR LIGHT BRUSH GUARD
 (Part of Electric Lighting Attachment and RH Auxiliary Rear Light Attachment)
 (For use on Machines not Equipped with ROPS Canopy)



- | | | |
|---|------------|-------------------|
| 1 | 651 628 C1 | GUARD, light |
| 2 | 303 706 R1 | SWIVEL, light |
| | 120 371 | NUT |
| | 181 709 | SCREW, hex-hd cap |
| | 120 384 | WASHER, lock |

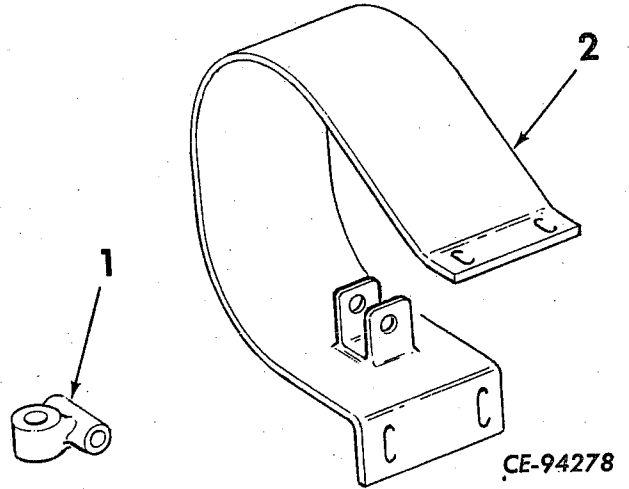
ELECTRICAL

REF. NO.	PART NUMBER	DESCRIPTION
REAR LIGHT BRACKET		
(Part of Electric Lighting Attachment and RH Auxiliary Rear Light Attachment)		
(For Machines Equipped with ROPS Canopy)		



- | | | |
|---|--|--|
| 1 | 651 948 C1
271 500
179 860
103 322
25 637 R1 | BRACKET, lamp mounting
NUT (2)
SCREW, hex-hd cap (2)
WASHER, lock (2)
WASHER, flat (2) |
| 2 | 303 706 R1
120 371
181 709
120 384 | SWIVEL, lamp
NUT
SCREW, hex-hd cap
WASHER, lock |

REF. NO.	PART NUMBER	DESCRIPTION
HEADLIGHT BRUSH GUARD		
(Part of Electric Lighting Attachment)		

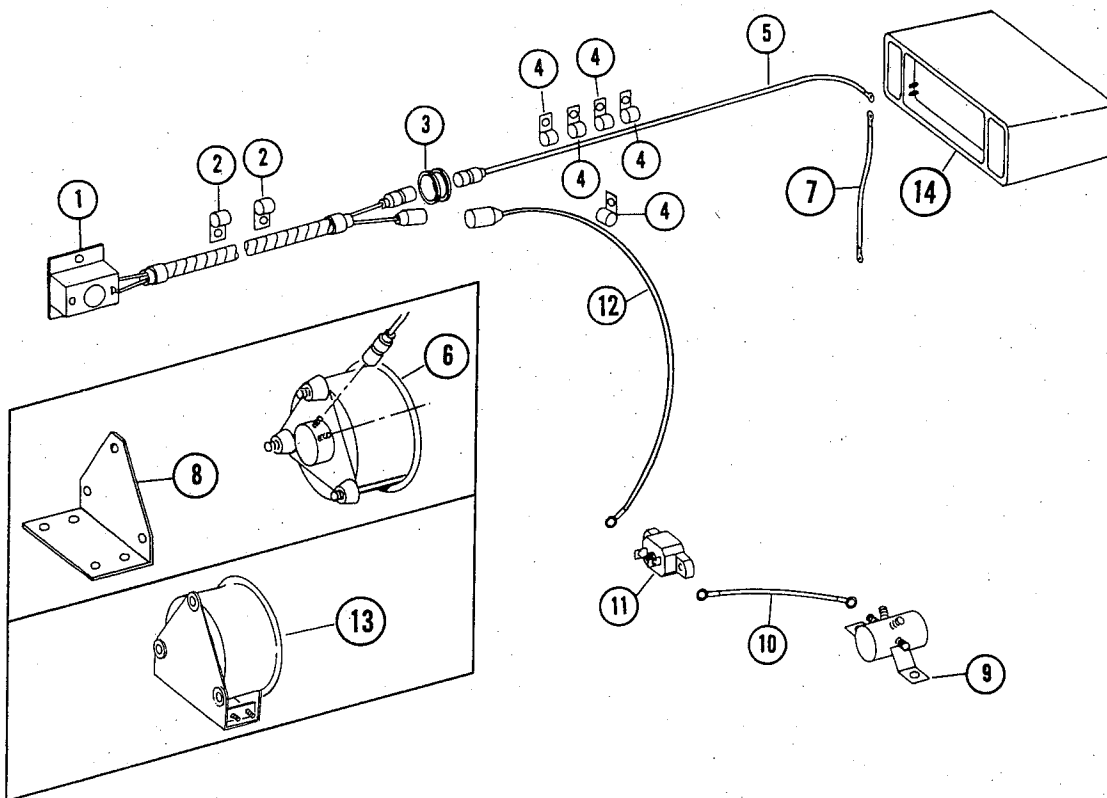


- | | | |
|---|---|---|
| 1 | 303 706 R1
181 709
120 384
120 371 | SWIVEL, light (2)
SCREW, hex-hd cap (2)
WASHER, lock (2)
NUT (2) |
| 2 | 624 359 C2
179 860
103 342
103 322 | GUARD, light (2)
SCREW, hex-hd cap (8)
WASHER, flat (8)
WASHER, lock (8) |

ELECTRICAL

REF. NO.	PART NUMBER	DESCRIPTION	REF. NO.	PART NUMBER	DESCRIPTION
----------	-------------	-------------	----------	-------------	-------------

ELECTRIC WARNING HORN 4576 and below



CE-103224 C

	663 104 C91	ATTACHMENT, electric warning horn (See NOTE 3) (Consists of the following parts -	9		SWITCH, magnetic (Not furnished as part of Attachment)
1	663 101 C1 167 084 120 217	SWITCH, push button SCREW, pan-hd tapping (2) WASHER, lock (2)	10	624 231 C1	CABLE, "H" terminal on magnetic switch to circuit breaker
2	362 121 R1	CLIP, cable (2)	11	740 150 C1 110 495 106 497 120 391 110 633	BREAKER, circuit (Replaces, 683 072 C1)(2 amps) SCREW, hex-hd cap (2) WASHER, lock (2) WASHER, flat (2) NUT (2)
3	617 259 C1	GROMMET	12	651 835 C1	CABLE, circuit breaker to push button switch ground
4	362 120 R1	CLIP, cable (5)	13	668 080 C2 109 084 179 799 120 392 174 878	HORN w/BRACKET, electric (Not used w/BRACKET,663 062 C1) NUT, hex (4) SCREW, hex-hd cap (4) WASHER, flat (4) WASHER, int-tooth lock (4)
5	663 103 C1	CABLE, push button switch connector to horn terminal	14	736 130 C1	HORN, electric warning
6	663 093 C1	HORN, electric warning(Used w/ BRACKET, 663 062 C1)	OR		
7	663 063 C1	CABLE, horn ground terminal to mounting bolt	14	737 365 C1 21 622 R1 189 295 25 534 R1	HORN, electric warning NUT (2) BOLT (2) WASHER (2)
8	663 062 C1 180 126 120 382 120 377	BRACKET, horn mounting(Used w/ HORN, 663 093 C1) SCREW, hex-hd cap (4) WASHER, lock (4) NUT (4)	NOTE 3		Field Application - Order through Regular Parts Channels.

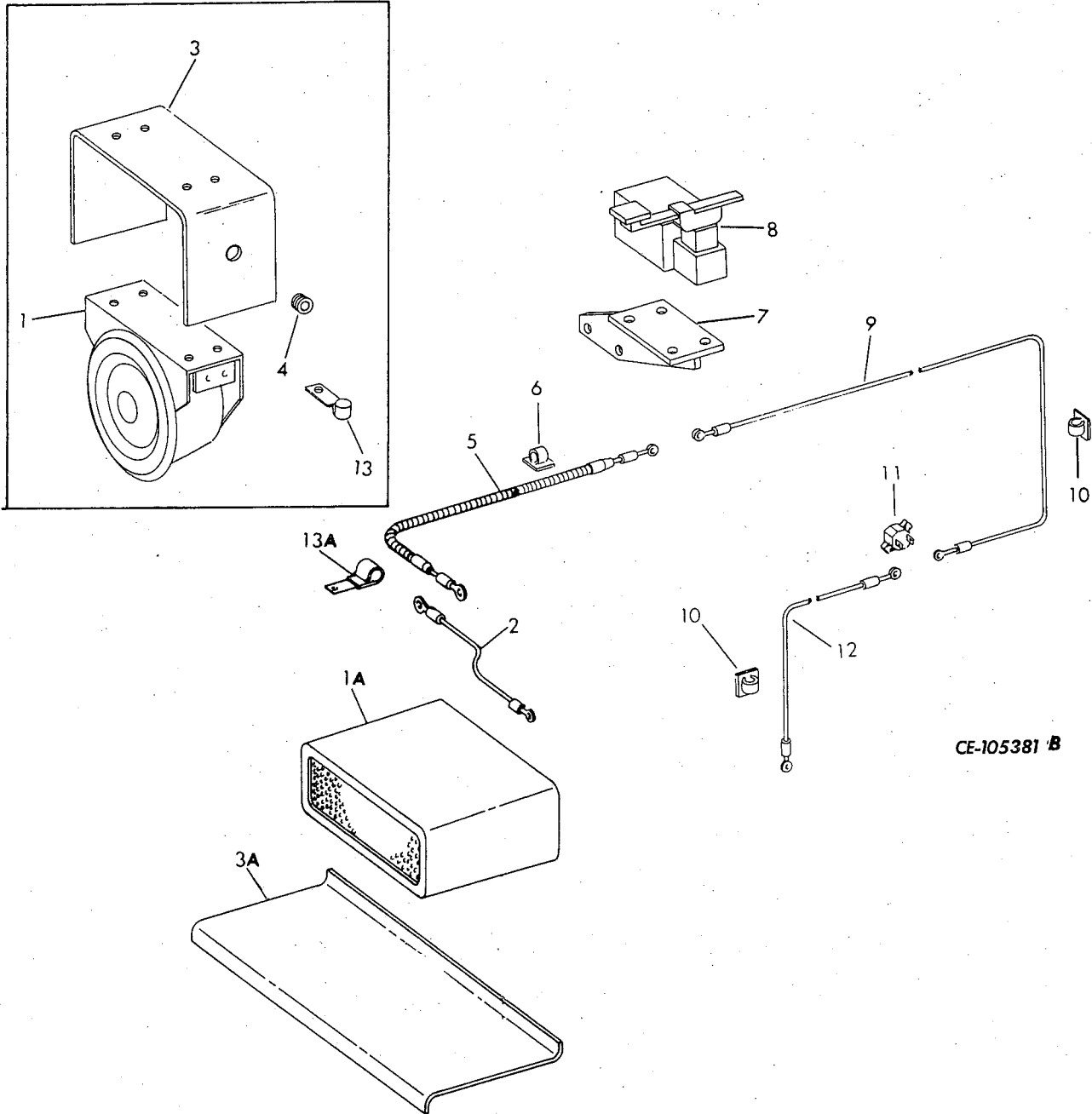
ELECTRICAL

MEMORANDA

ELECTRICAL

REF. NO.	PART NUMBER	DESCRIPTION	REF. NO.	PART NUMBER	DESCRIPTION
----------	-------------	-------------	----------	-------------	-------------

BACK-UP ALARM
(Manual Shift and Custom Application)



CE-105381 B

ELECTRICAL

REF. NO.	PART NUMBER	DESCRIPTION	REF. NO.	PART NUMBER	DESCRIPTION
BACK-UP ALARM —Continued (Manual Shift and Custom Application)					
A	629 994 C1	ATTACHMENT, back-up alarm(Order Attachement, 629 997 C1) (See NOTE 4)	9	663 187 C1	CABLE, pressure switch to circuit breaker
B	629 997 C91	ATTACHMENT, back-up alarm (See NOTES 1 and 3) (Consists of the following parts—	10	663 189 C1	CLAMP (15)
1	663 478 C2	ALARM, back-up (Used w/GUARD, 663 485 C1)(A)	11	740 150 C1	CIRCUIT BREAKER (Replaces, 683 072 C1) (2 amp)
	109 084	NUT (4)		110 633	NUT (2)
	179 795	SCREW, hex-hd cap (4)		110 495	SCREW, hex-hd cap (2)
	120 392	WASHER, flat (8)		106 497	WASHER, lock
	103 319	WASHER, lock (4)		120 391	WASHER, flat (2)
1A	736 131 C1	ALARM, back-up	12	663 187 C1	CABLE, circuit breaker to power source
	OR		13	363 660 R1	CLIP, on RH rear bolt of alarm(Used w/ALARM, 663 478 C1)(A)
1A	737 188 C1	ALARM, back-up	13A	384 558 R1	CLIP, on mounting bolt of alarm bracket(Used w/BRACKET, 740 301 C1) (B)
	27 606 R1	BOLT (2)		663 188 C1	PACKAGE, terminals
	25 522 R1	NUT (2)		663 182 C1	BRACKET, switch mounting (Not used on TD-15C)
	25 534 R1	WASHER, flat (2)			
2	266 770 R91	CABLE, alarm to alarm mounting bolt			
3	663 485 C1	GUARD, alarm(Used w/ALARM, 663 478 C2)(A)			
	179 837	SCREW, hex-hd cap (4)			
	103 321	WASHER, lock (4)			
	120 394	WASHER, flat (4)			
3A	740 302 C1	BRACKET, alarm mounting (A)			
3A	740 301 C1	BRACKET, alarm mounting (B)			
	208 491 R1	BOLT (4)			
9	418 646	NUT (4)			
	25 710 R1	WASHER, flat (4)			
4	108 827 R1	GROMMET, on RH side of alarm guard (Used w/GUARD, 663 485 C1) (A)			
5	663 186 C1	CABLE, alarm to pressure switch			
6	663 185 C1	CLAMP (10)			
7	651 784 C1	BRACKET, switch mounting assembly			
	25 480 R1	SCREW, hex-hd cap (4)			
	115 109	WASHER (4)			
8	663 181 C1	SWITCH, limit			
	651 798 C1	GRIP, switch cable			

NOTE 1: - Factory Application - Order on Machine Order Form.

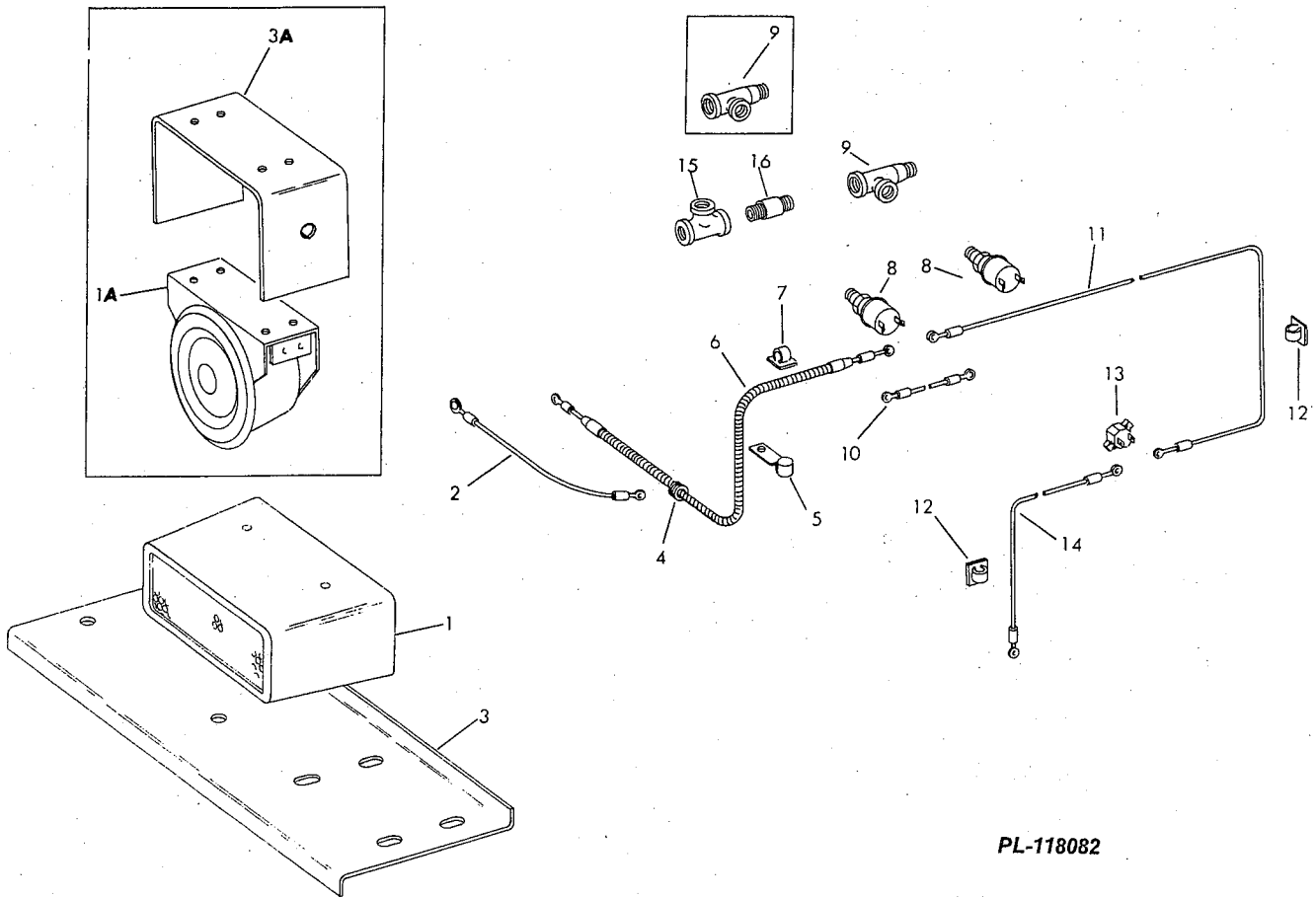
NOTE 3: - Field Application - Order through Regular Parts Channels.

NOTE 4: - Attachment No Longer Available - Service Parts Will Be Furnished.

ELECTRICAL

REF. NO.	PART NUMBER	DESCRIPTION	REF. NO.	PART NUMBER	DESCRIPTION
----------	-------------	-------------	----------	-------------	-------------

**BACK-UP ALARM
(Power Shift)**



PL-118082

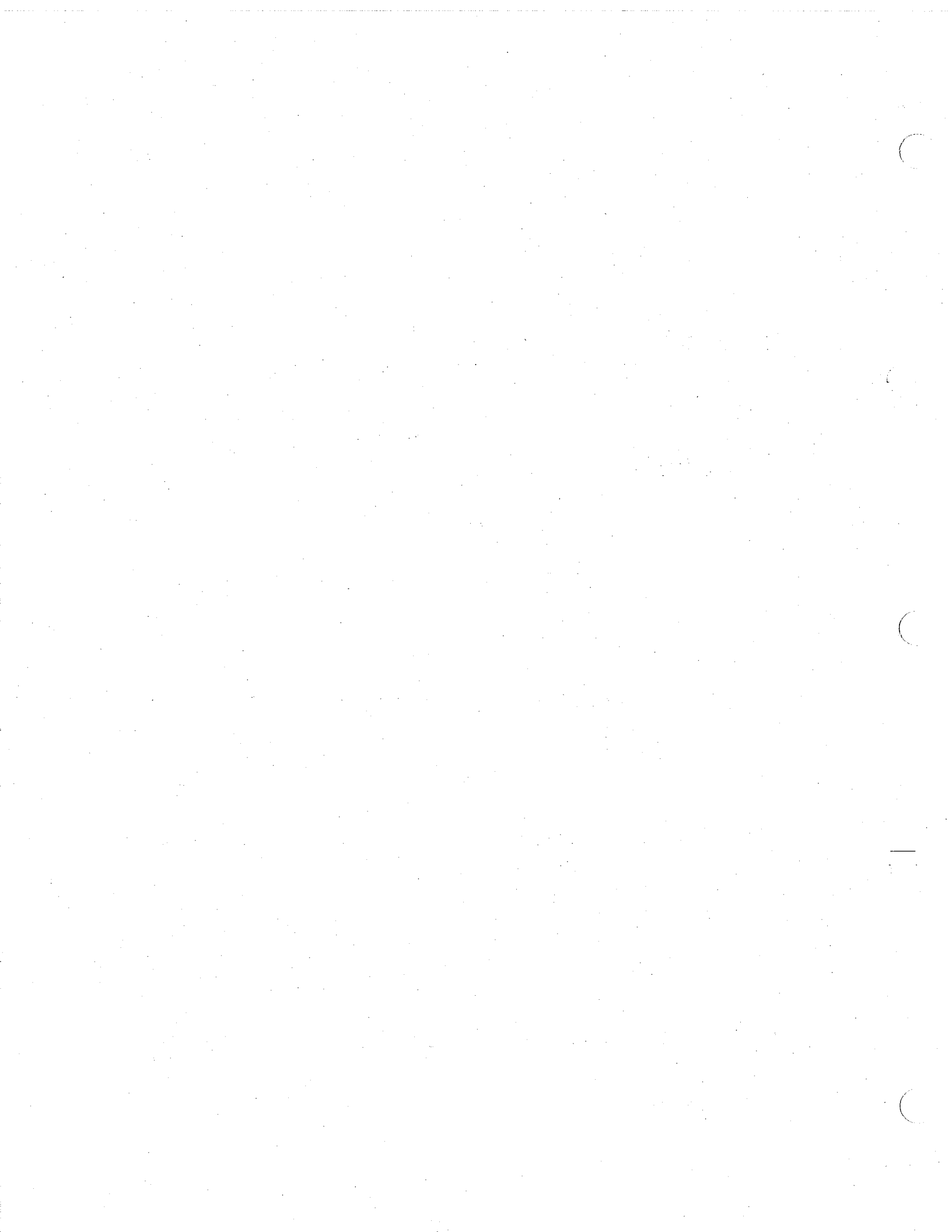
ELECTRICAL

REF. NO.	PART NUMBER	DESCRIPTION	REF. NO.	PART NUMBER	DESCRIPTION
BACK-UP ALARM (Power Shift)					
A	632 119 C91	ATTACHMENT, back-up alarm(Or- der ATTACHMENT, 737 156 C91) (See NOTE 4)	9	444 253	TEE, pressure switch (2 for A and B) (1 for C)
B	629 995 C91	ATTACHMENT, back-up alarm(Or- der ATTACHMENT, 737 156 C91) (See NOTE 4)	10	650 354 C1	CABLE, switch to switch (2)
C	737 156 C91	ATTACHMENT, back-up alarm(See NOTES 1 and 3)	11	663 187 C1	CABLE, pressure switch to circuit breaker
1A	663 478 C2	ALARM, back-up (Used w/GUARD, 663 485 C1) (A)	12	663 189 C1	CLAMP (15)
	179 795	BOLT (4)	13	740 150 C1	CIRCUIT BREAKER (Replaces 683 072 C1) (2 amps)
	109 084	NUT (4)		110 633	NUT (2)
	120 392	WASHER, flat (8)		110 495	SCREW, hex-hd cap (2)
	103 319	WASHER, lock (4)		106 497	WASHER, lock (2)
1	737 188 C1	ALARM, back-up (Used w/BRACKET 740 301 C1)(Replaces,715 662 C1) (B AND C)		120 391	WASHER, flat (2)
	OR		14	663 187 C1	CABLE, circuit breaker to power source
1	736 131 C1	ALARM, back-up (Used w/BRACKET 740 301 C1) (B AND C)	15	9 409 935	TEE (C)
	27 606 R1	BOLT (2)	16	118 985	NIPPLE (C)
	25 522 R1	NUT (2)			
	25 534 R1	WASHER, flat (2)			
2	266 770 R91	CABLE, alarm to alarm mounting bolt			
3	740 301 C1	BRACKET, alarm mounting (Used w/ ALARM, 737 188 C1 or 736 131 C1) (B AND C)			
	208 491 R1	BOLT (4)			
	9 418 646	NUT (4)			
	25 710 R1	WASHER (4)			
3A	663 485 C1	GUARD, alarm (Used w/ALARM, 663 478 C2) (A)			
	179 837	BOLT (4)			
	103 321	WASHER, lock (4)			
	120 394	WASHER, flat (4)			
4	108 827 R1	GROMMET, on RH side of alarm guard (A)			
5	384 558 R	CLIP, on mounting bolt of alarm bracket			
6	663 186 C1	CABLE, alarm to pressure switch			
7	663 185 C1	CLAMP (10)			
8	740 985 C1	SWITCH, pressure (Replaces 651 828 C1) (2)			

NOTE 1: - Factory Application - Order on Machine Order Form.

NOTE 3: - Field Application - Order through Regular Parts Channels.

NOTE 4: - Attachment No Longer Available - Service Parts Will Be Furnished.



**REFER TO ALPHABETICAL INDEX
FOR COMPLETE LISTING OF PARTS**

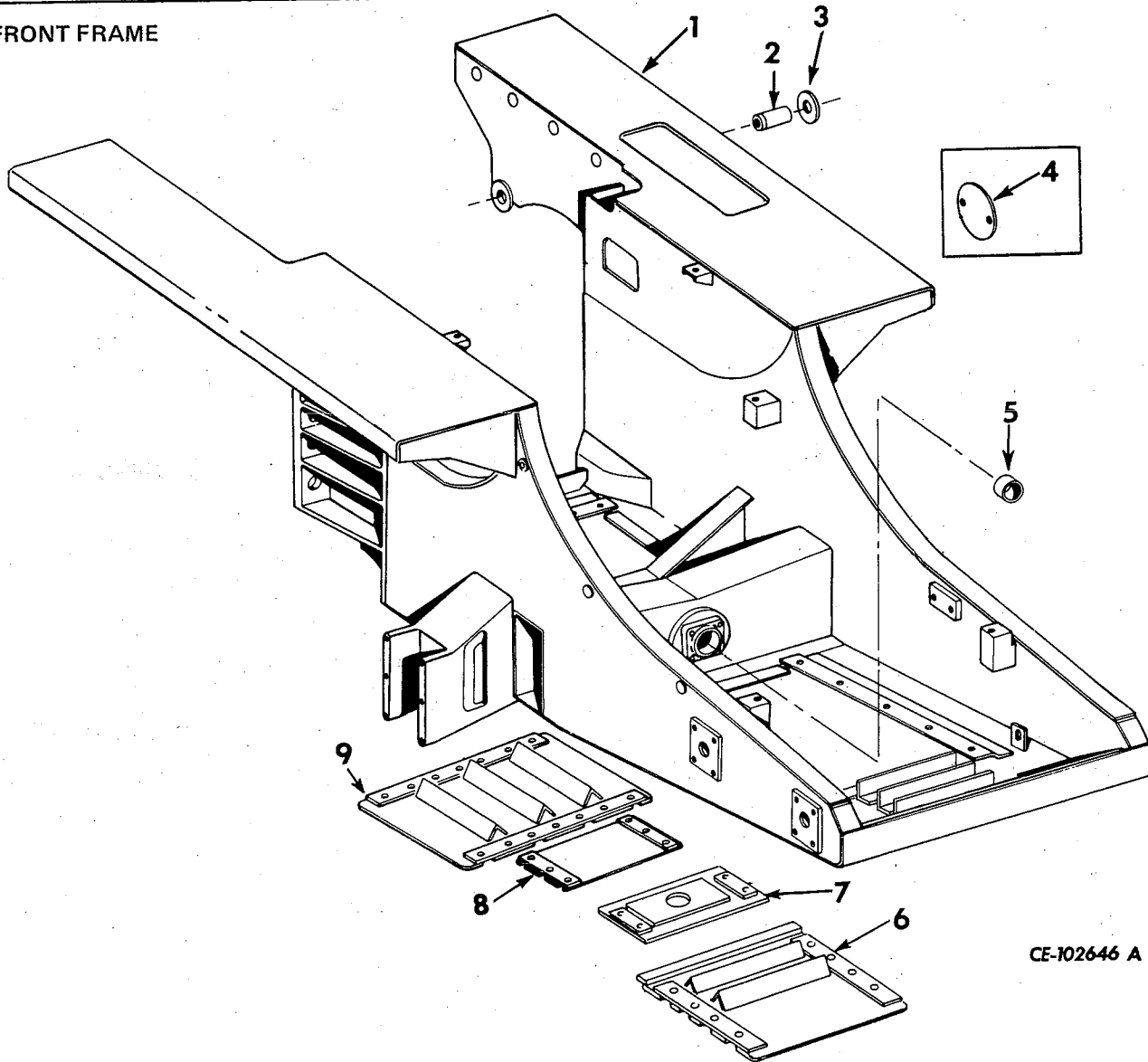
FRAME

9

FRAME

REF. NO.	PART NUMBER	DESCRIPTION	REF. NO.	PART NUMBER	DESCRIPTION
----------	-------------	-------------	----------	-------------	-------------

FRONT FRAME



CE-102646 A

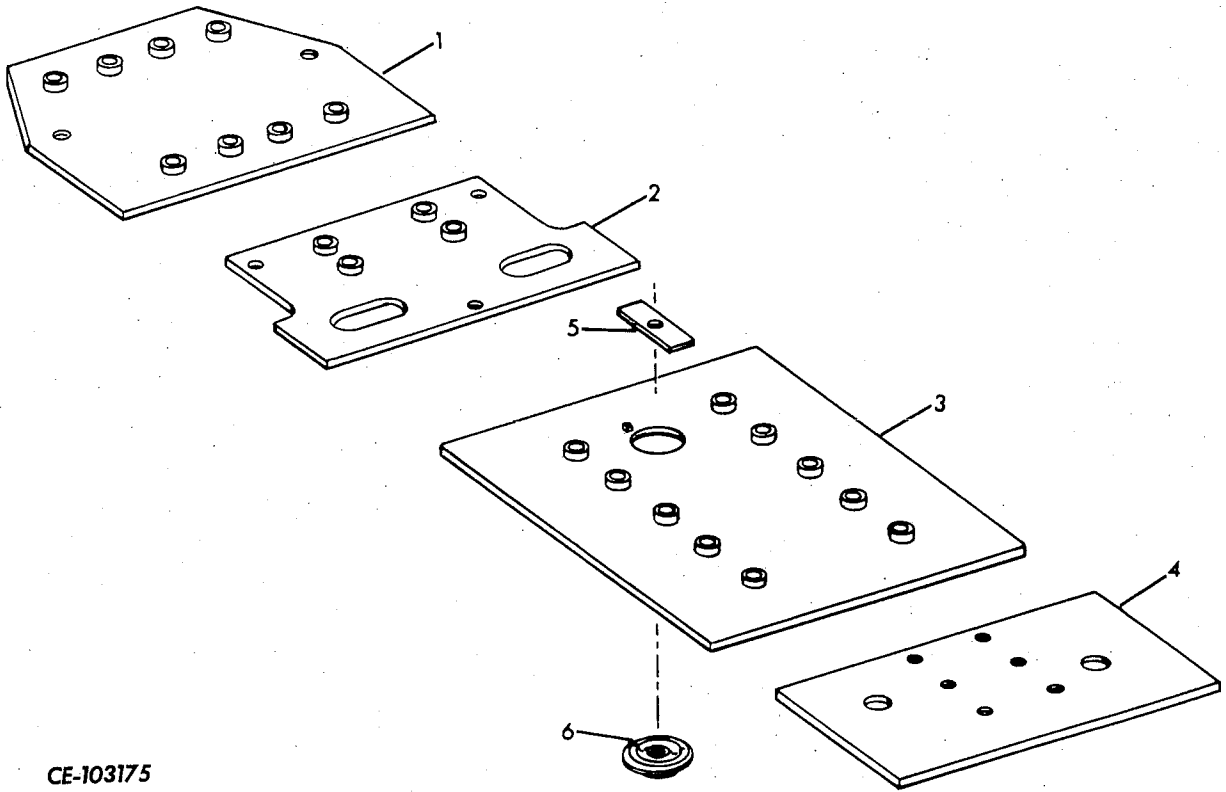
<p>1</p> <p>25 646 R1 25 726 R1 25 550 R1 25 528 R1</p> <p>2</p> <p>325 655 R2</p> <p>3</p> <p>481 540 R1 24 895 R1</p> <p>4</p> <p>338 007 R1</p> <p>25 526 R1 24 861 R1 116 121</p> <p>5</p> <p>603 281 C1</p>	<p>FRONT FRAME (See NOTE)</p> <p>BOLT, 1-1/8" dia. front frame (4)</p> <p>BOLT, 1-1/4" dia. front frame (4)</p> <p>WASHER, 1" hardened (4)</p> <p>WASHER, 1-1/4" hardened (4)</p> <p>DOWEL, front frame to rear frame (2)</p> <p>WASHER, dowel retainer (2)</p> <p>SCREW, hex-hd cap (2)</p> <p>PLATE (For FRAME equipped w/ clutch mounting hole)</p> <p>NUT (2)</p> <p>SCREW, hex-hd cap (2)</p> <p>WASHER, lock (2)</p> <p>BUSHING, equalizer bar pivot shaft support (2)</p>	<p>6</p> <p>624 558 C1 24 872 R1</p> <p>6</p> <p>604 977 C1 24 872 R1</p> <p>7</p> <p>651 110 C1 24 872 R1</p> <p>8</p> <p>334 394 R21 24 885 R1</p> <p>9</p> <p>331 901 R13 24 872 R1</p>	<p>DOOR, front, front frame bottom (Not For Low Ground Pressure)</p> <p>SCREW, hex-hd cap (6)</p> <p>DOOR, front, front frame bottom (For Low Ground Pressure) (2)</p> <p>SCREW, hex-hd cap (12)</p> <p>DOOR, oil pan</p> <p>SCREW, hex-hd cap (4)</p> <p>DOOR, center, front frame bottom (Not used with swinging drawbar)</p> <p>SCREW, hex-hd cap (4)</p> <p>DOOR, rear, front frame bottom</p> <p>SCREW, hex-hd cap (8)</p>
--	--	--	---

NOTE — Service frame will be available on special order only on clearance with engineering department.

FRAME

REF. NO.	PART NUMBER	DESCRIPTION	REF. NO.	PART NUMBER	DESCRIPTION
----------	-------------	-------------	----------	-------------	-------------

FRONT FRAME BOTTOM GUARD DOORS (Severe Service)



CE-103175

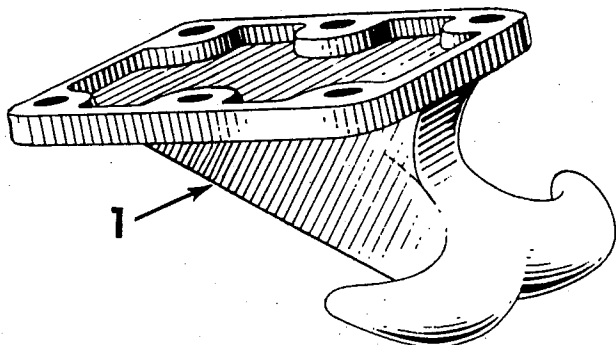
	629 461 C91	ATTACHMENT, front frame bottom guard door (Severe service) (Not for models equipped with swinging drawbar or front pull hook) (See NOTE 3) (Consists of the following parts -		4	650 630 C1	GUARD, front	
					25 764 R1	SCREW, hex-hd cap (Not used w/front pull hook) (6)	
					25 550 R1	WASHER, hardened (Not used w/front pull hook) (6)	
					5	650 374 C1	SUPPORT, oil pan drain cover
1	650 173 C1	GUARD, rear		6	5 977 DA	COVER, oil pan drain	
	26 322 R1	SCREW, hex-hd cap (8)			24 863 R1	SCREW, hex-hd cap	
	25 547 R1	WASHER, hardened (8)			M42 296	SPACER, drain cover	
2	650 171 C1	GUARD, center rear			25 536 R1	WASHER, hardened	
	24 890 R1	SCREW, hex-hd cap (4)					
	25 548 R1	WASHER, hardened (4)					
3	650 424 C2	GUARD, center front					
	21 371 R1	SCREW, hex-hd cap (10)					
	25 547 R1	WASHER, hardened (10)					

NOTE 3 - Field Application - Order through Regular Parts Channels.

FRAME

REF. NO.	PART NUMBER	DESCRIPTION	REF. NO.	PART NUMBER	DESCRIPTION
----------	-------------	-------------	----------	-------------	-------------

FRONT PULL HOOK



IPA-67563

A	629 481 C91	ATTACHMENT, front pull hook (For use on models equipped w/front frame bottom guard door attachment) (See NOTE 3) (Not For Low Ground Pressure)
B	334 517 R91	ATTACHMENT, front pull hook (Not for use on models equipped w/front frame bottom guard door attachment) (See NOTES 1 and 3) (For Low Ground Pressure)
1	5 980 D	HOOK, front pull
	25 740 R1	SCREW, 7/8 x 2" hex-hd cap (6 for B)
	25 760 R1	SCREW, 7/8 x 3-1/4" hex-hd cap (6 for A)

NOTE 1 - Factory Application - Order on Machine Order Form.

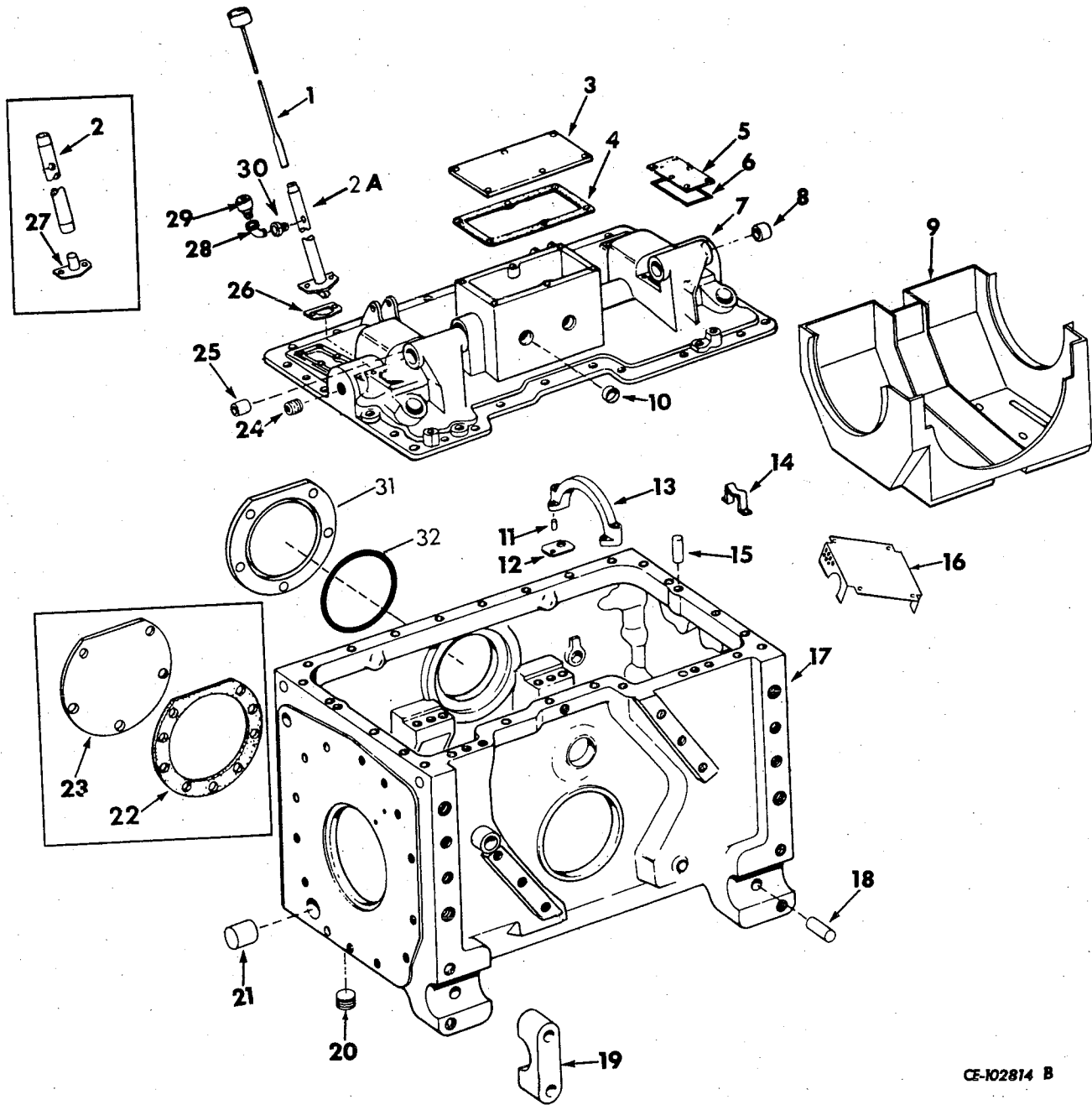
NOTE 3 - Field Application - Order through Regular Parts Channels.

FRAME

MEMORANDA

FRAME

REAR FRAME (For Manual Shift and Power Shift)



CE-102814 B

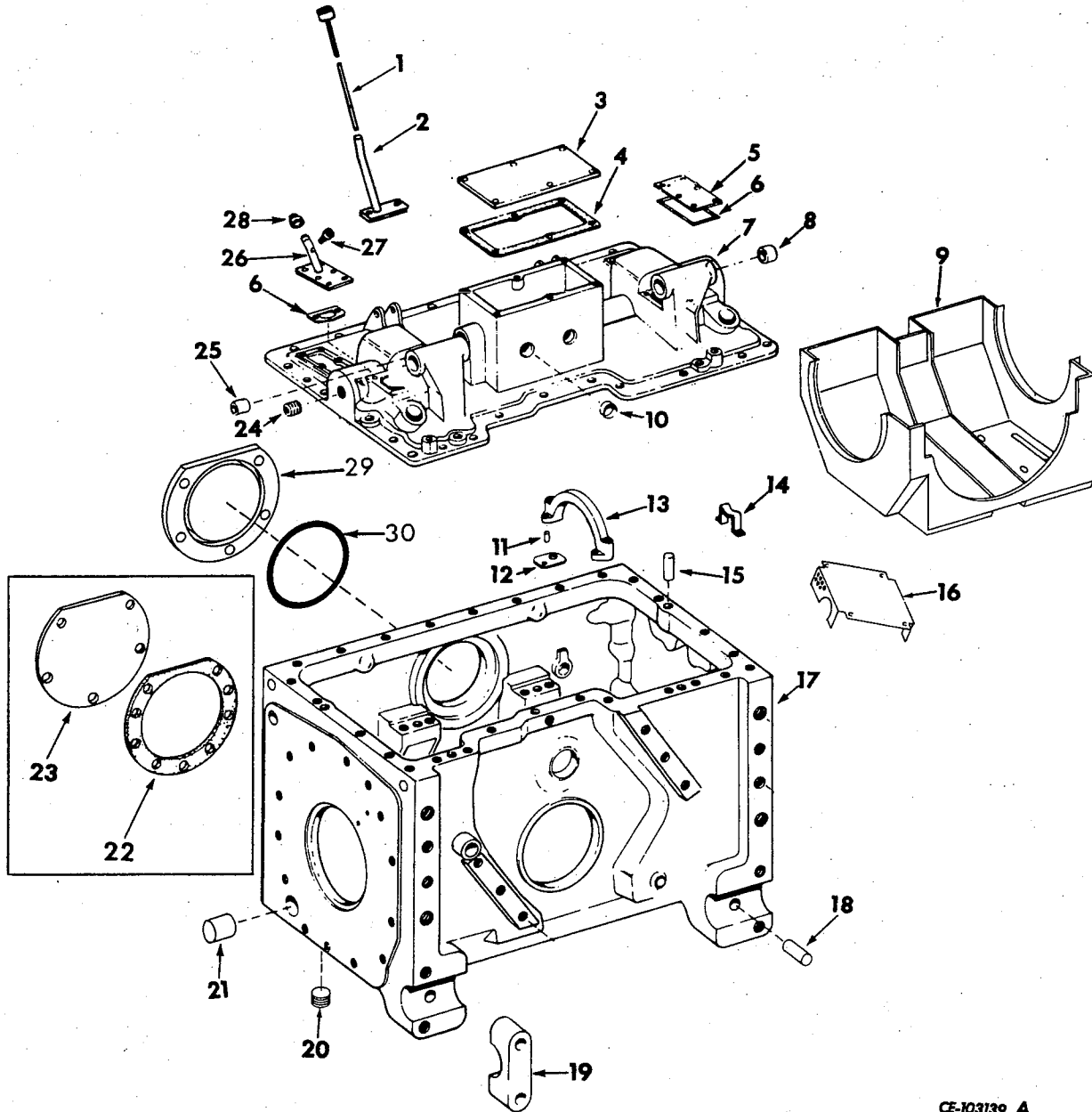
FRAME

REF. NO.	PART NUMBER	DESCRIPTION	REF. NO.	PART NUMBER	DESCRIPTION
REAR FRAME — Continued (For Manual Shift and Power Shift)			16	661 302 C1	SCREEN, rear main frame sump (Used w/FRAME ASSY., 661 313 C91) 1557 and up
1	609 954 C21	ROD, rear main frame oil level (Not used w/Hydraulic Control Unit)	17	611 218 C92	FRAME ASSY., rear (Order FRAME, 661 313 C91 TUBE, 661 322 C91, TUBE, 661 323 C91, SCREEN, 661 302 C1 and four SCREW, 321 872 R1) 1556 and below
1	609 955 C22	ROD, rear main frame oil level (Used w/Hydraulic Control Unit and also Low Ground Pressure)	17	661 313 C91	FRAME ASSY., rear 1557 and up (Composed of -
2	616 237 C1	PIPE, rear frame oil level (Not used w/Hydraulic Control Unit)		2 CAP	345 625 R11
2	616 236 C1	PIPE, rear frame oil level (Use w/Hydraulic Control Unit and also Low Ground Pressure)(Order 733 017 C1)		2 CAP	611 222 C1
2A	733 017 C1	PIPE, rear frame oil level		4 CORK	104 940
	24 873 C1	BOLT (2)		8 CORK	106 623
3	616 235 C1	COVER, planetary inspection		4 CORK	117 926
	24 840 R1	SCREW, hex-hd cap (6)		2 CORK	117 928
	115 093	WASHER, lock (6)		2 DOWEL	325 406 R1
4	325 422 R1	GASKET, planetary inspection cover		1 DOWEL	323 395 R1
5	612 578 C1	COVER, brake inspection (2)		§ 1 FRAME	
	24 840 R1	SCREW, hex-hd cap (12)		4 PIN	250 868 R1
	115 093	WASHER, lock (12)		1 PLUG	271 647 R1)
6	612 579 C1	GASKET, brake inspection cover (2)	18	323 395 R1	DOWEL, pivot shaft to rear main frame
7	612 577 C31	COVER ASSY., rear frame (Composed of -	19	611 222 C1	CAP, pivot shaft (Inner) (2)
	4 BUSHING	279 247 R1		25 741 R1	SCREW, hex-hd cap (4)
	2 BUSHING	345 974 R2	20	271 647 R1	PLUG, drain
	§ 1 COVER		21	325 406 R1	DOWEL, sprocket drive carrier (2)
	2 PLUG	318 300 R1	22	325 429 R1	GASKET, rear power take-off cover plate (Used w/PLATE, 253 174 R2)
	4 SCREW	138 869)	23	253 174 R2	PLATE, rear power take-off cover (Order PLATE, 733 039 C1 and RING, 22 420 R1)
	610 163 C1	BOLT		25 694 R1	SCREW, hex-hd cap (5)
	651 530 C1	BOLT (3)	24	21 502 R1	PLUG, brake fork adjusting hole (2)
	24 875 R1	SCREW, 5/8 x 2" hex-hd cap (15)	25	345 974 R2	BUSHING, push rod lever shaft (2)
	24 888 R1	SCREW, 3/4 x 2" hex-hd cap (7)	26	612 582 C1	GASKET, rear main frame filler pipe
	138 869	SCREW, 5/8 x 5/8" hex-soc set (4)	27	612 580 C91	PIPE, rear frame filler (Used w/PIPE 6 162 361
	25 537 R1	WASHER, flat (15)		24 873 R1	SCREW, hex-hd cap (2)
	25 538 R1	WASHER, hardened (7)	28	105 423	ELBOW, rear frame breather
8	279 247 R1	BUSHING, pivot brake pick-up lever shaft (4)	29	662 250 C1	BREATHER, rear frame
9	629 550 C1	BAFFLE, rear main frame	29	666 134 C1	BREATHER, rear frame
	26 311 R1	SCREW, hex-hd cap (4)	29	666 156 C1	BREATHER, rear frame
	103 341	WASHER (4)	30	444 000	ADAPTER, pipe
	16 135 DA	WASHER (4)		117 928	PLUG, No. 14 cork (1-1/4) (2)
10	318 300 R1	PLUG, bellcrank push rod shaft (2)		117 926	PLUG, No. 12 cork (4 or as required)
11	325 411 R1	PIN, bearing cap dowel (6)		104 940	PLUG, No. 4 cork (4 or as required)
12	345 639 R1	SHIM, thick (.010") (8 or as required)		106 623	PLUG, No. 8 cork (8 or as required)
12	345 640 R1	SHIM, thin (.003") (10 or as required)		444 654	PLUG, booster drain hole 1/4" pipe (For Manual Shift)
13	345 625 R11	CAP w/three PIN, 325 411 R1, four SHIM, 345 639 R1, and five SHIM, 345 640 R1, planet carrier bearing (2)	31	733 039 C1	PLATE, rear power take-off cover
	25 507 R1	SCREW, hex-hd cap (4)		26 957 R1	SCREW, hex-hd cap (5)
	116 121	WASHER, lock (4)	32	22 420 R1	RING, power take-off sealing (Used w/PLATE, 733 039 C1)
14	325 417 R1	BRACKET, brake fork push rod support(2			
	25 752 R1	SCREW, hex-hd cap (4)			
	115 109	WASHER, lock (4)			
15	19 968 R1	PIN, rear frame to cover dowel (4)			
16	611 207 C2	SCREEN, rear main frame sump (Used w/FRAME ASSY., 611 218 C92) 1556 and below			

§ - Not furnished separately.

FRAME

REAR FRAME (For Custom Applications)



CE-103139 A

FRAME

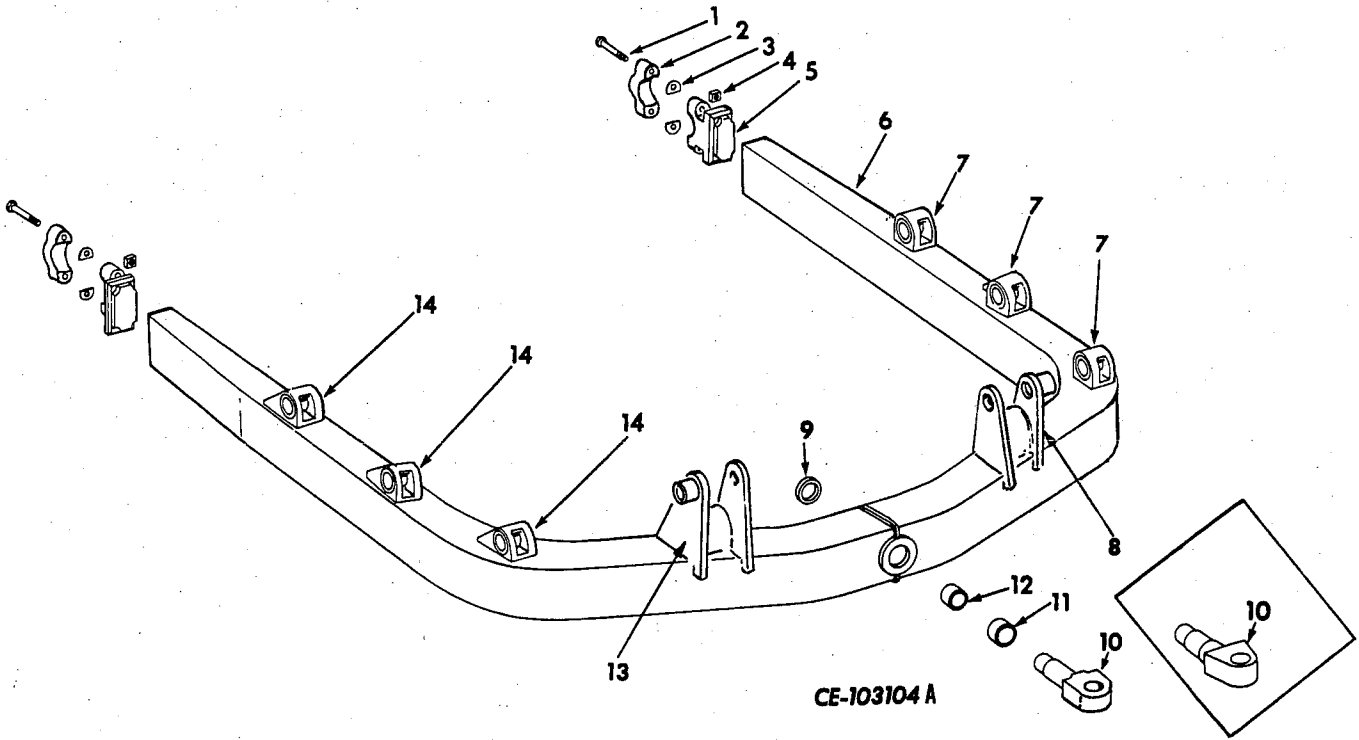
REF. NO.	PART NUMBER	DESCRIPTION	REF. NO.	PART NUMBER	DESCRIPTION
REAR FRAME — Continued (For Custom Applications)					
1	650 238 C2	ROD, rear main frame oil level	17	661 313 C91	FRAME ASSY., rear (Composed of -
2	650 235 C1 24 873 R1	COVER, oil dipstick SCREW, hex-hd cap (2)			2 CAP 345 625 R11 2 CAP 611 222 C1 4 CORK 104 940 8 CORK 106 623 4 CORK 117 926 2 CORK 117 928 2 DOWEL 325 406 R1 1 DOWEL 323 395 R1
3	616 235 C1 24 840 R1 115 093	COVER, planetary inspection SCREW, hex-hd cap (6) WASHER, lock (6)			§ 1 FRAME 4 PIN 250 868 R1 1 PLUG 271 647 R1)
4	325 422 R1	GASKET, planetary inspection cover	18	323 395 R1	DOWEL, pivot shaft to rear main frame
5	612 578 C1 24 840 R1 115 093	COVER, brake inspection SCREW, hex-hd cap (6) WASHER, lock (6)	19	611 222 C1 25 507 R1 116 121 25 741 R1	CAP, pivot shaft (Inner) (2) SCREW, hex-hd cap (4) WASHER, lock (4) SCREW, hex-hd cap (4)
6	612 579 C1	GASKET, brake inspection cover (2)	20	271 647 R1	PLUG, drain
7	612 577 C31	COVER ASSY., rear frame (Composed of -	21	325 406 R1	DOWEL, sprocket drive carrier (2)
		4 BUSHING 279 247 R1	22	325 429 R1	GASKET, rear power take-off cover plate (Used w/PLATE, 253 174 R2)
		2 BUSHING 345 974 R2	23	253 174 R2	PLATE, rear power take-off cover (Order PLATE, 733039 C1 and RING, 22 420 R1)
		§ 1 COVER		25 694 R1	SCREW, hex-hd cap (5)
		2 PLUG 318 300 R1	24	21 502 R1	PLUG, brake fork adjusting hole (2)
		4 SCREW 138 869)	25	345 974 R2	BUSHING, push rod lever shaft (2)
	610.163 C1	BOLT (2)	26	650 231 C1 24 840 R1 115 093	COVER, oil filler SCREW, hex-hd cap (6) WASHER, lock (6)
	651 530 C1	BOLT (3)	27	662 250 C1	BREATHER, rear frame
	25 336 R1	SCREW, 5/8 x 1-7/8" hex-hd cap (15)	28	650 234 C1	CAP, rear main frame oil filler
	25 514 R1	SCREW, 3/4 x 1-7/8" hex-hd cap (6)		20 998 R1	PLUG, torque converter vent tube hole
	138 869	SCREW, 5/8 x 5/8" hex-soc set (4)		104 940	PLUG, No. 4 cork (4 or as required)
8	279 247 R1	BUSHING, pivot brake pick up lever shaft (4)		106 623	PLUG, No. 8 cork (8 or as required)
9	629 550 C1 26 311 R1 103 341	BAFFLE, rear main frame SCREW, hex-hd cap (4) WASHER, 13/32 x 13/16 x 16 ga. (4)		117 926	PLUG, No. 12 cork (4 or as required)
	16 135 DA	WASHER (4)		117 928	PLUG, No. 14 cork (1-1/4") (2)
10	318 300 R1	PLUG, bellcrank push rod shaft (2)		444 654	PLUG, booster drain hole, 1/4" pipe
11	325 411 R1	PIN, bearing cap dowel (6)	29	733 039 C1 26 957 R1	PLATE, rear power take-off cover SCREW, hex-hd cap (5)
12	345 639 R1	SHIM, thick (.010") (8 or as required)	30	22 420 R1	RING, power take-off sealing (Used w/PLATE, 733 039 C1)
12	345 640 R1	SHIM, thin (.003") (10 or as required)			
13	345 625 R11	CAP w/three PIN, 325 411 R1, four SHIM, 345 639 R1, and five SHIM, 345 640 R1, planet carrier bearing (2)			
	25 507 R1	SCREW, hex-hd cap (4)			
	116 121	WASHER, lock (4)			
14	325 417 R1	BRACKET, brake fork push rod sup- port (2)			
	25 752 R1	SCREW, hex-hd cap (4)			
	115 109	WASHER, lock (4)			
15	19 968 R1	PIN, rear frame to cover dowel (4)			
16	661 302 C1	SCREEN, rear main frame sump			

§ - Not furnished separately.

FRAME

REF. NO.	PART NUMBER	DESCRIPTION	REF. NO.	PART NUMBER	DESCRIPTION
----------	-------------	-------------	----------	-------------	-------------

BULLGRADER "C" FRAME



1	26 632 R1	SCREW, hex-hd cap (Replaces, 25 996 R1) (Used w/CAP, 717 740 C1) (4)	9	319 469 R1	RING, retainer (used on machines equipped with "C" FRAME, 620 949 C91) (3.75" OD)
2	717 740 C1	CAP, trunnion bearing (Replaces 608 031 C1) (Used w/SCREW, 25 996 R1)	9	668 733 C1	RING, retainer (used on machines equipped with "C" FRAME, 620 949 C92) (5" OD)
3	290 257 R1	SHIM, trunnion bearing (16)	10	668 730 C1	PIN, crosshead swivel (used on machines equipped with "C" FRAME, 620 949 C92)
4	290 256 R2	NUT (4)	10A	620 911 C1	PIN, crosshead swivel (used on machines equipped with "C" FRAME, 620 949 C91)
5	342 211 R1	BEARING, trunnion (2)	11	620 912 C2	BUSHING, crosshead swivel pin (used on machines equipped with "C" FRAME, 620 949 C91) (3.5" OD)
6	620 949 C92	"C" FRAME w/TRUNNION BEARING CAPS, hydraulic (Composed of - 2 BEARING 342 211 R1 2 BOLT 26 632 R1 3 BRACKET 293 998 R1 3 BRACKET 293 999 R1 1 BRACKET 618 573 C1 1 BRACKET 618 574 C1 2 BUSHING 317 499 R1 or 2 BUSHING 603 937 C1 2 CAP 717 740 C1 § 1 FRAME 2 NUT 290 256 R1 1 PIN 668 730 C1 1 RING 668 733 C1 16 SHIM 290 257 R1)	11	317 499 R1	BUSHING, crosshead swivel pin
			11	603 937 C1	BUSHING, crosshead swivel pin (used on machines equipped with "C" FRAME, 620 949 C92) (4.0" OD)
			12	319 471 R1	BUSHING, crosshead swivel pin (used on machines equipped with "C" FRAME, 620 949 C91) (3.0" OD)
7	293 998 R1	BRACKET, LH strut (3)			
8	618 573 C1	BRACKET, LH hydraulic lift			

§ - Not furnished separately.

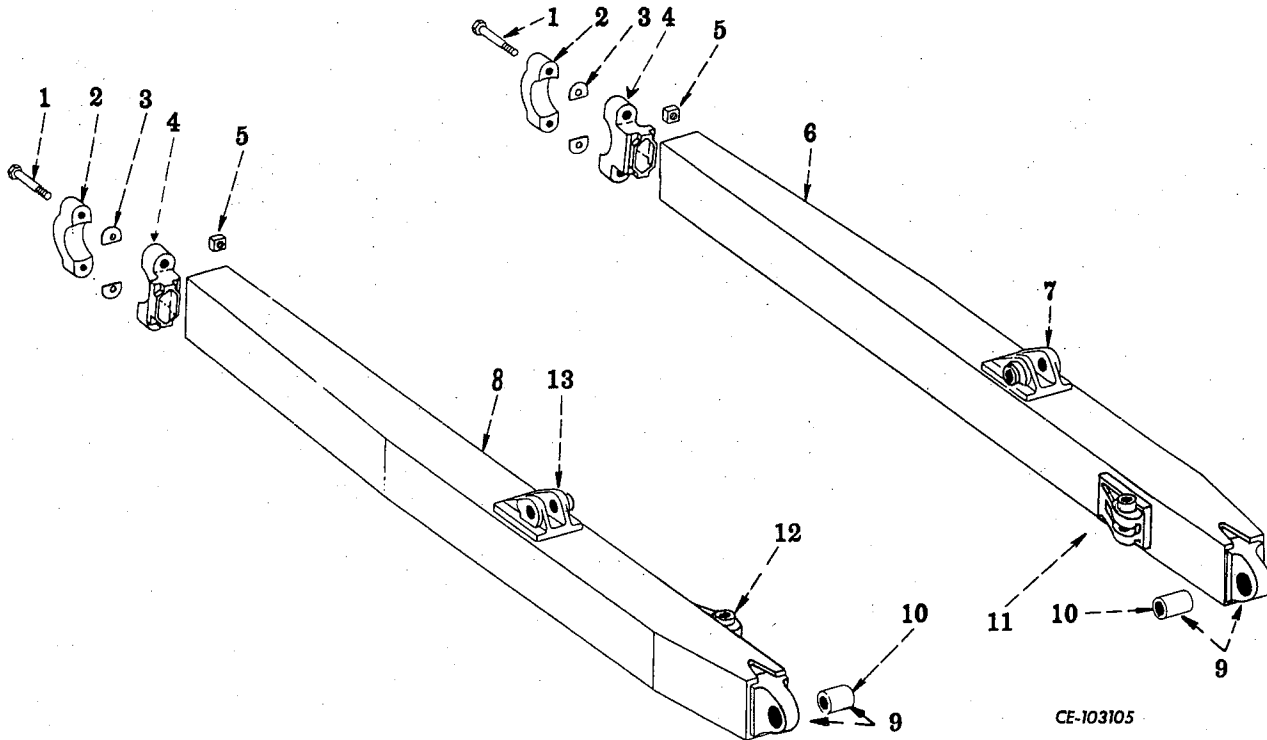
FRAME

REF. NO.	PART NUMBER	DESCRIPTION	REF. NO.	PART NUMBER	DESCRIPTION
BULLGRADER "C" FRAME – Continued					
12	317 499 R1	BUSHING, crosshead swivel pin			
	or				
12	603 937 C1	BUSHING, crosshead swivel pin used on machines equipped with "C" FRAME, 620 949 C92) (4.0" O D)			
13	618 574 C1	BRACKET, RH hydraulic lift			
14	293 999 R1	BRACKET, RH strut (3)			
	632 277 C91	PACKAGE, "C" frame field improve- ment (for machines equipped with "C" FRAME, 620 949 C91) (Composed of -			
		2 BUSHING		317 499 R1	
		or			
		2 BUSHING		603 937 C1	
		1 DRAWING		CZG-1630	
		1 DRAWING		CZG-1631	
		1 PIN		668 730 C1	
		1 RING		668 733 C1)	

FRAME

REF. NO.	PART NUMBER	DESCRIPTION	REF. NO.	PART NUMBER	DESCRIPTION
----------	-------------	-------------	----------	-------------	-------------

BULLDOZER PUSH ARMS
 (Not for Semi "U" Blades)
 (Not For Low Ground Pressure)

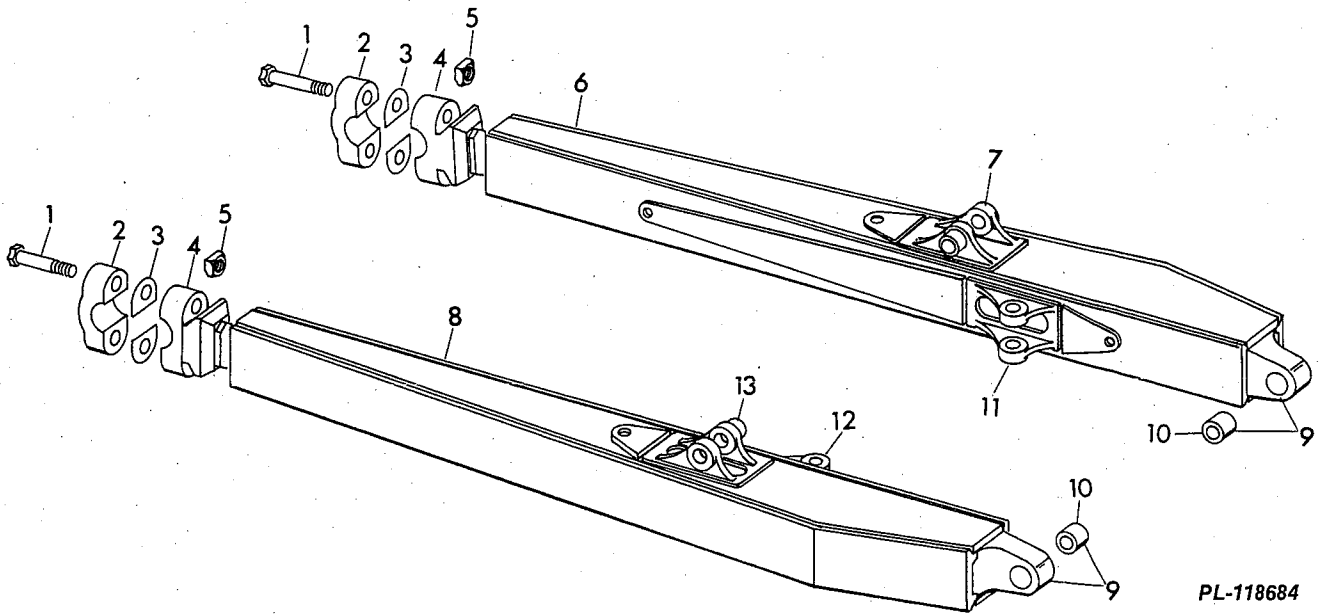


1	26 632 R1	SCREW, hex-hd cap (Replaces 25 996 R1) (Used w/CAP, 717 740 C1) (4)	8	333 290 R91	ARM w/CAP ASSEMBLY, RH push (Composed of -
					1 BEARING 293 046 R1
					2 BOLT 26 632 R1
2	717 740 C1	CAP, trunnion bearing (Replaces, 608 031 C1)(Used w/SCREW, 25 996 R1)			1 BRACKET 333 294 R91
					1 BRACKET 333 295 R91
					1 CAP 717 740 C1
					2 NUT 290 256 R2
3	290 257 R1	SHIM, trunnion bearing cap (16)			1 PIVOT 320 875 R11
4	293 046 R1	BEARING, trunnion (2)			8 SHIM 290 257 R1)
5	290 256 R2	NUT, trunnion bearing cap (4)	9	320 875 R11	PIVOT w/BUSHING, 290 267 R2, push arm (2)
6	333 289 R91	ARM w/CAP ASSEMBLY, LH push (Composed of -	10	290 267 R2	BUSHING, push arm pivot (2)
		1 BEARING 293 046 R1	11	333 294 R91	BRACKET, strut
		2 BOLT 26 632 R1	12	333 295 R91	BRACKET, strut
		1 BRACKET 333 294 R91	13	333 294 R91	BRACKET, strut
		1 BRACKET 333 295 R91			
		1 CAP 717 740 C1			
		2 NUT 290 256 R1			
		1 PIVOT 320 875 R11			
		8 SHIM 290 257 R1)			
7	333 295 R91	BRACKET, strut			

FRAME

REF. NO.	PART NUMBER	DESCRIPTION	REF. NO.	PART NUMBER	DESCRIPTION
----------	-------------	-------------	----------	-------------	-------------

BULLDOZER PUSH ARMS
 (Not For Semi "U" Blades)
 (For Low Ground Pressure)

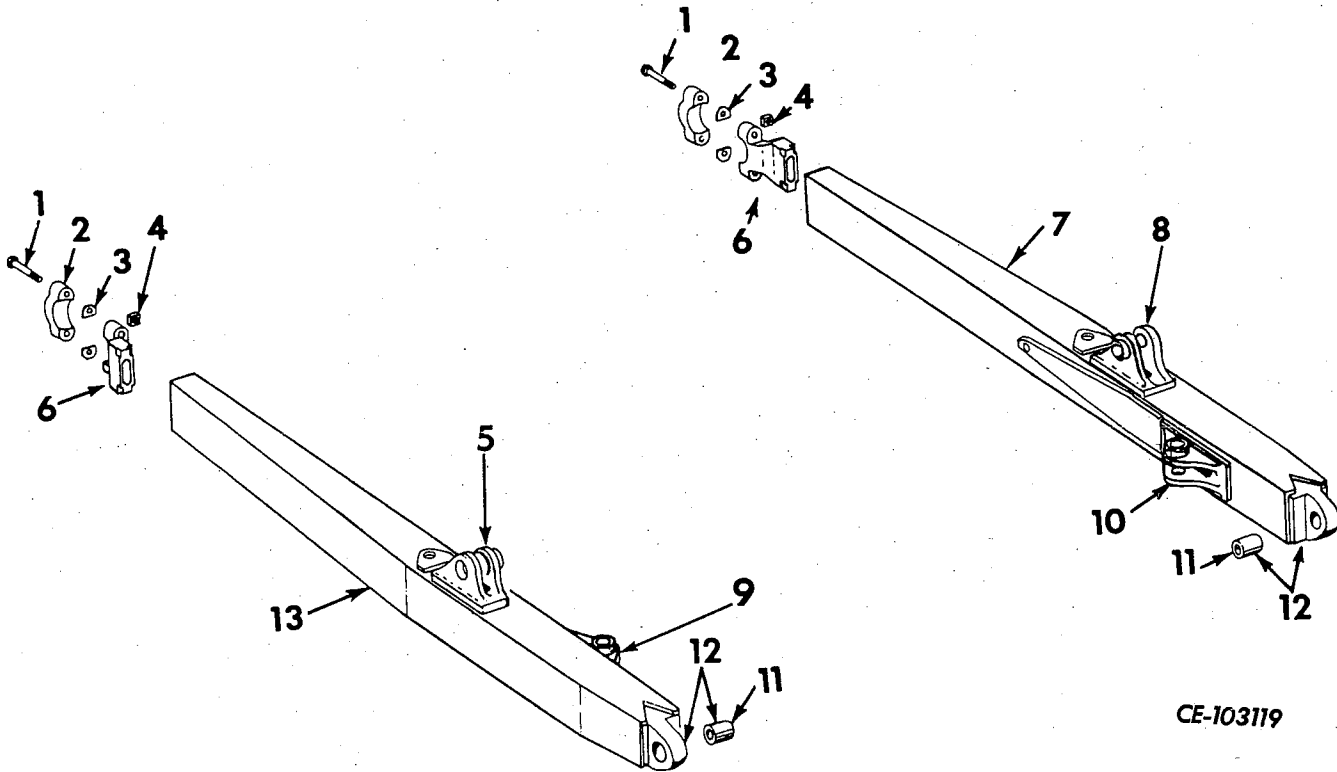


1	26 632 R1	SCREW, hex-hd cap (4)	8	711 555 C91	ARM w/CAP ASSY., RH push (Composed of -
					1 BEARING 608 094 C1
					2 BOLT 26 632 R1
					1 BRACKET 608 024 C91
					1 BRACKET 608 028 C91
					1 CAP 717 740 C1
					2 NUT 290 256 R2
					1 PIVOT 320 726 R11
					8 SHIM 290 257 R1)
6	711 554 C91	ARM w/CAP ASSY., LH push (Composed of -	9	320 726 R11	PIVOT w/BUSHING, 320 726 R1 push arm (2)
		1 BEARING 608 094 C1			
		2 BOLT 26 632 R1			
		1 BRACKET 608 023 C91			
		1 BRACKET 608 027 C91			
		1 CAP 717 740 C1			
		2 NUT 290 256 R2			
		1 PIVOT 320 726 R11			
		8 SHIM 290 257 R1)			
7	608 023 C91	BRACKET, upper strut LH	10	320 726 R1	BUSHING, push arm pivot (2)
			11	608 027 C91	BRACKET, diagonal strut LH
			12	608 028 C91	BRACKET, diagonal strut RH
			13	608 024	BRACKET, upper strut RH

FRAME

REF. NO.	PART NUMBER	DESCRIPTION	REF. NO.	PART NUMBER	DESCRIPTION
----------	-------------	-------------	----------	-------------	-------------

BULLDOZER PUSHARMS
 (For Semi "U" Blades)
 (Not For Low Ground Pressure)



CE-103119

1	26 632 R1	SCREW, hex-hd cap trunnion bearing cap (Replaces 25 996 R1)(Used w/CAP, 717 740 C1) (4)	10	608 027 C91	BRACKET, diagonal strut
2	717 740 C1	CAP, trunnion bearing (Replaces, 608 031 C1)(Used w/SCREW, 25 996 R1) (2)	11	290 267 R2	BUSHING, pusharm pivot (2)
3	290 257 R1	SHIM, trunnion bearing cap (16)	12	320 726 R11	PIVOT w/BUSHING, 290 267 R2, pusharm (2)
4	290 256 R2	NUT, trunnion bearing cap bolt (4)	13	608 098 C91	ARM ASSY., RH push (Composed of -
5	608 024 C91	BRACKET, upper strut		§ 1	ARM
6	608 094 C1	BEARING, trunnion (2)		1	BEARING 608 094 C1
7	608 097 C91	ARM ASSY., LH push (Composed of -		2	BOLT 26 632 R1
		§ 1		1	BRACKET 608 023 C91
		1		1	BRACKET 608 027 C91
		1		1	CAP 717 740 R1
		2		2	NUT 290 256 R2
		1		1	PIVOT 320 726 R11
		8		8	SHIM 290 257 R1)
8	608 023 C91	BRACKET, upper strut			
9	608 028 C91	BRACKET, diagonal strut			

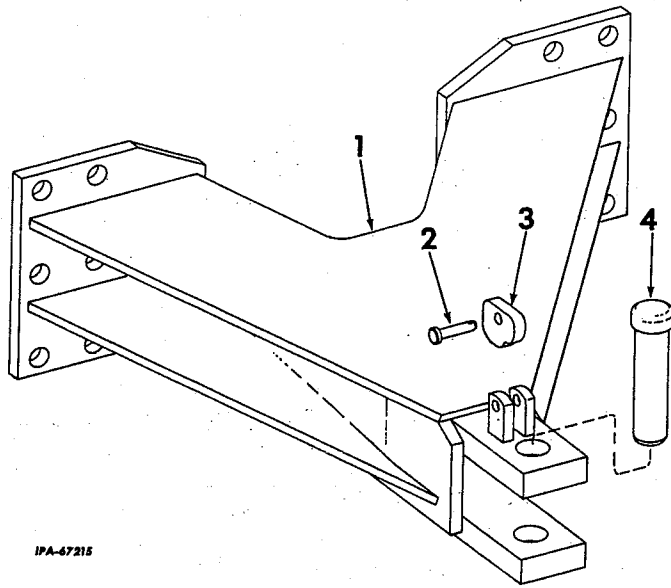
§ - Not furnished separately.

FRAME

REF. NO.	PART NUMBER	DESCRIPTION
----------	-------------	-------------

REF. NO.	PART NUMBER	DESCRIPTION
----------	-------------	-------------

RIGID DRAWBAR

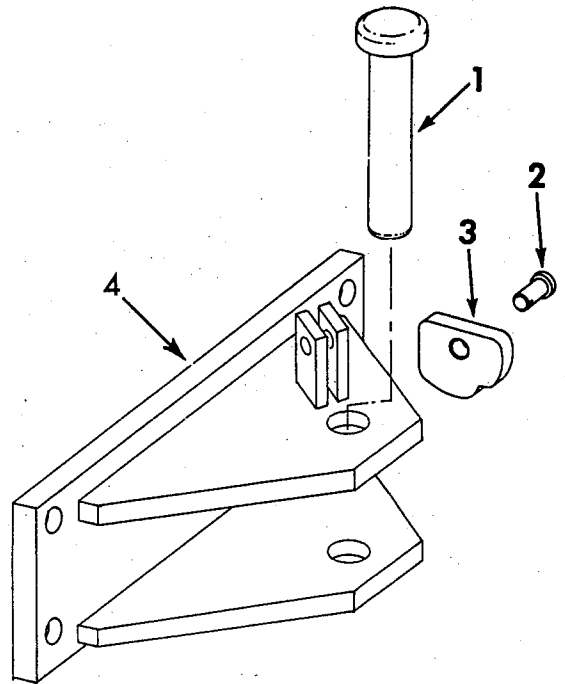


IPA-67215

629 427 C91 ATTACHMENT, rigid drawbar
(See NOTE 3)
(Consists of -

- | | | | |
|---|-------------|----------------------|-----|
| 1 | 327 800 R92 | DRAWBAR | |
| | 25 646 R1 | SCREW, hex-hd cap | (8) |
| | 620 142 C1 | WASHER, hardened | (8) |
| 2 | 33 558 V | PIN, clevis cam lock | |
| | 103 384 | PIN, cotter | |
| 3 | 278 112 R1 | CAM, clevis pin lock | |
| 4 | 325 096 R1 | PIN, drawbar | |

RECOVERY HITCH



CE-109050

632 189 C91 ATTACHMENT, recovery hitch
(See Note 3)
(Consists of -

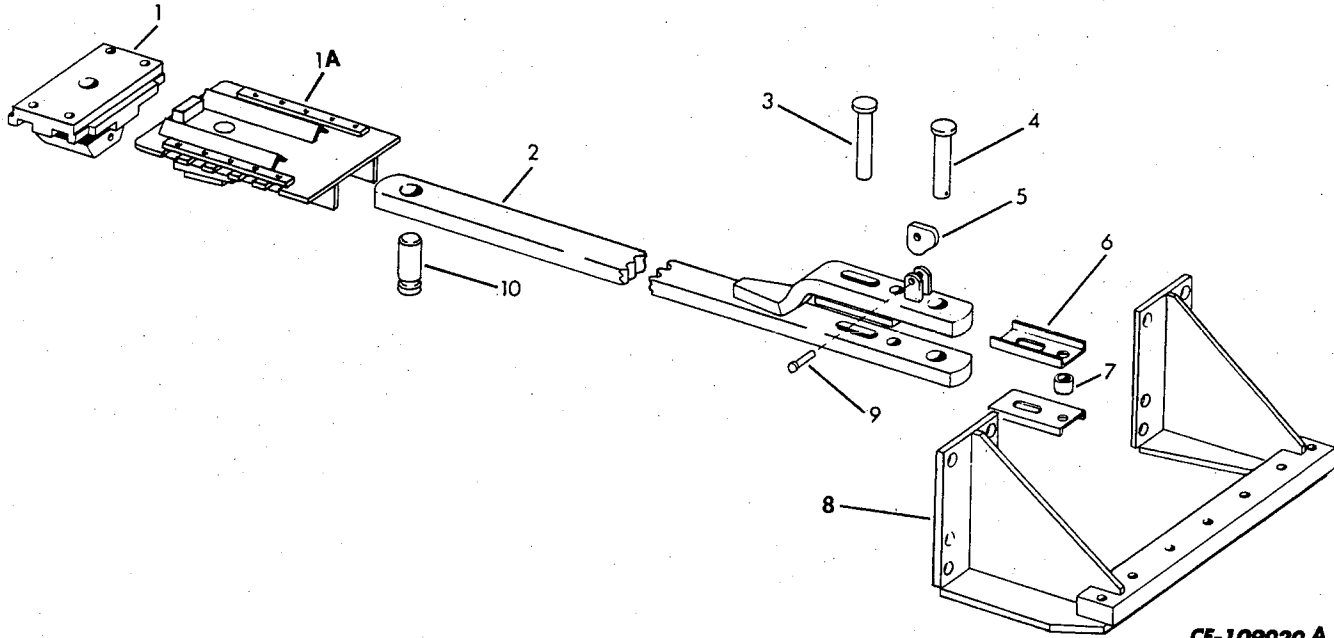
- | | | | |
|---|------------|----------------------|-----|
| 1 | 274 325 R1 | PIN, drawbar | |
| 2 | 33 558 V | PIN, clevis cam lock | |
| | 103 384 | PIN, cotter | |
| 3 | 278 112 R1 | CAM, clevis pin lock | |
| 4 | 663 172 C1 | DRAWBAR | |
| | 26 053 R1 | SCREW, hex-hd cap | (4) |
| | 25 549 R1 | WASHER, flat | (4) |

NOTE 3 - Field Application - Order through Regular Parts Channels.

FRAME

REF. NO.	PART NUMBER	DESCRIPTION	REF. NO.	PART NUMBER	DESCRIPTION
----------	-------------	-------------	----------	-------------	-------------

SWINGING DRAWBAR



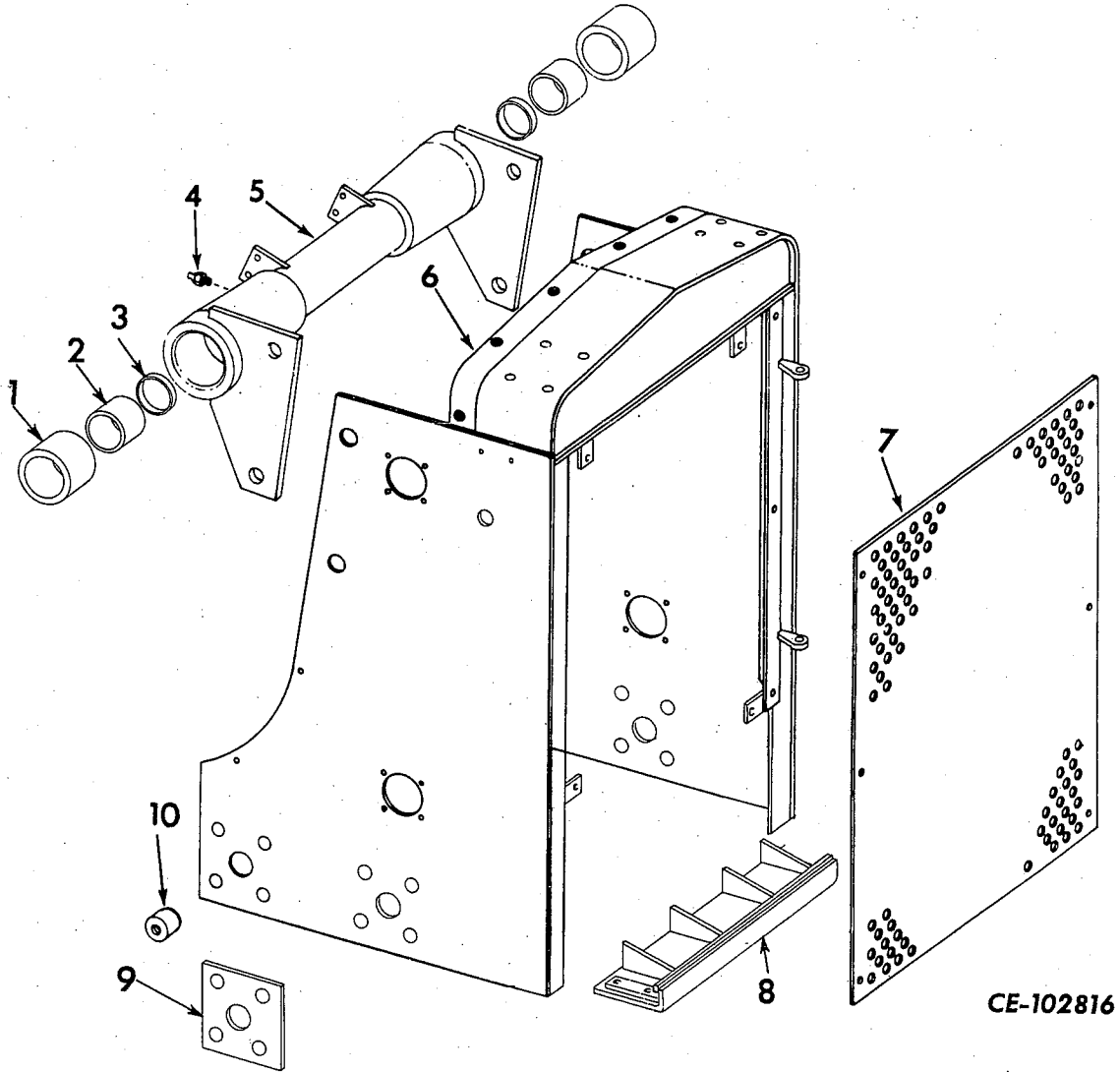
CE-109020 A

1	334 232 R2 24 888 R1 277 606 R1	BRACKET, drawbar pivot (Not For Low Ground Pressure) SCREW, hex-hd cap (4) WASHER, hardened (4)	7	304 754 R1 26 015 R1 25 677 R1	SPACER, wear plate SCREW, hex-hd cap NUT
1A	717 330 C1 24 872 R1	DOOR, w/DRAWBAR, pivot center (For Low Ground Pressure) BOLT (10)	8	334 234 R92 25 845 R1	BRACKET, drawbar guide SCREW, hex-hd cap (10)
2	334 233 R13	DRAWBAR	9	33 558 V 103 384	PIN, cam lock PIN, cotter
3	325 096 R1	PIN, drawbar pivot	10	334 235 R1 27 507 R1 116 121	PIN, drawbar pivot (Not For Low Ground Pressure) SCREW, hex-hd cap WASHER, lock
4	304 755 R1 103 423	PIN, drawbar stop PIN, cotter	10	651 431 C1	PIN, drawbar pivot (For Low Ground Pressure)
5	278 112 R1	CAM, clevis pin lock			
6	53 977 D	PLATE, drawbar clevis wear (2)			

FRAME

REF. NO.	PART NUMBER	DESCRIPTION	REF. NO.	PART NUMBER	DESCRIPTION
----------	-------------	-------------	----------	-------------	-------------

RADIATOR GUARD (Not For Low Ground Pressure)



1	289 255 R2	BUSHING, outer (2)	6	651 401 C1	GUARD, hydraulic radiator (For manual shift and power shift equipped with bulldozer or bullgrader)
2	345 971 R2	BUSHING, inner (2)			(Composed of -
3	336 238 R1	PLUG, cup (2)			2 BUSHING 289 255 R1
4	126 152	FITTING, lubrication (2)			2 BUSHING 345 971 R1
5	620 476 C91	CROSS TUBE with two BUSHING, 289 255 R2, two BUSHING, 345 971 R2, two PLUG, 336 238 R1			1 CROSSTUBE 620 476 C91
	24 841 R1	SCREW, hex-hd cap (Hydraulic cylinder hanger) (2)			§ 1 GUARD
		NUT, stover lock (Hydraulic cylinder hanger) (2)	6	651 155 C1	2 PLUG 336 238 R1
					* 2 CLAMP 326 239 R1)
					GUARD, radiator (For manual shift and power shift not equipped with bulldozer or bullgrader, also for custom application)

§ - Not furnished separately.

* - Optional w/705 573 C1.

FRAME

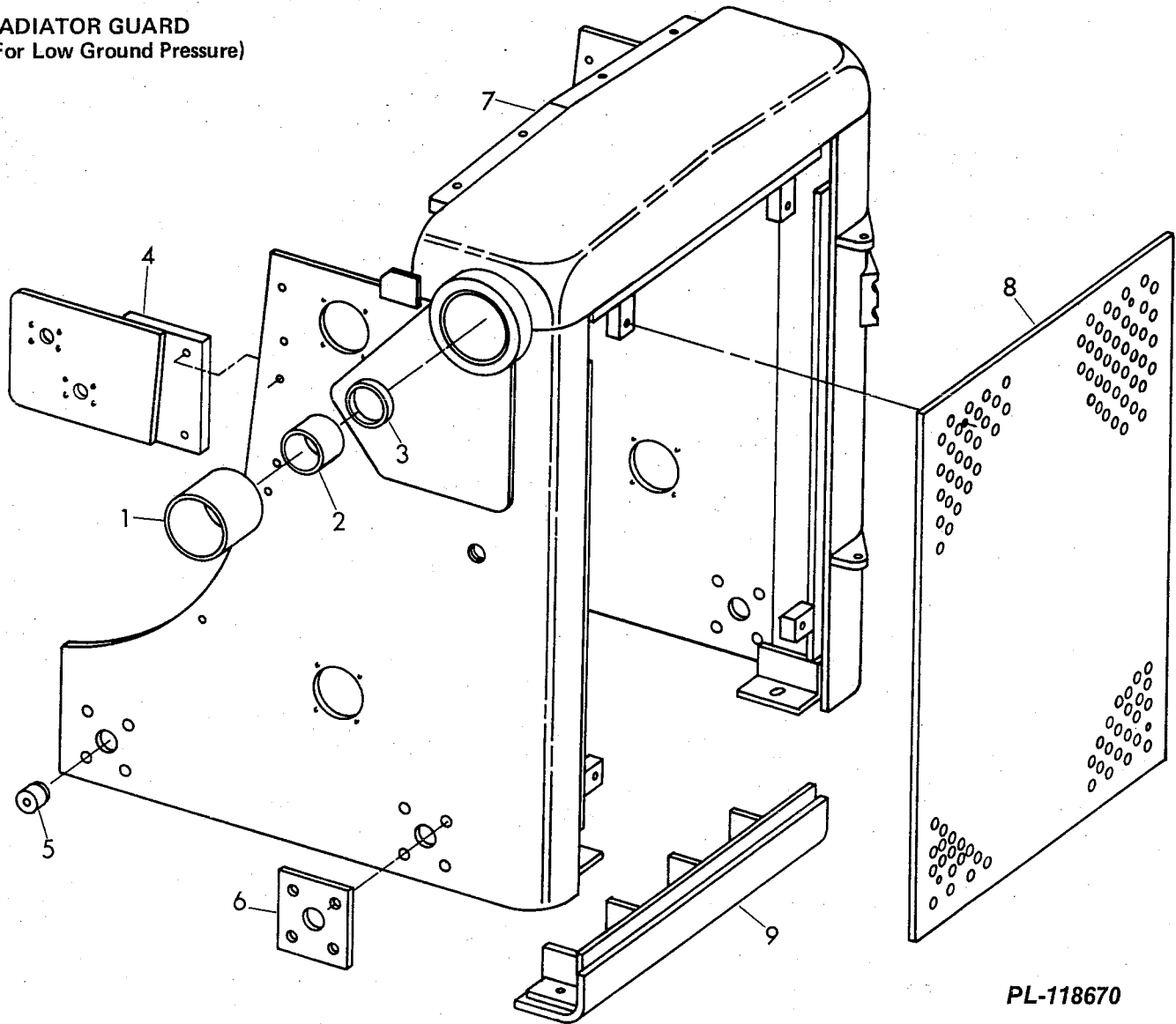
REF. NO.	PART NUMBER	DESCRIPTION	REF. NO.	PART NUMBER	DESCRIPTION
RADIATOR GUARD – Continued					
(Not For Low Ground Pressure)					
7	651 171 C1	DOOR, radiator guard			
	9 413 983	NUT, lock (2)			
	24 889 R1	SCREW, 3/4 x 2-1/4" hex-hd cap (2)			
	27 432 R1	SCREW, 3/4 x 1-3/4" hex-hd cap (4)			
	62 177 V	WASHER, flat (4)			
8	651 161 C1	ANGLE, radiator guard lower cross			
	25 528 R1	NUT (4)			
	24 875 R1	SCREW, hex-hd cap (4)			
	524 443 R1	WASHER, flat (4)			
9	650 887 C1	PLATE, dowel retainer and screw washer (4)			
	24 872 R1	SCREW, 5/8 x 1-1/4" hex-hd cap (4)			
	25 764 R1	SCREW, 7/8 x 2-1/4" hex-hd cap (16)			
10	334 407 R1	DOWEL, mounting (4)			
	104 937	CORK, No. 1 (Front lamp bracket mounting hole) (8)			
	104 942	CORK, No. 6 (Grommet hole in radiator guard) (2)			
	628 492 C91	ATTACHMENT, hydraulic radiator guard (For manual shift and power shift) (See NOTE 3)			
		(Consists of -			
		2 BUSHING	345 971 R1		
		2 BUSHING	289 255 R1		
	§ 1	CROSS TUBE	620 476 C91		
		2 FITTING	126 152		
		2 NUT	9 413 953		
		2 PIN	617 584 C1		
		2 PLUG	336 283 R1		
		2 SCREW	24 841 R1		
		2 SLEEVE	243 301 R1)		

NOTE 3 - Field Application - Order through
Regular Parts Channels.

FRAME

REF. NO.	PART NUMBER	DESCRIPTION	REF. NO.	PART NUMBER	DESCRIPTION
----------	-------------	-------------	----------	-------------	-------------

RADIATOR GUARD (For Low Ground Pressure)



PL-118670

1	289 255 R2	BUSHING, outer (2)	7	713 464 C1	GUARD w/CROSSTUBE, hydraulic radiator
2	345 971 R2	BUSHING, inner (2)	8	651 171 C1	DOOR, radiator guard
3	336 238 R1	PLUG, cup (2)	9	413 983	NUT, lock (2)
4	732 053 C1	PLATE, RH bulk head		24 890 R1	SCREW, 2-1/2" long (2)
	24 874 R1	SCREW, hex-hd cap (2)		24 887 R1	SCREW, 1-3/4" long (4)
	25 547 R1	WASHER, flat (2)		25 557 R1	WASHER, flat (4)
4	732 052 C1	PLATE, LH bulk head	9	713 467 C1	ANGLE, radiator guard lower cross
	24 874 R1	SCREW, hex-hd cap (2)		25 528 R1	NUT (2)
	25 547 R1	WASHER, flat (2)		24 874 R1	SCREW, hex-hd cap (2)
				25 547 R1	WASHER, flat (2)
5	334 407 R1	DOWEL, mounting (4)		104 937	CORK, No. 1 (front lamp bracket mounting hole) (4)
6	650 887 C1	PLATE, dowel retainer and screw washer (4)		104 942	CORK, No. 6 (lamp cable grommet hole)
	24 872 R1	SCREW, 1-1/4" long (4)			
	25 764 R1	SCREW, 2-1/4" long (16)			



**REFER TO ALPHABETICAL INDEX
FOR COMPLETE LISTING OF PARTS**

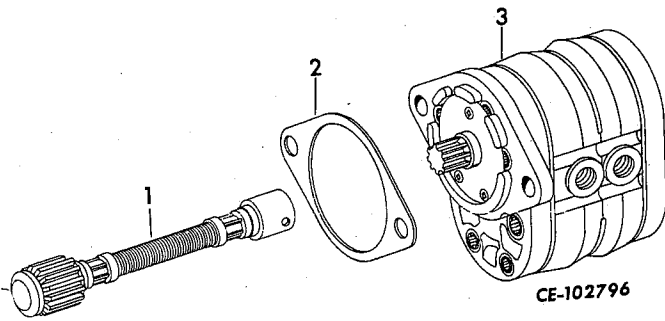
HYDRAULICS

10

HYDRAULICS

REF. NO.	PART NUMBER	DESCRIPTION	REF. NO.	PART NUMBER	DESCRIPTION
----------	-------------	-------------	----------	-------------	-------------

PRESSURE PUMP AND DRIVE SHAFT
(For Manual Shift and Custom Application)

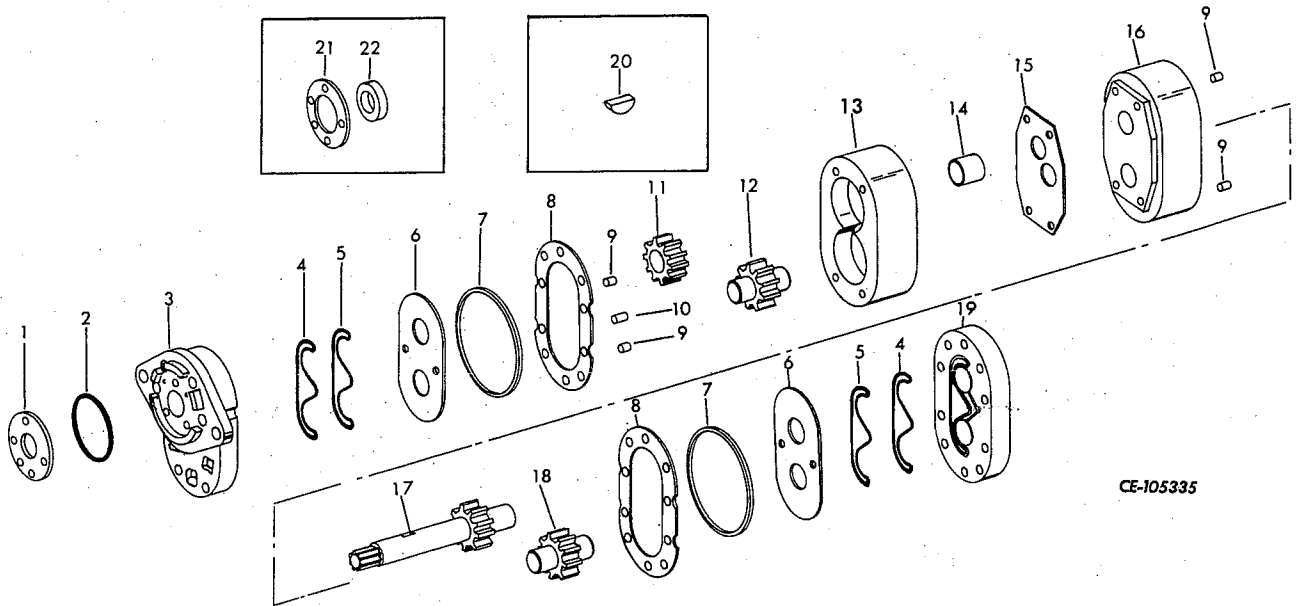


1	654 824 C1	SHAFT, hydraulic pump drive
2	345 606 R1	GASKET, hydraulic pump
3		PUMP, hydraulic pressure (Refer to "HYDRAULIC PUMP")
	101 896 R1	SCREW, hex-hd cap (2)
	115 093	WASHER, lock (2)

HYDRAULICS

REF. NO.	PART NUMBER	DESCRIPTION	REF. NO.	PART NUMBER	DESCRIPTION
----------	-------------	-------------	----------	-------------	-------------

**HYDRAULIC PUMP (Webster)
(For Manual Shift and Custom Application)**



CE-105335

	702 632 C91	PUMP ASSEMBLY, hydraulic pressure (Order Pump Assy, 631 304 C91)		8	631 299 C1	PLATE, retainer (2)	
					9	625 465 C1	PIN, dowel (4)
					10	631 296 C1	PIN, drive (Use with SHAFT, 631 291 C1)
1		RETAINER ASSY., seal (%) SCREW, pan-hd (%) (3)		11	625 455 C1	GEAR, drive (Order SHAFT, 631 291 C1, GEAR, 631 295 C1, and PIN, 631 296 C1)	
2		RING, seal (%)		11	631 295 C1	GEAR, drive	
3	625 452 C91	BODY, with two BEARING SLEEVE, 625 442 C1 (Order BODY, 631 286 C1, KIT, 631 290 C91 and PLATE, 631 299 C1)		12	625 456 C1	SHAFT with GEAR, idler	
	886 037 C1	SCREW, pan-hd (3)		13	625 457 C91	COVER, with bearing sleeve	
	179 843	SCREW, 1-1/2" long hex-hd cap (8)		14	625 463 C1	SLEEVE, idler	
	179 820	SCREW, 1-1/4" long hex-hd cap (4)		15		GASKET, cover (%)	
	186 270	SCREW, 3-1/2" long hex-hd cap (4)		16	625 462 C91	COVER, with bearing sleeve	
	179 835	WASHER, 3/8" (8) WASHER, 5/16" (8)		17	625 460 C1	SHAFT and GEAR ASSY., drive (Order SHAFT, 631 291 C1, GEAR, 631 295 C1, and PIN, 631 296 C1)	
3	631 286 C1	BODY ASSY., with sleeve		17	631 291 C1	SHAFT and GEAR ASSY., drive	
	138 244	SCREW, 3/8" dia. hex-soc-hd (8)		18	625 461 C1	SHAFT with gear idler	
	21 040 R1	SCREW, 1-1/4" long hex-soc-hd (4)		19	625 459 C91	COVER, with two SLEEVE, 625 442 C1 (Order COVER, 631 298 C1, KIT, 631 290 C91 and PLATE, 631 299 C1)	
	625 464 C1	SCREW, 3-1/2" long hex-soc-hd (4)					
4		SEAL, preload (%) (2)					
5		SEAL, load (%) (2)					
6		PLATE, wear (%) (2)					
7		RING, sealing (%) (2)					
8	625 453 C1	PLATE, with seal (Order PLATE, 631 299 C1 and KIT, 631 290 C91) (2)					

(%) - Order KIT, 631 290 C91.

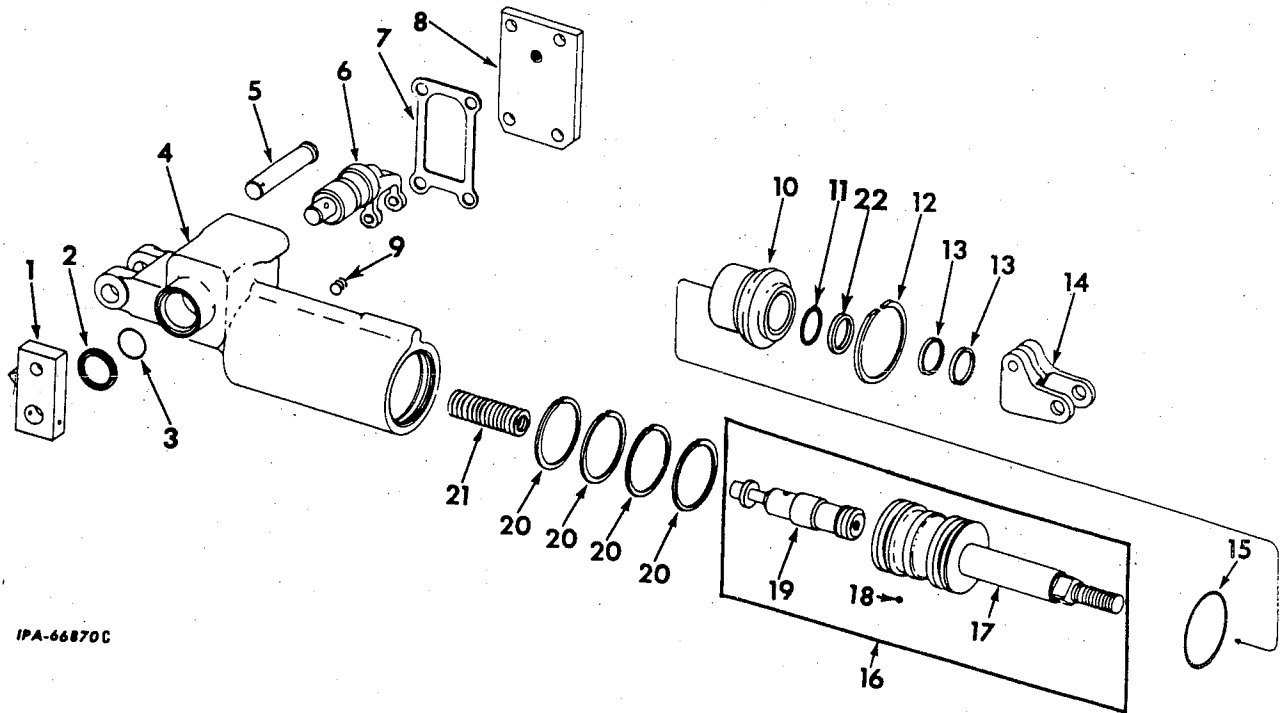
HYDRAULICS

REF. NO.	PART NUMBER	DESCRIPTION	REF. NO.	PART NUMBER	DESCRIPTION
HYDRAULIC PUMP (Webster) — Continued (For Manual Shift and Custom Application)					
19	631 298 C1	COVER, with sleeve			
20	103 646	KEY, (Woodruff) (Use with SHAFT, 625 460 C1)			
21	625 451 C1	RETAINER, seal (Order KIT, 631 290 C1)			
22	177 431 H1	SEAL, oil (Order KIT, 631 290 C1)			
	631 290 C91	KIT, repair (Consists of Reference Numbers 1, 2, 4, 5, 6, 7 and 15)			
	625 442 C1	BEARING, sleeve (Used with SHAFT, 625 460 C1) (Not used with Pump Assy, 631 304 C91) (8)			

HYDRAULICS

REF. NO.	PART NUMBER	DESCRIPTION	REF. NO.	PART NUMBER	DESCRIPTION
----------	-------------	-------------	----------	-------------	-------------

STEERING BOOSTER



IPA-66870C

	334 810 R93	BOOSTER ASSY., LH hydraulic steering	8	334 822 R11 24 839 R1 115 093	COVER, booster housing SCREW, hex-hd cap (4) WASHER, lock (4)
	334 811 R93	BOOSTER ASSY., RH hydraulic steering (Consists of -	9	445 684	PLUG, sq-hd pipe (2)
1	331 973 R91 17 084 R1	LEVER, valve operating fork PIN, roll	10	334 817 R2	SUPPORT, piston rod
2		SEAL and WIPER, valve operating fork (Order PACKAGE, 636 235 C91)	11	350 818 R1	"O" RING, piston rod (1 x 1-1/4 x 1/8") (Also part of PACKAGE, 636 235 C91)
3	369 908 R1	"O" RING, valve operating fork (13/16 x 1 x 3/32") (Also part of PACKAGE, 636 235 C91)	12	562 025 R1	RING, piston rod support snap
4	334 812 R3	HOUSING, LH booster	13		SEAL and WIPER, piston rod (Order PACKAGE, 636 235 C91) (2)
4	334 813 R3	HOUSING, RH booster	14	331 974 R1 70 427 R1 115 314	CLEVIS, hydraulic booster piston SCREW, hex-hd cap WASHER, lock
5	53 783 H 103 385	PIN, booster pivot rear (*) PIN, cotter	15	379 961 R1	"O" RING, piston rod support (2-1/16 x 2-1/4 x 3/32") (Also part of PACKAGE, 636 235 C91)
6	334 820 R2	FORK, LH valve operating	16	620 322 C91	PACKAGE, booster piston and valve field service
6	334 821 R2	FORK, RH valve operating			
7	334 818 R1	GASKET, housing cover			

(*) - Not furnished as part of Booster Assy.

HYDRAULICS

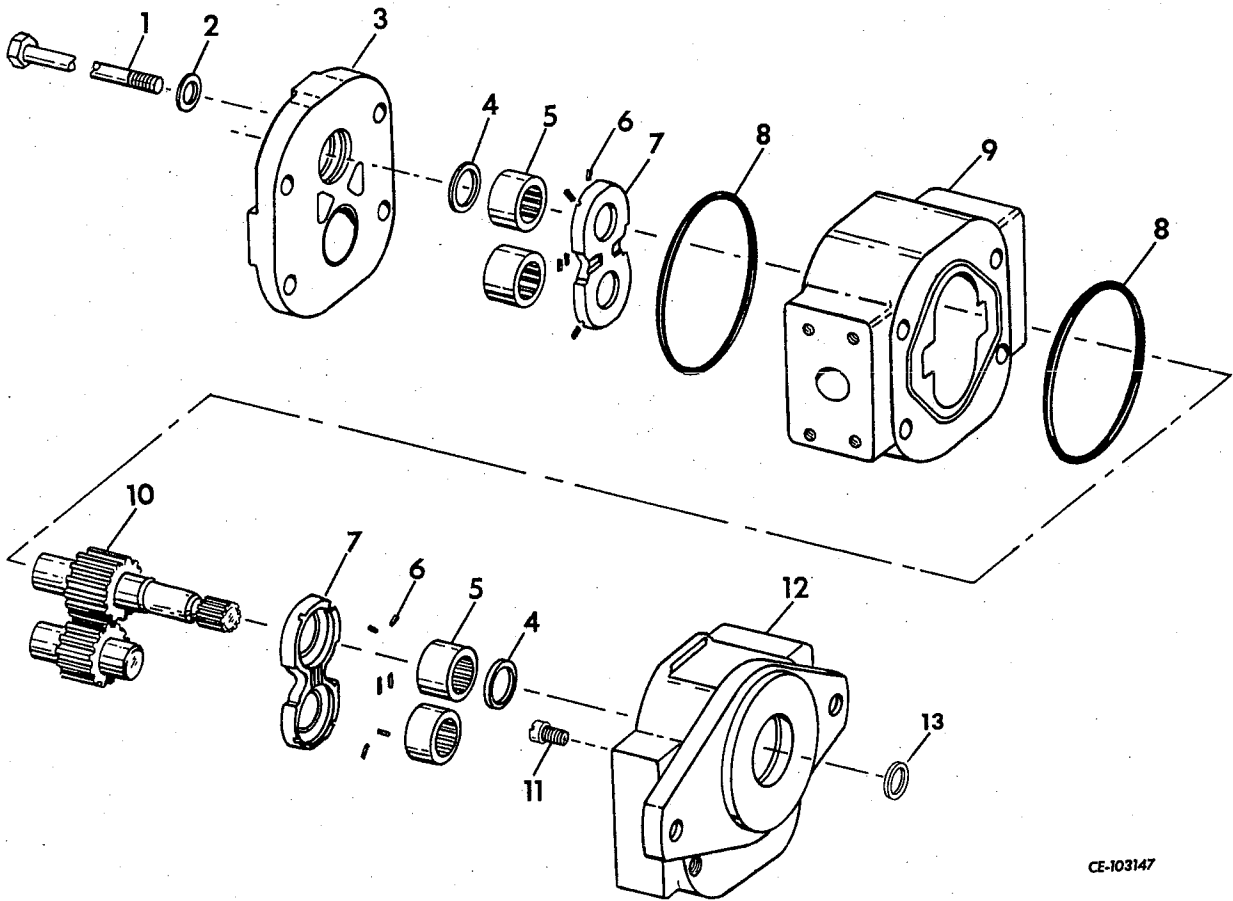
REF. NO.	PART NUMBER	DESCRIPTION	REF. NO.	PART NUMBER	DESCRIPTION
STEERING BOOSTER – Continued					
17		PISTON, booster (Not furnished separately)			
18	341 922 R1	BALL, piston booster			
19		VALVE, booster piston (Not furnished separately)			
20		RING, piston sealing (Order PACKAGE, 636 235 C91) (4)			
21	620 321 C1	SPRING, piston valve return			
22	625 776 C1	RING, piston rod back-up (Also part of PACKAGE, 636 235 C91)			
	636 235 C91	PACKAGE, cylinder seal ring (Services one cylinder (x) (Consists of -			
		1 RING	350 818 R1		
		1 RING	369 908 R1		
		1 RING	379 961 R1		
		1 RING	625 776 C1		
		§ 4 RING, piston sealing			
		§ 3 SEAL and WIPER			

(x) - As required.
 § - Not furnished separately.

HYDRAULICS

REF. NO.	PART NUMBER	DESCRIPTION	REF. NO.	PART NUMBER	DESCRIPTION
----------	-------------	-------------	----------	-------------	-------------

EQUIPMENT PUMP:



CE-103147

A	657 704 C91	PUMP ASSY., hydraulic (For Manual Shift)	8	"O" RING, 4-1/4 x 4-1/2 x 1/8" (+)(2)	
	25 526 R1	NUT, 1/2" (2)	9	613 810 C1	HOUSING, gear
B	657 735 C91	PUMP ASSY., hydraulic (For power shift)	10	630 416 C1	SET, drive and driven gear
	24 874 R1	SCREW, hex-hd cap (2)	11	625 322 C1	PLUG
1	272 552	SCREW, hex-hd cap (4)	12	630 417 C1	COVER, shaft end (A)
2	524 443 R1	WASHER (4)	12	627 661 C1	COVER, shaft end (B)
3	627 660 C1	COVER, port end	13		SEAL, oil (+)
4	627 657 C1	SEAL SHAFT (2)			
5	610 247 C91	BEARING (4)			
6		SEAL, pocket (+) (12)			
7	610 228 C2	PLATE, thrust (2)			

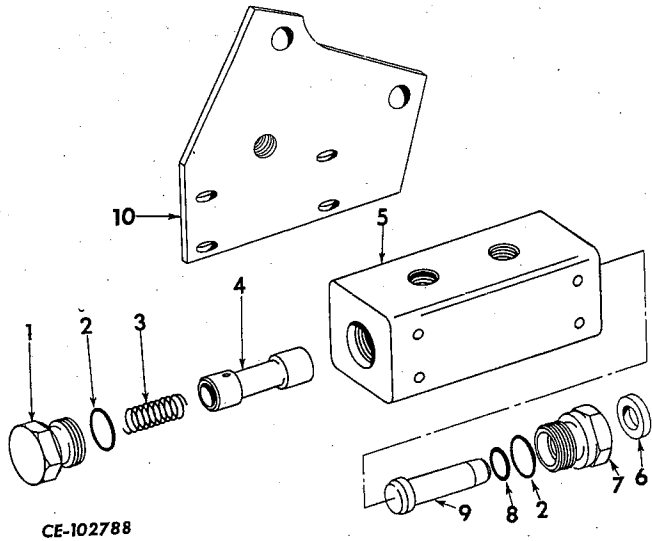
(+) - Order KIT, 637 470 C91

637 470 C91 KIT, seal repair
(Consists of —
\$ 2 "O" RING
\$ 1 SEAL
\$ 1 SEAL

HYDRAULICS

REF. NO.	PART NUMBER	DESCRIPTION	REF. NO.	PART NUMBER	DESCRIPTION
----------	-------------	-------------	----------	-------------	-------------

DIVERTER VALVE
 (For Manual Shift and Custom Application)
 (Webster Electric Co.)



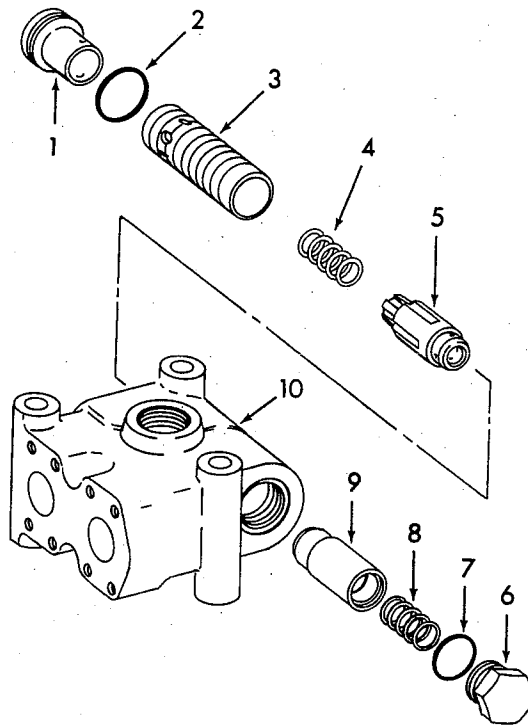
- 654 180 C91 DIVERTER VALVE ASSEMBLY
- 25 672 R1 SCREW, hex-hd cap (4)
- 120 392 WASHER, flat (4)
- 19 592 R1 NUT (4)
- (Consists of the following parts -

- 1 627 710 C1 PLUG
- 2 364 885 R1 "O" RING (2)
- 3 627 709 C1 SPRING
- 4 SPOOL (Not furnished separately)
- 5 HOUSING (Not furnished separately)
- 6 398 691 R91 SEAL
- 7 627 708 C91 PLUG w/SEAL, 398 691 R91
- 8 627 711 C1 "O" RING (.50 x .62 x .070")
- 9 SPOOL (Not furnished separately)
- 10 654 206 C1 SUPPORT, diverter valve
- 25 526 R1 NUT (2)
- 24 860 R1 SCREW, 1/2 x 1" hex-hd cap
- 24 866 R1 SCREW, 1/2 x 2-1/2" hex-hd cap
- (2)
- 613 454 C1 WASHER (3)

HYDRAULICS

REF. NO.	PART NUMBER	DESCRIPTION	REF. NO.	PART NUMBER	DESCRIPTION
----------	-------------	-------------	----------	-------------	-------------

BLADE EQUIPMENT QUICK DROP VALVE



CE-104830 A

	656 169 C91	VALVE ASSY., quick drop		7	296 247 R1	"O" RING, 1.171 x 1.403 x .116"
	9 413 981	NUT, lock (3)				
	24 858 R1	SCREW, hex-hd cap (3)				
	118 776	WASHER, flat (3)				
		(Consists of -				
1	605 261 C1	SLEEVE				
2	328 249 R1	"O" RING, 1-5/8 x 1-3/4 x 1/16"				
3		SPOOL (Not furnished separately)				
4	656 266 C2	SPRING, spool				
5	656 167 C1	STOP, spool				
6	9 410 363	PLUG				
				10		BODY (Not furnished separately)
					608 366 C92	BRACKET, valve mounting (Not part of Valve Assy.) (% and below)(+)
					25 526 R1	NUT (2)
					24 861 R1	SCREW, hex-hd cap (2)
					116 121	WASHER, lock (2)

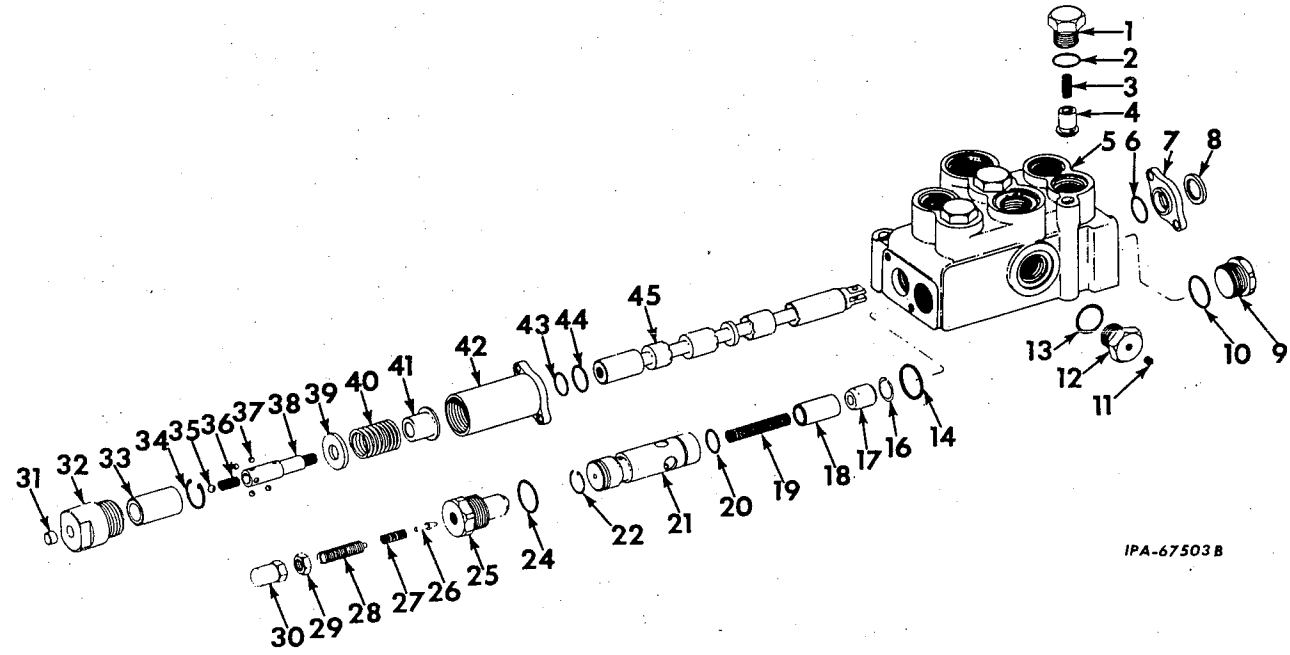
(+) - Not For Low Ground Pressure.

(%) - Serial number not available.

HYDRAULICS

REF. NO.	PART NUMBER	DESCRIPTION	REF. NO.	PART NUMBER	DESCRIPTION
----------	-------------	-------------	----------	-------------	-------------

HYDRAULIC CONTROL VALVE
(Single Spool)
(For Manual Shift and Power Shift)



IPA-67503 B

	332 975 R94	VALVE ASSY., hydraulic (Single spool)	13	307 915 R1	"O" RING (1.475 x 1.711 x .118") (2)
	9 413 956	NUT, stover lock (3)		343 902 R1	"O" RING (1-1/4 x 1-3/8 x 1/16")
	24 867 R1	SCREW, 1/2 x 3-1/2" hex-hd cap (2)	14	342 008 R1	RING, poppet retaining
	25 687 R1	SCREW, 1/2 x 6" hex-hd cap (Consists of -	16	342 005 R1	SEAT, valve
1	335 579 R1	CAP, valve (2)	17	342 006 R11	POPPET, relief
2	296 247 R1	"O" RING (1.171 x 1.403 x .116") (2)	18	342 004 R1	SPRING, pilot relief
3	335 618 R1	SPRING, valve (2)	19	343 900 R1	"O" RING (1-1/16 x 1-3/16 x 1/16")
4	335 617 R1	PLUNGER, valve (2)	20	342 010 R3	HOUSING, pilot relief
5		BODY (Not furnished separately)	21	342 007 R1	WIRE, pilot relief
6	350 818 R1	"O" RING (1 x 1-1/4 x 1/8")	22	252 483 R1	"O" RING (1-1/4 x 1-1/2 x 1/8")
7	335 613 R1	PLATE, wiper	24	342 327 R1	CAP, relief valve
	25 493 R1	SCREW, hex-hd cap (2)	25	342 011 R2	POPPET
8	277 181 R91	SEAL, wiper	26	605 031 C1	SPRING
9	342 016 R1	PLUG, relief valve	27	342 014 R1	SCREW, adjusting
10	310 928 R1	"O" RING (1-1/4 x 1-1/2 x 1/8")	28	59 657 D	WASHER (2)
11	444 612	PLUG, pipe (2)	29	114 496	NUT, NF jam
12	335 633 R1	PLUG, port (2)	30	342 015 R1	COVER, adjusting screw

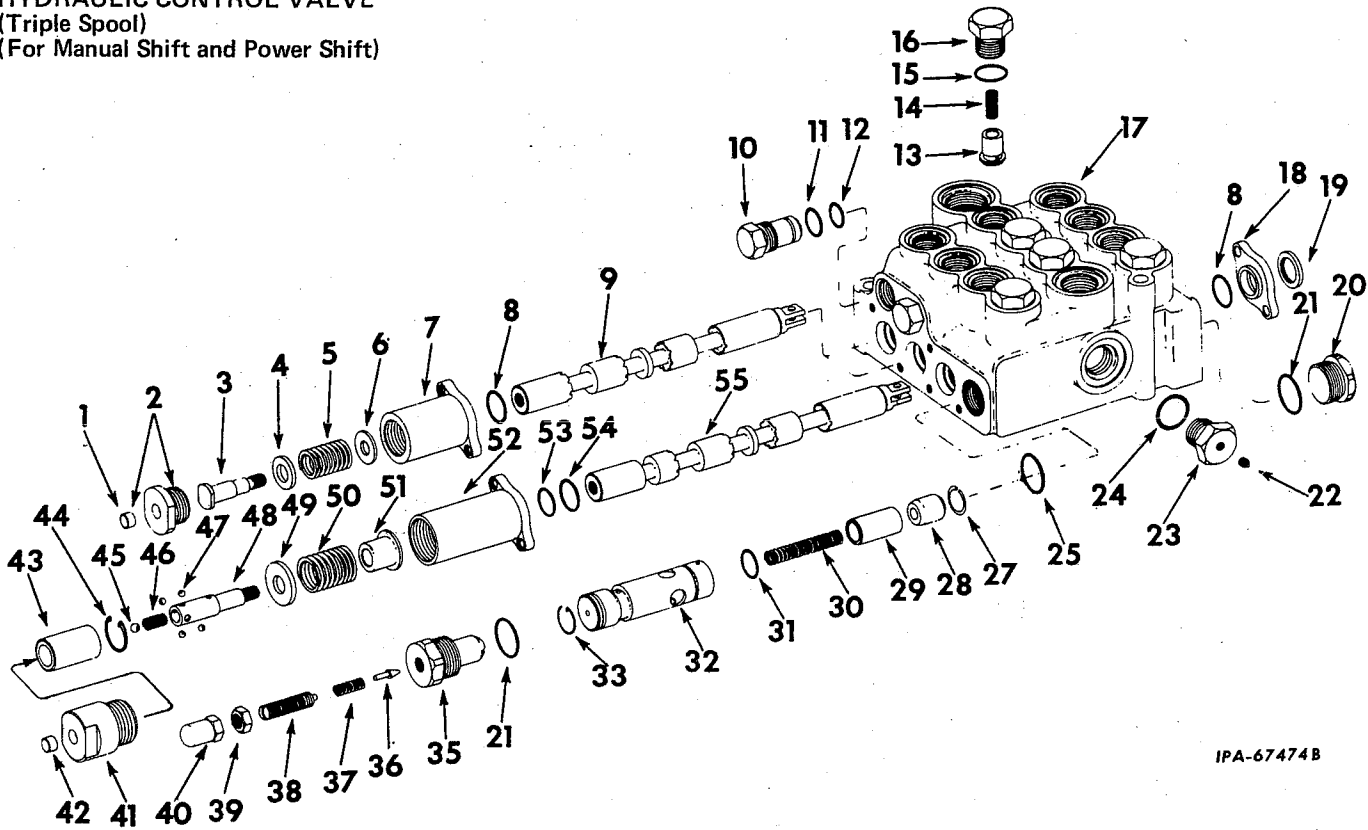
HYDRAULICS

REF. NO.	PART NUMBER	DESCRIPTION	REF. NO.	PART NUMBER	DESCRIPTION
HYDRAULIC CONTROL VALVE — Continued (Single Spool) (For Manual Shift and Power Shift)					
31	376 429 R1	FILTER, bronze			
32	335 595 R1	CAP			
33	342 019 R1	SLEEVE, detent			
34	301 230 R1	RING, snap			
35	17 014 R1	BALL, steel			
36	342 018 R1	SPRING, detent			
37	17 011 R1	BALL, 11/32" steel (4)			
38	602 013 C1	PIN			
39	335 598 R2	SPACER, spring			
40	335 599 R2	SPRING, centering			
41	335 601 R1	HOLDER, spring			
42	335 602 R11 21 035 R1	PLATE, retaining SCREW, hex-soc-hd cap (2)			
43	350 818 R1	"O" RING (1 x 1-1/4 x 1/8")			
44	298 382 R1	"O" RING (1-5/16 x 1-7/16 x 1/16")			
45		SPOOL (Not furnished separately)			

HYDRAULICS

REF. NO.	PART NUMBER	DESCRIPTION	REF. NO.	PART NUMBER	DESCRIPTION
----------	-------------	-------------	----------	-------------	-------------

**HYDRAULIC CONTROL VALVE
(Triple Spool)
(For Manual Shift and Power Shift)**



IPA-67474B

	346 183 R92	VALVE ASSY., hydraulic (Triple spool)	11	368 269 R1	"O" RING (.924 x 1.156 x .116") (4)
	9 413 956	NUT, 1/2" stover lock (3)	12	364 840 R1	"O" RING (13/16 x 15/16 x 1/16") (4)
	24 867 R1	SCREW, 1/2 x 3-1/2" hex-hd cap (2)	13	335 617 R1	PLUNGER, valve (4)
	25 687 R1	SCREW, 1/2 x 6" hex-hd cap (Consists of -	14	335 618 R1	SPRING, valve (4)
1	376 429 R1	FILTER, detent cap bronze (2)	15	296 247 R1	"O" RING (1.171 x 1.403 x .116") (4)
2	335 606 R11	CAP w/FILTER, 376 429 R1, detent (2)	16	335 579 R1	CAP, valve (4)
3	335 607 R1	PIN (2)	17		BODY, valve (Not furnished separately)
4	335 608 R2	SPACER (2)	18	335 613 R1 21 035 R1	PLATE, wiper (3) SCREW, hex-soc-hd cap (6)
5	335 609 R1	SPRING, centering (2)	19	277 181 R91	SEAL, wiper (3)
6	335 611 R2	SPACER (2)	20	342 016 R1	PLUG
7	342 002 R1 21 035 R1	HOUSING, detent (2) SCREW, hex-soc-hd cap (4)	21	252 483 R1	"O" RING (1-1/4 x 1-1/2 x 1/8") (2)
8	350 818 R1	"O" RING (1 x 1-1/4 x 1/8") (5)	22	444 612	PLUG, 1/8" pipe (2)
9		SPOOL, double acting (Not furnished separately)	23	335 633 R1	PLUG, 1-1/4" port (2)
10	342 020 R1	PLUG (4)	24	307 915 R1	"O" RING (1.475 x 1.711 x .188") (2)

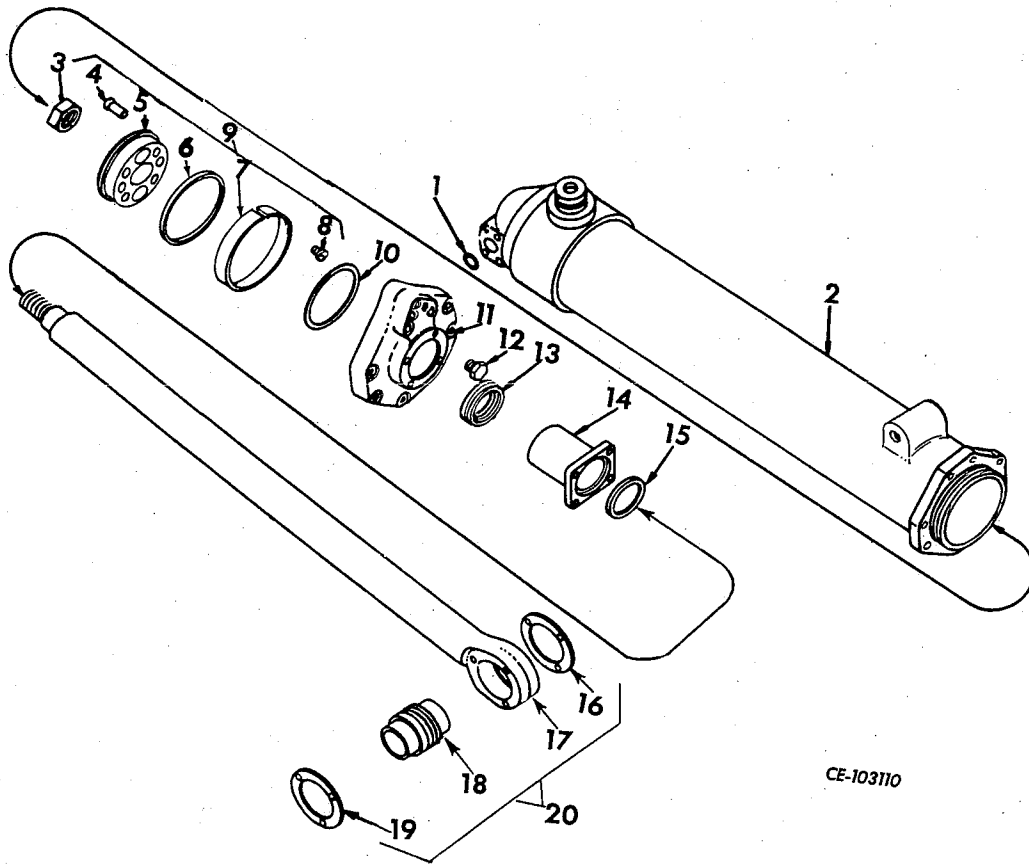
HYDRAULICS

REF. NO.	PART NUMBER	DESCRIPTION	REF. NO.	PART NUMBER	DESCRIPTION
HYDRAULIC CONTROL VALVE — Continued (Triple Spool) (For Manual Shift and Power Shift)					
			343 521 R1	PLATE, number	
25	343 902 R1	"O" RING (1-1/4 x 1-3/8 x 1-1/16")	40 329 DA	RIVET, plate securing (2)	
27	342 008 R1	RING, poppet retaining			
28	342 005 R1	SEAT, valve			
29	342 006 R11	POPPET, relief			
30	342 004 R1	SPRING, pilot relief			
31	343 900 R1	"O" RING (1-1/16 x 1-3/16 x 1/16")			
32	342 010 R3	HOUSING, pilot relief			
33	342 007 R1	WIRE, pilot relief			
35	342 327 R1	CAP, relief valve			
36	342 011 R2	POPPET, pilot relief			
37	605 031 C1	SPRING			
38	342 014 R1 59 657 D	SCREW, adjusting WASHER (2)			
39	114 505	NUT, 1/2" jam			
40	342 015 R1	COVER, adjusting			
41	335 595 R1	CAP			
42	376 429 R1	FILTER, bronze			
43	342 019 R1	SLEEVE, detent			
44	383 878 R1	RING, snap			
45	17 014 R1	BALL, 7/16" dia. steel			
46	602 014 C1	SPRING, detent			
47	17 011 R1	BALL, 11/32" dia. (4)			
48	602 013 C1	PIN			
49	335 598 R2	SPACER, spring			
50	335 599 R2	SPRING, centering			
51	335 601 R1	HOLDER, spring			
52	602 881 C1 179 818	PLATE, retaining SCREW, 5/16 x 1" hex-hd cap (PLN Type 5) (2)			
53	350 818 R1	"O" RING (1 x 1-1/4 x 1/8")			
54	347 070 R1	"O" RING (1-5/16 x 1-7/16 x 1/16")			
55		SPOOL, float (Not furnished separately)			

HYDRAULICS

REF. NO.	PART NUMBER	DESCRIPTION	REF. NO.	PART NUMBER	DESCRIPTION
----------	-------------	-------------	----------	-------------	-------------

BLADE LIFT CYLINDER
2362 and below



CE-103110

	704 018 C91	CYLINDER ASSY., hydraulic lift (2) (For LH application bulldozer, order - 1 CYLINDER 707 177 C91 1 TUBE 662 298 C91 1 TUBE 662 300 C91) (For LH application bulldozer, order - 1 CYLINDER 707 177 C91 1 TUBE 632 333 C91 1 TUBE 632 335 C91) (For RH application bulldozer, order - 1 CYLINDER 707 177 C91 1 TUBE 662 299 C91 1 TUBE 662 301 C91) (For RH application bulldozer, order - 1 CYLINDER 707 177 C91 1 TUBE 632 336 C91 1 TUBE 632 334 C91)			(For LH application bulldozer, order - 1 CYLINDER 707 177 C91 1 TUBE 632 333 C91 1 TUBE 632 335 C91) (For RH application bulldozer, order - 1 CYLINDER 707 177 C91 1 TUBE 662 299 C91 1 TUBE 662 301 C91) (For RH application bulldozer, order - 1 CYLINDER 707 177 C91 1 TUBE 632 336 C91 1 TUBE 632 334 C91)
			3	27 137 R1	NUT
			4		STEM, relief valve (Order VALVE, 296 590 R91) (2)
			5		PISTON, hydraulic cylinder (Order PISTON ASSY., 623 823 C92)
			6		RING, piston seal (Order PACKAGE, 679 325 C91)
			7		RING, piston wear (Order PACKAGE, 679 325 C91) (2)
			8		END, relief valve (Order VALVE, 296 590 R91) (2)
1	708 560 R1	"O" RING, 1-5/16 x 1-9/16 x 1/8"			
2	704 014 C1	HOUSING, cylinder (For LH application bulldozer, order - 1 CYLINDER 707 177 C91 1 TUBE 662 298 C91 1 TUBE 662 300 C91)			

HYDRAULICS

REF. NO.	PART NUMBER	DESCRIPTION	REF. NO.	PART NUMBER	DESCRIPTION
BLADE LIFT CYLINDER – Continued					
2362 and below					
9	623 823 C92	PISTON ASSY., hydraulic cylinder (Composed of - § 2 END § 1 PISTON § 1 RING, piston seal § 2 RING, wear § 2 STEM 1 VALVE 296 590 R91)	679 325 C91	PACKAGE, cylinder seal ring (Services on cylinder) (x) (Consists of - § 1 PACKING, rod 1 RING 343 926 R1 1 RING 666 381 C1 § 2 RING, wear § 1 RING, piston seal § 1 SEAL, rod wiper	
10	343 926 R1 666 381 C1	"O" RING, 4-7/8 x 5-1/8 x 1/8" Also part of PACKAGE, 679 325 C91) RING, back-up (Also part of PACKAGE, 679 325 C91)			
11	333 275 R2 24 852 R1 70 428 R1	CAP, cylinder SCREW, 7/16 x 2-1/4" hex-hd cap (6) SCREW, 7/16 x 3-1/4" hex-hd cap (2)			
12	444 824	PLUG, NPT hex-hd			
13		PACKING, rod (Order PACKAGE, 679 325 C91)			
14	333 276 R1 25 505 R1 116 121	GLAND, packing SCREW, hex-hd cap (4) WASHER, lock (4)			
15		SEAL, rod wiper (Order PACKAGE, 679 325 C91)			
16	320 742 R1 179 891	PLATE, inner locking SCREW, hex-hd cap (3)			
17		ROD, cylinder piston (Order ROD ASSY., 333 356 R11)			
18	321 247 R91	BEARING, piston rod			
19	320 741 R1	PLATE, outer locking			
20	333 356 R11	ROD ASSY., piston (Composed of - 1 BEARING 321 247 R91 1 FITTING 109 461 1 PLATE 320 741 R1 1 PLATE 320 742 R1 § 1 ROD)			
	109 461	FITTING, lubrication (3)			
	343 905 R1	"O" RING, 1-1/8 x 1-3/8 x 1/8"			
	296 590 R91	VALVE w/END and STEM, relief (x)			

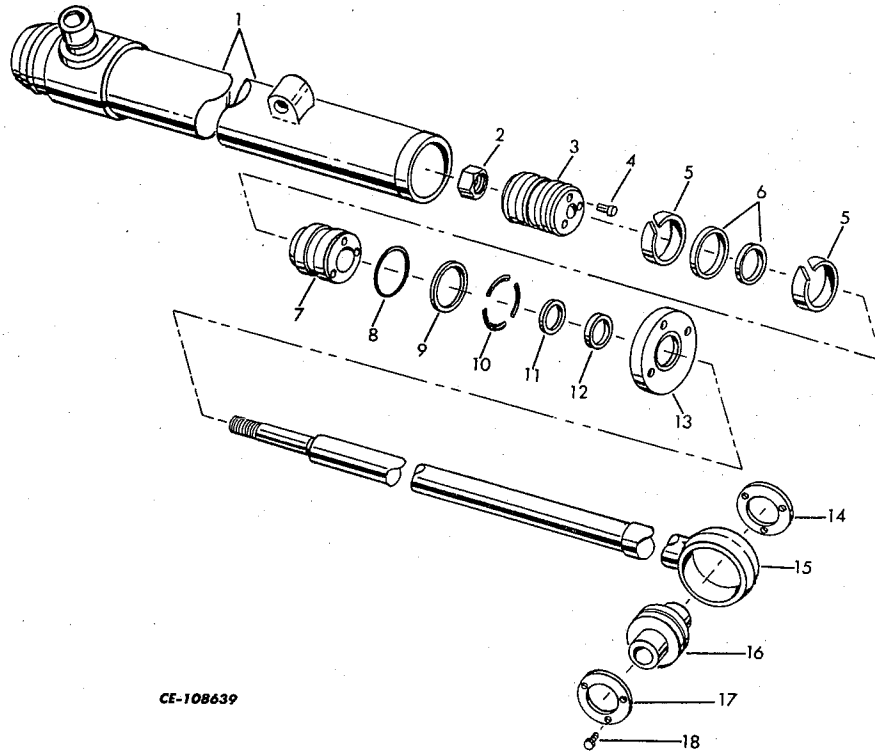
(x) - As Required.

§ - Not Furnished Separately.

HYDRAULICS

REF. NO.	PART NUMBER	DESCRIPTION	REF. NO.	PART NUMBER	DESCRIPTION
----------	-------------	-------------	----------	-------------	-------------

BLADE LIFT CYLINDER
2363 and up



CE-108639

A	658 501 C91	CYLINDER ASSY., hydraulic lift (Order CYLINDER, 707 177 C91) (2) (+)	8	347 914 R1	"O" RING (%) (Also part of PACKAGE, 636 131 C91)
B	707 177 C91	CYLINDER ASSY., hydraulic lift (2)(+)	9	629 274 C1	RING, back-up (%)
C	707 161 C91	CYLINDER ASSY., hydraulic lift (2) (For Low Ground Pressure)	10	174 299 H1	RING, locking (3)
1	658 503 C1	HOUSING, cylinder (w/cast hanger support) (Order CYLINDER ASSY., 707 177 C91) (A)	11		SEAL, rod (%)
1	707 176 C1	HOUSING, cylinder (w/welded hanger support) (B)	12		SEAL, rod wiper (%)
	109 461	FITTING, lube (2)	13	657 983 C1	COVER (w/3 screw holes) (A)
				656 442 C1	GASKET, cover (part of PACKAGE, 636 131 C91)
				26 679 R1	SCREW, hex-hd cap (3)
				25 533 R1	WASHER, flat (3)
1	707 151 C1	HOUSING, cylinder (w/welded hanger support) (C)	13	707 153 C1	COVER, cylinder (w/6 screw holes) (B and C)
	109 461	FITTING, lube (2)		347 914 R1	RING, cover sealing (%)
				26 679 R1	SCREW, hex-hd cap (6)
				25 533 R1	WASHER, flat (6)
2	27 137 R1	NUT	14	320 741 R1	PLATE, outer locking
	214 757 R2	WASHER, flat			
3	657 985 C2	PISTON			
4	656 307 C1	POPPET (6)			
5		RING, wear (%) (2)			
6		SEAL, piston (%)			
7	657 984 C1	CAP, cylinder (w/6 screw holes) (B and C)			(%) - Part of PACKAGE, 636 131 C91
7	707 156 C2	CAP, cylinder (w/6 screw holes) (B)			(+) - Not For Low Ground Pressure.
					§ - Not Furnished Separately.

HYDRAULICS

REF. NO.	PART NUMBER	DESCRIPTION	REF. NO.	PART NUMBER	DESCRIPTION
BLADE LIFT CYLINDER – Continued					
2363 and up					
15	658 508 C91	ROD ASSY., piston (A and B) (Composed of -			
		1 BEARING	321 246 R91		
		1 FITTING	109 461		
		1 PLATE	320 741		
		1 PLATE	320 742		
		§ 1 ROD			
		3 SCREW	24 866 R1)		
	109 461	FITTING, lube			
15	657 981 C91	ROD ASSY., piston (C) (Composed of -			
		1 BEARING	321 246 R91		
		1 FITTING	109 461		
		1 PLATE	320 741		
		1 PLATE	320 742		
		§ 1 ROD			
		3 SCREW	24 866 R1)		
16	321 246 R91	BEARING, rod			
	OR				
16	321 247 R91	BEARING, rod			
	OR				
16	717 719 C91	BEARING, rod			
17	320 742 R91	PLATE, inner locking			
	24 866 R1	SCREW, hex-hd cap (3)			
18	24 866 R1	SCREW, hex-hd cap (3)			
	636 131 C91	PACKAGE, cylinder seal ring (Services one cylinder) (x) (Consists of -			
		1 GASKET	656 442 C1		
		1 RING	347 914 R1		
		1 RING,back-up	629 274 C1		
		§ 2 RING,wear			
		§ 1 RING, piston seal			
		§ 1 SEAL, rod wiper			
		§ 1 SEAL, rod)

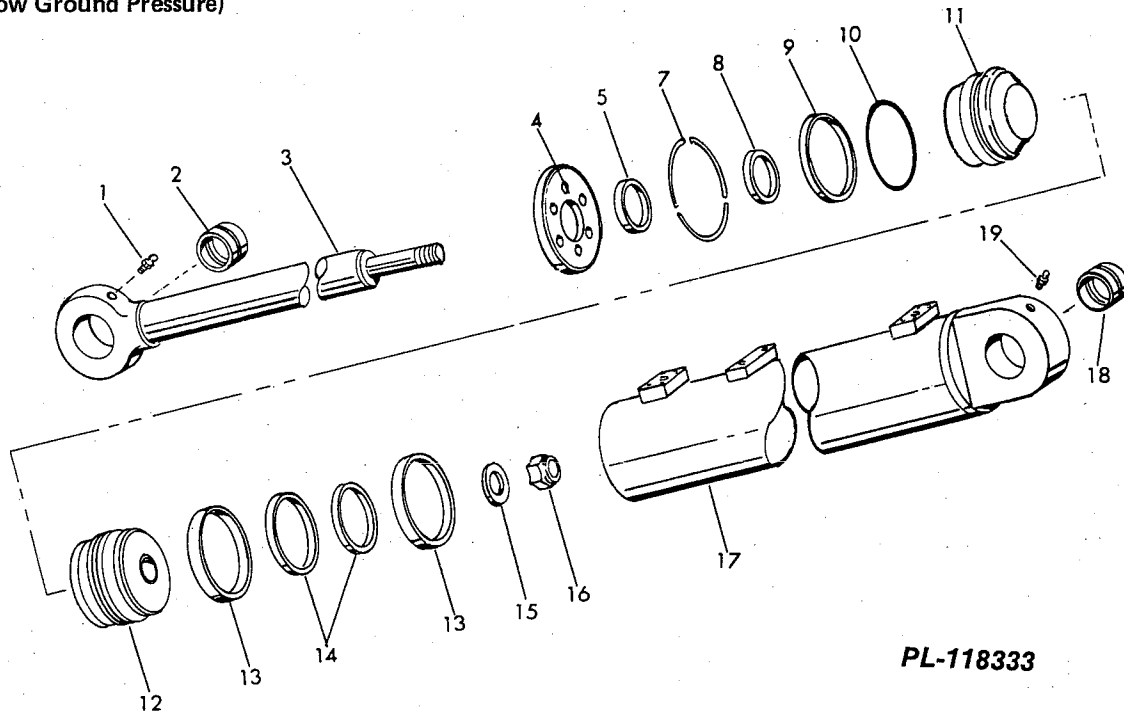
(x) - As required.

§ - Not furnished separately.

HYDRAULICS

REF. NO.	PART NUMBER	DESCRIPTION	REF. NO.	PART NUMBER	DESCRIPTION
----------	-------------	-------------	----------	-------------	-------------

RIPPER LIFT CYLINDER
(Not For Low Ground Pressure)



PL-118333

	706 812 C91	CYLINDER ASSY., ripper hydraulic lift (Consists of the following parts except Ref. Nos. 1 and 19)	13		RING, piston wear (Order PACKAGE, 636 149 C91) (2)
1	109 461	FITTING, lube (Not part of Cylinder Assembly)	14		SEAL, piston (Order PACKAGE, 636 149 C91)
2	710 158 C1	BUSHING	15	26 609 R1	WASHER, flat hardened
3	706 818 C91	ROD w/BUSHING, 710 158 C1, piston	16	20 513 R1	NUT
4	706 821 C1 27 406 R1 25 536 R1	COVER, cylinder cap SCREW, hex-hd cap (6) WASHER, hardened (6)	17	706 813 C91	TUBE w/BUSHING, 710 158 C1, cylinder
5		SEAL, rod wiper (Order PACKAGE, 636 149 C91)	18	710 158 C1	BUSHING
7	626 085 C1	SEGMENT, lock ring (3)	19	126 152	FITTING, lube (Not part of Cylinder Assembly)
8		SEAL, piston rod (Order PACKAGE, 636 149 C91)		636 149 C91	PACKAGE, cylinder seal ring (Services one cylinder) (x) (Consists of -
9	606 419 C1	RING, back-up (Also part of PACKAGE, 636 149 C91)			1 RING 343 913 R1 1 RING 606 419 C1
10	343 913 R1	RING, sealing (Also part of PACKAGE, 636 149 C91)			§ 2 RING, wear § 1 SEAL, rod wiper § 1 SEAL, piston § 1 SEAL, rod
11	706 820 C1	CAP, cylinder			
12	706 719 C1	PISTON			

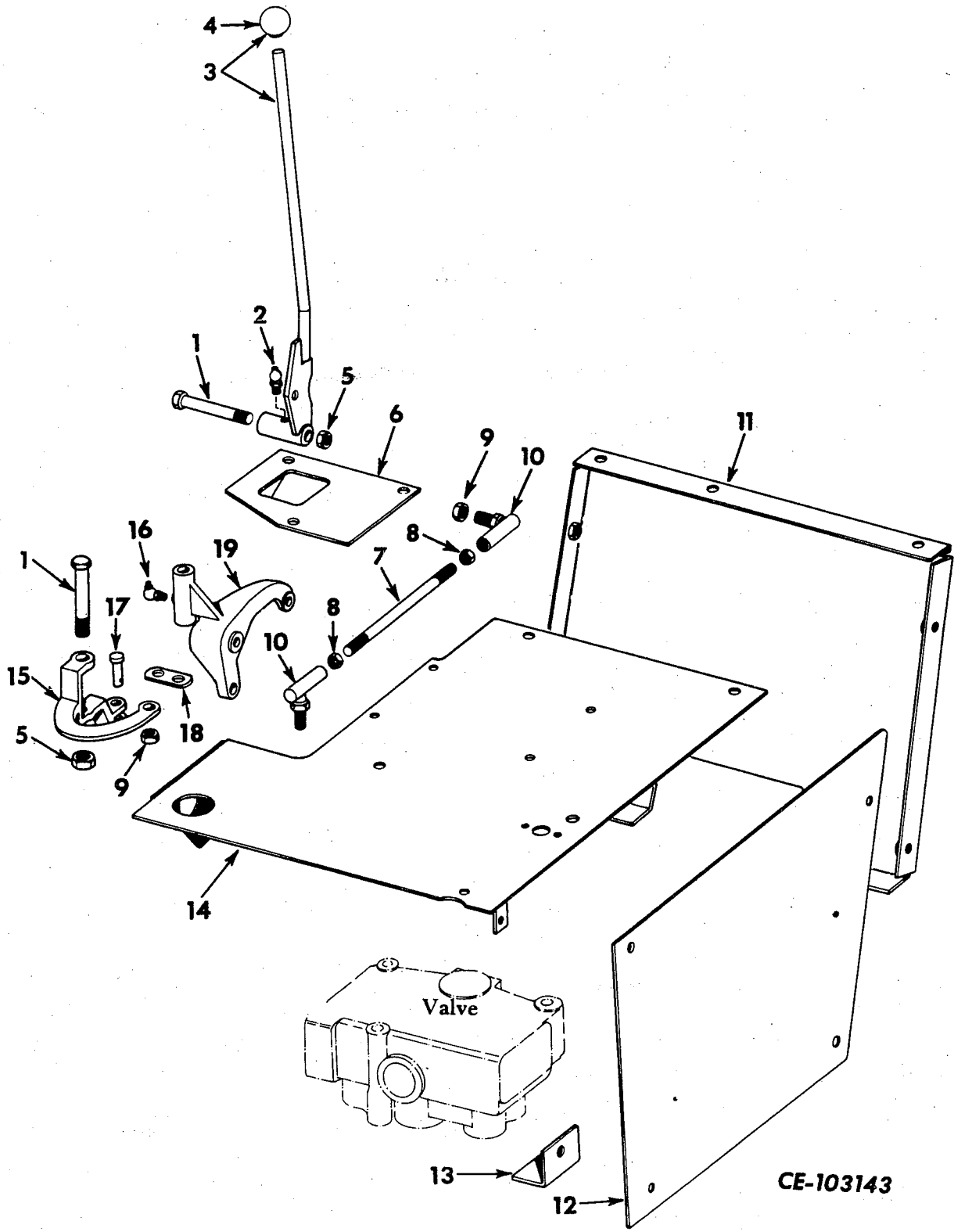
§ - Not furnished separately.

HYDRAULICS

REF. NO.	PART NUMBER	DESCRIPTION	REF. NO.	PART NUMBER	DESCRIPTION
LIFT CYLINDER YOKE			STEERING LEVERS		
	CE-94234			CE-102839	
1		CYLINDER ASSY., lift (Refer to "Blade Lift Cylinder") (2)	1	347 768 R1	HANDLE, steering lever (2)
2	623 401 C93	YOKE and CAP w/two BUSHINGS, 294 684 R1 and two PIN, 19 407 R1, lift cylinder (2)	2	651 872 C92	LEVER w/two BUSHING, 604 151 C1 and FITTING, 109 461, LH steering hand (For manual shift and power shift)
	24 875 R1	SCREW, hex-hd cap (4)	2	651 874 C92	LEVER w/two BUSHING, 604 151 C1 and FITTING, 109 461, LH steering hand (For custom application)
3	294 684 R1	BUSHING, lift yoke and cap (4)	2	651 873 C92	LEVER w/two BUSHING, 604 151 C1 and FITTING, 109 461, RH steering hand (For manual shift and power shift)
	19 407 R1	PIN, bushing retainer (4)	2	651 875 C92	LEVER w/two BUSHING, 604 151 C1 and FITTING, 109 461, RH steering hand (For custom application)
4	294 799 R1	WASHER, thrust (2) (Not For Low Ground Pressure) 2953 and below	3	604 151 C1	BUSHING, steering hand lever (4)
5	717 982 C1	RING, (Replaces, 176 916 H1) cord	4	620 300 C1	SPRING, hand lever return (2)
	19 910 R1	NUT (x)	5	325 193 R1	SHAFT, hand lever
	28 210 R1	SCREW, hex-hd cap (x)		657 196 R1	PIN, roll
	22 652 R1	WASHER, flat (x)		109 461	FITTING, lub. (2)
6	320 788 R1	PIN, cylinder mounting (2)			
	9 412 230	NUT, lock (2)			
	275 635 R1	SCREW, hex-hd cap (2)			
7	616 694 C1	PLATE, cylinder hanger (2) (Not For Low Ground Pressure)			
	9 413 983	NUT, lock (2)			
	25 900 R1	SCREW, hex-hd cap (2)			
7	711 797 C1	BAR, cylinder hanger (2) (For Low Ground Pressure)			

HYDRAULICS

HYDRAULIC CONTROLS
(For use with Single Spool Valve)
(For Manual Shift and Power Shift)

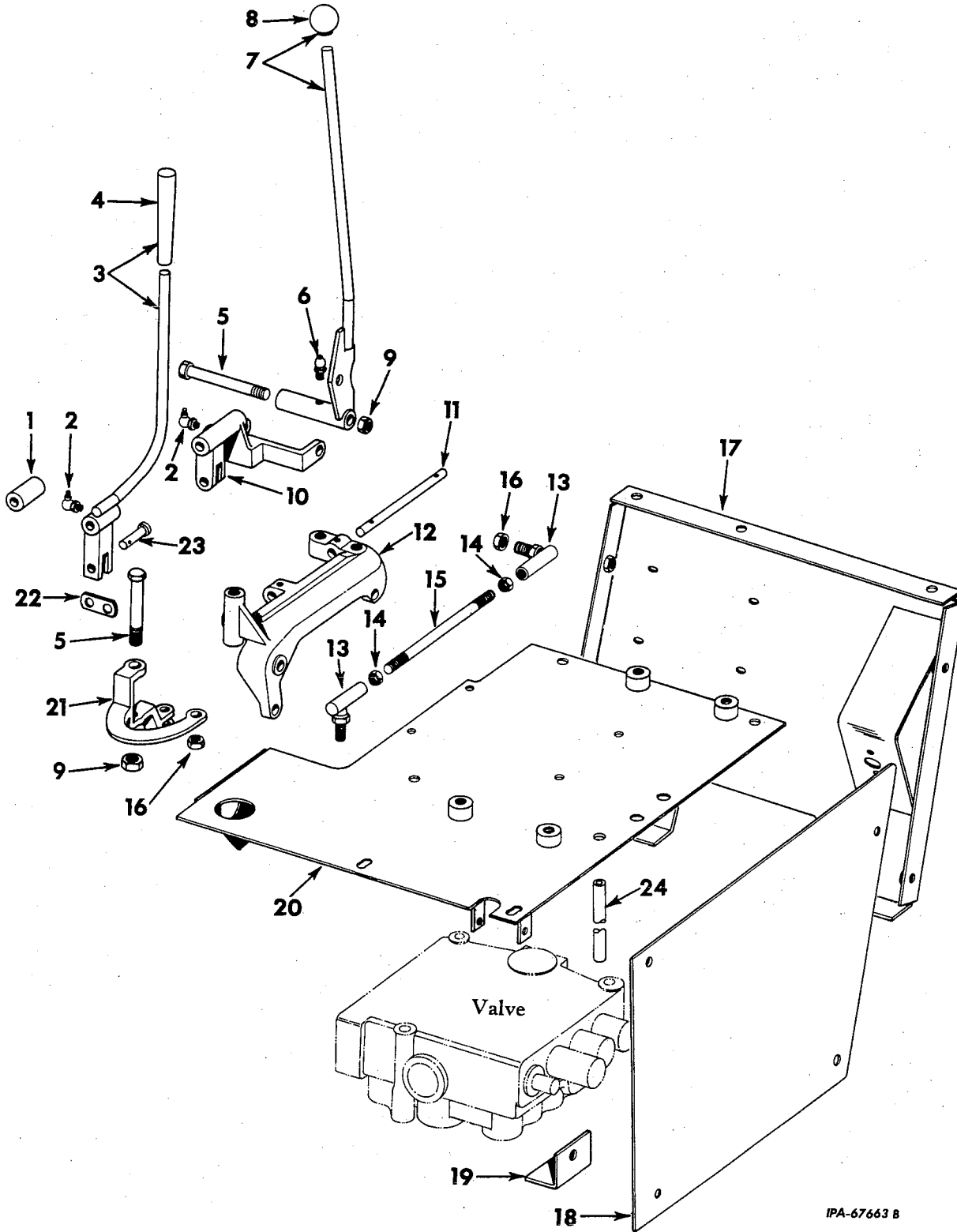


HYDRAULICS

REF. NO.	PART NUMBER	DESCRIPTION	REF. NO.	PART NUMBER	DESCRIPTION
HYDRAULIC CONTROLS – Continued (For use with Single Spool Valve) (For Manual Shift and Power Shift)					
			17	103 496 118 775 103 373	PIN, rod end (2) WASHER, flat (2) PIN, cotter (2)
1	333 795 R1	BOLT (2)			
2	126 152	FITTING, straight lubrication	18	342 490 R1	LINK, valve control (4)
3	333 057 R91	LEVER w/HANDLE, 264 097 R2, lift and tilt	19	337 461 R3 24 861 R1 116 121	BRACKET, control SCREW, hex-hd cap (3) WASHER, lock (3)
4	264 097 R2	HANDLE, lift and tilt lever			
5	9 413 957	NUT, NF stover lock (2)			
6	333 197 R91 25 526 R1 24 861 R1 116 121	BRACKET, control handle NUT (3) SCREW, hex-hd cap (3) WASHER, lock (3)			
7	337 817 R1	STUD			
8	9 413 957	NUT, NF stover lock (2)			
9	114 496	NUT, NF jam (2)			
10	702 131 R1	JOINT, ball (2)			
11	646 250 C1	BRACKET, support (For Power Shift)			
11	602 057 C11	BRACKET, support (For Manual Shift)			
	25 522 R1	NUT, 3/8" (2)			
	25 526 R1	NUT, 1/2"			
	24 861 R1	SCREW, 1/2" hex-hd cap			
	24 840 R1	SCREW, 3/8" hex-hd cap (2)			
	103 343	WASHER, 17/32" flat			
	103 341	WASHER, 13/32" flat (2)			
	115 093	WASHER, 3/8" lock (2)			
	116 121	WASHER, 1/2" lock			
12	333 071 R1 24 840 R1 115 093 615 031 R1	PLATE, side cover SCREW, hex-hd cap (4) WASHER (4) WASHER (4)			
13	333 069 R2 25 526 R1 24 861 R1 116 121	ANGLE NUT (2) SCREW, hex-hd cap (2) WASHER, lock (2)			
14	602 802 C12 25 526 R1 24 860 R1 116 121 24 839 R1 115 093 25 522 R1 24 862 R1 103 343	PLATE, mounting NUT, 1/2" (3) SCREW, 1/2 x 1" hex-hd cap WASHER, 1/2" lock (3) SCREW, 3/8" hex-hd cap (2) WASHER, 3/8" lock (2) NUT, 3/8" (2) SCREW, 1/2 x 1-1/2" hex-hd cap (2) WASHER, flat (4)			
15	337 816 R2	BELLCRANK			
16	109 462	FITTING, lubrication			

HYDRAULICS

HYDRAULIC CONTROLS
(For use with Triple Spool Valve)
(For Manual Shift and Power Shift)



IPA-67663 B

HYDRAULICS

REF. NO.	PART NUMBER	DESCRIPTION	REF. NO.	PART NUMBER	DESCRIPTION
HYDRAULIC CONTROLS – Continued (For use with Triple Spool Valve) (For Manual Shift and Power Shift)					
		Parts without letters after the description indicates the part is used for all Controls listed below.	17	602 057 C11	BRACKET, support (A and B) (For Manual Shift)
				25 522 R1	NUT, 3/8" (2)
				25 526 R1	NUT, 1/2"
				24 861 R1	SCREW, 1/2 x 1-1/4" hex-hd cap
				24 840 R1	SCREW, 3/8 x 1" hex-hd cap (2)
				103 343	WASHER, 17/32" flat
				103 341	WASHER, 13/32" flat (2)
				115 093	WASHER, 3/8" lock (2)
				116 121	WASHER, 1/2" lock
A		Service parts for Hydraulic Controls (For use with Model D-2 or G-2 with ripper and with or without tilt or Model G-2 with ripper)	18	333 071 R1	PLATE, side cover (A and B)
				24 840 R1	SCREW, hex-hd cap (4)
B		Service parts for Hydraulic Controls (For use with tilt)		615 031 R1	WASHER, flat (4)
				115 093	WASHER, lock (4)
C	602 159 C91	ATTACHMENT, auxiliary control (See NOTE 3) (+)	19	333 069 R1	ANGLE (A and B)
				25 526 R1	NUT (2)
				24 861 R1	SCREW, hex-hd cap (2)
				116 121	WASHER, lock (2)
1	335 567 R1	SPACER (B)			
2	109 462	FITTING, lubrication (3 for A, 2 for B, 1 for C)	20	602 802 C12	PLATE, mounting (A and B)
				25 526 R1	NUT, 1/2" (4)
				24 860 R1	SCREW, 1/2 x 1" hex-hd cap (2)
				116 121	WASHER, 1/2" lock (4)
3	335 556 R91	LEVER w/HANDLE, 619 405 C1, ripper (A and C)		24 839 R1	SCREW, 3/8 x 3/4" hex-hd cap (2)
				115 093	WASHER, 3/8" lock (2)
4	619 405 C1	HANDLE, ripper (A and C)		25 522 R1	NUT, 3/8" (2)
5	333 795 R1	BOLT (2 for A and B)		24 862 R1	SCREW, 1/2 x 1-1/2" hex-hd cap (2)
				103 343	WASHER, flat (4)
6	126 152	FITTING, 1/8" straight lubrication (A and B)			
7	333 057 R91	LEVER w/HANDLE, 264 097 R2, lift and tilt (A and B)	21	337 816 R2	BELLCRANK (A and B)
8	264 097 R2	HANDLE, lift and tilt lever (A and B)	22	342 490 R1	LINK, control valve (12 for A, 8 for B, 4 for C)
9	9 413 957	NUT, NF stover lock (2 for A and B)	23	103 496	PIN, rod end (6 for A, 4 for B, 2 for C)
				103 373	PIN, cotter (6 for A, 4 for B, 2 for C)
10	337 815 R2	ARM, control (Lift and tilt) (A and B)		118 775	WASHER, flat (3 for A, 2 for B, 1 for C)
11	333 053 R1	SHAFT, main control (A and B)			
12	337 814 R3	BRACKET, control (A and B)	24		BAR (Not used)
	318 625 R1	BOLT, 1/2"NF x 2-1/4" (2)		333 800 R1	BOLT (2)
	114 496	NUT, NF jam (2)			
	24 861 R1	SCREW, 1/2 x 1-1/4" hex-hd cap (3)			
	116 121	WASHER, lock (3)			
13	702 131 C1	JOINT, ball (2 for A and B)			
14	114 496	NUT, NF jam (2 for A and B)			
15	337 817 R1	STUD (A and B)			
16	9 413 957	NUT, NF stover lock (2 for A and B)			
17	646 250 C1	BRACKET, support (A and B) (For Power Shift)			

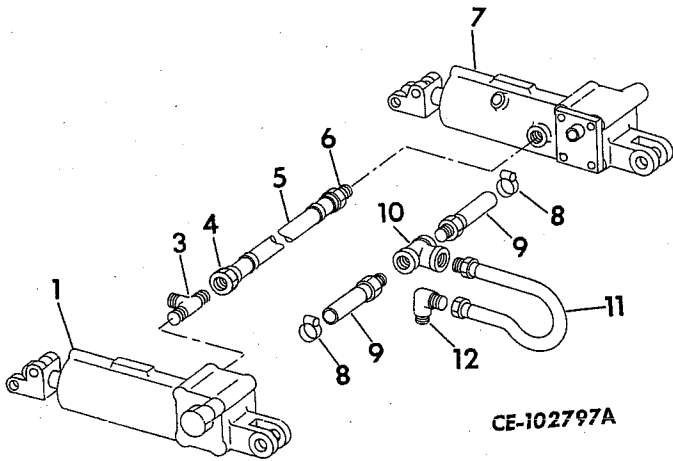
NOTE 3 - Field Application - Order through Regular Parts Channels.

(+) - Not For Low Ground Pressure.

HYDRAULICS

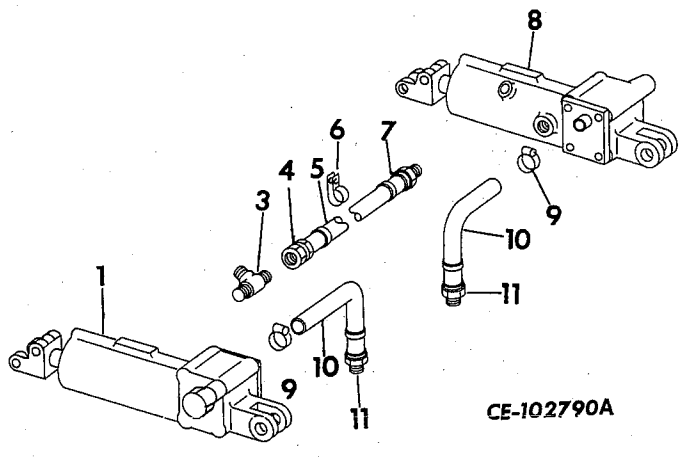
REF. NO.	PART NUMBER	DESCRIPTION
----------	-------------	-------------

STEERING PIPING (For Manual Shift and Custom Application)



REF. NO.	PART NUMBER	DESCRIPTION
----------	-------------	-------------

STEERING PIPING (For Power Shift)



1		VALVE, LH hydraulic steering booster (Refer to "Hydraulic Steering Booster and Related Parts")
3	9 403 098	TEE, booster valve inlet
4		FITTING, hose (Order HOSE, 610 850 C91)
5	610 850 C91	HOSE w/FITTING, booster valve to booster valve (HOSE, 3/4" ID x 11-1/4" long including FITTINGS)
6		FITTING, hose (Order HOSE, 610 850 C91)
7		VALVE, RH hydraulic steering booster (Refer to "Hydraulic Steering Booster and Related Parts")
8	279 025 R91	CLAMP, valve drain hose (2)
9	606 175 C91	HOSE, valve drain (2)
10	144 083	TEE, pipe (Booster valve drain)
11	606 858 C91	HOSE, drain tee to rear frame
12	9 402 864	ELBOW, rear frame inlet
	341 985 R1	CLAMP, filter to valve hose (On planetary inspection cover bolt)

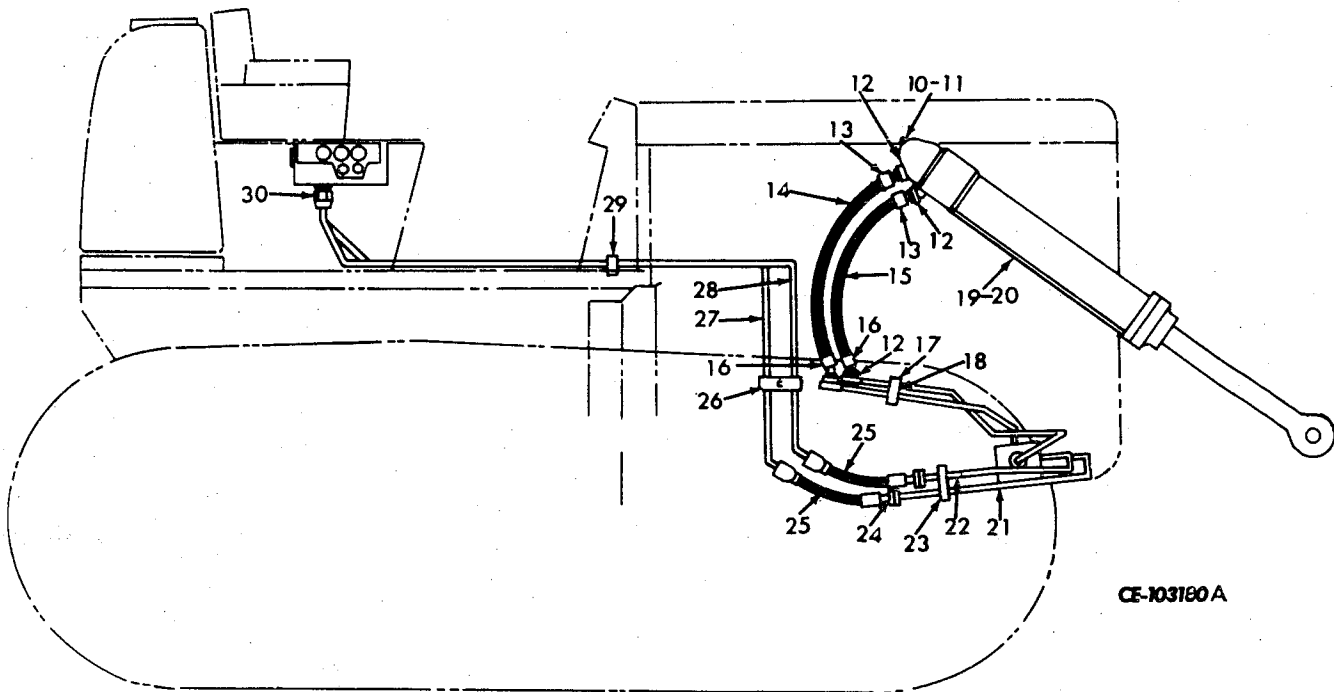
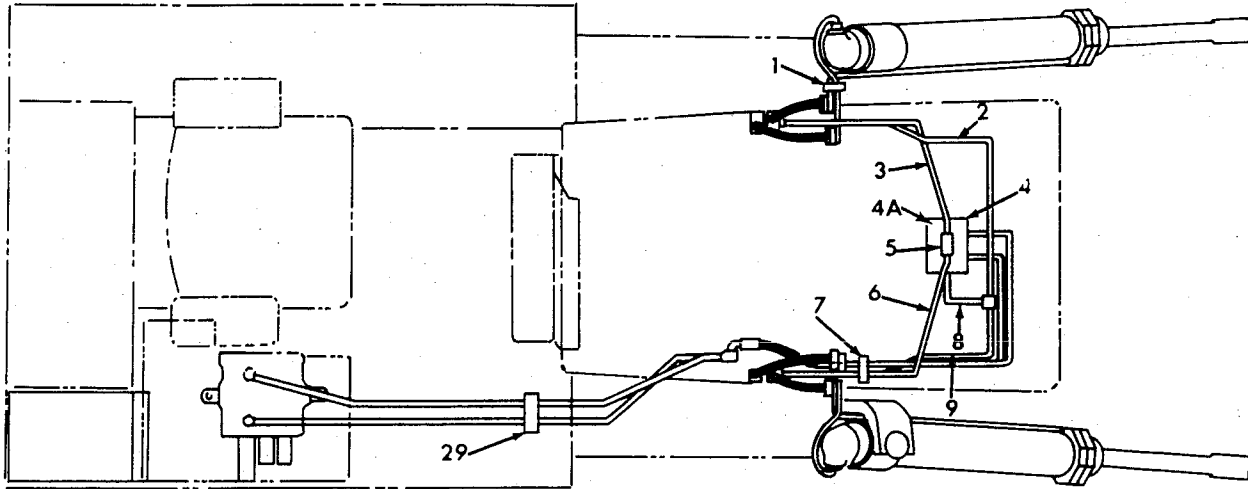
1		VALVE, LH hydraulic steering (Refer to "Hydraulic Steering Booster and Related Parts")
3	9 403 098	TEE, booster valve inlet
4		FITTING, hose (Order HOSE, 610 850 C91)
5	610 850 C91	HOSE w/FITTING, booster valve to booster valve (HOSE, 3/4" ID x 11-1/4" long including FITTINGS)
6	308 581 R1	CLAMP, booster valve hose (2)
7		FITTING, hose (Order HOSE, 610 850 C91)
8		VALVE, RH hydraulic steering booster (For components, see list of parts under details of "Hydraulic Steering Booster and Related Parts")
9	279 025 R91	CLAMP, valve drain hose (2)
10	338 918 R91	HOSE w/FITTING, valve drain (HOSE, 3/8" ID x 7-1/4" long including FITTING) (2)
11		FITTING, hose (Order HOSE, 338 918 R91) (2)
	341 985 R1	CLAMP, filter to valve hose (On planetary inspection cover bolt)

HYDRAULICS

MEMORANDA

HYDRAULICS

BLADE EQUIPMENT TUBING AND HOSES — VALVE TO CYLINDERS (Manual Shift)



CE-103180A

HYDRAULICS

REF. NO.	PART NUMBER	DESCRIPTION	REF. NO.	PART NUMBER	DESCRIPTION
BLADE EQUIPMENT TUBING AND HOSES – Continued					
VALVE TO CYLINDERS					
(Manual Shift)					
1	608 354 C1 24 840 R1 115 093 25 522 R1	CLAMP, tube (4) SCREW, hex-hd cap (2) WASHER, lock (2) NUT (2)	11	632 334 C91 140 483 H 24 621 R1	TUBE, RH head (Bullgrader) (*) 2363 and up SCREW, 1-1/4" long hex-hd cap (2) SCREW, 2-1/4" long hex-hd cap (2)
2	645 788 C1 140 483 H 115 093 343 906 R1	TUBE, LH rod SCREW, hex-hd cap (4) WASHER, lock (4) "O" RING, 1-5/16 x 1-9/16 x 1/8" (2)	115 093		WASHER, lock (4)
3	645 790 C1	TUBE, LH head	12	283 172 R1 140 483 H 115 093 343 906 R1	FLANGE, half, split (16) SCREW, hex-hd cap (32) WASHER, lock (32) "O" RING, 1-5/16 x 1-9/16 x 1/8"
4		VALVE ASSY., quick drop (Refer to "Blade Equipment Quick Drop Valve")	13		FITTING, hose (Not furnished separately)
4A	9 410 363 296 247 R1	PLUG "O" RING (.301 x .429 x .064")	380 794 R1		"O" RING, 1 x 1-1/4 x 1/8" (4)
5	9 411 122 296 247 R1	TEE "O" RING (.301 x .429 x .064")	14	619 624 C1	HOSE w/FITTING, long (HOSE, 3/4" ID x 30-1/2" long including FITTINGS) (2)
6	645 791 C1	TUBE, RH head	15	619 622 C1	HOSE w/FITTING, short (HOSE, 3/4" ID x 25" long including FITTINGS) (2)
7	646 015 C1 24 860 R1 116 121 118 777	ANGLE, tube mounting SCREW, hex-hd cap WASHER, lock WASHER, flat	16		FITTING, hose (Not furnished separately)
8	645 783 C1 24 862 R1 116 121 343 921 R1	TUBE; tee SCREW, hex-hd cap (4) WASHER, lock (4) "O" RING, 1-7/8 x 2-1/8 x 1/8"	380 794 R1		"O" RING, 1 x 1-1/4 x 1/8" (4)
9	645 789 C1 140 483 H 115 093	TUBE, RH rod SCREW, hex-hd cap (4) WASHER, lock (4)	17	608 359 C1 315 972 R1 24 841 R1 608 361 C1 24 843 R1 115 093 118 775 25 522 R1	BRACKET, LH lift tube SPACER SCREW, 1-1/2" hex-hd cap (2) CLAMP SCREW, 2" hex-hd cap WASHER, lock (3) WASHER, flat (3) NUT
10	608 372 C91	TUBE, LH head (Bulldozer) (+) 2362 and below	18	608 360 C1 315 972 R1 24 841 R1 608 361 C1 24 843 R1 115 093 118 775 25 522 R1	BRACKET, RH lift tube SPACER (2) SCREW, 1-1/2" hex-hd cap (2) CLAMP SCREW, 2" hex-hd cap WASHER, lock (3) WASHER, flat (3) NUT
10	608 352 C91 140 483 H 115 093	TUBE, LH head (Bullgrader) (+) 2362 and below SCREW, hex-hd cap (4) WASHER, lock (4)	19	701 667 C1	TUBE, LH rod (Bulldozer) (+) 2362 and below
10	662 300 C91	TUBE, LH head (Bulldozer) (*) 2363 and up	19	623 160 C1 25 500 R1 115 093 368 269 R1 608 350 C1 608 351 C1 24 840 R1 574 018 R1	TUBE, LH rod (Bullgrader) (+) 2362 and below SCREW, 3-1/4" hex-hd cap (+) (2) WASHER, lock (+) (4) "O" RING CLAMP, inner tube CLAMP, outer tube SCREW, hex-hd cap (2) CONNECTOR (*)
10	632 333 C91 140 483 H 24 621 R1 115 093	TUBE, LH head (Bullgrader) (*) 2363 and up SCREW, 1-1/4" long hex-hd cap (2) SCREW, 2-1/4" long hex-hd cap (2) WASHER, lock (4)			
11	608 373 C91	TUBE, RH head (Bulldozer) (+) 2362 and below			
11	608 353 C91 140 483 H 115 093	TUBE, RH head (Bullgrader) (+) 2362 and below SCREW, hex-hd cap (4) WASHER, lock (4)			
11	662 301 C91	TUBE, RH head (Bulldozer) (*) 2363 and up			

(*) - Used with Lift Cylinder, 658 501 C91.
(+) - Used with Lift Cylinder, 704 018 C91.

HYDRAULICS

REF. NO.	PART NUMBER	DESCRIPTION	REF. NO.	PART NUMBER	DESCRIPTION
BLADE EQUIPMENT TUBING AND HOSES – Continued					
VALVE TO CYLINDERS					
(Manual Shift)					
19	662 298 C91	TUBE, LH rod (Bulldozer) (*) 2363 and up	29	333 506 R1 25 526 R1 275 635 R1 342 314 R1 116 121	CLAMP, tube NUT SCREW, hex-hd cap SPACER WASHER, lock
19	632 335 C91	TUBE, LH rod (Bullgrader) (*) 2363 and up			
20	701 668 C1	TUBE, RH rod (Bulldozer) (+) 2362 and below	30	9 410 207 296 247 R1	CONNECTOR, straight (2) "O" RING, .301 x .429 x .064" connector (2)
20	623 161 C1	TUBE, RH rod (Bullgrader) (+) 2362 and below			
	25 500 R1	SCREW, 3-1/4" hex-hd cap (+) (2)			
	115 093	WASHER, lock (+) (4)			
	368 269 R1	"O" RING			
	608 350 C1	CLAMP, inner tube			
	608 351 C1	CLAMP, outer tube			
	24 840 R1	SCREW, hex-hd cap (2)			
	574 018 R1	CONNECTOR (*)			
20	662 299 C91	TUBE, RH rod (Bulldozer) (*) 2363 and up			
20	632 336 C91	TUBE, RH (Bullgrader) (*) 2363 and up			
21	645 785 C1	TUBE			
	24 850 R1	SCREW, hex-hd cap (4)			
	115 314	WASHER, lock			
	343 909 R1	"O" RING, 1-1/2 x 1-3/4 x 1/8"			
22	645 784 C1	TUBE			
	24 850 R1	SCREW, hex-hd cap (4)			
	115 314	WASHER, lock (4)			
	343 909 R1	"O" RING, 1-1/2 x 1-3/4 x 1/8"			
23	645 793 C1	CLAMP, tube			
	25 526 R1	NUT			
	24 866 R1	SCREW, hex-hd cap			
24	877 949 C2	FLANGE HALF, split (8)			
	140 483 H	SCREW, hex-hd cap (16)			
	105 093	WASHER, lock (16)			
25	646 238 C1	HOSE w/FITTING (HOSE, 1"ID x 20" long including FITTINGS) (2)			
	343 906 R1	"O" RING, 1-5/16 x 1-9/16 x 1/8" (4)			
26	645 793 C1	CLAMP			
	645 794 C1	PLATE, spacer (2)			
	25 285 R1	SCREW, hex-hd cap			
	266 964 R1	SPACER			
	116 121	WASHER, lock			
27	645 786 C91	TUBE, inboard (At valve)			
28	645 787 C91	TUBE, outboard (At valve)			

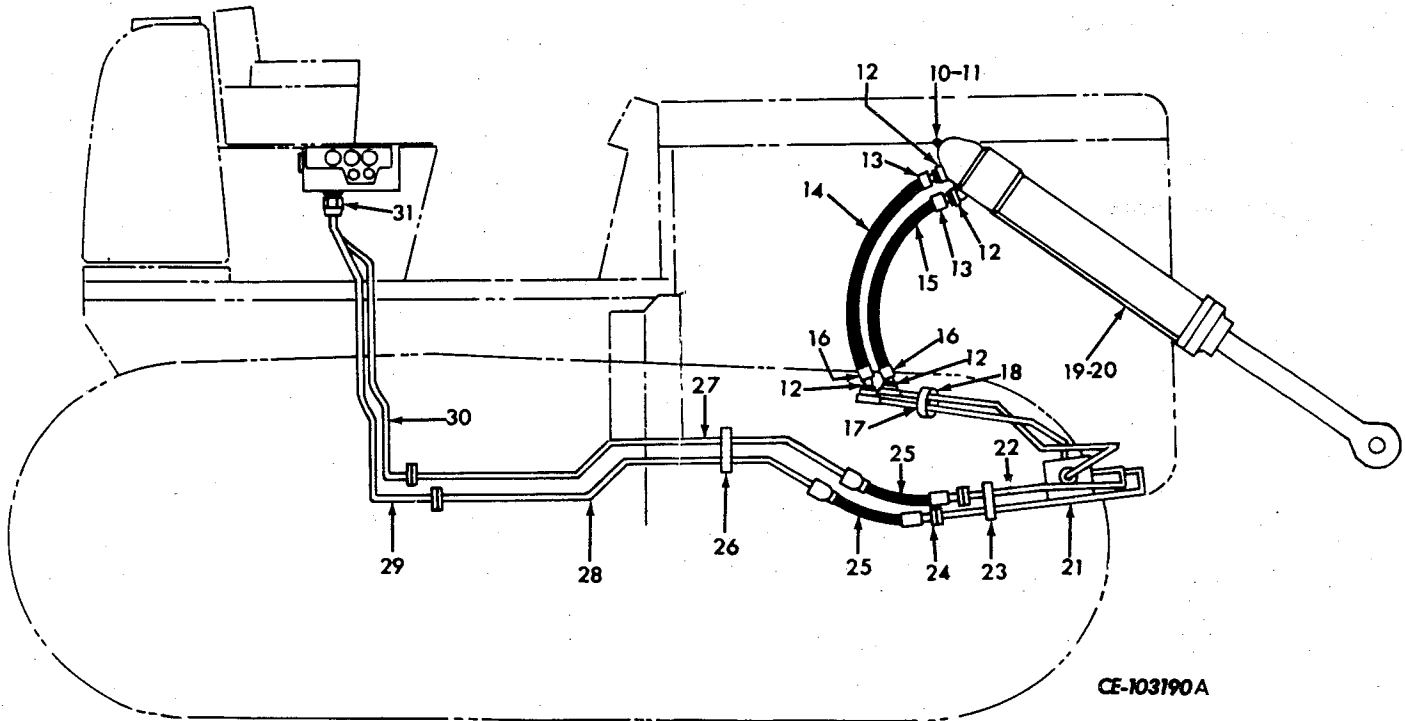
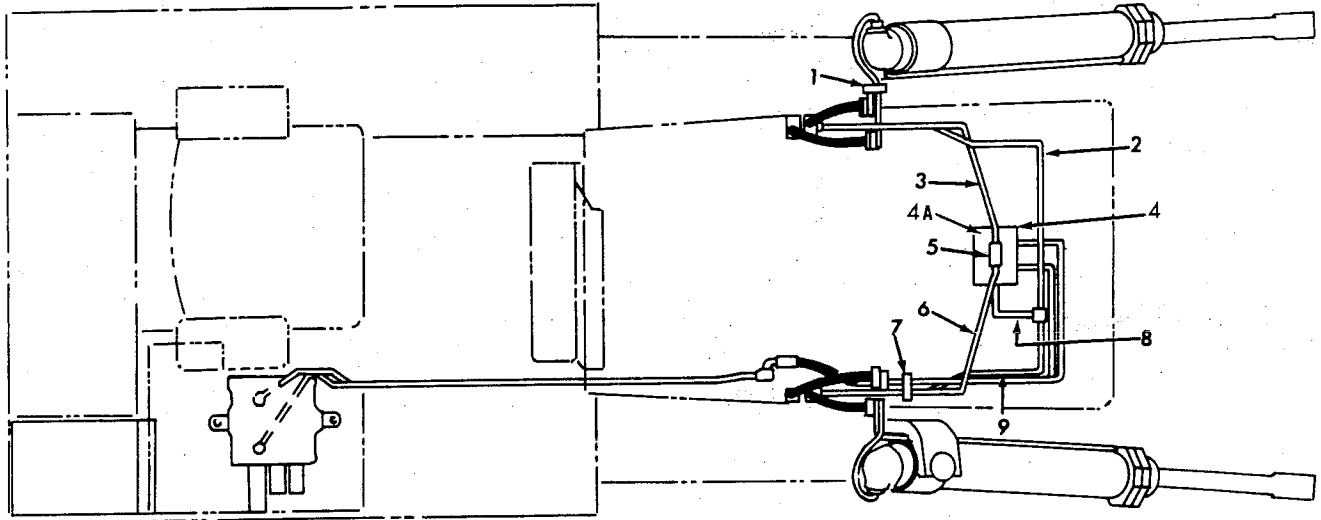
(*) - Used with Lift Cylinder, 658 501 C91.
 (+) - Used with Lift Cylinder, 704 018 C91.

HYDRAULICS

MEMORANDA

HYDRAULICS

BLADE EQUIPMENT TUBING AND HOSES –
VALVE TO CYLINDERS
(Power Shift) % and below
(Not For Low Ground Pressure)



CE-103190A

HYDRAULICS

REF. NO.	PART NUMBER	DESCRIPTION	REF. NO.	PART NUMBER	DESCRIPTION
BLADE EQUIPMENT TUBING AND HOSES – Continued					
VALVE TO CYLINDERS					
(Power Shift) % and below					
(Not For Low Ground Pressure)					
1	608 354 C1 24 840 R1 115 093 25 522 R1	CLAMP, tube (4) SCREW, hex-hd cap (2) WASHER, lock (2) NUT (2)	11	662 301 C91	TUBE, RH head (Bulldozer) (*) 2363 to %
2	645 788 C1 140 483 H 115 093 343 906 R1	TUBE, LH rod SCREW, hex-hd cap (4) WASHER, lock (4) "O" RING, 1-3/16 x 1-9/16 x 1/8" (2)	11	632 334 C91 140 483 H 24 621 R1 115 093	TUBE, RH head (Bullgrader) (*) 2363 to % SCREW, 1-1/4" long hex-hd cap (2) SCREW, 2-1/4" long hex-hd cap (2) WASHER, lock (4)
3	645 790 C1	TUBE, LH head	12	283 172 R1 140 483 H 115 093 343 906 R1	FLANGE, half, split (16) SCREW, hex-hd cap (32) WASHER, lock (32) "O" RING, 1-5/16 x 1-9/16 x 1/8"
4		VALVE ASSY., quick drop (Refer to "Blade Equipment Quick Drop Valve")	13		FITTING, hose (Not furnished separately) (4)
4A	9 410 363 296 247 R1	PLUG "O" RING (.301 x .429 x .064")		380 794 R1	"O" RING, 1 x 1-1/4 x 1/8" (4)
5	9 411 122 296 247 R1	TEE "O" RING (.301 x .429 x .064")	14	619 624 C1	HOSE w/FITTING, long (HOSE, 3/4" ID x 30-1/2" long including FITTINGS) (2)
6	645 791 C1	TUBE, RH head	15	619 622 C1	HOSE w/FITTING, short (HOSE, 3/4" ID x 25" long including FITTINGS) (2)
7	646 015 C1 24 860 R1 116 121 118 777	ANGLE, tube mounting SCREW, hex-hd cap WASHER, lock WASHER, flat	16		FITTING, hose (Not furnished separately) (4)
8	645 783 C1 24 862 R1 116 121 343 921 R1	TUBE, tee SCREW, hex-hd cap (4) WASHER, lock (4) "O" RING, 1-7/8 x 2-1/8 x 1/8"		380 794 R1	"O" RING, 1 x 1-1/4 x 1/8" (4)
9	645 789 C1 140 483 H 115 093	TUBE, RH rod SCREW, hex-hd cap (4) WASHER, lock (4)	17	608 359 C1 315 972 R1 24 841 R1 608 361 C1 24 843 R1 115 093 118 775 25 522 R1	BRACKET, LH lift tube SPACER SCREW, 1-1/2" hex-hd cap (2) CLAMP SCREW, 2" hex-hd cap WASHER, lock (3) WASHER, flat (3) NUT
10	608 372 C91	TUBE, LH head (Bulldozer) (+) 2362 and below	18	608 360 C1 315 972 R1 24 841 R1 608 361 C1 24 843 R1 115 093 118 775 25 522 R1	BRACKET, RH lift tube SPACER (2) SCREW, 1-1/2" hex-hd cap (2) CLAMP SCREW, 2" hex-hd cap WASHER, lock (3) WASHER, flat (3) NUT
10	608 352 C91 140 483 H 115 093	TUBE, LH head (Bullgrader) (+) 2362 and below SCREW, hex-hd cap (4) WASHER, lock (4)	19	701 667 C1	TUBE, LH rod (Bulldozer) (+) 2362 and below
10	662 300 C91	TUBE, LH head (Bulldozer) (*) 2363 to %			
10	632 333 C91 140 483 H 24 621 R1 115 093	TUBE, LH head (Bullgrader) (*) 2363 to % SCREW, 1-1/4" long hex-hd cap (2) SCREW, 2-1/4" long hex-hd cap (2) WASHER, lock (4)			
11	608 373 C91	TUBE, RH head (Bulldozer) (+) 2362 and below			
11	608 353 C91 140 483 H 115 093 343 906 R1	TUBE, RH head (Bullgrader) (+) 2362 and below SCREW, hex-hd cap (4) WASHER, lock (4) "O" RING, 1-5/16 x 1-9/16 x 1/8"			

% - Unavailable Serial Number.

(*) - Used with Lift Cylinder, 658 501 C91.

(+) - Used with Lift Cylinder, 704 018 C91.

HYDRAULICS

REF. NO.	PART NUMBER	DESCRIPTION	REF. NO.	PART NUMBER	DESCRIPTION
BLADE EQUIPMENT TUBING AND HOSES – Continued					
VALVE TO CYLINDERS					
(Power Shift) % and below					
(Not For Low Ground Pressure)					
19	623 160 C1	TUBE, LH rod (Bullgrader) (+) 2362 and below	27	645 795 C1	TUBE, top
	25 500 R1	SCREW, 3-1/4" hex-hd cap (+) (2)		140 483 H	SCREW, hex-hd cap (4)
	115 093	WASHER, lock (+) (4)		115 093	WASHER, lock (4)
	343 905 R1	"O" RING, 1-1/8 x 1-3/8 x 1/8"		343 906 R1	"O" RING, 1-5/16 x 1-9/16 x 1/8"
	608 350 C1	CLAMP, inner tube	28	645 796 C1	TUBE, bottom
	608 351 C1	CLAMP, outer tube		140 483 H	SCREW, hex-hd cap (4)
	24 840 R1	SCREW, 1" hex-hd cap (2)		115 093	WASHER, lock (4)
				343 906 R1	"O" RING, 1-5/16 x 1-9/16 x 1/8"
19	662 298 C91	TUBE, LH rod (Bulldozer) (*) 2363 to %	29	611 676 C91	TUBE, inboard (At valve)
19	632 335 C91	TUBE, LH rod (Bullgrader) (*) 2363 to %	30	611 677 C91	TUBE, outboard (At valve)
20	701 668 C1	TUBE, RH rod (Bulldozer) (+) 2362 and below	31	9 410 207	CONNECTOR, straight (2)
20	623 161 C1	TUBE, RH rod (Bullgrader) (+) 2362 and below		296 247 R1	"O" RING (.301 x .429 x .064" connector (2)
	25 500 R1	SCREW, 3-1/4" hex-hd cap (+) (2)			
	115 093	WASHER, lock (+) (4)			
	343 905 R1	"O" RING, 1-1/8 x 1-3/8 x 1/8"			
	608 350 C1	CLAMP, inner tube			
	608 351 C1	CLAMP, outer tube			
	24 840 R1	SCREW, 1" hex-hd cap (2)			
20	662 299 C91	TUBE, RH rod (Bulldozer) (*) 2363 to %			
20	632 336 C91	TUBE, RH rod (Bullgrader) (*) 2363 to %			
21	645 785 C1	TUBE			
	24 850 R1	SCREW, hex-hd cap (4)			
	115 314	WASHER, lock			
	343 909 R1	"O" RING, 1-1/2 x 1-3/4 x 1/8"			
22	645 784 C1	TUBE			
	24 850 R1	SCREW, hex-hd cap (4)			
	115 314	WASHER, lock (4)			
	343 909 R1	"O" RING, 1-1/2 x 1-3/4 x 1/8"			
23	645 793 C1	CLAMP, tube			
	25 526 R1	NUT			
	24 866 R1	SCREW, hex-hd cap			
24	877 949 C2	FLANGE HALF, split (8)			
	140 483 H	SCREW, hex-hd cap (16)			
	105 093	WASHER, lock (16)			
25	646 238 C1	HOSE w/FITTING (HOSE, 1" ID x 20" long including FITTINGS) (2)			
	343 906 R1	"O" RING, 1-5/16 x 1-9/16 x 1/8" (4)			
26	605 609 C1	CLAMP, tube (2)			
	266 964 R1	SPACER (2)			
	24 843 R1	SCREW, hex-hd cap (2)			
	115 093	WASHER, lock (2)			

% - Unavailable Serial Number

(*) - Used with Lift Cylinder, 658 501 C91.

(+) - Used with Lift Cylinder, 704 018 C91.

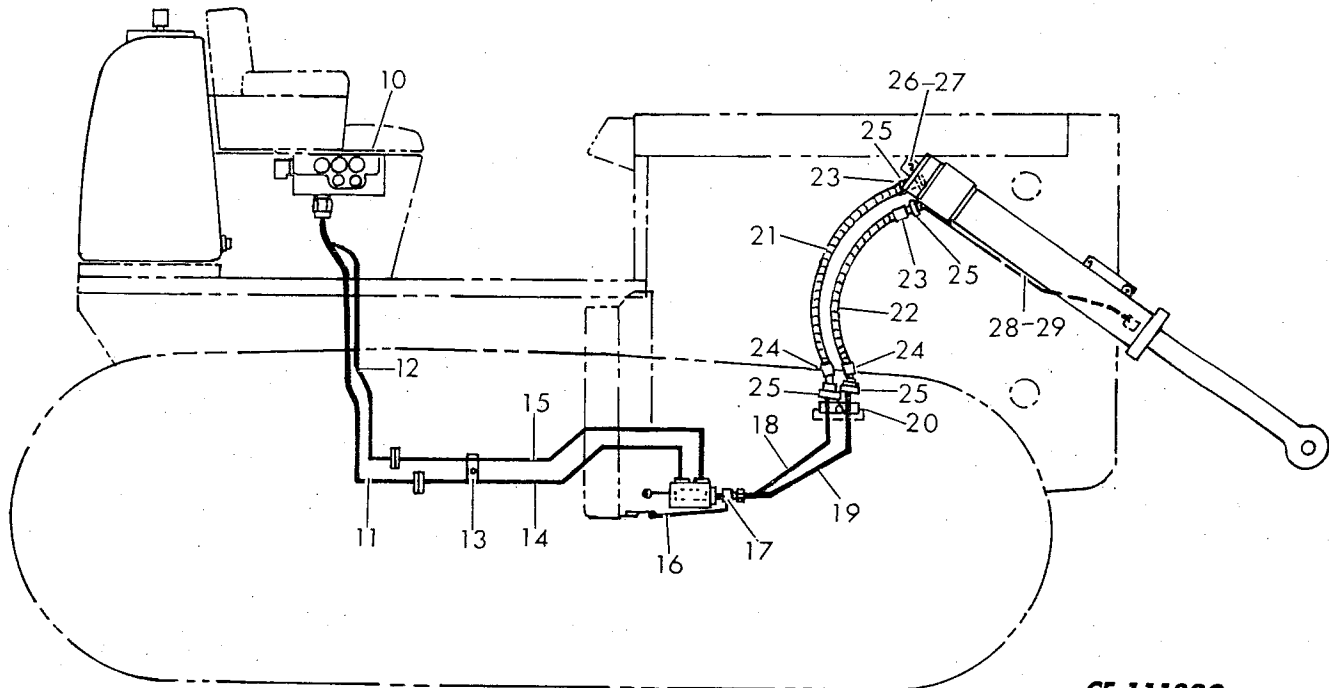
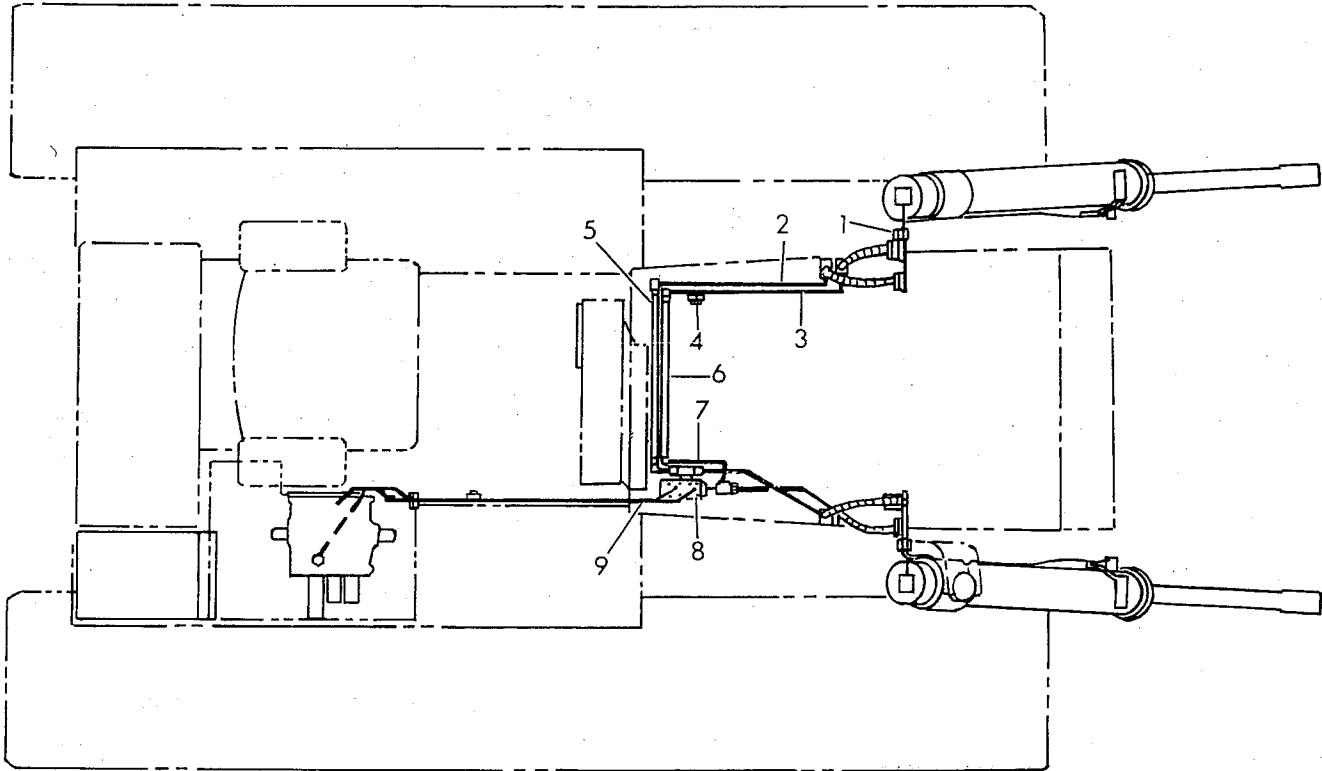
HYDRAULICS

MEMORANDA

HYDRAULICS

REF. NO.	PART NUMBER	DESCRIPTION	REF. NO.	PART NUMBER	DESCRIPTION
----------	-------------	-------------	----------	-------------	-------------

**BLADE EQUIPMENT TUBING AND HOSES –
VALVE TO CYLINDERS**
(Power Shift) % and Up
(Not For Low Ground Pressure)



CE-111332

HYDRAULICS

REF. NO.	PART NUMBER	DESCRIPTION	REF. NO.	PART NUMBER	DESCRIPTION
BLADE EQUIPMENT TUBING AND HOSES -- Continued					
VALVE TO CYLINDERS					
(Power Shift) % and Up					
(Not For Low Ground Pressure)					
1	608 354 C1 24 840 R1 115 093 25 522 R1	CLAMP, tube (4) SCREW, hex-hd cap (2) WASHER, lock (2) NUT (2)	16	705 627 C1 24 840 R1 118 775 25 522 R1	TUBE, rod crossover SCREW, hex-hd cap WASHER, flat NUT
2	705 625 C1	GUBE, head end LH	17	705 622 C1 24 862 R1	TUBE, quick drop valve SCREW, hex-hd cap (4)
3	705 626 C1	TUBE, rod end LH		116 121 343 921 R1	WASHER, lock (4) "O" RING
4	605 609 C1 24 842 R1	CLAMP, tube SCREW, hex-hd cap	18	705 628 C1	TUBE, head end- RH
5	705 683 C1	HOSE, head crossover	19	705 629 C1	TUBE, rod end - RH
6	705 682 C1	HOSE, rod crossover	20	605 605 C2 705 638 C1 24 621 R1 25 522 R1 118 775	CLAMP, tube (2) SPACER, tube (2) SCREW, hex-hd cap (2) NUT (2) WASHER, flat (4)
7	9 411 122 296 247 R1	TEE "O" RING (.301 x .429 x .064")	21	619 624 C1	HOSE, w/FITTING, long (HOSE, 3/4" ID x 30-1/2" long including FITTINGS) (2)
8		VALVE ASSY., quick drop (Refer to "Blade Equipment Quick Drop Valve")	22	619 622 C1	HOSE, w/FITTING, short (HOSE, 3/4" ID x 25" long including FITTINGS) (2)
9	9 410 363 296 247 R1	PLUG "O" RING, (.301 x .429 x .064")	23		FITTING, hose (Not furnished separately) (2) "O" RING, (1 x 1-1/4 x 1/8")(4)
10	9 410 207 R1 296 247 R1	CONNECTOR, straight (2) "O" RING (.031 x .429 x .064")	24		FITTING, hose (Not furnished separately) (2) "O" RING, (1 x 1-1/4 x 1/8")(4)
11	611 676 C91	TUBE-INBOARD (At Valve)	25	283 172 R1 140 483 H 115 093 343 906	FLANGE, half, split (16) SCREW, hex-hd cap (32) WASHER, lock (32) "O" RING, (1-5/16 x 1-9/16 x 1/8") (2)
12	611 677 C91	TUBE-OUTBOARD (At Valve)	26	632 333 C91	TUBE, LH Head (Bullgrader)
13	605 609 C1 266 964 R1 24 843 R1 115 093	CLAMP, tube SPACER SCREW, hex-hd cap WASHER, lock	26	662 300 C91 140 483 H	TUBE, LH head (Bulldozer) SCREW, 1-1/4" long hex-hd cap (2)
14	705 624 C1 140 483 H 24 850 R1 115 093 115 314 343 906 343 909	TUBE-LOWER SCREW, 3/8" dia. hex-hd cap (4) SCREW, 7/16" dia. hex-hd cap (4) WASHER, 3/8" lock (4) WASHER, 7/16" lock (4) "O" RING, (1-5/16 x 1-9/16 x 1/8") "O" RING, (1-1/2 x 1-3/4 x 1/8")	27	115 093 24 861 R1	WASHER, lock (4) SCREW, 2-1/4" long hex-hd cap (2)
15	705 623 C1 140 483 H 24 850 R1 115 093 115 314 343 906 343 909	TUBE-RAISE SCREW, 3/8" dia. hex-hd cap (4) SCREW, 7/16" dia. hex hd cap (4) WASHER, 3/8" lock (4) WASHER, 7/16" lock (4) "O" RING, (1-5/16 x 1-9/16 x 1/8") "O" RING, (1-1/2 x 1-3/4 x 1/8")	27	632 334 C91	TUBE, RH head (Bullgrader)
			27	662 301 C91 140 483 H 115 093 24 621 R1	TUBE, RH head (Bulldozer) SCREW, 1-1/4" long hex-hd cap (2) WASHER, lock (4) SCREW, 2-1/4" long hex-hd cap (2)

% - Unavailable Serial Number

HYDRAULICS

REF. NO.	PART NUMBER	DESCRIPTION	REF. NO.	PART NUMBER	DESCRIPTION
BLADE EQUIPMENT TUBING AND HOSES – Continued VALVE TO CYLINDERS (Power Shift) % and Up (Not For Low Ground Pressure)					
28	632 335 C91	TUBE, LH rod (Bullgrader)			
28	662 298 C91	TUBE, LH rod (Bulldozer)			
	140 483 H	SCREW, 1-1/4" long hex-hd cap (2)			
	24 621 R1	SCREW, 2-1/4" long hex-hd cap (2)			
	115 093	WASHER, lock (4)			
	343 905 R1	"O" RING, (1-1/8 x 1-3/8 x 1/8")			
29	632 336 C91	TUBE, RH rod (Bullgrader)			
29	662 299 C91	TUBE, RH rod (Bulldozer)			
	140 483 H	SCREW, 1-1/4" long hex-hd cap (2)			
	24 621 R1	SCREW, 2-1/4" long hex-hd cap (2)			
	115 093	WASHER, lock (4)			
	343 905 R1	"O" RING, (1-1/8 x 1-3/8 x 1/8")			
	608 350 C1	CLAMP, rod inner tube (2)			
	608 351 C1	CLAMP, rod outer tube (2)			
	24 840 R1	SCREW, hex-hd cap (4)			
	115 093	WASHER, lock (4)			

% - Unavailable Serial Number.

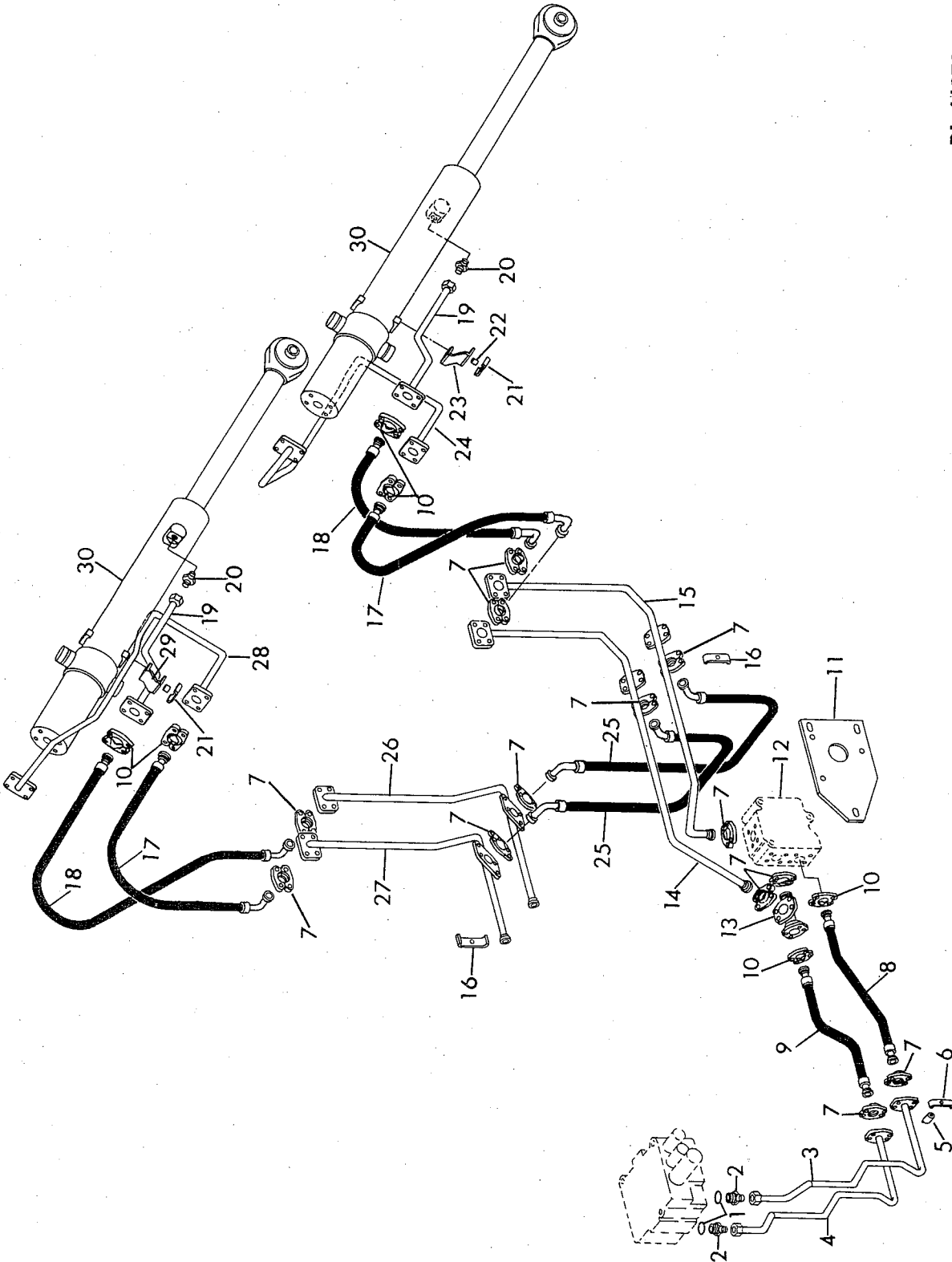
HYDRAULICS

MEMORANDA

HYDRAULICS

REF. NO.	PART NUMBER	DESCRIPTION	REF. NO.	PART NUMBER	DESCRIPTION
----------	-------------	-------------	----------	-------------	-------------

**BLADE EQUIPMENT TUBING AND HOSES
VALVE TO CYLINDER
(For Low Ground Pressure)**



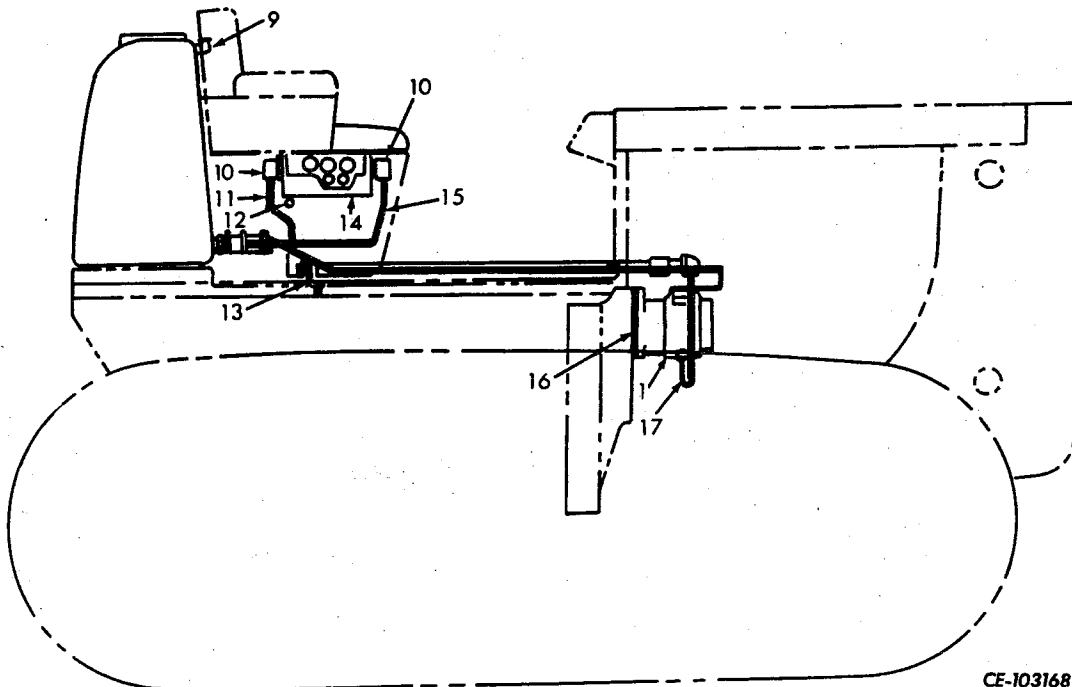
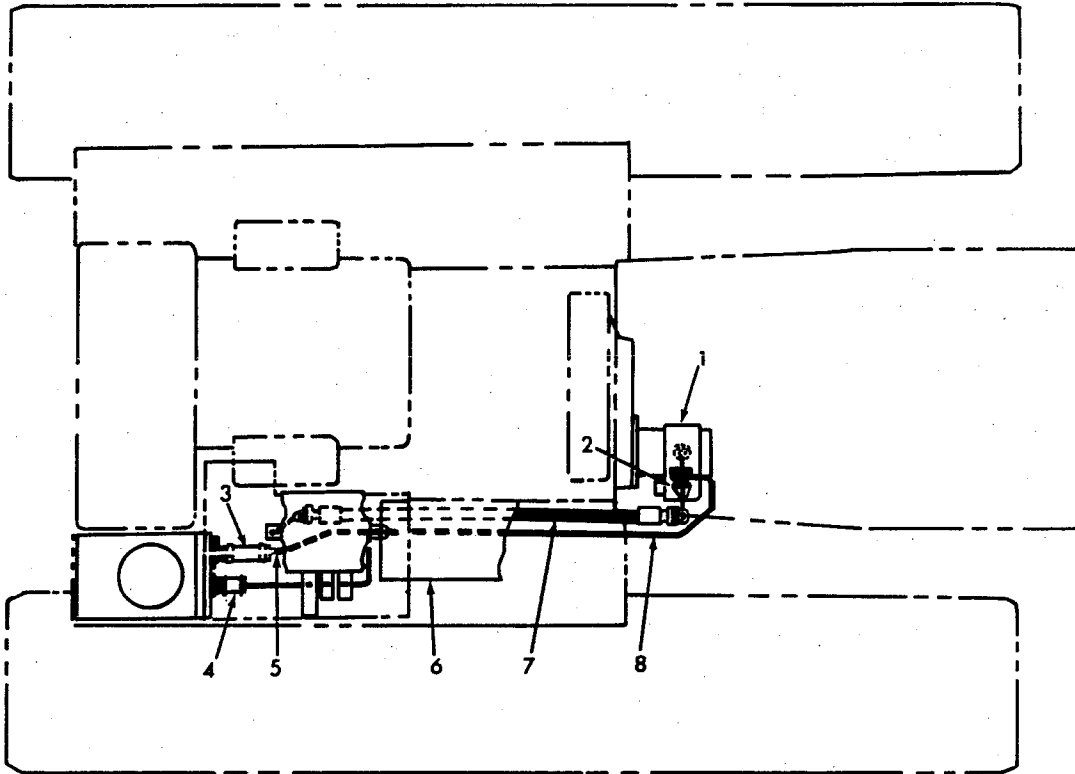
PL-118703

HYDRAULICS

REF. NO.	PART NUMBER	DESCRIPTION	REF. NO.	PART NUMBER	DESCRIPTION
BLADE EQUIPMENT TUBING AND HOSES VALVE TO CYLINDER — Continued (For Low Ground Pressure)			17	711 697 C1	HOSE w/FITTINGS (1" ID x 40" long including FITTINGS)head end to cylinder (2)
				343 909 R1	RING, sealing (2)
1	296 247 R1	RING, seal (2)	18	711 696 C1	HOSE w/FITTINGS (1" ID x 38" long including FITTINGS)rod end to cylinder (2)
2	9 410 207	ADAPTER, fitting (2)		343 909 R1	RING, sealing (2)
3	611 676 C91	TUBE, rod end at control valve	19	711 711 C1	TUBE, cylinder rod end (2)
4	611 677 C91	TUBE, head end at control valve	20	574 018 R1	CONNECTOR, reducer (2)
5	266 964 R1	SPACER		368 269 R1	RING, sealing (2)
6	618 094 C1	CLAMP	21	605 605 C2	CLAMP (2)
	24 621 R1	BOLT		25 235 R1	BOLT (2)
	25 544 R1	WASHER		25 522 R1	NUT (2)
7	290 045 R1	FLANGE, half split (26)		25 544 R1	WASHER (2)
	24 850 R1	BOLT, 1-1/2" long (36)	22	266 964 R1	SPACER (2)
	24 853 R1	BOLT, 2-1/2" long (8)		25 534 R1	WASHER (2)
	24 855 R1	BOLT, 3" long (8)	23	711 715 C1	BRACKET, RH cylinder tube support
	25 524 R1	NUT (16)		24 840 R1	BOLT (2)
8	711 698 C1	HOSE w/FITTINGS (1" ID x 35" long including FITTINGS)rod end at quick drop valve		25 544 R1	WASHER (2)
	343 906 R1	RING, sealing	24	711 713 C1	TUBE, RH cylinder head end
9	738 515 C1	HOSE w/FITTINGS (1" ID x 32-1/2" long including FITTINGS) head end at quick drop valve		140 483 H	BOLT, 1-1/4" long (2)
				24 621 R1	BOLT, 2-1/4" long (2)
				343 906 R1	RING, sealing
10	877 949 C2	FLANGE, half split (12)	25	711 708 C1	HOSE w/FITTINGS (1" ID x 44" long including FITTINGS)crossover
	140 483 H	BOLT (24)		343 909 R1	RING, sealing (4)
	343 909 R1	RING, sealing	26	711 709 C1	TUBE, LH rod end from crossover
11	711 701 C1	PLATE, valve mounting		343 909 R1	RING, sealing
	24 861 R1	BOLT (3)	27	711 710 C1	TUBE, LH head end from crossover
	25 546 R1	WASHER, hardened (3)		343 909 R1	RING, sealing
12		VALVE ASSY., quick drop (Refer to "Blade Equipment Quick Drop Valve")	28	711 712 C1	TUBE, LH cylinder head end
				140 483 H	BOLT, 1-1/4" long (2)
				24 621 R1	BOLT, 2-1/4" long (2)
				343 906 R1	RING, sealing
13	711 704 C1	TEE, quick drop valve	29	711 714 C1	BRACKET, LH cylinder tube support
	343 909 R1	RING, sealing		24 840 R1	BOLT (2)
14	711 706 C1	TUBE, RH head end from quick drop valve		25 544 R1	WASHER (2)
	343 909 R1	RING, sealing (2)	30		CYLINDER ASSY., hydraulic lift (Refer to "Blade Lift Cylinder") (2)
15	711 705 C1	TUBE, RH rod end from quick drop valve			
	343 909 R1	RING, sealing (2)			
16	711 707 C1	CLAMP, tube (2)			
	24 860 R1	BOLT (2)			
	25 536 R1	WASHER (2)			

HYDRAULICS

BLADE EQUIPMENT TUBING AND HOSES —
VALVE TO PUMP AND RESERVOIR
(For Manual Shift)



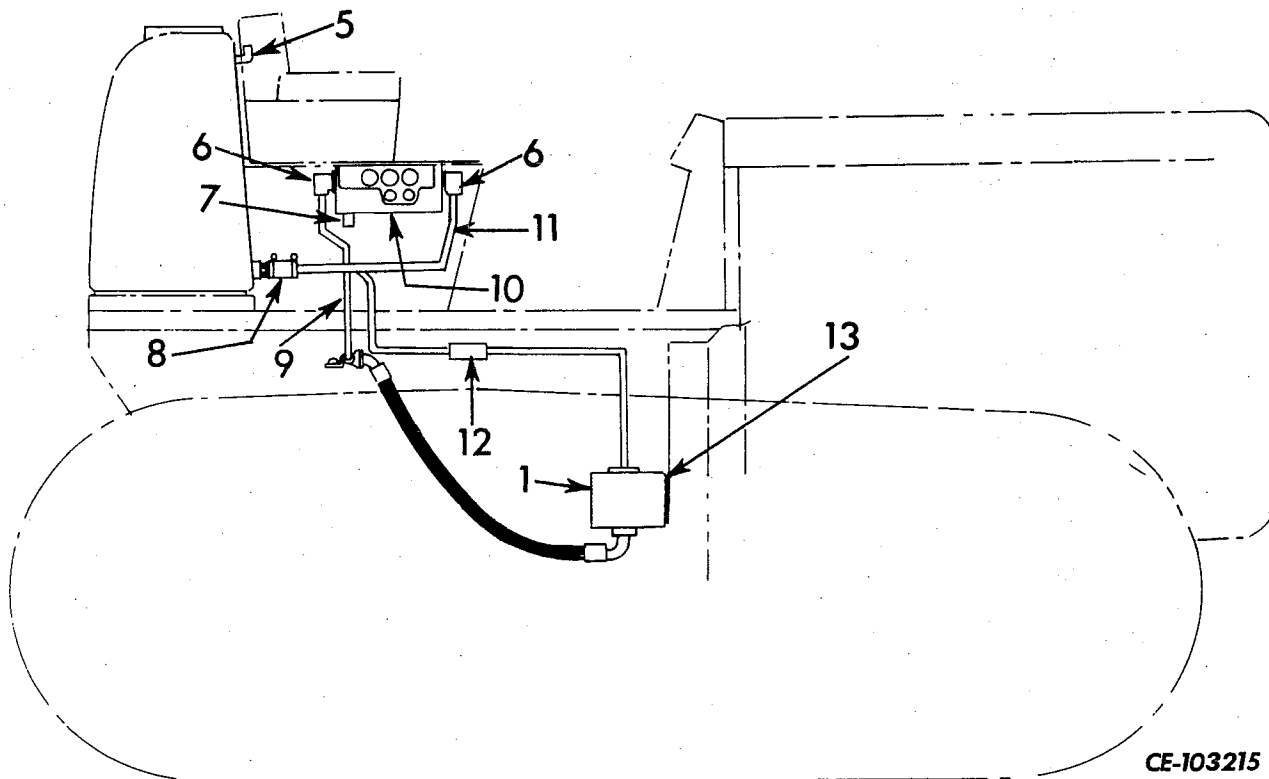
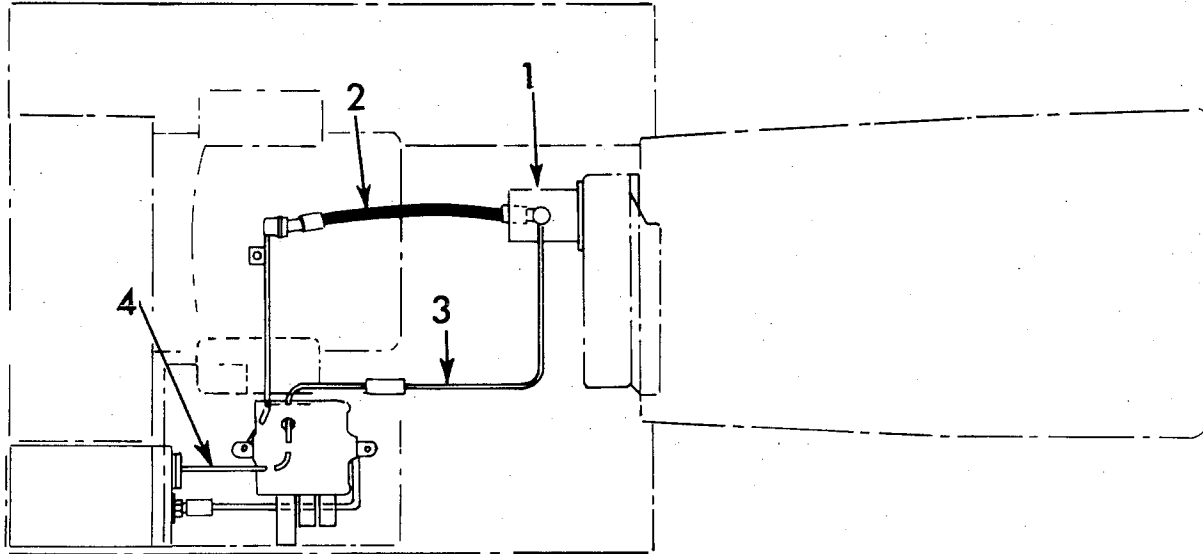
CE-103168

HYDRAULICS

REF. NO.	PART NUMBER	DESCRIPTION	REF. NO.	PART NUMBER	DESCRIPTION
BLADE EQUIPMENT TUBING AND HOSES – Continued					
VALVE TO PUMP AND RESERVOIR					
(For Manual Shift)					
1		PUMP ASSY., (For components, see list of parts under details of "Hydraulic Pump")	13	646 246 C1 24 840 R1 115 093 103 341 25 522 R1	BRACKET, angle SCREW, hex-hd cap WASHER, lock WASHER, flat NUT
2	646 252 C1	BRACKET, pump pressure hose mounting	14		VALVE ASSY. (Refer to "Hydraulic Valve")
	24 861 R1	SCREW, 1/2 x 1-1/4" hex-hd cap	15	646 406 C1	TUBE, return (For models equipped with triple spool valve)
	24 864 R1	SCREW, 1/2 x 2" hex-hd cap	15	646 407 C2	TUBE, return (For models equipped with single spool valve)
	25 285 R1	SCREW, 1/2 x 3-1/4" hex-hd cap	16	25 465 R1	"O" RING, pump mounting (4 x 4-1/4 x 1/8")
	116 121	WASHER, lock	17	645 761 C1 343 909 R1 290 045 R1 24 850 R1 115 314	TUBE, pressure (At pump) "O" RING (1-1/2 x 1-3/4 x 1/8") CLAMP-HALF, split flange (2) SCREW, hex-hd cap (4) WASHER, lock (4)
	103 343	WASHER, flat			
3	618 081 C1	HOSE, tank suction			
	22 021 R1	CLAMP, hose (2)			
4	614 138 C2	HOSE, tank return			
	307 915 R1	"O" RING (1.475 x 1.711 x .118")			
	690 062 C1	CLAMP, hose (2)			
	325 327 R91	CONNECTOR, stem			
5	646 244 C1	TUBE, tank suction			
	293 726 R1	"O" RING (2-1/4 x 2-1/2 x 1/8")			
	300 525 R1	CLAMP-HALF, split flange (2)			
	24 862 R1	SCREW, hex-hd cap (4)			
	116 121	WASHER, lock (4)			
6	342 310 R31	COVER, tubes			
	24 840 R1	SCREW, hex-hd cap (3)			
	115 093	WASHER, lock (3)			
	25 522 R1	NUT (3)			
7	646 243 C1	HOSE w/two FITTINGS, pressure (HOSE, 1" ID x 43" long including FITTINGS)			
	343 906 R1	"O" RING (1-5/16 x 1-9/16 x 1/8" (2)			
	877 949 C2	CLAMP-HALF, split flange (4)			
	140 483 H	SCREW, hex-hd cap (8)			
	115 093	WASHER, lock (8)			
8	645 762 C2	TUBE, suction			
	343 921 R1	"O" RING (1-7/8 x 2-1/8 x 1/8")			
	24 862 R1	SCREW, 1/2 x 1-1/2" hex-hd cap			
	25 281 R1	SCREW, 1/2 x 2-3/4" hex-hd cap			
	116 121	WASHER, lock (2)			
9		ELBOW, pressure vacuum relief valve (Refer to "Reservoir and Filters")			
10	9 410 982	CONNECTOR (2)			
	307 915 R1	"O" RING (1.475 x 1.711 x .118") (2)			
11	646 245 C1	TUBE, pressure (At valve)			
12	105 422	ELBOW			
	105 404	NIPPLE, pipe			
	715 370 C1	PLUG, quick disconnect			
	738 030 C1	COVER, quick disconnective			
	OR				
	715 477 C1	COVER, quick disconnective			

HYDRAULICS

BLADE EQUIPMENT TUBING AND HOSES –
VALVE TO PUMP AND RESERVOIR
(For Power Shift)



CE-103215

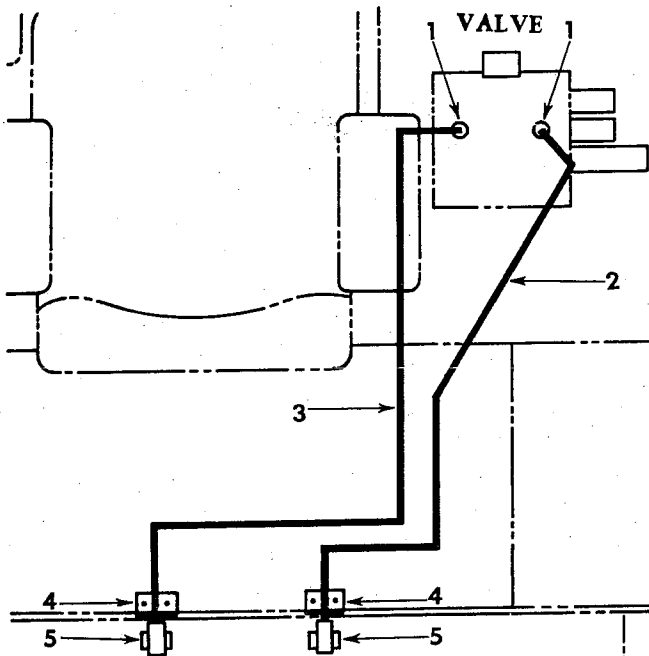
HYDRAULICS

REF. NO.	PART NUMBER	DESCRIPTION	REF. NO.	PART NUMBER	DESCRIPTION
BLADE EQUIPMENT TUBING AND HOSES – Continued					
VALVE TO PUMP AND RESERVOIR					
(For Power Shift)					
1		PUMP ASSY. (Refer to "Hydraulic Pump")	12	618 081 C1 22 021 R1	HOSE, tank suction CLAMP, hose (2)
2	666 102 C1	HOSE w/FITTING, pump pressure (HOSE, 1" ID x 31" long including FITTINGS)	13	343 927 R1	"O" RING, pump mounting (5 x 5-1/4 x 1/8")
	343 906 R1	RING, sealing			
	343 909 R1	"O" RING, 1-1/2 x 1-3/4 x 1/8"			
	290 045 R1	CLAMP-HALF, split flange (2)			
	24 850 R1	SCREW, hex-hd cap (4)			
	115 314	WASHER, lock (4)			
	877 949 C2	CLAMP-HALF, split flange (2)			
	115 093	WASHER, lock (4)			
	140 483 H	SCREW, hex-hd cap (4)			
3	646 241 C1	TUBE, suction (At pump)			
	343 921 R1	"O" RING (1-7/8 x 2-1/8 x 1/8")			
	301 844 R1	CLAMP-HALF, split flange (2)			
	24 862 R1	SCREW, hex-hd cap (4)			
	116 121	WASHER, lock (4)			
4	646 240 C1	TUBE, suction (At tank)			
	293 726 R1	"O" RING (2-1/4 x 2-1/2 x 1/8")			
	300 525 R1	CLAMP-HALF, split flange (2)			
	24 862 R1	SCREW, hex-hd cap (4)			
	116 121	WASHER, lock (4)			
5		ELBOW, pressure vacuum relief valve (Listed and illustrated w/"Reservoir and Filters")			
6	9 410 982	CONNECTOR (2)			
	307 915 R1	"O" RING (1.475 x 1.711 x .118") (2)			
7	105 422	ELBOW, 90°			
	105 404	NIPPLE, pipe			
	715 370 C1	PLUG, quick disconnect			
	715 477 C1	COVER, plug protective			
8	614 138 C2	HOSE, tank return			
	307 915 R1	"O" RING (1.475 x 1.711 x .118")			
	327 080 R91	CLAMP, hose (2)			
	325 327 R91	CONNECTOR, stem			
9	646 239 C2	TUBE, pressure (At valve) (Together with CLAMP, 308 882 R1, SCREW, 24 879 R1, SPACER, 521 426 R1 and WASHER, 25 537 R1, will work for TUBE, 646 239 C1)			
	308 882 R1	CLAMP, tube			
	24 879 R1	SCREW, hex-hd cap			
	521 426 R1	SPACER			
	25 537 R1	WASHER, flat			
10		VALVE ASSY. (Refer to "Hydraulic Valve")			
11	646 406 C1	TUBE, return (For models equipped with triple spool valve)			
11	646 407 C2	TUBE, return (For models equipped with single spool valve)			

HYDRAULICS

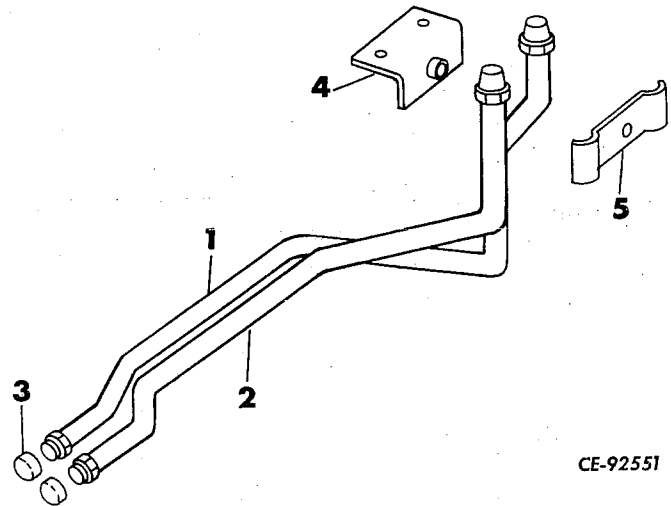
REF. NO.	PART NUMBER	DESCRIPTION
----------	-------------	-------------

REAR EQUIPMENT TUBING AND HOSES (Not For Low Ground Pressure)



REF. NO.	PART NUMBER	DESCRIPTION
----------	-------------	-------------

REAR HYDRAULIC PLUMBING ATTACHMENT (Single Spool) (For Manual Shift and Power Shift)



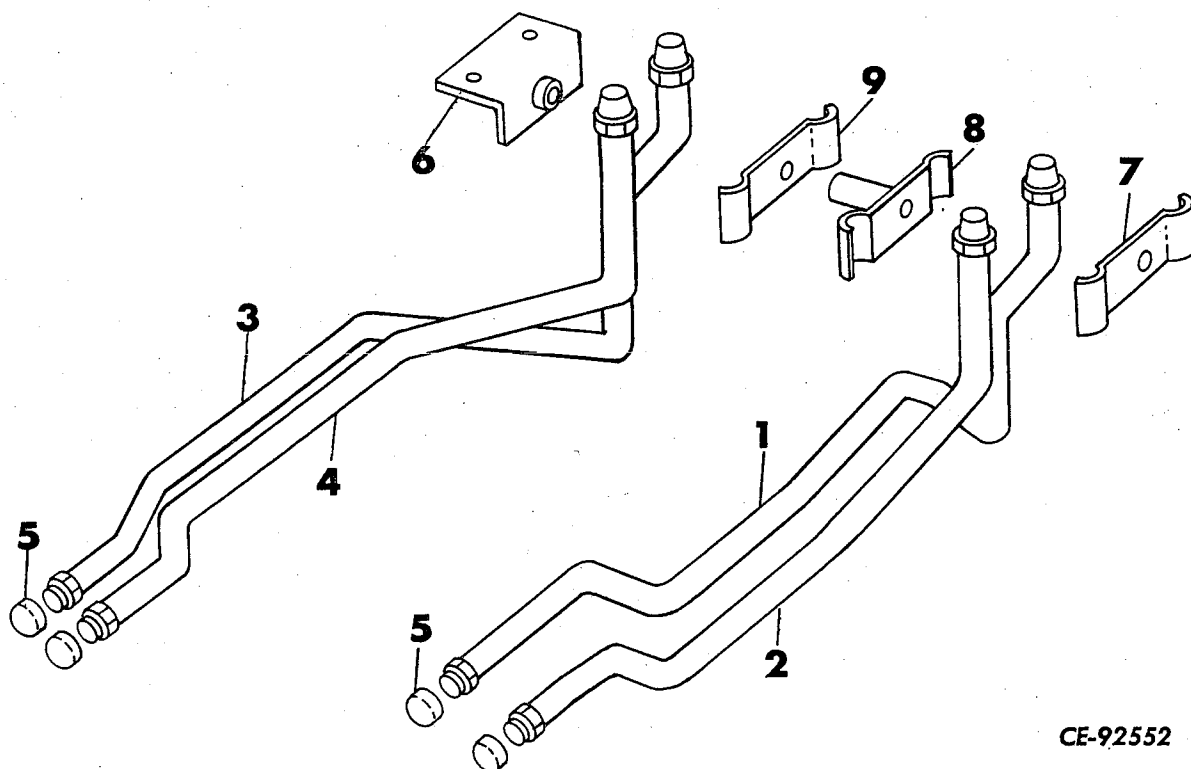
A		SERVICE PARTS (For use with Bulldozer with Ripper with or without Tilt or Bullgrader with Ripper)			614 253 C91 ATTACHMENT, rear hydraulic plumbing (Applicable to Bulldozer and Bullgrader if no blade is used) (See NOTE 4) (Consists of -
B		SERVICE Parts (For use on machines not equipped with Ripper)			
1	9 410 207 296 247 R1	CONNECTOR, tube (2) "O" RING (1.475 x 1.171 x .118") (2)	1	614 236 C1	TUBE, inboard
2	602 834 C91	TUBE, head end	2	614 237 C1	TUBE, outboard
3	602 833 C92	TUBE, rod end	3	119 102	CAP, pipe (2)
4	602 832 C1 602 449 C1 25 522 R1 24 840 R1 115 093	BRACKET, tube support (2) CLAMP, tube support (2) NUT (8) SCREW, hex-hd cap (8) WASHER, lock (8)	4	614 238 C91 140 483 H 115 093 25 522 R1 67 498 D	BRACKET SCREW, hex-hd cap (2) WASHER, lock (2) NUT (2) SPACER (2)
5	877 949 C2 343 906 R1 140 483 H 115 093 602 249 C1 24 840 R1 115 093 25 522 R1 603 517 C1	CLAMP-HALF, split flange (4) "O" RING (1-5/16 x 1-9/16 x 1/8") (2) SCREW, hex-hd cap (8) WASHER, lock (8) GUSSET (2) (B) BOLT (8) WASHER, lock (8) NUT (8) PLUG, flange (Used for shipping purposes only) (2)	5	614 242 C1 24 861 R1 116 121 IZG-8218	CLAMP, tube SCREW, hex-hd cap WASHER, lock DRAWING, rear hydraulic plumbing installation DRAWING, rear cover sheet rework

NOTE 4: Attachment no longer available. Service Parts will be furnished as ordered.

HYDRAULICS

REF. NO.	PART NUMBER	DESCRIPTION	REF. NO.	PART NUMBER	DESCRIPTION
----------	-------------	-------------	----------	-------------	-------------

REAR HYDRAULIC PLUMBING ATTACHMENT
 (Triple Spool)
 (For Manual Shift and Power Shift)

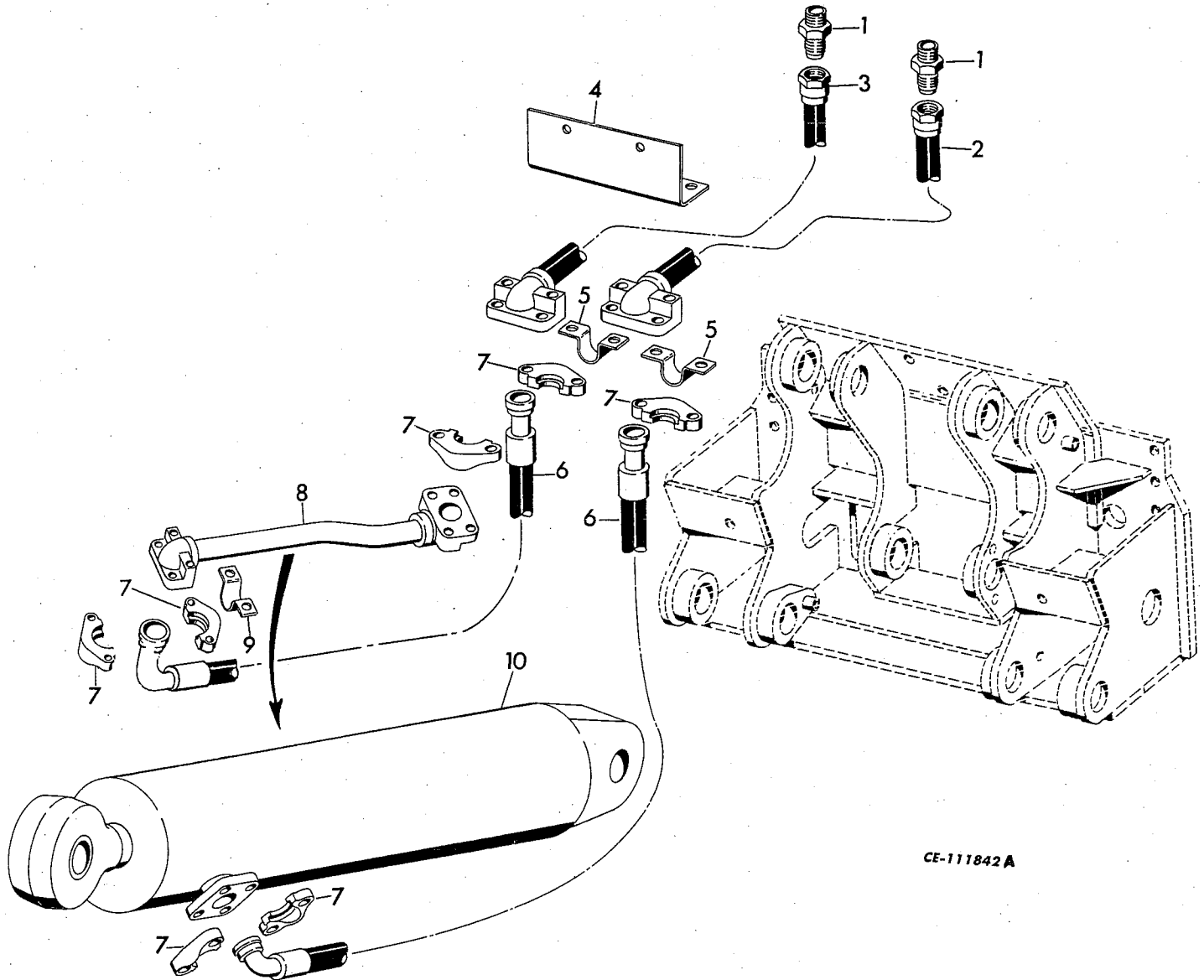


A	614 254 C91	ATTACHMENT, rear hydraulic plumbing (For Bulldozer) (See NOTE 4).	7	614 242 C1 179 882 103 323	CLAMP, tube (A) SCREW, hex-hd cap WASHER, lock
B	629 678 C91	ATTACHMENT, rear hydraulic plumbing (ATTACHMENT, 614 254 C91 must be used in conjunction with this attachment) (For Bulldozer) (See NOTE 4)	8	614 249 C91	CLAMP, tube (B)
			9	614 242 C1 24 870 R1 116 121	CLAMP, tube (B) SCREW, hex-hd cap WASHER, lock
1	614 244 C1	TUBE, inboard (A)		IZG-8218	DRAWING, rear hydraulic plumbing installation
2	614 245 C1	TUBE, outboard (A)			DRAWING, rear cover sheet rework
3	623 292 C1	TUBE, inboard (B)			
4	614 248 C1	TUBE, outboard (B)			
5	119 102	CAP, pipe (2)			
6	614 238 C91	BRACKET (A)			
	179 841	SCREW, hex-hd cap (2)			
	103 321	WASHER, lock (2)			
	102 635	NUT (2)			
	67 498 D	SPACER (2)			

NOTE 4: Attachment no longer available.
 Service Parts will be furnished as ordered.

HYDRAULICS

RIPPER PIPING (Not For Low Ground Pressure)



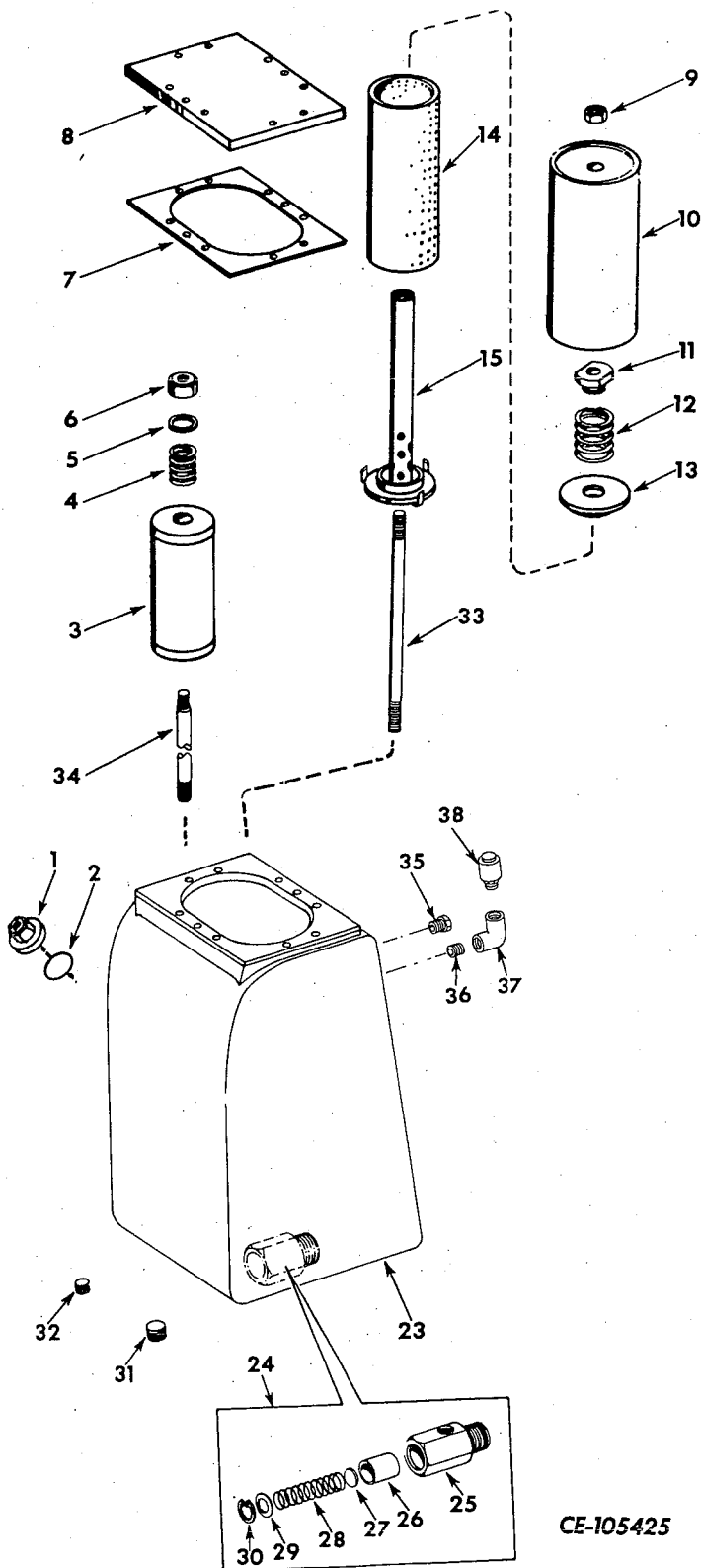
CE-111842A

HYDRAULICS

REF. NO.	PART NUMBER	DESCRIPTION	REF. NO.	PART NUMBER	DESCRIPTION
RIPPER PIPING - Continued					
(Not For Low Ground Pressure)					
1	9 410 207 296 247 R1	CONNECTOR (2) RING, sealing (2)			
2	710 417 C1	TUBE, rod end			
3	710 418 C1	TUBE, headend			
4	710 417 C1 140 483 H 67 498 D 25 522 R1 115 093	BRACKET, tube support SCREW, hex hd cap (2) WASER, beveled (2) NUT (2) WASHER, lock (2)			
5	602 449 C1 140 483 H 710 420 C1 25 522 R1 115 093	CLAMP (2) SCREW, hex-hd cap (4) SPACER (2) NUT (4) WASHER, lock (4)			
6	710 416 C1 380 794 R1	HOSE (2) RING, sealing (4)			
7	283 172 R1 140 483 H 115 093	FLANGE, half split (8) SCREW, hex-hd cap (16) WASHER, lock (16)			
8	710 127 C1 140 483 H 24 893 H 115 093 380 794 R1	TUBE, ripper cylinder manifold SCREW, 1-1/4" long hex-hd cap (2) SCREW, 2" long hex-hd cap (2) WASHER, lock (4) RING, sealing			
9	602 449 C1 25 768 R1 115 093	CLAMP SCREW, hex hd cap (2) WASHER, lock (2)			
10		CYLINDER, hydraulic (Refer to "Ripper Lift Cylinder")			

HYDRAULICS

REF. NO.	PART NUMBER	DESCRIPTION	REF. NO.	PART NUMBER	DESCRIPTION
HYDRAULIC RESERVOIR (501 to 518, 533 to 537, 539 to 548)					
			1	294 118 R2	PLUG, hydraulic oil filler
			2	253 172 R1	"O" RING (1.250 x 1.600 x .75")
			3	662 342 C1	FILTER
			4	250 567 R1	SPRING, suction strainer
			5	103 343	WASHER
			6	454 522 R1	NUT, lock
			7	335 776 R2	GASKET, cover
			8	335 777 R1 179 840	COVER, tank SCREW, hex-hd cap (10)
			9	17 161 R1	NUT, lock
			10	335 778 R91	SHROUD
			11	335 775 R1	RETAINER, spring
			12	605 049 C1	SPRING, compression
			13	335 770 R91	SUPPORT, filter
			14	336 670 R5 or 666 219 C1	ELEMENT, filter ELEMENT, filter
			15	335 769 R92	BASE, filter
			23	602 800 C92 179 841	TANK, hydraulic SCREW, 3/8 x 1-1/4" hex-hd cap (3)
				103 321	WASHER, 3/8" lock (3)
				179 885	SCREW, 1/2 x 1-1/2" hex-hd cap (3)
				103 323	WASHER, 1/2" lock (3)
				103 343	WASHER, 17/32 x 1-1/16" x 13 ga. (3)
				103 341	WASHER, 13/32 x 13/16" x 16 ga. (3)
				106 265	SHIM, 9/16" flat (x)
			24	335 321 R92	VALVE ASSY., surge
			25		HOUSING (Not furnished separately)
			26	335 322 R2	POPPET
			27	321 997 R1	SPACER (x)
			28	328 253 R1	SPRING
			29	103 347	WASHER
			30	631 449 R1	RING, snap
			31	271 849 R1	PLUG, pipe
			32	444 577	PLUG, pipe



(x) - As Required.

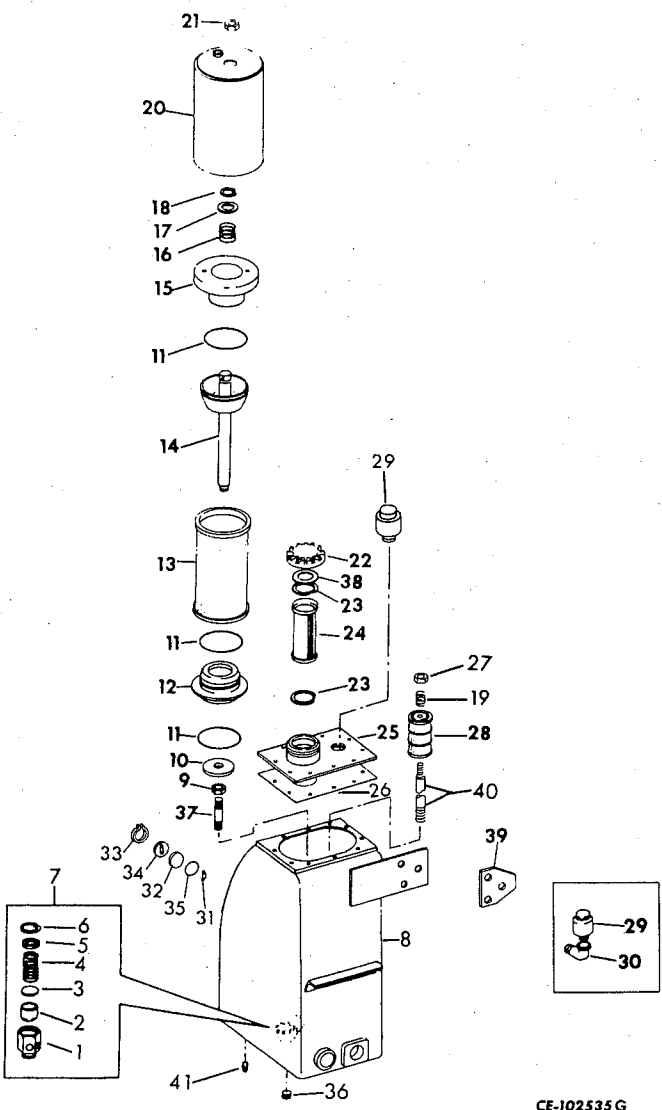
HYDRAULICS

REF. NO.	PART NUMBER	DESCRIPTION	REF. NO.	PART NUMBER	DESCRIPTION
HYDRAULIC RESERVOIR — Continued (501 to 518, 533 to 537, 539 to 548)					
33	335 764 R1	STUD, return tube filter (Mounted on return tube in hydraulic tank)			
34	335 768 R1	STUD, strainer			
	102 635	NUT			
	179 839	SCREW, hex-hd cap			
	103 321	WASHER, lock			
35	444 654	PLUG, NPT			
36	121 207	NIPPLE, NPT			
37	217 984	ELBOW, NPT			
38	657 882 C91	VALVE, pressure vacuum relief (Also see seal repair KIT, 883 170 C91 for service)			
	883 170 C91	KIT, seal repair (for VALVE, 657 882 C91) (Consists of - § 1 RING, lock § 1 SEAL, filter § 1 SEAL, poppet § 1 SEAL, sleeve)			

§ - Not furnished separately.

HYDRAULICS

REF. NO.	PART NUMBER	DESCRIPTION	REF. NO.	PART NUMBER	DESCRIPTION
HYDRAULIC RESERVOIR (519 to 532, 538, 540 to 547 and 549 and up)					
			8	658 995 C4	RESERVOIR w/STUD, 656 930 C1, hydraulic
				24 841 R1	SCREW, 3/8 x 1-1/2" hex-hd cap (3)
				115 093	WASHER, 3/8" lock (3)
				24 862 R1	SCREW, 1/2 x 1-1/2" hex-hd cap (3)
				25 536 R1	WASHER, 17/32 x 1-1/16" x 13 ga. flat (3)
				116 121	WASHER, 1/2" lock (3)
				106 265	WASHER, 9/16 x 1-3/8" x 12 ga. flat (4 or as required)
			9	666 001 C1	NUT
			10	656 391 C1	PLATE, filter
			11	252 556 R1	"O" RING (5-1/4 x 5-1/2 x 1/8") (3)
			12	658 982 C2	BASE, filter
			13	336 670 R5	ELEMENT, filter
			13	666 219 C1	ELEMENT, filter
			14	656 923 C1	SUPPORT, filter
			15	656 489 C1	RETAINER, filter
			16	618 582 C1	SPRING, filter
			17	Q-3 483	WASHER, flat
			18	199 037 H1	RING, snap
			19	250 567 R1	SPRING, suction strainer
			20	629 284 C1	SHROUD, filter
			21	17 161 R1	NUT, lock
			22	701 922 C2	CAP w/GASKET, 618 688 C2, filler
			23	317 943 R1	RING, snap (2)
			24	733 455 C1	STRAINER (Replaces 658 989 C1) filler
			25	658 990 C2	COVER and FILLER NECK (Together with PLUG, 9 409 949, will work for COVER, 658 990 C1)
				26 311 R1	SCREW, hex-hd cap (10)
			26	335 776 R2	GASKET, cover and filler neck
			27	454 522 R1	NUT, lock
				25 536 R1	WASHER, flat
			28	662 342 C1	STRAINER, suction
			29	657 882 C91	VALVE, pressure vacuum relief (Also see SEAL REPAIR KIT, 883 170 C91 for service)
				or	
			29	659 078 C91	VALVE, pressure vacuum relief (Also see SEAL REPAIR KIT, 925 262 C91 for service)
					(x) - As Required.
1		HOUSING, surge valve (Not furnished separately)			
2	335 322 R2	POPPET, valve			
3	321 997 R1	SPACER, valve (x)			
	OR				
3	738 070 C1	SPACER, valve (x)			
4	605 059 C1	SPRING, valve			
5	103 347	WASHER, flat			
6	631 449 R1	RING, valve snap			
7	605 058 C91	VALVE ASSY., surge			



CE-102535 G

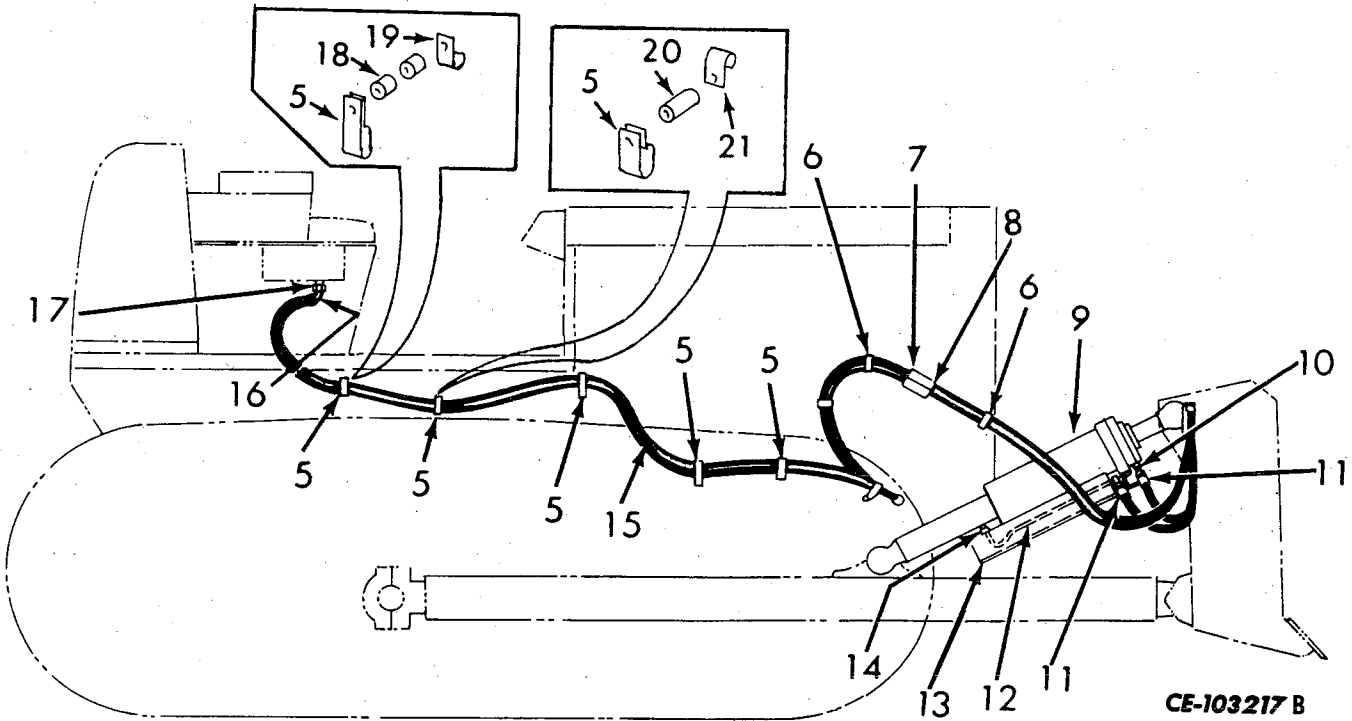
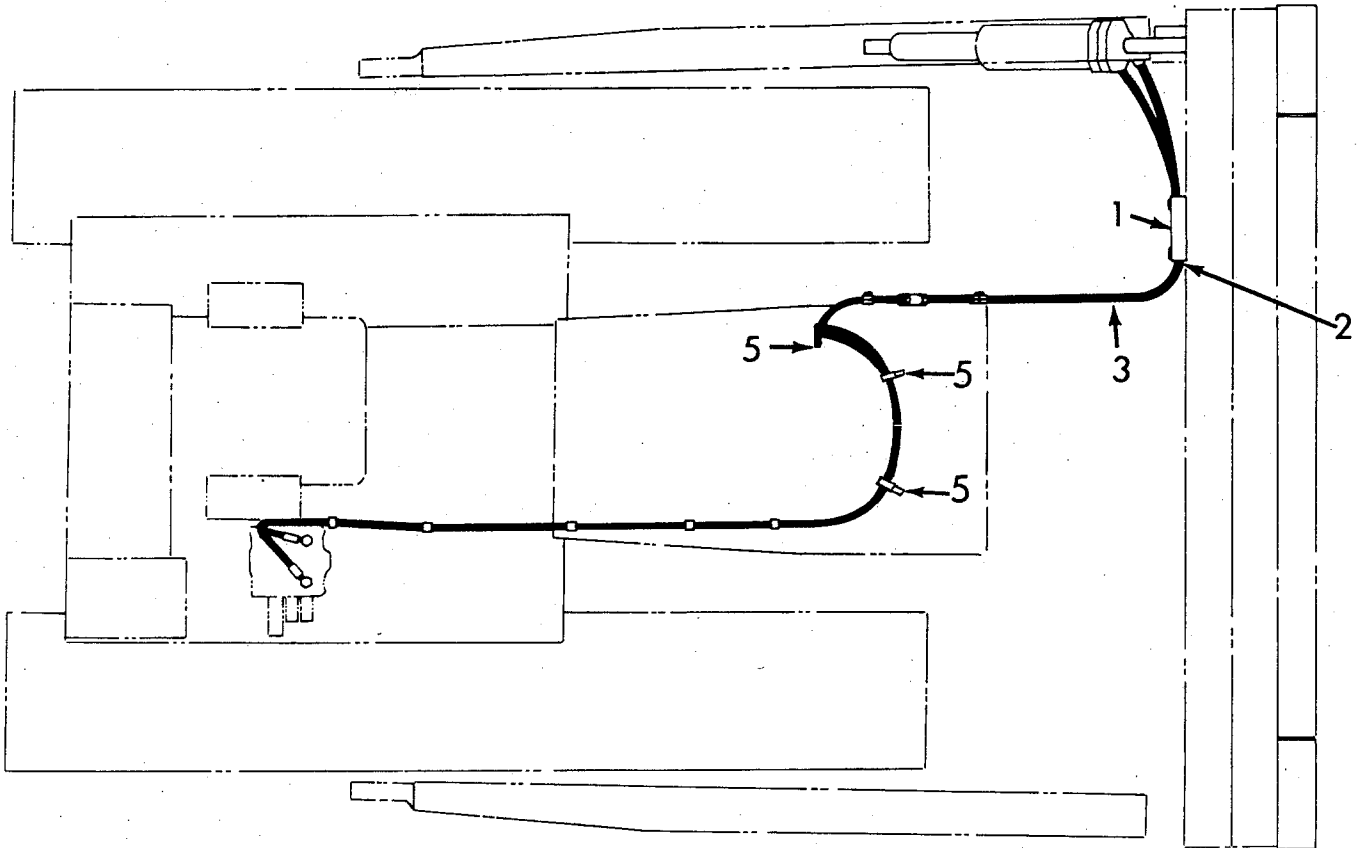
HYDRAULICS

REF. NO.	PART NUMBER	DESCRIPTION	REF. NO.	PART NUMBER	DESCRIPTION
HYDRAULIC RESERVOIR — Continued (519 to 532, 538, 540 to 547 and 549 and up)					
30	141 621	ELBOW, pressure vacuum relief valve 1374 and below			
31	656 106 C1	REFLECTOR			
32	656 104 C2	LENSE, hydraulic reservoir			
33	23 914 R1	RING, snap			
34	656 105 C1	WASHER			
35	22 288 R1	"O" RING (1-1/2 x 1-1/8 x 7/16")			
36	280 668 R91	PLUG, magnetic			
37	656 930 C2	STUD, filter			
38	618 688 C2	GASKET, filler cap			
39	651 709 C1	PLATE, bolt mounting			
40	658 988 C1	STUD, strainer			
41	444 577	PLUG # and below			
	883 170 C91	KIT, seal repair (For VALVE, 657 882 C91) (Consists of three SEALS and one "O" RING)			
	925 262 C91	KIT, seal repair (For VALVE, 659 078 C91) (Consists of two GASKETS and one "O" RING)			
	9 409 949	PLUG, cover and filler neck			

- Serial Number not available.

HYDRAULICS

HYDRAULIC TILT (Bulldozer) (Not For Low Ground Pressure)



CE-103217 B

HYDRAULICS

REF. NO.	PART NUMBER	DESCRIPTION	REF. NO.	PART NUMBER	DESCRIPTION
HYDRAULIC TILT – Continued (Bulldozer) (Not For Low Ground Pressure)			12	326 235 R91	TUBE, cylinder (Used w/CYLINDER ASSY., 326 233 C91)
	628 440 C91	ATTACHMENT, hydraulic tilt (For models equipped with Bulldozer blade) (See NOTE) (Consists of -		101 826 R1	SCREW, hex-hd cap (2)
				115 093	WASHER, lock (2)
1	326 241 R11	GUARD, hose	13	326 236 R11	GUARD, cylinder tube (Used w/CYLINDER ASSY., 326 233 C91)
	24 863 R1	SCREW, hex-hd cap (2)		25 526 R1	NUT
	116 121	WASHER, lock (2)		25 290 R1	SCREW, hex-hd cap
2	326 239 R1	CLAMP, tapped half (Optional w/705 573 C1) (2)		116 121	WASHER, lock
2	705 573 C1	CLAMP, tapped half (Optional w/326 239 R1) (2)		120 390	WASHER, flat (2)
3	702 425 C1	HOSE w/FITTINGS (HOSE, 3/8" ID x 111" long including FITTINGS) (2)	13	645 883 C1	GUARD, cylinder tube (Used w/CYLINDER ASSY., 658 582 C91)
5	612 354 C1	CLAMP, double hose (8)		25 696 R1	SCREW (2)
	25 522 R1	NUT (2)		9 412 231	NUT, lock (2)
	27 768 R1	SCREW, 3/8 x 7/8" hex-cap (2)	14	9 410 203	CONNECTOR
	24 840 R1	SCREW, 3/8 x 1" hex-hd cap		570 828 R1	"O" RING, 2.337 x 2.573 x .118"
	25 501 R1	SCREW, 3-3/4" long hex-hd cap	15	702 981 C1	HOSE w/FITTINGS (HOSE, 3/8" ID x 171" long including FITTINGS) (2)
	277 232 R1	SCREW, 2-3/4" long hex-hd cap	16		FITTING, hose (Not furnished separately) (2)
	24 860 R1	SCREW, 1/2 x 1" hex-hd cap (2)	17	333 457 R1	CONNECTOR, straight boss (2)
	24 866 R1	SCREW, 1/2 x 2-1/2" hex-hd cap		296 247 R1	"O" RING, .301 x .429 x .064" (2)
	115 093	WASHER, 3/8" lock (3)	18		SPACER (1/2" extra strong pipe x 9/16" long) (Obtain locally) (2)
	116 121	WASHER, 1/2" lock (2)	19	267 787 R91	CLIP (For battery cable) *
	118 775	WASHER, 13/32 x 13/16" x 16 ga. (4)	20		SPACER (1/2" extra strong pipe x 2-7/16" long) (Obtain locally) *
6	705 574 C1	CLAMP, tapped half (Optional w/326 240 R1)	21	616 282 C1	CLIP (For battery cable) *
6	326 240 R1	CLAMP, drilled half (Optional w/705 574 C1) (2)			
	24 862 R1	SCREW, hex-hd cap (2)			
	116 121	WASHER, lock (2)			
7		FITTING, hose (Not furnished separately) (2)			
8		FITTING, hose (Not furnished separately) (2)			
9		CYLINDER, tilt (Refer to "Tilt Cylinder Bulldozer")			
10	9 411 105	ELBOW, 45° (Used w/CYLINDER ASSY, 326 233 C91)			
	570 828 R1	"O" RING, 2.337 x 2.573 x .118" (Used w/ELBOW, 9 411 105)			
10	481 352 R1	CONNECTOR, short reducer (Used w/CYLINDER ASSY., 658 582 C91)			
11		FITTING, hose (Not furnished separately) (2)			

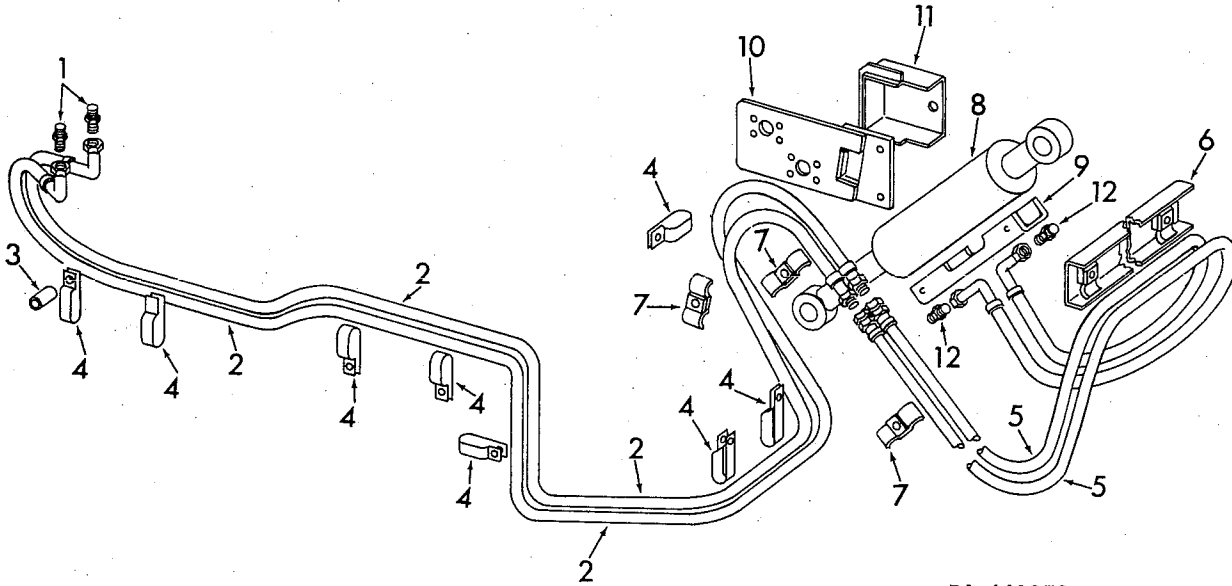
* - Not Part of Attachment.

NOTE — Field Application - Order on Machine Order Form.

HYDRAULICS

REF. NO.	PART NUMBER	DESCRIPTION	REF. NO.	PART NUMBER	DESCRIPTION
----------	-------------	-------------	----------	-------------	-------------

**HYDRAULIC TILT (BULLDOZER)
(For Low Ground Pressure)**



PL-118859

1	333 457 R1 296 247 R1	CONNECTOR, straight boss (2) RING, sealing (2)	7	326 240 R1 OR 705 574 C1	CLAMP, hose (3) CLAMP, hose (3)
2	702 981 C1	HOSE w/FITTINGS (3/8" ID x 171" long including FITTINGS) (2)	7	24 862 R1 25 536 R1	SCREW, hex-hd cap (2) WASHER, hardened (2)
3	259 342 R1 24 866 R1 25 536 R1	SPACER, pipe SCREW, hex-hd cap WASHER, hardened	8		CYLINDER, hydraulic tilt (Refer to "Tilt Cylinder Bulldozer")
4	612 354 C1 25 522 R1 277 232 R1 24 840 R1 24 860 R1 27 768 R1 25 534 R1 25 536 R1	CLAMP, hose (8) NUT SCREW, 2-3/4" long hex-hd cap SCREW, 3/8 x 1" long hex-hd cap SCREW, 1/2 x 1" long hex-hd cap SCREW, 7/8" long hex-hd cap (2) WASHER, 3/8" hardened (2) WASHER, 1/2" hardened	9	645 883 C1 9 412 231 25 696 R1	GUARD, cylinder tube NUT, lock (2) SCREW, hex-hd cap (2)
5	711 576 C1	HOSE w/FITTINGS (3/8" ID x 147" long including FITTINGS) tilt cylinder (2)	10	732 495 C1	PLATE, LH mounting equipment plumbing
6	711 578 C1 24 863 R1 25 536 R1	GUARD, hose SCREW, hex-hd cap (2) WASHER, hardened (2)	11	717 441 C1 24 863 R1 25 555 R1	CLOSURE, hydraulic tilt SCREW, hex-hd cap WASHER, hardened
			12	481 352 R1 364 885 R1	UNION, "O" ring boss (2) RING, sealing (2)

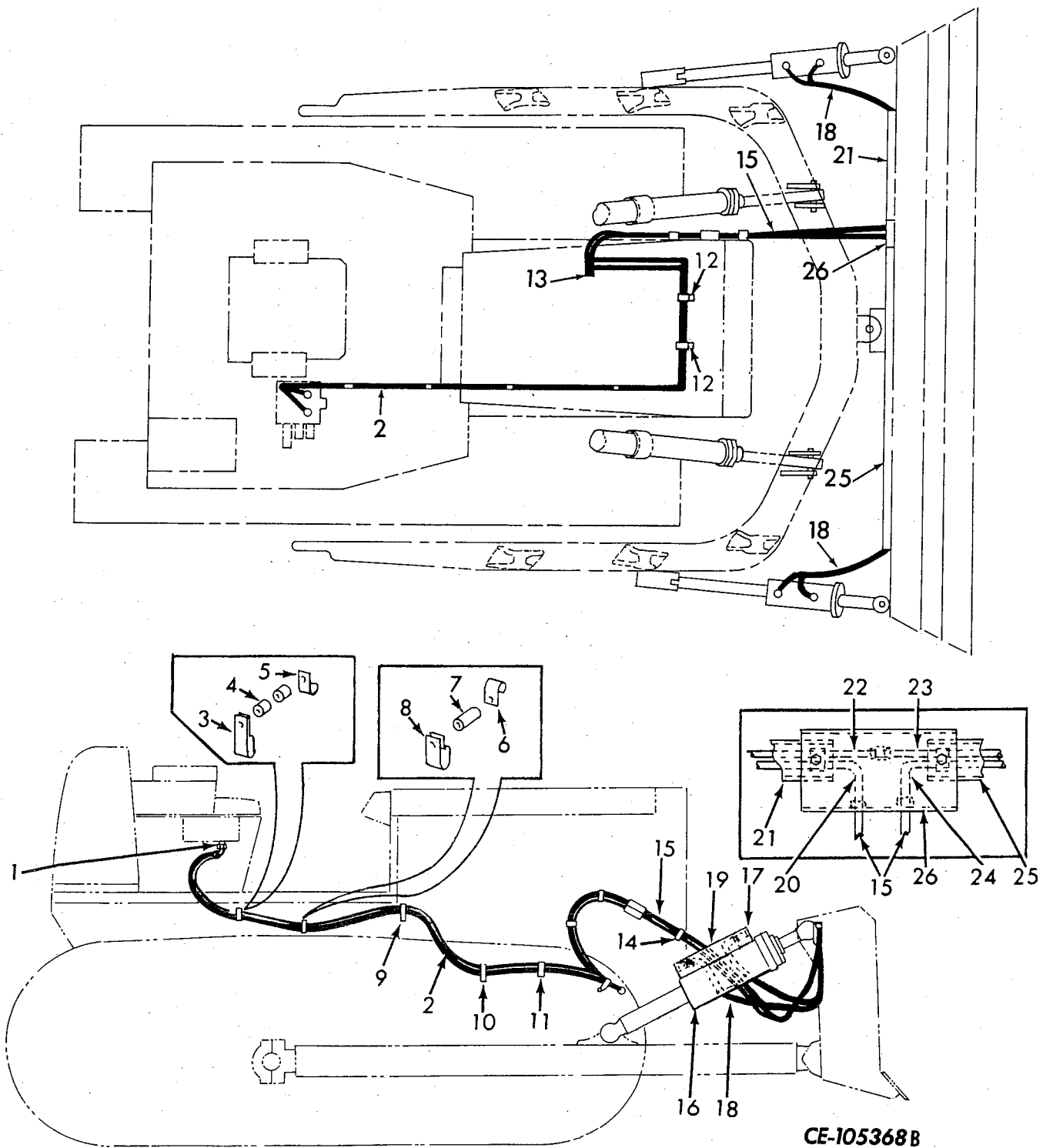
HYDRAULICS

REF. NO.	PART NUMBER	DESCRIPTION	REF. NO.	PART NUMBER	DESCRIPTION
----------	-------------	-------------	----------	-------------	-------------

MEMORANDA

HYDRAULICS

HYDRAULIC TILT (Bullgrader) (Not For Low Ground Pressure)



HYDRAULICS

REF. NO.	PART NUMBER	DESCRIPTION	REF. NO.	PART NUMBER	DESCRIPTION
HYDRAULIC TILT - Continued (Bullgrader) (Not For Low Ground Pressure)			16		CYLINDER, hydraulic tilt (Refer to "Tilt Cylinder - Bullgrader Hydraulic Tilt") (2)
	629 732 C91	ATTACHMENT, hydraulic tilt (For use on Manual Shift and Power Shift Tractors equipped with Hydraulic Bullgrader Blade) (See NOTE 2) (Consists of -		105 404 342 775 R91	NIPPLE, pipe (2) PLUG, bleeder (2)
1	333 457 R1 296 247 R1	CONNECTOR, reducer (2) "O" RING (2)	17	481 352 R1 364 885 R1	CONNECTOR, reducer (4) "O" RING (4)
2	702 981 C1	HOSE w/FITTING (HOSE, 3/8" ID x 171" long including FITTINGS) (2)	18	646 568 C1	HOSE w/FITTING (HOSE, 3/8" ID x 45" long including FITTINGS) (4)
3	612 354 C1 24 860 R1 116 121	CLAMP, hose SCREW, hex-hd cap WASHER, lock	19	645 883 C1 9 412 231 25 696 R1	PLATE, cylinder guard (2) NUT, lock (4) SCREW, hex-hd cap (4)
4	259 342 R1	SPACER	20	645 888 C1	TUBE, head side - short
5	267 787 R91 24 866 R1 116 121 R1	CLAMP, battery cable * SCREW, hex-hd cap WASHER, lock	21	645 880 C1 24 839 R1 25 506 R1 116 121 196 556 R1	GUARD, short tube SCREW, 3/8" dia. hex-hd cap SCREW, 1/2" dia. hex-hd cap WASHER, lock WASHER, tube clamping
6	616 282 C1 25 522 R1 25 501 R1 115 093 12 201 R1	CLAMP, battery cable * NUT SCREW, hex-hd cap WASHER, lock WASHER, flat	22	646 977 C1	TUBE, rod crossover 100" long (Order TUBE, 646 977 C2 and TUBE, 629 817 C1)
7	650 546 R2	SPACER *	22	646 977 C2	TUBE, rod crossover (50" long)
8	612 354 C1	CLAMP, hose	23	629 817 C1	TUBE, rod crossover
9	612 354 C1 25 522 R1 24 840 R1 115 093 118 775	CLAMP, hose NUT SCREW, hex-hd cap WASHER, lock WASHER, flat	24	645 886 C1	TUBE, head side - long
10	612 354 C1 24 860 R1 116 121	CLAMP, hose SCREW, hex-hd cap WASHER, lock	25	645 877 C1 25 506 R1 24 839 R1 196 556 R1 116 121	GUARD, long tube SCREW, 1/2" dia. hex-hd cap (3) SCREW, 3/8" dia. hex-hd cap WASHER, tube clamping WASHER, lock (3)
11	612 354 C1	CLAMP, hose	26	645 882 C1 25 278 R1 116 121	PLATE, cover SCREW, hex-hd cap (2) WASHER, lock (2)
12	612 354 C1	CLAMP, hose (2)		612 354 C1 27 768 R1 118 775	CLAMP, hose (2) SCREW, hex-hd cap (2) WASHER, flat (2)
13	612 354 C1 25 522 R1 277 232 R1 115 093 118 775	CLAMP, hose NUT SCREW, hex-hd cap WASHER, lock WASHER, flat	1 085 654 R1		PAMPHLET, installation instructions
14	705 573 C1	CLAMP, tapped half (2)			
14	326 239 R1 326 240 R1 24 862 R1 116 121	CLAMP, tapped half (2) CLAMP, drilled half (2) SCREW, hex-hd cap (2) WASHER, lock (2)			
15	646 569 C1	HOSE w/two FITTINGS, 324 695 R91 (HOSE, 3/8" ID x 92" long including FITTINGS)			

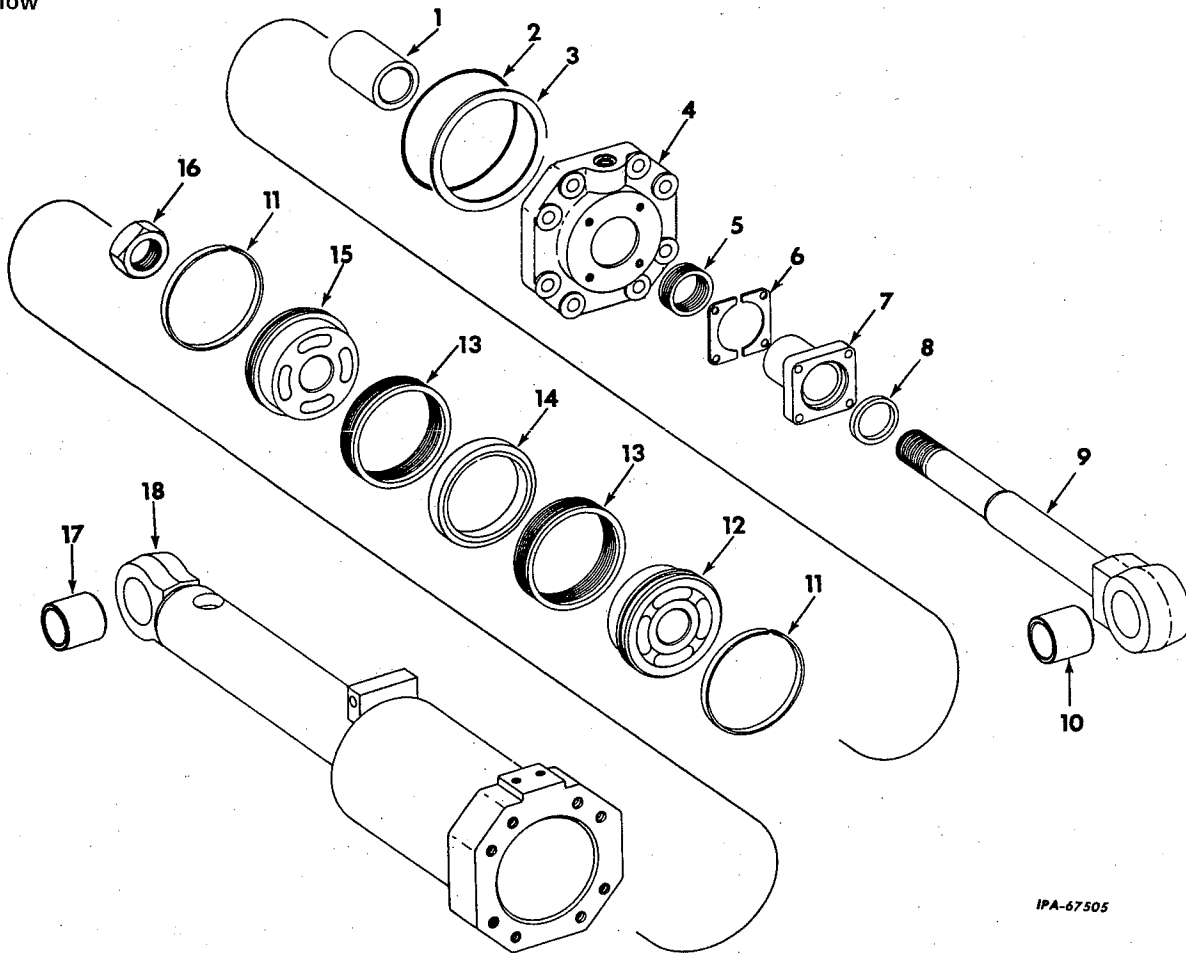
* - Not Part Of Attachment

NOTE 2 - Field Application - Order on Machine Order Form.

HYDRAULICS

REF. NO.	PART NUMBER	DESCRIPTION	REF. NO.	PART NUMBER	DESCRIPTION
----------	-------------	-------------	----------	-------------	-------------

TILT CYLINDER
(Bulldozer)
% and below



IPA-67505

326 233 R92		CYLINDER ASSEMBLY, hydraulic tilt (Order the following parts - 1 CYLINDER 658 582 C91 2 HOSE 702 425 C1 1 GUARD 645 883 C1 2 BOLT 25 696 R1 2 NUT 9 412 231) (Consists of -	7	294 514 R2 179 886 103 323	GLAND, cylinder cap packing SCREW, hex-hd cap (4) WASHER, lock (4)
1	317 126 R1	SPACER, piston rod	8		SEAL, rod wiper (Order PACKAGE, 636 140 C91)
2	22 292 R1	"O" RING, 4-3/4 x 5-1/4 x 1/4" (Also part of PACKAGE, 636 140 C91)	9	317 096 R91	ROD w/BUSHING, 290 290 R2, piston
3	603 507 C1	RING, back-up (Also part of PACKAGE, 636 140 C91)	10	290 290 R2	BUSHING, piston rod
4	326 234 R1 179 911	CAP, cylinder SCREW, hex-hd cap (8)	11		RING, piston wear (Order PACKAGE, 636 140 C91) (2)
5		SEAL, piston rod (Order PACKAGE, 636 140 C91)	12	317 097 R1	PISTON, split front
6	294 515 R1	SHIM, cylinder cap packing gland (Order PACKAGE, 636 140 C91)(30)	13		PACKING, piston (Order PACKAGE, 636 140 C91) (2)
			14		SPACER, packing (Order PACKAGE, 636 140 C91)
			15	317 097 R1	PISTON, split rear

HYDRAULICS

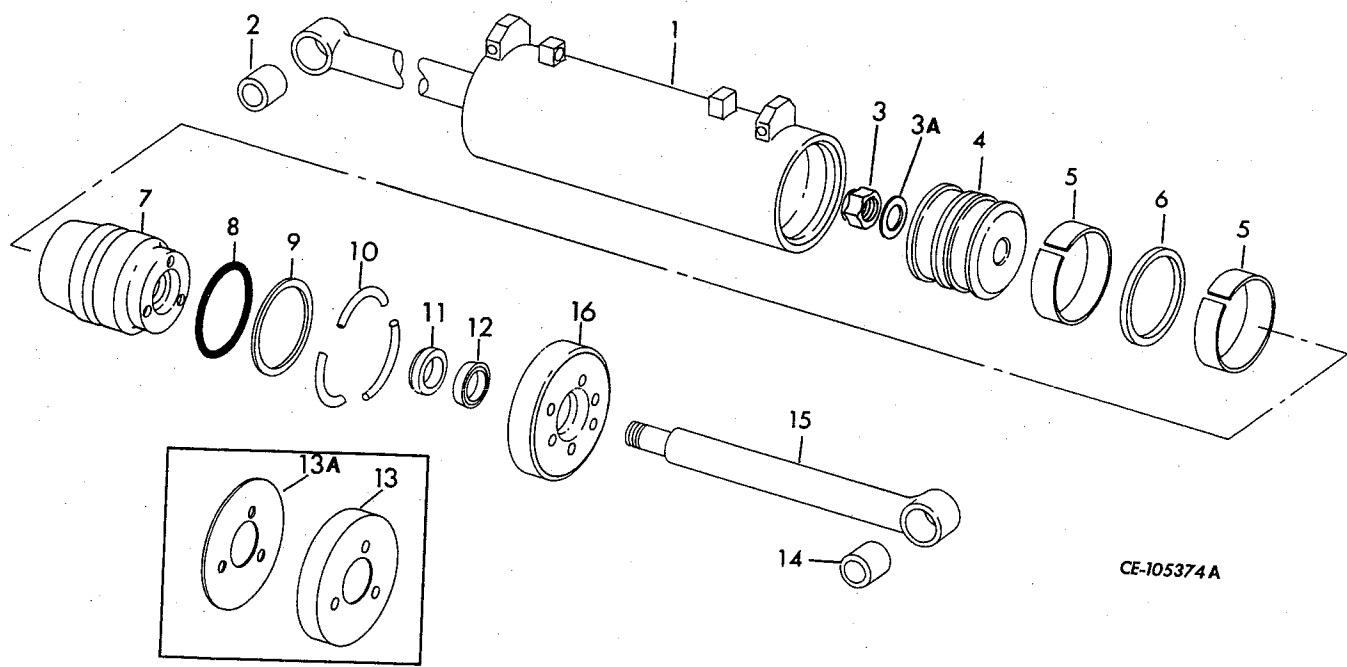
REF. NO.	PART NUMBER	DESCRIPTION	REF. NO.	PART NUMBER	DESCRIPTION
TILT CYLINDER – Continued (Bulldozer) % and below					
16	27 137 R1 595 750 R1	NUT, elastic stop WASHER, hardened			
17	290 290 R2	BUSHING, cylinder housing			
18	317 092 R91	HOUSING w/BUSHING, 290 290 R2, cylinder (Order the following parts -			
		1 CYLINDER 658 582 C91			
		2 HOSE 702 425 C1			
		1 GUARD 645 883 C1			
		2 BOLT 25 696 R1			
		2 NUT 9 412 231)			
	636 140 C91	PACKAGE, cylinder seal ring (Services one cylinder) (x) (Consists of -			
		§ 1 PACKING, piston			
		§ 2 RING, piston wear			
		1 RING 603 507 C1			
		1 RING 22 292 R1			
		§ 1 SEAL, rod (Will work for PACKING, 294 512 R92 and SHIM, 294 515 R1)			
		§ 1 SEAL, rod wiper			

- (x) - As Required.
§ - Not Furnished Separately.

HYDRAULICS

REF. NO.	PART NUMBER	DESCRIPTION	REF. NO.	PART NUMBER	DESCRIPTION
----------	-------------	-------------	----------	-------------	-------------

TILT CYLINDER
(Bulldozer)
% and up

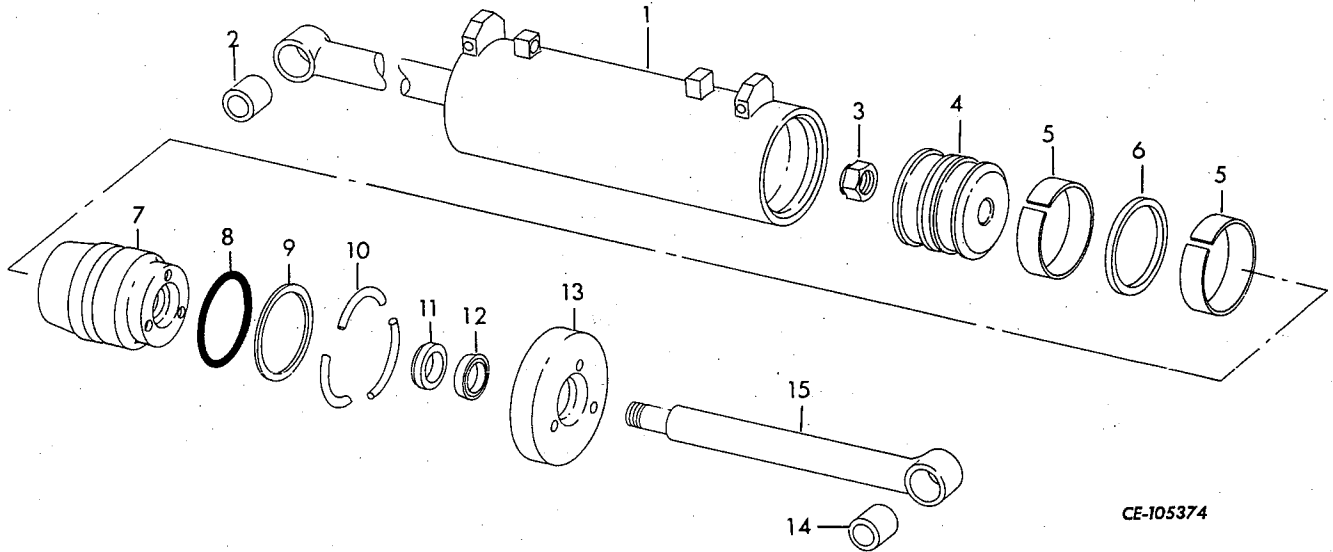


658 582 C91	CYLINDER ASSEMBLY, hydraulic tilt(Order CYLINDER ASSY., 707 148 C91)	10	214 767 H2	SEGMENT, lock ring (3)
707 148 C91	CYLINDER ASSEMBLY, hydraulic tilt (Consists of—	11		SEAL, rod (Order PACKAGE, 636 143 C91)
1 658 583 C91	HOUSING w/BUSHING, 290 290 R2, cylinder	12		SEAL, rod wiper (Order PACKAGE, 636 143 C91)
2 290 290 R2	BUSHING, housing	13	656 638 C1	COVER, cylinder (Used w/CYLINDER ASSY., 658 582 C91)
3 634 251 C1	NUT	13A	614 720 C1	GASKET, cover (Also part of PACKAGE, 636 143 C91)
3A 28 129 R1	WASHER, flat		26 311 R1	BOLT (3)
4 706 804 C1	PISTON		25 534 R1	WASHER, flat (3)
5	RING, piston wear (Order PACKAGE, 636 143 C91) (2)	14	290 290 R2	BUSHING, piston rod
6	RING, piston seal (Order PACKAGE, 636 143 C91)	15	657 878 C91	ROD w/BUSHING, 290 290 R2, piston
7 657 877 C1	CAP(Used w/CYLINDER ASSY., 658 582 C91)	16	706 853 C1	COVER, cylinder (Used w/CYLINDER ASSY., 707 148 C91)
7 707 093 C1	CAP (Used w/CYLINDER ASSY., 707 148 C91)		26 311 R1	BOLT (6)
8 343 912 R1	"O" RING (Also part of PACKAGE, 636 143 C91)		25 534 R1	WASHER, flat (6)
9 336 620 R2	RING, back-up (Also part of PACKAGE, 636 143 C91)		636 143 C91	PACKAGE, cylinder seal ring (Consists of -
				1 GASKET 614 720 C1
				1 RING 336 620 R2
				1 RING 343 912 R1
				§ 1 RING, piston seal
				§ 2 RING, wear, 3/16" thk
				+ § 2 RING, wear, 1/8" thk
				§ 1 SEAL, rod
				§ 1 SEAL, rod wiper
		(+)		- Not used in this cylinder.
		§		- Not furnished separately.

HYDRAULICS

REF. NO.	PART NUMBER	DESCRIPTION	REF. NO.	PART NUMBER	DESCRIPTION
----------	-------------	-------------	----------	-------------	-------------

TILT CYLINDER
(Bullgrader)
(Not For Low Ground Pressure)



	657 870 C91	CYLINDER ASSEMBLY, hydraulic tilt (Part of Bullgrader Hydraulic Tilt Attachment)(Order CYLINDER ASSY., 707 134 C91)	11		SEAL, rod (Order PACKAGE, 636 143 C91)
			12		WIPER, seal (Order PACKAGE, 636 143 C91)
	707 134 C91	CYLINDER ASSEMBLY, hydraulic tilt (Consists of—	13	656 638 C1	COVER, cylinder (Used w/CYLINDER ASSY., 657 870 C91)
1	657 871 C91	HOUSING w/BUSHING, 290 290 R2, cylinder	13A	614 720 C1	GASKET, cover (Also part of PACKAGE, 636 143 C91)
				26 311 R1	BOLT (3)
				25 534 R1	WASHER, flat (3)
2	290 290 R2	BUSHING, housing	14	290 290 R2	BUSHING, piston rod
3	634 251 C1	NUT	15	657 878 C91	ROD w/BUSHING, 290 290 R2, piston
	27 424 R1	WASHER, hardened			
4	656 741 C2	PISTON (Order PISTON, 706 804 C1 and PACKAGE, 636 143 C91)	16	706 853 C1	COVER, cylinder (Used w/CYLINDER ASSY., 707 134 C91)
4	706 804 C1	PISTON		26 311 R1	BOLT (6)
5		RING, piston wear (Order PACKAGE, 636 143 C91)		25 534 R1	WASHER (6)
6		RING, seal (Order PACKAGE, 636 143 C91)		636 143 C91	PACKAGE, cylinder seal ring (Services one cylinder) (x) (Consists of -
7	657 877 C1	CAP(Used w/CYLINDER ASSY., 657 870 C91)			1 GASKET 614 720 C1
7	707 093 C91	CAP (Used w/CYLINDER ASSY., 707 134 C91)			1 RING 336 620 R2
8	343 912 R1	"O" RING (Also part of PACKAGE, 636 143 C91)			1 RING 343 912 R1
9	336 620 R2	RING, back-up (Also part of PACKAGE, 636 143 C91)			§ 1 RING, piston seal
10	214 767 H2	SEGMENT, lock ring (3)			§ 2 RING, wear, 3/16" thk (Use w/PISTON, 706 804 C1)
					§ 2 RING, wear, 1/8" thk (Use w/PISTON, 656 741 C2)
					§ 1 SEAL, rod
					§ 1 SEAL, rod wiper

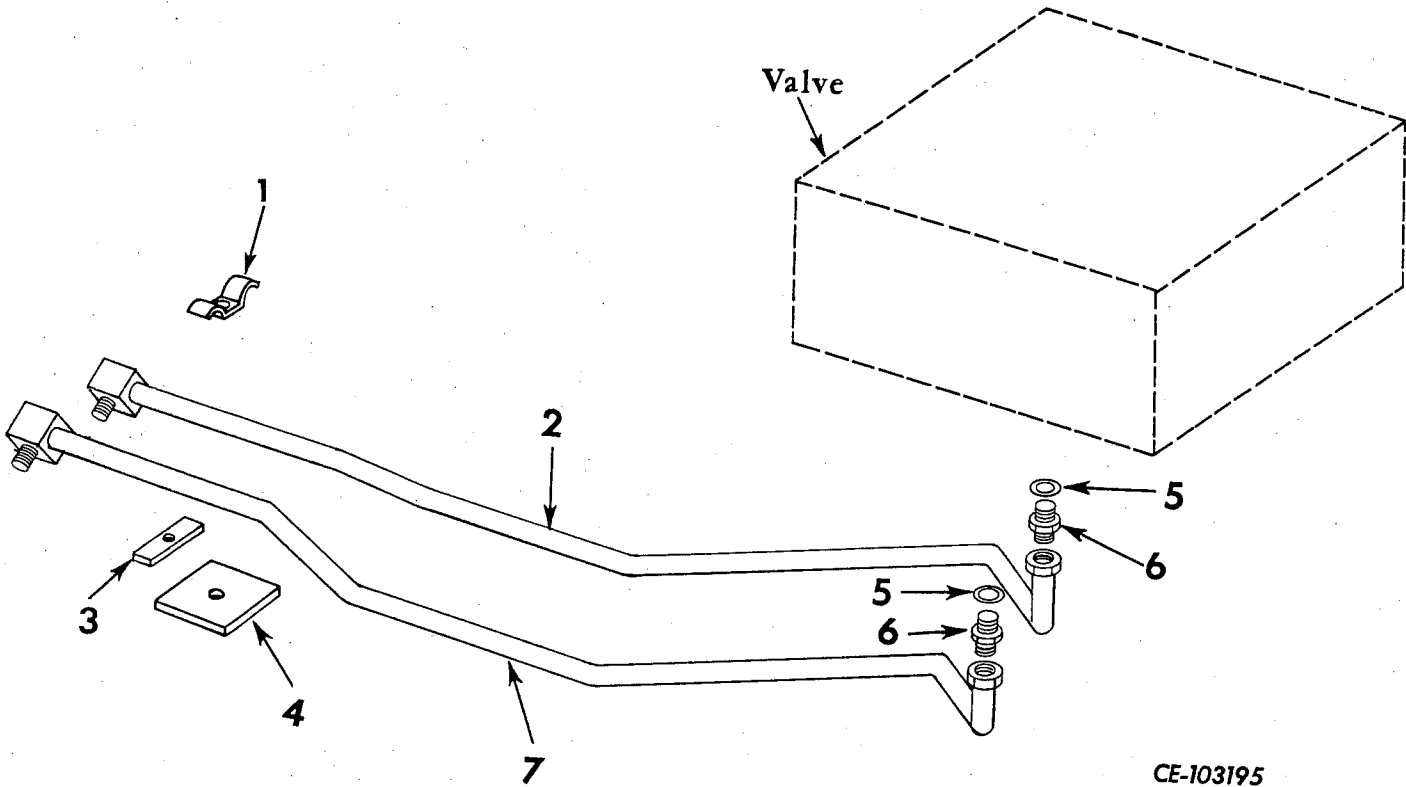
(x) - As required.

§ - Not furnished separately.

HYDRAULICS

REF. NO.	PART NUMBER	DESCRIPTION	REF. NO.	PART NUMBER	DESCRIPTION
----------	-------------	-------------	----------	-------------	-------------

SCARIFIER HYDRAULICS
(For Manual Shift and Power Shift)



CE-103195

		ATTACHMENT, scarifier hydraulic (For models equipped with Auxiliary Control, Three Spool Hydraulic Control Unit and Drott Scarifier) (Not used with Drawbar) (See NOTE 4) (Consists of -			
1	600 859 C1	CLAMP	3	602 183 C1	SPACER
	102 635	NUT	4	600 865 C1	PLATE
	179 848	SCREW, hex-hd cap	5	296 247 R1	"O" RING (.301 x .429 x .064") (2)
	103 321	WASHER, lock	6	380 633 R1	CONNECTOR (2)
2	618 159 C1	TUBE, inner	7	618 160 C1	TUBE, outer
			2 753 005 R1		PRODUCT GRAPHIC, scarifier control

NOTE 4 - Attachment no longer available.
Service parts will be furnished.

**REFER TO ALPHABETICAL INDEX
FOR COMPLETE LISTING OF PARTS**

INSTRUMENTS

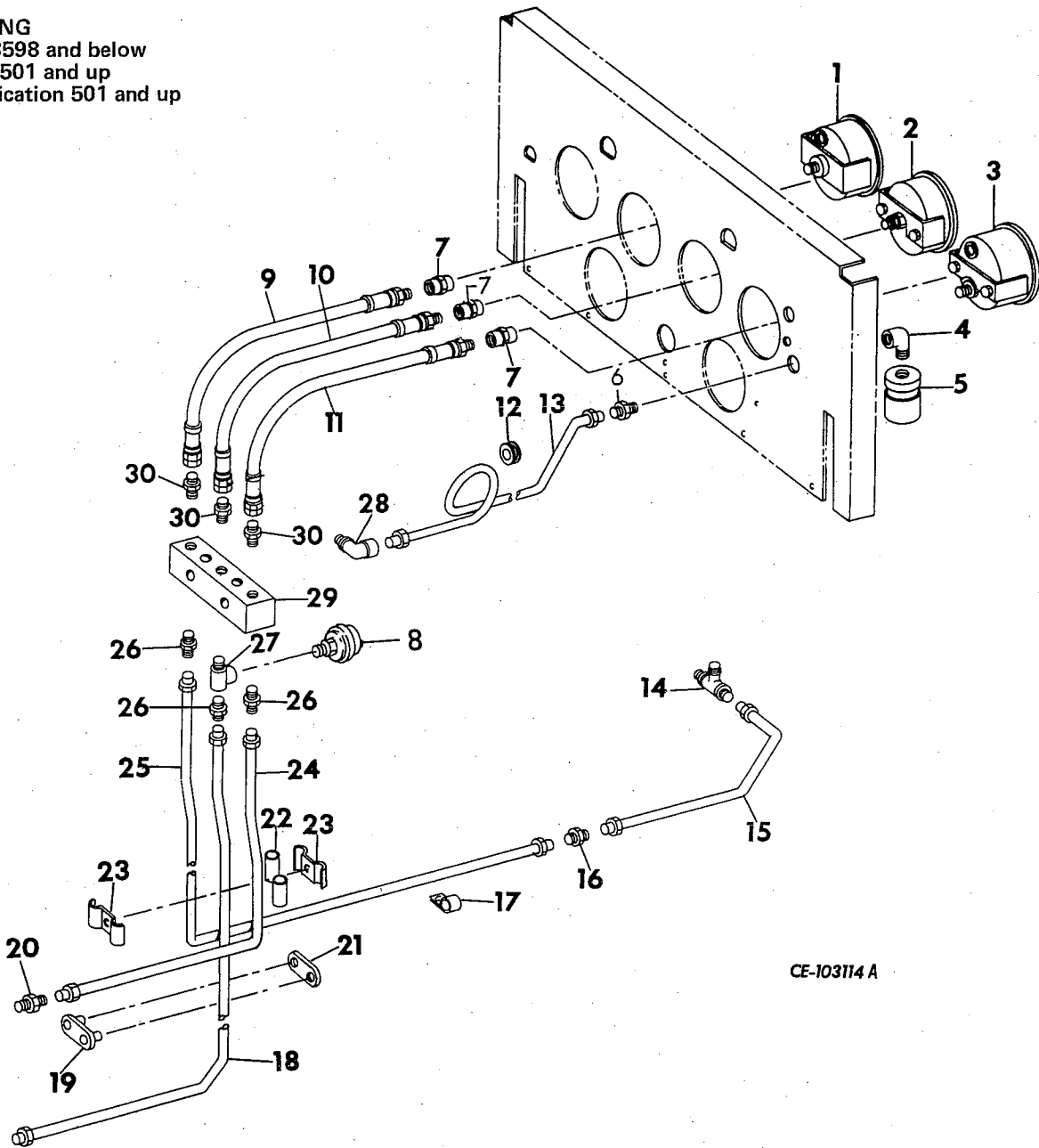
11

INSTRUMENTS

REF. NO.	PART NUMBER	DESCRIPTION	REF. NO.	PART NUMBER	DESCRIPTION
----------	-------------	-------------	----------	-------------	-------------

GAUGE PIPING

Power Shift 3598 and below
Manual Shift 501 and up
Custom Application 501 and up



1	GAUGE, clutch oil pressure (For Power Shift) (*)	7	444 094	CONNECTOR, gauge (2 for Manual Shift and Custom Applications) (3 for Power Shift)
2	GAUGE, engine oil pressure (*)	8	663 392 C1	SWITCH, engine oil pressure (external ground) (for use w/pressure switch ground cable) # and below
3	GAUGE, fuel oil pressure (*)	8	610 288 C92	SWITCH, engine oil pressure (internal ground) (not used w/pressure switch ground cable) # and up
4	ELBOW, filter indicator (*)			
5	INDICATOR, air cleaner filter (*)			
6	606 999 C1 CONNECTOR, filter indicator elbow			

- Serial Number not available.

(*) - Refer to "Instrument Panel and Gauges."

INSTRUMENTS

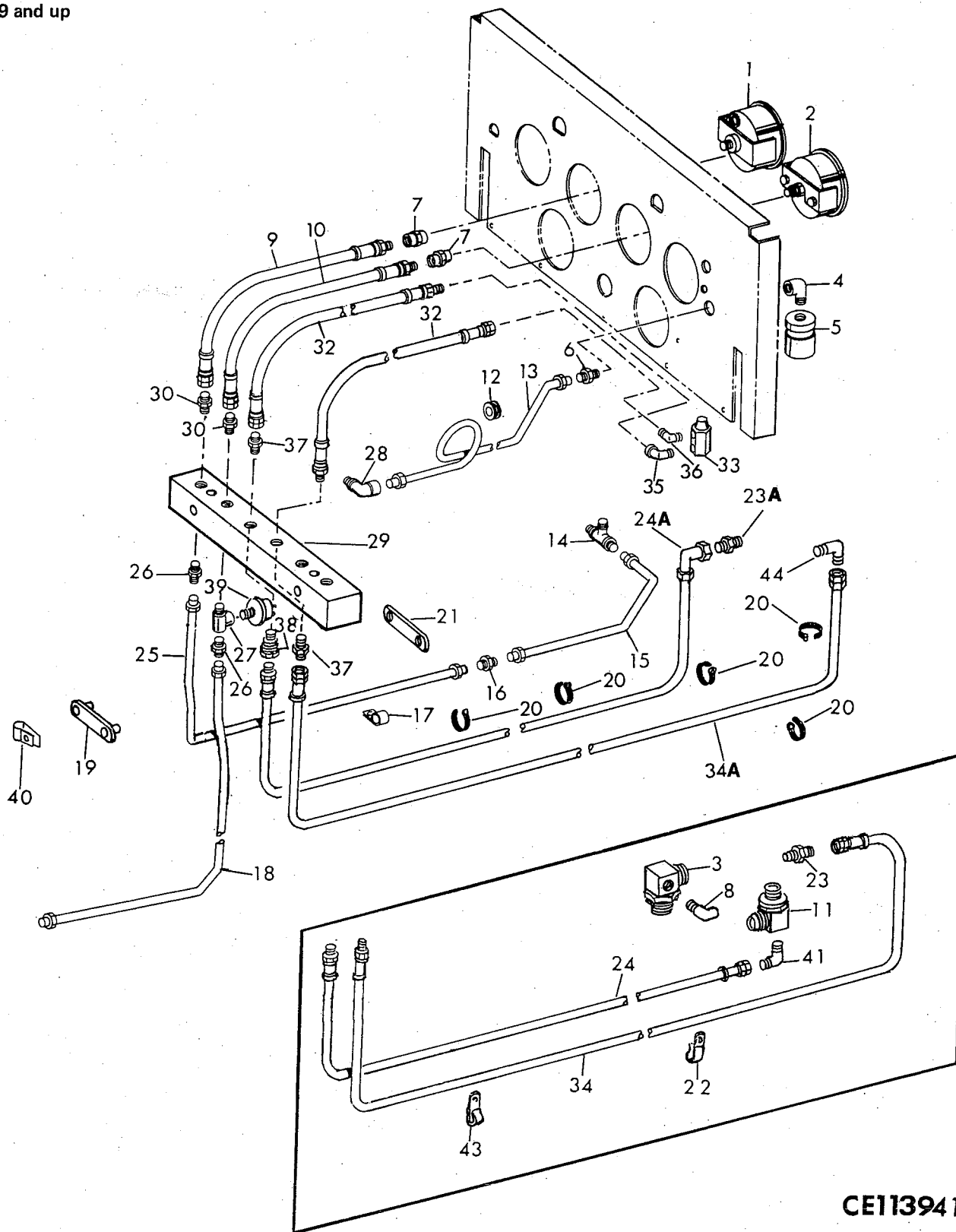
REF. NO.	PART NUMBER	DESCRIPTION	REF. NO.	PART NUMBER	DESCRIPTION
GAUGE PIPING — Continued Power Shift 3598 and below Manual Shift 501 and up Custom Application 501 and up			23	66 362 D	CLAMP, pressure gauge tube (2) (Manual Shift 800 and below) (Power Shift 2731 and below)
9	651 800 C1	HOSE w/FITTINGS, clutch oil pressure gauge to junction block (HOSE, 3/16" ID x 9-1/2" long including FITTINGS) (For Power Shift)		25 222 R1 115 109 25 519 R1	SCREW, hex-hd cap WASHER, lock NUT
10	651 800 C1	HOSE w/FITTING, engine oil pressure gauge to junction block (HOSE, 3/16" ID x 9-1/2" long including FITTINGS)	24	650 922 C91	TUBE w/two NUT, 915 499 R1, and two SLEEVE, 915 500 R1, fuel oil pressure gauge (Manual Shift 2800 and below) (Power Shift 2731 and below)
11	651 800 C1	HOSE w/FITTINGS, fuel oil pressure gauge to junction block (3/16" ID x 9-1/2" long including FITTINGS) (Manual Shift 2800 and below) (Power Shift 2731 and below)		915 499 R1 915 500 R1	NUT, tube (2) SLEEVE, tube (2)
12	617 259 C1	GROMMET (On dash support)	25	650 920 C91	TUBE w/two NUT, 915 499 R1, and two SLEEVE, 915 500 R1, clutch oil pressure upper (For Power Shift)
13	650 925 C91	TUBE w/two NUT, 606 925 C1 and two SLEEVE, 606 926 C1, air cleaner indicator		915 499 R1 915 500 R1	NUT, tube (2) SLEEVE, tube (2)
	606 925 C1	NUT, tube (2)	26	606 885 C1	CONNECTOR, tube to junction block (2 for Manual Shift and Custom Applications) (3 for Power Shift)
	606 926 C1	SLEEVE, tube (2)	27	9 409 943	TEE, engine oil pressure switch
14	610 713 C1	TEE, clutch pressure (At test connection header block) (For Power Shift)	28	610 040 C1	ELBOW, air cleaner indicator tube (At air cleaner)
15	650 916 C91	TUBE w/two NUT, 915 499 R1 and two SLEEVE, 915 500 R1, clutch oil pressure lower (For Power Shift)	29	334 445 R1 25 485 R1 115 109	BLOCK, junction SCREW, hex-hd cap (2) WASHER, lock (2)
	915 499 R1	NUT, tube (2)	30	9 402 680	CONNECTOR, hose to junction block (2 for Manual Shift and Custom Applications) (3 for Power Shift)
	915 500 R1	SLEEVE, tube (2)		702 093 C1	STRAP, TC hoses and capillary tube retaining (Power Shift)
16	606 049 C1	CONNECTOR, pressure tubes (For Power Shift)		636 780 C91	ATTACHMENT, pressure filter indicator (For Power Shift) (See NOTE.3)
17	263 717 R1	CLIP, upper tube (On LH rear bolt of torque converter inspection cover) (For Power Shift)			(Consists of the following parts -
18	650 918 C91	TUBE w/two NUT, 915 499 R1 and two SLEEVE, 915 500 R1, engine oil pressure gauge			1 BRACKET 715 765 C1
	915 499 R1	NUT, tube (2)			2 CONNECTOR 9 402 706
	915 500 R1	SLEEVE, tube (2)			1 CLIP 362 666 R1
19	278 834 R21	CLAMP w/two PIN, 19 387 R1, tube			1 CLIP 616 282 C1
	19 387 R1	PIN, slotted spring (2)			1 DRAWING CZG-3126
	25 483 R1	SCREW, hex-hd cap (2)			2 ELBOW 666 280 C1
	115 109	WASHER, lock (2)			2 ELBOW 9 402 862
20	606 885 C1	CONNECTOR, fuel pressure gauge tube (Manual Shift 2800 and below) (Power Shift 2731 and below)			1 GROMMET 115 329 R1
					2 HOSE 715 766 C1
					1 INDICATOR 715 647 C1
					2 NUT 25 519 R1
					1 PRODUCT-GRAPHIC 715 896 C1
					2 SCREW 25 483 R1
					2 SCREW 26 673 R1
21	278 836 R2	PAD, tube clamp			6 STRAP 306 132 C1
22	341 660 R1	CUSHION, tube clamp (2) (Manual Shift 2800 and below) (Power Shift 2731 and below)			2 WASHER 115 109
					6 WASHER 25 551 R1
					2 WASHER 715 753 C1

NOTE 3: Field Application - Order through Regular Service Parts Channels.

INSTRUMENTS

REF. NO.	PART NUMBER	DESCRIPTION	REF. NO.	PART NUMBER	DESCRIPTION
----------	-------------	-------------	----------	-------------	-------------

GAUGE PIPING
Power Shift
3599 and up



CE113941A

INSTRUMENTS

REF. NO.	PART NUMBER	DESCRIPTION	REF. NO.	PART NUMBER	DESCRIPTION
GAUGE PIPING — Continued			16	606 049 C1	CONNECTOR, pressure tubes
Power Shift			17	263 717 R1	CLIP, upper tube (On LH rear bolt of torque converter inspection cover)
3599 and up			18	650 918 C91	TUBE w/two NUT, 915 499 R1 and two SLEEVE, 915 500 R1, engine oil pressure gauge
1		GAUGE, clutch oil pressure (*)		915 499 R1	NUT, tube (2)
2		GAUGE, engine oil pressure (*)		915 500 R1	SLEEVE, tube (2)
3		ELBOW, transmission pressure filter outlet (Refer to "TORQUE CONVERTER and TRANSMISSION PIPING, 4229 and below" # and below	19	278 834 R21	CLAMP w/two PIN, 19 387 R1, tube
4		ELBOW, filter indicator (*)		19 387 R1	PIN, slotted spring (2)
5		INDICATOR, air cleaner filter (*)		25 483 R1	SCREW, hex-hd cap (2)
6	606 999 C1	CONNECTOR, filter indicator elbow		115 109	WASHER, lock (2)
7	444 094	CONNECTOR, gauge (2)	20	306 132 C1	STRAP, indicator hose 3599 to 4229 (1) 4230 and up (5)
8	9 409 931	ELBOW, transmission pressure filter outlet 3599 to 3801	21	278 836 R2	PAD, tube clamp
9	651 800 C1	HOSE w/FITTINGS, clutch oil pressure gauge to junction block (HOSE, 3/16" ID x 9-1/2" long including FITTINGS) 4576 and below	22	616 282 C1	CLIP, hose (On rear mounting bolt on decelerator pedal mounting bracket) 3599 to 4229
9	736 129 C1	HOSE w/FITTINGS, clutch oil pressure gauge to junction block (3/16 ID x 11" long including FITTINGS) 4577 and up	23	317 783 R1	CONNECTOR (On outlet side of filter base) 3802 to 4229
10	651 800 C1	HOSE w/FITTING, engine oil pressure gauge to junction block (HOSE, 3/16" ID x 9-1/2" long including FITTINGS) 4576 and below	23A	317 783 R1	CONNECTOR (On high of filter base) 4230 and up
10	736 129 C1	HOSE w/FITTINGS, engine oil pressure gauge to junction block (3/16 ID x 11" long including FITTINGS) 4577 and up	24	715 756 C1	HOSE, w/FITTINGS, inlet on filter to junction block (3/16" ID x 57" long including FITTINGS)
11		ELBOW, transmission pressure filter inlet (Refer to "TORQUE CONVERTER and TRANSMISSION PIPING 4229 and below")	24A	653 527 C1	HOSE w/FITTINGS, high in filter base to junction block (3/16 ID x 93" long including FITTINGS) 4230 and up
12	617 259 C1	GROMMET (On dash support)	25	650 920 C91	TUBE w/two NUT, 915 499 R1, and two SLEEVE, 915 500 R1, clutch oil pressure upper
13	650 925 C91	TUBE w/two NUT, 606 925 C1 and two SLEEVE, 606 926 C1, air cleaner indicator		915 499 R1	NUT, tube (2)
	606 925 C1	NUT, tube (2)		915 500 R1	SLEEVE, tube (2)
	606 926 C1	SLEEVE, tube (2)	26	606 885 C1	CONNECTOR, tube to junction block (3)
14	610 713 C1	TEE, clutch pressure (At test connection header block)	27	9 409 943	TEE, engine oil pressure switch
15	650 916 C91	TUBE w/two NUT, 915 499 R1 and two SLEEVE, 915 500 R1, clutch oil pressure lower		OR	TEE, engine oil pressure switch
	915 499 R1	NUT, tube (2)		OR	TEE, engine oil pressure to switch
	915 500 R1	SLEEVE, tube (2)	28	610 040 C1	ELBOW, air cleaner indicator tube (At air cleaner)
			29	275 131 R1	BLOCK, junction
				25 485 R1	SCREW, hex-hd cap (2)
				115 109	WASHER, lock (2)

(*) - Refer to "Instrument Panel and Gauges."

INSTRUMENTS

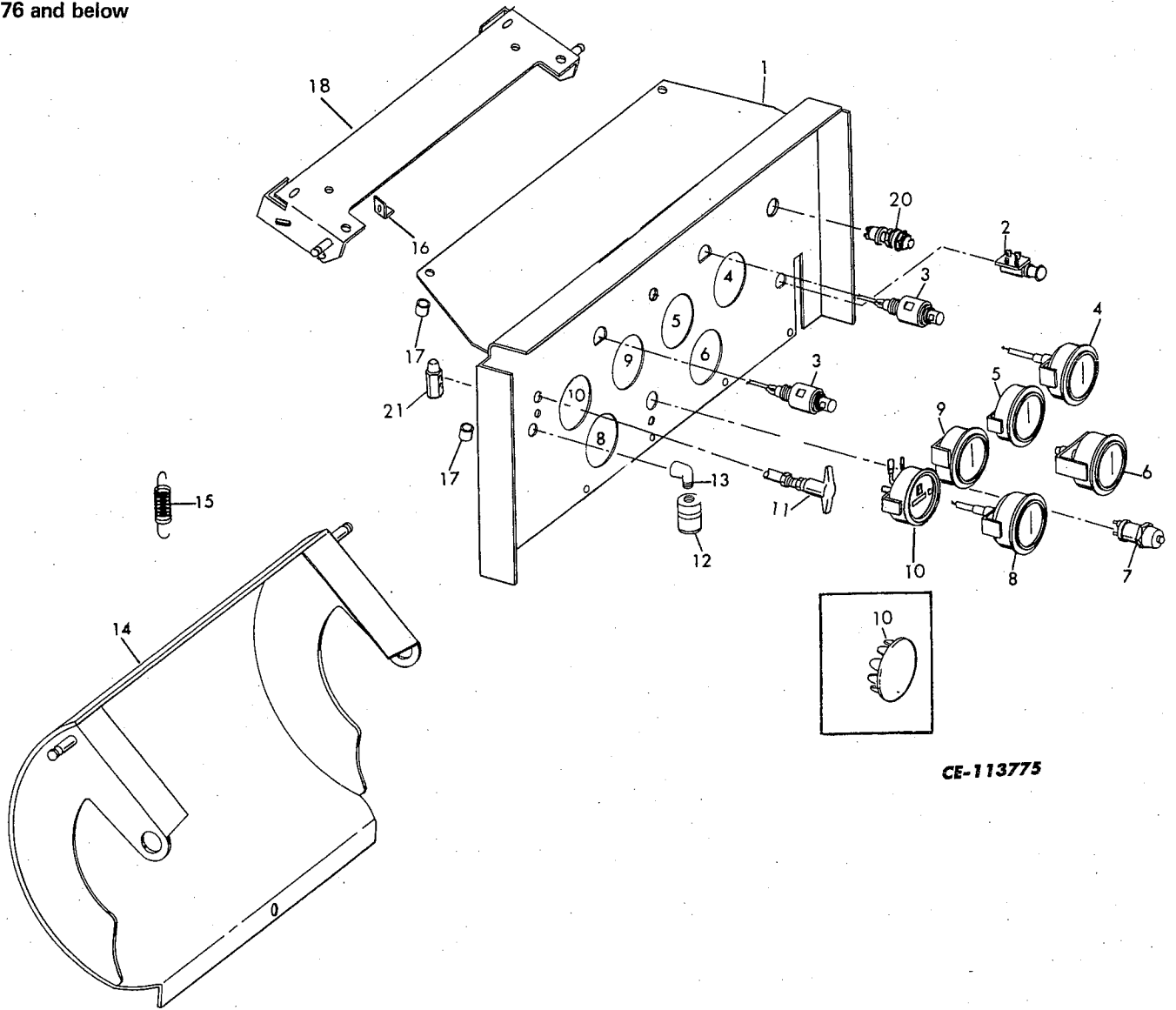
REF. NO.	PART NUMBER	DESCRIPTION	REF. NO.	PART NUMBER	DESCRIPTION
GAUGE PIPING — Continued Power Shift 3599 and up			43	363 660 R1	CLIP, hose (On second bolt down on LH side of Torque Converter housing flange (2) 3599 to 4229
30	9 402 706	CONNECTOR, hose to junction block (3)	44	346 737 R1	ELBOW, filter head low pressure 4230 and up
31		FITTING, hose (Not furnished separately) (3)			
32	740 285 C1	HOSE, w/FITTINGS, transmission pressure filter indicator to junction block (3/16" ID x 11-1/2" long including FITTINGS) (2)	702 093 C1		STRAP, TC hoses and capillary tube retaining
			399 657 R1		CLIP, capillary mounting (On breather tube front mounting bolt)
33	715 647 C1	INDICATOR, transmission pressure filter	103 213 H		CLIP, capillary mounting (On center bolt of lube filter manifold)
	715 753 C1	WASHER, insulator	366 460 R1		CLIP (On top RH bolt of Torque Converter housing)
	25 542 R1	WASHER, hardened			
	26 673 R1	BOLT, torque (2)			
34	653 532 C1	HOSE, w/FITTINGS, outlet in filter base to junction block (3/16" ID x 66" long including FITTINGS) 3599 to 4229	263 514 R91		CLIP, temp. gauges (On top RH instrument support mounting bolt and mtg on operator sides)
34	715 756 C1	HOSE, w/FITTINGS, filter outlet elbow to junction block (3/16" ID x 57" long including FITTINGS) 3599 to 4229	300 920 R1		CLIP, capillary mounting (On RH side of bottom angle of dash support)
34A	732 496 C1	HOSE w/FITTINGS, low in filter base to junction block (3/16 ID x 102" long including FITTINGS) 4230 and up			
35	9 402 823	ELBOW, transmission pressure filter indicator (low)			
36	9 409 927	ELBOW, transmission pressure filter indicator (high)			
37	9 402 706	CONNECTOR (2)			
38	294 134 R1	ADAPTER			
39	663 392 C1	SWITCH, engine oil pressure (external ground) (for use w/pressure switch ground cable) # and below			
39	610 288 C92	SWITCH, engine oil pressure (internal ground) (not used w/pressure switch ground cable) # and up			
40	362 666 R1	CLIP, on instrument tubes clamp			
41	9 402 862	ELBOW, transmission pressure filter inlet 3599 to 4229			

- Serial Number Not Available.

INSTRUMENTS

REF. NO.	PART NUMBER	DESCRIPTION	REF. NO.	PART NUMBER	DESCRIPTION
----------	-------------	-------------	----------	-------------	-------------

INSTRUMENT PANEL AND GAUGES 4576 and below



1	650 548 C3	PANEL, instrument	6	651 688 C2	VOLTMETER (3387 and up, also 3386 and below equipped w/Cab)
2		SWITCH, lighting (Refer to "Lighting Switch")	6	702 284 C1	AMMETER (3386 and below not equipped w/Cab)
3		LAMP, instrument panel (Refer to "Electric Starting and Lighting") (2)	7		SWITCH, starting (Refer to "Starting Switch")
4	619 674 C91	GAUGE, torque converter oil temperature (For Power Shift)	8	702 222 C1	GAUGE, engine water temperature
4	432 577	PLUG (For Manual Shift and Custom Applications)	9	713 167 C1 OR	GAUGE, engine oil pressure
5	706 005 C1	GAUGE, clutch oil pressure (For Power Shift)	9	706 003 C1	GAUGE, engine oil pressure
5	432 577	PLUG (For Manual Shift)	10	663 407 C1	GAUGE, fuel oil pressure (Gear Drive 1800 and below) (Power Shift 1731 and below)

INSTRUMENTS

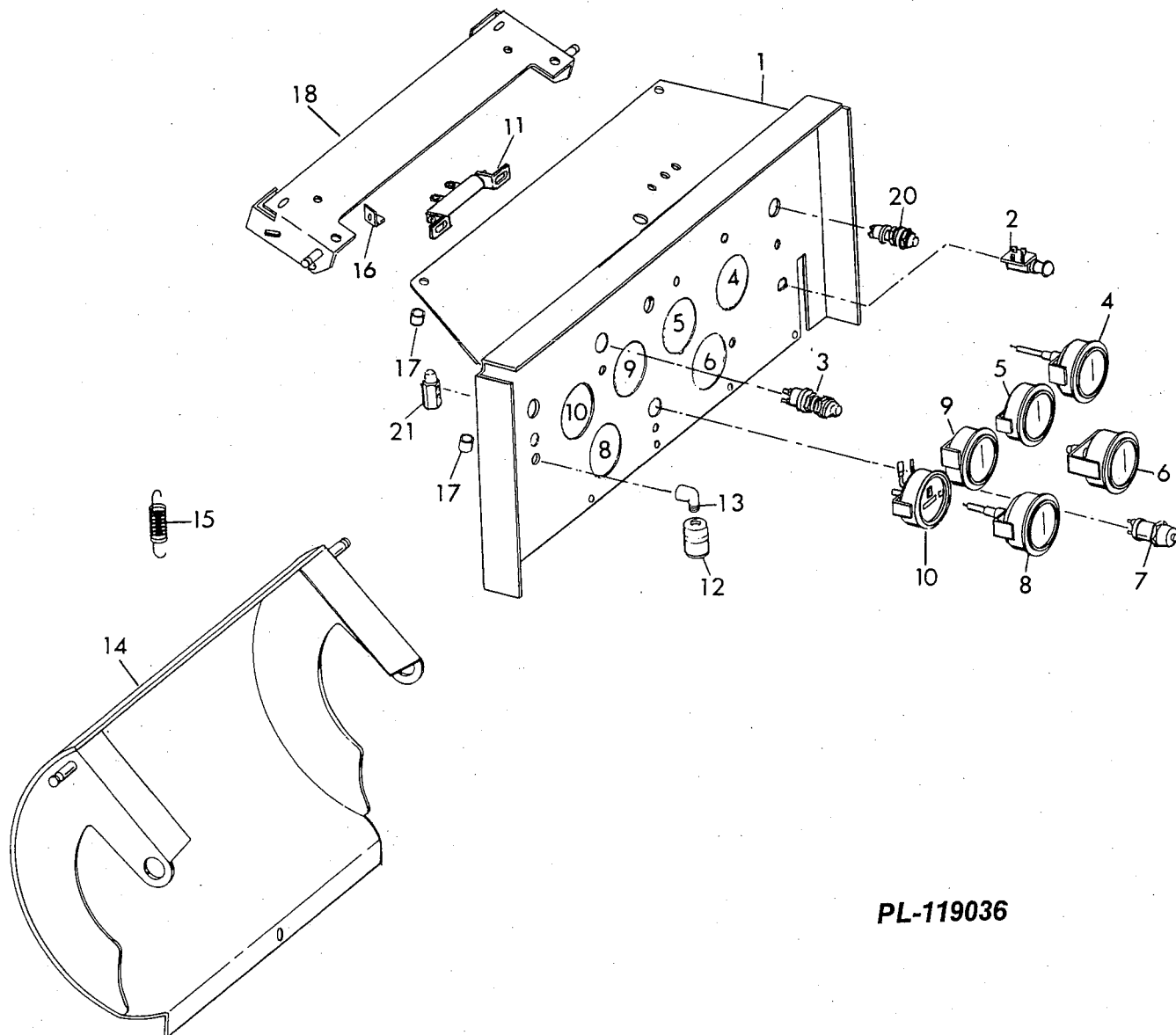
REF. NO.	PART NUMBER	DESCRIPTION	REF. NO.	PART NUMBER	DESCRIPTION
INSTRUMENT PANEL AND GAUGES – Continued					
4576 and below					
10	142 016	PLUG, instrument panel (Gear Drive 2801 to 3336) (Power Drive 2732 to 3336)		432 498 OR 142 142	PLUG, instrument panel button PLUG, instrument panel button (3/8") (When not equipped w/ Manual Ether Injection)
10	OR 432 453	PLUG, instrument panel (Gear Drive 2801 to 3336) (Power Drive 2732 to 3336)		650 864 C1	PLUG, instrument panel button (When not equipped w/Electric Ether Injector) # and up
10	709 145 C2	HOURMETER			
10	OR 715 916 C1	3337 and up HOURMETER	21	715 647	INDICATOR, transmission pressure filter 3599 and up
11		CABLE w/KNOB, ether injector control (Refer to "Ether Injector – Manual") (Part of Ether Injector Attachment) # and below			
12	366 078 C1	INDICATOR, air cleaner filter			
13	444 476 21 872 R1	ELBOW, 90° filter indicator WASHER, flat			
14	650 553 C2 25 526 R1 26 316 R1 25 536 R1	GUARD, instrument panel (Not used on machines equipped w/CAB) NUT (2) BOLT, patch (2) WASHER, hardened (2)			
15	651 524 C1	SPRING, instrument panel guard (Not used on machines equipped with CAB) (2)			
16	624 336 C1 24 840 R1 25 534 R1 178 551	STOP, instrument panel guard (Not used on machines equipped with CAB) (2) SCREW, hex-hd cap (2) WASHER, hardened (2) WASHER, int-ext tooth lock (2)			
17	702 439 C1 25 519 R1 115 109 178 521	MOUNTING, instrument panel vibration isolation (4) NUT (8) WASHER, lock (8) WASHER, int-ext tooth lock (8)			
18	650 621 C2 26 316 R1 25 536 R1 25 526 R1	BRACKET, panel and guard mounting SCREW, hex-hd cap (6) WASHER, hardened (6) NUT (6)			
20		SWITCH, ether (Refer to "Ether Injector – Electric") # and up			

- Serial Number Not Available

INSTRUMENTS

REF. NO.	PART NUMBER	DESCRIPTION	REF. NO.	PART NUMBER	DESCRIPTION
----------	-------------	-------------	----------	-------------	-------------

INSTRUMENT PANEL AND GAUGES 4577 and up



PL-119036

1	740 360 C1	PANEL, instrument	5	668 496 C1	GAUGE, engine water temperature
				OR	
2		SWITCH, lighting (Refer to "Lighting Switch")	5	713 170 C1	GAUGE, engine water temperature
3		SWITCH, electric horn (Refer to "Electric Starting and Lighting")	6	715 691 C1	VOLTMETER
4	668 499 C1	GAUGE, torque converter oil temperature (For Power Shift)	7		SWITCH, starting (Refer to "Starting Switch")
4	432 577	PLUG (For Manual Shift and Custom Applications)	8	713 167 C1	GAUGE, engine oil pressure
				OR	
			8	706 003 C1	GAUGE, engine oil pressure

INSTRUMENTS

REF. NO.	PART NUMBER	DESCRIPTION	REF. NO.	PART NUMBER	DESCRIPTION
INSTRUMENT PANEL AND GAUGES —Continued					
4577 and up					
9	706 005 C1	GAUGE, clutch oil pressure (For Custom Applications)	650 864 C1		PLUG, instrument panel button (When not equipped w/Electric Ether Injector and Electric Horn) (2)
	OR				
9	715 668 C1	GAUGE, clutch oil pressure (For Custom Applications)	432 498		PLUG, instrument panel button
			OR		
9	432 577	PLUG, (For Manual Shift)	142 142		PLUG, instrument panel button (3/8") (When not equipped w/Manual Ether Injection)
10	709 145 C2	HOURMETER			
11	740 273 C1	RESISTOR	142 016		PLUG, button
	110 633	NUT (2)			
	110 487	SCREW (2)			
	106 497	WASHER (2)			
12	366 078 C1	INDICATOR, air cleaner filter			
13	444 476	ELBOW, 90° filter indicator			
	21 872 R1	WASHER, flat			
14	650 553 C2	GUARD, instrument panel (Not used on machines equipped w/CAB			
	25 526 R1	NUT (2)			
	26 316 R1	BOLT, patch (2)			
	25 536 R1	WASHER, hardened (2)			
15	346 019 R1	SPRING, instrument panel guard (Not used on machines equipped w/CAB) (2)			
16	624 336 C1	STOP, instrument panel guard (Not used on machines equipped w/CAB) (2)			
	24 840 R1	SCREW, hex-hd cap (2)			
	25 534 R1	WASHER, hardened (2)			
	178 551	WASHER, int-ext. tooth lock (2)			
17	702 439 C1	MOUNTING, instrument panel vibration isolation (4)			
	25 519 R1	NUT (8)			
	115 109	WASHER, lock (8)			
	178 521	WASHER, int-ext tooth lock (8)			
18	650 621 C2	BRACKET, panel and guard mounting			
	24 861 R1	SCREW, hex-hd cap (6)			
	116 121	WASHER, lock (6)			
	25 536 R1	WASHER, hardened (6)			
	25 526 R1	NUT (6)			
20		SWITCH, ether (Refer to "Ether Injector - Electric")			
21	715 647	INDICATOR, transmission pressure			

**REFER TO ALPHABETICAL INDEX
FOR COMPLETE LISTING OF PARTS**

POWER

12

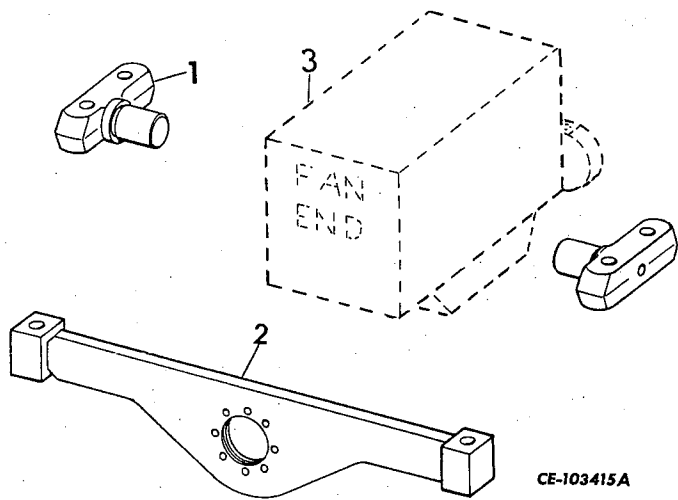
NOTE: This section does not contain engine service parts. For a list of engine service parts refer to Parts Catalog EPC-400.

POWER

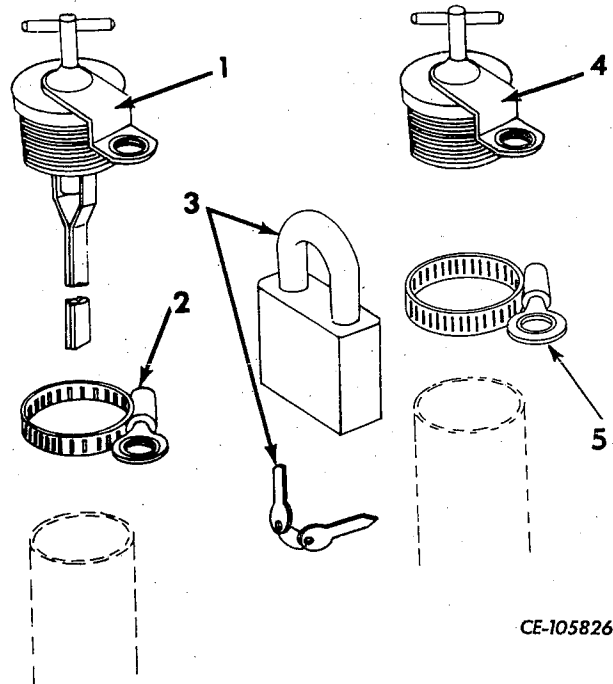
REF. NO.	PART NUMBER	DESCRIPTION
----------	-------------	-------------

REF. NO.	PART NUMBER	DESCRIPTION
----------	-------------	-------------

ENGINE MOUNTING



ENGINE OIL DIPSTICK AND FILLER CAP LOCK



1	657 350 C1 24 893 R1 26 068 R1	SHAFT, trunnion mounting (2) SCREW, hex-hd cap (4) WASHER, flat (4)
2	651 046 C1 347 756 R1 24 894 R1 63 115 D 26 068 R1	SUPPORT, front engine 4292 and below SCREW, 3/8" hex-hd cap (2) SCREW, 3/4" hex-hd cap (2) WASHER, hardened (8) WASHER, .812 x 1.5 x .179" thick (2)
2		SUPPORT, front engine (Refer to Parts Catalog EPC-400B) 4293 and up
3		ENGINE (For service parts on DT-466 engine - refer to Parts Catalog EPC- 400; For service parts on DT-466B engine - refer to Parts Catalog EPC- 400B)

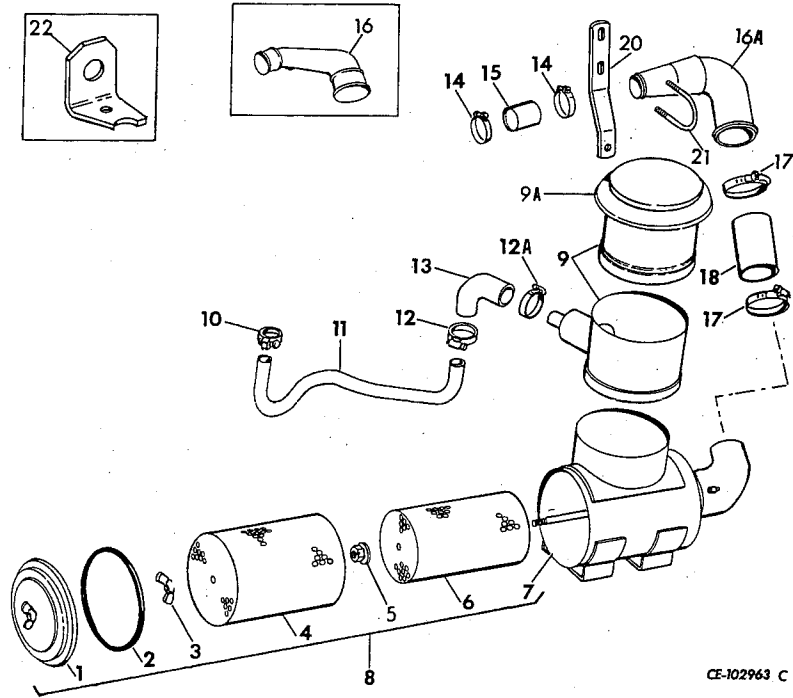
A	636 795 C91	ATTACHMENT, engine oil level dip- stick and oil filler cap lock (For use on 1-5/8" ID oil filler tube) (See NOTE 3)
B	632 161 C91	ATTACHMENT, engine oil level dipstick and oil filler cap lock (For use on 2" ID oil filler tube) (See NOTE 3) (Consists of -
1	683 131 C1	DIPSTICK, oil level
2	703 459 C1	CLAMP, oil level dipstick lock (Replaces 623 761 C1)
3	650 382 C91	PADLOCK w/KEYS (2)
4	688 090 C91	CAP, oil filler (A)
4	683 350 C91	CAP, oil filler (B)
5	688 091 C91	CLAMP, oil filler lock (A)
5	703 460 C1	CLAMP, oil filler lock (B)

NOTE 3 — Field Application - Order through Regular Parts Channels.

POWER

REF. NO.	PART NUMBER	DESCRIPTION	REF. NO.	PART NUMBER	DESCRIPTION
----------	-------------	-------------	----------	-------------	-------------

AIR CLEANER AND CONNECTIONS (Donaldson)



CE-102963 C

1	627 936 C91	COVER ASSY w/GASKET, 630 691 C1, element	11	680 691 C2	TUBE, aspirator
2	630 691 C1	GASKET, cover seal		661 128 C2	SEAL, aspirator tube 3045 AND UP
3	634 859 C1	WING NUT, primary element (Replaces 412 078 C2)	12	279 027 R91	CLAMP, aspirator hose (2) 3044 AND BELOW
4	627 934 C1	ELEMENT, air cleaner primary	12	681 207 C1	CLAMP, aspirator hose 3045 AND UP
5	634 858 C1	LOCKNUT, safety element (Replaces WINGNUT 412 078 C1)	12A	27 337 R1	CLAMP, aspirator hose 3045 AND UP
	189 796	PIN, cotter (Not required when LOCKNUT 634 858 C1 is used to replace WINGNUT 412 078 C1)	13	680 528 C1	HOSE, aspirator (At pre-cleaner) 3044 AND BELOW
6	627 935 C1	ELEMENT, air cleaner safety	13	686 792 C1	HOSE, aspirator 3045 AND UP
7		BODY (Not furnished separately)	14	690 068 C1	CLAMP, (Replaces, 683 402 C1) turbo-charger inlet hose (2)
8	674 433 C92	CLEANER ASSY., air	15	690 018 C1	HOSE, elbow to turbocharger inlet
	24 840 R1	SCREW, hex-hd cap (4)	16	673 784 C2	ELBOW, air cleaner outlet (Order the following parts -
	115 093	WASHER, lock (4)			1 BOLT 101 896 R1
9	653 243 C91	PRECLEANER, air			1 CLAMP 538 150 R1
9A	630 722 C91	PRECLEANER, hood			1 ELBOW 689 447 C1
10	681 797 C1	CLAMP, aspirator (At muffler)			1 EYE 675 455 C1
	25 522 R1	NUT			2 NUT 9 413 979
	140 483 H	SCREW, hex-hd cap			1 SUPPORT 690 176 C1
	115 093	WASHER, lock			3 WASHER 25 896 R1
11	681 799 C1	TUBE, aspirator (Order TUBE, 680 691 C2, HOSE, 686 792 C1 and (2) CLAMPS, 681 209 C1			1 WASHER 115 093
				24 842 R1	SCREW, hex-h cap
				115 093	WASHER, lock
				103 341	WASHER, flat

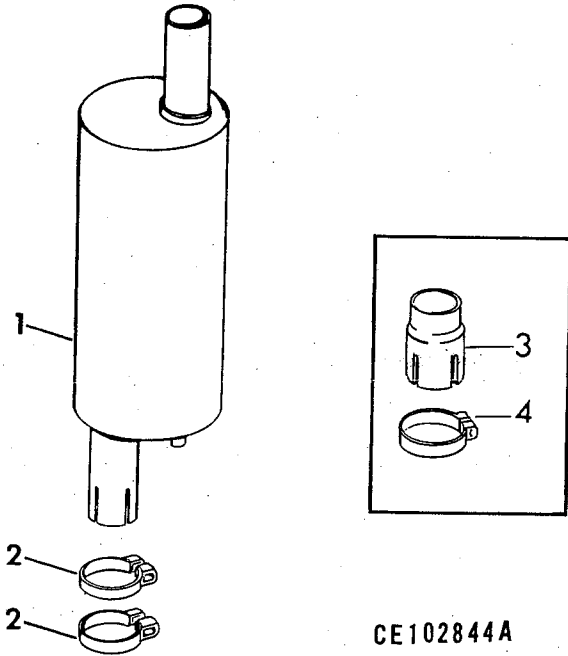
POWER

REF. NO.	PART NUMBER	DESCRIPTION	REF. NO.	PART NUMBER	DESCRIPTION
AIR CLEANER AND CONNECTIONS —Continued (Donaldson)					
16A	689 447 C1	ELBOW, air cleaner outlet			
17	690 069 C1	CLAMP (Replaces, 23 179 C1) outlet hose (2)			
18	690 098 C1	HOSE, (Replaces, 334 129 R1) air cleaner outlet (At air cleaner)			
20	690 176 C1	SUPPORT, air outlet pipe (Used w/ ELBOW, 689 447 C1)			
21	538 150 R1	CLAMP, "U" bolt (Used w/ELBOW, 689 447 C1)			
	9 413 979	NUT (2)			
	25 896 R1	WASHER, hardened (2)			
22	675 455 C1	EYE, lifting			

POWER

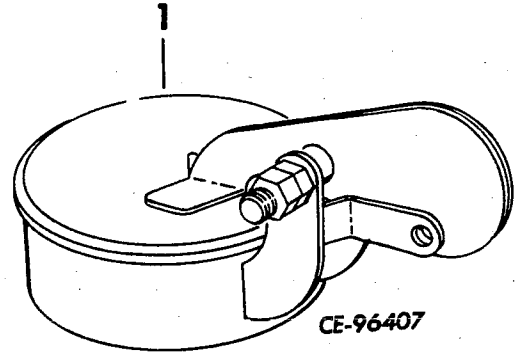
REF. NO.	PART NUMBER	DESCRIPTION	REF. NO.	PART NUMBER	DESCRIPTION
----------	-------------	-------------	----------	-------------	-------------

EXHAUST SYSTEM



CE102844A

LOCKABLE EXHAUST RAIN CAP



628 166 C91 ATTACHMENT, lockable exhaust rain cap (See NOTES 1 and 3)
(Consists of -

1 650 429 C92 CAP, lockable exhaust rain

1	680 690 C4	MUFFLER, exhaust
2	674 502 C1	CLAMP, exhaust muffler (2)
	25 522 R1	NUT (2)
	25 500 R1	SCREW, hex-hd cap (2)
	115 093	WASHER, lock (2)
	25 544 R1	WASHER, flat (4)
3	710 014 C2	PIPE, exhaust extension
4	649 563 C1	CLAMP, exhaust extension
	710 013 C91	ATTACHMENT, exhaust pipe extension (Machine must be equipped with AIR CONDITIONER-HEATER) (Also part of PACKAGE, 710 461 C91) (See NOTE 3) (Consists of PIPE, 710 014 C2 and CLAMP, 649 563 C1)

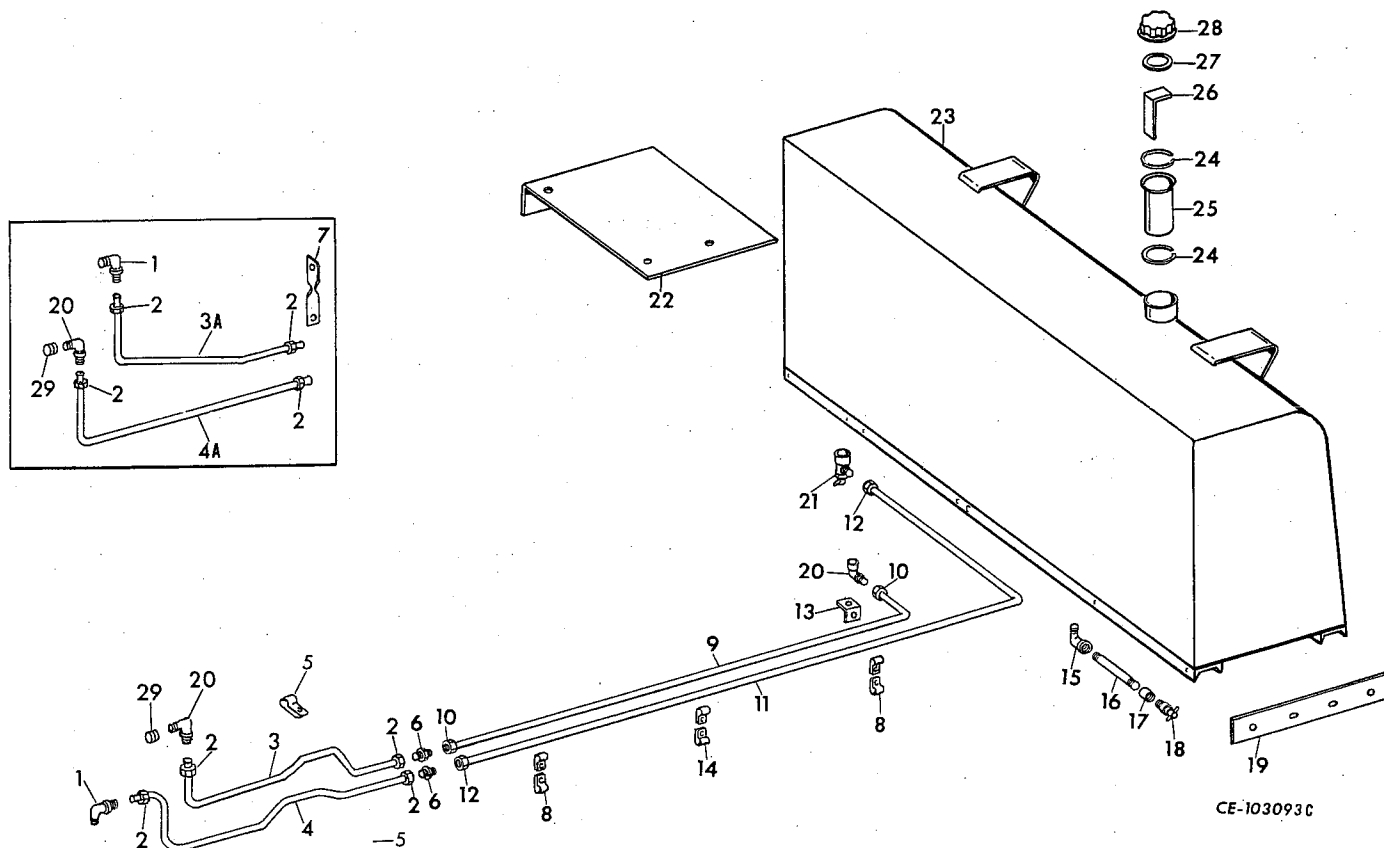
NOTE 1 - Factory Application - Order on Machine Order Form.

NOTE 3 - Field Application - Order through Regular Parts Channels.

POWER

REF. NO.	PART NUMBER	DESCRIPTION	REF. NO.	PART NUMBER	DESCRIPTION
----------	-------------	-------------	----------	-------------	-------------

FUEL TANK, FUEL PIPES AND RELATED PARTS



1	606 845 C1	ELBOW, supply tube front (At engine)	6	603 867 C1	UNION, fuel supply and return tubes (2)
2	265 205 R1 265 204 R1	NUT (4) SLEEVE (4)	7	651 267 C1	BRACKET, front fuel tube clip (Mount on platform support channel) (Used w/TUBES 651 405 C91 and 651 406 C91)
3	710 592 C91	TUBE, w/two NUT 265 205 R1 and two SLEEVE 265 204 R1, front fuel supply		25 522 R1 24 839 R1 115 093	NUT SCREW, hex-hd cap WASHER, lock
3A	651 405 C91	TUBE, w/two NUT 265 205 R1 and two SLEEVE 265 204 R1 front fuel supply (Order TUBE 710 592 C91 and two CLAMP 299 609 C1)	8	327 071 R1	CLIP, fuel tube (Order CLAMP 299 404 C1) (6)
4	710 590 C91	TUBE, w/two NUT 265 205 R1 and two SLEEVE 265 204 R1, front fuel return		25 522 R1 24 839 R1 115 093	NUT (3) BOLT (3) WASHER, lock (3)
4A	651 406 C91	TUBE, w/two NUT 265 205 R1 and two SLEEVE 265 204 R1, front fuel return (Order TUBE 710 590 C91 and two CLAMP 299 609 C1)	8	299 404 C1 25 522 R1 24 839 R1 115 093	CLAMP, fuel tube (4) NUT (2) BOLT (2) WASHER, lock (2)
5	299 609 C1	CLAMP, tube (Used w/TUBES 710 590 C91 and 710 592 C91) (2)	9	651 404 C91	TUBE w/two NUT, 265 205 R1 and two SLEEVE, 265 204 R1, fuel return

POWER

REF. NO.	PART NUMBER	DESCRIPTION	REF. NO.	PART NUMBER	DESCRIPTION
FUEL TANK, FUEL PIPES AND RELATED PARTS - Continued					
10	265 205 R1 265 204 R1	NUT (2) SLEEVE (2)	23	628 412 C91	TANK, fuel (Custom Application) 1492 and below (Composed of - 1 CAP 701 922 C2 1 COVER 341 923 R1 1 DIPSTICK 611 409 C1 2 RING 317 943 R1 1 STRAINER 624 478 C1 § 1 TANK)
11	651 403 C91	TUBE w/two NUT, 265 205 R1, and two SLEEVE, 265 204 R1, rear fuel supply			
12	265 205 R1 265 204 R1	NUT (2) SLEEVE (2)	23	629 705 C92	TANK, fuel (Custom Application) 1493 and up (Composed of - 1 CAP 701 922 C2 1 DIPSTICK 611 409 C1 2 RING 317 943 R1 1 STRAINER 624 478 C1 § 1 TANK)
13	651 266 C1	BRACKET, fuel tube clip (Mount on planetary inspection cover)			
14	327 071 R1	CLIP, fuel tube (For Power Shift) (2)			
15	454 104	ELBOW, fuel tank drain			
16	190 699	PIPE, fuel tank drain			
17	187 396	COUPLING, tank drain valve	25 530 R1 25 693 R1 25 844 R1 25 549 R1 285 048 R1		NUT (2) SCREW, 2" long hex-hd cap (2) SCREW, 1-3/4" long hex-hd cap (6) WASHER, hardened SHIM, fuel tank mounting (x)
18	31 729 D	VALVE, drain			
19	341 923 R1 24 839 R1 115 093 25 534 R1	COVER, LH fuel tank support 1492 and below SCREW, hex-hd cap (2) WASHER, lock (2) WASHER, flat (2)	24	317 943 R1	RING, fuel strainer snap (2)
20	333 774 R1	ELBOW, fuel tube (2)	25	624 478 C1	STRAINER, fuel
21	650 443 C92	VALVE, fuel shut-off	26	611 409 C1	STICK, fuel tank dip
22	334 753 R1 25 522 R1 24 840 R1 115 093 103 341	COVER, RH fuel tank support (For Manual Shift and Power Shift) (Not used w/Hydraulic Control Unit) NUT (3) SCREW, hex-hd cap (3) WASHER, lock (3) WASHER, flat (3)	27	618 688 C2	GASKET, fuel tank cap
			28	701 922 C2	CAP w/GASKET, 618 688 C2, fuel tank
23	628 413 C91	TANK, fuel (Manual Shift and Power Shift) 1492 and below (Composed of - 1 CAP 701 922 C2 1 COVER 341 923 R1 1 DIPSTICK 611 409 C1 2 RING 317 943 R1 1 STRAINER 624 478 C1 § 1 TANK)	29	120 286	NIPPLE, pipe (At engine)
				104 937	CORK, No. 1 (Rear lamp bracket mounting bolt holes) (8)
23	629 704 C92	TANK, fuel (Manual Shift and Power Shift) 1493 and up (Composed of - 1 CAP 701 922 C2 1 DIPSTICK 611 409 C1 2 RING 317 943 R1 1 STRAINER 624 478 C1 § 1 TANK)			

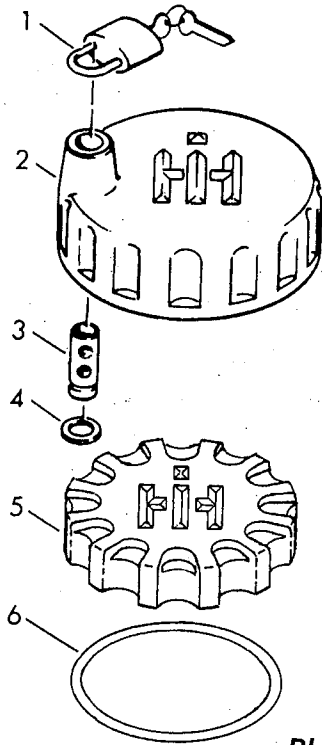
§ - Not Furnished Separately.

(x) - As Required.

POWER

REF. NO.	PART NUMBER	DESCRIPTION	REF. NO.	PART NUMBER	DESCRIPTION
----------	-------------	-------------	----------	-------------	-------------

FUEL AND HYDRAULIC LOCKING CAP



PL-116433

	628 156 C91	CAP, outer locking (Part of ATTACHMENT, 632 168 C91 and 636 797 C91)
1	650 382 C91	PADLOCK, w/keys
2	618 825 C2	CAP, outer locking
3	618 826 C2	PIN
4	23 221 R1	RING, retaining
5		CAP (Not part of CAP, 628 156 C91) (Refer to "FUEL TANK AND CONNECTIONS" or "HYDRAULIC EQUIPMENT RESERVOIR")
6	309 056 R1	RING, retaining

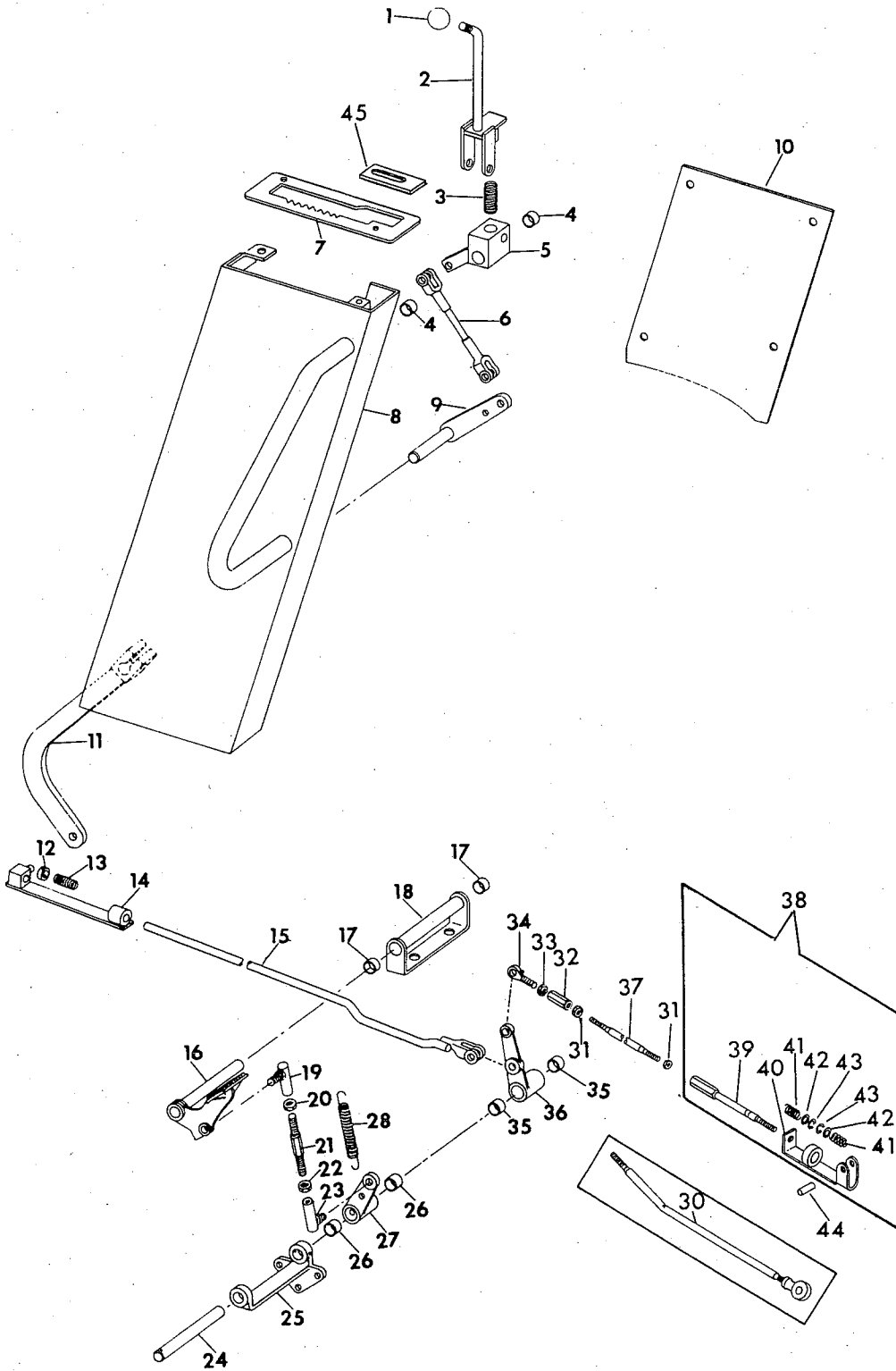
POWER

REF. NO.	PART NUMBER	DESCRIPTION	REF. NO.	PART NUMBER	DESCRIPTION
-------------	----------------	-------------	-------------	----------------	-------------

MEMORANDA

POWER

ENGINE CONTROLS (For Manual Shift and Custom Application)



CE103107B

POWER

REF. NO.	PART NUMBER	DESCRIPTION	REF. NO.	PART NUMBER	DESCRIPTION
ENGINE CONTROLS — Continued (For Manual Shift and Custom Application)			18	650 110 C92	SUPPORT w/two BUSHING, 327 465 R1, decelerator pedal
				24 840 R1	SCREW, hex-hd cap (2)
				115 093	WASHER, 3/8" lock (2)
				106 263	WASHER, 7/16" lock (2)
1	264 097 R2	KNOB, throttle control hand lever	19	702 131 C1	JOINT, decelerator rod upper
2	651 096 C1	LEVER, throttle control hand		25 527 R1	NUT
	88 924 H	PIN, rod end (Hand lever to throttle hub)		25 536 R1	WASHER, lock
	103 343	WASHER, flat	20	25 922 R1	NUT, jam
	108 630	PIN, cotter	21	651 081 C1	ROD, decelerator (Used w/DT-466 Engine)
3	382 306 R1	SPRING, hand lever tension	21	711 901 C1	ROD, decelerator (Used w/DT-466B Engine)
4	298 216 R1	BUSHING, hub pivot (2)	22	26 010 R1	NUT, jam (LH thread)
5	624 707 C91	HUB w/two BUSHING, 298 216 R1, throttle	23	653 873 C1	JOINT, decelerator rod lower
	103 346	WASHER, flat		125 996	NUT, (LH thread)
	269 181 R1	RING, external snap		103 323	WASHER, lock
6	651 099 C1	LINK, throttle	24	653 342 C1	SHAFT, lever pivot
	103 496	PIN, 3/8" (2)		553 686 R1	PIN, 3/16 x 1/2" roll
	103 373	PIN, 3/32" (2)	25	624 722 C1	BRACKET, governor control and decelerator lever
7	624 702 C3	GATE, throttle control guide (Replaces 651 083 C1)		25 536 R1	NUT (3)
	25 222 R1	SCREW, hex-hd cap (2)		24 862 R1	SCREW, hex-hd cap (3)
	115 109	WASHER, lock (2)		116 121	WASHER, lock (3)
	103 339	WASHER, flat (2)	26	298 216 R1	BUSHING, decelerator lever (2)
8	651 101 C1	TOWER, throttle control	27	628 230 C91	LEVER, w/two BUSHING, 298 216 R1 decelerator (Used w/DT-466 Engine)
	24 840 R1	SCREW, hex-hd cap (4)		120 613	NUT, jam
	25 534 R1	WASHER, flat (3)		12 496 R1	SCREW, oval point set
	115 093	WASHER, lock (4)		109 461	FITTING, decelerator lever lubrication
9	624 711 C2	LEVER w/SHAFT, pivot	27	733 100 C91	LEVER w/two BUSHING, 298 216 R1 decelerator (Used w/DT-466B Engine)
10	651 105 C1	PLATE, control tower side		120 613	NUT, jam
	26 099 R1	SCREW, hex-hd cap (4)		28 232 R1	SCREW, hex soc.
	115 093	WASHER, lock (4)		109 461	FITTING, decelerator lever lubrication
11	651 091 C1	LEVER, throttle (Manual Shift)	28	351 210 R1	SPRING, decelerator lever
11	651 093 C1	LEVER, throttle (Custom Application)	30	717 064 C1	ROD, governor control front (Used w/DT-466 Engine)(Replaces, 651 361 C2)
	124 549	KEY, Woodruff		25 931 R1	NUT (2)
	18 526 R1	NUT		115 109	WASHER, lock (2)
	24 851 R1	SCREW, hex-hd cap		709 153 C1	BOLT, shouldered (2)
12	331 150 R1	COLLAR, stop	31	25 931 R1	NUT (2 for ROD, 670 934 R1)
	142 507	PIN, groove	32	668 131 C2	TURNBUCKLE
	651 129 C1	SPACER, throttle lever	33	455 332	NUT, (LH thread)
13	661 865 C1	SPRING (Used w/DT-466 Engine)	34	706 099 C1	END, rear spherical bearing rod
13	712 033 C1	SPRING (Used w/DT-466B Engine)	35	298 216 R1	BUSHING (2)
14	318 581 R92	TRUNNION			
	103 498	PIN, 1/2" rod end			
	103 385	PIN, 1/8" cotter (2)			
	103 343	WASHER, flat			
	114 496	NUT, jam			
15	651 065 C1	ROD, rear governor control			
16	651 060 C2	PEDAL, decelerator foot			
	324 653 R1	RING, pedal snap			
	355 476 R1	WASHER, pedal			
17	327 465 R1	BUSHING, decelerator pedal pivot (2)			

POWER

REF. NO.	PART NUMBER	DESCRIPTION	REF. NO.	PART NUMBER	DESCRIPTION
ENGINE CONTROLS — Continued (For Manual Shift and Custom Application)					
36	628 232 C92	LEVER w/two BUSHING, 298 216 R1, governor control throttle	629 458 C91		ATTACHMENT, decelerator (For Manual Shift and Custom Application) (See NOTE 3) 4292 and below
	109 461	FITTING, throttle lever lubrication			(Consists of -
				1 FITTING	109 461
37	733 098 C1	ROD, governor control front (Used w/DT-466B Engine)		1 JOINT	653 873 C1
	25 485 R1	BOLT, 1-1/4" long		1 JOINT	702 131 C1
	25 483 R1	BOLT, 1" long		1 LEVER	628 230 C91
	25 519 R1	NUT		1 PEDAL	651 060 C2
				1 PLATFORM	651 088 C1
				1 ROD	651 081 C1
38	670 933 C91	TRUNNION ASSY., (Used w/DT-466B Engine)		1 SPRING	351 210 R1
		(Composed of -		1 SUPPORT	650 110 C92)
		2 RING 23 697 R1	679 227 C91		ATTACHMENT, decelerator (For Custom Application) (See NOTE 3) 4293 and up
		1 ROD 670 934 R1			(Consists of -
		2 SPRING 690 535 C1		1 JOINT	653 873 C1
		1 TRUNNION 670 936 C1		1 JOINT	702 131 C1
		2 WASHER 103 340)		1 LEVER	733 100 C91
39	670 934 C1	ROD ASSY., trunnion (Used w/DT-466B Engine)		1 PEDAL	651 060 C2
40	670 936 C1	TRUNNION (Used w/DT-466B Engine)		1 PLATFORM	651 081 C1
41	690 535 C1	SPRING, governor control (Used w/DT-466B Engine) (2)		1 RING	324 653 R1
42	103 340	WASHER, plain (Used w/DT-466B Engine) (2)		1 ROD	711 901 C1
43	23 697 R1	RING, retaining (Used w/DT-466B Engine) (2)		1 SPRING	351 210 R1
44	685 189 C1	SLEEVE, throttle linkage (Used w/DT-466B Engine)		1 SUPPORT	650 110 C92)
45	733 099 C1	PLATE, idle stop			
	25 483 R1	BOLT (3)			
	25 532 R1	WASHER, flat (3)			
	120 380	WASHER, lock (3)			

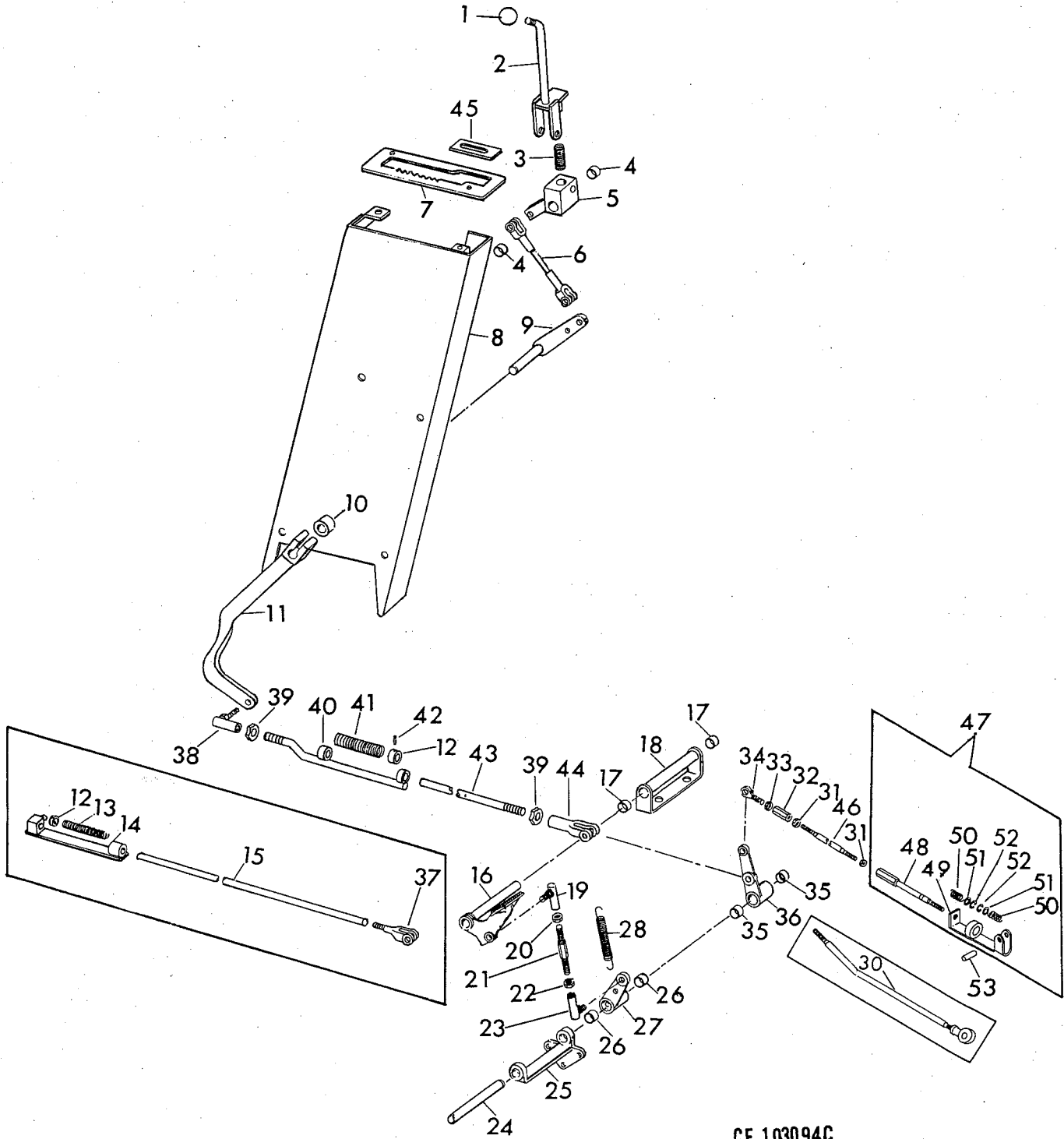
NOTE 3: Field Application - Order through Regular Parts Channels.

POWER

MEMORANDA

POWER

ENGINE CONTROLS (For Power Shift)



CE 103094C

POWER

REF. NO.	PART NUMBER	DESCRIPTION	REF. NO.	PART NUMBER	DESCRIPTION
ENGINE CONTROLS — Continued (For Power Shi ft)					1 SPRING 710 809 C1 1 STOP 331 150 R1)
1	264 097 R2	KNOB, throttle control hand lever	16	651 060 C2 324 653 R1 355 476 R1	PEDAL, decelerator foot RING, pedal snap WASHER, pedal
2	624 703 C1 88 924 H 103 343 108 630	LEVER, throttle control hand PIN, rod end (Hand lever to throttle hub) WASHER, flat PIN, cotter	17	327 465 R1	BUSHING, decelerator pedal pivot (2)
3	382 306 R1	SPRING, hand lever tension	18	650 110 C92 24 840 R1 115 093 106 263	SUPPORT w/two BUSHING 327 465 R1, decelerator pedal SCREW, hex-hd cap (2) WASHER, 3/8" lock (2) WASHER, 7/16" lock (2)
4	298 216 R1	BUSHING, hub pivot (2)			
5	624 707 C91 103 346 269 181 R1	HUB w/two BUSHING, 298 216 R1, throttle WASHER, flat RING, external snap	19	702 131 C1 25 527 R1 25 536 R1	JOINT, decelerator rod upper NUT WASHER, hardened
6	651 099 C1 103 496 103 373	LINK, throttle PIN, 3/8" (2) PIN, 3/32" (2)	20	25 922 R1	NUT, jam
7	624 702 C3 26 094 R1 115 109 103 339	GATE, throttle control guide (Replaces 651 083 C1) SCREW, hex-hd cap (2) WASHER, lock (2) WASHER, flat (2)	21	651 081 C1	ROD, decelerator (Used w/DT-466 engine)
8	628 231 C92 24 839 R1 115 093 25 534 R1	TOWER w/two BUSHING, 298 216 R1, throttle control SCREW, 3/8" hex-hd cap (3) WASHER, 3/8" lock (3) WASHER, flat (3)	21	711 901 C1	ROD, decelerator (Used w/DT-466B Engine)
9	624 711 C2	LEVER w/SHAFT, pivot	22	26 010 R1	NUT, jam (LH thread)
10	298 216 R1	BUSHING, pivot lever (2)	23	653 873 C1 25 527 R1 25 536 R1	JOINT, decelerator rod lower NUT, (LH thread) WASHER, hardened
11	651 091 C1 124 549 18 526 R1 24 851 R1	LEVER, throttle KEY, Woodruff NUT, nylok SCREW, hex-hd cap	24	653 342 C1 553 686 R1	SHAFT, lever pivot PIN, roll
12	331 150 R1 364 437 R1 651 129 C1	COLLAR, stop PIN, spring SPACER, throttle lever	25	624 722 C1	BRACKET, governor control and decelerator lever
13	661 865 C1	SPRING (Used w/TRUNNION, 318 581 R92)		25 536 R1 24 862 R1 116 121	NUT (3) SCREW, hex-hd cap (3) WASHER, lock (3)
14	318 581 R92 103 498 103 385 103 343 114 496	TRUNNION (Used w/ROD, 668 464 C1) PIN, 1/2" rod end PIN, 1/8" cotter (2) WASHER (pin) NUT, jam	26	298 216 R1	BUSHING, decelerator lever (2)
15	668 464 C1	ROD, rear governor control (Together with NUT, 25 922 R1 and CLEVIS 116 538, will work for ROD, 651 064 C1) (Order the following parts — 1 BODY 712 039 C1 1 CLEVIS 104 039 1 JOINT 702 131 C1 2 NUT 114 496 1 PIN 364 437 R1 1 ROD 712 036 C1	27	628 230 C91 120 613 12 496 R1 109 461	LEVER w/two BUSHING, 298 216 R1, decelerator (Used w/DT- 466 Engine) NUT, jam SCREW, oval point set FITTING, decelerator lever lubrication
			27	733 100 C91 120 613 28 232 R1 109 461	LEVER w/two BUSHING, 298 216 R1 decelerator (Used w/DT-466B Engine) NUT, jam SCREW, hex soc. FITTING, decelerator lever lubri- cation
			28	351 210 R1	SPRING, decelerator lever
			30	717 064 C91 25 519 R1 115 109 709 153 C1	ROD, governor control front (Used w/ DT-466 Engine)(Replaces 651 361 C2) NUT (2) WASHER, lock (2) BOLT, shouldered (2)

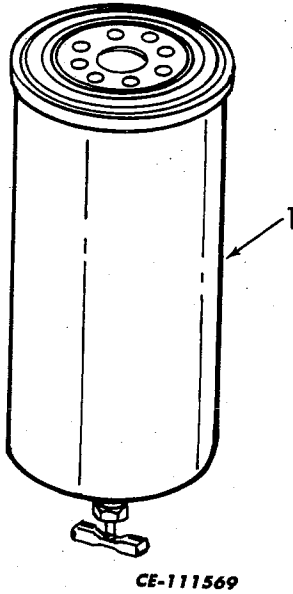
POWER

REF. NO.	PART NUMBER	DESCRIPTION	REF. NO.	PART NUMBER	DESCRIPTION
ENGINE CONTROLS — Continued (For Power Shift)			48	670 934 C1	ROD ASSY., trunnion (Used w/DT-466B Engine)
31	25 931 R1	NUT (2 for ROD, 670 934 R1)	49	670 936 C1 709 153 C1 25 519 R1	TRUNNION (Used w/DT-466B Engine) BOLT, shouldered NUT
32	668 131 C1	TURNBUCKLE	50	690 535 C1	SPRING, governor control (Used w/DT-466B Engine) (2)
33	455 332	NUT (LH thread)	51	103 340	WASHER, plain (Used w/DT-466B Engine) (2)
34	651 084 C1	END, rear spherical bearing rod	52	23 697 R1	RING, retaining (Used w/DT-466B Engine) (2)
35	298 216 R1	BUSHING (2)	53	685 189 C1	SLEEVE, throttle linkage (Used w/DT-466B Engine)
36	628 232 C92	LEVER w/two BUSHING, 298 216 R1, governor control throttle			
	109 461	FITTING, throttle lever lubrication			
37	116 538	CLEVIS, adjustable (Used with ROD, 668 464 C1)			
	25 922 R1	NUT, NF jam			
	or				
	114 496	NUT, NF jam			
38	702 131 C1	JOINT, ball			
39	114 496	NUT, jam (2)			
40	712 039 C1	BODY, over-ride rod			
41	710 809 C1	SPRING (Used w/BODY, 712 039 C1)			
42	364 437 R1	PIN, spring			
43	712 036 C1	ROD, over-ride (Used w/BODY, 712 039 C1)			
44	104 039	CLEVIS, adj. rod end (Used W/ROD, 712 036 C1)			
45	733 099 C1	PLATE, idle stop			
	25 483 R1	BOLT 93)			
	25 532 R1	WASHER, flat (3)			
	120 380	WASHER, lock (3)			
46	733 098 C1	ROD, governor control front (Used w/ DT466B Engine)			
	25 485 R1	BOLT, 1-1/4" long			
	25 483 R1	BOLT, 1" long			
	25 519 R1	NUT			
47	670 933 C1	TRUNNION ASSY., (Used w/DT- 466B Engine) (Consists of —			
		2 RING	23 697 R1		
		1 ROD	670 934 R1		
		2 SPRING	690 535 R1		
		1 TRUNNION	670 936 C		
		2 WASHER	103 340)		

POWER

REF. NO.	PART NUMBER	DESCRIPTION	REF. NO.	PART NUMBER	DESCRIPTION
----------	-------------	-------------	----------	-------------	-------------

WATER SEPARATOR

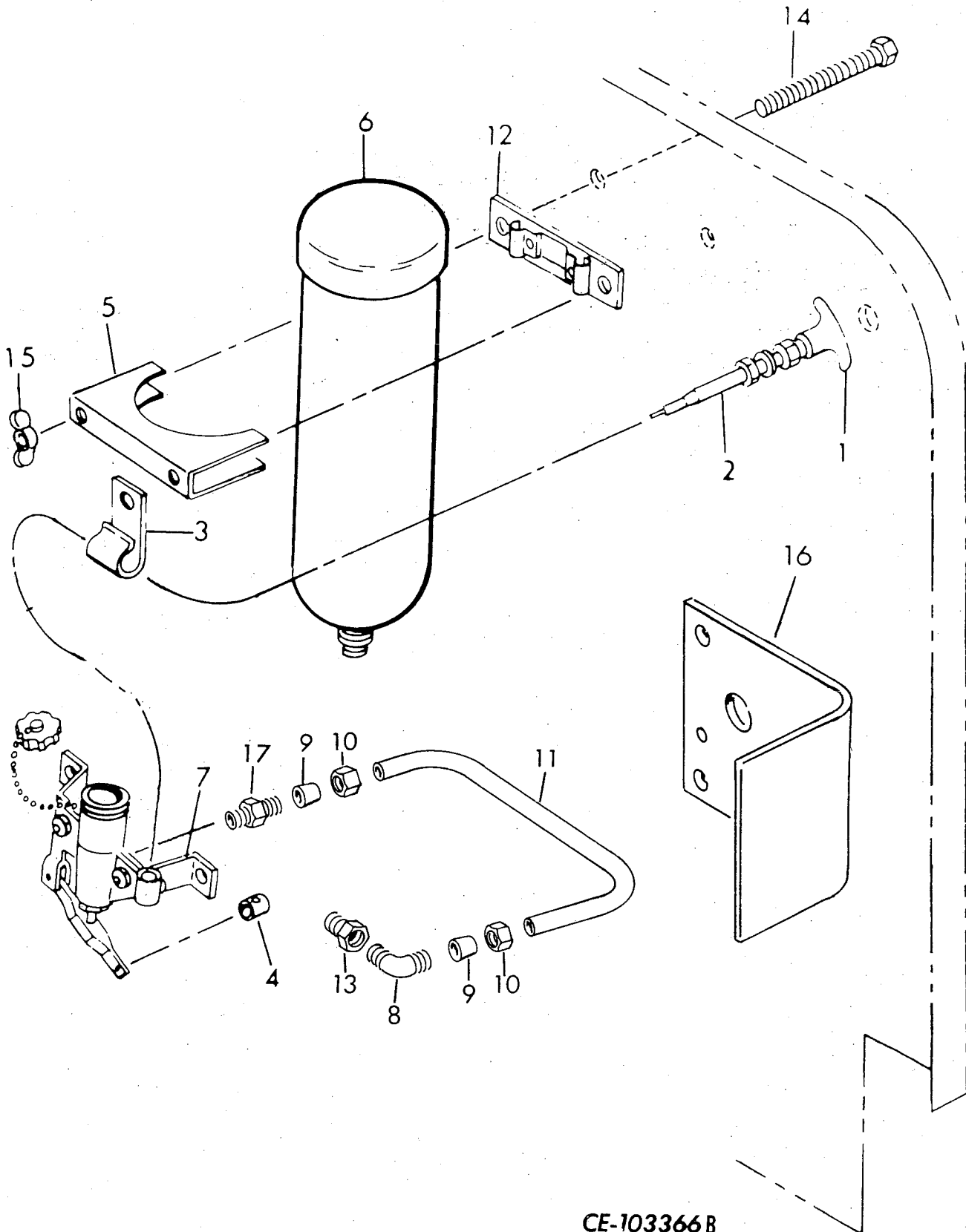


	629 493 C91	ATTACHMENT, water separator (See NOTE 3)
1	702 255 C1	FILTER

NOTE 3: Field Application - Order through
Regular Service Parts Channels.

POWER

ETHER INJECTOR - MANUAL
3629 and below
(Not For Low Ground Pressure)



CE-103366B

POWER

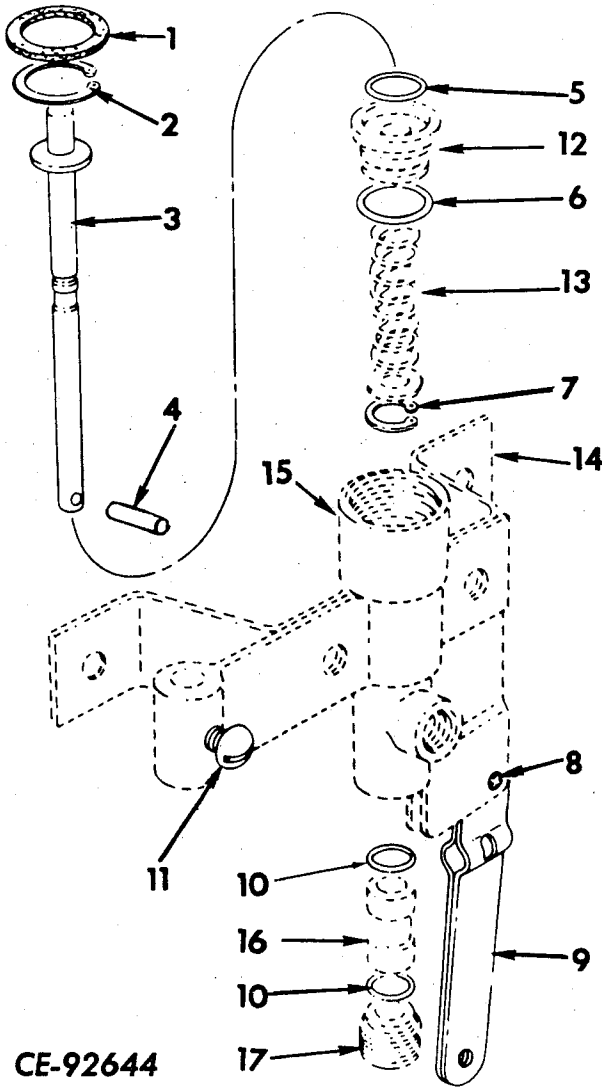
REF. NO.	PART NUMBER	DESCRIPTION	REF. NO.	PART NUMBER	DESCRIPTION
ETHER INJECTOR – MANUAL – Continued					
3629 and below					
(Not For Low Ground Pressure)					
	629 483 C91	ATTACHMENT, ether injector (See NOTE 3) (Consists of the following parts -			
1		KNOB (Not furnished separately)			
2	650 650 C1	CABLE w/KNOB, ether injector control			
3	384 559 R1	CLIP, control cable			
4	288 219 C1 436 748	STOP, control cable SCREW, pan-slt-hd cap			
5	215 331 R1 116 120	CLAMP, cylinder WASHER, lock (2)			
6		CYLINDER, starting fluid (Pressurized) (Not furnished as part of Attachment. Order Part No. LP-535-1 from: Turner Corporation, 821 Park Avenue, Sycamore, Illinois, 60178)			
7		VALVE ASSY., ether starting (Refer to "Ether Starting Valve")			
8	140 303	ELBOW			
9	121 322	SLEEVE, ball (2)			
10	121 220	NUT, ball sleeve tube (2)			
11	650 915 C1	TUBE, ether			
12	398 305 C1 25 520 R1 116 120 103 340 303 890 C1 22 859 R1	CLAMP, saddle NUT (2) WASHER, 5/16" lock (2) WASHER, 11/32" flat (2) WASHER, clamp WASHER, 5/16" flat			
13	269 635 R91	NOZZLE (In intake manifold)			
14	650 166 C1	SCREW, hex-hd cap (2)			
15	103 128	NUT, wing (2)			
16	650 649 C1 24 840 R1 115 093 25 522 R1	SHIELD, heat SCREW, hex-hd cap (2) WASHER, lock (2) NUT (2)			
17	140 284	CONNECTOR, ether tube			
	622 751 C1 120 386	PLATE, ether name WASHER, flat			
	2 754 455 R1	PRODUCT GRAPHIC, ether injector			
	1 085 597 R1	PAMPHLET, installation instruction			

NOTE 3: Field Application - Order Stet through
Regular Service Parts Channels.

POWER

REF. NO.	PART NUMBER	DESCRIPTION	REF. NO.	PART NUMBER	DESCRIPTION
----------	-------------	-------------	----------	-------------	-------------

ETHER STARTING VALVE – MANUAL
3629 and below
(Not For Low Ground Pressure)



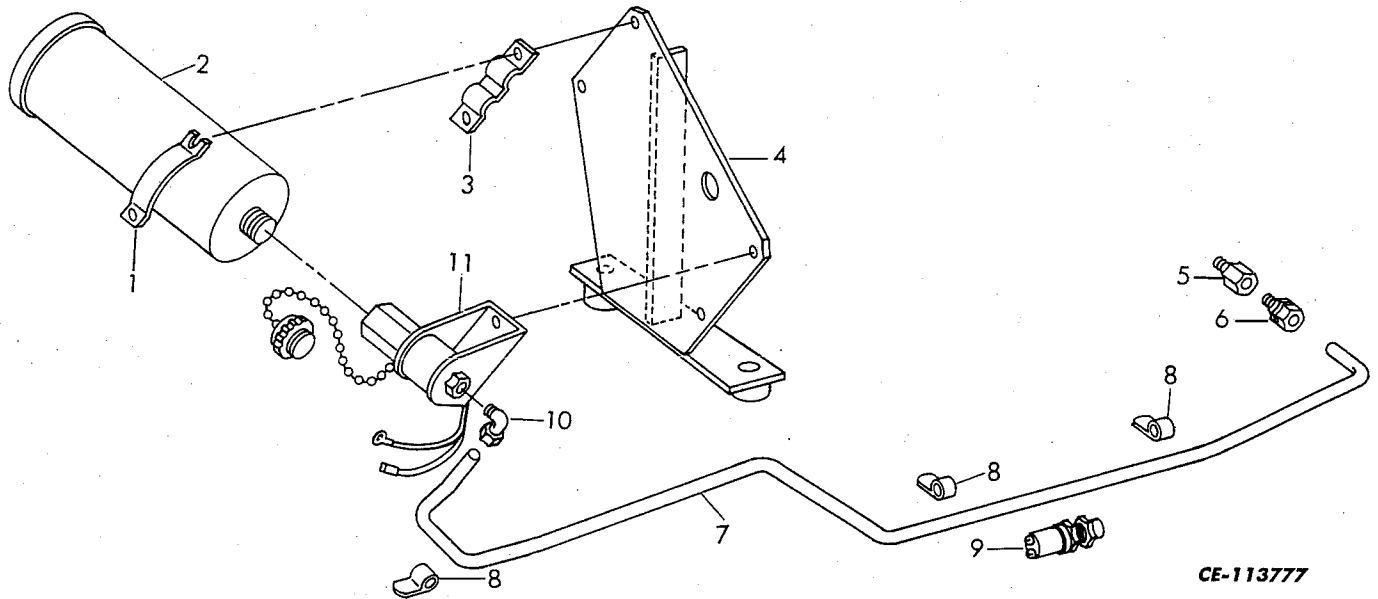
CE-92644

	408 076 C91	VALVE ASSY., ether starting			
	25 519 R1	NUT (2)			
	25 485 R1	SCREW, hex-hd cap (2)			
	115 109	WASHER, lock (2)			
	22 859 R1	WASHER, flat			(Consists of -
1	256 049 C1	GASKET, valve			
2	374 790 R1	RING, snap			
3	256 401 C91	ROD, push valve			
4	17 164 R1	PIN, roll			
5	256 403 C1	"O" RING (1/4 x 3/8 x 1/16")			
6	256 402 C1	"O" RING, seal			
7	268 552 R1	RING, snap			
8	442 929	PIN, hinge			
9	257 796 C91	LEVER, valve control			
10	256 404 C1	"O" RING, seal (2)			
11		SCREW, rd-hd-slt mach.			
12		CAP, valve (Not furnished separately)			
13		SPRING, valve (Not furnished separately)			
14		BRACKET, valve (Not furnished separately)			
15		BODY, valve (Not furnished separately)			
16		PLUNGER, valve (Not furnished separately)			
17		CAP, valve (Not furnished separately)			

POWER

REF. NO.	PART NUMBER	DESCRIPTION	REF. NO.	PART NUMBER	DESCRIPTION
----------	-------------	-------------	----------	-------------	-------------

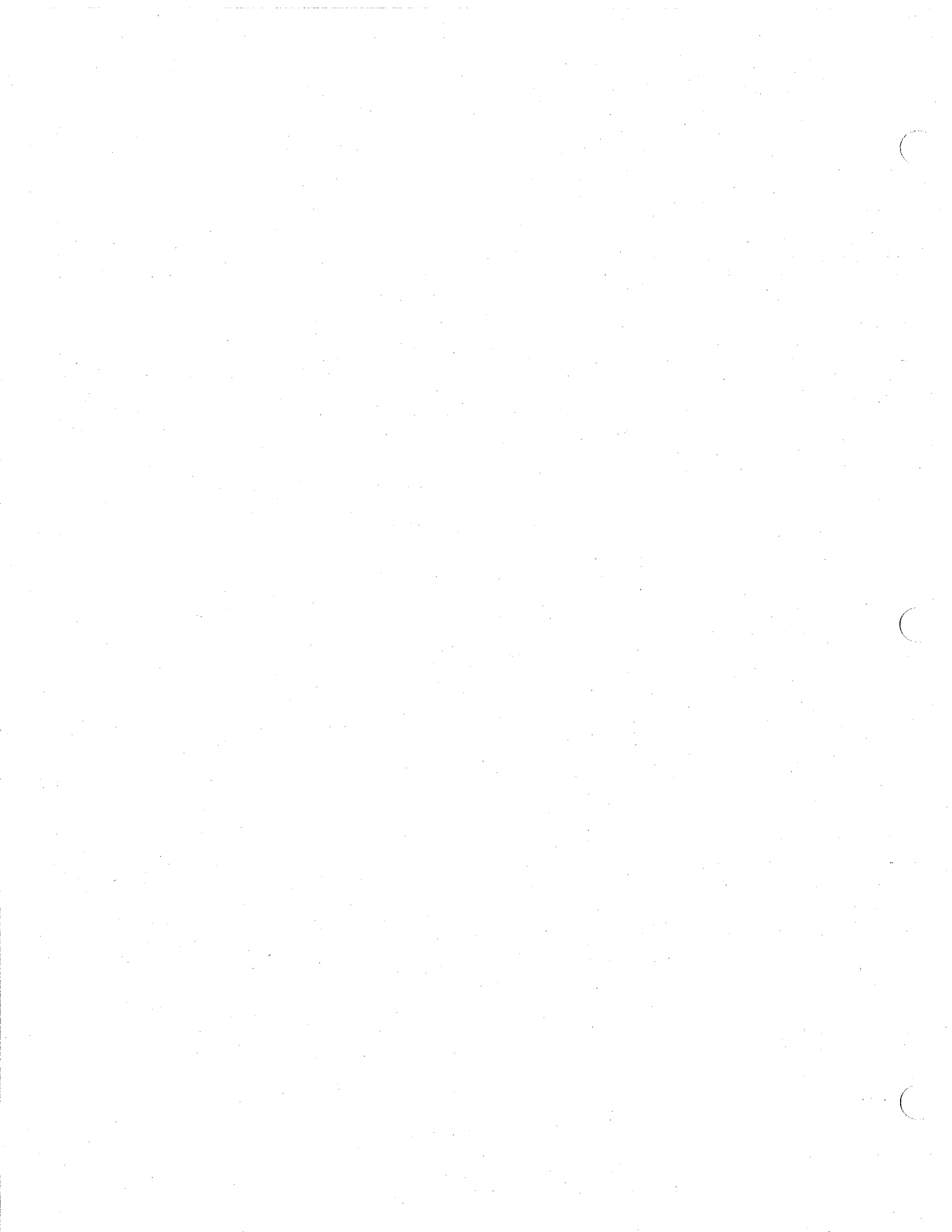
ETHER INJECTOR – ELECTRIC 3630 and up



CE-113777

	706 437 C91	ATTACHMENT, electric ether injector (See NOTE 3) (Consists of the following parts except Ref. 2 –		7	685 786 C1	TUBE, ether injector
					8	266 306 C1 CLAMP, tube (2) 26 311 R1 BOLT (2) 25 896 R1 WASHER (2)
1	672 593 C1	CLAMP, ether cylinder		9	627 670 C1	SWITCH, ether
	144 239	NUT, wing (2)			OR	
	116 120	WASHER, lock (2)		9	453 453 C1	SWITCH, ether
	27 326 R1	WASHER, hardened (2)				
2		CYLINDER, ether (Not furnished with attachment) (Order No. LP535-1 from Turner Corp., 821 Park Ave., Sycamore, Illinois 60178)		10	140 304	ELBOW, 90°, with sleeve and nut
3	398 305 C1	SADDLE, clamp		11	685 819 C91	VALVE and COIL
	672 592 C1	STUD (2)			22 470 R1	BOLT (2)
	27 326 R1	WASHER, hardened (4)			25 707 R1	WASHER, hardened (3)
	25 520 R1	NUT (4)			174 916	WASHER, lock
					25 402 R1	NUT (2)
4	685 606 C1	BRACKET, ether injector			650 666 C1	CABLE, ether switch to start switch (Illustrated with "Electric Starting and Lighting")
	25 498 R1	BOLT			622 751 C1	NAME PLATE
	25 316 R1	BOLT			2 753 630 R1	PRODUCT GRAPHIC
	25 896 R1	WASHER, hardened				
	27 516 R1	WASHER, hardened				
5	269 635 R91	NOZZLE, ether injection				
6	140 285	CONNECTOR, ball sleeve tube				

NOTE 3: Field Application - Order through
Regular Service Parts Channels.



**REFER TO ALPHABETICAL INDEX
FOR COMPLETE LISTING OF PARTS**

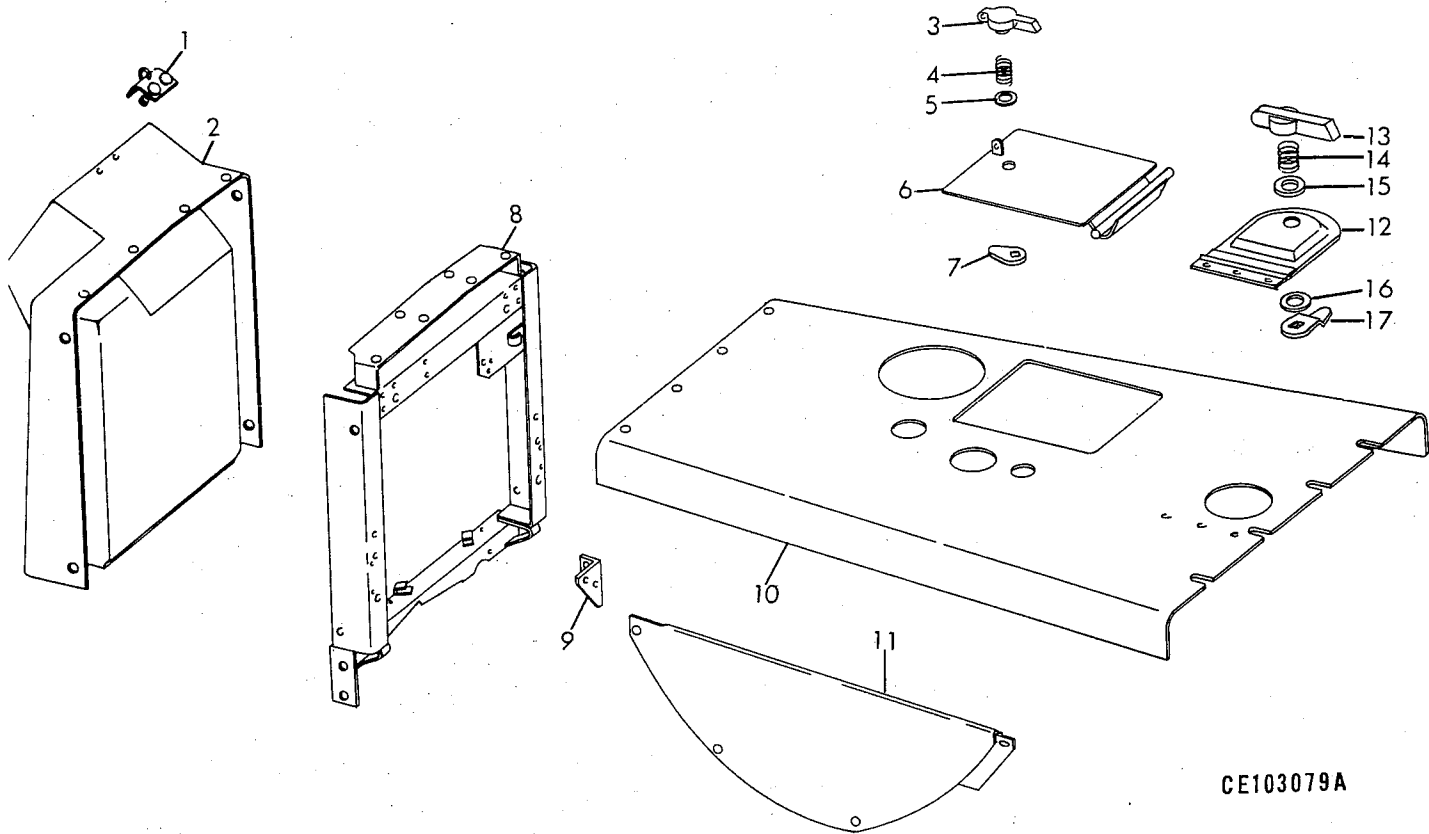
SUPERSTRUCTURE

13

SUPERSTRUCTURE

REF. NO.	PART NUMBER	DESCRIPTION	REF. NO.	PART NUMBER	DESCRIPTION
----------	-------------	-------------	----------	-------------	-------------

HOOD, DASH AND SUPPORTS



CE103079A

1	651 076 C1 120 394 115 093 25 522 R1	PLATE, instrument panel lock WASHER, flat (2) WASHER, lock (2) NUT (2)	10	628 463 C92	HOOD w/DOOR, 651 111 C1 (Solid) (Replaces 651 030 C91) 3647 and below
2	651 068 C1 24 861 R1 116 121 446 229	DASH SCREW, hex-hd cap (6) WASHER, lock (6) WASHER, flat (6)	10	709 336 C91	HOOD w/DOOR, 651 111 C1 (Solid) 3648 and up
3	622 539 C1	HANDLE, access door locking		24 861 R1 114 608	BOLT (10) WASHER, ext-tooth lock (10)
4	562 008 R1	SPRING, locking handle		334 950 R2 357 020 R1	WASHER, hood pilot (4) WASHER (6)
5	92 779 R1	WASHER, locking handle thrust		138 496	SHIM (x)
6	651 111 C1	DOOR, hood access	10	651 386 C91	HOOD w/DOOR, 651 111 C1 (Perforated) (For Manual Shift and Power Shift) 3647 and below
7	622 541 C1 24 839 R1 115 093 103 341	PAWL, access door locking SCREW, hex-hd cap WASHER, lock WASHER, flat	10	709 236 C91	HOOD w/DOOR, 651 111 C1 (Perforated) (For Manual Shift and Power Shift) 3648 and up
8	651 069 C1 24 872 R1 24 862 R1 116 121 103 343 25 526 R1	SUPPORT, dash SCREW, 5/8" hex-hd cap (2) SCREW, 1/2" hex-hd cap (2) WASHER, lock (2) WASHER, flat (2) NUT (2)		24 861 R1 334 951 R1 200 835 R1	BOLT (10) WASHER, hood pilot (4) WASHER (6)
9	334 438 R1 24 872 R1 25 528 R1	BRACKET, dash support SCREW, hex-hd cap (2) NUT (2)			

(x) - As Required.

SUPERSTRUCTURE

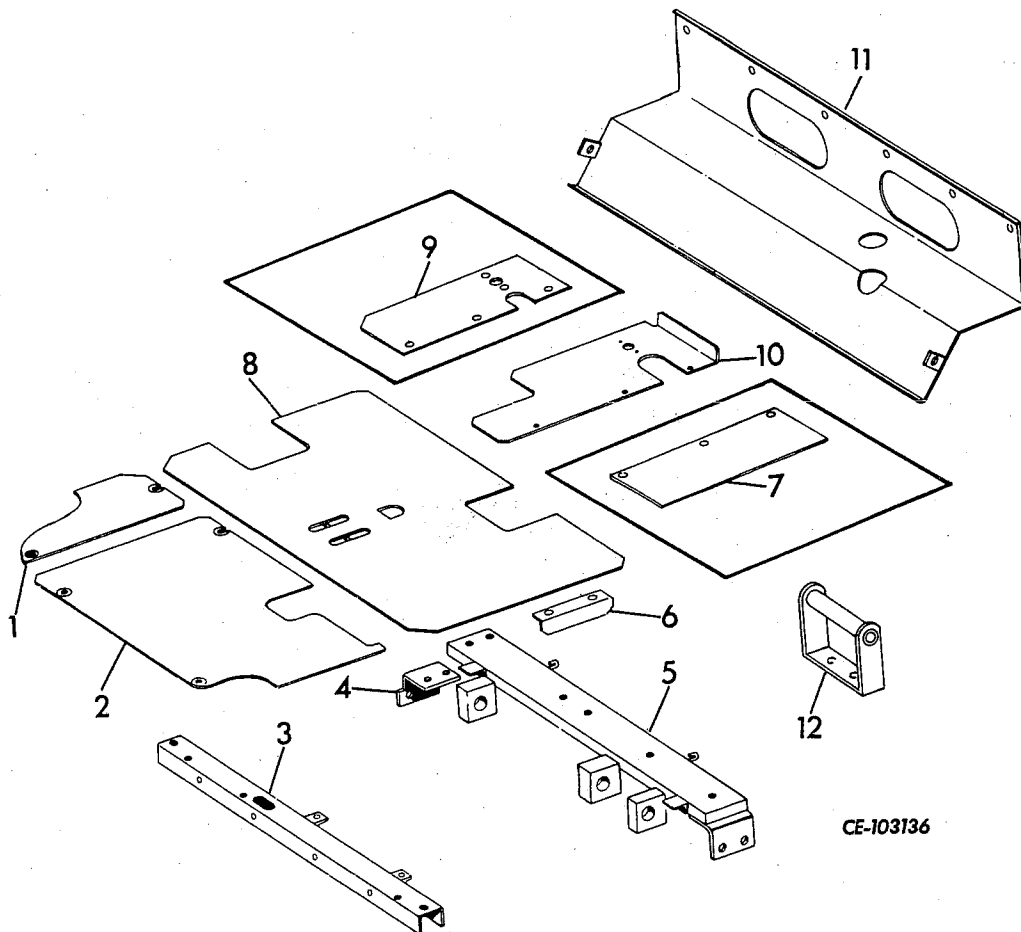
REF. NO.	PART NUMBER	DESCRIPTION	REF. NO.	PART NUMBER	DESCRIPTION
HOOD, DASH AND SUPPORTS -- Continued			629	576 C91	ATTACHMENT, perforated hood (For Manual Shift and Power Shift) (See NOTE 3) (Consists of HOOD, 651 386 C91, ten SCREW, 24 861 R1, four WASHER, 334 951 R1 and six WASHER, 200 835 R1)
10	651 386 C91	HOOD w/DOOR, 651 111 C1 (Perforated) (For Manual Shift and Power Shift) 3647 and below			3647 and below
10	709 236 C92	HOOD w/DOOR, 651 111 C1 (Perforated) (For Manual Shift and Power Shift) 3648 to 4229	709	332 C91	ATTACHMENT, perforated hood (For Manual Shift and Power Shift) (See NOTE 3) (Consists of HOOD, 709 236 C91) 3648 to 4229
	24 861 R1	BOLT (10)			
	334 951 R1	WASHER, hood pilot (4)			
	200 835 R1	WASHER (6)			
10	717 379 C91	HOOD w/DOOR, 651 111 C1 (Perforated) (For Low Ground Pressure)	12	622 535 C2	DOOR, radiator cap access
				24 840 R1	BOLT (3)
				25 534 R1	WASHER (6)
				25 522 R1	NUT (3)
10	733 150 C91	HOOD w/DOOR, 651 111 C1 (Solid) (For Low Ground Pressure)	13	622 539 C1	HANDLE, access door
11	661 637 C1	SHEET, LH engine side (Not used W/Engine Side Enclosure)(Not For Low Ground Pressure)	14	562 008 R1	SPRING
			15	92 779 R1	WASHER
			16	Q 3481	WASHER, flat
11	661 638 C1	SHEET, RH engine side (Not used W/Engine Side Enclosure)(Not For Low Ground Pressure)	17	622 759 C1	PAWL, access door locking
	24 871 R1	SCREW, 5/8 x 1" hex-hd cap (6)		24 839 R1	BOLT
	24 873 R1	SCREW, 5/8 x 1-1/2" hex-hd cap (2)		114 606	WASHER, lock
	334 951 R1	WASHER, pilot (8)		28 035 K	WASHER
	19 508 R1	NUT, 5/8" lock (2)			
11	717 386 C1	SHEET, LH engine side(For Low Ground Pressure)			
	24 872 R1	BOLT, 1-1/4" long (3)			
	24 874 R1	BOLT, 1-3/4" long (2)			
	25 537 R1	WASHER, flat (2)			
	334 951 R1	WASHER, pilot (5)			
11	717 387 C1	SHEET, RH engine side (For Low Ground Pressure)			
	24 872 R1	BOLT, 1-1/4" long (3)			
	24 874 R1	BOLT, 1-3/4" long (2)			
	25 537 R1	WASHER, flat (2)			
	334 951 R1	WASHER, pilot (5)			

NOTE 3: Field Application - Order through Regular Parts Channels.

SUPERSTRUCTURE

REF. NO.	PART NUMBER	DESCRIPTION	REF. NO.	PART NUMBER	DESCRIPTION
----------	-------------	-------------	----------	-------------	-------------

PLATFORMS AND SUPPORTS



1	651 089 C1 26 309 R1 115 093 25 534 R1	PLATFORM, RH front SCREW, hex-hd cap (2) WASHER, lock (2) WASHER, flat (2)	4	325 593 R1 26 317 R1 116 121 103 343 25 526 R1	BRACKET, platform support bar SCREW, hex-hd cap (4) WASHER, lock (4) WASHER, flat (2) NUT (2)
2	651 088 C1	PLATFORM, LH front (For Power Shift)	5	651 880 C1	BAR, platform support (For Manual Shift and Power Shift)
2	651 090 C1 26 309 R1 25 534 R1 613 058 C1	PLATFORM, LH front (For Manual Shift and Custom Applications) SCREW, hex-hd cap (4) WASHER, flat WASHER, platform retainer	5	24 860 R1 116 121 103 343	SCREW, hex-hd cap (2) WASHER, lock (2) WASHER, flat (2)
3	607 821 C21 24 840 R1 115 093 103 341 25 522 R1	CHANNEL, platform support SCREW, hex-hd cap (2) WASHER, lock (2) WASHER, flat (2) NUT (2)	5	651 881 C1 24 860 R1 116 121 103 341 R1 25 526 R1	BAR, platform support (For Custom Applications) SCREW, hex-hd cap (2) WASHER, lock (2) WASHER, flat (2) NUT (2)
			6	334 750 R1 26 310 R1 25 534 R1 25 522 R1	PLATFORM, center auxiliary (For Manual Shift and Custom Applications) SCREW, hex-hd cap (2) WASHER, lock (2) NUT (2)

SUPERSTRUCTURE

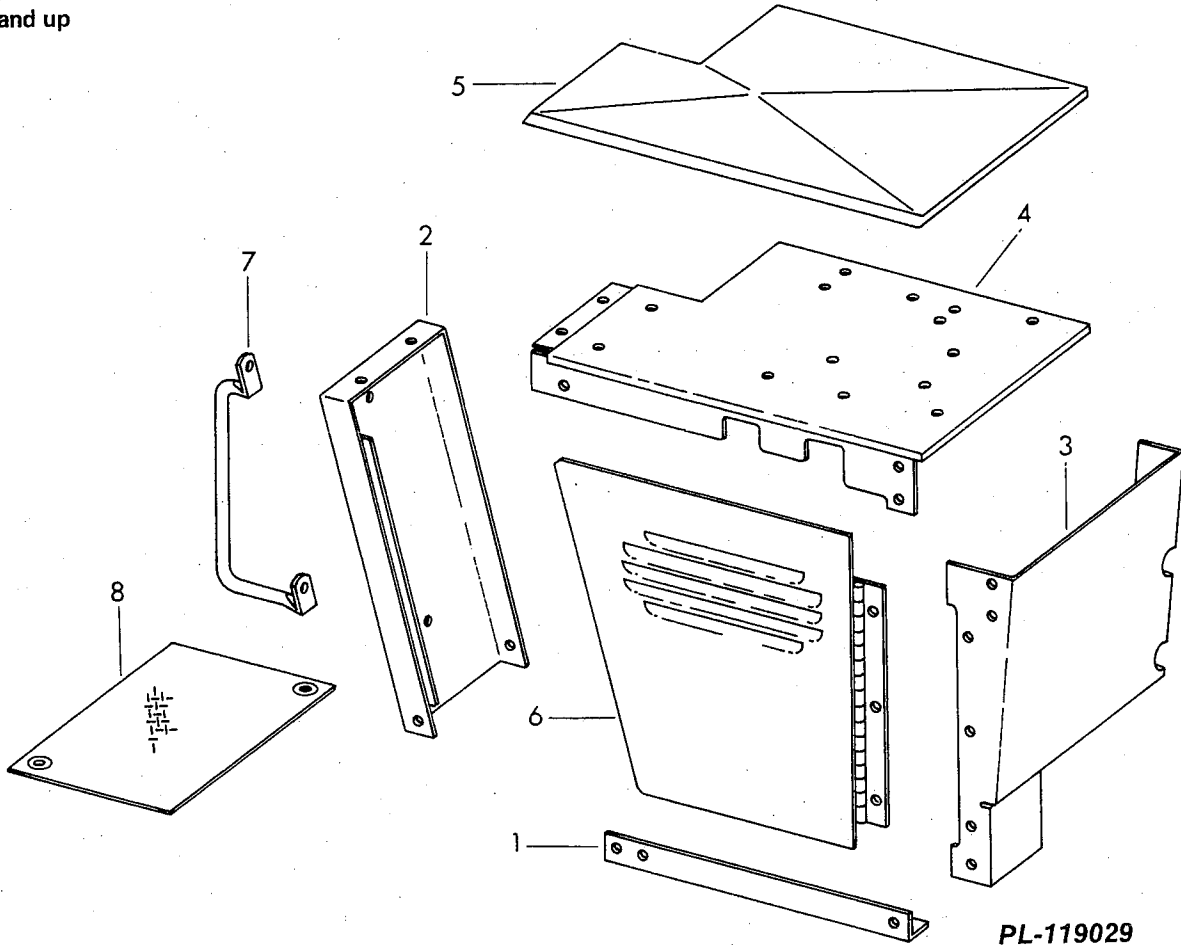
REF. NO.	PART NUMBER	DESCRIPTION	REF. NO.	PART NUMBER	DESCRIPTION
PLATFORMS AND SUPPORTS – Continued					
7	650 228 C1	PLATFORM, LH rear (For Custom Applications)			
	26 309 R1	SCREW, hex-hd cap (3)			
	25 534 R1	WASHER, flat (3)			
8	609 746 C22	PLATFORM, center (For Manual Shift)			
8	609 745 C32	PLATFORM, center (For Power Shift)			
8	650 211 C3	PLATFORM, center (For Custom Applications)			
9	650 226 C1	PLATFORM, RH rear (For Custom Applications)			
	26 309 R1	SCREW, hex-hd cap (5)			
	25 534 R1	WASHER, flat (5)			
10	334 748 R11	PLATFORM, rear (For Manual Shift and Power Shift) (Not used with Hydraulic Control Unit)			
	26 309 R1	SCREW, hex-hd cap (5)			
	115 093	WASHER, lock (5)			
11	629 395 C1	SHEET, rear cover (Perforated) (Not used with 15 260 Cable Control Unit or Rear Hydraulic Plumbing)			
	140 483 H	SCREW, 1-1/4" long hex-hd cap (2)			
	24 842 R1	SCREW, 1-3/4" long hex-hd cap (2)			
	25 553 R1	WASHER, flat (4)			
12	331 195 R91	REST, foot (Part of ATTACHMENT, 624 519 C91)			
	25 526 R1	NUT (2)			
	26 316 R1	SCREW, hex-hd cap (2)			
	116 121	WASHER, lock (2)			
	624 519 C91	ATTACHMENT, foot rest (For Manual Shift and Custom Applications) (Not used with Decelerator) (Consists of REST, 331 195 R91) (See NOTE 3)			

NOTE 3: Field Application - Order through Regular Parts Channels.

SUPERSTRUCTURE

REF. NO.	PART NUMBER	DESCRIPTION	REF. NO.	PART NUMBER	DESCRIPTION
----------	-------------	-------------	----------	-------------	-------------

TRANSMISSION FILTER ENCLOSURE 4230 and up



PL-119029

1	732 167 C1 24 862 R1 25 526 R1 25 546 R1	ANGLE, filter housing side BOLT (2) NUT (2) WASHER, hardened (2)	5	25 534 R1 25 544 R1 115 093	WASHER, flat (4) WASHER, hardened (6) WASHER, lock (4)
2	732 162 C1 24 840 R1 140 483 H 25 522 R1 25 534 R1 25 544 R1 115 093	SUPPORT, filter housing front BOLT BOLT (2) NUT (2) WASHER, flat (2) WASHER, hardened (3) WASHER, lock (3)	6	732 165 C1 24 849 R1 140 483 H 25 522 R1 25 534 R1 25 545 R1 115 093 115 314	SHIELD, heat BOLT (5) WASHER, hardened (5) WASHER, lock (5) DOOR, filter access BOLT (2) BOLT (3) NUT (3) WASHER, flat (6) WASHER, hardened (2) WASHER, lock (3) WASHER, lock (2)
3	732 164 C1 24 861 R1 140 483 H 25 522 R1 25 534 R1 25 546 R1 115 093	SUPPORT, rear BOLT (2) BOLT NUT WASHER, flat (2) WASHER, hardened (2) WASHER, lock	7	732 137 C1 24 861 R1 25 526 R1 25 546 R1	HANDLE, assist BOLT (2) NUT (2) WASHER, hardened (4)
4	732 158 C1 24 840 R1 140 483 H 25 522 R1	PLATE, filter housing top BOLT (2) BOLT (4) NUT (4)	8	732 173 C1 24 861 R1 25 546 R1	COVER, LH fender BOLT (2) WASHER, hardened (2)

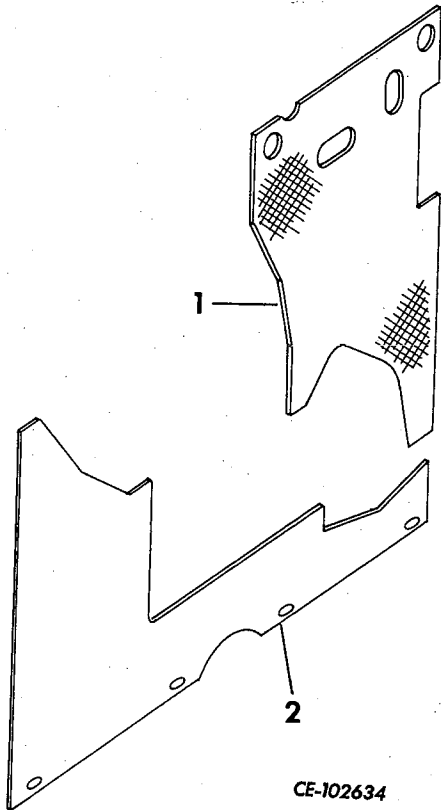
SUPERSTRUCTURE

REF. NO.	PART NUMBER	DESCRIPTION	REF. NO.	PART NUMBER	DESCRIPTION
SEAT, AIR BAFFLE, SIDE SHEETS AND SUPPORT –					
Continued					
11	345 908 R51	SHEET, LH seat side (For Power Shift) 4229 and below			
11	732 156 C1	SHEET, LH seat side (For Power Shift) 4230 and up			
11	628 229 C91	SHEET, w/two BUSHING, 298 216 R1, LH seat side (For Custom Applications)			
	24 840 R1	SCREW, hex-hd cap (2)			
	115 093	WASHER, lock (2)			
	103 341	WASHER, flat (2)			
	25 522 R1	NUT (4)			
12	298 216 R1	BUSHING, side sheet (For Manual Shift and Custom Applications) (2)			
13	345 907 R2	SUPPORT, front seat			
	25 522 R1	NUT, 3/8" (8)			
	24 840 R1	SCREW, 3/8" hex-hd cap (12)			
	115 093	WASHER, 3/8" lock (10)			
	103 341	WASHER, 13/32" flat (18)			
	103 342	WASHER, 15/32" flat (4)			
	24 849 R1	SCREW, 7/16" hex-hd cap (4)			
	25 524 R1	NUT, 7/16" (4)			
14	604 150 C21	SHEET, RH seat side (For Manual Shift and Power Shift) (Not used with Hydraulic Control Unit)			
14	345 910 R41	SHEET, RH seat side (Used with Hydraulic Control Unit)			
14	650 224 C1	SHEET, RH seat side (For Custom Applications) (Not used with Hydraulic Control Unit)			
	24 840 R1	SCREW, hex-hd cap (6)			
	115 093	WASHER, lock (6)			
	103 341	WASHER, flat (8)			
	25 522 R1	NUT (6)			
17	345 916 R11	BAFFLE, rear air 1539 and below			
	25 768 R1	SCREW, hex-hd cap (2)			
	115 093	WASHER, lock (2)			
18	603 913 C1	SPRING, linkage arm			
19	651 366 C1	COVER, LH side sheet opening (For Manual Shift and Custom Applications)			
	26 099 R1	SCREW, hex-hd cap (2)			
	115 093	WASHER, lock (2)			

SUPERSTRUCTURE

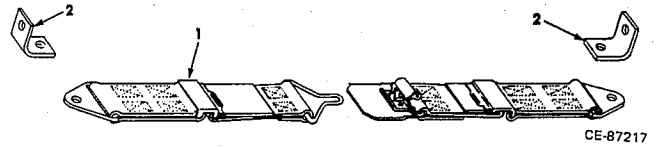
REF. NO.	PART NUMBER	DESCRIPTION	REF. NO.	PART NUMBER	DESCRIPTION
----------	-------------	-------------	----------	-------------	-------------

ENGINE CLUTCH AIR BAFFLE (For Custom Applications)



1	651 125 C1 24 862 R1 24 863 R1 116 121 283 856 C1 446 484	BAFFLE, top air SCREW, 1/2 x 1-1/2" hex-hd cap SCREW, 1/2 x 1-3/4" hex-hd cap WASHER, lock (3) WASHER, flat (2) WASHER, 1/2 x 1-5/8" x 16 ga. flat (2)
2	651 124 C1 24 838 R1 115 093	BAFFLE, bottom air SCREW (4) WASHER, lock (4)

SAFETY SEAT BELT



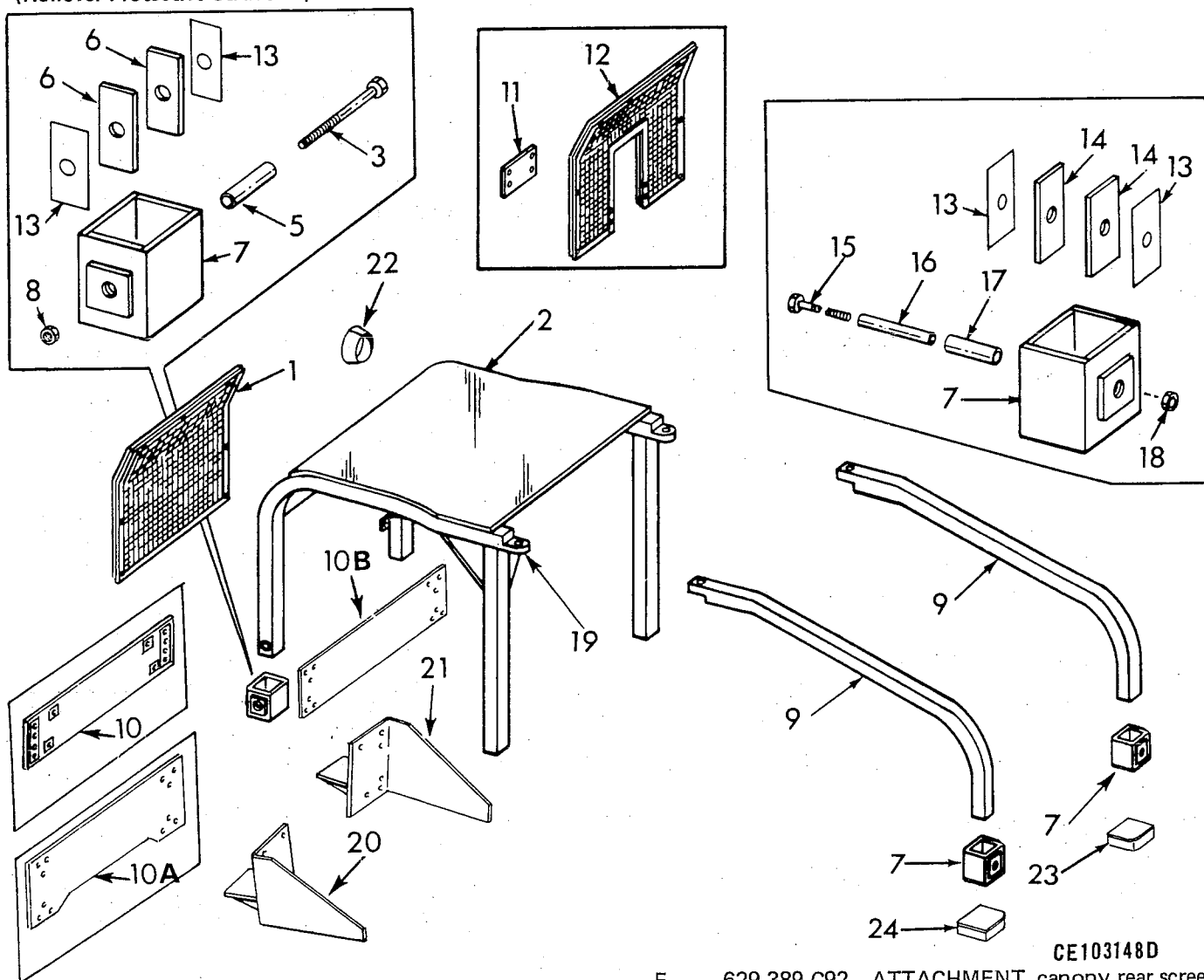
	629 450 C91	ATTACHMENT, safety seat belt (See NOTE 3) (Consists of -
1	636 888 C1 9 412 230 26 315 25 555 R1	BELT, seat (Replaces, 702 248 C3) NUT (2) SCREW, hex-hd cap (2) WASHER, lock (2)
2	616 166 C1 70 427 R1	BRACKET, seat belt holddown (2) SCREW, hex-hd cap (2)
	1 085 320 R1	PAMPHLET, installation

NOTE 3: Field Application – Order through Regular Parts Channels.

SUPERSTRUCTURE

REF. NO.	PART NUMBER	DESCRIPTION	REF. NO.	PART NUMBER	DESCRIPTION
----------	-------------	-------------	----------	-------------	-------------

CANOPY AND CANOPY FRONT SWEEP (Rollover Protective Structure)



- A 629 707 C91 ATTACHMENT, offset arched canopy with seat belt ROPS (Tractor must be equipped with canopy mounts) (See NOTE 4) +
- B 635 044 C91 ATTACHMENT, straight canopy with seat belt ROPS (Tractor must be equipped with canopy mounts) (See NOTE 2)
- C 647 046 C92 ATTACHMENT, canopy rear screen (For models equipped with Roll-over Protective Structure Canopy) (Used w/ATTACHMENT A) (See NOTE 3) +
- D 635 046 C91 ATTACHMENT, canopy rear screen (For models equipped with Roll-over Protective Structure Canopy) (Used w/ATTACHMENT B) (See NOTES 1 and 2)

- E 629 389 C92 ATTACHMENT, canopy rear screen (For models equipped with Roll-over Protective Structure Canopy and 15-260 Rear Cable Control Unit) (See NOTE 4) +
- F 628 262 C91 ATTACHMENT, canopy front sweep (For models equipped with Rollover Protective Structure Canopy) (See NOTES 1 and 3)
- G 647 250 C91 ATTACHMENT, canopy mounts (Used w/ATTACHMENT A) (See NOTE 4) +

- CE103148D**
- NOTE 1: Factory Application - Order on Machine Order Form.
 - NOTE 2: Field Application - Order on Machine Order Form.
 - NOTE 3: Field Application - Order through Regular Parts Channels.
 - NOTE 4: Attachment No Longer Available. Service Parts Will Be Furnished As Ordered.
- +
- Not For Low Ground Pressure.

SUPERSTRUCTURE

REF. NO.	PART NUMBER	DESCRIPTION	REF. NO.	PART NUMBER	DESCRIPTION
CANOPY AND CANOPY FRONT SWEEP - Continued (Rollover Protective Structure)					
H	635 047 C91	ATTACHMENT, canopy mounts (Used w/ATTACHMENT B) (See See NOTE 2)	12	646 223 C1 24 865 R1 19 605 R1 25 536 R1	SCREEN, rear (E) SCREW, hex-hd cap (7) NUT (7) WASHER, flat (14)
1	705 717 C1	SCREEN, rear (D)	13	646 992 C1	SHIM (.060") (A,B and D) (*) (x)
1	645 944 C1 24 865 R1 25 536 R1 19 605 R1	SCREEN, rear (C) SCREW, hex-hd cap (7) WASHER, flat (14) NUT (7)	14	646 070 C1	SHEET, shock mount (8 for A) (4 for F) (Order the following parts - 1 DRAWING CZG-945 1 INSULATOR 646 989 C1 1 NUT 20 787 R1 1 SCREW 646 988 C1 4 SHIM 646 992 C1 2 SHEET 646 991 C1)
2		CANOPY (Not Serviced Separately) (A)			
2		CANOPY (Not Serviced Separately) (B)			
3	646 988 C1	BOLT, canopy socket (4 for A and B) (2 for F)	15	26 011 R1	BOLT, front mounting (4 for A) (2 for F) (Used with TUBE, 646 068 C1)
5	705 614 C1	INSULATOR, shock mount (4 for A and B) (2 for F)		25 550 R1	WASHER, hardened (4)
6	646 991 C1	SHEET, shock mount (8 for A and B) (4 for F)	16	646 068 C1	TUBE, shock mount (4 for A) (2 for F) (Order the following parts - 1 DRAWING CZG-945 1 INSULATOR 646 989 C1 1 NUT 20 787 R1 1 SCREW 646 988 C1 4 SHIM 646 992 C1 2 SHEET 646 991 C1)
7	646 065 C1	SOCKET, canopy rear and center mounting (4 for A and B) (2 for F)			
8	20 787 R1	NUT, 1-1/4" (Nylon insert) (4 for A and B) (2 for F)	17	646 069 C1	INSULATOR, shock mount (4 for A) (2 for F) (Order the following parts - 1 DRAWING CZG-945 1 INSULATOR 646 989 C1 1 NUT 20 787 R1 1 SCREW 646 988 C1 4 SHIM 646 992 C1 2 SHEET 646 991 C1)
9	646 259 C1 645 938 C1 272 080 103 415 646 071 C1 557 274 R1	SWEEP, front (2 for F) BOLT, sweep to canopy mounting (2) NUT, slotted (2) PIN, cotter (2) WASHER (2) WASHER (2)			
10	645 756 C1 24 886 R1 62 177 V	PLATE, rear tie (G) SCREW, hex-hd cap (12) WASHER, hardened (12)	18	19 515 R1	NUT (4 for A) (2 for F) (Used with BOLT, 26 011 R1)
10A	705 903 C2 24 886 R1 62 177 V	PLATE, rear tie % and Below (H) SCREW, hex hd cap (12) WASHER, hardened (12)	19	646 073 C2	BRACKET, front sweep mounting to canopy (Not furnished separately) (2 for F)
10B	711 822 C1 24 886 R1 62 177 V	PLATE, rear tie % and Up (H) SCREW, hex hd cap (12) WASHER, hardened (12)	20		MOUNT, RH, rear canopy (Not furnished separately) (G and H)
11	646 228 C1 24 864 R1 19 605 R1	PLATE, screen tie (E) SCREW, hex-hd cap (4) NUT (4)			

% - Unavailable Serial Number

(x) - As Required

(*) - Maximum quantity of 8 shims to be used.

SUPERSTRUCTURE

REF. NO.	PART NUMBER	DESCRIPTION	REF. NO.	PART NUMBER	DESCRIPTION
CANOPY AND CANOPY FRONT SWEEP - Continued (Rollover Protective Structure)					
21		MOUNT, LH, rear canopy (Not furnished separately) (G and H)			
22	651 950 C1 427 313 R91 or 24 763 R1	SHIELD, rear lamp (2 for C,D and E) CLAMP, lamp shield (2) CLAMP, lamp shield (2)			
23	645 752 C1	MOUNT, LH, front sweep (F)			
24	645 753 C1	MOUNT, RH, front sweep (F)			
		BELT, seat (Listed and illustrated under "Safety Seat Belt") (A and B)			
		BRACKET, seat belt (Listed and illustrated under "Safety Seat Belt") (A and B)			
	1 085 613 R1	PAMPHLET, instruction (B)			

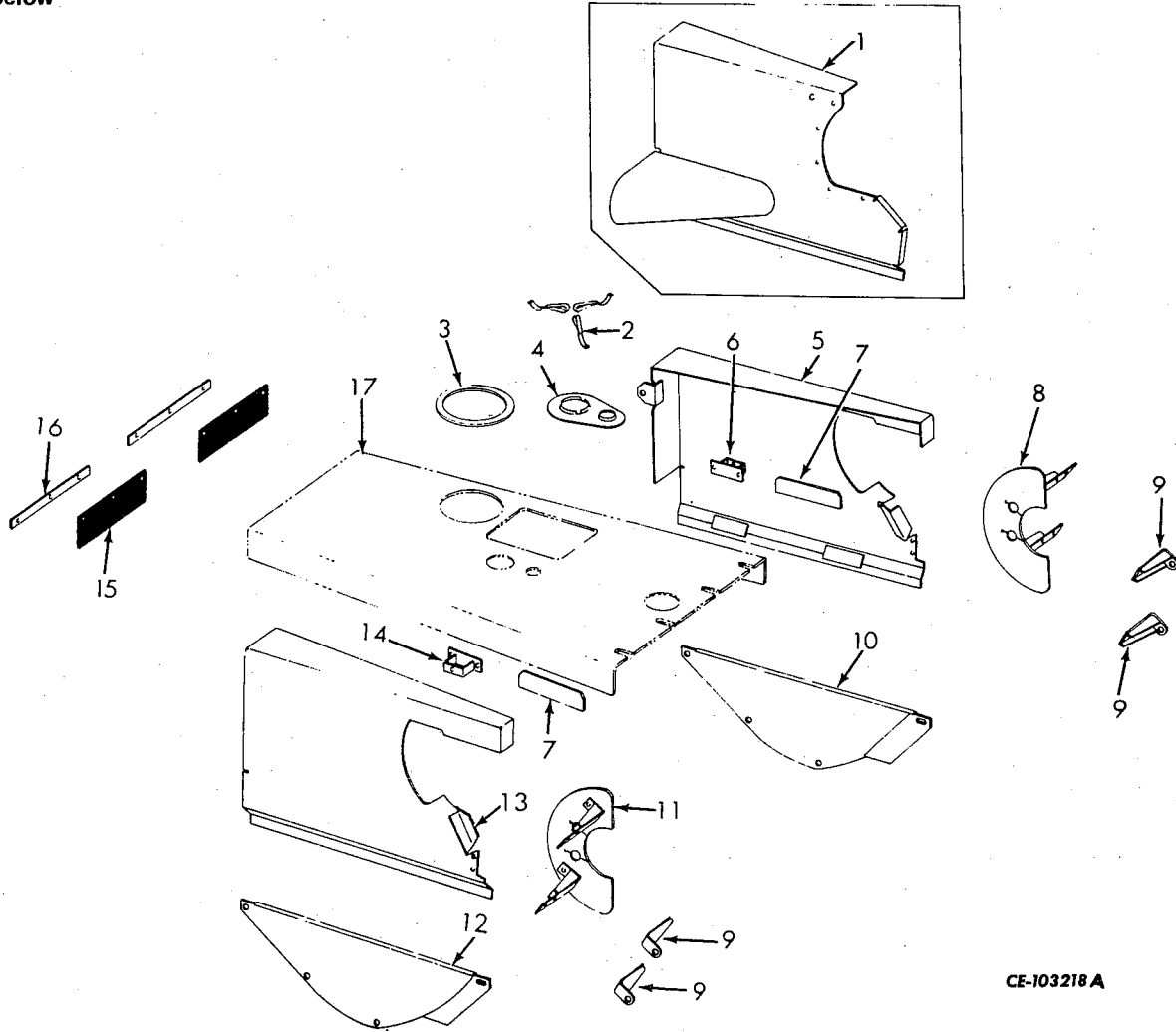
SUPERSTRUCTURE

MEMORANDA

SUPERSTRUCTURE

REF. NO.	PART NUMBER	DESCRIPTION	REF. NO.	PART NUMBER	DESCRIPTION
----------	-------------	-------------	----------	-------------	-------------

ENGINE SIDE ENCLOSURE
 (For Models equipped with Hydraulic Radiator Guard)
 (For Models not equipped with Bullgrader Blade)
 (Not For Low Ground Pressure)
 4229 and below



CE-103218A

A	629 577 C91	ATTACHMENT, engine side enclosure w/perforated hood (For Power Shift) (See NOTE 3) 3647 and below	F	629 580 C91	ATTACHMENT, engine side enclosure (For Manual Shift models equipped w/solid hood) (See NOTE 3)
B	709 338 C91	ATTACHMENT, engine side enclosure w/perforated hood (For Power Shift) (See NOTE 3) 3648 to 4229	1	628 462 C1 24 860 R1 24 865 R1 25 536 R1	DOOR, RH (C, D, F) SCREW, 1/2 x 1" hex-hd cap (2) SCREW, 1/2 x 2-1/4" hex-hd cap WASHER, flat (3) SPACER (1/2 x 1.375") (obtain locally)
C	629 579 C91	ATTACHMENT, engine side enclosure w/perforated hood (For Manual Shift)(See NOTE 3) 3647 and below	2	657 122 C1	SPRING, cover retainer (3)
D	709 339 C91	ATTACHMENT, engine side enclosure w/perforated hood (For Manual Shift) (See NOTE 3) 3648 to 4229	3	657 314 C1	SEAL, air stack
E	629 578 C91	ATTACHMENT, engine side enclosure (For Power Shift models equipped w/solid hood) (See NOTE 3)	4	651 389 C1	COVER, exhaust tube hood closure
			NOTE 3:		Field Application - Order through Regular Parts Channels.

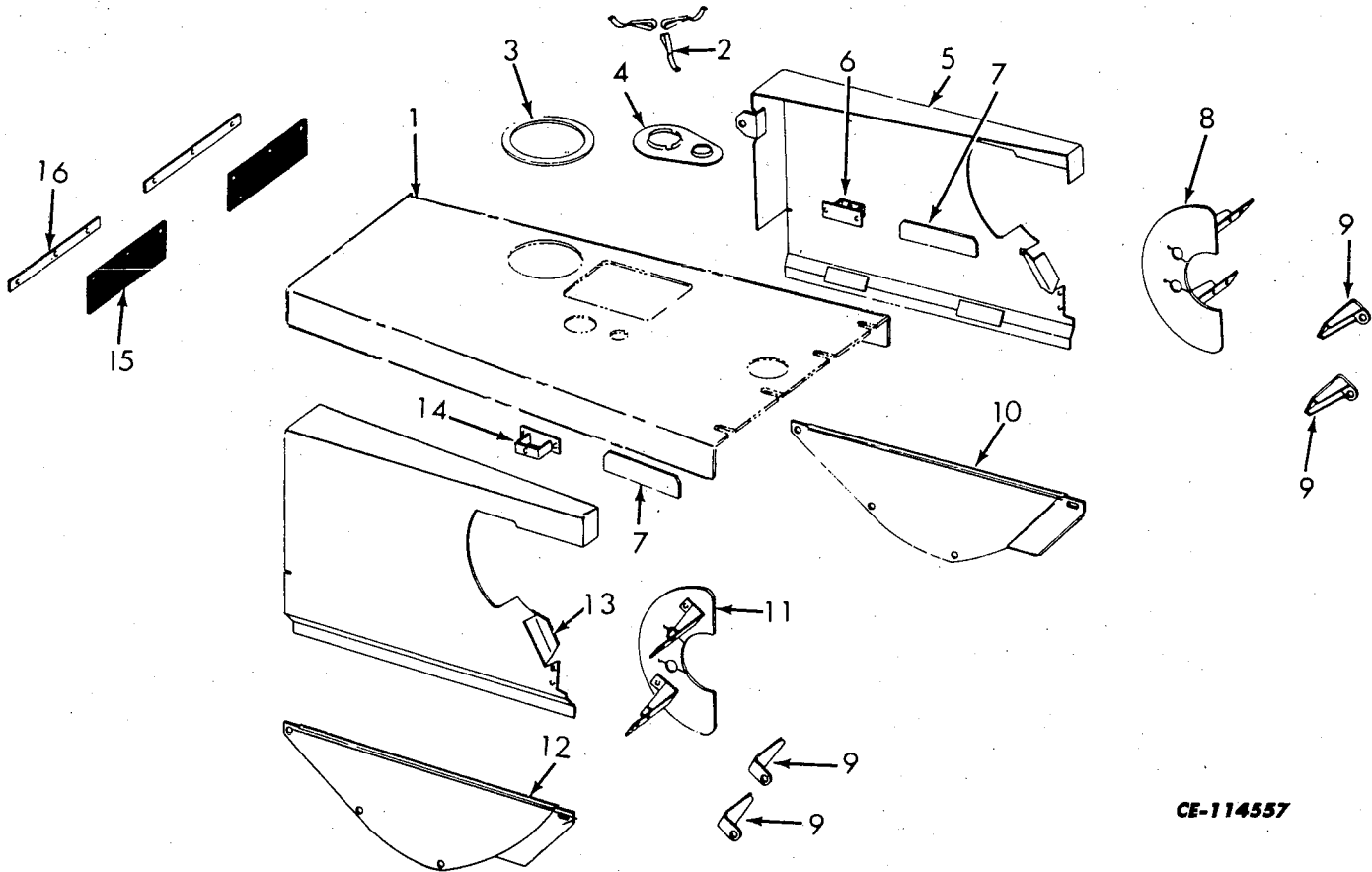
SUPERSTRUCTURE

REF. NO.	PART NUMBER	DESCRIPTION	REF. NO.	PART NUMBER	DESCRIPTION
ENGINE SIDE ENCLOSURE — Continued					
(For Models equipped with Hydraulic Radiator Guard)					
(For Models not equipped with Bullgrader Blade)					
(Not For Low Ground Pressure)					
4229 and below					
5	628 460 C1	DOOR, LH (Perforated)			
	24 860 R1	SCREW, 1/2 x 1" hex-hd cap (2)			
	24 865 R1	SCREW, 1/2 x 2-1/4" hex-hd cap			
	25 536 R1	WASHER (3) SPACER (1/2 x 1.375") (Obtain locally)			
6	651 381 C1	BRACKET, LH door mounting			
	25 526 R1	NUT (2)			
	24 860 R1	SCREW, hex-hd cap (2)			
	25 536 R1	WASHER, flat (2)			
7	651 402 C1	SEAL, hood and radiator guard (2)			
8	661 671 C1	SEAL, LH hydraulic tube opening			
9	661 676 C1	BRACKET, seal support (4)			
	24 840 R1	SCREW, hex-hd cap (8)			
	25 534 R1	WASHER, flat (8)			
10	651 165 C1	SHEET, LH engine side			
11	661 672 C1	SEAL, RH hydraulic tube opening			
12	651 166 C1	SHEET, RH engine side			
13	628 461 C1	DOOR, RH (Perforated) (A, B, E)			
	24 860 R1	SCREW, 1/2 x 1" hex-hd cap (2)			
	24 865 R1	SCREW, 1/2 x 2-1/4" hex-hd cap			
	25 536 R1	WASHER, flat (3) SPACER (1/2 x 1.375") (Obtain locally)			
14	651 382 C1	BRACKET, RH door mounting			
	25 526 R1	NUT (2)			
	24 860 R1	SCREW, hex-hd cap (2)			
	25 536 R1	WASHER, flat (2)			
15	657 300 C1	COVER, rear cover sheet access (2)			
16	657 301 C1	STRIP, access cover stiffener (2)			
	24 840 R1	SCREW, hex-hd cap (4)			
	25 534 R1	WASHER, flat (4)			
17		HOOD, perforated (Refer to "HOOD DASH and SUPPORTS") (A, B, C, D)			
	629 584 C1	CLAMP, RH door lower (B, D)			
	661 770 C1	CLAMP, RH door lower (A, C, E, F)			
	25 522 R1	NUT (2)			
	25 496 R1	SCREW, hex-hd cap (2)			
	25 534 R1	WASHER, flat (2)			
	629 583 C1	CLAMP, LH door lower (B, D)			
	661 769 C1	CLAMP, LH door lower (A, C, E, F)			
	25 522 R1	NUT (2)			
	25 496 R1	SCREW, hex-hd cap (2)			
	25 534 R1	WASHER, flat (2)			
		DRAWING, hood rework (E, F)			
	661 289 C2	SEAL, aspirator tube			

SUPERSTRUCTURE

REF. NO.	PART NUMBER	DESCRIPTION	REF. NO.	PART NUMBER	DESCRIPTION
----------	-------------	-------------	----------	-------------	-------------

ENGINE SIDE ENCLOSURE
 (For Models equipped with Bullgrader Blade)
 (Not For Low Ground Pressure)
 4229 and below



CE-114557

A	636 198 C91	ATTACHMENT, engine side enclosure (For Power Shift models equipped w/solid hood) (See NOTE 3)	2	657 122 C1	SPRING, cover retainer (3)
B	636 225 C91	ATTACHMENT, engine side enclosure (For Power Shift models equipped w/perforated hood) (See NOTE 3)	3	657 314 C1	SEAL, air stack
1		HOOD, perforated (Refer to "Hood, Dash and Supports") (B)	4	651 389 C1	COVER, exhaust tube hood closure

NOTE 3: Field Application - Order through Regular Parts Channels.

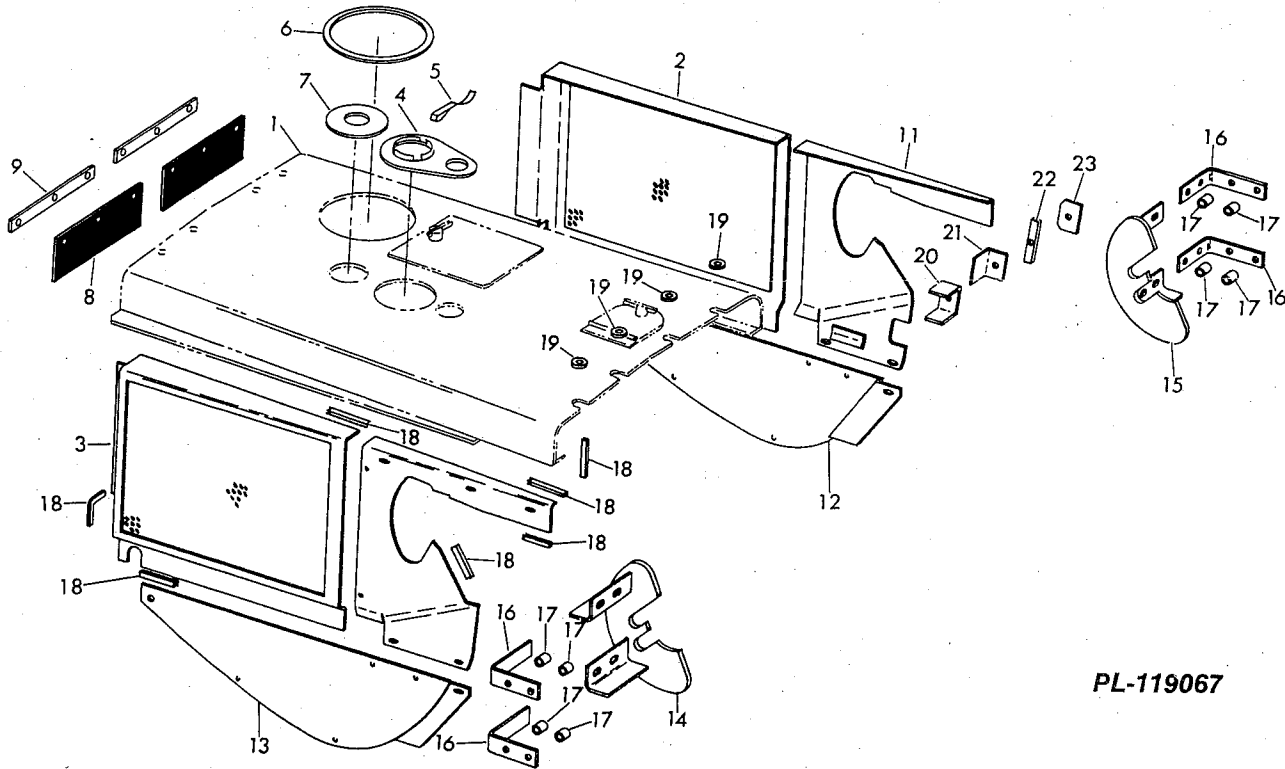
SUPERSTRUCTURE

REF. NO.	PART NUMBER	DESCRIPTION	REF. NO.	PART NUMBER	DESCRIPTION
ENGINE SIDE ENCLOSURE – Continued					
(For Models equipped with Bullgrader Blade)					
(Not For Low Ground Pressure)					
4229 and below					
5	628 460 C1	DOOR, LH (Perforated)			
	24 860 R1	SCREW, 1/2 x 1" hex-hd cap (2)			
	24 865 R1	SCREW, 1/2 x 2-1/4" hex-hd cap			
	25 536 R1	WASHER (3)			
		SPACER (1/2 x 1.375") (Obtain locally)			
6	651 381 C1	BRACKET, LH door mounting			
	25 526 R1	NUT (2)			
	24 860 R1	SCREW, hex-hd cap (2)			
	25 536 R1	WASHER, flat (2)			
7	651 402 C1	SEAL, hood and radiator guard (2)			
8	668 090 C1	SEAL, LH tube opening			
9	661 676 C1	BRACKET, seal support (4)			
	24 840 R1	SCREW, hex-hd cap (8)			
	25 534 R1	WASHER, flat (8)			
10	651 165 C1	SHEET, LH engine side			
11	668 091 C1	SEAL, RH tube opening			
12	651 166 C1	SHEET, RH engine side			
13	628 461 C1	DOOR, RH (Perforated)			
	24 860 R1	SCREW, 1/2 x 1" hex-hd cap (2)			
	24 865 R1	SCREW, 1/2 x 2-1/4" hex-hd cap			
	25 536 R1	WASHER, flat (3)			
		SPACER (1/2 x 1.375") (Obtain locally)			
14	651 382 C1	BRACKET, RH door mounting			
	25 526 R1	NUT (2)			
	24 860 R1	SCREW, hex-hd cap (2)			
	25 536 R1	WASHER, flat (2)			
15	657 300 C1	COVER, rear cover sheet access (2)			
16	657 301 C1	STRIP, access cover stiffener (2)			
	24 840 R1	SCREW, hex-hd cap (4)			
	25 534 R1	WASHER, flat (4)			
17		HOOD, perforated (Refer to "HOOD, DASH and SUPPORTS") (B)			
	629 584 C1	CLAMP, RH door lower			
	25 522 R1	NUT (2)			
	25 496 R1	SCREW, hex-hd cap (2)			
	25 534 R1	WASHER, flat (2)			
	629 583 C1	CLAMP, LH door lower			
	25 522 R1	NUT (2)			
	25 496 R1	SCREW, hex-hd cap (2)			
	25 534 R1	WASHER, flat (2)			
	661 289 C2	SEAL, aspirator tube			

SUPERSTRUCTURE

REF. NO.	PART NUMBER	DESCRIPTION	REF. NO.	PART NUMBER	DESCRIPTION
----------	-------------	-------------	----------	-------------	-------------

ENGINE SIDE ENCLOSURE
(Not For Low Ground Pressure)
4230 and up



PL-119067

A	679 306 C91	ATTACHMENT, engine side enclosure (For Power Shift models equipped w/solid hood) (See NOTE 3) (+)	F	679 312 C91	ATTACHMENT, cover with tilt engine enclosure (For Power Shift models equipped with engine enclosure and Hydraulic Tilt) (See NOTE 3)
B	679 309 C91	ATTACHMENT, engine side enclosure (For Power Shift models equipped w/perforated hood) (See NOTE 3)(+)	1		HOOD (Refer to "Hood, Dash and Supports") (A, B, C and D)
C	679 307 C91	ATTACHMENT, engine side enclosure (For Power Shift models equipped w/solid hood)(See NOTE 3) (%)	2	709 111 C1	DOOR, LH engine side enclosure (A, B, C and D)
				24 861 R1	BOLT (4)
				25 555 R1	WASHER (4)
D	679 308 C91	ATTACHMENT, engine side enclosure (For Power Shift models equipped w/perforated hood)(SeeNOTE 3)(%)	3	709 112 C1	DOOR, RH engine side enclosure (A, B, C, and D)
				24 861 R1	BOLT (4)
				25 555 R1	WASHER (4)
E	679 310 C91	ATTACHMENT, cover without tilt engine enclosure (For Power Shift models equipped w/engine enclosure)(Not For Use With Hydraulic Tilt) (See NOTE 3)	4	651 389 C1	COVER, hood opening exhaust tube (A, B, C and D)

SUPERSTRUCTURE

REF. NO.	PART NUMBER	DESCRIPTION	REF. NO.	PART NUMBER	DESCRIPTION
ENGINE SIDE ENCLOSURE -- Continued (Not For Low Ground Pressure) 4230 and up			20	709 094 C1	CLOSURE, lower (LH enclosure tilt line access hole) (F)
				25 278 R1	BOLT
				25 555 R1	WASHER
5	657 122 C1	SPRING, retainer exhaust tube cover (3) (A, B, C and D)	21	709 384 C1	CLOSURE, upper (LH enclosure tilt line access hole) (F)
6	657 314 C1	SEAL, pre-cleaner (A, B, C and D)	22	650 374 C1	SUPPORT (E)
7	661 289 C2	SEAL, aspirator tube (2)(A,B,C and D)	23	709 093 C1	CLOSURE (E)
8	657 300 C1	COVER, access rear cover sheet (2) (A, B, C and D)		24 863 R1	BOLT
				25 555 R1	WASHER
9	657 301 C1	STRIP, access cover stiffener (2)(A, B, C and D)			
	24 840 R1	BOLT (4)			
	25 534 R1	WASHER (4)			
	104 941	PLUG, rad. guard crosstube mounting bracket (4)			
10	709 110 C1	ENCLOSURE, RH front engine side (A, B, C and D)			
	24 861 R1	BOLT (5)			
	25 555 R1	WASHER (5)			
11	709 109 C1	ENCLOSURE, LH front engine side (A, B, C and D)			
	24 861 R1	BOLT (5)			
	25 555 R1	WASHER (5)			
12	709 107 C1	SHEET, LH engine side (A,B,C and D)			
13	709 108 C1	SHEET, RH engine side (A,B,C and D)			
14	709 305 C1	SEAL, RH hyd. tube opening(A & B)			
	24 862 R1	BOLT (4)			
	25 555 R1	WASHER (4)			
14	709 286 C1	SEAL, RH hyd. tube opening (C & D)			
15	709 304 C1	SEAL, LH hyd. tube opening (A & B)			
	24 862 R1	BOLT (4)			
	25 555 R1	WASHER (4)			
15	709 285 C1	SEAL, LH hyd. tube opening (C & D)			
16	709 289 C1	BRACKET, yoke cap (4) (A, B, C & D)			
17	621 784 R1	SPACER, pipe (8) (A, B, C and D)			
	24 880 R1	BOLT (8)			
	25 556 R1	WASHER (8)			
18	668 290 C1	TRIM (x) (A,B, C and D)			
19	334 950 R2	WASHER, hood shaft pilot (4) (A & C)			
19	334 951 R1	WASHER, hood shaft pilot (4) (B & D)			

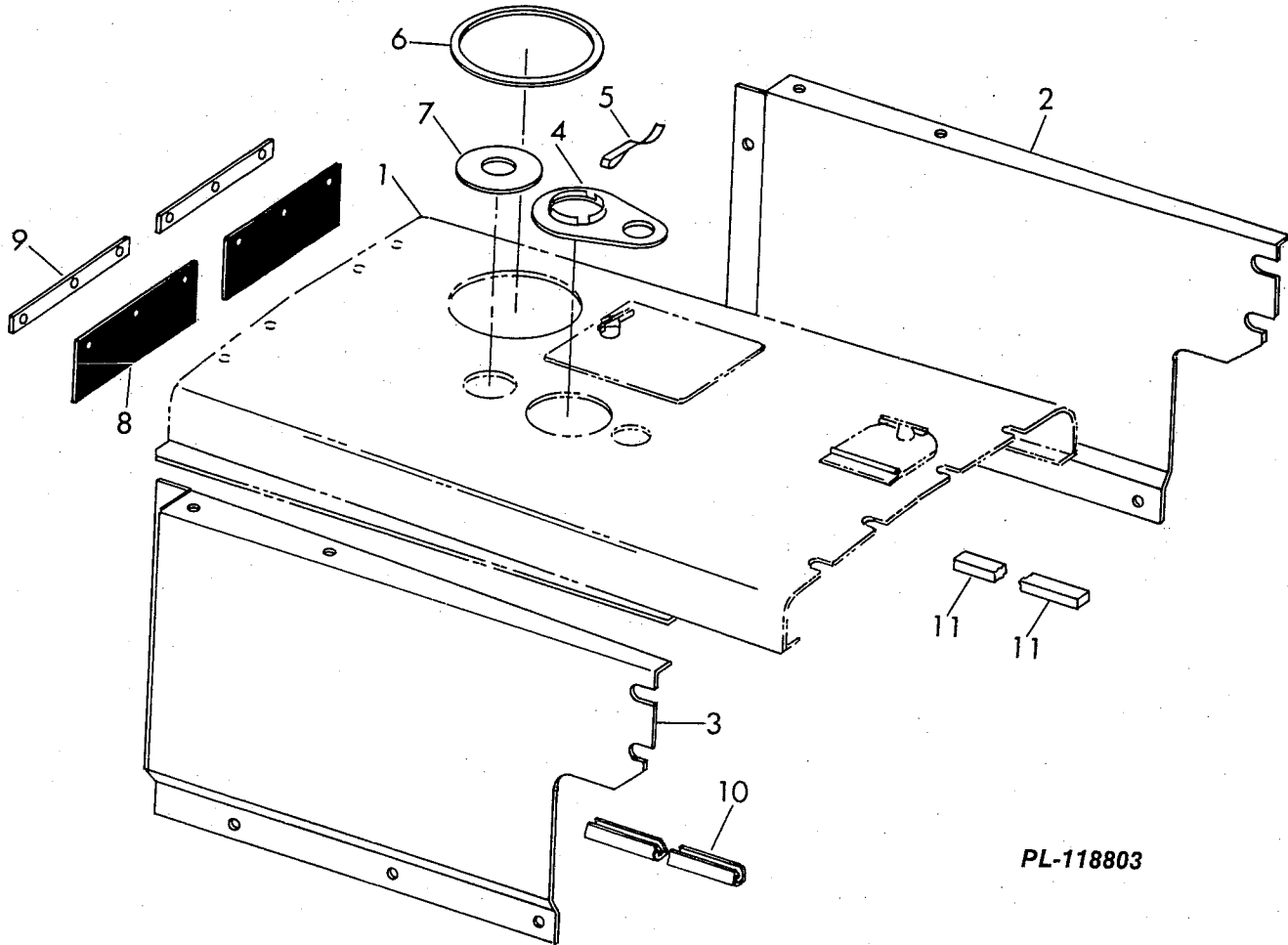
NOTE 3: Field Application -- Order Through Regular Parts Channels.

+ - For Models equipped with Bullgrader Blade and Engine Enclosure Cover
 (%) - For Models equipped with Hydraulic Radiator Guard and Engine Enclosure Cover. Not For Use w/Bullgrade Blade.

SUPERSTRUCTURE

REF. NO.	PART NUMBER	DESCRIPTION	REF. NO.	PART NUMBER	DESCRIPTION
----------	-------------	-------------	----------	-------------	-------------

ENGINE SIDE ENCLOSURE
 (For Models Equipped with or without Hydraulic Tilt)
 (For Low Ground Pressure)



PL-118803

1		HOOD (refer to "Hood, Dash and Supports")	5	657 122 C1	SPRING, retainer exhaust tube cover
2	717 382 C1	DOOR, LH engine side enclosure	6	657 314 C1	SEAL, air stack
	24 861 R1	SCREW, hex-h cap (9)	7	661 289 C2	SEAL, aspirator tube
	25 555 R1	WASHER, hardened (9)	8	657 300 C1	COVER, access rear cover sheet (2)
	334 951 R1	SPACER (2)	9	657 301 C1	STRIP, access cover stiffener (2)
3	717 383 C1	DOOR, RH engine side enclosure		24 840 R1	SCREW, hex-hd cap (4)
	24 861 R1	SCREW, hex-hd cap (9)		25 534 R1	WASHER, hardened (4)
	25 555 R1	WASHER, hardened (9)	10	668 290 C1	TRIM, door and hood (x)
	334 951 R1	SPACER (2)	11	732 056 C1	SEAL, hood and guard (2)
4	651 389 C1	COVER, hood opening exhaust tube			

SUPERSTRUCTURE

REF. NO.	PART NUMBER	DESCRIPTION	REF. NO.	PART NUMBER	DESCRIPTION
CAB AND RELATED ATTACHMENTS			710 461 C91		PACKAGE, air conditioner-heater and support (Machines must be equipped with CAB) (See NOTE 2)(Not used w/CAB HEATER ATTACHMENT) (Consists of - 1 ATTACHMENT, air conditioning heater and piping (%) 710 462 C91 1 ATTACHMENT, air conditioning freon compressor (%) 710 465 C91 1 ATTACHMENT, heater plumbing (%) 632 461 C91 1 ATTACHMENT, exhaust pipe extension (%) 710 013 C91
711 975 C91		ATTACHMENT, cab (Must be equipped w/offset arched Canopy and Battery Venting Box) (Consists of CAB, 711 979 C91) (*) (See NOTE 4)			
740 024 C91		ATTACHMENT, cab (must be equipped w/straight Canopy and Battery Venting Box) (Consists of CAB, 740 025 C91) (*) (See NOTE 4) 4229 and below			
736 020 C91		ATTACHMENT, cab (Must be equipped w/straight Canopy and Battery Venting Box) (Consists of CAB, 736 021 C91) (*) (See NOTE 2) 4230 and up	736 021 C91		CAB ASSY., (Part of ATTACHMENT, 736 020 C91) (*) 4230 and up
668 900 C91		ATTACHMENT, fan defroster (Must be equipped with heavy duty alternator) (Consists of Defroster Fan, 668 901 C91) (*) (See NOTE 3)			
668 892 C91		ATTACHMENT, cab heater (Must be equipped w/Cab, Heater Piping and Heavy Duty Alternator) (Consists of CAB HEATER, 668 893 C91) (*) (See NOTE 4)			
740 275 C91		ATTACHMENT, cab heater (Must be equipped w/Cab, Heater Piping and Heavy Duty Alternator) (Consists of CAB HEATER, 740 276 C91)(*) (See NOTE 3) 4230 and up			
668 894 C91		ATTACHMENT, cab light dome (Must be equipped with heavy duty alternator) (Consists of CAB LIGHT DOME, 668 895 C91) (*) (See NOTE 3)			
668 896 C91		ATTACHMENT, windshield wiper (Must be equipped with heavy duty alternator) (Consists of WINDSHIELD WIPER, 668 897 C91) (*) (See NOTE 3)			

* - For service parts contact:
 CAMPBELL CAB CORP.
 120 West Kent Avenue
 Wauconda, Illinois 60084

% - Attachments Listed And Illustrated Throughout Catalog.

NOTE 2 - Field Application - Order On Machine Order Form.

NOTE 3 - Field Application - Order through regulat service parts channels.

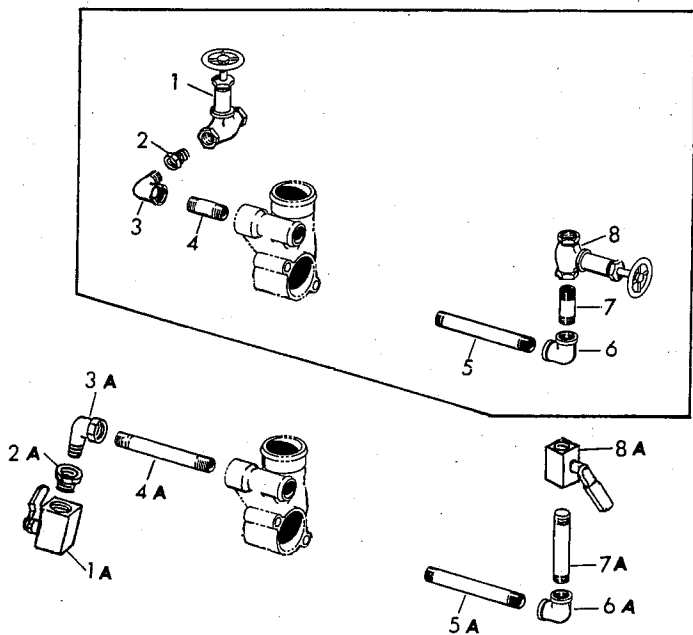
NOTE 4 - Attachment No Longer Available - Service Parts Will Be Furnished.

SUPERSTRUCTURE

REF. NO.	PART NUMBER	DESCRIPTION	REF. NO.	PART NUMBER	DESCRIPTION
----------	-------------	-------------	----------	-------------	-------------

PLUMBING, CAB HEATER

5	187 249	NIPPLE, heater inlet	6	192 651	ELBOW, heater inlet (Used w/NIPPLE, 190 717) (@)
6A	119 098	ELBOW, heater inlet (Used w/NIPPLE, 219 333) (#)	7	190 717	NIPPLE, heater inlet (3/4 x 2") (@)
7A	219 333	NIPPLE, heater inlet (1/2 x 4-1/2") (#)	8	647 610 C1	VALVE, heater inlet (3/4")
8A	711 925 C1	VALVE, heater inlet (1/2")			



CE-109048 A

632 461 C91 ATTACHMENT, plumbing cab heater
 (Must be equipped with cab heater)
 (See NOTE 3)(Part of PACKAGE,
 710 461 C91)
 (Consists of -

1	647 610 C1	VALVE, heater outlet (3/4")			
1A	711 925 C1	VALVE, heater outlet (1/2")			
2	115 224	ADAPTER, reducing (3/4 x 3/8") (Used w/ELBOW, 120 063) (@)			
2A	120 322	ADAPTER, reducing (1/2 x 3/8") (Used w/ELBOW, 120 063) (#)			
3	141 621	ELBOW, heater outlet (3/4") (Used w/ NIPPLE, 187 249) (@)			
3A	120 063	ELBOW, heater outlet (3/8") (Used w/ ADAPTER, 120 322) (@) (#)			
4	126 168	NIPPLE, heater outlet (3/4 x 3") (Used w/ELBOW, 141 621) (@)			
4	144 603	NIPPLE, heater outlet (3/8 x 3") (Used w/ELBOW, 120 063) (@)			
4A	191 296	NIPPLE, heater outlet (3/8 x 4-1/2") (Used w/ELBOW, 120 063) (#)			

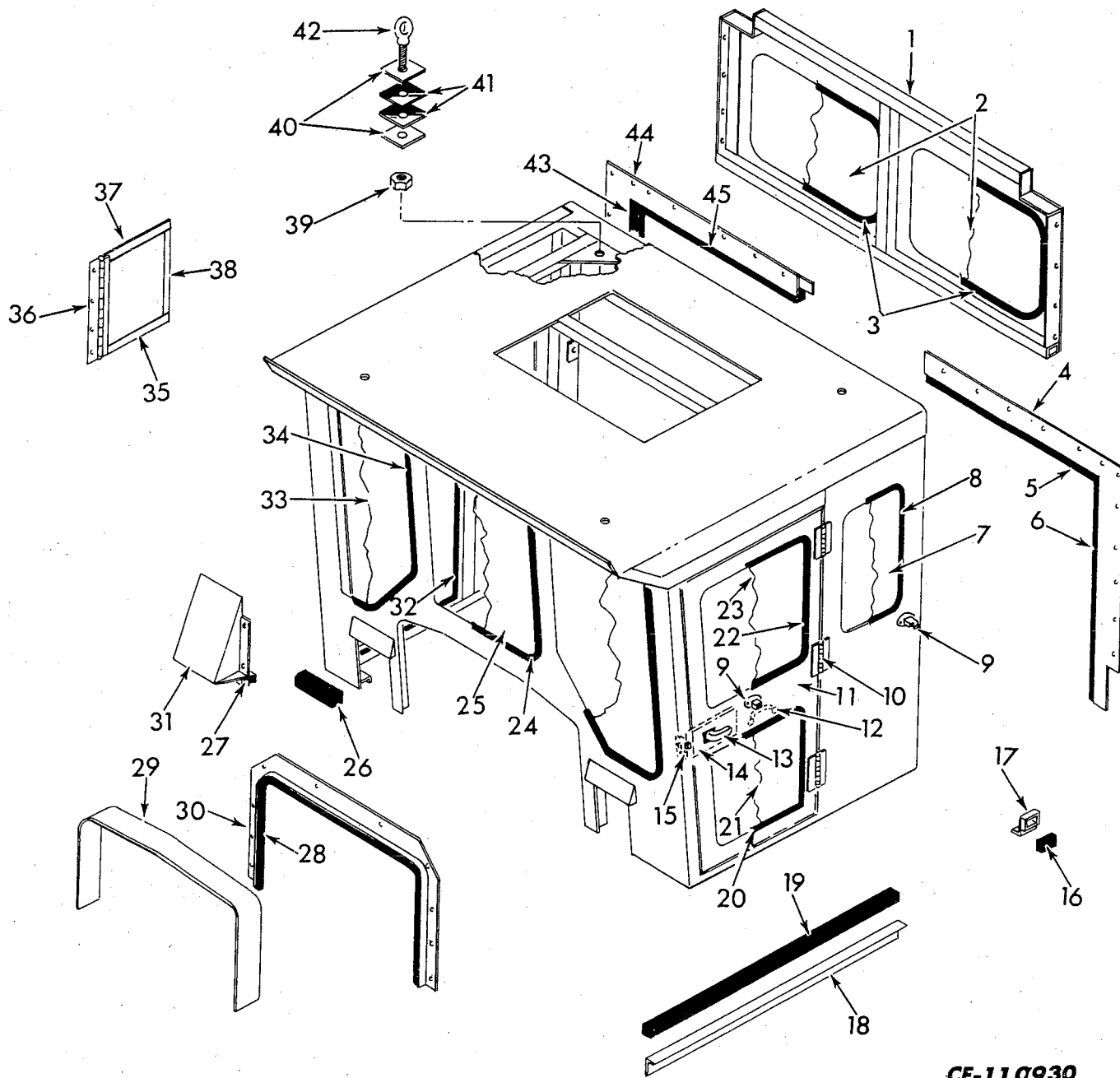
(@) - Used w/VALVE, 647 610 C1
 (#) - Used W/VALVE, 711 925 C1

SUPERSTRUCTURE

MEMORANDA

SUPERSTRUCTURE

CAB ASSEMBLY
4229 and below



CE-110930

SUPERSTRUCTURE

REF. NO.	PART NUMBER	DESCRIPTION	REF. NO.	PART NUMBER	DESCRIPTION
CAB ASSEMBLY — Continued			27	40 006-1	GASKET, boot bottom (3/4 x 2 x 13") (2)
4229 and below			28	40 005-12	STRIP, sponge
A	740 025 C91	CAB ASSY. (Part of ATTACHMENT, 740 024 C91) (See NOTE)	29	50 488	EXTENSION, front cowl
B	711 974 C91	CAB ASSY. (Part of ATTACHMENT, 711 975 C91) (See NOTE) (Consists of the following parts -	30	90 119	PANEL, front filler
1	90 270	PANEL ASSY., rear window (A)	31	90 041	BOOT ASSY., front R.O.P.S. (2)
1	90 049	PANEL ASSY., rear window (B)	32	40 015-1	GASKET, door (Standard door) (2)
2	20 009-31	GLASS, rear panel (2)	33	20 010-1	GLASS, front panel - LH/RH (2)
3	40 014-9	RUBBER, window - RH/LH (2)	34	40 014-11	RUBBER, window - LH/RH (2)
4	90 308	PANEL, rear filler - LH	35	40 017-6	STRIP, vinyl seal
5	40 005-15	STRIP, sponge	36	90 107	DOOR ASSY., hydraulic access
6	40 005-15	STRIP, sponge	37	40 017-6	STRIP, vinyl seal
7	20 009-21	GLASS, quarter panel (2)	38	40 017-5	STRIP, vinyl seal
8	40 014-8	RUBBER, window - RH/LH (2)	39	60 014	NUT, 3/4-10 elastic stop (4)
9	60 008	HOLD-BACK, door (Set) (2)	40	50 286	WASHER, steel flat (8)
10	60 015	HINGE, door (6)	41	40 001	PAD, rubber (8)
11	90 143-1	DOOR ASSY., LH	42	60 011	EYEBOLT, 3/4-10 x 4-1/2" (4)
11	90 143	DOOR ASSY., RH	43	40 005-15	STRIP, sponge
12	60 009	PULL, door (Inside) (2)	44	90 309	PANEL, rear filler - RH
13	60 018	HANDLE, door (Outside) (2)	45	40 005-15	STRIP, sponge
14	60 017	LATCH ASSY., door - LH and RH (2)			
15	60 023	PLATE, door latch (2)			
16	40 012-1	RUBBER, stop block (4)			
17	90 087	BRACKET, stop block (4)			
18	50 487	ANGLE, cab support - RH/LH (2)			
19	40 011-4	RUBBER, 40 Duro (2)			
20	40 014-1	RUBBER, window - RH/LH (2)			
21	20 011-1	GLASS, standard door - lower (2)			
22	40 014-2	RUBBER, window - RH/LH (2)			
23	20 011-3	GLASS, standard door - upper (2)			
24	40 014-10	RUBBER, window			
25	20 009-55	GLASS, front panel - center			
26	40 011-5	RUBBER, 40 Duro (2)			

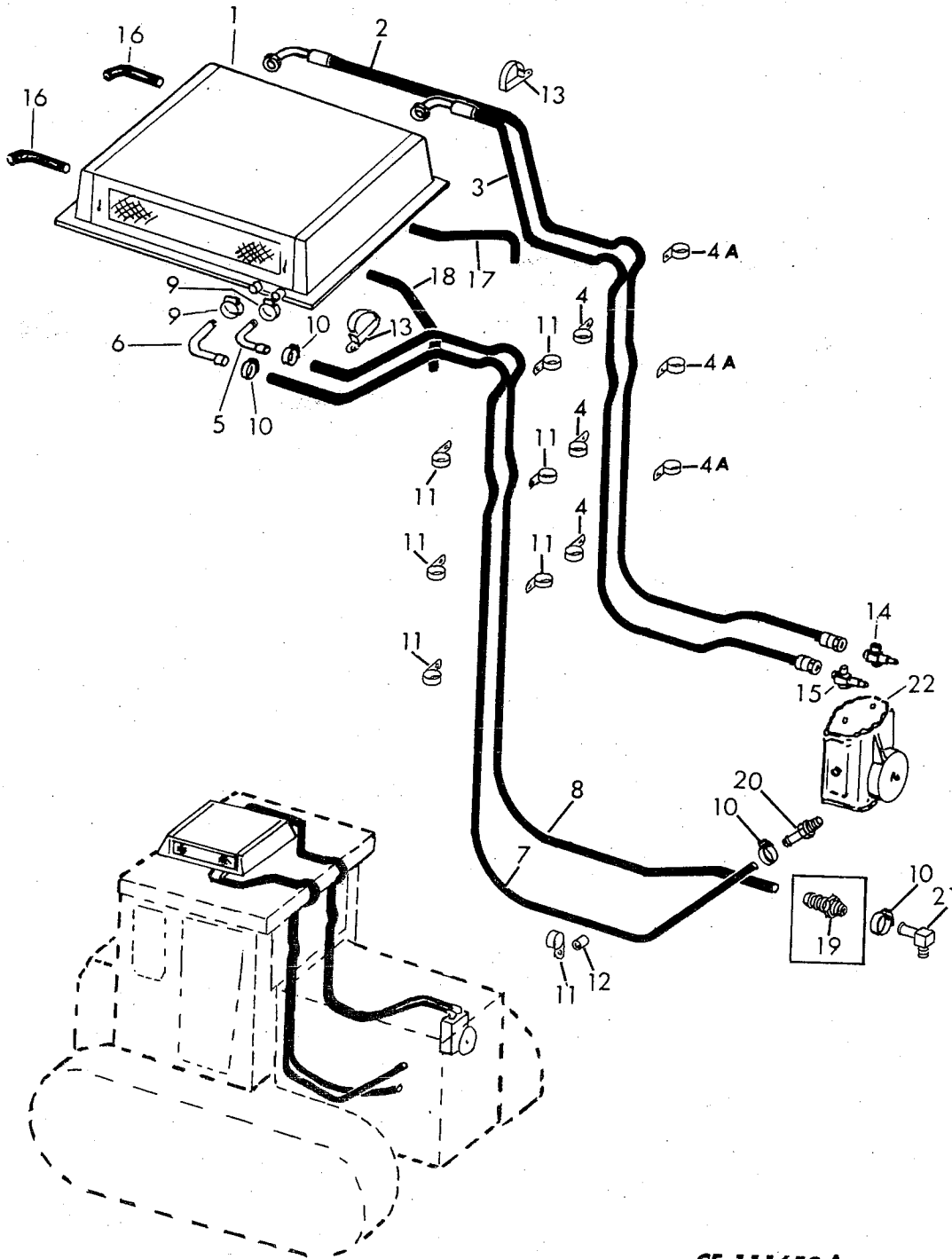
NOTE - For Service Parts Contact:

CAMPBELL CAB CORP.
120 West Kent Avenue
Wauconda, Illinois 60084

SUPERSTRUCTURE

REF. NO.	PART NUMBER	DESCRIPTION	REF. NO.	PART NUMBER	DESCRIPTION
----------	-------------	-------------	----------	-------------	-------------

AIR CONDITIONER PIPING AND RELATED PARTS (For Machines Equipped with Cab)



CE-111650 A

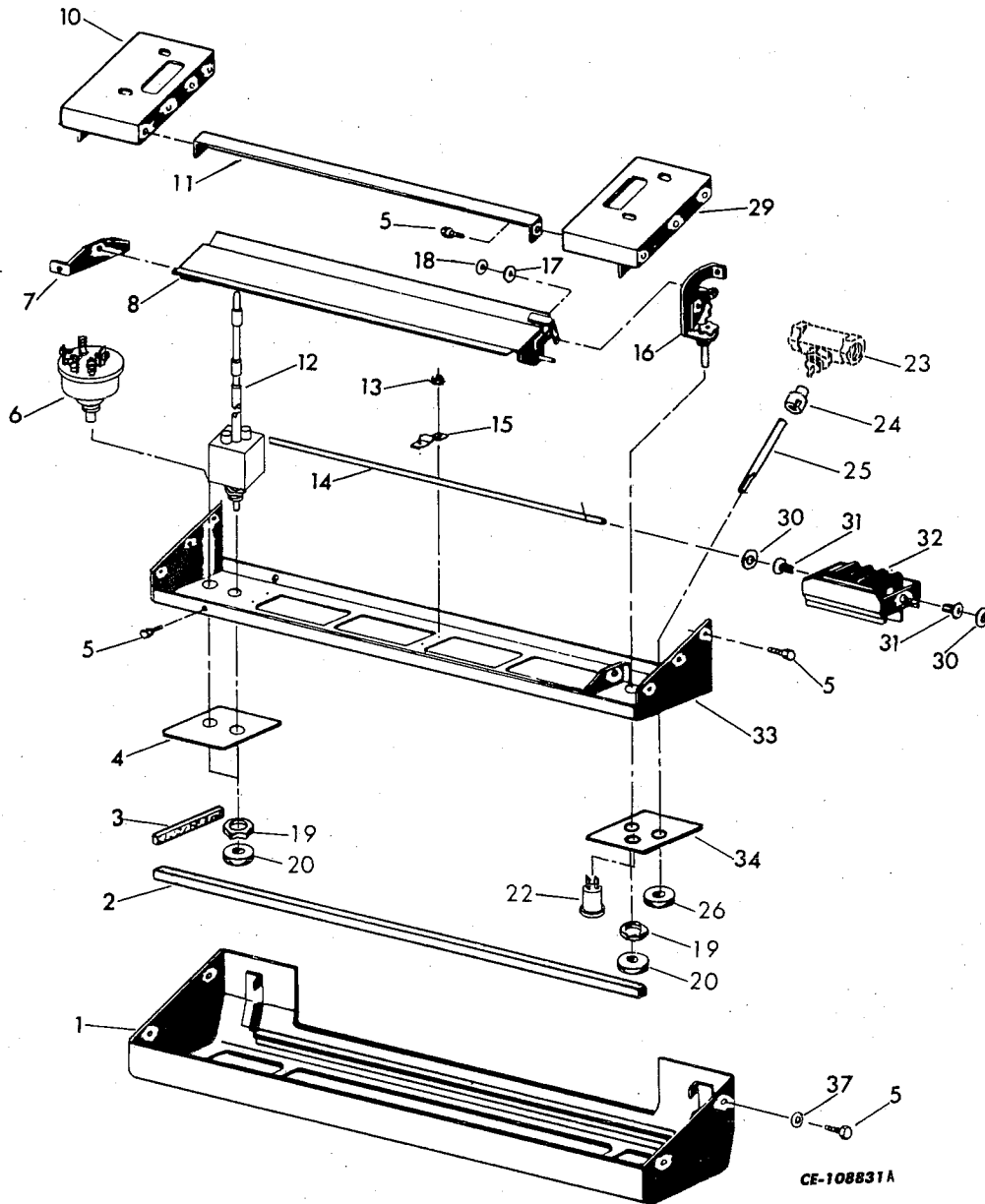
SUPERSTRUCTURE

REF. NO.	PART NUMBER	DESCRIPTION	REF. NO.	PART NUMBER	DESCRIPTION
AIR CONDITIONER PIPING AND RELATED PARTS -					
Continued					
(For Machines Equipped with Cab)					
	710 462 C91	ATTACHMENT, air conditioner/ heater and piping (Also part of PACKAGE, 710 461 C91) (See NOTE 2) (Consists of the following parts -	18	647 897 C1	HOSE, air conditioner drain
1	668 589 C92	AIR CONDITIONER AND HEATER ASSY (Consists of all parts listed under "Air Conditioner")	19	864 444 R1	NIPPLE, heater hose (Used w/VALVE, 647 610 C1)
	25 526 R1	NUT, hex (12)	20	864 441 R1	NIPPLE, heater hose (Used w/VALVE, 711 925 C1)
	24 862 R1	SCREW, hex-hd cap (12)	21	864 459 R1	ELBOW, heater hose (Used w/VALVE, 711 925 C1)
	25 546 R1	WASHER, flat (12)		317 262 R1	CLAMP (2)
	116 121	WASHER, lock (12)	22		COMPRESSOR, Freon (Refer to "Freon Compressor and Related Parts")
2	710 063 C2	HOSE w/FITTINGS, compressor discharge (HOSE, 13/32" ID x 153" long including FITTINGS)		635 577 C1	CABLE, magnetic clutch connector to A/C connector (%)
3	710 065 C2	HOSE w/FITTINGS, compressor suction (HOSE, 1/2" ID x 125" long including FITTINGS)		635 578 C1	CABLE, circuit breaker to A/C power connector (%)
4	301 819 R1	CLAMP, compressor (3)		635 576 C1	PACKAGE, connectors and terminals (Consists of § 2 CONNECTORS § 2 TERMINALS)
	171 121	SCREW, hex-hd cap (3)		702 093 C1	STRAP
	25 534 R1	WASHER, flat (3)			
4A	308 581 R1	CLAMP, compressor (3)			
5	710 050 C1	TUBE, heater outlet			
6	710 051 C1	TUBE, heater inlet			
7	740 583 C1	HOSE, heater inlet (3/4 ID x 140" long)(Replaces, 711 803 C1)			
8	740 584 C1	HOSE, heater outlet (3/4 ID x 125" long)(Replaces, 711 803 C1)			
9	122 316 R91	CLAMP, heater tube (2)			
10	27 723 C1	CLAMP, heater hose (4)			
	171 121	SCREW, tapping (3)			
	25 534 R1	WASHER, flat (3)			
11	892 033 C1	CLAMP, heater hose (on cab) (7)			
13	610 213 C91	STRAP, compressor and heater hose (2)			
14	399 419 R1	VALVE, rotolock compressor discharge			§ - Not Furnished Separately.
15	175 086 C1	VALVE, rotolock compressor suction			% - Also Listed And Illustrated With Electric Starting and Lighting For Machines Equipped With Cab.
16	647 895 C1	HOSE, air conditioner drain (2)			NOTE 2 - Field Application - Order On Machine Order Form.
17	647 896 C1	HOSE, air conditioner drain			

SUPERSTRUCTURE

REF. NO.	PART NUMBER	DESCRIPTION	REF. NO.	PART NUMBER	DESCRIPTION
----------	-------------	-------------	----------	-------------	-------------

AIR CONDITIONER (Air Discharge Console)



1	\$	COVER	7	\$	BRACKET, air discharge
2	\$	SEAL, foam	8	\$	DIRECTOR, air
3	\$	SEAL, foam	10	\$	BRACKET, RH mounting
4	\$	PLATE, bezel trim	11	\$	DEFLECTOR, defrost
5	21 026 R1	BOLT (16)	12		SWITCH, thermostat (Refer to "AIR CONDITIONER WIRING")
6		SWITCH, blower (Refer to "AIR CONDITIONER WIRING")			

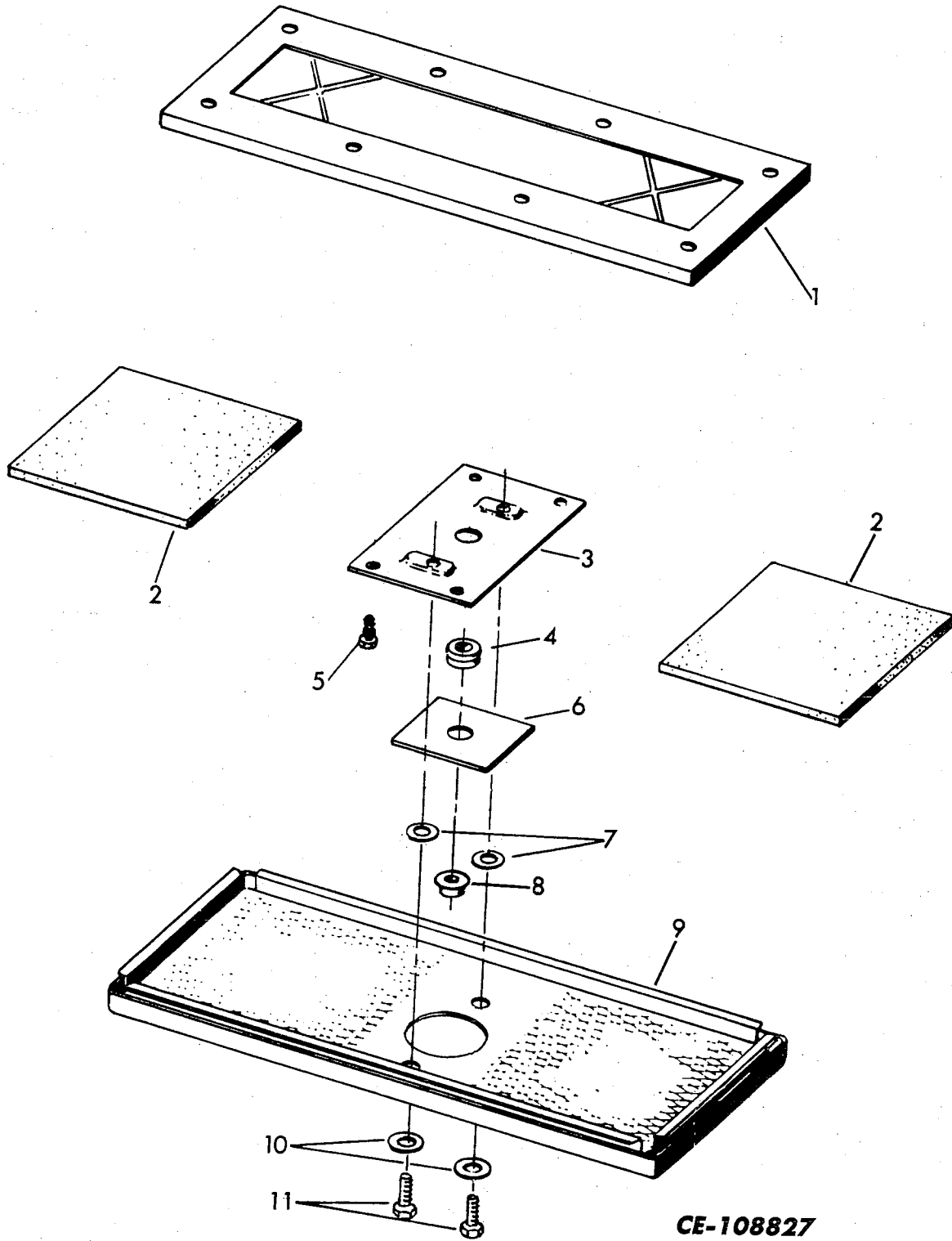
SUPERSTRUCTURE

REF. NO.	PART NUMBER	DESCRIPTION	REF. NO.	PART NUMBER	DESCRIPTION
AIR CONDITIONER - Continued (Air Discharge Console)					
13	\$	NUT w/lock WASHER (6)			
14	\$	SHAFT			
15	\$	STRAP			
16	\$	CONTROL, air director			
17	\$	WASHER, felt			
18	668 737 C1	NUT, spring			
19	\$	NUT, hex (3)			
20	\$	KNOB w/set SCREW			
21	118 664	WASHER (4)			
22		LIGHT, indicator (Refer to "AIR CONDITIONING WIRING")			
23		VALVE, water (Refer to "CONDEN- SER and EVAPORATOR")			
24	\$	COUPLING			
25	647 854 C1	SHAFT, load			
26	\$	KNOB			
29	\$	BRACKET, LH mounting			
30	\$	WASHER, flat (8)			
31	\$	CLIP, tubular (8)			
32	\$	REGISTER (4)			
33	\$	PLATE, register			
34	\$	PLATE, bezel trim			

SUPERSTRUCTURE

REF. NO.	PART NUMBER	DESCRIPTION	REF. NO.	PART NUMBER	DESCRIPTION
----------	-------------	-------------	----------	-------------	-------------

AIR CONDITIONER
(Return Air Console)



CE-108827

SUPERSTRUCTURE

REF. NO.	PART NUMBER	DESCRIPTION	REF. NO.	PART NUMBER	DESCRIPTION
----------	-------------	-------------	----------	-------------	-------------

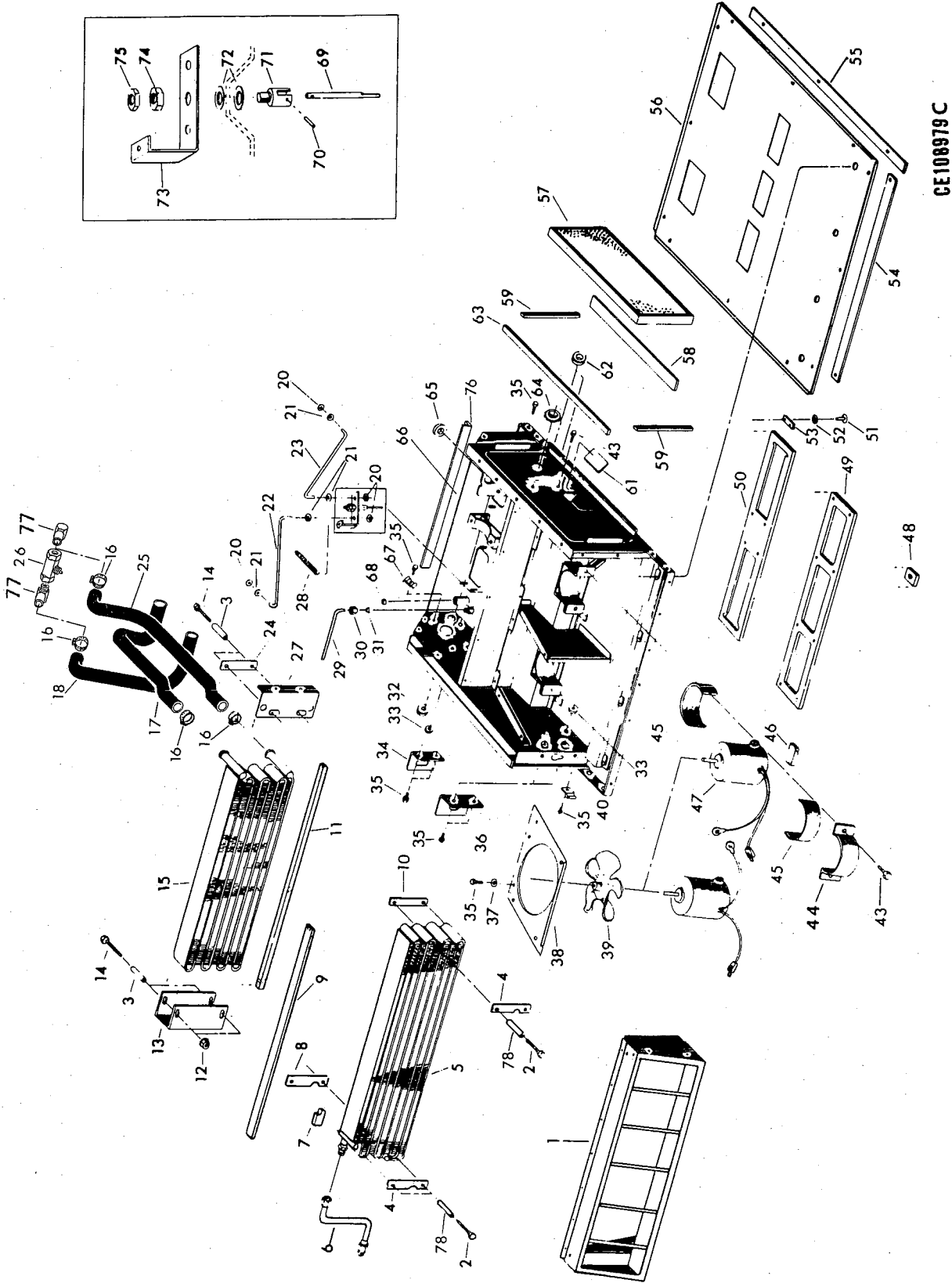
AIR CONDITIONER - Continued (Return Air Console)

1	647 815 C1	FRAME, inner			
2	647 673 C1	FILTER (2)			
3	647 817 C1	PLATE			
4	42 723 H	GROMMET (Replaces 647 876 C1)			
5	26 976 R1	BOLT (4)			
6	\$	PLATE, bezel trim			
7	\$	RETAINER, push nut (2)			
8	\$	KNOB w/set SCREW			
9	647 819 C91	COVER and FRAME ASSY.			
10	\$	WASHER, flat (2)			
11	\$	BOLT (2)			

SUPERSTRUCTURE

REF. NO.	PART NUMBER	DESCRIPTION	REF. NO.	PART NUMBER	DESCRIPTION
----------	-------------	-------------	----------	-------------	-------------

AIR CONDITIONER (Condenser and Evaporator)



CE108979 C

SUPERSTRUCTURE

REF. NO.	PART NUMBER	DESCRIPTION	REF. NO.	PART NUMBER	DESCRIPTION
AIR CONDITIONER - Continued (Condenser and Evaporator)					
1	647 826 C1	CAP, rear end	31	\$	NUT, compression
2	\$	BOLT (4)	32	117 975	GROMMET
3	120 511 H	SPACER (4)	33	443 850	GROMMET (2)
4	\$	PLATE, back-up (2)	34	\$	BRACKET, bottle
5	647 663 C91	COIL, condenser	35	26 976 R1	BOLT (32)
6	647 832 C91	TUBE, condenser	36	\$	BRACKET, bottle mounting
7	\$	SEAL, foam	37	\$	WASHER, flat (17)
8	\$	PLATE, LH condenser mounting	38	\$	SHROUD, condenser fan (2)
9	\$	SEAL, foam	39	647 672 C1	FAN (2)
10	\$	PLATE, RH condenser mounting	40	\$	CLAMP
11	\$	SEAL, rubber	43	25 056 R1	BOLT (14)
12	\$	NUT, hex (2)	44	647 841 C1	STRAP, motor mounting (2)
13	\$	BRACKET, heater mounting, LH	45	\$	PAD, rubber (2)
14	\$	BOLT (4)	46	\$	PAD, rubber (2)
15	631 969 C1	COIL, heater	47		MOTOR, condenser (Refer to "AIR CONDITIONER WIRING")
16	\$	CLAMP (4)		631 999 C1	PAD, rubber (Condenser motor mounting) (4)
17	631 974 C1	HOSE, heater	48	736 101 C1	SEAL, rubber (Replaces, 647 866 C1) (4)
18	631 974 C1	HOSE, heater	49	647 865 C1	SEAL, rubber (Order SEAL, 736 100 C1 and SEAL, 736 099 C1)
20	\$	NUT, spring (4)	49	736 100 C1	SEAL, rubber
21	\$	WASHER, flat (12)	50	647 864 C1	SEAL, rubber (Order SEAL, 736 099 C1 and SEAL, 736 100 C91)
22	\$	ARM, LH door	50	736 099 C1	SEAL, rubber
23	\$	ARM, RH door	51	\$	RIVET, pop (8)
24	\$	PLATE, back-up	52	\$	DIAPHRAGM, rubber (4)
25		HOSE, heater (Cut length 13" long from bulk HOSE, 117 724 C1)	53	647 882 C1	WASHER, flat (12)
26	736 091 C1	VALVE, water (Replaces 631 970 C91)	54		SEAL (Order KIT, 647 678 C91)
27	\$	BRACKET, heater mounting, RH	55		SEAL (Order KIT, 647 678 C91)
28	647 851 C1	SPRING	56	647 869 C1	PAN, mounting
29	\$	TUBE, guide	57	736 087 C1	FILTER w/GASKET, air (Replaces 647 671 C91) (2)
30	\$	SLEEVE, tube			

SUPERSTRUCTURE

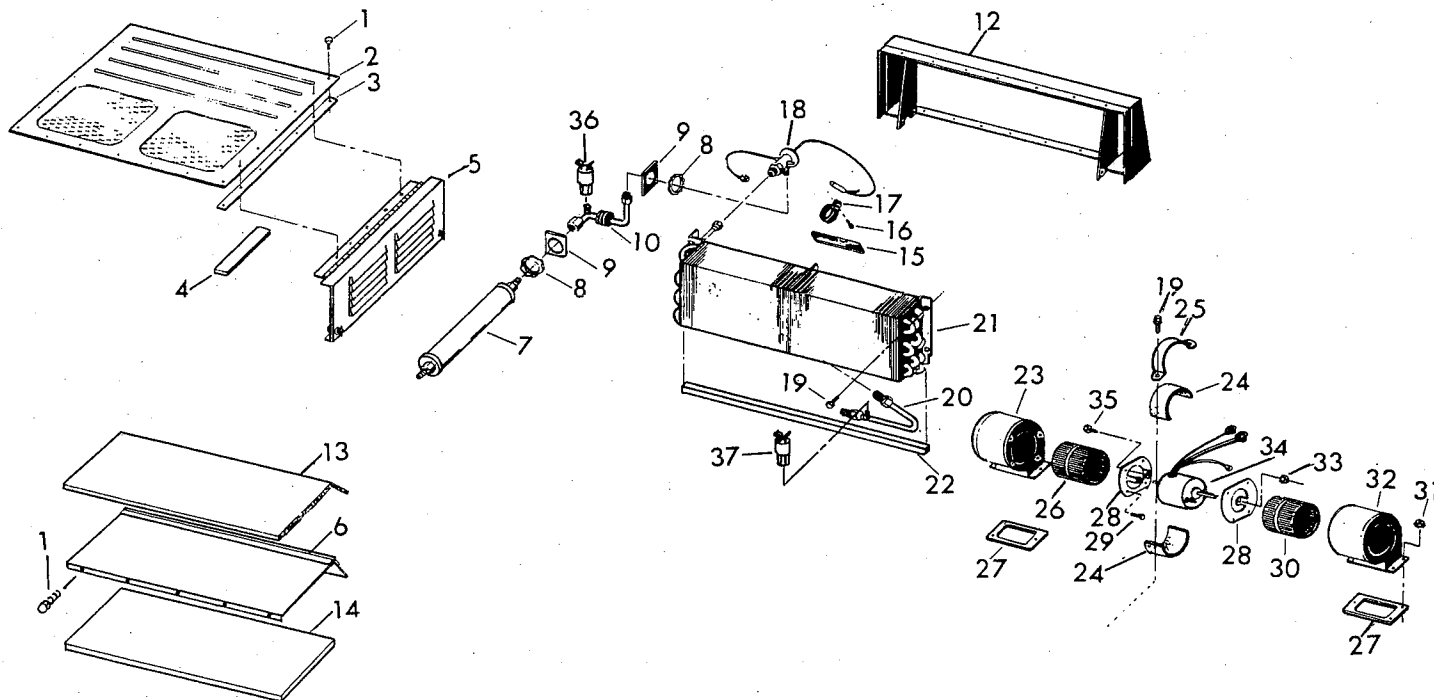
REF. NO.	PART NUMBER	DESCRIPTION	REF. NO.	PART NUMBER	DESCRIPTION
AIR CONDITIONER - Continued (Condenser and Evaporator)					
58	\$	SEAL, foam (2)			
59	647 861 C1	SEAL, foam (Order FILTER, 736 087 C1) (4)			
61	\$	SEAL, foam (2)			
62	115 329 R1	GROMMET (Replaces 631 973 C1)(4)			
63	647 860 C1	SEAL, foam (Order FILTER, 736 087 C1) (2)			
64	\$	PLUG, button (2)			
65	115 329 R1	GROMMET (Replaces,631 982 C1)(2)			
66	\$	CHASSIS			
67	\$	BUSHING (2)			
69	647 854 C1	SHAFT, knob			
70	\$	ROLL PIN			
71	\$	COUPLING			
72	\$	WASHER, flat (2)			
73	\$	ARM, pivot			
74	\$	NUT, hex			
75	\$	NUT, hex-jam			
76	736 095 C1	BRACKET, bottom pan extension			
77	864 456 R1	ELBOW, 90° hose (2)			
78	80 438 R1	SPACER			
	117 724 C1	HOSE, bulk (5/8" ID)(#)(x)			
	647 678 C91	KIT, roof seal (2)			

- Part Number Covers One Foot Of Hose.
x - As Required.

SUPERSTRUCTURE

REF. NO.	PART NUMBER	DESCRIPTION	REF. NO.	PART NUMBER	DESCRIPTION
----------	-------------	-------------	----------	-------------	-------------

AIR CONDITIONER (Condenser and Evaporator)



CE108978 A

1	\$	SCREW, hex-hd cap (24)	15	\$	TAP, rubberized asphalt
2	647 821 C1	COVER, top	16	\$	SCREW, spinlock
3	\$	SEAL, foam (2)	17	\$	CLAMP, bulb
4	\$	SEAL, foam (2)	18	647 667 C91	VALVE, expansion
5	736 092 C91	DOOR w/KIT, 647 677 C91, filter (Replaces, 647 676 C91) (2)	19	26 056 R1	SCREW, hex-hd cap (6)
6	647 825 C1	COVER, evaporator	20	736 102 C1	TUBE, bulkhead (Replaces, 647 830 C1)
7	647 668 C91	RECEIVER, dehydrator	21	647 664 C91	COIL, evaporator
8	647 878 C1	LOCK NUT (2)	22	\$	SEAL, rubber
9	\$	PLATE, bulk head mounting (2)	23	\$	HOUSING, LH blower
10	736 098 C1	TUBE, w/SIGHT GLASS (Replaces, 647 828 C1)	24	631 993 C1	PAD, rubber (2)
12	647 824 C1	CAP, front end	25	647 844 C1	STRAP, motor mounting
13	\$	INSULATION, foam	26	644 319 C1	WHEEL, blower, clockwise
14	\$	SEAL, foam	27	\$	SEAL, rubber (2)

SUPERSTRUCTURE

REF. NO.	PART NUMBER	DESCRIPTION	REF. NO.	PART NUMBER	DESCRIPTION
AIR CONDITIONER - Continued (Condenser and Evaporator)					
28	\$	PLATE, blower mounting (2)			
29	26 976 R1	SCREW, hex-hd cap (8)			
30	644 318 C1	WHEEL, blower, counterclockwise			
31	\$	NUT, hex (6)			
32	\$	HOUSING, RH blower			
33	\$	NUT and LOCKWASHER			
34		MOTOR, evaporator (Refer to "AIR CONDITIONER WIRING")			
35	\$	SCREW and LOCKWASHER (2)			
36		SWITCH, hi pressure (Refer to "AIR CONDITIONER WIRING")			
37		SWITCH, lo pressure (Refer to "AIR CONDITIONER WIRING")			
	647 677 C91	KIT, door latch (2)			

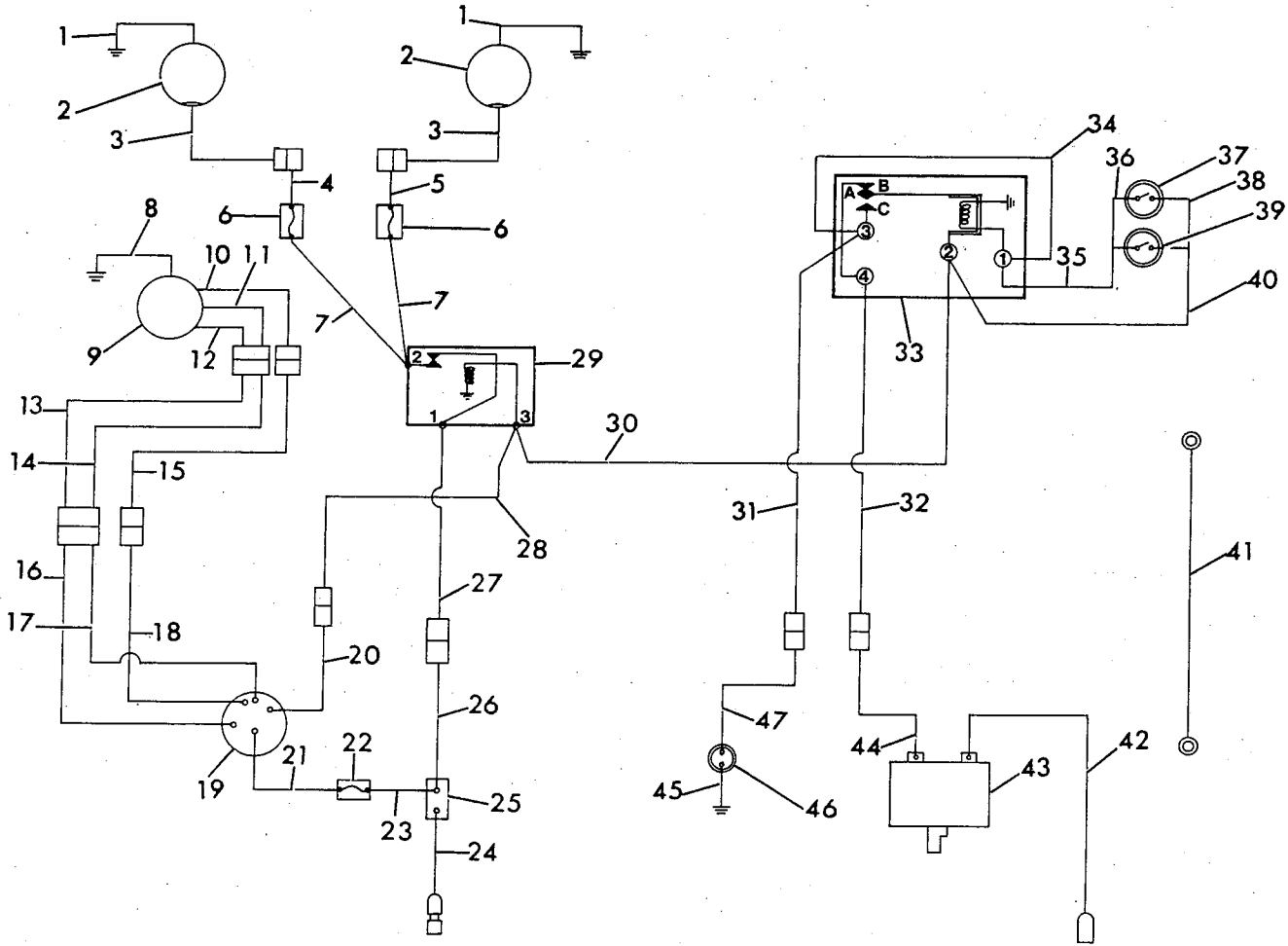
SUPERSTRUCTURE

MEMORANDA

SUPERSTRUCTURE

REF. NO.	PART NUMBER	DESCRIPTION	REF. NO.	PART NUMBER	DESCRIPTION
----------	-------------	-------------	----------	-------------	-------------

AIR CONDITIONING WIRING



PL-117623

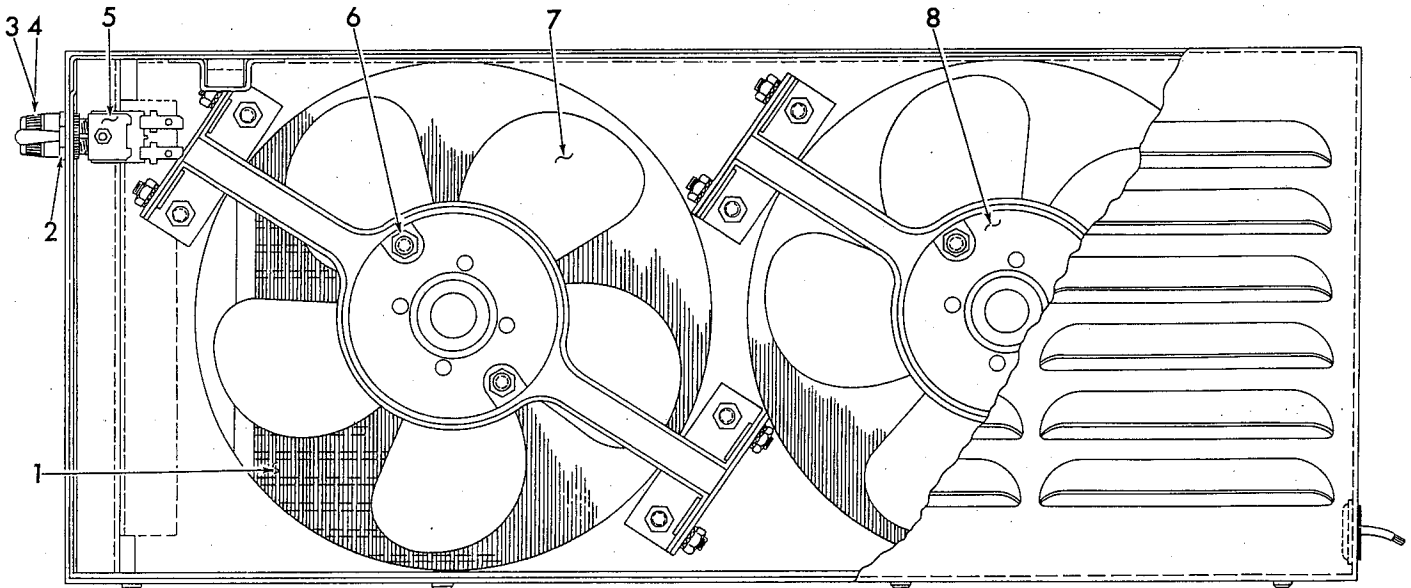
SUPERSTRUCTURE

REF. NO.	PART NUMBER	DESCRIPTION	REF. NO.	PART NUMBER	DESCRIPTION
AIR CONDITIONING WIRING – Continued			23	\$	CABLE, junction block to circuit breaker (Red)
1		CABLE, condenser motor ground (Black)(Part of condenser motor)	24	\$	CABLE, power feed
2	647 670 C91	MOTOR, condenser (2)	25	\$	BLOCK, junction
3		CABLE, condenser motor power lead (Black)(Part of condenser motor)	26	\$	CABLE, junction block to condenser motor relay No. 1 terminal (Red)
4	\$	CABLE, circuit breaker to condenser motor	27	\$	CABLE, junction block to condenser motor reay No. 1 terminal (Red)
5	\$	CABLE, circuit breaker to condenser motor	28		CABLE, blower switch to condenser motor relay No. 3 terminal (Black) (Part of HARNESS)
6	739 525 C1	BREAKER, circuit (2)	29	251 644 C91	RELAY, condenser motor
7	\$	CABLE, condenser motor relay No. 2 terminal to circuit breaker (2)	30		CABLE, condenser motor relay No. 3 terminal to safety control relay No. 2 terminal (Part of HARNESS)
8		CABLE, evaporator motor ground (Black)(Part of evaporator motor)	31		CABLE, safety control relay No. 3 terminal to signal light (White) (Part of HARNESS)
9	631 991 C91	MOTOR, evaporator	32		CABLE, safety control relay No. 4 terminal to thermostat switch (Black and Orange)(Part of HARNESS)
10		CABLE, evaporator motor medium speed (Green)(Part of evaporator motor)	33	736 088 C1	RELAY, safety control
11		CABLE, evaporator motor high speed (Orange)(Part of evaporator motor)	34		CABLE, safety control relay No. 1 terminal to No. 3 terminal (Part of HARNESS)
12		CABLE, evaporator motor low speed (Blue) (Part of evaporator motor)	35		CABLE, low pressure switch to safety control relay No. 1 terminal (Part of HARNESS)
13		CABLE, blower switch low speed (Light Blue)(Part of HARNESS)	36		CABLE, high pressure switch to low pressure switch (Part of HARNESS)
14		CABLE, blower switch high speed (Orange)(Part of HARNESS)	37	740 012 C1	SWITCH, high pressure
15		CABLE, blower switch medium speed (Dark Green)(Part of HARNESS)	38		CABLE, low pressure switch to high pressure switch (Part of HARNESS)
16	\$	CABLE, blower switch low speed(Blue)	39	740 013 C1	SWITCH, low pressure
17	\$	CABLE, blower switch high speed (Orange)	40		CABLE, safety control relay No. 2 terminal to low pressure switch (Part of HARNESS)
18	\$	CABLE, blower switch medium speed (Green)	41		CABLE, ground (Black)(Part of HARNESS)
19	715 655 C1	SWITCH, blower	42	\$	CABLE, thermostat switch to clutch (Black and Orange)
20	\$	CABLE, blower switch to condenser motor relay No. 3 terminal	43	715 902 C1	SWITCH, thermostat
21	\$	CABLE, circuit breaker to blower switch (Red)			
22	1 132 147	BREAKER, circuit			

SUPERSTRUCTURE

REF. NO.	PART NUMBER	DESCRIPTION	REF. NO.	PART NUMBER	DESCRIPTION
AIR CONDITIONING WIRING – Continued					
			46	736 085 C1	LIGHT, signal
			47	\$	CABLE, safety control relay No. 3 terminal to signal light (White)
44	\$	CABLE, safety control relay No. 4 terminal to thermostat switch (Black and Orange)			
45	\$	CABLE, signal light ground			

HEATER ASSEMBLY



CE-110884

740 276 C91 HEATER ASSY., (Part of ATTACHMENT, 740 275 C91) (Not illustrated) (See NOTE) 4230 and up

5	5 257	SWITCH
6	6 076	NUT (20)
7	5 114	FAN (2)
8	20 228	MOTOR, 12 volt (2)

668 893 C92 HEATER ASSY. (Part of ATTACHMENT, 668 892 C92) (See NOTE) 4229 and below
(Consists of the following parts -

1	1 052	CORE
2	5 029	VALVE, bleeder
3	5 247	FUSE
4	5 246	HOLDER, fuse

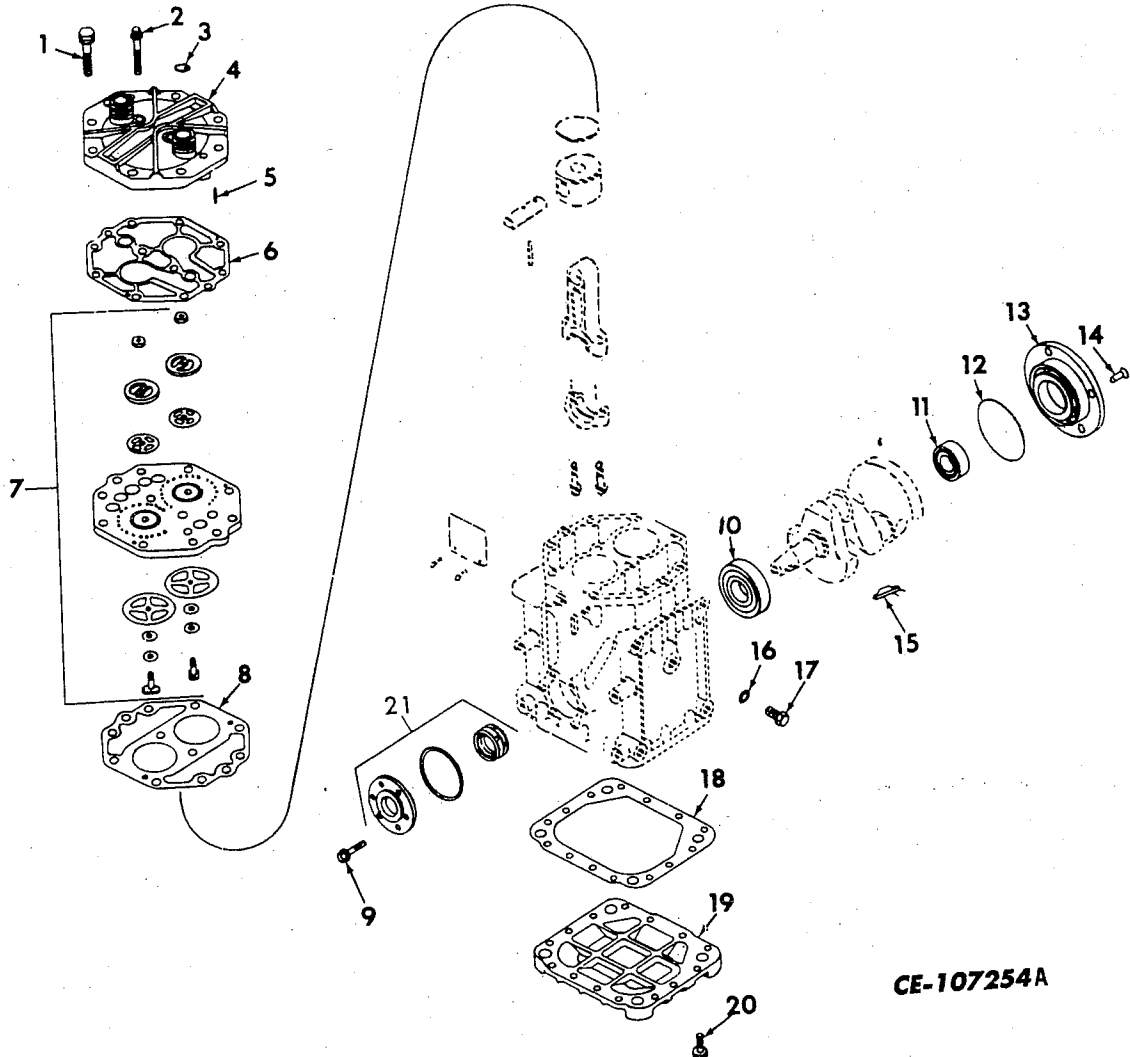
NOTE - For Service Parts Contact:

CAMPBELL CAB CORP.
120 West Kent Avenue
Wauconda, Illinois 60084

SUPERSTRUCTURE

REF. NO.	PART NUMBER	DESCRIPTION	REF. NO.	PART NUMBER	DESCRIPTION
----------	-------------	-------------	----------	-------------	-------------

FREON COMPRESSOR



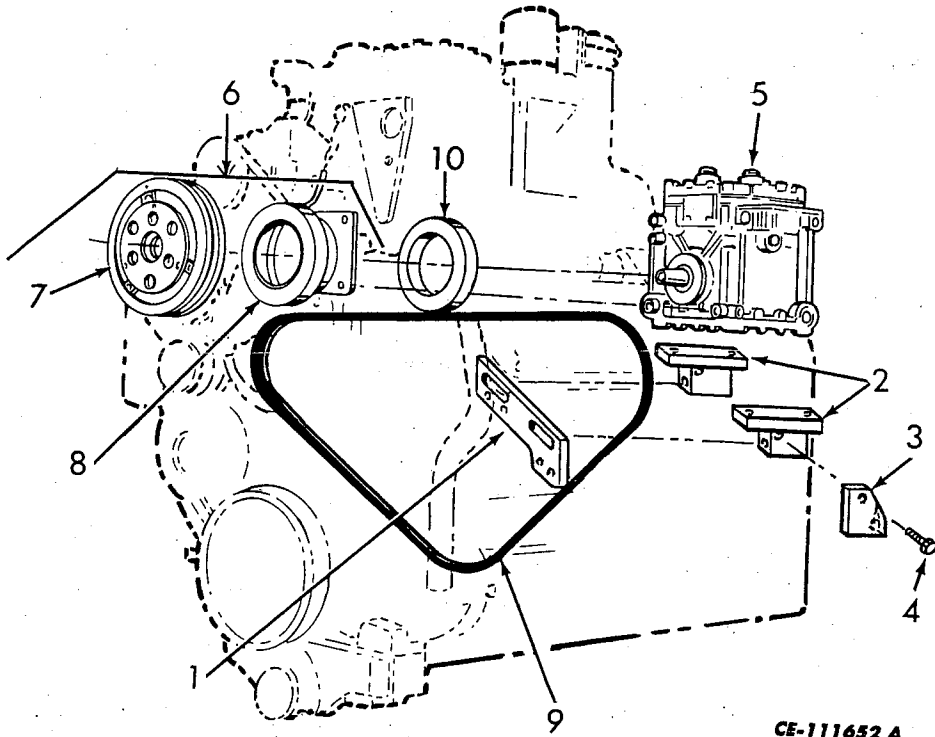
CE-107254A

683 596 C91	COMPRESSOR ASSY., Freon(Part of ATTACHMENT, 710 465 C91) (Consists of—	11	432 398 C1	BEARING, rear	
1	20 641 R1	BOLT (8)	12	431 763 C1	"O" RING
2	374 805 R1	BOLT, 12 point-hd (4)	13	431 757 C1	HOUSING, rear bearing
3	118 469 C1	GASKET, service valve (2)	14	120 585	SCREW, flanged-crescent-recessed hd (4)
4	431 758 C1	HEAD, cylinder	15	124 546	KEY, woodruff
5	21 274 R1	PIN, dowel (2)	16	431 764 C1	"O" RING
6	431 756 C1	GASKET, head	17	445 073	PLUG
7	394 430 C91	PLATE, w/VALVES, compressor	18	431 760 C2	GASKET, base plate
8	431 761 C1	GASKET, valve plate	19	431 755 C1	PLATE, base
9	443 874	BOLT (6)	20	21 024 R1	BOLT (14)
10	432 399 C1	BEARING, front	21	428 606 C91	KIT, seal
				432 418 C1	CAP, dust

SUPERSTRUCTURE

REF. NO.	PART NUMBER	DESCRIPTION	REF. NO.	PART NUMBER	DESCRIPTION
----------	-------------	-------------	----------	-------------	-------------

FREON COMPRESSOR AND RELATED PARTS
(For Machines Equipped w/Cab and Air Conditioning)



CE-111652 A

	710 465 C91	ATTACHMENT, air conditioner FREON compressor and related parts (Also part of PACKAGE, 710 461 C91) (See Note 3) (Consists of -		7	634 801 C1 PULLEY, clutch
1	683 775 C1	PLATE, freon compressor support (2)		8	634 349 C1 COIL, clutch
2	683 769 C1	SUPPORT, freon compressor (2)		9	683 846 C1 BELT, compressor
	24 844 R1	SCREW, hex-hd cap (5)		10	70 833 C1 SEAL, dust
	25 544 R1	WASHER, hardened (10)			634 802 C91 KIT, mounting hardware (Part of CLUTCH, 683 708 C91) (Consists of
	25 522 R1	NUT (5)			§ 1 SCREW
3	683 772 C1	SUPPORT, compressor adjusting			§ 4 SCREW
	26 312 R1	SCREW, hex-hd cap			§ 1 WASHER)
	25 544 R1	WASHER, hardened (2)			
	25 522 R1	NUT			
4	683 100 C1	BOLT, compressor adjusting			
	25 534 R1	WASHER, flat			
	25 932 R1	NUT, jam			
5		COMPRESSOR, freon(Refer to "FREON COMPRESSOR")			
	271 329 R1	STUD, compressor mounting (4)			
	25 534 R1	WASHER, flat (4)			
	9 413 980	NUT (4)			
6	683 708 C91	CLUTCH w/COIL, 634 349 C1, PULLEY, 634 801 C1 and KIT, 634 802 C91, magnetic			

§ - Not furnished separately

NOTE 3- Field Application - Order Through Regular Service Parts Channels.

**REFER TO ALPHABETICAL INDEX
FOR COMPLETE LISTING OF PARTS**

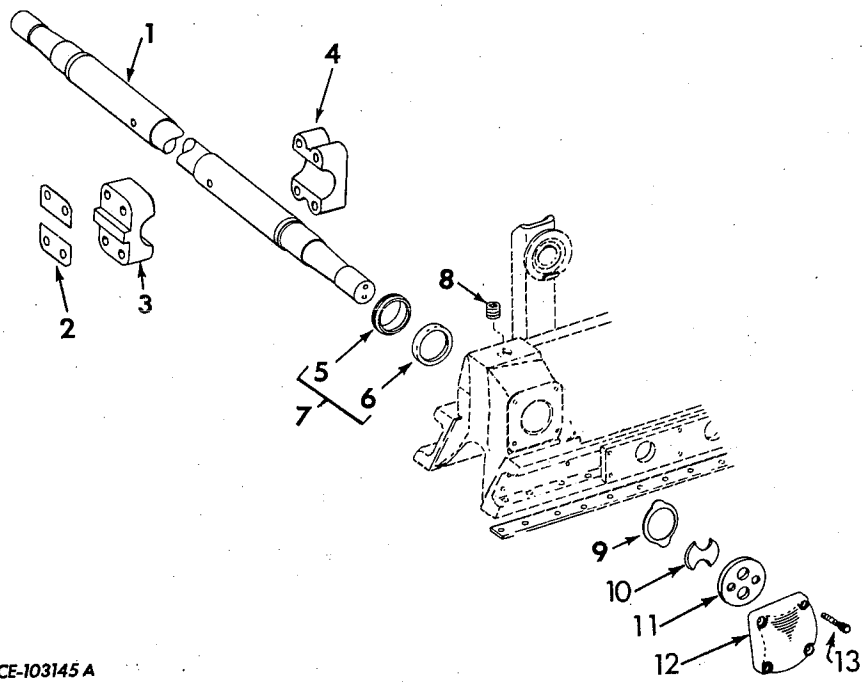
SUSPENSION

14

SUSPENSION

REF. NO.	PART NUMBER	DESCRIPTION	REF. NO.	PART NUMBER	DESCRIPTION
----------	-------------	-------------	----------	-------------	-------------

**PIVOT SHAFT
(Not For Low Ground Pressure)**



CE-103145 A

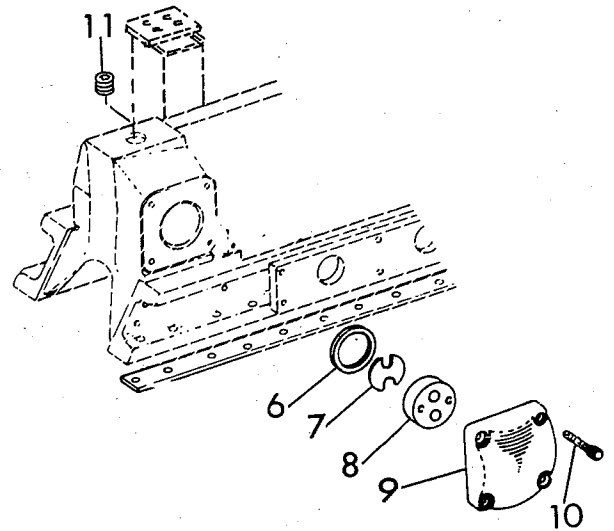
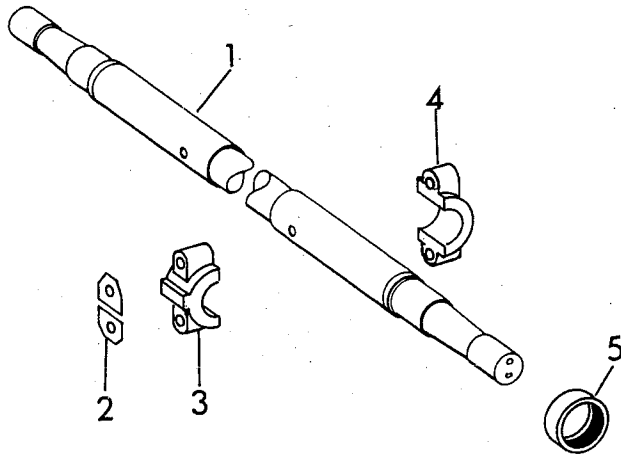
1	334 169 R5	SHAFT, track frame pivot	11	334 173 R3 25 356 R1	PLATE, track frame thrust (2) SCREW, hex-hd cap (4)
2	334 838 R1	SHIM, shaft spacer (.060") (x)	12	707 585 C1	COVER, pivot shaft (With four SCREW 25 053 R1, four WASHER 25 537 R1, and two PLATE 330 690 R2, will work for COVER 330 689 R1) (With two PLATE 330 690 R2 will work for COVER 655 691 C1) (2)
2	334 839 R1	SHIM, shaft spacer (.054") (x)			
2	334 840 R1	SHIM, shaft spacer (.048") (x) ✓			
2	334 841 R1	SHIM, shaft spacer (.042") (x) ✓			
2	612 709 C1	SHIM, shaft spacer (.002") (x)			
3		SPACER, pivot shaft (Order CAP and SPACER, 343 028 R91) (2)			
4		CAP, pivot shaft (Order CAP and SPACER, 343 028 R91) (2)	13	25 053 R1 25 537 R1	SCREW, hex-hd cap (Used with COVER, 655 691 C1) (8) WASHER, flat (8)
5		SEAL, oil (Order SEAL w/SLEEVE, 341 986 R91) (2)	13	330 559 R1	SCREW, pivot shaft cover (Use with COVER, 330 689 R1) (8)
6		SLEEVE, oil seal (Order SEAL with SLEEVE, 341 986 R92) (2)		343 028 R91 26 015 R1	CAP and SPACER, pivot shaft SCREW, 1 x 7-1/2" hex-hd cap (8)
7	341 986 R92	SEAL w/SLEEVE, pivot shaft oil (x)		109 461	FITTING, lube (For use on COVERS 330 689 R1 and 655 691 C1)
8	270 835 R1	PLUG, pivot shaft housing filler (2)			
9	330 690 R2	PLATE, pivot shaft wear (4)			
10	331 931 R2	SHIM, pivot shaft (.060") (2)			
10	334 174 R2	SHIM, pivot shaft (.007") (x)			

(x) - As Required.

SUSPENSION

REF. NO.	PART NUMBER	DESCRIPTION	REF. NO.	PART NUMBER	DESCRIPTION
----------	-------------	-------------	----------	-------------	-------------

PIVOT SHAFT
(For Low Ground Pressure)



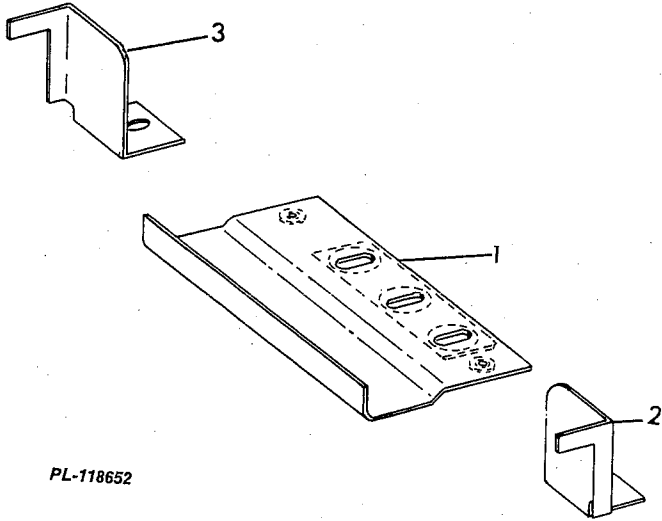
PL118332

1	715 580 C1	SHAFT, track frame pivot	7	331 931 R2	SHIM, pivot shaft (.060") (2)
2	334 964 R1	SHIM, shaft spacer (.060") (4)	7	334 174 R2	SHIM, pivot shaft (.007") (2)
2	334 965 R1	SHIM, shaft spacer (.054") (4)	8	334 173 R3	PLATE, track frame thrust (2)
2	334 966 R1	SHIM, shaft spacer (.048") (4)		25 356 R1	SCREW, hex-hd
2	334 967 R1	SHIM, shaft spacer (.042") (4)	9	707 585 C1	COVER, pivot shaft
2	612 710 R1	SHIM, shaft spacer (.002") (4)	10	24 876 R1	SCREW, hex-hd cap (8)
3		SPACER, pivot shaft (Order CAP and SPACER, 715 600 C1) (2)		25 537 R1	WASHER, flat (8)
4		CAP, pivot shaft (Order CAP and SPACER, 715 600 C1) (2)	11	270 835 R1	PLUG, pivot shaft housing filler (2)
5	715 542 C1	SEAL, pivot shaft oil (2)		715 600 C1	CAP and SPACER, pivot shaft (2)
6	330 690 R2	PLATE, pivot shaft wear (4)		25 992 R1	BOLT (4)
				25 541 R1	WASHER, hardened (4)

SUSPENSION

REF. NO.	PART NUMBER	DESCRIPTION	REF. NO.	PART NUMBER	DESCRIPTION
-------------	----------------	-------------	-------------	----------------	-------------

PIVOT SHAFT AREA GUARD
 (Not used with Swinging Drawbar)
 (For Low Ground Pressure)



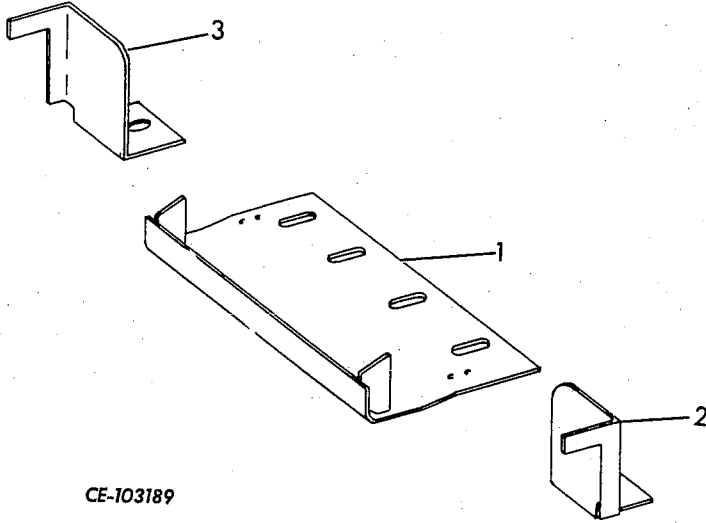
PL-118652

1	717 355 C1 27 434 R1 611 789 C1	GUARD, pivot shaft area SCREW, hex-hd (3) WASHER, hardened (3)
2	717 358 C1 24 840 R1 115 093 618 209 C1	GUARD, LH side SCREW, 3/8 x 1" hex-hd cap WASHER, lock WASHER, hardened
3	717 359 C1 24 840 R1 115 093 618 209 C1	GUARD, RH side SCREW, 3/8 x 1" hex-hd cap(A) WASHER, lock WASHER, hardened

SUSPENSION

REF. NO.	PART NUMBER	DESCRIPTION
----------	-------------	-------------

PIVOT SHAFT AREA GUARD
(Not used with Swinging Drawbar)
(Not For Low Ground Pressure)



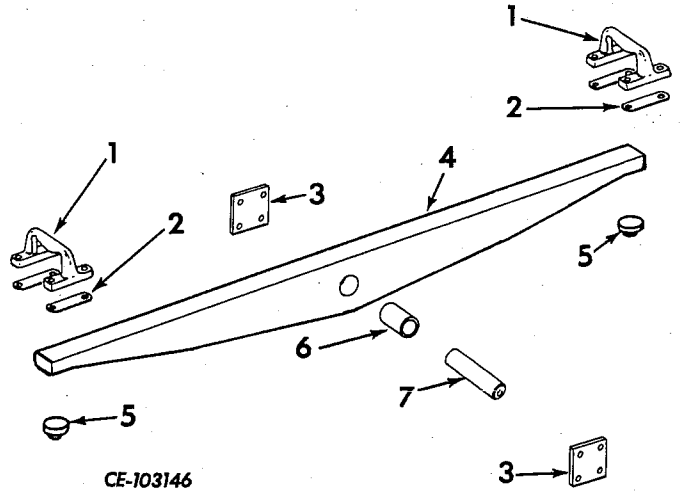
CE-103189

A	629 474 C91	ATTACHMENT, pivot shaft area guard (Not for models equipped with severe service front frame bottom guard door attachment) (See NOTE 3)
B	629 476 C91	ATTACHMENT, pivot shaft area guard (For models equipped with severe service front frame bottom guard door attachment) (See NOTE 3)
1	650 952 C1 27 434 R1 24 879 R1 611 789 C1	GUARD, pivot shaft area SCREW, 5/8 x 2-1/4" hex-hd cap nylok (A) (4) SCREW, 5/8 x 3" hex-hd cap (B) (4) WASHER, hardened (4)
2	650 950 C1 24 840 R1 24 842 R1 650 955 C1 115 093 618 209 C1	GUARD, LH side SCREW, 3/8 x 1" hex-hd cap (A) SCREW, 3/8 x 1-3/4" hex-hd cap (B) SPACER, side guard (B) WASHER, lock WASHER, hardened
3	650 951 C1 24 840 R1 24 842 R1 650 955 C1 115 093 618 209 C1	GUARD, RH side SCREW, 3/8 x 1" hex-hd cap (A) SCREW, 3/8 x 1-3/4" hex-hd cap (B) SPACER, side guard (B) WASHER, lock WASHER, hardened

NOTE 3: Field Application - Order through Regular Parts Channels.

REF. NO.	PART NUMBER	DESCRIPTION
----------	-------------	-------------

STABILIZING LINKAGE



CE-103146

1	707 916 C1 24 873 R1 25 537 R1	BRACKET, equalizer bar rebound Replaced 330 688 R3 (2) SCREW, hex-hd cap (8) WASHER, flat (8)
2	330 692 R1	SHIM, rebound bracket (x)
3	603 282 C1 24 873 R1	PLATE, equalizer bar pivot shaft (2) SCREW, hex-hd cap (8)
4	609 624 C91	BAR, equalizer (Not For Low Ground Pressure) (Composed of - § 1 BAR 1 BUSHING 334 844 R2 1 DRAWING, IZG-6791 rework § 2 PAD, wear, 1/4" § 2 PAD, wear, 1/2")
4	740 228 C91	BAR w/BUSHING, 334 844 R2, equalizer (For Low Ground Pressure)
5	8 493 DA	PAD, equalizer bar (2)
6	334 844 R2	BUSHING, pivot shaft
7	603 279 C1	SHAFT, equalizer bar pivot

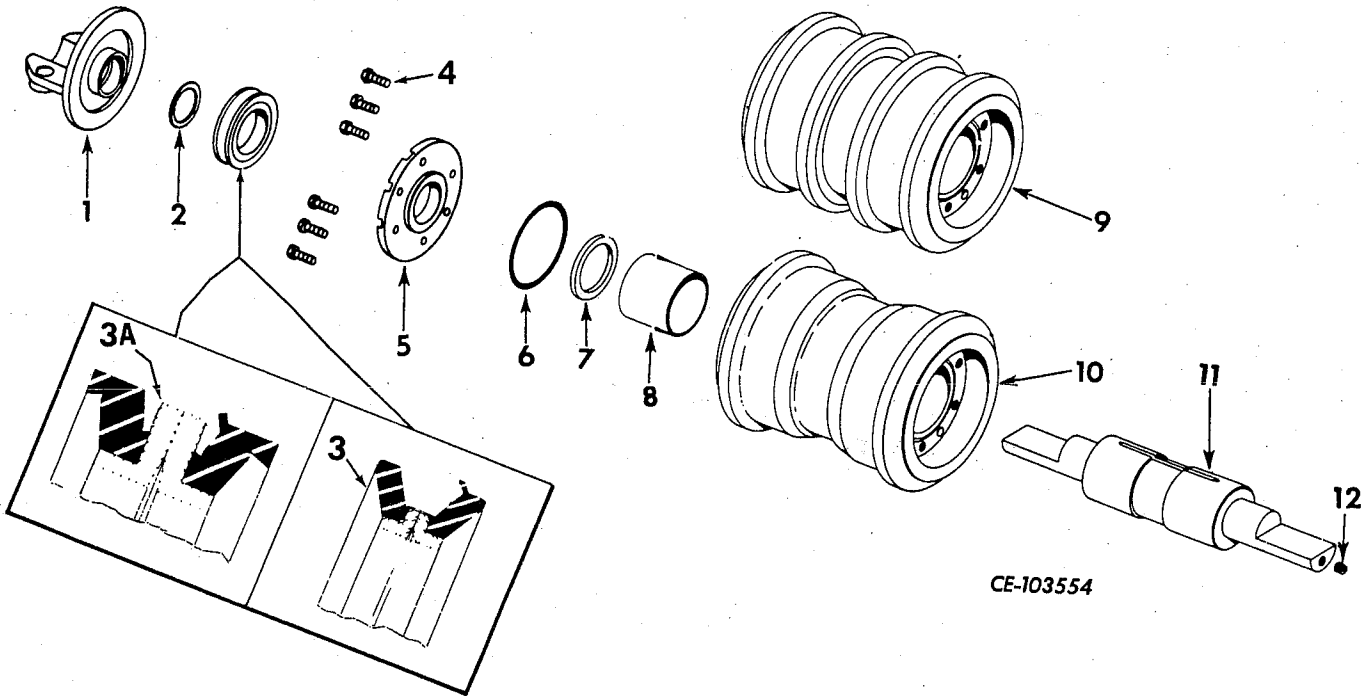
§ - Not Furnished Separately.

(x) - As Required.

SUSPENSION

REF. NO.	PART NUMBER	DESCRIPTION	REF. NO.	PART NUMBER	DESCRIPTION
----------	-------------	-------------	----------	-------------	-------------

TRACK ROLLER



A	655 045 C92	ROLLER and SHAFT ASSY., track (Single Flange) (6)	9	655 044 C93	ROLLER, track with two BUSHING, 305 535 R3 (Double flange) (B)
B	655 046 C92	ROLLER and SHAFT ASSY., track (Double flange) (6 for standard) (8 for Low Ground Pressure)	10	655 043 C93	ROLLER, track w/two BUSHING, 305 535 R3 (Single flange) (A)
1	604 933 C2 19 885 R1 24 889 R1 39 422 D	BRACKET, track roller shaft (2) PIN, coiled spring (2) BOLT (4) WASHER (4)	11	305 533 R92	SHAFT, track roller
2	364 145 R1	"O" RING (2-1/8 x 2-5/16 x 3/32") (2)	12	268 996 R1	PLUG, track roller lubrication
3	662 590 C91	SEAL w/two WIPER and INSTRUCTION PAMPHLET, oil (Optional with SEAL, 655 969 C91) (2)		662 622 C91	PACKAGE, oil seal service (Consists of two RETAINER, two WASHER two WIPER and INSTRUCTION PAMPHLET (For service of SEAL, 662 590 C91) (x)
3A	655 969 C91	SEAL w/two WIPER and INSTRUCTION PAMPHLET, 1 085 226 R3 (Optional with SEAL, 662 590 C91) (2)		655 970 C91	PACKAGE, oil seal service (Consists of two RING, two RETAINER, two WIPER and INSTRUCTION PAMPHLET, 1 019 085 R2) (For service of SEAL, 655 969 C91) (x)
4	604 932 C1	BOLT, bushing retainer (2)		655 971 C91	PACKAGE, reunition field service (Consists of fifty plastic retainer bands) (For service of SEAL, 655 969 C91) (x)
5	604 931 C1	RETAINER, bushing (2)			
6	259 246 R1	"O" RING (3-7/8 x 4-1/8 x 1/8") (2)			
7	624 760 C1	WASHER, thrust (2)			
8	305 535 R3	BUSHING, track roller (2)			
8	305 542 R1	BUSHING, track roller (.030" oversize) (x)			(x) - As Required.

SUSPENSION

REF. NO.	PART NUMBER	DESCRIPTION	REF. NO.	PART NUMBER	DESCRIPTION
TRACK ROLLER AND SPROCKET SHIELD (For Low Ground Pressure)					
			PL-118649		
1	334 229 R2 24 892 R1 39 422 D	SHIELD, LH outer and RH inner sprocket rock (2) BOLT (6) WASHER (6)	4	740 173 C1 24 885 R1 39 422 D	SHIELD, RH track roller (2) (*) BOLT (16) WASHER (32)
2	740 172 C1 24 885 R1 39 422 D	SHIELD, LH track roller (2) (*) BOLT (16) WASHER (32)	5	25 990 R1 25 529 R1	BOLT, 12" long (16) (*) NUT (16)
3	616 462 C1	SPACER, track roller shield (16) (*)	6	334 230 R2 24 892 R1 39 422 D	SHIELD, RH outer and LH inner sprocket rock (2) (*) BOLT (6) WASHER (6)
			(*) - Not Used With Track Frame Center Guard.		

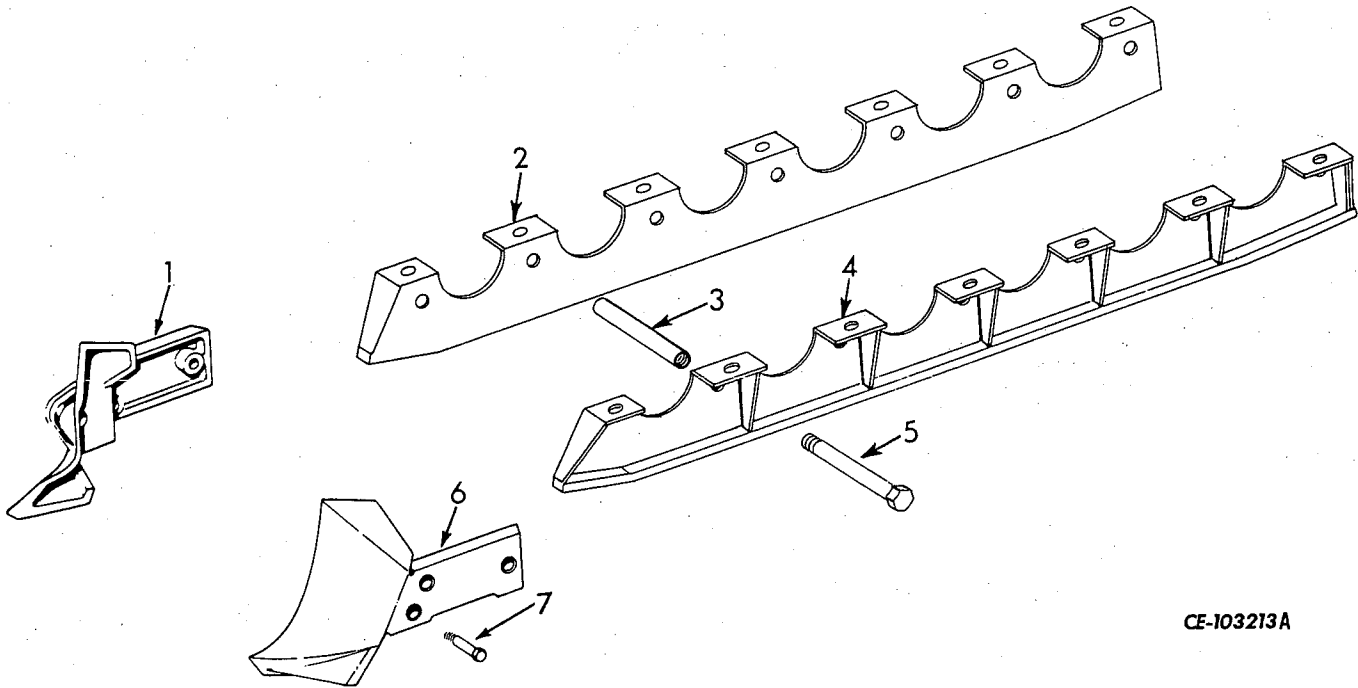
TRACK FRAME CENTER GUARD (For Low Ground Pressure) (Not used w/Track Roller Shield)

			PL-118647		
1	715 595 C1 24 885 R1 39 422 D	GUIDE, track chain (4) SCREW, hex-hd cap (16) WASHER (16)	2	616 462 C1	SPACER, track chain guide (4)
2	616 462 C1	SPACER, track chain guide (4)	3	25 990 R1 25 529 R1	BOLT, track chain guide (4) NUT, (4)

SUSPENSION

REF. NO.	PART NUMBER	DESCRIPTION	REF. NO.	PART NUMBER	DESCRIPTION
----------	-------------	-------------	----------	-------------	-------------

TRACK ROLLER AND SPROCKET SHIELD (Not For Low Ground Pressure)



CE-103213A

	655 584 C91	ATTACHMENT, track roller and sprocket shield (See NOTES 1 and 3)		5	24 886 R1 SCREW, 1-1/2" long hex-hd cap (Used with SPACER, 655 246 C1) (28)
1	334 229 R2	SHIELD, LH outer and RH inner sprocket rock (2)			39 422 D111 WASHER, flat (28)
2	655 549 C1	SHIELD, LH track roller (2)		5	25 990 R1 SCREW, 12" long hex-hd cap (Used with SPACER, 616 462 C1) (14)
	24 886 R1	SCREW, hex-hd cap (14)			25 529 R1 NUT (14)
	39 422 D	WASHER, hardened (14)			39 422 D WASHER, flat (14)
3	616 462 C1	SPACER, track roller shield (Together with NUT, 25 529 R1 and SCREW, 25 990 R1, will work for SPACER, 655 246 C1) (14)		6	334 230 R2 SHIELD, RH outer and LH inner sprocket rock (2)
4	655 550 C1	SHIELD, RH track roller (2)		7	24 892 R1 BOLT, sprocket shield (12)
	24 886 R1	SCREW, hex-hd cap (14)			39 422 D WASHER, flat (12)
	39 422 D	WASHER, flat (14)			

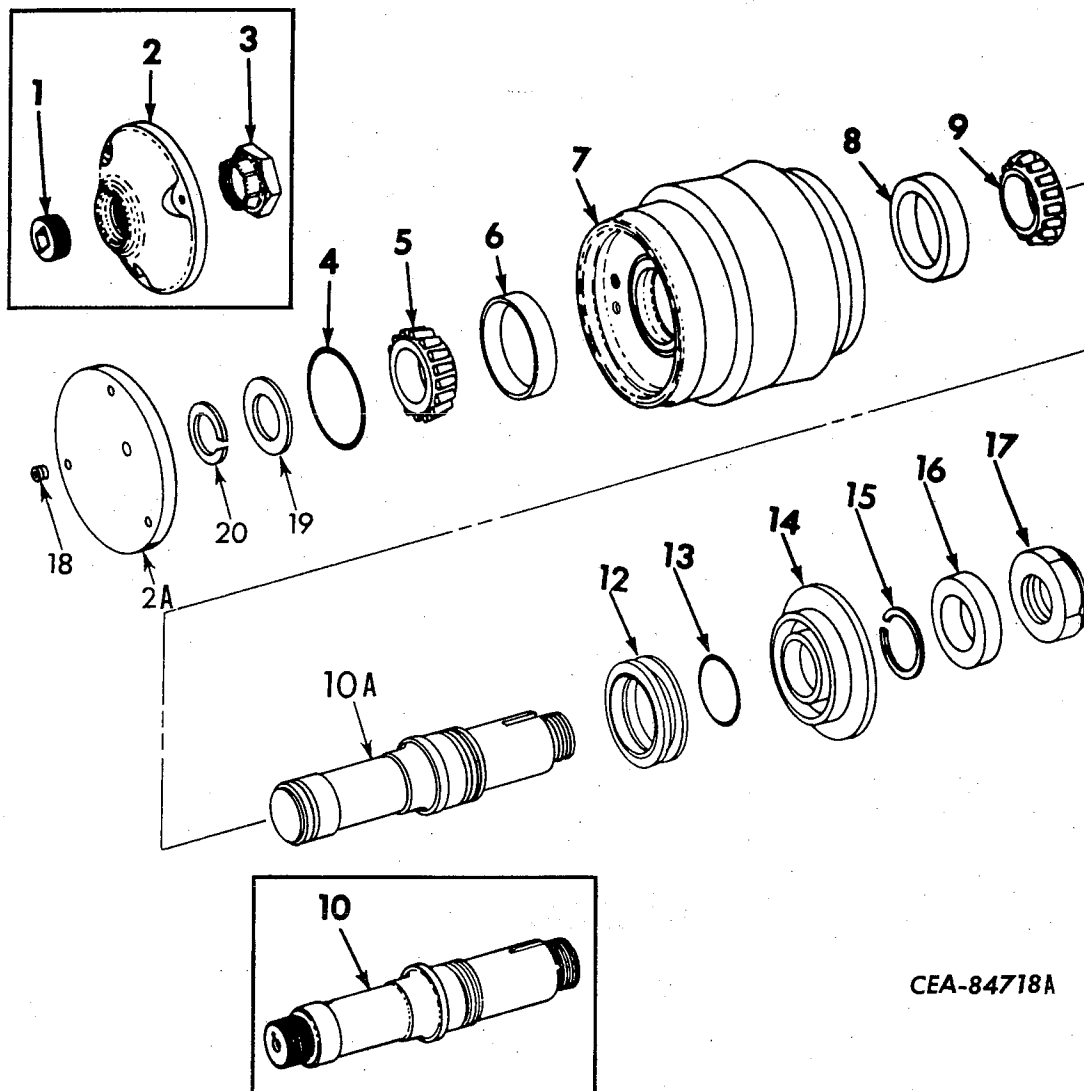
NOTE 1: Factory Application - Order on Machine Order Form.

NOTE 3: Field Application - Order through Regular Parts Channels.

SUSPENSION

REF. NO.	PART NUMBER	DESCRIPTION	REF. NO.	PART NUMBER	DESCRIPTION
----------	-------------	-------------	----------	-------------	-------------

TRACK IDLER (Not For Low Ground Pressure)



CEA-84718A

	609 600 C93	IDLER ASSY., track (4) (Consists of -	7	609 599 C91	IDLER
1	271 647 R1	PLUG, cap(Used w/CAP,325 202 R1)	8	ST 970	CUP, inner bearing
2	325 202 R1	CAP(Used w/SHAFT,609 602 C1)	9	321 547 R91	CONE, inner bearing
	24 840 R1	SCREW, hex-hd cap (3)	10	609 602 C1	SHAFT,track idler (Order the following parts—
	115 093	WASHER, lock (3)			1 RING 258 400 C1
2A	636 622 C1	COVER, track idler (Used w/SHAFT, 636 621 C1)			1 SHAFT 636 621 C1
	24 840 R1	SCREW, hex-hd cap (3)			1 SPACER 636 623 C1
	115 093	WASHER, lock (3)			1 SPACER 636 624 C1
3	325 201 R1	NUT(Used w/SHAFT,609 602 C1)	10A	636 621 C1	SHAFT, track idler
	103 388	PIN, cotter	12	655 973 C91	SEAL w/two WIPER and INSTRU- TION PAMPHLET, 1 085 226 R3 oil (Optional w/SEAL 662 591 C91) (2)
4	259 246 R1	"O" RING (3-7/8 x 4-1/8 x 1/8")			
5	298 029 R91	CONE, outer bearing			
6	ST 970	CUP, outer bearing			

SUSPENSION

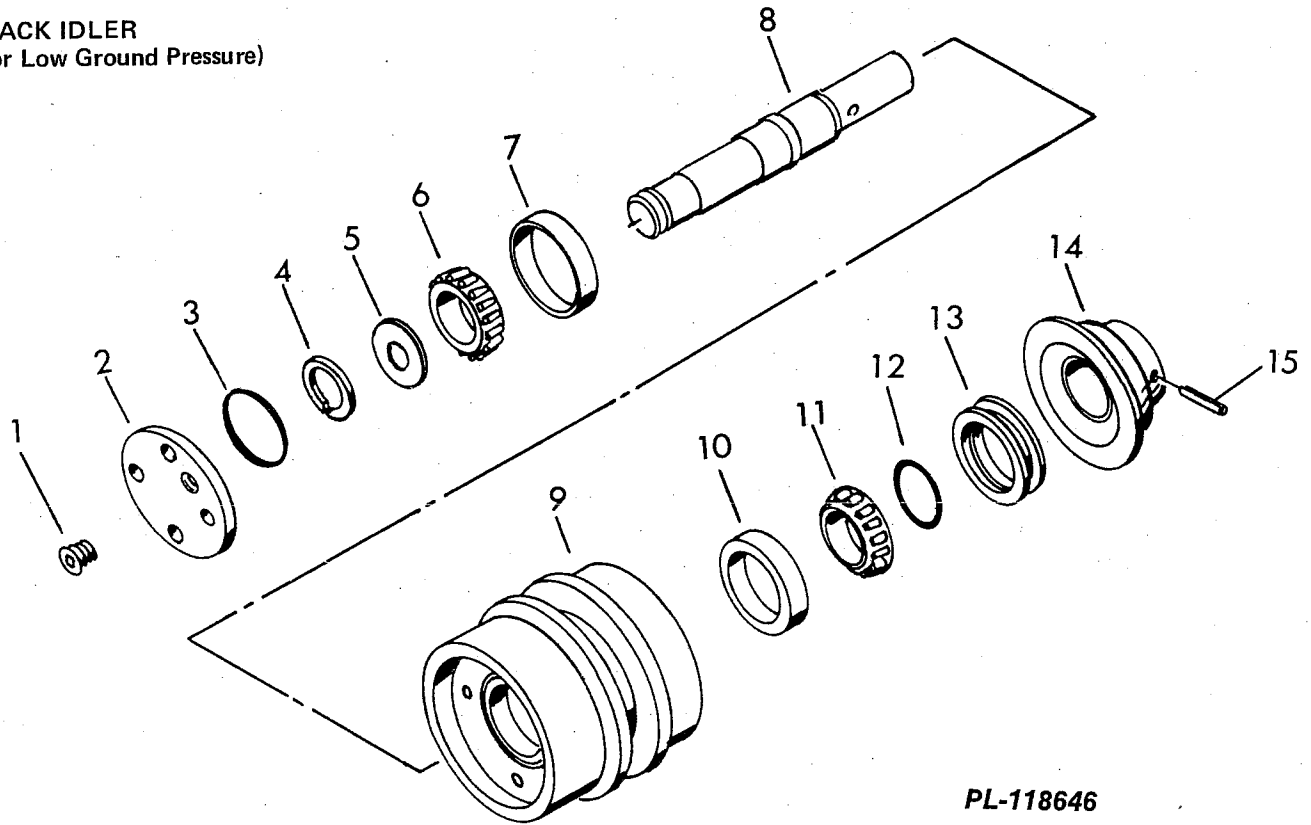
REF. NO.	PART NUMBER	DESCRIPTION	REF. NO.	PART NUMBER	DESCRIPTION
TRACK IDLER—Continued (Not For Low Ground Pressure)					
12	662 591 C91	SEAL w/two WIPER and INSTRUCTION PAMPHLET, oil (Optional w/SEAL, 655 973 C91) (2)			
13	293 726 R1	"O" RING (2-1/4 x 2-1/2 x 1/8")			
14	607 907 C2	RETAINER, seal			
15	606 936 C1	RING, snap			
16	331 994 R1	WASHER, track idler			
17	18 583 R1	NUT, Esna			
18	268 996 R1	PLUG, cap(Used w/CAP,636 622 C1)			
19	636 623 C1	SPACER (.088)(Used w/SHAFT, 636 621 C1) (x)			
19	636 624 C1	SPACER (.091) (Used w/SHAFT, 636 621 C1) (x)			
19	636 650 C1	SPACER (.094) (Used w/SHAFT, 636 621 C1) (x)			
20	258 400 C1	RING, snap ring (Used w/SHAFT, 636 621 C1)			
	655 972 C91	PACKAGE, reunitionization field service (Consists of fifty plastic retainer bands) (For service of SEAL, 655 973 C91) (x)			
	655 974 C91	PACKAGE, oil seal service (Consists of two rubber "J" RINGS, two RETAINER TAPES, two WIPERS and INSTRUCTION PAMPHLET, 1 019 085 R2) (For service of SEAL, 655 973 C91) (x)			
	606 625 C91	PACKAGE, reunitionization field service (Consists of fifty plastic retainer bands) (For service of SEAL, 662 591 C91) (x)			
	606 132 C91	PACKAGE, oil seal service (Consists of two rubber "J" RINGS, two RETAINER TAPES, two WIPERS and INSTRUCTION PAMPHLET, 1 019 085 R2) (For service of SEAL, 662 591 C91) (x)			

(x) - As Required.

SUSPENSION

REF. NO.	PART NUMBER	DESCRIPTION	REF. NO.	PART NUMBER	DESCRIPTION
----------	-------------	-------------	----------	-------------	-------------

TRACK IDLER (For Low Ground Pressure)



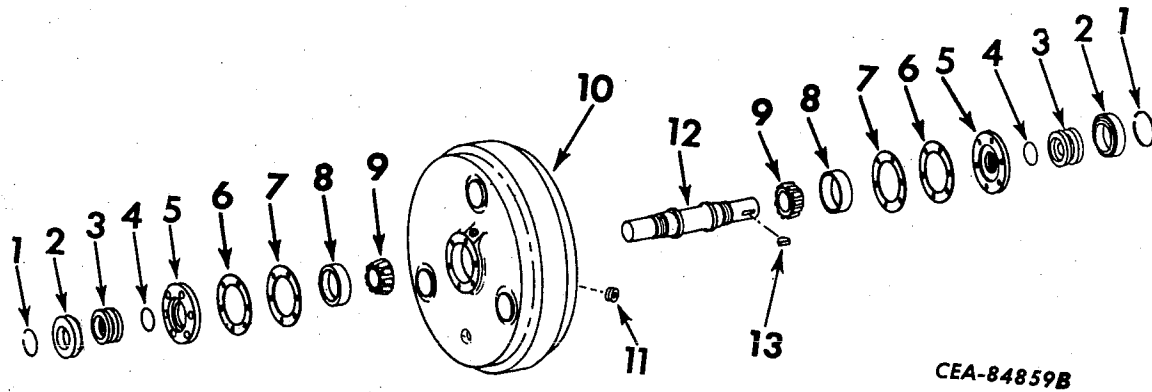
PL-118646

	707 870 C91	IDLER ASSY., track (4) (Consists of—		10	625 743 C1	CUP, inner bearing
1	268 996 R1	PLUG, cap		11	625 742 C1	CONE, inner bearing
2	636 884 C1	COVER, track idler		12	384 377 R1	RING, sealing
	24 840 R1	BOLT (4)		13	655 973 C91	OIL SEAL w/PAMPHLET, track idler
	115 093	WASHER, lock (4)		13	662 591 C91	OIL SEAL w/PAMPHLET, track idler
3	317 923 R1	RING, sealing		14	636 881 C2	RETAINER, seal
4	327 068 R1	RING, snap		15	25 566 R1	PIN, coiled spring
5	636 885 C1	SPACER, top idler bearing (.088"O				
5	636 886 C1	SPACER, top idler bearing(.091")(x)				
5	636 887 C1	SPACER, top idler bearing(.094")(x)				
6	631 170 C91	CONE, outer bearing				
7	376 463 C1	CUP, outer bearing				
8	707 872 C1	SHAFT, top idler				
9	707 871 C1	IDLER, top idler				

SUSPENSION

REF. NO.	PART NUMBER	DESCRIPTION	REF. NO.	PART NUMBER	DESCRIPTION
----------	-------------	-------------	----------	-------------	-------------

FRONT IDLERS



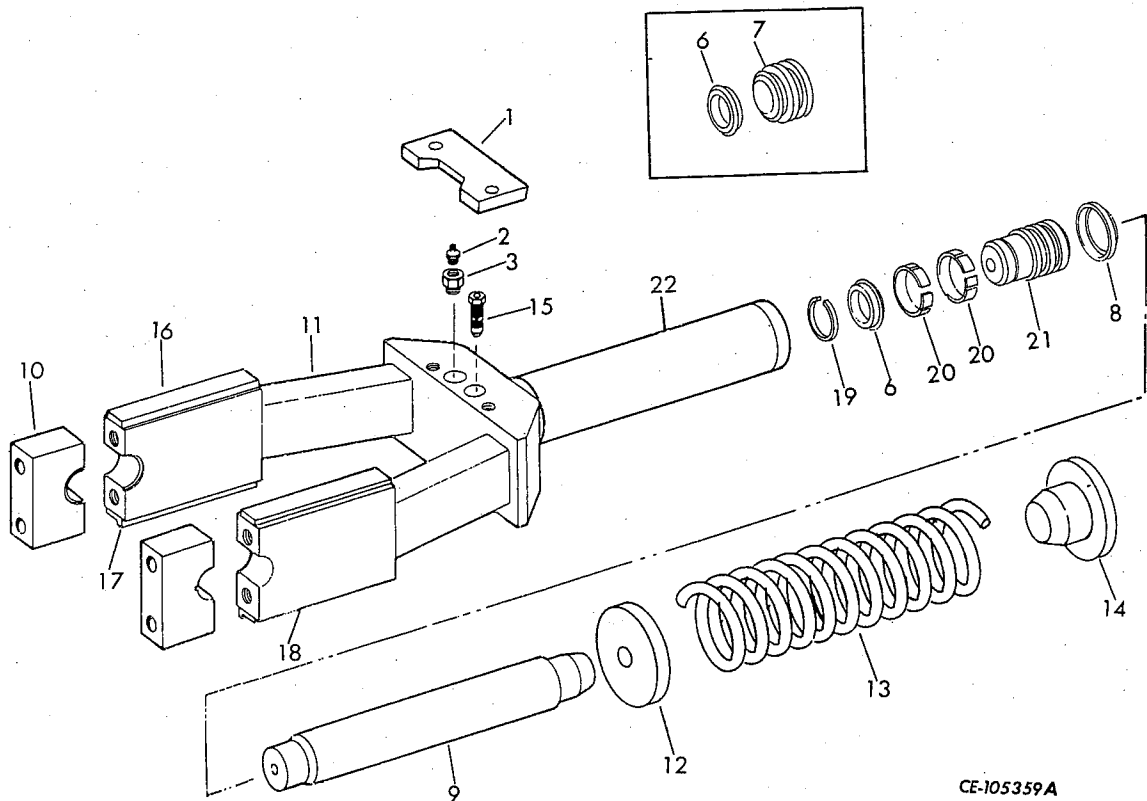
CEA-84859B

1	606 936 C1	RING, snap (4)	655 972 C91	PACKAGE, reunition field service (Consists of fifty plastic RETAINER BANDS) (For service of SEAL, 655 973 C91) (x)
2	620 119 C2	RETAINER, oil seal (4)	655 974 C91	PACKAGE, oil seal service (Consists of two rubber "J" RINGS, two RETAINER TAPES, two WIPERS and INSTRUCTION PAMPHLET, 1 019 085 R2) (For service of SEAL, 655 973 C91) (x)
3	655 973 C91	SEAL w/two WIPER and INSTRUCTION PAMPHLET, 1 085 226 R3, oil (Optional w/SEAL, 662 591 C91) (2)	606 625 C91	PACKAGE, reunition field service (Consists of fifty plastic RETAINER BANDS) (For service of SEAL, 662 591 C91) (x)
3	662 591 C91	SEAL w/two WIPER and INSTRUCTION PAMPHLET, oil (Optional w/SEAL, 655 973 C91) (2)	606 132 C91	PACKAGE, oil seal service (Consists of two rubber "J" RINGS, two RETAINER TAPES, two WIPERS and INSTRUCTION PAMPHLET, 1 019 085 R2) (For service of SEAL, 662 591 C91) (x)
4	293 726 R1	RING, sealing (4)		
5	620 120 C1	RETAINER, bearing (4)		
	27 002 R1	SCREW, hex-hd cap (24)		
	116 121	WASHER, lock (24)		
6	609 605 C1	SHIM, bearing retainer (.030") (8)		
7	609 604 C1	SHIM, bearing retainer (.0075") (x)		
8	13 363 D	CUP (4)		
9	ST 2 007 A	CONE (4)		
10	325 236 R31	IDLER w/PLUG, 270 835 R1, front (2)		
11	270 835 R1	PLUG (2)		
12	609 606 C3	SHAFT (2)		
13	117 996	KEY (No. 24 Woodruff) (2)		(x) - As Required.

SUSPENSION

REF. NO.	PART NUMBER	DESCRIPTION	REF. NO.	PART NUMBER	DESCRIPTION
----------	-------------	-------------	----------	-------------	-------------

HYDRAULIC TRACK ADJUSTING FORK AND RELATED PARTS (1450 and Below)



CE-105359A

1	609 618 C1	SCRAPER, front idler (2) SCREW, hex-hd cap (4)	9	330 693 R2	ROD, hydraulic track adjusting (Not for Manual Shift Custom) (2)
2	109 461	FITTING, hydraulic track adjusting piston lubrication (2)	10	624 465 C1 117 996	CAP, front idler fork (4) KEY
3	319 628 R91	BALL CHECK, crossplate lubrication inlet (2)	11	703 321 C1	FORK, front idler (2) (Order the following -
6	609 616 C1	SEAL, hydraulic track adjuster piston (2)			2 BAR 620 121 C2
7	609 615 C1	BODY, hydraulic track adjuster piston (Order the following -			1 BLOCK 655 804 C1
		1 PISTON 629 256 C1			1 BLOCK 655 805 C1
		1 SEAL 609 616 C1			1 DRAWING CZG-1311
		2 RING 325 249 R1			1 DRAWING IZG-8913
		1 RING 336 000 R1)			1 DOOR 655 961 C1
					1 FORK 662 502 C1
					1 KEY 117 985
					4 PIN 19 838 R1)
				117 985	KEY, woodruff
				271 618	SCREW, hex-hd (8)
8	609 617 C1	SCRAPER, hydraulic track adjuster piston (2)	12	337 646 R1	SEAT, front track spring (2)
9	337 650 R2	ROD, hydraulic track adjusting (For Manual Shift Custom) (2)	13	325 223 R2	SPRING, track (2)
			14	337 647 R1	SEAT, rear track spring (2)

SUSPENSION

REF. NO.	PART NUMBER	DESCRIPTION	REF. NO.	PART NUMBER	DESCRIPTION
HYDRAULIC TRACK ADJUSTING FORK AND RELATED PARTS - Continued (1450 and below)					
15	662 799 C1	PLUG, hydraulic adjuster bleeder (Order Relief Valve 707 271 C1) (2)			
	or				
15	319 628 R91	PLUG, hydraulic adjuster bleeder (Order Relief Valve 707 271 C1)(2)			
	50 410 DA	PLUG, pipe			
15	707 271 C1	VALVE, relief (2)			
16	607 915 C1	PLATE, wear (Part of PACKAGE, 620 319 C91)			
16	620 319 C91	PACKAGE, front idler fork wear plate service (Consists of Plate, Wear, 607 915 C1, IZG-8999 front idler fork and wear bar location, and IZG-7408 weld instructions (Each package contains one bar)			
17	620 318 C91	PACKAGE, front idler guide bar service (Consists of Guide Wear Bar, IZG-8999 front idler wear bar location and IZG-7408 weld instructions) (Each package contains one wear bar)			
18		BLOCK (Not furnished separately)			
19	336 000 R1	RING, piston seal retainer (2)			
20	325 249 R1	RING, guide (4)			
21	629 256 C1	PISTON, hydraulic track adjusting (2)			
22	609 609 C1	CYLINDER, hydraulic track adjuster			
	624 839 C91	PACKAGE, front idler LH block and cap (Consists of Block LH front idler shaft, cap, 624 465 C1, two bolt, 3/4 x 1-3/4" and print fork assy.)			
	624 840 C91	PACKAGE, front idler RH block and cap (Consists of Block RH front idler shaft, Cap, 624 465 C1, two Bolt, 3/4 x 1-3/4" and print fork assy.)			
	662 643 C91	PACKAGE, front idler fork improvement (For use on idler without track frame covers) (See NOTE 3)			
	§ 1	COVER			
	1	DOOR	740 182 C1		
	1	DRAWING	CZG-1311		
	1	DRAWING	CZG-1312		
	1	DRAWING	CZG-1903)		

DOOR, hydraulic track adjuster (Refer to "Front Idler Fork and Hydraulic Track Adjuster")
SCREW, hex-hd cap (2)

24 875 R1

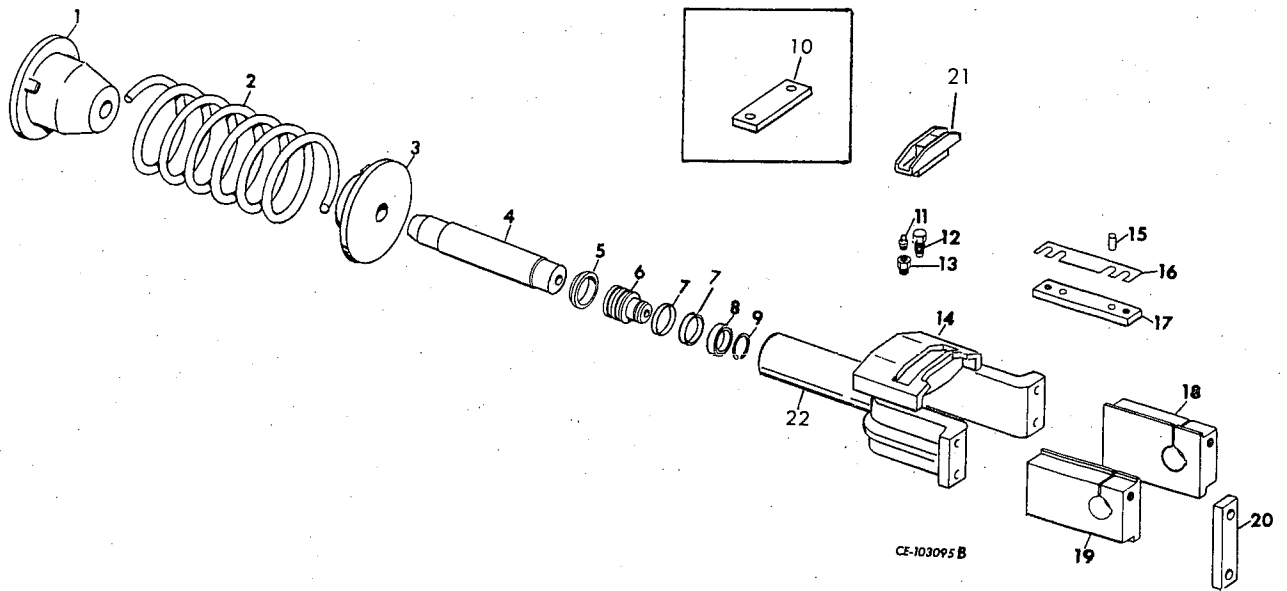
§ - Not Furnished Separately.

NOTE 3: Field Application - Order through Regular Parts Channels.

SUSPENSION

REF. NO.	PART NUMBER	DESCRIPTION	REF. NO.	PART NUMBER	DESCRIPTION
----------	-------------	-------------	----------	-------------	-------------

FRONT IDLER FORK AND HYDRAULIC TRACK ADJUSTER (1451 and up)



1	337 647 R1	SEAT, rear track spring (2)	13	319 628 R91	VALVE, lubrication inlet check (2)
2	325 223 R2	SPRING, track (2)	14	662 502 C2	FORK w/COVER and CYLINDER, 609 609 C1, front idler (Together with DOOR, 655 961 C1, will work for FORK, 655 822 C1) (2)
3	337 646 R1	SEAT, front track spring (2)		24 889 R1	SCREW, hex-hd cap (8)
4	655 540 C1	ROD, hydraulic track adjuster (2)(+)		62 177 V	WASHER, hardened (8)
4	611 394 C2	ROD, hydraulic track adjuster (2) (For Low Ground Pressure)	15	19 838 R1	PIN, dowel (8)
5	609 617 C1	SCRAPER, track adjusting rod (2)	16	620 123 C1	SHIM, idler guide and wear bar (x)
6	629 256 C1	PISTON, hydraulic track adjusting (2)	17	620 121 C2	BAR, upper front idler guide and wear (4)
7	325 249 R1	RING, guide (4)		24 873 R1	SCREW, hex-hd cap (8)
8	609 616 C1	SEAL (2)	18	655 804 C1	BLOCK, LH front idler guide (Outside for LH idler and inside for RH idler) (2)
9	336 000 R1	RING, piston seal retainer (2)		25 908 R1	SCREW, hex-hd cap (2)
10	655 963 C2	SHIELD, hydraulic track adjuster valve (Use with FORK, 655 822 C1) (2)(+)		232 359 R1	WASHER, hardened (2)
	24 871 R1	SCREW, hex-hd cap (4)	19	655 805 C1	BLOCK, RH front idler guide (Inside for LH idler and outside for RH idler) (2)
	25 537 R1	WASHER (4)		25 908 R1	SCREW, hex-hd cap (2)
11	109 461	FITTING, crossplate lubrication (2)		232 359 R1	WASHER, hardened (2)
12	319 628 R91	PLUG, hydraulic adjuster bleeder (Order VALVE, 707 270 C91)(2)	20	612 539 C1	STOP, front idler (4)
	50 410 DA	PLUG, pipe		39 422 D	SCREW, hex-hd cap (8)
12	707 270 C91	VALVE, safety relief (2) (Composed of—			
		1 BALL		17 007 R1	
		§ 1 BODY			
		1 PLUG		26 839 D	
		1 SCREW		617 256 C1	
		1 SPRING		662 519 C1	

(x) - As Required.

SUSPENSION

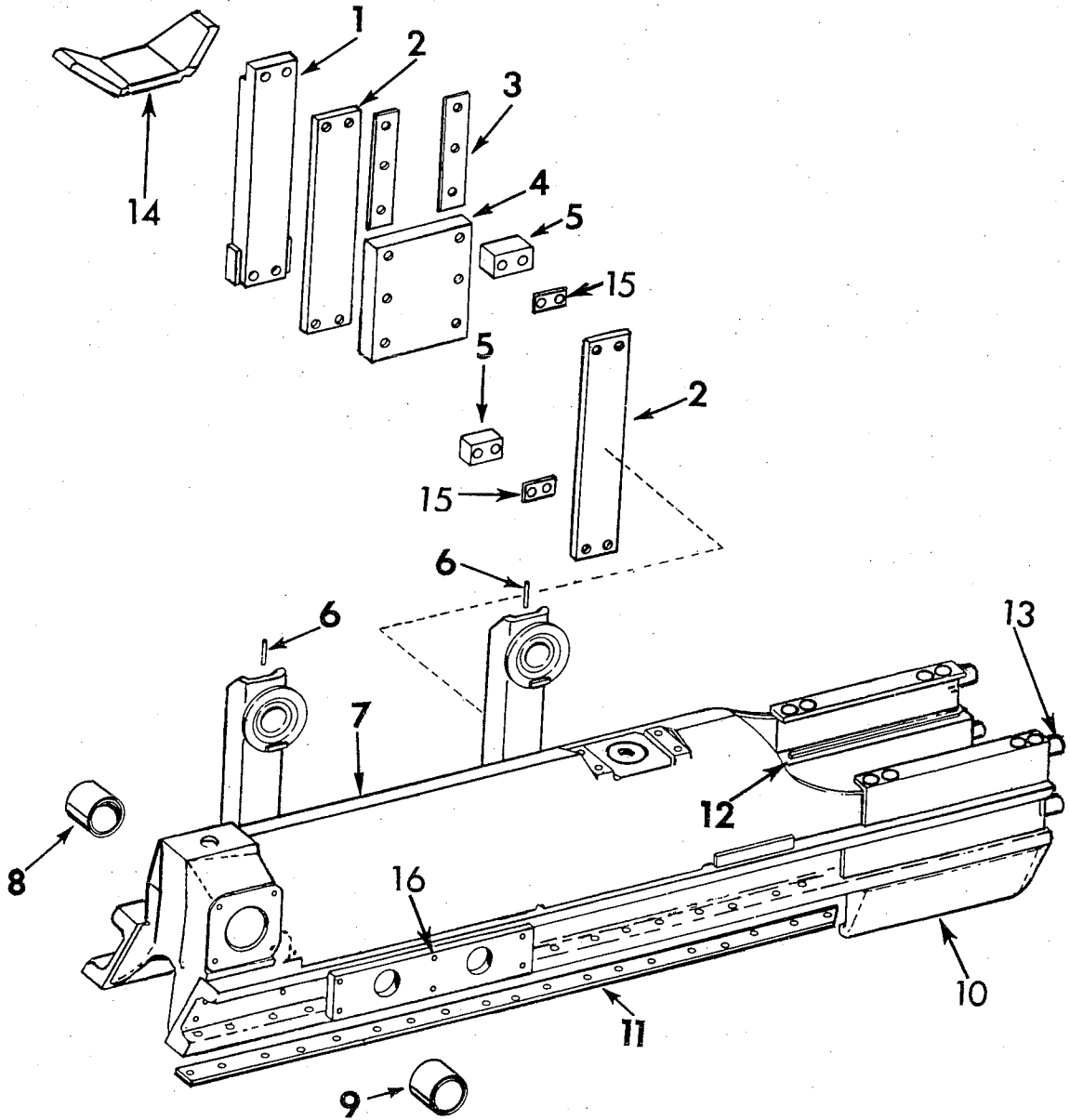
REF. NO.	PART NUMBER	DESCRIPTION	REF. NO.	PART NUMBER	DESCRIPTION
FRONT IDLER FORK AND HYDRAULIC TRACK ADJUSTER – Continued (1451 and up)					
21	655 961 C2	DOOR, hydraulic track adjuster(Order DOOR, 740 182 and DRAWING, CZG 3859)			
	24 875 R1	SCREW, hex-hd cap (4)			
	25 537 R1	WASHER (4)			
21	740 182 C1	DOOR, hydraulic track adjuster			
	24 875 R1	BOLT (4)			
	25 537 R1	WASHER (4)			
22	609 609 C1	CYLINDER, hydraulic track adjuster (For FORK, 662 502 C2 or 655 822 C1)			

(+) - Not For Low Ground Pressure
(x) - As Required.

SUSPENSION

REF. NO.	PART NUMBER	DESCRIPTION	REF. NO.	PART NUMBER	DESCRIPTION
----------	-------------	-------------	----------	-------------	-------------

TRACK FRAME
(Not For Low Ground Pressure)



1	612 508 C11 25 911 R1 277 606 R1	RETAINER, track frame guide (2) SCREW, hex-hd cap (8) WASHER, hardened (8)			
2	330 599 R1	PLATE, track frame guide wear (4)	4	612 509 C2	PLATE, track frame guide (Together with two SHIMS, 655 682 C1, will work for PLATE, 612 509 C1) (2)
3	604 012 C1	SHIM, light guide plate (x)		25 357 R1	SCREW, hex-hd cap (8)
3	604 013 C1	SHIM, medium guide plate (x)	5	616 177 C1	SPACER, track frame guide (Order SPACER, 616 184 C2 and four SHIMS, 655 682 C1) (4)
3	604 014 C1	SHIM, heavy guide plate (x)			501 to 930.
4	612 509 C1	PLATE, track frame guide (Order PLATE, 612 509 C2 and two SHIMS, 655 682 C1) (2) 501 to 930	5	616 184 C2	SPACER, track frame guide (4) 931 up

CE-103711-D

SUSPENSION

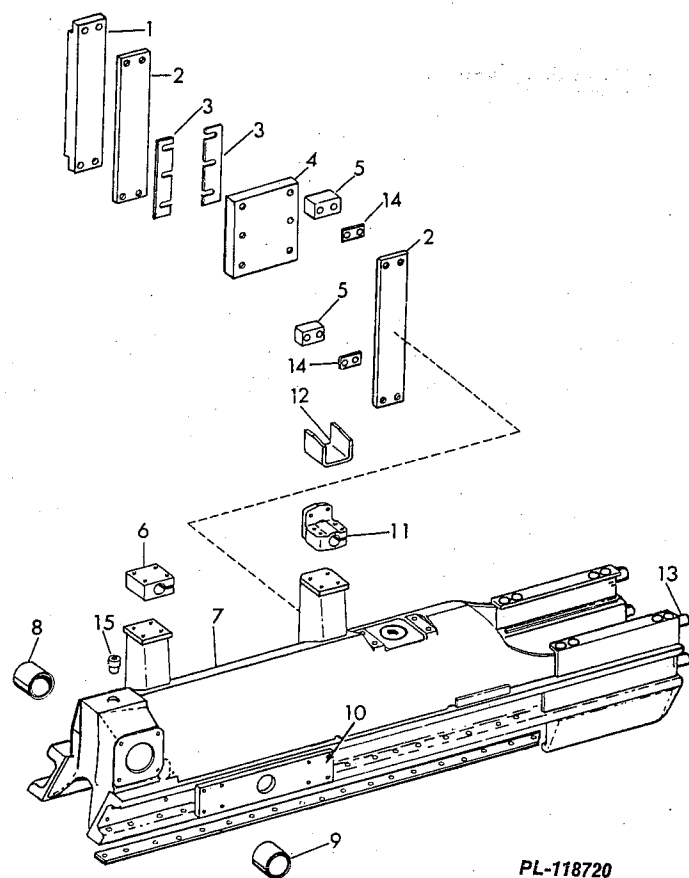
REF. NO.	PART NUMBER	DESCRIPTION	REF. NO.	PART NUMBER	DESCRIPTION
TRACK FRAME — Continued (Not For Low Ground Pressure)					
6	141 239	PIN, track idler bracket (4)			
7	655 532 C91	FRAME w/BUSHING, 607 931 C1, BUSHING, 609 579 C1, BLOCK, 612 538 C1, GUARD, 707 514 C1 and PLATE 655 547 C1, LH track			
7	655 533 C91	FRAME w/BUSHING, 607 931 C1, BUSHING, 609 579 C1, BLOCK, 612 538 C1, GUARD, 707 514 C1 and PLATE 655 547 C1, RH track			
8	607 931 C2	BUSHING, inner pivot shaft (2)			
9	609 579 C2	BUSHING, outer pivot shaft (2))			
10	620 455 C1	GUIDE, track chain (2)			
11	655 539 C1	SPACER, track roller mounting (4)			
12	703 599 C91	PACKAGE, track frame front idler guide and wear bar field service (Consists of Idler Bar Guide and Wear Guide, IZG-8809, Wear Bar Installation and IZG-7408 Weld Instruction)			
13	612 538 C1	BLOCK, front idler stop tapping (8)			
14	707 514 C1	GUARD, track frame guide (2)			
15	655 682 C1	SHIM, track frame guide (20)			
16	655 547 C1	PLATE, mounting (2)			
	662 689 C91	PACKAGE, track idler rear support service (Consists of the following parts - 1 PACKAGE 662 687 C91 1 PIN 141 239 § 1 SUPPORT)			
	662 687 C91	PACKAGE, track idler support gusset service (Consists of DRAWING, CZG-1351 and GUSSET)			
	662 688 C91	PACKAGE, track idler front support service (Consists of the following parts - 2 BOLT 25 911 R1 1 PACKAGE 662 687 C91 1 PIN 141 239 § 1 SUPPORT)			
	25 911 R1	BOLT, track frame guide (Part of PACKAGE, 662 688 C91) (2)			
	141 239	PIN, track idler bracket (Part of PACKAGE, 662 689 C91)			

§ - Not Furnished Separately.
(x) - As Required.

SUSPENSION

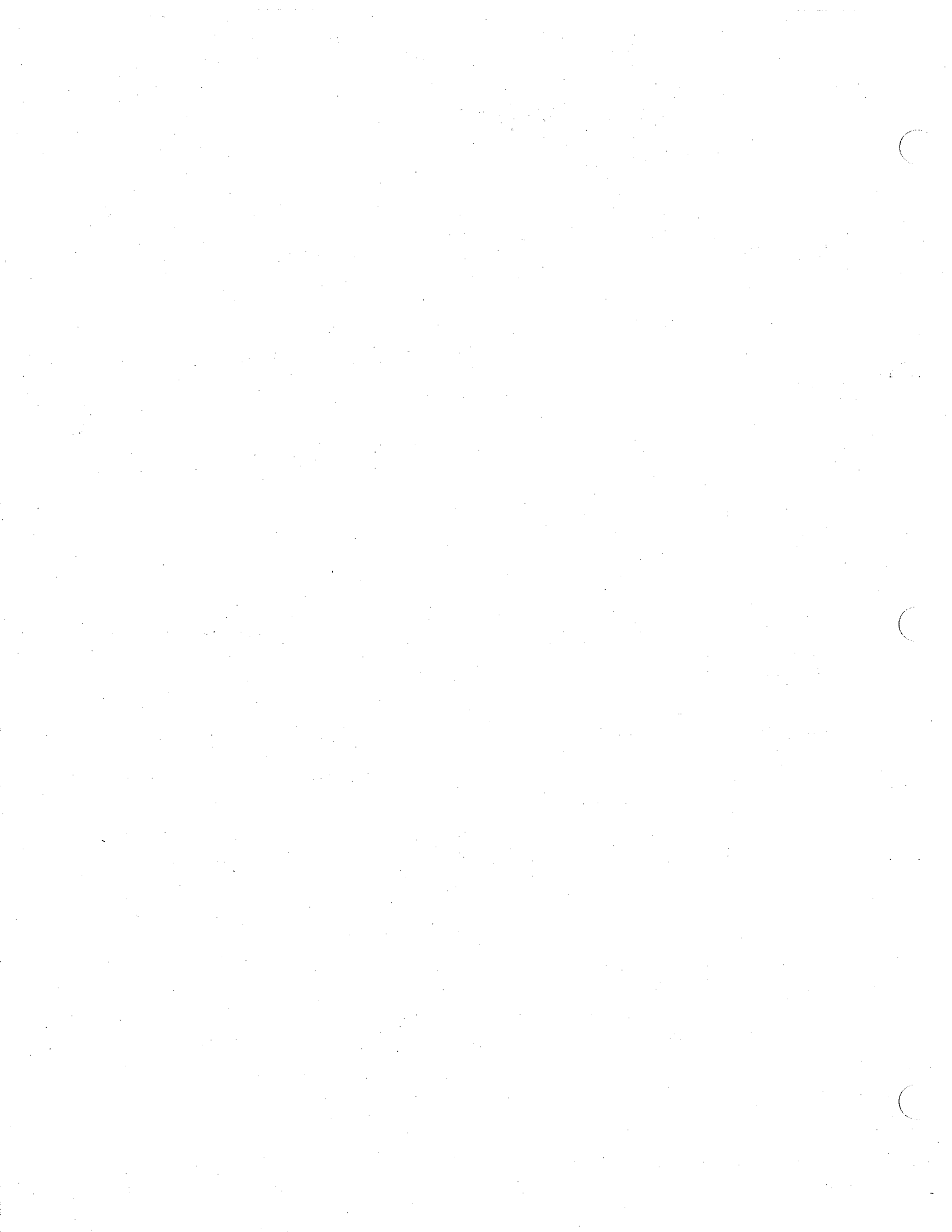
REF. NO.	PART NUMBER	DESCRIPTION	REF. NO.	PART NUMBER	DESCRIPTION
----------	-------------	-------------	----------	-------------	-------------

TRACK FRAME (For Low Ground Pressure)



7	715 607 C91	FRAME, LH track (Composed of - 4 BLOCK 1 BUSHING 1 BUSHING 1 GUARD 1 PLATE 1 PLUG			612 538 R1 609 579 C2 655 340 C1 740 218 C1 740 170 C1 9 409 949
7	715 608 C91	FRAME, RH track (Composed of - 4 BLOCK 1 BUSHING 1 BUSHING 1 GUARD 1 PLATE 1 PLUG			612 538 R1 609 579 C2 655 340 C1 740 218 C1 740 170 C1 9 409 949
8	655 340 C1	BUSHING, inner pivot shaft (2)			
9	609 579 C2	BUSHING, outer pivot shaft (2)			
10	740 170 C1	PLATE, mounting (2)			
11	715 599 C1 24 894 R1 39 422 D	BRACKET, to idler mounting (2) BOLT (8) WASHER (8)			
12	740 218 C1	GUARD, track frame guide (2)			
13	612 538 C1	BLOCK, front idler stop tapping (8)			
14	655 682 C1	SHIM, track frame guide (20)			
15	9 409 949	PLUG, 3/4 NPT			

1	715 591 C1 25 909 R1 25 540 R1	RETAINER, track frame guide (2) SCREW, hex-hd cap (8) WASHER, hardened (8)
2	715 590 C1	PLATE, track frame guide wear (4)
3	740 265 C1	SHIM, track frame guide plate (20)
4	611 295 C2 26 028 R1 25 539 R1	PLATE, track frame guide (2) SCREW, hex-hd cap (12) WASHER, flat (12)
5	616 184 C2	SPACER, track frame guide (4)
6	740 217 C1 25 964 39 422 D	BLOCK, rear idler mounting (2) BOLT (8) WASHER (8)

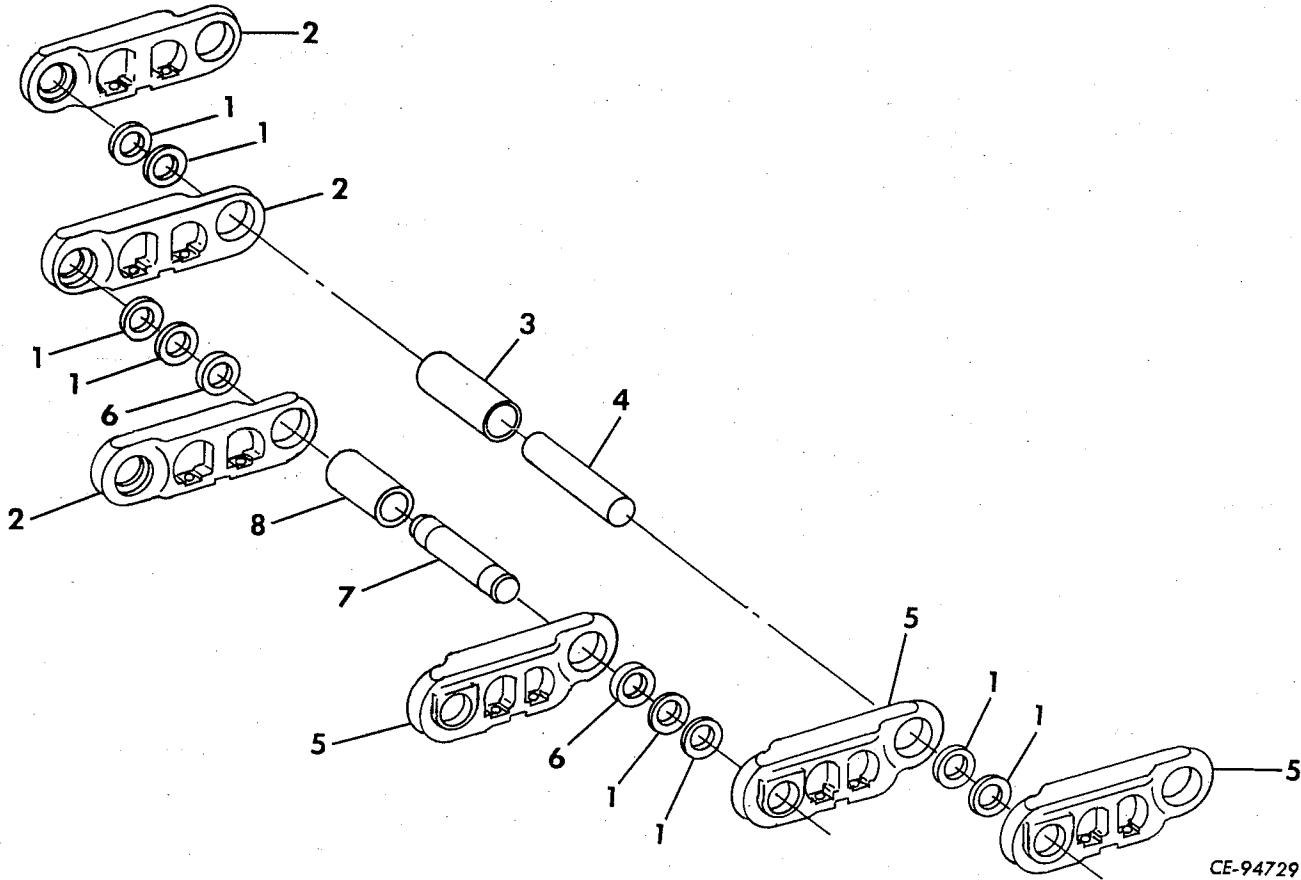


**REFER TO ALPHABETICAL INDEX
FOR COMPLETE LISTING OF PARTS**

WHEELS AND TRACTION

REF. NO.	PART NUMBER	DESCRIPTION	REF. NO.	PART NUMBER	DESCRIPTION
----------	-------------	-------------	----------	-------------	-------------

TRACK CHAIN AND TRACK CHAIN WITH SHOES

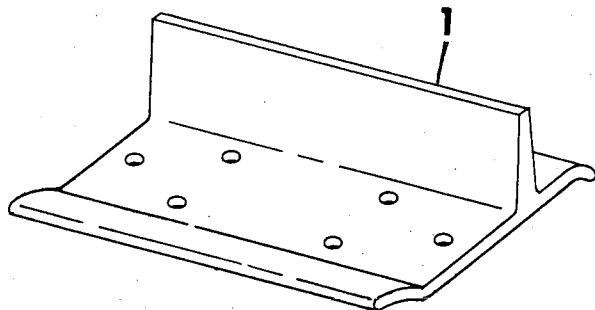


A	655 531 C92	TRACK ASSY., (Less shoes)(+)(2) (Consists of		39 SHOE	636 584 C1
				1 TRACK	655 531 C92)
B	715 611 C91	TRACK ASSY., (Less shoes)(For Low Ground Pressure)(2)	636 597 C91	CHAIN, track(With shoes)(20" square corner shoe)(Replaces,662 514 C91)	
1	616 203 C1	WASHER, belleville(156 for A)(176 for B)		(*) (+) (Composed of -	
2	624 845 C3	LINK, RH track (39 for A)(44 for B)		156 BOLT	624 848 C1
3	655 008 C1	BUSHING, track link (38 for A)(43 for B)	636 599 C91	156 NUT	616 226 C1
4	655 006 C1	PIN, track link(38 for A)(43 for B)		39 SHOE	636 587 C91
5	624 844 C3	LINK, LH track(39 for A)(44 for B)		1 TRACK	655 531 C92)
6	616 205 C1	SPACER, master bushing (2)			
7	655 007 C1	PIN, track master			
8	655 009 C1	BUSHING, track master			
	636 593 C91	CHAIN, track (With shoes)(18" square corner shoe)(Replaces,662 513 C91)			
		(*) (+) (Composed of -			
		156 BOLT			624 848 C1
		156 NUT			616 226 C1

(+) - Not For Low Ground Pressure.
 (*) - Above Chains Service One Side of Tractor.
 When Both Sides are to be Serviced, Order
 Two Assemblies.

WHEELS AND TRACTION

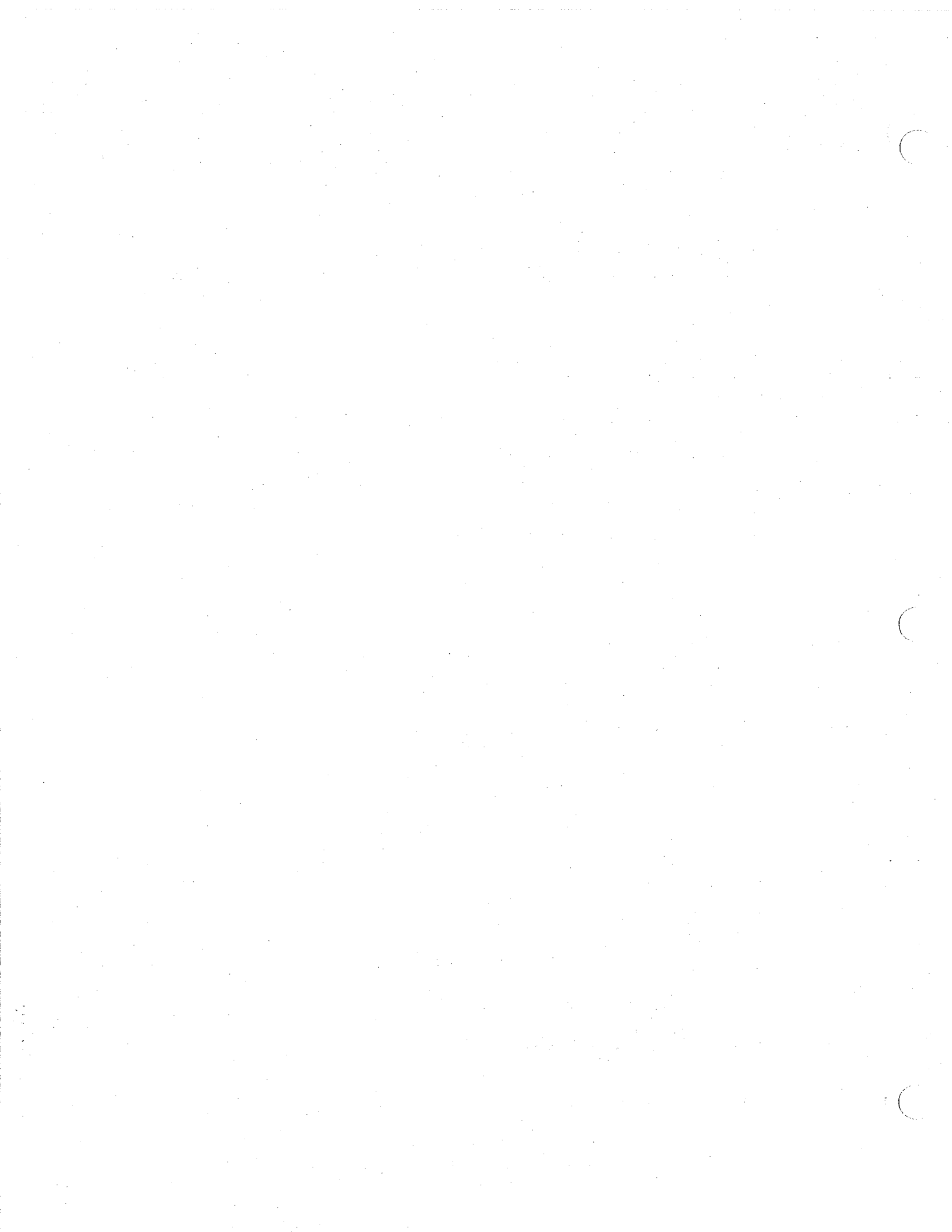
REF. NO.	PART NUMBER	DESCRIPTION	REF. NO.	PART NUMBER	DESCRIPTION
TRACK SHOES					
			629 431 C91		ATTACHMENT, clipped corner track shoe 18"(Consists of 312 BOLT, 624 848 C1, 312 NUT, 616 226 C1, and 78 SHOE, 655 560 C1)(See NOTE 4) (+)
			636 585 C91		ATTACHMENT, square corner track shoe 18"(Consists of 312 BOLT, 624 948 C1, 312 NUT, 616 226 C1, and 78 SHOE, 636 584 C1)(See NOTE 4) (+)
			629 432 C91		ATTACHMENT, clipped corner track shoe 20" (Consists of 312 BOLT, 624 848 C1, 312 NUT, 616 226 C1, and 78 SHOE, 655 560 C1) (See NOTE 4)(+)
			636 590 C91		ATTACHMENT, square corner track shoe 20"(Consists of 312 BOLT, 624 848 C1, 312 NUT, 616 226 C1 and 78 SHOE, 636 587 C1)(See NOTE 4) (+)
1	715 579 C1	SHOE, clipped corner track 37" extreme(88)(For Low Ground Pressure)	629 496 C91		ATTACHMENT, clipped corner track shoe 22"(Consists of 312 BOLT, 624 848 C1, 312 NUT, 616 226 C1 and 78 SHOE, 655 561 C1)(See NOTE 4) (+)
1	655 546 C1	SHOE, clipped corner track 18" (Part of ATTACHMENT, 629 431 C91)(78)(Order SHOE, 636 584 C1)	636 598 C91		ATTACHMENT, square corner track shoe 22"(Consists of 312 BOLT, 624 848 C1, 312 NUT, 616 226 C1 and SHOE, 636 589 C1)(See NOTE 4)(+)
1	636 584 C1	SHOE, square corner track 18"(Part of ATTACHMENT, 636 585 C91)(78)	629 498 C91		ATTACHMENT, clipped corner track shoe 24" (For Custom Application) (Consists of 312 BOLT, 624 848 C1 312 NUT, 616 226 C1 and 78 SHOE, 655 747 C1)(See NOTE 4)
1	655 560 C1	SHOE, clipped corner track 20"(Part of ATTACHMENT, 629 432 C91)(78)	636 600 C91		ATTACHMENT, square corner track shoe 24"(For Custom Applications) (Consists of 312 BOLT, 624 848 C1, 312 NUT, 616 226 C1 and 312 SHOE, 636 595 C1)(See NOTE 4)
1	636 587 C1	SHOE, square corner track 20"(Part of ATTACHMENT, 636 590 C91)(78)			
1	655 561 C1	SHOE, clipped corner track 22"(Part of ATTACHMENT, 629 496 C91)(78)			
1	636 589 C1	SHOE, square corner track 22"(Part of ATTACHMENT, 636 598 C91)(78)			
1	665 747 C1	SHOE, clipped corner track 24"(Part of ATTACHMENT, 629 498 C91) (For Custom Applications)(78)			
1	636 595 C1	SHOE, square corner track 24" (Part of ATTACHMENT, 636 600 C91)(78)			
	624 848 C1	BOLT, track shoe (312)(352 for Low Ground Pressure)			
	616 226 C1	NUT, track shoe bolt (312)(352 For Low Ground Pressure)			



CE-103096

(+) - Not For Low Ground Pressure.

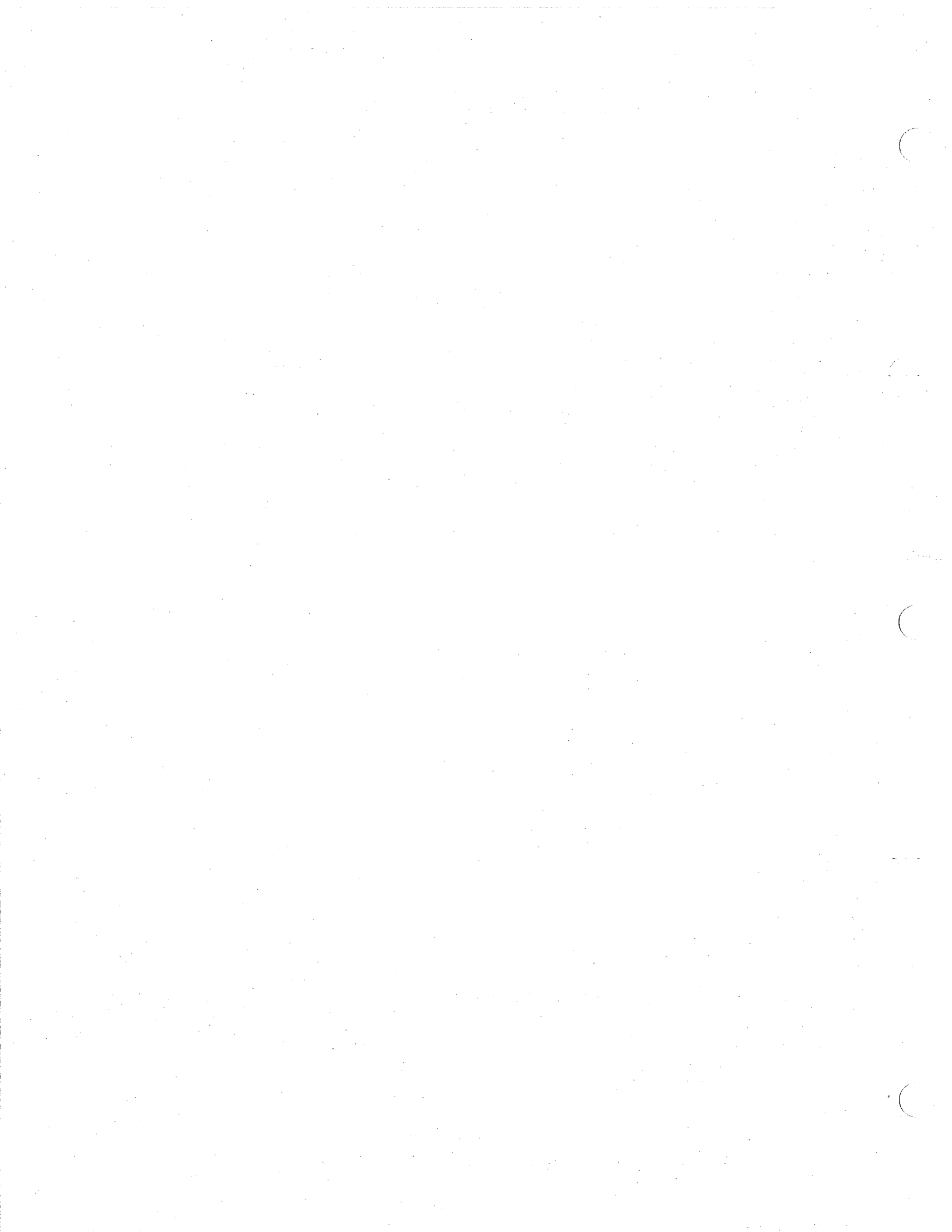
NOTE 4: Attachments No Longer Available. Service Parts Will Be Furnished.



NOT USED ON THIS MACHINE

BODY-BOWL

16

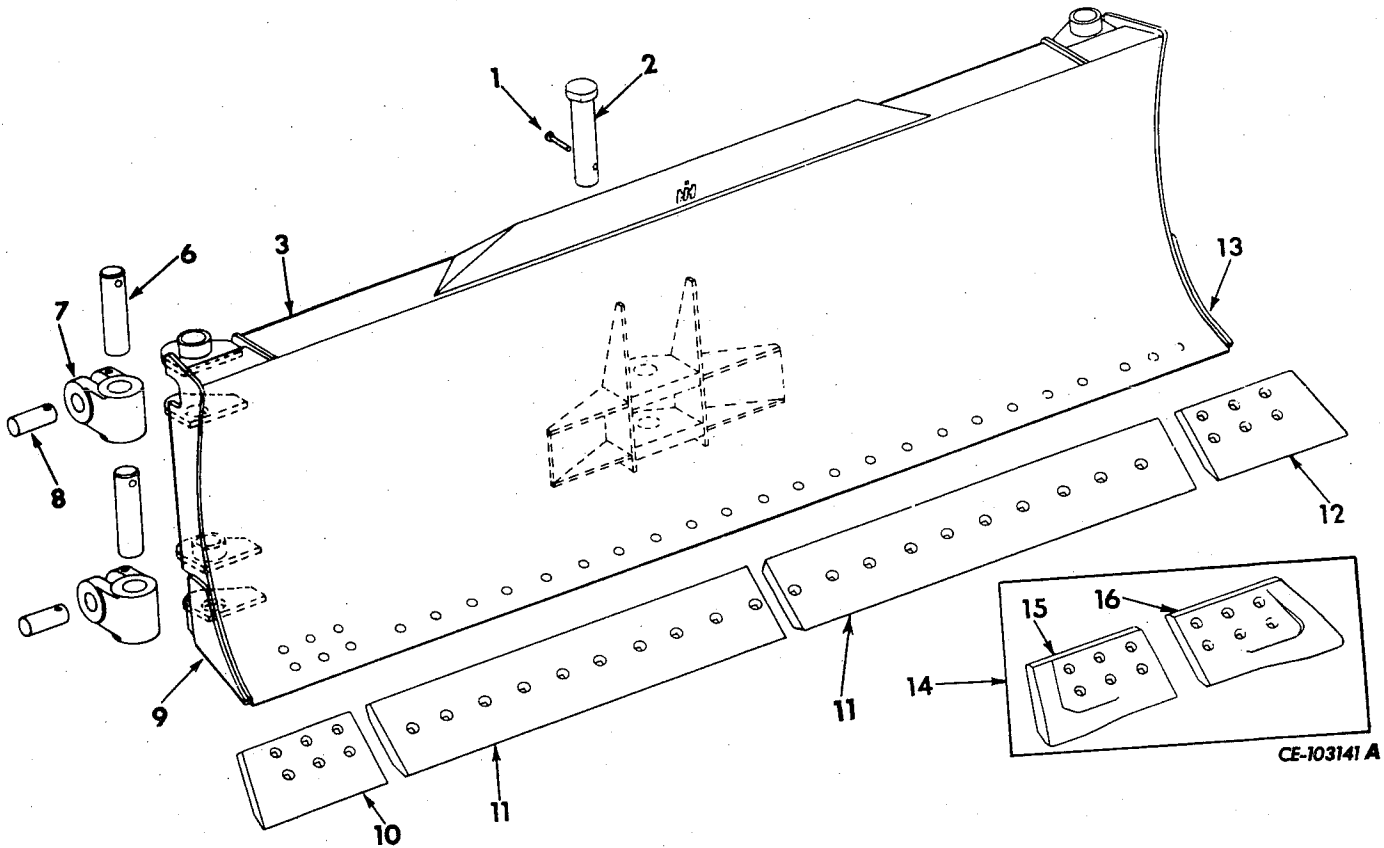


**REFER TO ALPHABETICAL INDEX
FOR COMPLETE LISTING OF PARTS**

MOUNTED EQUIPMENT

REF. NO.	PART NUMBER	DESCRIPTION	REF. NO.	PART NUMBER	DESCRIPTION
----------	-------------	-------------	----------	-------------	-------------

BULLGRADER BLADE
(Not For Low Ground Pressure)



<p>1 49 127 H PIN, rod end 137 185 PIN, cotter</p> <p>2 600 671 C1 PIN, crosshead clevis</p> <p>3 711 535 C91 BLADE w/EDGE and BITS ASSY., (Replaces, 705 706 C91) (Composed of -</p> <p style="padding-left: 20px;">1 BIT 626 001 C1</p> <p style="padding-left: 20px;">1 BIT 626 002 C1</p> <p style="padding-left: 20px;">§ 1 BLADE</p> <p style="padding-left: 20px;">26 BOLT 327 226 R1</p> <p style="padding-left: 20px;">6 BOLT 326 223 R1</p> <p style="padding-left: 20px;">2 EDGE 623 991 C1</p> <p style="padding-left: 20px;">32 NUT 220 081</p> <p style="padding-left: 20px;">1 PLATE 320 756 R1</p> <p style="padding-left: 20px;">1 PLATE 320 757 R1)</p> <p>6 319 453 R1 PIN, strut swivel (4) 9 412 230 NUT, lock (4) 24 867 R1 SCREW, hex-hd cap (4)</p> <p>7 319 452 R1 CLEVIS, strut swivel (4)</p> <p>8 319 454 R1 PIN, strut clevis (4) 9 413 981 NUT, lock (4) 25 504 R1 SCREW, hex-hd cap (4)</p> <p>9 320 757 R1 PLATE, wear RH</p>	<p>10 626 002 C1 BIT, RH end 327 226 R1 BOLT, 2-1/2" long plow (No. 3 hd) (3)</p> <p>326 223 R1 BOLT, 3-1/2" long plow (No. 3 hd) (3)</p> <p>220 081 NUT (6)</p> <p>11 623 991 C1 EDGE, cutting (2) 327 226 R1 BOLT, plow (No. 3 hd) (20) 220 081 NUT (20)</p> <p>12 626 001 C1 BIT, LH end 327 226 R1 BOLT, 2-1/2" long plow (No. 3 hd) (3)</p> <p>326 223 R1 BOLT, 3-1/2" long (No. 3 hd) (3)</p> <p>220 081 NUT (6)</p> <p>13 320 756 R1 PLATE, wear LH</p> <p>14 629 454 C91 ATTACHMENT, end bits (Cast steel) (See NOTE 3)</p>	<p>NOTE 3: Field Application - Order through Regular Parts Channels.</p> <p>§ - Not furnished separately.</p>
---	---	---

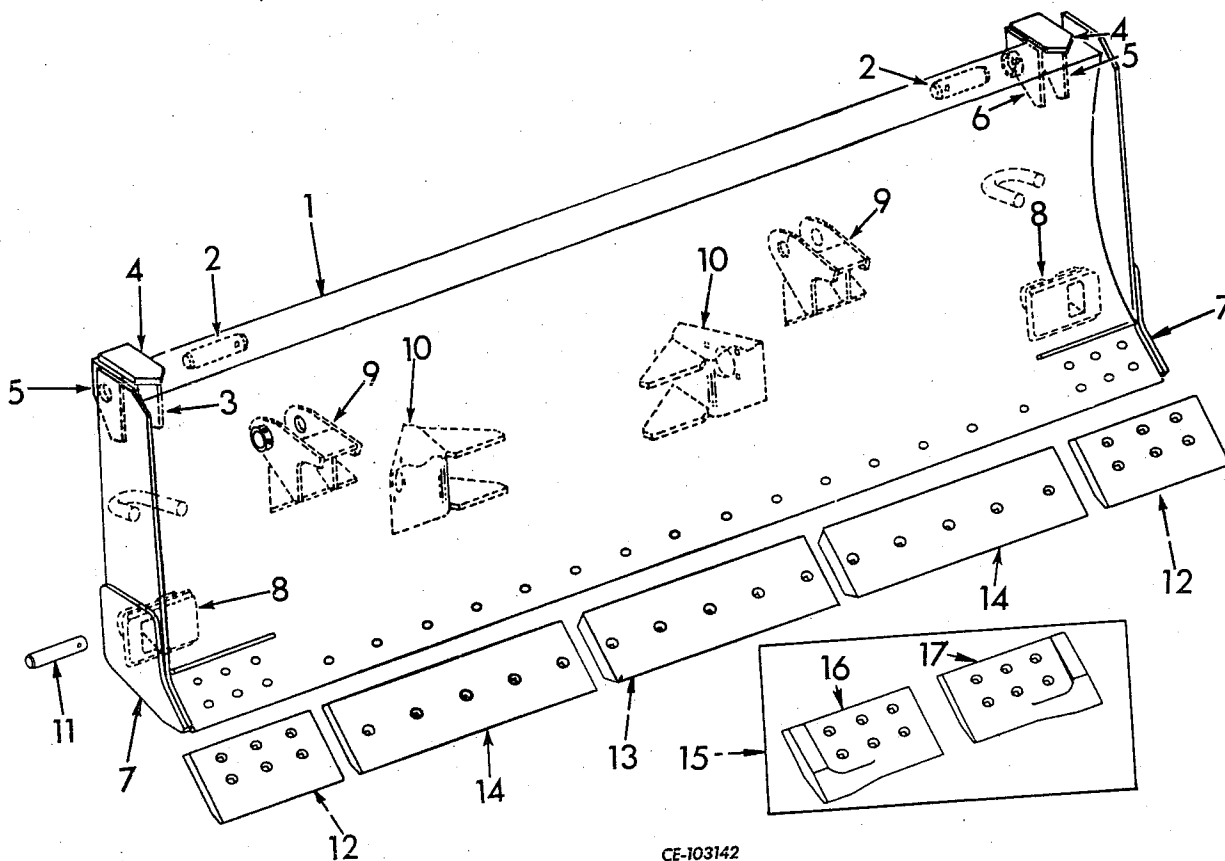
MOUNTED EQUIPMENT

REF. NO.	PART NUMBER	DESCRIPTION	REF. NO.	PART NUMBER	DESCRIPTION
BULLGRADER BLADE - Continued (Not For Low Ground Pressure)					
15	619 564 C1	BIT, RH end			
	327 226 R1	BOLT, 2-1/2" long plow (No. 3 hd) (3)			
	326 223 R1	BOLT, 3-1/2" long plow (No. 3 hd) (3)			
	25 529 R1	NUT (6)			
16	619 563 C1	BIT, LH end			
	327 226 R1	BOLT, 2-1/2" long plow (No. 3 hd) (3)			
	326 223 R1	BOLT, 3-1/2" long plow (No. 3 hd) (3)			
	25 529 R1	NUT (6)			

MOUNTED EQUIPMENT

REF. NO.	PART NUMBER	DESCRIPTION	REF. NO.	PART NUMBER	DESCRIPTION
----------	-------------	-------------	----------	-------------	-------------

BULLDOZER BLADE
 (Not Semi - "U")
 (Not For Low Ground Pressure)



1	704 021 C92	BLADE w/EDGE and BIT ASSEMBLY: (Composed of - § 1 BLADE 6 BOLT 21 BOLT 2 BRACKET 2 BRACKET 1 EDGE 2 EDGE 2 FITTING 1 LUG 1 LUG 2 LUG 2 PLATE 2 PLATE 2 SOCKET	7	618 243 C1	PLATE, wear (2)
		2 BIT 626 003 C1			8 320 798 R91 BRACKET, push arm (2)
		9 412 230 NUT, lock (2)			9 704 019 C1 BRACKET, hydraulic (2)
		25 285 R1 SCREW, hex-hd cap (2)			10 320 832 R2 SOCKET, diagonal strut (2)
					11 309 789 R2 PIN, push arm bracket (2)
					9 412 230 NUT, lock (2)
					24 867 R1 SCREW, hex-hd cap (2)
					12 626 003 C1 BIT, end (2)
					342 616 R1 BOLT, 3/4 x 4-1/2" plow (No. 3 hd) (6)
					327 226 R1 BOLT, 3/4 x 2-1/2" plow (No. 3 hd) (6)
					220 081 NUT (12)
					13 623 988 C1 EDGE, cutting
					220 081 NUT (5)
					327 226 R1 BOLT, plow (No. 3 hd) (5)
2	315 506 R1	PIN, upper strut front (2)			
	9 412 230	NUT, lock (2)			
	25 285 R1	SCREW, hex-hd cap (2)			
3	315 090 R91	LUG, RH upper strut			
4	315 092 R1	PLATE, upper strut lug (2)			
5	315 091 R1	LUG, upper strut (2)			
6	315 089 R91	LUG, LH upper strut			

§ - Not Furnished Separately.

MOUNTED EQUIPMENT

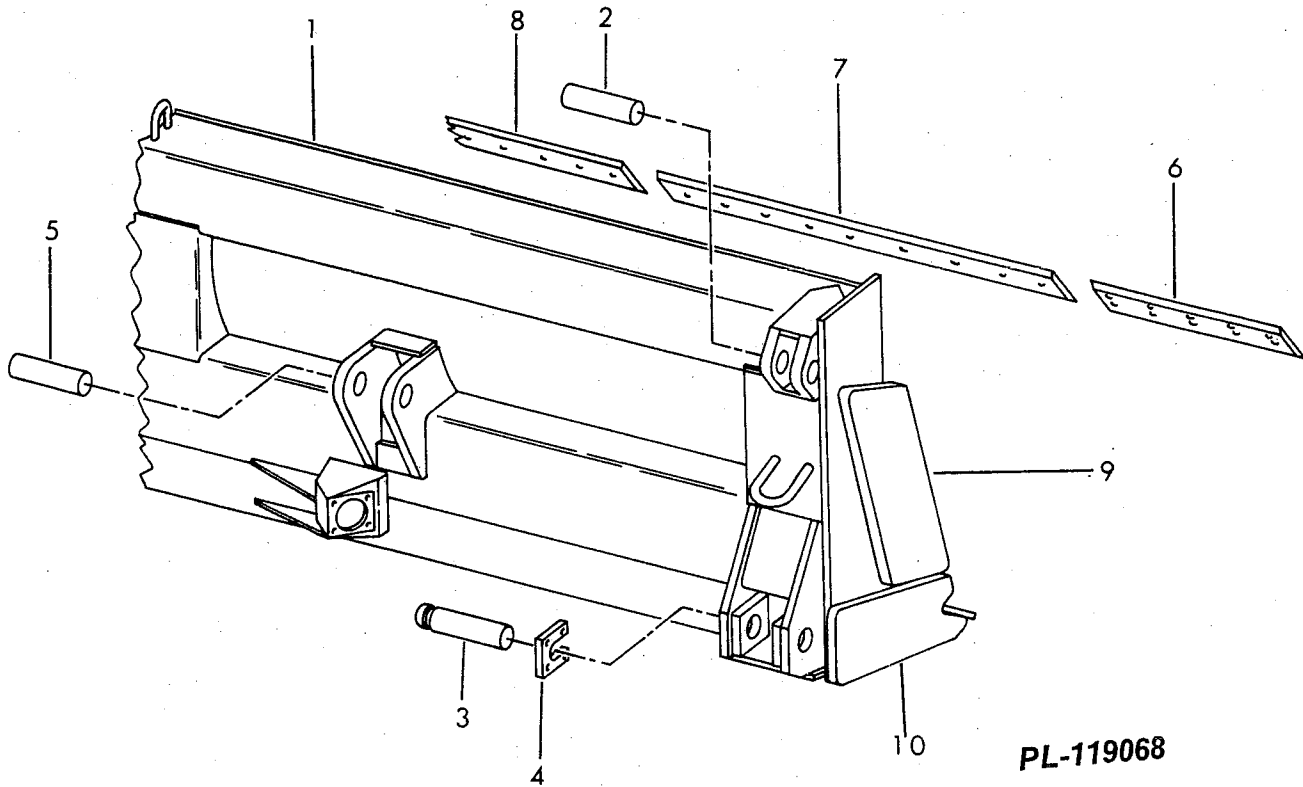
REF. NO.	PART NUMBER	DESCRIPTION	REF. NO.	PART NUMBER	DESCRIPTION
BULLDOZER BLADE — Continued					
(Not Semi - "U")					
(Not For Low Ground Pressure)					
14	623 987 C1	EDGE, cutting (2)			
	327 226 R1	BOLT, plow (No. 3 hd) (10)			
	220 081	NUT (10)			
15	629 453 C91	ATTACHMENT, end bit (Cast steel) (See NOTE 3)			
16	619 559 C1	BIT, LH end			
	342 616 R1	BOLT, 3/4 x 4-1/2" plow (No. 3 hd) (3)			
	327 226 R1	BOLT, 3/4 x 2-1/2" plow (No. 3 hd) (3)			
	25 529 R1	NUT (6)			
17	619 560 C1	BIT, RH end			
	342 616 R1	BOLT, 3/4 x 4-1/2" plow (No. 3 hd) (3)			
	327 226 R1	BOLT, 3/4 x 2-1/2" plow (No. 3 hd) (3)			
	25 529 R1	NUT (6)			
	109 461	FITTING, lubrication (2)			

NOTE 3: Field Application - Order through Regular Parts Channels.

MOUNTED EQUIPMENT

REF. NO.	PART NUMBER	DESCRIPTION	REF. NO.	PART NUMBER	DESCRIPTION
----------	-------------	-------------	----------	-------------	-------------

BULLDOZER BLADE
 (Not Semi-"U")
 (For Low Ground Pressure)



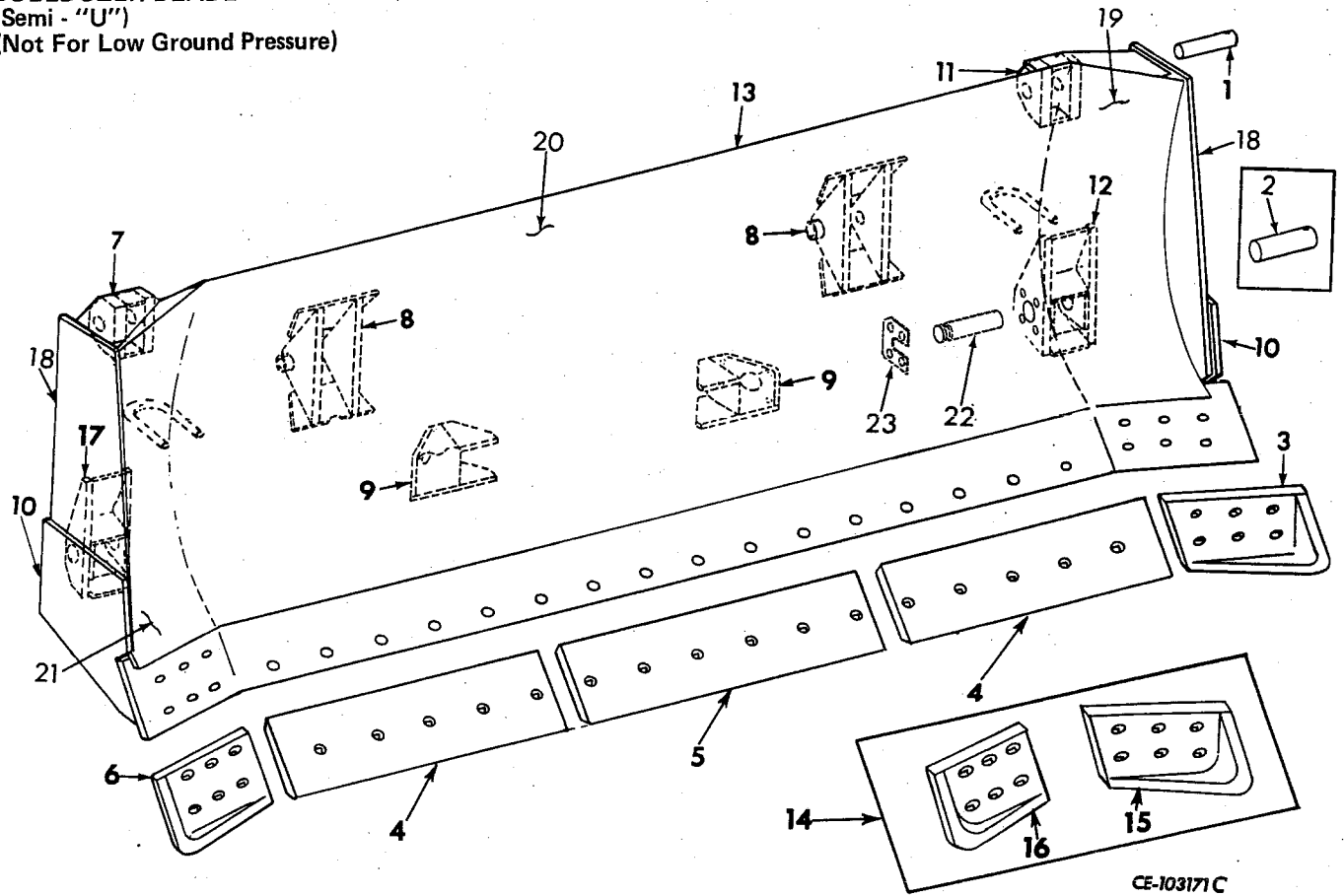
PL-119068

1	711 594 C91	BLADE w/EDGE and BIT ASSY., (Composed of— 2 BIT § 1 BLADE 31 BOLT 2 CUTTER 1 EDGE 2 EDGE 26 NUT 2 PLATE	4	711 517 C1	RETAINER, pusharm pin (2)
		626 003 C1		6	626 003 C1 BIT, end (2) 327 226 R1 BOLT, 2-1/2" long (6) 342 616 R1 BOLT, 4-1/2" long (6) 25 529 R1 NUT (12)
		712 742 C1		7	712 742 C1 EDGE, cutting (2) 327 226 R1 BOLT (14) 25 529 R1 NUT (14)
		623 989 C1		8	623 989 C1 EDGE, cutting 327 226 R1 BOLT (5) 25 529 R1 NUT (5)
2	315 506 R1 25 285 R1 9 412 230	PIN, upper strut front (2) BOLT (2) NUT (2)		9	608 172 C1 CUTTER, side (2)
3	710 423 C1	PIN, push arm (2)		10	711 591 C1 PLATE, lower wear (2)

MOUNTED EQUIPMENT

REF. NO.	PART NUMBER	DESCRIPTION	REF. NO.	PART NUMBER	DESCRIPTION
----------	-------------	-------------	----------	-------------	-------------

BULLDOZER BLADE
(Semi - "U")
(Not For Low Ground Pressure)



CE-103171 C

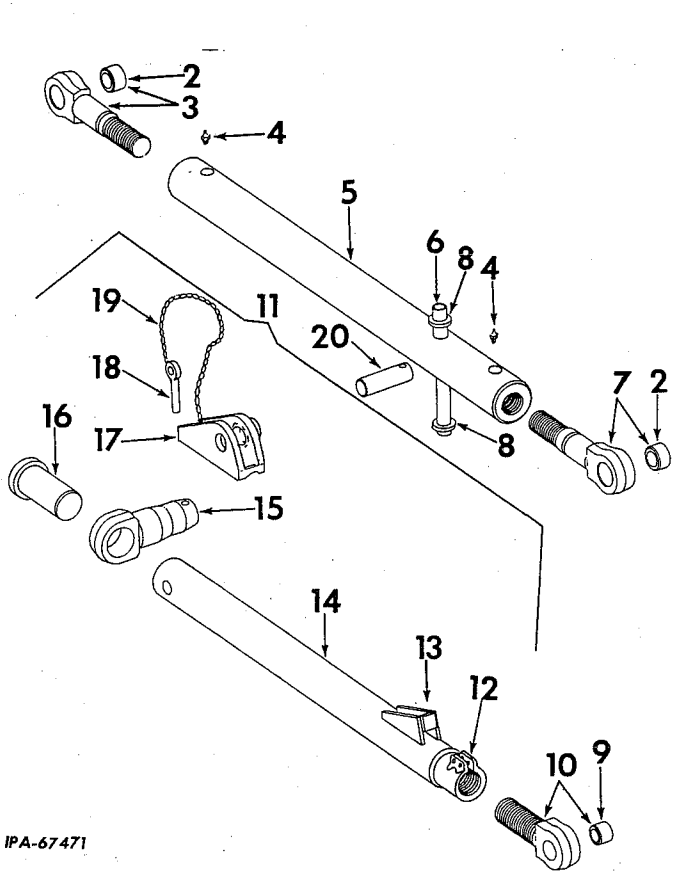
1	315 506 R1	PIN, strut (2)	11	611 655 C91	BRACKET, LH upper strut	
	9 412 230	NUT, lock (2)		12	608 072 C91	BRACKET, LH push arm(Used w/ BLADE, 700 861 C92)
	25 285 R1	SCREW, hex-hd cap (2)		12	710 466 C1	BRACKET, LH push arm(Used w/ BLADE, 711 820 C91)
2	309 789 R2	PIN, push arm(Used w/BLADE, 700 861 C92) (2)	12	710 466 C1	BRACKET, LH push arm(Used w/ BLADE, 711 820 C91)	
	9 412 230	NUT, lock (2)	13	700 861 C92	BLADE w/EDGE (Order the following—	
	24 867 R1	SCREW, hex-hd cap (2)			1 BLADE 711 820 C91	
3	646 334 C1	BIT, LH end			8 BOLT 24 861 R1	
	327 226 R1	BOLT, plow (No. 3 hd) (6)			2 PIN 710 423 C1	
	220 081	NUT (6)			2 RETAINER 711 517 C1)	
4	623 989 C1	EDGE, cutting (2)	13	711 820 C91	BLADE w/EDGE (Composed of -	
5	623 990 C1	EDGE, cutting			1 BIT 646 334 C1	
	327 226 R1	BOLT, plow (No. 3 hd) (16)			1 BIT 646 335 C1	
	220 081	NUT (16)			§ 1 BLADE	
6	646 335 C1	BIT, RH end			2 BRACKET 700 856 C1	
	327 226 R1	BOLT, plow (No. 3 hd) (6)			1 BRACKET 611 655 C91	
	220 081	NUT (6)			1 BRACKET 611 656 C91	
7	611 656 C91	BRACKET, RH upper strut			1 BRACKET 710 466 C1	
8	700 856 C1	BRACKET, hydraulic cylinder (2)			1 BRACKET 710 467 C1	
9	605 996 C1	SOCKET, diagonal strut (2)			1 CUTTER 608 172 C1	
10	608 053 C1	PLATE, wear (2)			1 EDGE 623 990 C1	
					2 EDGE 623 989 C1	
					1 LH MOLD	

§ - Not Furnished Separately.

MOUNTED EQUIPMENT

REF. NO.	PART NUMBER	DESCRIPTION	REF. NO.	PART NUMBER	DESCRIPTION
BULLDOZER BLADE – Continued (Semi - "U") (Not For Low Ground Pressure)					
		BOARD 608 054 C2	17	710 467 C1	BRACKET, RH push arm(Used w/ BLADE, 711 820 C91)
	1	MOLD BOARD 608 043 C2	18	608 172 C1	CUTTER, side (2)
	2	PLATE 608 053 C1	19	608 054 C2	MOLD BOARD, LH side
	1	RH MOLD BOARD 608 055 C2	20	608 043 C2	MOLD BOARD
	2	SOCKET 605 996 C1)	21	608 055 C2	MOLD BOARD' RH side
14	628 398 C91	ATTACHMENT, end bit (Cast steel) (See NOTE 3)	22	710 423 C1	PIN, push arm(Used w/BLADE, 711 820 C91) (2)
15	619 561 C1	BIT, LH end	23	711 517 C1	RETAINER, pin(Used w/BLADE, 711 820 C91) (2)
16	619 562 C1	BIT, RH end		NOTE 3:	Field Application - Order through Regular Parts Channels.
17	608 073 C91	BRACKET, RH push arm(Used w/ BLADE, 700 861 C92)			

BULLGRADER STABILIZERS



IPA-67471

4	109 461	FITTING, lubrication (4)
5	315 182 R2	BODY, upper strut (2)
6	323 647 R1	BAR, lock (2)
7	315 180 R11	EYEBOLT w/BUSHING, 290 290 R2, upper strut, front (2)
8	M 73 125	TUBE, strut locking pin (1 x 3/8" long) (4)
9	290 290 R2	BUSHING, strut eyebolt (2)
10	293 001 R11	EYEBOLT w/BUSHING, 290 290 R2, lower strut (2)
	102 639	NUT (4)
	271 563	SCREW, hex-hd cap (4)
11	315 475 R92	STRUT ASSEMBLY, lower LH
11	315 476 R92	STRUT ASSEMBLY, lower RH
12	290 283 R2	NUT, lower strut (2)
13	323 642 R11	RETAINER, strut lock (2)
14	290 532 R2	BODY, lower strut (2)
15	290 284 R1	TRUNNION (2)
16	290 285 R1	PIN, trunnion swivel (2)
17	315 445 R91	BRACKET, lower strut LH
17	315 446 R91	BRACKET, lower strut RH
18	19 643 R1	PIN, trunnion (2)
19	290 287 R2	CHAIN, trunnion (2)
20	315 103 R1	PIN, upper strut rear (2)
	9 412 230	NUT, lock (2)
	275 635 R1	SCREW, hex-hd cap (2)

MOUNTED EQUIPMENT

REF. NO.	PART NUMBER	DESCRIPTION	REF. NO.	PART NUMBER	DESCRIPTION
----------	-------------	-------------	----------	-------------	-------------

BLADE CONVERSION ATTACHMENTS

647 935 C91 ATTACHMENT, blade conversion, straight to semi-"U" (See NOTE 2)(+)
 (Consists of -
 1 ARM 608 097 C91
 1 ARM 608 098 C91
 § 1 BLADE
 2 PIN 309 789 R2
 6 PIN 315 506 R1
 8 SHIM 320 764 R1
 § 4 STRUT)

647 936 C91 ATTACHMENT, blade-conversion, semi-"U" or grader to straight blade (See NOTE 2)(+)
 (Consists of -
 1 ARM 333 289 R91
 1 ARM 332 290 R91
 1 BLADE 704 021 C92
 2 PIN 309 789 R2
 4 PIN 315 103 R1
 2 PIN 315 506 R1
 8 SHIM 320 764 R1
 § 4 STRUT)

647 937 C92 ATTACHMENT, blade conversion straight or semi-"U" to grader (See NOTE 2)(+)
 (Consists of -
 1 BLADE 320 744 R93
 4 CLEVIS 319 452 R1
 1 FRAME 620 949 C91
 2 PIN 315 103 R1
 4 PIN 319 453 R1
 4 PIN 319 454 R1
 1 PIN 600 671 C1
 § 4 STRUT

For machines equipped with lift CYLINDER, 704 018 C91, use the following -
 1 TUBE 608 352 C91
 1 TUBE 608 353 C91
 1 TUBE 623 160 C1
 1 TUBE 623 161 C1

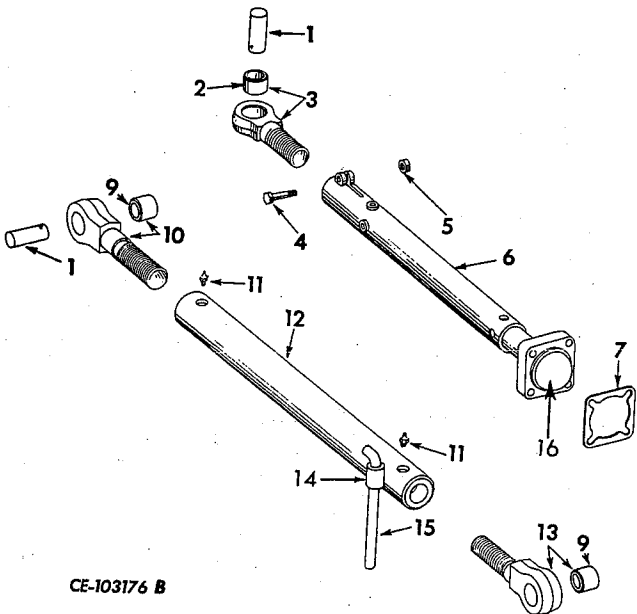
For machines equipped with lift CYLINDER, 658 501 C91, use the following -
 1 TUBE 632 333 C91
 1 TUBE 632 334 C91
 1 TUBE 632 335 C91
 1 TUBE 632 336 C91)

(+)- Not For Low Ground Pressure.
 § - Not Furnished Separately.

NOTE 2: Field Application - Order on Machine Order Form.

MOUNTED EQUIPMENT

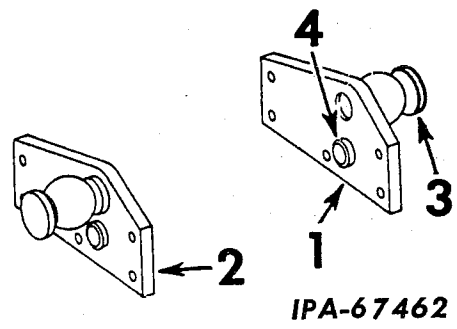
REF. NO.	PART NUMBER	DESCRIPTION	REF. NO.	PART NUMBER	DESCRIPTION
BULLDOZER STABILIZERS					
			7	320 764 R1	SHIM, diagonal strut (10)
				24 891 R1	SCREW, hex-hd cap (8)
				25 538 R1	WASHER, hardened (8)
			9	290 290 R2	BUSHING, upper strut eyebolt (4)
			10	309 907 R11	EYEBOLT w/BUSHING, 290 290 R2, upper strut rear (2)
			11	109 461	FITTING, lubrication (4)
			12	315 176 R11	STRUT, upper (2 for A)
			12	608 100 C11	STRUT, upper (2 for B and C)
			13	315 180 R11	EYEBOLT w/BUSHING, 290 290 R2, upper strut front (2)
			14	M 73 125	TUBE, upper strut locking pin (1 x 3/8" long) (2)
			15	315 177 R1	PIN, upper strut locking (2)
			16	605 632 C2	BALL, diagonal strut (2)
					(+) - Not For Low Ground Pressure.



CE-103176 B

A		STRUT, bulldozer blade (Not for Semi-"U") (+)
B		STRUT, bulldozer blade (For Semi-"U") (+)
C		STRUT, bulldozer blade (Not for Semi-"U") (For Low Ground Pressure)
1	315 103 R1 9 412 230 25 285 R1	PIN, rear strut bracket (2 for A) NUT, lock (2) SCREW, hex-hd cap (2)
1	315 103 R1 9 412 230 25 285 R1	PIN, diagonal strut rear (2 for A) NUT, lock (2) SCREW, hex-hd cap (2)
1	315 506 R1 9 412 230 25 285 R1	PIN, upper strut (2 for B and C) NUT, lock (2) SCREW, hex-hd cap (2)
1	315 506 R1 9 412 230 25 285 R1	PIN, diagonal strut (2 for B and C) NUT, lock (2) SCREW, hex-hd cap (2)
2	290 290 R2	BUSHING, diagonal strut eyebolt (2)
3	293 001 R11	EYEBOLT w/BUSHING, 290 290 R2, diagonal strut (2)
4	25 340 R1	SCREW, hex-hd cap (2)
5	9 412 231	NUT, stover lock (2)
6	320 761 R13	STRUT, diagonal (2 for A)
6	320 877 R11	STRUT, diagonal (2 for B)
6	711 572 C1	STRUT, diagonal (2 for C)

TRUNNIONS

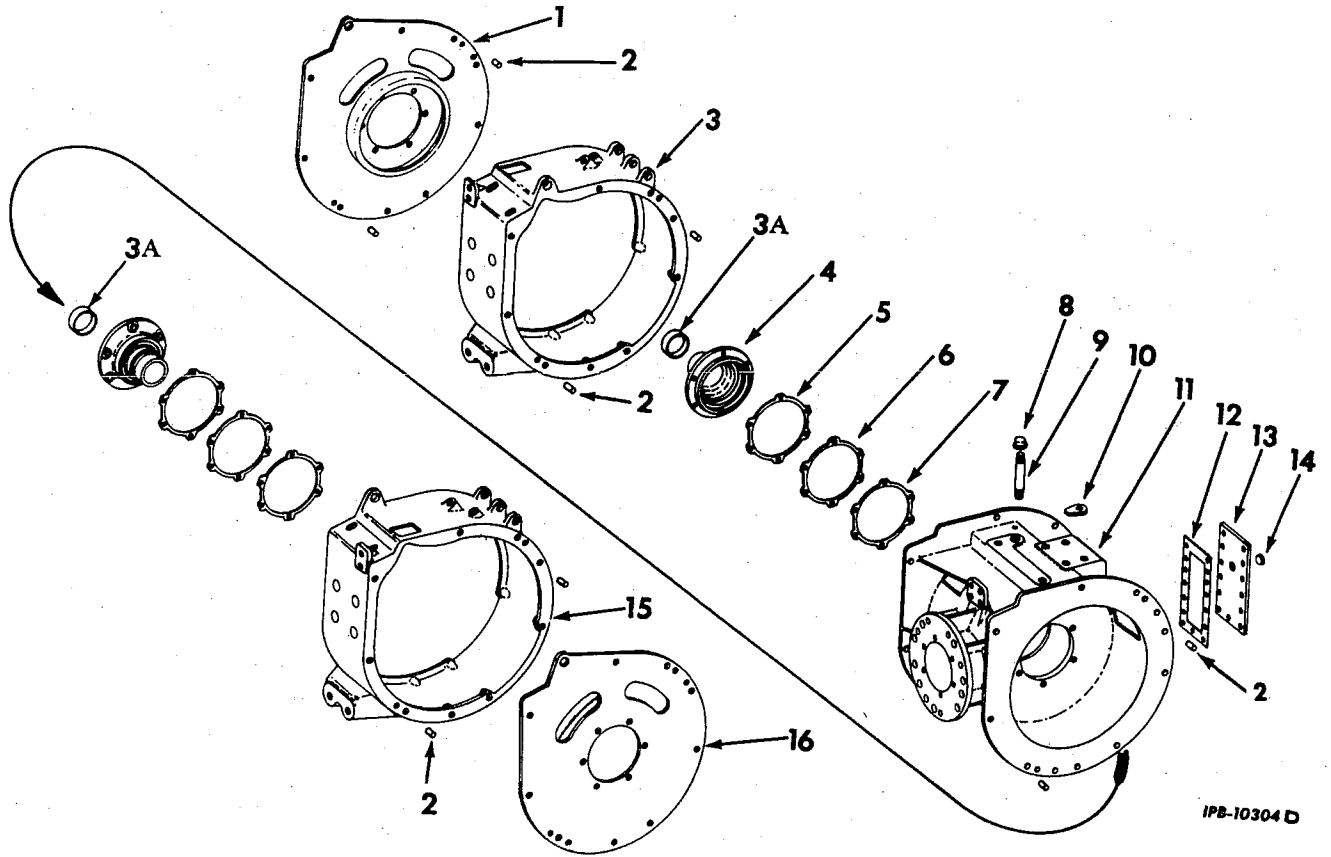


1	701 655 C93	TRUNNION, 294 552 R3, w/PILOT, 294 555 R1 (LH) (+)
	25 738 R1	SCREW, hex-hd cap (5)
2	701 656 C91	TRUNNION, 294 552 R1 w/PILOT, 294 555 R1, (RH) (+)
	25 738 R1	SCREW, hex-hd cap (5)
3	294 552 R3	TRUNNION (2) (+)
3	711 553 C92	TRUNNION (2) (For Low Ground Pressure)
	25 777 R1	BOLT (16)
	25 540 R1	WASHER (16)
4	294 555 R1	PILOT, trunnion (2) (+)
		(+) - Not for Low Ground Pressure

MOUNTED EQUIPMENT

REF. NO.	PART NUMBER	DESCRIPTION	REF. NO.	PART NUMBER	DESCRIPTION
----------	-------------	-------------	----------	-------------	-------------

15-260 REAR CABLE CONTROL UNIT HOUSING



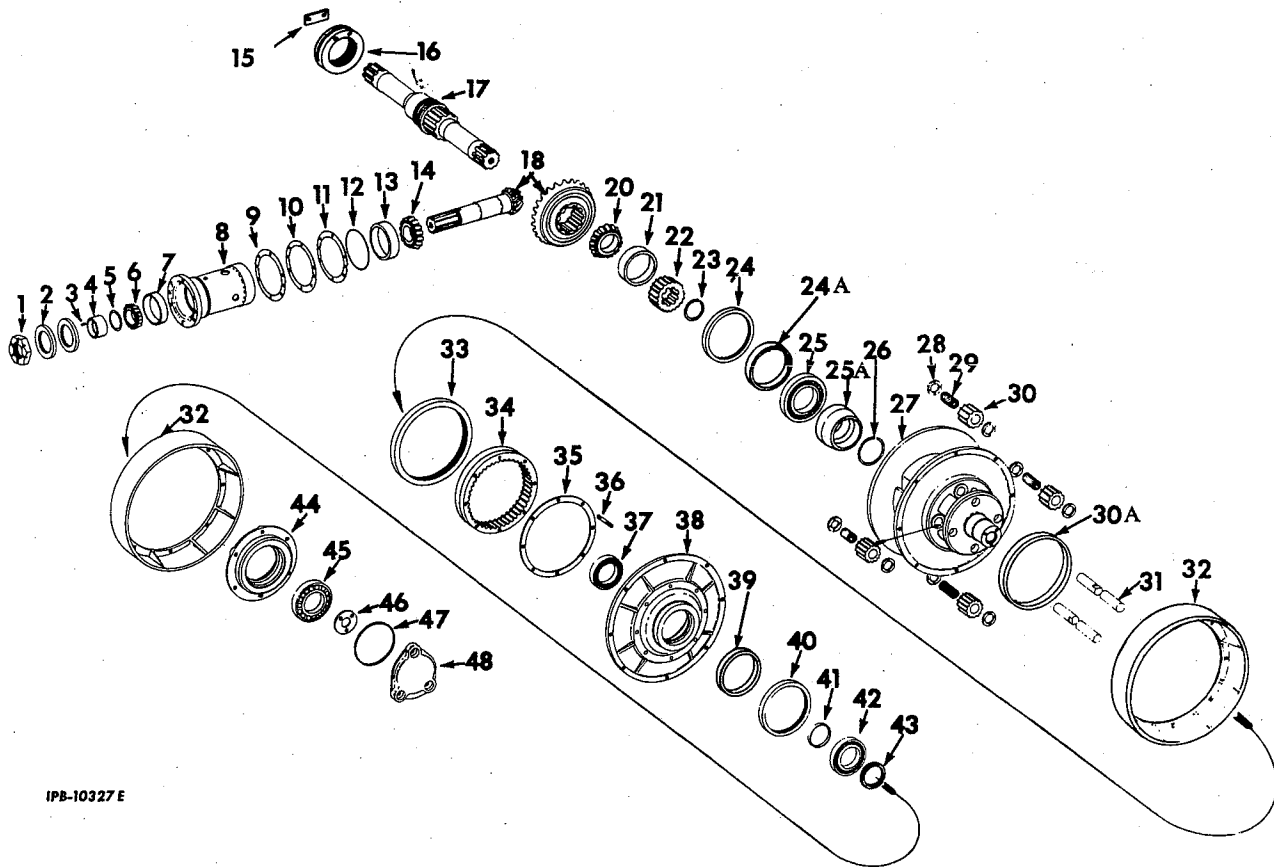
IPB-10304 D

1	701 803 C1 271 554 271 556	SUPPORT w/RING, RH outboard bearing SCREW, 5/8 x 1" hex-hd cap (4) SCREW, 5/8 x 1-1/4" hex-hd cap (5)	10	286 556 R1 179 843	WEDGE, cable (Spare) (6) SCREW, hex-hd cap (2)
2	286 958 R1	PIN, dowel outer housing (8)	11	298 552 R3 271 556	HOUSING, main SCREW, hex-hd cap (14)
3	297 787 R2	HOUSING, RH outer	12	297 781 R1	GASKET, main housing access cover
3A	307 833 R1	SLEEVE, oil seal wear (2)	13	297 780 R1 179 839 103 321	COVER, main housing access SCREW, hex-hd cap (13) WASHER, lock (13)
4	326 450 R11 25 125 D 120 378	QUILL w/SLEEVE, 307 833 R1, drum (2) STUD, drum quill (12) NUT (12)	14	9 409 949	PLUG, csk-hd pipe (stl)
5	286 355 R1	SHIM, drum quill (.005") (6 or as required)	15	297 786 R2	HOUSING, LH outer
6	286 356 R1	SHIM, drum quill (.007") (6 or as required)	16	611 740 C11 271 554 271 556	SUPPORT w/RING, LH outboard bearing SCREW, hex-hd cap (6) SCREW, hex-hd cap (7)
7	286 357 R1	SHIM, drum quill (.020") (2 or as required)		308 701 R1	RING, inner collector (2)
8	108 689	CAP, pipe			WIRE, filler pipe breather hole locking (Order 278 027 R1)
9	297 782 R1	PIPE, filler		278 027 R1	WIRE, bulk lock (No. 16 ga.) (.0625") (Customer must specify amount required)

MOUNTED EQUIPMENT

REF. NO.	PART NUMBER	DESCRIPTION	REF. NO.	PART NUMBER	DESCRIPTION
----------	-------------	-------------	----------	-------------	-------------

15-260 REAR CABLE CONTROL UNIT TRANSMISSION



IPB-10327 E

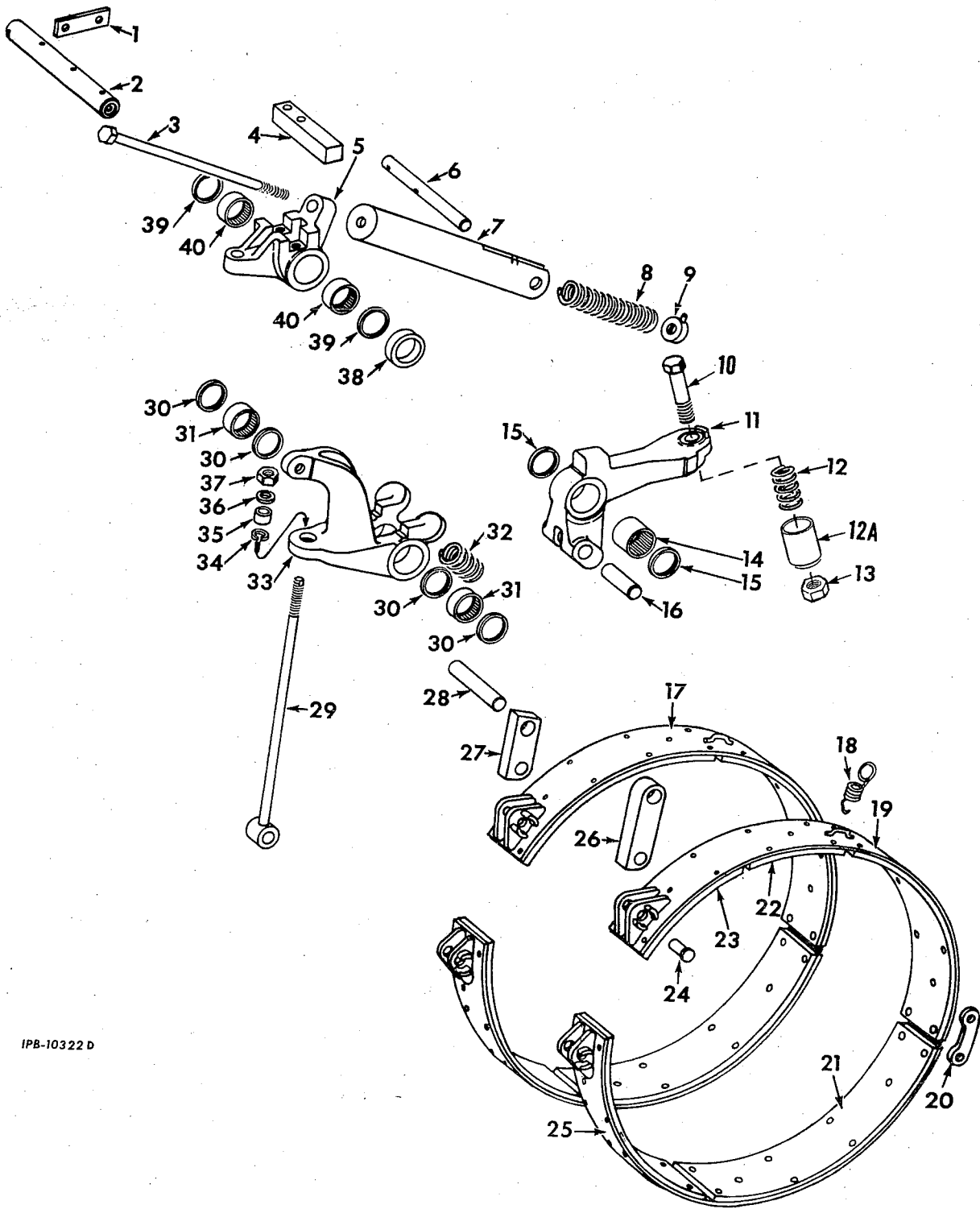
1	37 608 H 103 413	NUT, spiral bevel pinion lock PIN, cotter	11	286 338 R1	SHIM, pinion cage (.020") (2 or as required)
2	338 904 R91	OIL SEAL, spiral bevel pinion (2)	12	297 801 R1	GASKET, pinion cage
3	297 806 R1	KEY, spiral bevel pinion oil seal sleeve	13	107 577 R1	CUP, rear spiral bevel pinion tapered roller bearing
4	297 804 R2	SLEEVE, spiral bevel pinion oil seal	14	107 576 R91	CONE, rear spiral bevel pinion tapered roller bearing
5	297 805 R1	GASKET, spiral bevel pinion oil seal sleeve	15	331 774 R1 179 881	PLATE, lock SCREW, hex-hd cap (2)
6	298 194 R91	CONE, front spiral bevel pinion tapered roller bearing	16	311 731 R1	NUT, lock
7	170 254 R1	CUP, front spiral bevel pinion tapered roller bearing	17	311 728 R1	SHAFT, spiral bevel gear
8	333 402 R1 179 840 103 321	CAGE, pinion SCREW, hex-hd cap (6) WASHER, lock (6)	18	333 403 R92	SHAFT, bevel pinion (Matched set)
9	286 336 R1	SHIM, pinion cage (.005") (6 or as required)	20	298 197 R91	CONE, spiral bevel gear shaft tapered roller bearing (2)
10	286 337 R1	SHIM, pinion cage (.007") (6 or as required)	21	13 390 D	CUP, spiral bevel gear shaft tapered roller bearing (2)
			22	286 361 R1	GEAR, sun (20-T) (2)

MOUNTED EQUIPMENT

REF. NO.	PART NUMBER	DESCRIPTION	REF. NO.	PART NUMBER	DESCRIPTION
15-260 REAR CABLE CONTROL UNIT — Continued TRANSMISSION					
			46	297 816 R2	RETAINER, brake drum hub bearing (2)
23	297 811 R1	RING, sun gear snap (2)		179 839	SCREW, hex-hd cap (6)
				103 321	WASHER, lock (6)
24		OIL SEAL (Order PACKAGE, 323 656 R91)	47	297 820 R1	GASKET, end cover (2)
24A	307 833 R1	SLEEVE, oil seal wear (2)	48	8 232 DB	COVER, end (2)
				179 881	SCREW, hex-hd cap (6)
25	298 190 R91	BEARING, cable drum cylindrical roller (2)		324 739 R91	BEARING, planetary housing (Consists of Ref. Nos. 37, 41 and 42) (2)
25A	326 451 R1	BLOCK, guide (2)		311 524 R1	GASKET, cable drum (2)
26	324 738 R1	RING, cable drum bearing snap (2)		323 656 R91	PACKAGE, oil seal and wear sleeve service (Consists of OIL SEAL and SLEEVE, 307 833 R1) (x)
27	326 306 R11	DRUM w/SLEEVE, 307 832 R1, cable (2)		323 657 R91	PACKAGE, oil seal and wear sleeve service (Consists of OIL SEAL and SLEEVE, 307 832 R1) (x)
28	286 514 R1	WASHER, planet pinion gear thrust (16)		308 782 R1	SHIM, outer bearing retainer (.020") (2 or as required)
29	74 348 R91	BEARING, planet pinion gear journal roller (8)		308 783 R1	SHIM, outer bearing retainer (.007") (6 or as required)
30	286 513 R1	GEAR, planet pinion (8)		308 784 R1	SHIM, outer bearing retainer (.005") (6 or as required)
30A	307 832 R1	SLEEVE, oil seal wear (2)		311 627 R1	SHIM, roller bearing (.005") (x)
31	286 515 R1	SHAFT, planet pinion gear (8)		311 628 R1	SHIM, roller bearing (.007") (x)
	600 584 C1	PIN, cotter (8)			
32	297 813 R1	DRUM, brake (4)			
	179 882	SCREW, hex-hd cap (32)			
33		OIL SEAL (Order PACKAGE, 323 657 R91)			
34	286 981 R1	GEAR, ring (2)			
35	286 521 R1	GASKET, ring gear (2)			
36	286 520 R1	STUD, NF ring head (16)			
	17 234 R1	NUT, NF elastic stop (16)			
37		BEARING, planetary housing inner (Order, 324 739 R91) (2)			
38	326 307 R11	HOUSING w/SLEEVE, 307 833 R1, planetary (2)			
39	307 833 R1	SLEEVE, oil seal wear (2)			
40		OIL SEAL (Order PACKAGE, 323 656 R91)			
41		SPACER, planetary housing bearing (Order 324 739 R91) (2)			
42		BEARING, planetary housing outer (Order 324 739 R91) (2)			
43	326 308 R1	SPACER, brake drum hub bearing (2)			
44	297 814 R2	HUB, brake drum (2)			(x) - As Required.
45	ST 274	BEARING, brake drum hub (2)			

MOUNTED EQUIPMENT

15-260 REAR CABLE CONTROL UNIT OPERATING LEVERS AND BRAKE BAND



IPB-10322 D

MOUNTED EQUIPMENT

REF. NO.	PART NUMBER	DESCRIPTION	REF. NO.	PART NUMBER	DESCRIPTION
15-260 REAR CABLE CONTROL UNIT OPERATING LEVERS AND BRAKE BAND – Continued			19	299 516 R92	BAND w/LINING, 297 704 R1, LINING, 299 714 R1, LINING, 299 715 R1 and twenty RIVET, 21 407 H, RH clutch (Upper) (Not for heavy duty lining arrangement)
1	298 273 R1 179 814 103 320	PLATE, operating lever shaft lock (2) SCREW, hex-hd cap (4) WASHER, lock (4)	19	611 644 C91	BAND w/three LINING, 323 562 R1, LINING, 299 714 R1 and twenty RIVET, 21 407 H, LH clutch (Upper) (For heavy duty lining arrangement) (*)
2	297 719 R1	SHAFT, operating lever (2)	19	611 646 C91	BAND w/three LINING, 323 562 R1, LINING, 299 714 R1 and twenty RIVET, 21 407 H, RH clutch (Upper) (For heavy duty lining arrangement) (*)
3	297 721 R1	SCREW, brake adjusting (2)	20	297 706 R1	LINK, brake band connecting (4)
4	297 716 R1 179 885	BAR, brake lever (2) SCREW, hex-hd cap (4)	21	297 704 R1	LINING, brake and clutch (2 used with BAND ASSY., 297 705 R92, 1 used with BAND ASSY., 298 926 R92 and 299 516 R92)
5	297 715 R2	LEVER, brake (2)		21 407 H	RIVET (70)
6	297 723 R1 103 408	PIN, brake spring housing PIN, cotter (4)	22	299 715 R1	LINING, clutch (1 used with BAND ASSY., 298 926 R92 and 299 516 R92)
7	297 720 R11	HOUSING, brake spring (2)		21 407 H	RIVET, 3/16 x 7/16" (5)
8	287 015 R2	SPRING, brake (2)	22	323 562 R1	LINING, brake and clutch (15 used with ATTACHMENT, 323 560 R91 4 used with BAND ASSY., 611 643 C91, 3 used with BAND ASSY., 611 644 C91 and 611 646 C91)
9	297 722 R11	BLOCK w/DOWEL, brake spring guide end (2)		21 407 H	RIVET, 3/16 x 7/16" (90 used with ATTACHMENT, 323 560 R91, 20 used with BAND ASSY., 611 643 C91, 611 644 C91 and 611 646 C91)
10	271 570	SCREW, hex-hd cap (Brake release lever) (2)	23	299 714 R1 21 407 H	LINING, metallic clutch (2) RIVET, 3/16 x 7/16" (5)
11	297 718 R1 265 923 R1	LEVER, brake release (2) PIN, roll	23	299 714 R1 21 407 H	LINING, metallic (Part of ATTACHMENT, 323 560 R91) RIVET (5)
12	287 020 R1 103 345	SPRING, brake release lever (2) WASHER, flat (2)	24	297 707 R1	PIN, brake bank connecting link (8) PIN, cotter (8)
12A	623 485 C1	STOP, brake release lever	24	297 707 R1	PIN, brake anchor lower (2) PIN, cotter (2)
13	114 507	NUT, jam (2)	24	297 707 R1	PIN, clutch anchor lower (2) PIN, cotter (2)
14	914 455 R91	BEARING, brake release lever needle (2)	24	297 707 R1 103 388	PIN, tension rod lower (4) PIN, cotter (4)
15	287 058 R91	OIL SEAL, brake release lever bearing (4)			
16	297 709 R1	PIN, clutch anchor upper (2)			
17	297 705 R92	BAND w/two LINING, 297 704 R1 and twenty RIVET, 21 407 H, brake (Not for heavy duty lining arrangement) (4)			
17	611 643 C91	BAND w/four LINING, 323 562 R1 and twenty RIVET, 21 407 H, brake (For heavy duty lining arrangement) (*) (4)			
18	309 944 R1	SPRING, extension (4)			
19	298 926 R92	BAND w/LINING, 297 704 R1, LINING, 299 714 R1, LINING, 299 715 R1 and twenty RIVET, 21 407 H, LH clutch (upper) (Not for heavy duty lining arrangement)			

(*) - Not used when fine grading is the major application of machine.

MOUNTED EQUIPMENT

REF. NO.	PART NUMBER	DESCRIPTION	REF. NO.	PART NUMBER	DESCRIPTION
15-260 REAR CABLE CONTROL UNIT OPERATING LEVERS AND BRAKE BAND — Continued					
25	297 705 R92	BAND w/two LINING, 297 704 R1 and twenty RIVET, 21 407 H, clutch (Lower) (Not for heavy duty lining arrangement) (2)			
25	611 643 C91	BAND w/four LINING, 323 562 R1 and twenty RIVET, 21 407 H clutch (Lower) (For heavy duty lining arrangement) (*) (2)			
26	297 708 R2	PAWL, clutch anchor (2)			
27	297 710 R2	PAWL, brake anchor (2)			
28	297 711 R1	PIN, brake anchor upper (2)			
29	297 712 R2	ROD, tension (4)			
30	287 058 R91	OIL SEAL, clutch lever bearing (8)			
31	298 175 R91	BEARING, clutch lever needle (4)			
32	287 009 R1	SPRING, clutch (2)			
33	297 717 R1	LEVER, clutch (2)			
34	238 627 R1	RING, clutch lever bushing snap (2)			
35	298 098 R91	BUSHING, clutch lever self-aligning (2)			
35	298 098 R91	BUSHING, brake lever self-aligning (4)			
36	297 714 R1	SPACER, tension rod (6)			
37	454 522 R1	NUT, elastic stop (4)			
38	298 274 R1	SPACER, brake lever (2)			
39	287 058 R91	OIL SEAL, brake lever bearing (4)			
40	298 175 R91	BEARING, brake lever needle (4)			
	323 560 R91	ATTACHMENT, heavy duty lining (Consists of fifteen LINING, 323 562 R1, LINING, 299 714 R1 and ninety RIVET, 21 407 H) (For one side of 15-260 rear cable control drum) (See NOTE 3)			
	114 505	NUT, jam (4)			
	445 671	PLUG, sq-hd pipe (2)			
	138 806	SCREW, hex-soc ov-pt set (4)			

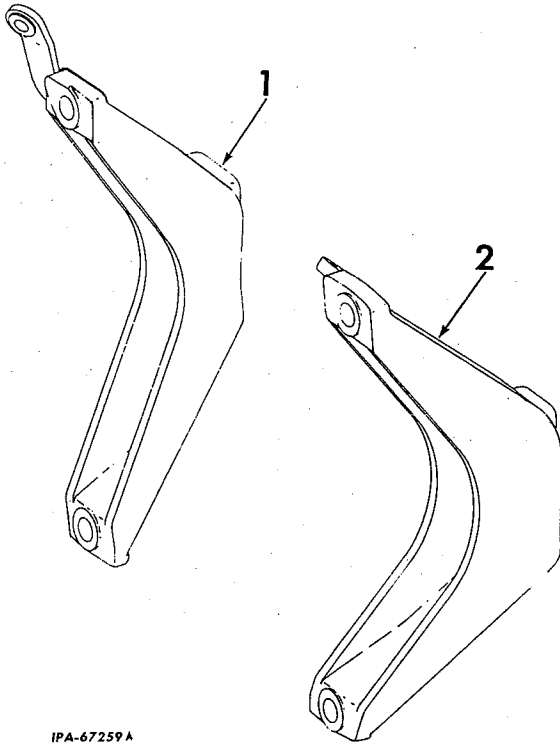
(*) - Not used when fine grading is the major application of the machine.

NOTE 3: Field Application - Order through Regular Parts channels.

MOUNTED EQUIPMENT

REF. NO.	PART NUMBER	DESCRIPTION	REF. NO.	PART NUMBER	DESCRIPTION
----------	-------------	-------------	----------	-------------	-------------

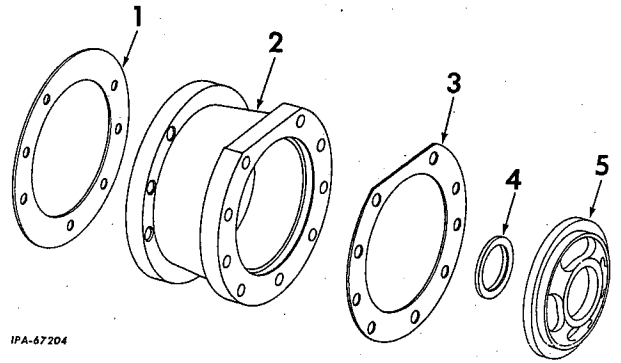
15-260 REAR CABLE CONTROL UNIT MOUNTING BRACKET



IPA-67259A

1	600 666 C1 271 652 274 185	BRACKET, LH mounting SCREW, 7/8" hex-hd cap (2) SCREW, 1-1/8" hex-hd cap (2)
2	335 961 R2 271 658 274 185	BRACKET, RH mounting SCREW, 7/8" hex-hd cap (2) SCREW, 1-1/8" hex-hd cap (2)

15-260 REAR CABLE CONTROL UNIT ADAPTER AND RELATED PARTS



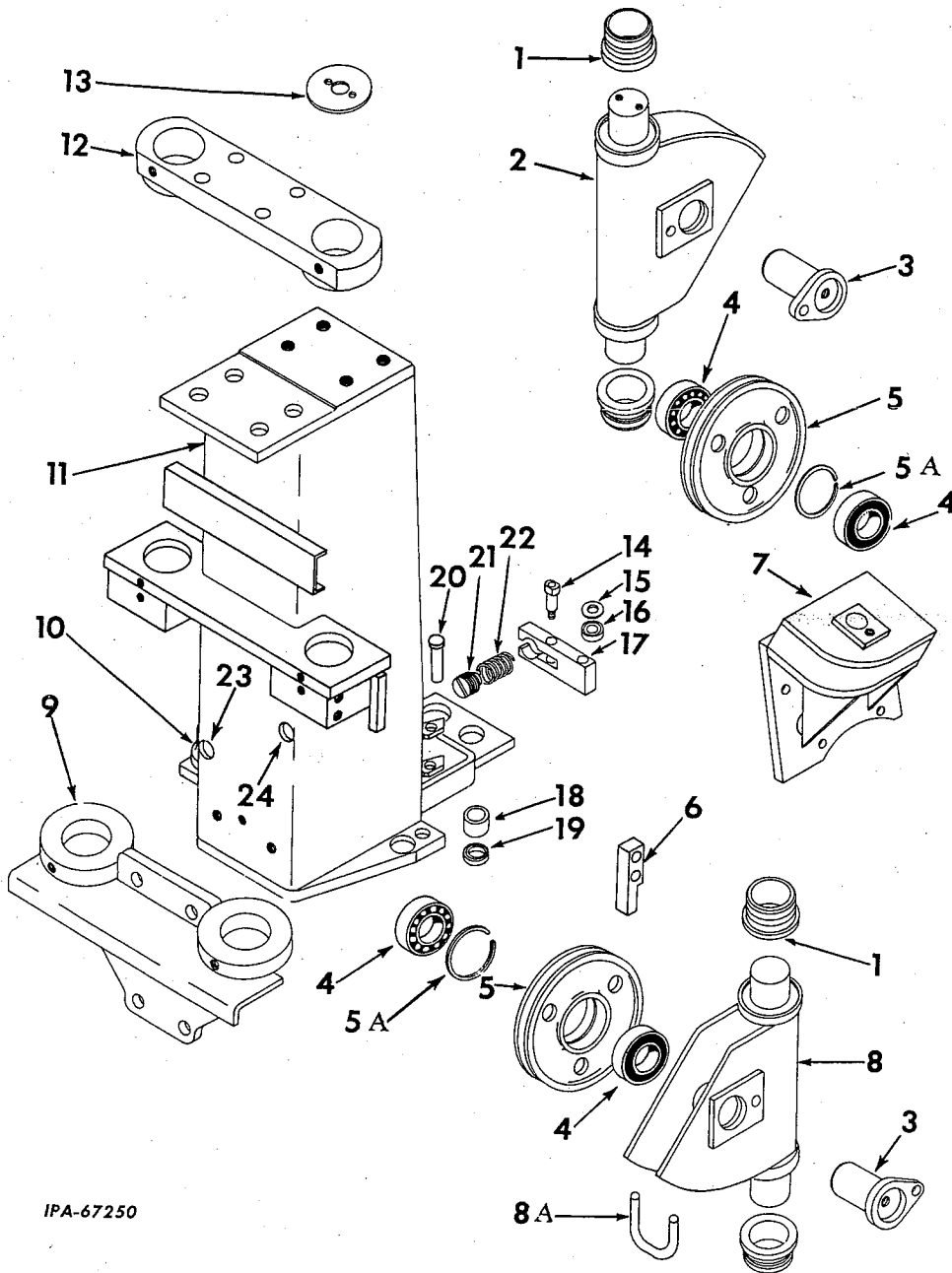
IPA-67204

1	286 442 R1	GASKET, adapter to gear case
2	335 959 R1 102 639 271 559 271 563	ADAPTER NUT (7) SCREW, 5/8 x 1-5/8" hex-hd cap (9) SCREW, 5/8 x 2-1/4" hex-hd cap (7)
3	325 429 R1	GASKET, adapter to tractor
4	286 450 R1	WASHER, thrust
5	286 449 R1	PLATE, centering

MOUNTED EQUIPMENT

REF. NO.	PART NUMBER	DESCRIPTION	REF. NO.	PART NUMBER	DESCRIPTION
----------	-------------	-------------	----------	-------------	-------------

15-260 REAR CABLE CONTROL UNIT FAIRLEAD



IPA-67250

1	286 385 R1	BUSHING, fairlead frame (8)	6	326 122 R1 271 562	STOP, lower movable sheave SCREW, hex-hd cap (2)
2	308 770 R91	FRAME, upper fairlead (2)	7	333 413 R91 271 560	HOUSING, side sheave SCREW, hex-hd cap (4)
3	289 273 R11 271 554	SHAFT, fairlead sheave (4) SCREW, hex-hd cap (4)	8	308 769 R91	FRAME w/STIFFENER, 308 802 R2, lower fairlead (2)
4	ST 596	BEARING, fairlead sheave (8)	8A	308 802 R2	STIFFENER, lower, fairlead frame (2)
5	294 866 R1	SHEAVE, fairlead (4)			
5A	290 358 R1	RING, sheave bearing retainer (4)			

MOUNTED EQUIPMENT

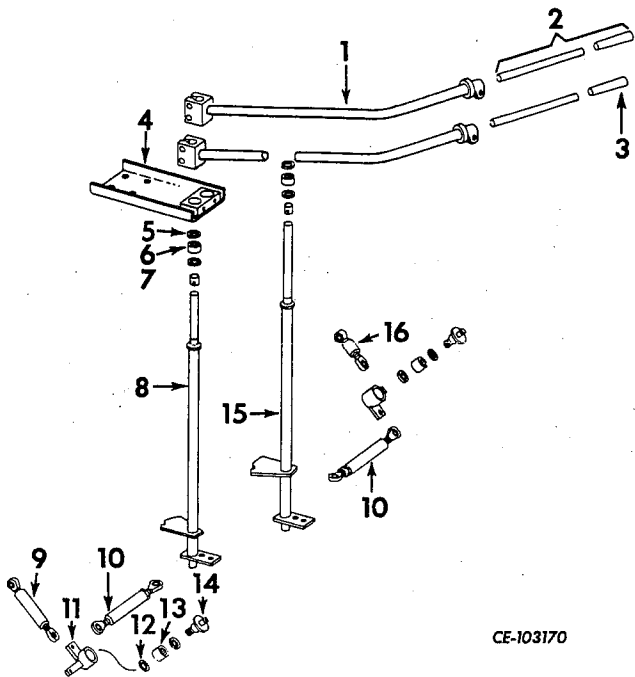
REF. NO.	PART NUMBER	DESCRIPTION	REF. NO.	PART NUMBER	DESCRIPTION
15-260 REAR CABLE CONTROL UNIT – Continued					
FAIRLEAD					
9	308 765 R11	SUPPORT, tower lower bearing			
	220 081	NUT (2)			
	271 611	SCREW, hex-hd cap (4)			
10	286 552 R91	CUTTER, cable (Refer to "Cable Cutter")			
11	620 720 C91	TOWER w/CUTTER, 286 552 R91, side and fairlead sheave			
	271 611	SCREW, hex-hd cap (4)			
12	308 764 R11	SUPPORT, tower upper bearing			
	220 081	NUT (4)			
	271 614	SCREW, hex-hd cap (4)			
13	286 464 R1	SHIELD, fairlead frame bushing dust (2)			
	179 791	SCREW, hex-hd cap (4)			
	103 319	WASHER, lock (4)			
14	308 762 R1	SHAFT, tower tiller lockout follower (2)			
	102 635	NUT (2)			
	103 321	WASHER, lock (2)			
15	308 761 R1	WASHER, tower tiller lockout follower thrust (4)			
16	309 059 R91	BEARING, tower tiller lockout roller follower (2)			
17	308 760 R1	FOLLOWER, tower tiller lockout spring (2)			
18	298 175 R91	BEARING, tower tiller support needle (2)			
19	287 058 R91	OIL SEAL, tower tiller support bearing (4)			
20	309 749 R1	PIN, end (2)			
	108 630	PIN, cotter (2)			
21	308 763 R1	ADJUSTMENT, tower tiller lockout spring (2)			
22	287 009 R1	SPRING, tower tiller lockout (2)			
23		(Screw adjustment hole)			
24		(Screw adjustment hole)			
	109 461	FITTING, lubrication, 1/8" (12)			
	109 462	FITTING, lubrication (2)			

MOUNTED EQUIPMENT

REF. NO.	PART NUMBER	DESCRIPTION
----------	-------------	-------------

REF. NO.	PART NUMBER	DESCRIPTION
----------	-------------	-------------

15-260 REAR CABLE CONTROL UNIT CABLE OPERATING CONTROLS



CE-103170

1	342 491 R11 102 639 271 564	LEVER, tower tiller (2) NUT (4) SCREW, hex-hd cap (4)
2	293 808 R91 179 883 103 323	HANDLE w/GRIP, 619 405 C1, tower tiller lever (2) SCREW, hex-hd cap (2) WASHER, heavy lock (pln) (2)
3	619 405 C1	GRIP, tower tiller lever handle (2)
4	308 807 R11 271 556	SUPPORT, tower tiller upper SCREW, hex-hd cap (4)
5	287 058 R91	OIL SEAL, tower tiller upper bearing oil (4)
6	298 175 R91	BEARING, tower tiller upper (2)
7	308 813 R1	RACE, tower tiller post inner (4)
8	308 810 R12	POST w/two RACE, 308 813 R1, tower tiller bowl
9	308 820 R91 103 028 181 431 181 433	LINK, control, long NUT, NF (2) SCREW, 1/2"NF x 1-1/2" hex-hd cap SCREW, 1/2"NF x 1-3/4" hex-hd cap

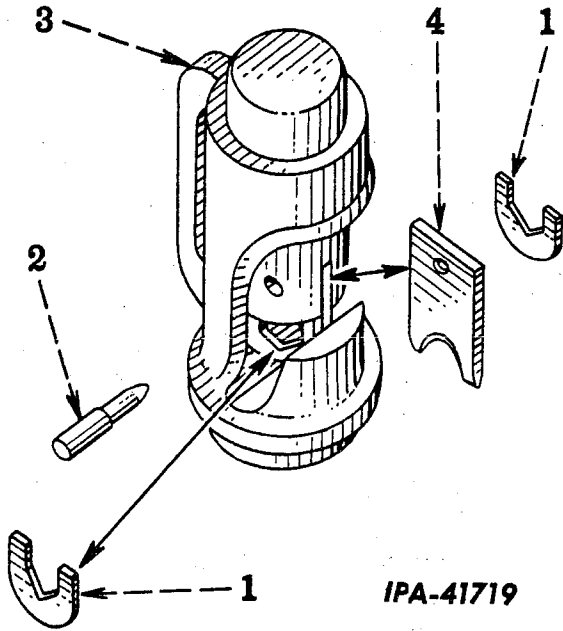
10	308 822 R91 103 028 181 431	LINK, control adjustable (2) NUT, NF (4) SCREW, hex-hd cap (4)
11	308 815 R91	BELLCRANK, control link (2)
12	287 058 R91	OIL SEAL, control link bellcrank bearing (4)
13	914 455 R91	BEARING, control link bellcrank (2)
14	308 818 R11 218 443	BOLT, control link bellcrank (2) NUT, jam (2)
15	308 809 R12	POST w/two RACE, 308 813 R1, tower tiller - ejector
16	308 819 R91 103 028 181 433 181 431	LINK, control short NUT, NF (2) SCREW, 1/2"NF x 1-3/4" hex-hd cap SCREW, 1/2"NF x 1-1/2" hex-hd cap
	109 460	FITTING, lubrication (4)
	102 467 H	FITTING, straight lubrication (Optional with 110 146 R91) (4)
	110 146 R91	FITTING, straight lubrication (Optional with 102 467 H) (4)
	109 462	FITTING, lubrication (2)
	273 352	FITTING, lubrication (2)
	117 175	FITTING, lubrication (4)

MOUNTED EQUIPMENT

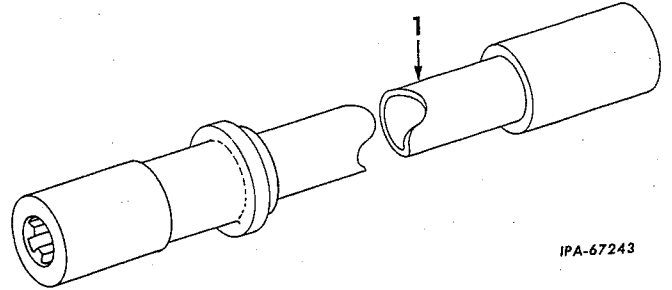
REF. NO.	PART NUMBER	DESCRIPTION	REF. NO.	PART NUMBER	DESCRIPTION
----------	-------------	-------------	----------	-------------	-------------

15-260 REAR CABLE CONTROL UNIT
CABLE CUTTER

15-260 REAR CABLE CONTROL UNIT
POWER TAKE-OFF SHAFT



IPA-41719



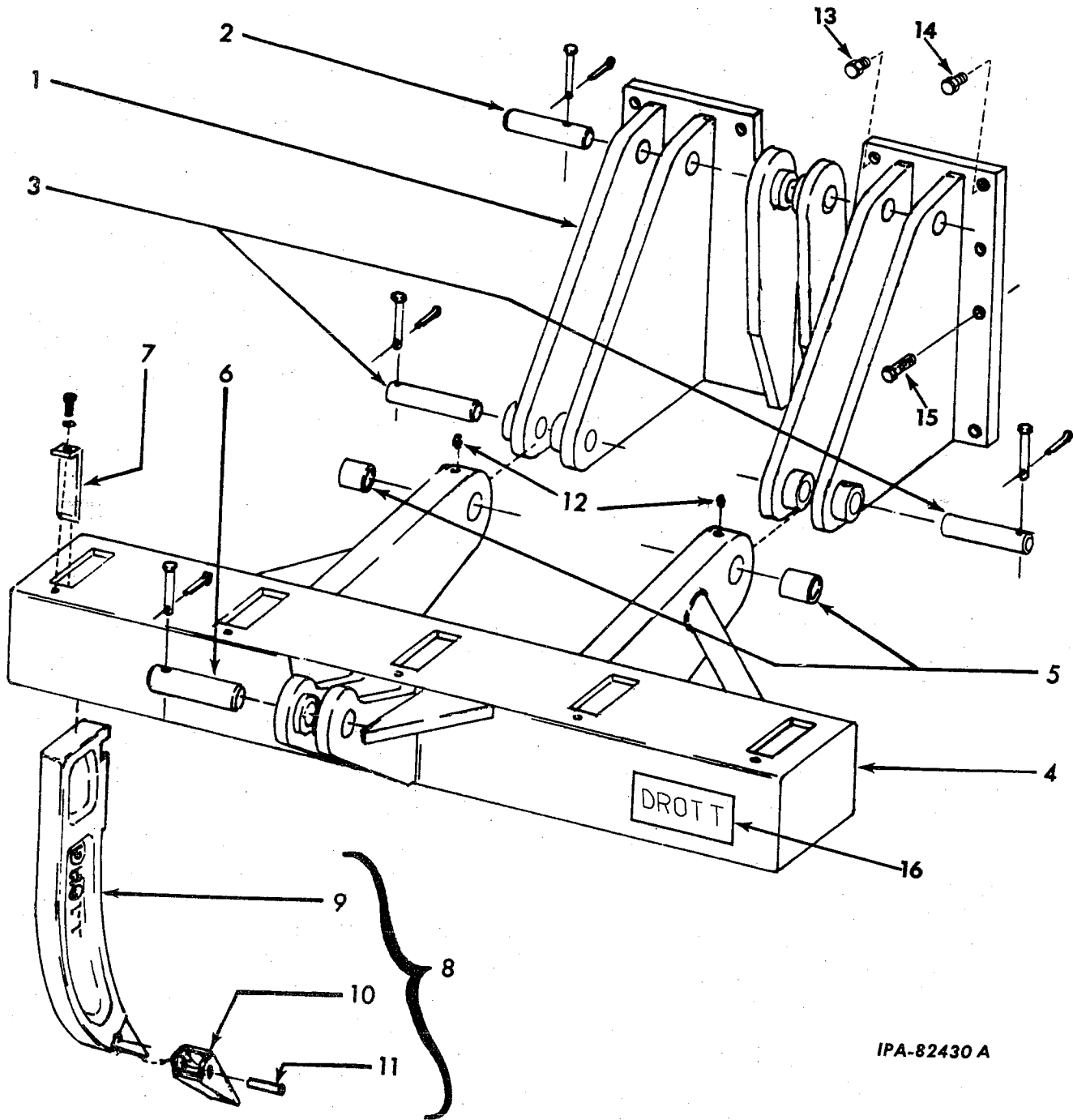
IPA-67243

1 333 425 R11 SHAFT, power take-off

1	289 203 R1	BLADE, bottom (2)	
2	289 204 R1	PIN, top cutting blade locking	
3	286 552 R91	CUTTER ASSEMBLY, cable (Composed of -	
		1 BLADE	289 202 R1
		2 BLADE	289 203 R1
		1 PIN	265 923 R1
		1 PIN	289 204 R1)
4	289 202 R1	BLADE, top cutting	
	265 923 R1	PIN, roll	

MOUNTED EQUIPMENT

SCARIFIER (Drott)



IPA-82430 A

MOUNTED EQUIPMENT

REF. NO.	PART NUMBER	DESCRIPTION	REF. NO.	PART NUMBER	DESCRIPTION
SCARIFIER — Continued (Drott) (See NOTE)					
1	52 461	HITCH, scarifier			
2	41 490 10 833 4 627	PIN, cylinder to hitch PIN, clevis PIN, cotter			
3	42 725 10 816 4 627	PIN, hitch to frame (2) PIN, clevis (2) PIN, cotter (2)			
4	52 462	FRAME, scarifier (Includes 2 of Ref. No. 5)			
5	41 460	BUSHING, frame (2)			
6	41 777 10 833	PIN, cylinder to frame PIN, clevis			
7	63 018 2 137	LOCK, tooth to frame (3) SCREW, NF cap (3)			
8	200 961	TOOTH, scarifier (Consists of Ref. No. 9 through 11) (3)			
9	33 065	SHANK, tooth (3)			
10	160 161 H1	TIP, replaceable (3)			
11	7 895	PIN, roll (3)			
12	12 031	FITTING, lubrication (2)			
13	2 304	CAPSCREW, NF (2)			
14	2 649	CAPSCREW (4)			
15	2 622	CAPSCREW (8)			
16	23 893	"DROTT," nameplate (Welded on)			

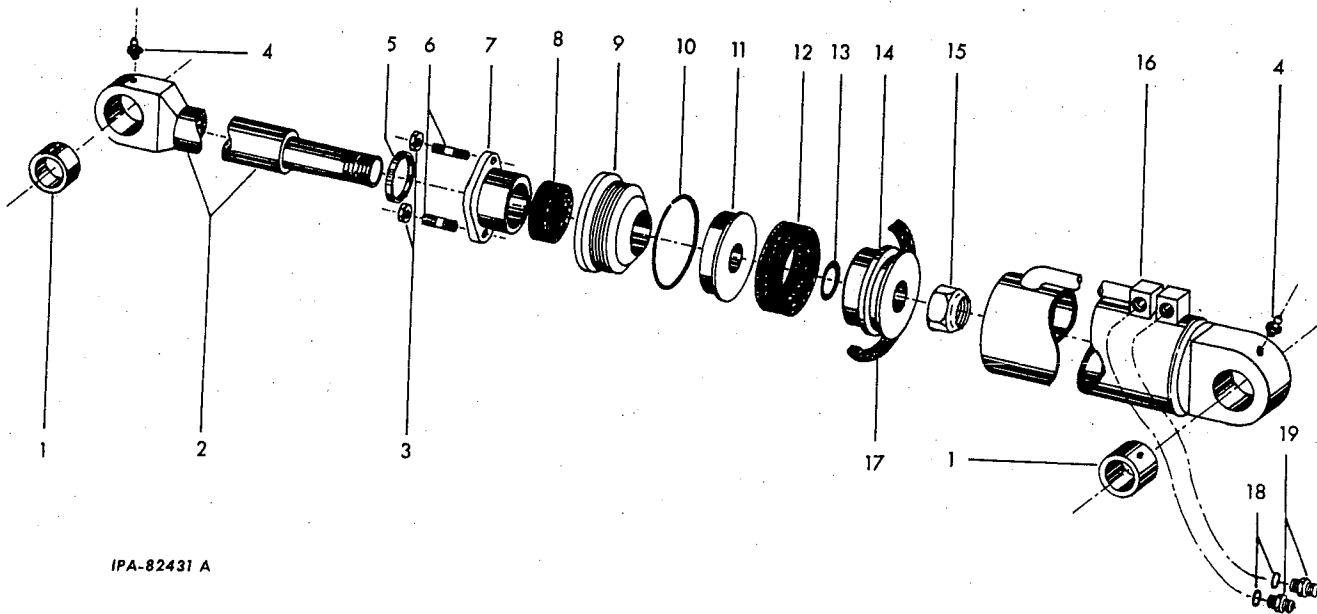
NOTE: DOMESTIC USE: Order Drott parts from Drott Manufacturing Corp., Wausau, Wisconsin, through your I.H. Pay Line Division Distributor.

OVERSEAS AFFILIATES AND DISTRIBUTORS - Order through your Parts Distribution Center.

MOUNTED EQUIPMENT

REF. NO.	PART NUMBER	DESCRIPTION	REF. NO.	PART NUMBER	DESCRIPTION
----------	-------------	-------------	----------	-------------	-------------

SCARIFIER CYLINDER (Drott)



IPA-82431 A

	33 445 M1	CYLINDER, scarifier (See NOTE) (Consists of Reference Nos. 1 thru 17)		10	6 022 "O" RING, 4-31/32"ID x 5-1/2"OD
				11	25 946 PISTON
1	20 045	BUSHING (2)	12	25 943 M1	"V" RING ASSY., cut
2	29 758	ROD, piston	13	5 811	"O" RING, 1-15/64"ID x 1-1/2"OD
3	17 155	NUT, self-locking, 1/2"NF (2)	14	28 302	PISTON w/"O" RING SEAT
4	12 031	FITTING, grease (2)	15	23 007	NUT, self-locking, 1-1/4"NF
5	22 940	RING, wiper	16	202 552	TUBE, cylinder
6	22 452	STUD, NF (2)	17	23 694 M1	RING, piston wear
7	28 213	FLANGE, packing	18	6 061	"O" RING, 41/64"ID x 59/64"OD (2)
8	28 514	PACKING, "V" ring	19	7 982	ADAPTER, straight male (2)
9	28 215 M1	HEAD, cylinder			

NOTE:

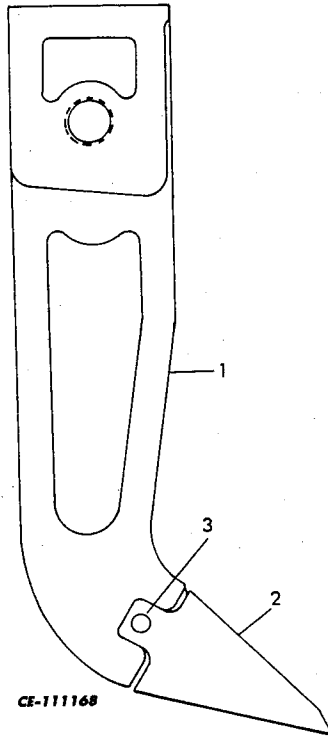
DOMESTIC USE: Order Drott Parts from Drott Manufacturing Corp., Wausau, Wisconsin, through your I.H. Pay Line Division Distributor.

OVERSEAS AFFILIATES AND DISTRIBUTORS: Order through your Parts Distribution Center.

MOUNTED EQUIPMENT

REF. NO.	PART NUMBER	DESCRIPTION	REF. NO.	PART NUMBER	DESCRIPTION
----------	-------------	-------------	----------	-------------	-------------

SHANK (Forged)
 (Used with Ripper Attachment and Shank Mounting Pin Attachment)

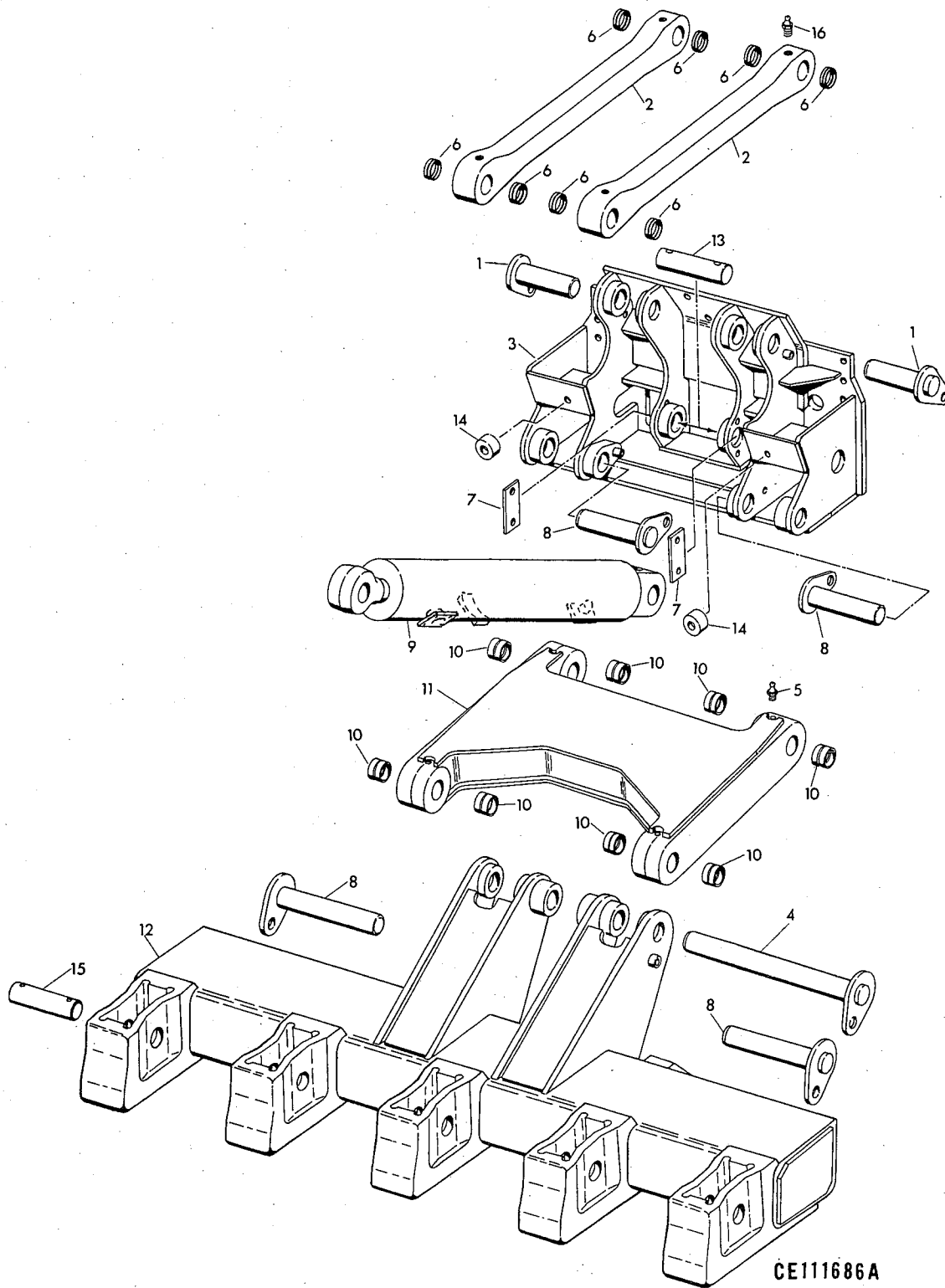


	635 335 C91	ATTACHMENT, ripper shank w/tip (Forged) (See NOTE 2)		
1	717 869 C91	SHANK w/tip ripper(Replaces, 710 182 C91) (Composed of— 1 PIN 710 185 C1 1 POINT 710 184 C2 s 1 SHANK)		
2	710 184 C2	POINT		
3	710 185 C1	PIN, flex		

NOTE 2: Field Application. Order on Machine Order Form.

MOUNTED EQUIPMENT

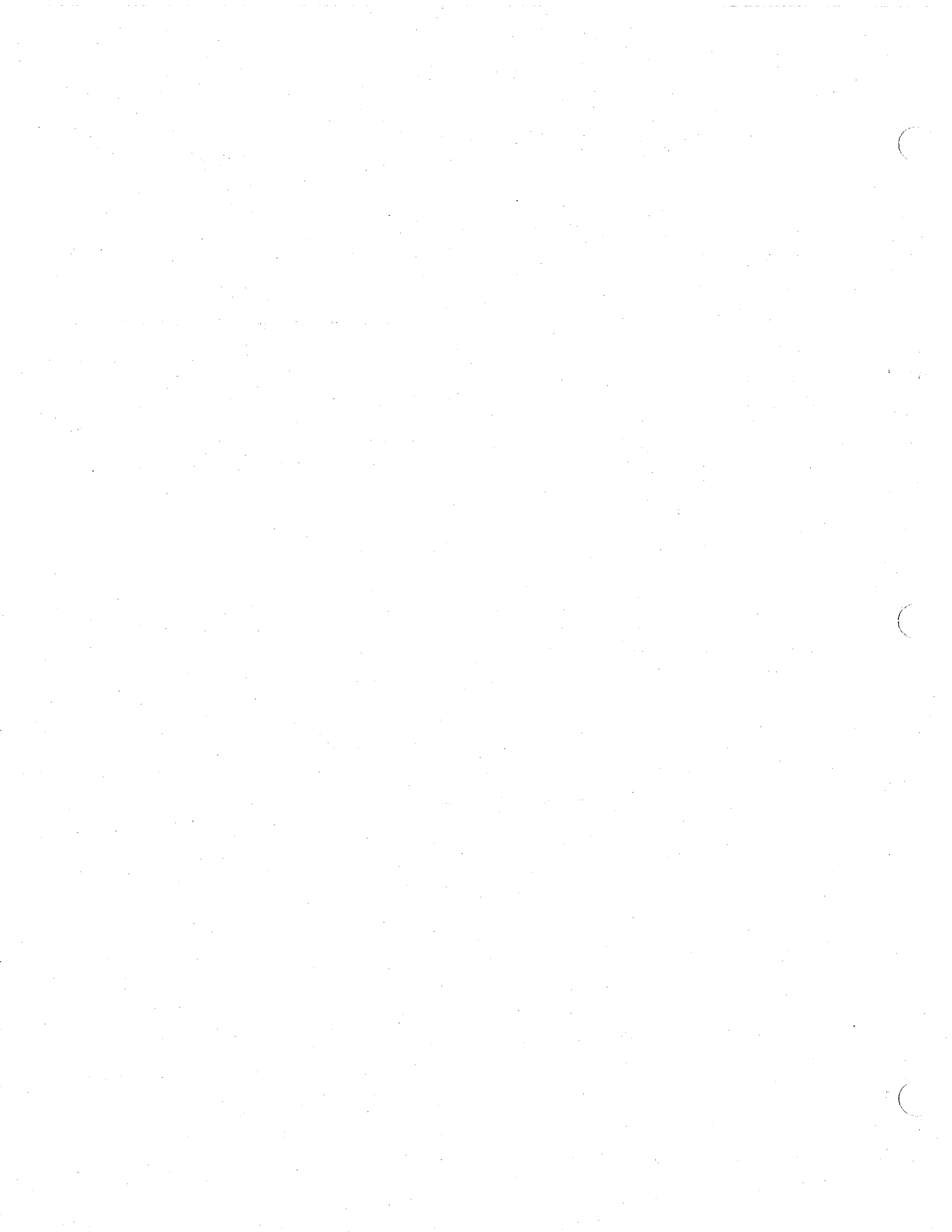
RIPPER



CE111686A

MOUNTED EQUIPMENT

REF. NO.	PART NUMBER	DESCRIPTION	REF. NO.	PART NUMBER	DESCRIPTION
RIPPER - Continued (Not For Low Ground Pressure)			635 484 C91	ATTACHMENT, ripper (Model 15R5) (For use on machines w/3 section valve, 2 lever HCU or 3 section valve, 1 lever HCU, plus auxiliary control) (Not for Low Ground Pressure) (Consists of the following parts which are listed and illustrated throughout this catalog) (See NOTE 2)	
1	710 133 C1	PIN, strut (2)	1	BEAM	710 106 C1
	24 859 R1	SCREW, hex-hd cap (2)	2	BOLT	24 843 R1
	25 555 R1	WASHER, hardened (2)	7	BOLT	24 859 R1
	116 121	WASHER, lock (2)	4	BOLT	24 860 R1
2	710 156 C91	STRUT w/four bushing 710 158 C1 and two fitting 109 461 (2)	2	BOLT	24 865 R1
3	710 138 C1	FRAME, basic mounting	2	BOLT	25 555 R1
	25 845 R1	SCREW, 1" dia. hex hd cap (12)	2	BOLT	25 768 R1
	26 035 R1	SCREW, 1-1/8" dia. hex hd cap(4)	12	BOLT	25 845 R1
	25 550 R1	WASHER, 1" hardened (12)	4	BOLT	26 035 R1
	25 862 R1	WASHER, 1-1/8" hardened (4)	23	BOLT	140 483 H
4	710 101 C1	PIN	3	CLAMP	602 449 C1
	24 859 R1	SCREW, hex-hd cap	2	CONNECTOR	9 410 207
	25 555 R1	WASHER, hardened	1	CYLINDER	706 812 C91
	116 121	WASHER, lock	1	FITTING	109 461
5	109 461	FITTING, lube (4)	1	FITTING	126 152
6	710 158 C1	BUSHING (8)	8	FLANGE	283 172 R1
7	710 132 C1	PLATE, pin retainer (2)	1	FRAME	710 138 C1
	24 860 R1	SCREW, hex-hd cap (4)	1	FRAME	710 159 C91
	116 121	WASHER, lock (4)	2	HOSE	710 416 C1
8	710 103 C1	PIN, (4)	6	NUT	25 522 R1
	24 859 R1	SCREW, hex hd cap (2)	2	NUT	9 412 230
	25 555 R1	WASHER, hardened (2)	1	PIN	710 101 C1
	116 121	WASHER, lock (2)	2	PIN	710 103 C1
9		CYLINDER, hydraulic lift (Refer to "Hydraulic Ripper Lift Cylinder")	1	PIN	710 131 C1
10	710 160 C1	BUSHING, draft frame (8)	2	PIN	710 133 C1
11	710 159 C91	DRAFT FRAME w/eight BUSHING, 710 160 C1 and four FITTING, 109 461	1	PLATE	710 132 C1
12	710 106 C1	BEAM, basic tool	2	PLATE	712 591 C1
13	710 131 C1	PIN, cylinder mounting	2	RING	296 247 R1
14	712 591 C1	PLATE, stop (2)	5	RING	380 794 R1
	24 865 R1	SCREW, hex hd cap (2)	8	SHIM	712 592 C1
	25 536 R1	WASHER, flat (2)	2	SPACER	710 420 C1
	9 412 230	NUT, stover lock (2)	2	STRUT	710 156 C91
	712 592 C1	SHIM, stop (8)	1	TUBE	710 127 C1
15	710 128 C1	PIN, shank mounting (Part of ATTACHMENT, 635 336 C91)	1	TUBE	710 418 C1
	12 505 R1	PIN, cotter (2)	1	TUBE	710 419 C1
16	109 461	FITTING, lube (4)	2	WASHER	25 536 R1
	635 336 C91	ATTACHMENT, shank mounting pin (Not part of "Ripper Attachment") (Used with Ripper and Shank Attachments) (Consists of -	12	WASHER	25 550 R1
		1 PIN	5	WASHER	25 555 R1
		2 PIN	4	WASHER	25 862 R1
			2	WASHER	674 980
			28	WASHER	115 093
			17	WASHER	116 121



NUMERICAL INDEX

PART NUMBER	PAGE No.	PART NUMBER	PAGE No.	PART NUMBER	PAGE No.	PART NUMBER	PAGE No.
IMPF 2	8 - 2	18 583 R1	14 - 10	25 943 M1	17 - 24	55 482 D	2 - 6
PP 6	2 - 8	U 18 806	7 - 47	25 946	17 - 24	60 008	13 - 25
DA 12	2 - 8	19 263 R1	7 - 33	25 990 R1	14 - 7	60 009	13 - 25
CC 24	2 - 8	19 499 R1	7 - 11	25 990 R1	14 - 8	60 011	13 - 25
TP 24	2 - 8	19 499 R1	7 - 23	26 010 R1	12 - 11	60 014	13 - 25
BP 32	2 - 8	19 515 R1	13 - 11	26 010 R1	12 - 15	60 015	13 - 25
PB 43	2 - 8	19 643 R1	17 - 8	26 011 R1	13 - 11	60 017	13 - 25
SS 83	2 - 8	19 685 R1	7 - 49	26 039 DA	7 - 6	60 018	13 - 25
SS 123	2 - 8	19 829 R1	7 - 11	26 056 R1	13 - 35	60 023	13 - 25
H 190	2 - 8	19 829 R1	7 - 23	26 609 R1	10 - 18	61 336 R1	7 - 53
ST 201	7 - 33	19 838 R1	14 - 15	26 632 R1	9 - 10	62 360 C1	7 - 5
ST 203	7 - 12	19 885 R1	7 - 9	26 632 R1	9 - 12	63 018	17 - 23
ST 205 A	7 - 10	19 894 R1	7 - 52	26 632 R1	9 - 13	63 323 D	8 - 13
ST 225 B	7 - 4	19 942 R1	7 - 4	26 632 R1	9 - 14	63 323 D	8 - 19
ST 274	17 - 13	19 968 R1	7 - 49	26 976 R1	13 - 31	63 323 D	8 - 25
ST 278	7 - 10	19 968 R1	9 - 7	26 976 R1	13 - 33	63 323 D	6 - 37
ST 27A	7 - 19	19 968 R1	9 - 9	26 976 R1	13 - 36	63 323 D	8 - 43
ST 295	7 - 33	20 045	17 - 24	27 128 H	7 - 25	63 323 U	8 - 49
ST 296	7 - 32	20 077 R1	7 - 49	27 137 R1	10 - 14	66 362 D	11 - 3
ST 596	17 - 18	20 139 R1	7 - 16	27 137 R1	10 - 16	70 833 C1	13 - 42
700 H	2 - 8	20 139 R1	7 - 36	27 137 R1	10 - 59	M 73 125	17 - 8
712 A	2 - 8	20 228	13 - 40	27 337 R1	12 - 3	M 73 125	17 - 10
735	2 - 8	20 513 R1	10 - 18	27 723 C1	13 - 27	74 348 R91	17 - 13
ST 970	14 - 9	20 641 R1	13 - 41	27 775 R1	2 - 3	80 438 R1	13 - 34
1 052	13 - 40	20 787 R1	13 - 11	28 213	17 - 24	90 041	13 - 25
E 1 416	2 - 8	20 988 R1	7 - 35	28 215 M1	17 - 24	90 049	13 - 25
E 1 820	2 - 8	20 990 R1	6 - 8	28 302	17 - 24	90 087	13 - 25
ST 2 007 A	14 - 12	20 990 R1	6 - 11	28 514	17 - 24	90 107	13 - 25
E 2 022	2 - 8	20 998 R1	9 - 9	29 758	17 - 24	90 119	13 - 25
E 2 304	17 - 23	21 024 R1	13 - 41	29 780 D	7 - 6	90 143	13 - 25
E 2 426	2 - 8	21 026 R1	13 - 28	31 238 UA	7 - 7	90 270	13 - 25
E 2 622	17 - 23	21 274 R1	13 - 41	31 242 DA	7 - 6	90 308	13 - 25
E 2 628	2 - 8	21 502 R1	9 - 7	31 729 U	6 - 8	90 309	13 - 25
E 2 649	17 - 23	21 502 R1	9 - 9	31 729 D	6 - 11	92 779 H1	13 - 2
E 3 032	2 - 8	22 288 R1	10 - 51	31 729 D	12 - 7	92 779 R1	13 - 3
Q 3 481	13 - 3	22 292 R1	10 - 58	33 065	17 - 23	95 373 K2	7 - 5
Q 3 483	10 - 50	22 414 R1	7 - 33	33 445 M1	17 - 24	102 467 H	17 - 20
5 029	13 - 40	22 420 R1	9 - 7	33 557 V	7 - 49	103 128	12 - 19
5 114	13 - 40	22 420 P1	9 - 9	33 558 V	9 - 15	103 213 H	8 - 7
5 246	13 - 40	22 425 R1	7 - 5	33 558 V	9 - 16	103 213 H H	8 - 13
5 247	13 - 40	22 452	17 - 24	37 608 H	17 - 12	103 213 H H	8 - 31
5 257	13 - 40	22 940	17 - 24	39 659 D	2 - 6	103 213 H	11 - 6
5 811	17 - 24	23 007	17 - 24	40 001	13 - 25	103 340	12 - 12
5 977 DA	9 - 3	23 092 R1	7 - 26	40 329 DA	10 - 13	103 340	12 - 16
5 980 D	9 - 4	23 221 R1	12 - 8	40 635 D	2 - 6	103 343	7 - 40
6 022	17 - 24	23 598 R1	7 - 9	40 638 D	2 - 6	103 343	7 - 41
6 061	17 - 24	23 598 R1	7 - 15	41 460	17 - 23	103 343	10 - 48
6 076	13 - 40	23 694 M1	17 - 24	41 490	17 - 23	103 347	10 - 48
7 895	17 - 23	23 697 R1	12 - 12	41 777	17 - 23	103 347	10 - 50
7 982	17 - 24	23 697 R1	12 - 16	42 298 DB	7 - 4	103 372	2 - 6
IZG 8 218	10 - 44	23 872 C1	8 - 48	42 723 H	13 - 31	103 384	7 - 25
IZG 8 218	10 - 45	23 872 R1	8 - 24	42 725	17 - 23	103 496	7 - 49
8 232 DB	17 - 13	23 893	17 - 23	43 207 D	7 - 6	103 496	10 - 21
8 493 DA	14 - 5	23 914 R1	10 - 51	49 068 K	7 - 5	103 496	10 - 23
12 031	17 - 23	24 866 R1	10 - 17	49 127 H	17 - 2	103 498	7 - 48
12 031	17 - 24	24 876 R1	14 - 3	50 286	13 - 25	103 499	7 - 5
12 484 R1	7 - 10	24 886 R1	14 - 8	50 487	13 - 25	104 038	7 - 49
12 484 R1	7 - 11	24 892 P1	14 - 8	50 488	13 - 25	104 039	4 - 3
12 484 R1	7 - 23	24 985 R1	7 - 33	52 461	17 - 23	104 039	12 - 16
13 363 D	14 - 12	25 053 R1	14 - 2	52 462	17 - 23	104 076	7 - 13
13 390 U	17 - 12	25 056 R1	13 - 33	52 917 R1	7 - 25	104 937	9 - 18
17 011 R1	7 - 28	25 195 R1	2 - 3	53 198 D	2 - 6	104 937	9 - 19
17 011 R1	10 - 11	25 336 R1	7 - 53	53 199 D	2 - 6	104 937	12 - 7
17 011 R1	10 - 13	25 340 R1	17 - 10	53 200 D	2 - 6	104 940	9 - 7
17 014 R1	2 - 6	25 465 R1	10 - 41	53 201 D	2 - 6	104 940	9 - 9
17 014 R1	7 - 28	25 524 R1	4 - 3	53 202 D	2 - 6	104 942	9 - 18
17 014 R1	10 - 11	25 566 R1	14 - 11	53 203 U	2 - 6	104 942	9 - 19
17 014 R1	10 - 13	25 705 R1	7 - 2	53 205 D	2 - 6	105 404	7 - 29
17 100 R1	4 - 3	25 759 R1	8 - 2	53 206 U	2 - 6	105 422	10 - 41
17 132 R1	7 - 32	25 774 R1	7 - 2	53 207 D	2 - 6	105 422	10 - 43
17 145 R1	7 - 28	25 911 R1	14 - 18	53 209 D	2 - 6	105 423	9 - 7
17 155	17 - 24	25 922 R1	12 - 11	53 783 H	10 - 5	106 623	9 - 7
17 161 R1	10 - 48	25 922 R1	12 - 15	53 977 D	9 - 16	106 623	9 - 9
17 161 R1	10 - 50	25 931 R1	12 - 11	55 371 DA	7 - 7	107 576 H91	17 - 12
17 164 R1	12 - 20	25 931 R1	12 - 16	55 479 D	2 - 6	107 577 R1	17 - 12

NUMERICAL INDEX

PART NUMBER	PAGE No.	PART NUMBER	PAGE No.	PART NUMBER	PAGE No.	PART NUMBER	PAGE No.
108 827 R1	8 - 59	124 087 H1	8 - 6	197 976 H1	7 - 33	263 514 R91	8 - 37
108 827 R1	8 - 61	124 087 H1	8 - 12	199 037 H1	10 - 50	263 514 R91	8 - 43
109 460	17 - 20	124 087 H1	8 - 18	199 348 H2	7 - 32	263 514 R91	8 - 49
109 461	4 - 3	124 087 H1	8 - 30	199 351 H2	7 - 32	263 514 R91	11 - 6
109 461	10 - 15	124 087 H1	8 - 36	199 352 H2	7 - 32	263 696 R1	7 - 4
109 461	10 - 17	124 087 H1	8 - 42	200 101	13 - 25	263 717 R1	8 - 25
109 461	10 - 18	124 546	13 - 41	200 111	13 - 25	263 717 R1	11 - 3
109 461	10 - 19	124 547	10 - 4	200 113	13 - 25	263 717 R1	11 - 5
109 461	14 - 2	124 549	7 - 13	200 961	17 - 23	263 717 R91	8 - 6
109 461	14 - 13	124 552	7 - 13	202 307 R1	7 - 5	263 717 R91	8 - 13
109 461	14 - 15	125 860	7 - 8	202 552	17 - 24	263 717 R91	8 - 19
109 461	17 - 5	125 860	7 - 14	205 368 R91	7 - 5	263 717 R91	8 - 25
109 461	17 - 8	126 152	4 - 3	210 877 H1	7 - 33	263 717 R91	8 - 31
109 461	17 - 10	126 152	9 - 17	213 383 H	8 - 24	263 717 R91	8 - 37
109 461	17 - 19	126 152	10 - 18	213 383 H	8 - 48	263 717 R91	8 - 43
109 461	17 - 27	126 152	10 - 21	213 383 H1	8 - 12	263 717 R91	8 - 49
109 462	7 - 5	126 152	10 - 23	213 383 H1	8 - 18	263 804 R1	7 - 36
109 462	10 - 21	126 168	13 - 22	213 383 H1	8 - 36	264 055 R2	7 - 12
109 462	10 - 23	127 874	7 - 43	213 383 H1	8 - 42	264 055 R2	7 - 13
109 462	17 - 19	127 878	7 - 47	214 767 H2	10 - 60	264 055 R2	7 - 27
109 462	17 - 20	127 950	7 - 26	214 767 H2	10 - 61	264 097 R2	10 - 21
110 146 R91	17 - 20	138 557	8 - 52	215 331 R1	12 - 19	264 097 R2	10 - 23
112 745	8 - 7	138 806	17 - 16	217 984	10 - 49	264 097 R2	12 - 11
112 745	8 - 13	140 284	12 - 19	218 251	7 - 44	264 097 R2	12 - 15
112 745	8 - 19	140 285	12 - 21	218 251	7 - 47	264 164 R91	8 - 6
112 745	8 - 25	140 302	6 - 11	219 333	13 - 22	264 164 R91	8 - 31
112 745	8 - 31	140 303	12 - 19	238 626 R1	7 - 5	264 164 R91	8 - 37
112 745	8 - 37	140 304	12 - 21	238 627 R1	17 - 16	264 186 R1	8 - 25
112 745	8 - 43	141 127	7 - 11	250 567 R1	10 - 48	264 186 R1	8 - 49
112 745	8 - 49	141 127	7 - 23	250 567 R1	10 - 50	265 204 R1	4 - 7
114 494	7 - 6	141 152	7 - 15	251 644 C91	13 - 39	265 204 R1	4 - 8
114 496	7 - 6	141 199	7 - 53	252 483 R1	7 - 10	265 204 R1	7 - 2
114 496	10 - 10	141 239	14 - 18	252 483 R1	10 - 10	265 204 R1	7 - 35
114 496	10 - 21	141 279	7 - 8	252 483 R1	10 - 12	265 205 R1	4 - 7
114 496	10 - 23	141 621	10 - 51	252 556 R1	10 - 50	265 205 R1	4 - 8
114 496	12 - 16	141 621	13 - 22	252 844 R1	7 - 13	265 205 R1	7 - 2
114 505	10 - 13	142 016	11 - 8	252 844 R1	7 - 26	265 205 R1	7 - 30
114 505	17 - 16	142 016	11 - 10	252 852 R1	7 - 13	265 205 R1	7 - 35
114 507	17 - 15	142 127 R1	7 - 5	252 852 R1	7 - 26	265 205 R1	12 - 6
114 745	7 - 4	142 142	11 - 8	252 977 R91	7 - 13	265 205 R1	12 - 7
115 224	13 - 22	142 142	11 - 10	252 977 R91	7 - 26	266 306 C1	12 - 21
115 329 R1	13 - 34	142 756	7 - 15	253 070 R1	7 - 15	266 770 R91	8 - 59
116 538	12 - 16	144 047	7 - 30	253 172 R1	10 - 48	266 770 R91	8 - 61
117 175	17 - 20	144 056	7 - 35	253 174 R2	9 - 7	266 964 R1	10 - 39
117 463 H1	7 - 2	144 059	7 - 35	253 174 R2	9 - 9	267 665 R91	7 - 7
117 724 C1	13 - 34	144 083	10 - 24	253 738 R92	8 - 5	267 689 R1	7 - 6
117 926	9 - 7	144 151	7 - 35	253 738 R92	8 - 11	267 787 R91	8 - 6
117 926	9 - 9	144 603	13 - 22	253 738 R92	8 - 17	267 787 R91	8 - 7
117 928	9 - 7	145 373	2 - 3	253 738 R92	8 - 23	267 787 R91	8 - 13
117 928	9 - 9	148 689 R1	13 - 7	253 738 R92	8 - 29	267 787 R91	8 - 19
117 975	13 - 33	149 423 H2	7 - 16	253 738 R92	8 - 35	267 787 R91	8 - 25
117 996	14 - 12	154 665 R1	7 - 49	253 738 R92	8 - 41	267 787 R91	8 - 30
118 002	7 - 21	156 283 H1	7 - 33	253 738 R92	8 - 47	267 787 R91	8 - 31
118 469 C1	13 - 41	160 161 H1	17 - 23	256 049 C1	12 - 20	267 787 R91	8 - 37
118 627	4 - 3	170 254 R1	17 - 12	256 141 R1	7 - 13	267 787 R91	8 - 43
118 664	13 - 29	174 299 H1	10 - 16	256 141 R1	7 - 26	267 787 R91	8 - 49
118 776	10 - 9	175 086 C1	13 - 27	256 401 C91	12 - 20	267 787 R91	10 - 53
118 985	8 - 61	177 431 H1	10 - 4	256 402 C1	12 - 20	267 787 R91	10 - 57
119 098	13 - 22	179 790	2 - 6	256 403 C1	12 - 20	267 788 R91	8 - 37
119 102	10 - 44	186 451 H2	7 - 16	256 404 C1	12 - 20	268 552 R1	12 - 20
119 102	10 - 45	186 553	7 - 43	257 642 R1	7 - 39	268 996 R1	14 - 6
120 001 H1	7 - 2	186 553	7 - 47	257 796 C91	12 - 20	268 996 R1	14 - 10
120 063	13 - 22	187 249	13 - 22	258 400 C1	14 - 10	268 996 R1	14 - 11
120 217	8 - 52	187 396	12 - 7	259 246 R1	7 - 12	269 635 R91	12 - 19
120 286	12 - 7	190 699	12 - 7	259 246 R1	14 - 6	269 635 R91	12 - 21
120 322	13 - 22	190 717	7 - 44	259 246 R1	14 - 9	269 908 R1	7 - 8
120 428	7 - 9	190 717	13 - 22	259 342 R1	10 - 54	269 908 R1	7 - 9
120 511 H	13 - 33	191 296	13 - 22	259 342 R1	10 - 57	269 909 R2	7 - 12
120 585	13 - 41	191 967	4 - 3	260 919 R4	7 - 5	269 909 R2	7 - 23
121 207	10 - 49	192 082	7 - 47	261 069 R1	7 - 6	269 910 R1	7 - 12
121 220	12 - 19	192 651	13 - 22	263 514 R91	8 - 7	269 910 R1	7 - 15
121 322	12 - 19	193 093	8 - 7	263 514 R91	8 - 13	269 910 R1	7 - 23
122 316 R91	13 - 27	193 093	8 - 32	263 514 R91	8 - 19	270 711 R1	6 - 3
122 323 R91	6 - 8	194 363 R2	7 - 21	263 514 R91	8 - 25	270 711 R1	6 - 4
122 323 R91	6 - 10	197 971 H1	7 - 33	263 514 R91	8 - 31	270 835 R1	7 - 9

NUMERICAL INDEX

PART NUMBER	PAGE No.	PART NUMBER	PAGE No.	PART NUMBER	PAGE No.	PART NUMBER	PAGE No.
270 835 R1	14 - 3	286 449 R1	17 - 17	296 247 R1	7 - 43	299 410 C1	8 - 42
270 835 R1	14 - 12	286 450 R1	17 - 17	296 247 R1	10 - 9	299 410 C1	6 - 49
271 066 R92	8 - 6	286 464 R1	17 - 19	296 247 R1	10 - 10	299 516 R92	17 - 15
271 066 R92	8 - 30	286 513 R1	17 - 13	296 247 R1	10 - 12	299 609 C1	12 - 6
271 570	17 - 15	286 514 R1	17 - 13	296 247 R1	10 - 39	299 615 C1	7 - 37
271 647 R1	9 - 7	286 515 R1	17 - 13	296 247 R1	10 - 62	299 714 R1	17 - 15
271 647 R1	9 - 9	286 520 R1	17 - 13	296 590 R91	10 - 15	299 715 R1	17 - 15
271 647 R1	14 - 9	286 521 R1	17 - 13	297 248 R1	6 - 3	300 525 R1	7 - 46
271 849 R1	10 - 48	286 552 R91	17 - 19	297 459 R1	7 - 36	300 761 R1	10 - 9
272 477 R92	7 - 21	286 552 R91	17 - 21	297 581 R91	7 - 44	300 920 R1	11 - 6
272 479 R92	7 - 22	286 556 R1	17 - 11	297 704 R1	17 - 15	301 230 R1	10 - 11
272 536 R1	4 - 3	286 958 R1	17 - 11	297 705 R92	17 - 15	301 819 R1	13 - 27
272 552	10 - 7	286 981 R1	17 - 13	297 705 R92	17 - 16	301 844 R1	7 - 46
272 925 R1	7 - 54	287 009 R1	17 - 16	297 706 R1	17 - 15	301 844 R1	7 - 47
273 352	17 - 20	287 009 R1	17 - 19	297 707 R1	17 - 15	303 706 R1	8 - 54
273 405 R1	8 - 7	287 015 R2	17 - 15	297 708 R2	17 - 16	303 706 R1	8 - 55
273 405 R1	8 - 32	287 020 R1	17 - 15	297 709 R1	17 - 15	304 754 R1	9 - 16
273 406 R1	8 - 7	287 058 R91	17 - 15	297 710 R2	17 - 16	304 755 R1	9 - 16
273 406 R1	8 - 31	287 058 R91	17 - 16	297 711 R1	17 - 16	305 533 R92	14 - 6
273 560	8 - 53	287 058 R91	17 - 19	297 712 R2	17 - 16	305 535 R3	14 - 6
274 088 R91	7 - 13	287 058 R91	17 - 20	297 714 R1	17 - 16	305 542 R1	14 - 6
274 088 R91	7 - 26	288 219 C1	12 - 19	297 715 R2	17 - 15	306 025 R2	7 - 13
274 239 R1	6 - 8	289 202 R1	17 - 21	297 716 R1	17 - 15	306 025 R2	7 - 26
274 239 R1	6 - 11	289 203 R1	17 - 21	297 717 R1	17 - 16	306 026 R1	7 - 13
274 287 R2	6 - 8	289 204 R1	17 - 21	297 718 R1	17 - 15	306 132 C1	11 - 5
274 287 R2	6 - 10	289 255 R2	9 - 17	297 719 R1	17 - 15	306 970 R1	7 - 48
274 325 R1	9 - 15	289 255 R2	9 - 19	297 720 R1	17 - 15	306 970 R1	7 - 49
275 131 R1	11 - 5	289 273 R1	17 - 18	297 721 R1	17 - 15	307 434 R1	4 - 3
276 956 R91	8 - 7	290 045 R1	7 - 47	297 722 R1	17 - 15	307 832 R1	17 - 13
276 956 R91	8 - 31	290 045 R1	10 - 39	297 723 R1	17 - 15	307 833 R1	17 - 11
277 153 R1	2 - 6	290 256 R2	9 - 10	297 780 R1	17 - 11	307 833 R1	17 - 13
277 181 R91	10 - 10	290 256 R2	9 - 12	297 781 R1	17 - 11	307 839 R1	4 - 5
277 181 R91	10 - 12	290 256 R2	9 - 13	297 782 R1	17 - 11	307 839 R1	7 - 25
277 549 R1	7 - 5	290 256 R2	9 - 14	297 786 R2	17 - 11	307 915 R1	7 - 15
278 027 R1	17 - 11	290 257 R1	9 - 10	297 787 R2	17 - 11	307 915 R1	7 - 21
278 112 R1	9 - 15	290 257 R1	9 - 12	297 801 R1	17 - 12	307 915 R1	7 - 43
278 112 R1	9 - 16	290 257 R1	9 - 13	297 804 R2	17 - 12	307 915 R1	10 - 10
278 834 R21	11 - 3	290 257 R1	9 - 14	297 805 R1	17 - 12	307 915 R1	10 - 12
278 834 R21	11 - 5	290 267 R2	9 - 12	297 806 R1	17 - 12	307 989 R91	7 - 26
278 836 R2	11 - 3	290 267 R2	9 - 14	297 811 R1	17 - 13	308 576 R1	6 - 5
278 836 R2	11 - 5	290 283 R2	17 - 8	297 813 R1	17 - 13	308 581 R1	8 - 7
278 847 R1	7 - 5	290 284 R1	17 - 8	297 814 R2	17 - 13	308 581 R1	8 - 12
278 919 R1	2 - 6	290 285 R1	17 - 8	297 816 R2	17 - 13	308 581 R1	8 - 13
279 025 R91	10 - 24	290 287 R2	17 - 8	297 820 R1	17 - 13	308 581 R1	8 - 18
279 027 R91	12 - 3	290 290 R2	10 - 58	297 909 R92	8 - 5	308 581 R1	8 - 19
279 247 R1	9 - 7	290 290 R2	10 - 59	297 909 R92	8 - 11	308 581 R1	8 - 25
279 247 R1	9 - 9	290 290 R2	10 - 60	297 909 R92	8 - 17	308 581 R1	8 - 31
280 668 R91	10 - 51	290 290 R2	10 - 61	297 909 R92	8 - 29	308 581 R1	8 - 36
283 172 R1	10 - 27	290 290 R2	17 - 8	297 909 R92	8 - 35	308 581 R1	8 - 37
283 172 R1	10 - 31	290 290 R2	17 - 10	297 909 R92	8 - 41	308 581 R1	8 - 43
283 172 R1	10 - 35	290 358 R1	17 - 18	298 029 R91	14 - 9	308 581 R1	8 - 49
283 172 R1	10 - 47	290 532 R2	17 - 8	298 098 R91	17 - 16	308 581 R1	10 - 24
283 983 R91	8 - 6	290 808 R91	7 - 53	298 175 R91	17 - 16	308 581 R1	13 - 27
283 983 R91	8 - 11	290 987 R1	7 - 15	298 175 R91	17 - 19	308 674 R91	7 - 10
283 983 R91	8 - 17	293 001 R11	17 - 8	298 175 R91	17 - 20	308 701 R1	17 - 11
283 983 R91	8 - 29	293 001 R11	17 - 10	298 190 R91	17 - 13	308 760 R1	17 - 19
283 983 R91	8 - 30	293 046 R1	9 - 12	298 194 R91	17 - 12	308 761 R1	17 - 19
283 983 R91	8 - 35	293 351 R91	7 - 35	298 197 R91	17 - 12	308 762 R1	17 - 19
283 983 R91	8 - 41	293 726 R1	14 - 10	298 216 R1	12 - 11	308 763 R1	17 - 19
285 723 R1	7 - 11	293 726 R1	14 - 12	298 216 R1	12 - 15	308 764 R1	17 - 19
285 723 R1	7 - 15	293 808 R91	17 - 20	298 216 R1	12 - 16	308 765 R1	17 - 19
285 723 R1	7 - 23	293 998 R1	9 - 10	298 216 R1	13 - 8	308 769 R91	17 - 18
285 723 R1	7 - 36	293 999 R1	9 - 11	298 273 R1	17 - 15	308 770 R91	17 - 18
285 724 R1	7 - 15	294 118 R2	10 - 48	298 274 R1	17 - 16	308 782 R1	17 - 13
285 724 R1	7 - 19	294 134 R1	7 - 27	298 382 R1	10 - 11	308 783 R1	17 - 13
285 724 R1	7 - 21	294 134 R1	11 - 6	298 401 R1	7 - 15	308 784 R1	17 - 13
286 336 R1	17 - 12	294 514 R2	10 - 58	298 552 R3	17 - 11	308 802 R2	17 - 18
286 337 R1	17 - 12	294 515 R1	10 - 58	298 926 R92	17 - 15	308 807 R1	17 - 20
286 338 R1	17 - 12	294 552 R3	17 - 10	299 404 C1	12 - 6	308 809 R1	17 - 20
286 355 R1	17 - 11	294 555 R1	17 - 10	299 410 C1	8 - 6	308 810 R1	17 - 20
286 356 R1	17 - 11	294 684 R1	10 - 19	299 410 C1	8 - 12	308 813 R1	17 - 20
286 357 R1	17 - 11	294 799 R1	10 - 19	299 410 C1	8 - 18	308 815 R91	17 - 20
286 361 R1	17 - 12	294 866 R1	17 - 18	299 410 C1	8 - 24	308 818 R1	17 - 20
286 385 R1	17 - 18	296 247 C1	7 - 35	299 410 C1	8 - 30	308 819 R91	17 - 20
286 442 R1	17 - 17	296 247 R1	7 - 41	299 410 C1	8 - 36	308 820 R91	17 - 20

NUMERICAL INDEX

PART NUMBER	PAGE No.	PART NUMBER	PAGE No.	PART NUMBER	PAGE No.	PART NUMBER	PAGE No.
308 872 R1	7 - 26	319 620 R1	7 - 6	324 072 R2	7 - 33	325 096 K1	9 - 16
308 882 R1	6 - 5	319 628 R91	14 - 13	324 085 R2	7 - 32	325 151 R1	7 - 50
308 882 R1	7 - 43	319 628 R91	14 - 14	324 088 R1	7 - 32	325 152 R1	7 - 50
309 015 R91	2 - 6	319 628 R91	14 - 15	324 092 R2	7 - 33	325 153 R1	7 - 50
309 056 R1	17 - 8	319 922 R1	7 - 54	324 103 R91	4 - 3	325 158 R1	7 - 50
309 059 R91	17 - 19	320 391 R1	6 - 11	324 109 R91	7 - 33	325 161 R2	7 - 50
309 749 R1	17 - 19	320 726 R1	9 - 13	324 222 R1	7 - 19	325 163 R1	7 - 50
309 789 R2	17 - 4	320 726 R11	9 - 13	324 222 R1	7 - 21	325 171 R12	7 - 49
309 789 R2	17 - 7	320 726 R11	9 - 14	324 223 R1	7 - 19	325 173 R3	7 - 49
309 815 R1	7 - 53	320 741 R1	10 - 15	324 223 R2	7 - 15	325 175 R2	7 - 49
309 816 R1	7 - 53	320 741 R1	10 - 16	324 223 R2	7 - 21	325 177 R2	7 - 49
309 907 R11	17 - 8	320 742 R1	10 - 15	324 226 R1	7 - 15	325 180 K1	4 - 3
309 907 R11	17 - 10	320 742 R91	10 - 17	324 226 R1	7 - 19	325 180 R1	7 - 48
309 944 R1	17 - 15	320 756 R1	17 - 2	324 226 R1	7 - 21	325 181 R1	7 - 49
310 923 R1	2 - 6	320 757 R1	17 - 2	324 227 R1	7 - 15	325 182 R1	7 - 48
310 924 R91	2 - 6	320 761 R13	17 - 10	324 227 R1	7 - 19	325 183 R1	7 - 48
310 928 R1	10 - 10	320 764 R1	17 - 10	324 227 R1	7 - 21	325 193 R1	10 - 19
310 944 R91	2 - 6	320 788 R1	10 - 19	324 227 R1	7 - 21	325 201 R1	14 - 9
310 944 R91	2 - 7	320 798 R91	17 - 4	324 231 R1	7 - 18	325 202 R1	14 - 9
311 218 H1	6 - 8	320 832 R2	17 - 4	324 231 R1	7 - 20	325 223 R2	14 - 13
311 218 H1	6 - 10	320 832 R2	17 - 4	324 232 R1	7 - 18	325 223 R2	14 - 15
311 524 R1	17 - 13	320 875 R11	9 - 12	324 232 R1	7 - 20	325 236 K31	14 - 12
311 627 R1	17 - 13	320 877 R11	17 - 10	324 238 R1	7 - 19	325 249 K1	14 - 14
311 628 R1	17 - 13	321 149 R92	6 - 11	324 238 R1	7 - 21	325 249 K1	14 - 15
311 728 R1	17 - 12	321 246 R91	10 - 17	324 241 R1	7 - 19	325 275 H3	7 - 51
311 731 R1	17 - 12	321 247 R91	10 - 15	324 241 R1	7 - 21	325 276 R2	7 - 52
312 552 R1	2 - 3	321 247 R91	10 - 17	324 249 R1	7 - 16	325 283 R2	7 - 52
312 565 R1	6 - 3	321 359 R1	7 - 35	324 299 R1	7 - 36	325 287 R1	7 - 53
312 565 R1	6 - 4	321 359 R1	7 - 37	324 452 R1	4 - 3	325 297 R1	7 - 53
313 957 H1	8 - 53	321 387 R1	7 - 47	324 452 R1	7 - 5	325 309 R91	7 - 50
315 089 R91	17 - 4	321 547 R91	14 - 9	324 456 R1	7 - 5	325 406 R1	9 - 7
315 090 R1	17 - 4	321 966 R91	7 - 10	324 456 R1	7 - 5	325 406 R1	9 - 9
315 091 R1	17 - 4	321 966 R92	7 - 19	324 738 R1	17 - 13	325 411 R1	9 - 7
315 092 R1	17 - 4	321 966 R92	7 - 20	324 739 R91	17 - 13	325 411 R1	9 - 9
315 103 R1	17 - 8	321 968 R92	7 - 22	324 907 R1	7 - 54	325 417 R1	9 - 7
315 103 R1	17 - 10	321 968 R92	7 - 22	324 961 R1	7 - 6	325 417 R1	9 - 7
315 176 R11	17 - 10	321 969 R91	7 - 11	324 964 R1	7 - 6	325 417 R1	9 - 9
315 177 R1	17 - 10	321 969 R91	7 - 23	325 003 R1	7 - 11	325 422 R1	9 - 7
315 180 R11	17 - 8	321 975 R1	7 - 50	325 003 R1	7 - 23	325 422 R1	9 - 9
315 180 R11	17 - 10	321 981 R91	7 - 50	325 004 R1	7 - 11	325 429 R1	9 - 7
315 182 R2	17 - 8	321 985 R1	7 - 49	325 004 R1	7 - 23	325 429 R1	9 - 9
315 445 R91	17 - 8	321 988 R1	7 - 4	325 005 R1	7 - 11	325 429 R1	17 - 17
315 446 R91	17 - 8	321 988 R1	7 - 33	325 005 R1	7 - 23	325 453 R2	8 - 31
315 475 R92	17 - 8	321 991 R1	7 - 16	325 007 R1	7 - 11	325 453 R2	8 - 37
315 476 K92	17 - 8	321 991 R1	7 - 36	325 007 R1	7 - 23	325 453 R2	8 - 43
315 506 R1	17 - 4	321 992 R1	7 - 15	325 008 R1	7 - 23	325 453 R2	8 - 49
315 506 R1	17 - 6	321 992 R1	7 - 16	325 012 R1	7 - 19	325 479 K91	2 - 5
315 506 R1	17 - 7	321 992 R1	7 - 36	325 012 R1	7 - 20	325 554 R93	4 - 4
315 506 R1	17 - 10	321 994 R1	7 - 16	325 013 R1	7 - 19	325 558 R11	4 - 3
317 092 H91	10 - 59	321 997 R1	7 - 16	325 014 R1	7 - 19	325 559 R2	4 - 3
317 096 R91	10 - 58	321 997 R1	7 - 36	325 017 R1	7 - 20	325 562 R2	4 - 4
317 097 R1	10 - 58	321 997 R1	10 - 48	325 021 R2	7 - 14	325 563 R92	4 - 3
317 126 R1	10 - 58	321 997 R1	10 - 50	325 021 R2	7 - 15	325 567 R2	4 - 4
317 262 R1	7 - 44	323 395 R1	9 - 7	325 022 R1	7 - 14	325 569 R1	4 - 3
317 262 R1	13 - 27	323 395 R1	9 - 9	325 022 R1	7 - 15	325 570 R1	4 - 3
317 499 R1	9 - 10	323 560 R91	17 - 16	325 023 R11	7 - 22	325 575 R1	7 - 48
317 499 R1	9 - 11	323 562 R1	17 - 15	325 025 R2	7 - 22	325 576 R93	7 - 48
317 767 R91	7 - 26	323 642 R11	17 - 8	325 028 R1	7 - 13	325 593 R1	13 - 4
317 783 R1	11 - 5	323 647 R1	17 - 8	325 028 R1	7 - 26	325 655 K2	9 - 2
317 923 R1	14 - 11	323 656 R91	17 - 13	325 029 R1	7 - 13	326 078 R1	6 - 2
317 943 R1	10 - 50	323 657 R91	17 - 13	325 029 R1	7 - 26	326 122 R1	17 - 18
317 943 R1	12 - 7	324 000 R1	7 - 49	325 040 R2	7 - 15	326 233 R92	10 - 58
318 300 R1	9 - 7	324 014 R91	7 - 48	325 040 R2	7 - 16	326 234 R1	10 - 58
318 300 R1	9 - 9	324 019 R1	7 - 15	325 041 R1	7 - 15	326 235 R91	10 - 53
318 581 R92	12 - 11	324 021 R1	7 - 15	325 054 R1	7 - 23	326 236 K11	10 - 53
318 588 R1	7 - 5	324 022 R1	7 - 15	325 055 R1	7 - 23	326 239 R1	10 - 53
319 452 R1	17 - 2	324 027 R91	7 - 52	325 055 R1	7 - 50	326 239 R1	10 - 57
319 453 R1	17 - 2	324 044 R1	7 - 52	325 056 R1	7 - 22	326 240 R1	10 - 53
319 454 R1	17 - 2	324 045 R1	7 - 54	325 058 R1	7 - 22	326 240 R1	10 - 54
319 469 R1	9 - 10	324 049 R1	7 - 11	325 059 R1	7 - 15	326 241 R11	10 - 53
319 471 R1	9 - 10	324 049 R1	7 - 23	325 059 R2	7 - 15	326 296 R1	7 - 46
319 615 R1	7 - 26	324 051 R1	4 - 3	325 059 R2	7 - 19	326 306 R11	17 - 13
319 615 R1	7 - 29	324 051 R1	7 - 22	325 059 R2	7 - 20	326 307 R11	17 - 13
319 619 R1	7 - 6	324 061 R1	7 - 33	325 060 R2	7 - 19	326 308 R1	17 - 13
		324 062 R2	7 - 33	325 081 R1	7 - 22	326 450 R11	17 - 11
		324 069 R1	7 - 33	325 084 R2	7 - 27	326 451 K1	17 - 13
		324 071 R2	7 - 33	325 096 K1	9 - 15		

NUMERICAL INDEX

PART NUMBER	PAGE No.	PART NUMBER	PAGE No.	PART NUMBER	PAGE No.	PART NUMBER	PAGE No.
327 068 R1	14 - 11	333 057 R91	10 - 21	334 810 R93	10 - 5	336 620 R2	10 - 60
327 071 R1	12 - 6	333 057 R91	10 - 23	334 811 R93	10 - 5	336 620 R2	10 - 61
327 071 R1	12 - 7	333 069 R1	10 - 23	334 812 R3	10 - 5	336 670 R5	10 - 48
327 129 R92	7 - 32	333 069 R2	10 - 21	334 813 R3	10 - 5	336 670 R5	10 - 50
327 189 R91	8 - 53	333 071 R1	10 - 21	334 817 R2	10 - 5	336 970 R1	7 - 33
327 272 R91	7 - 37	333 071 R1	10 - 23	334 818 R1	10 - 5	337 461 R3	10 - 21
327 273 R91	6 - 4	333 197 R91	10 - 21	334 820 R2	10 - 5	337 646 R1	14 - 13
327 273 R91	7 - 44	333 275 R2	10 - 15	334 821 R2	10 - 5	337 646 R1	14 - 15
327 393 R1	6 - 11	333 276 R1	10 - 15	334 822 R11	10 - 5	337 647 R1	14 - 13
327 429 R92	7 - 22	333 289 P91	9 - 12	334 825 R11	7 - 48	337 647 R1	14 - 15
327 465 R1	12 - 11	333 290 R91	9 - 12	334 826 R11	7 - 48	337 650 R2	14 - 13
327 465 R1	12 - 15	333 294 R91	9 - 12	334 829 R11	7 - 49	337 814 R3	10 - 23
327 723 R91	7 - 44	333 295 R91	9 - 12	334 838 R1	14 - 2	337 815 R2	10 - 23
327 777 R91	6 - 11	333 356 R11	10 - 15	334 839 R1	14 - 2	337 816 R2	10 - 21
327 800 R92	9 - 15	333 402 R1	17 - 12	334 840 R1	14 - 2	337 816 R2	10 - 23
327 839 R1	7 - 11	333 403 R92	17 - 12	334 841 R1	14 - 2	337 817 R1	10 - 21
327 842 R1	7 - 13	333 413 R91	17 - 18	334 844 R2	14 - 5	337 817 R1	10 - 23
327 846 R1	7 - 13	333 425 P11	17 - 21	334 847 R31	7 - 8	338 007 R1	9 - 2
327 851 R1	7 - 9	333 457 R1	10 - 53	334 848 R21	7 - 14	338 017 R1	7 - 49
327 853 R11	7 - 9	333 457 R1	10 - 54	334 872 R1	4 - 3	338 019 R11	7 - 48
327 856 R11	7 - 8	333 457 R1	10 - 57	334 950 R2	13 - 19	338 065 R1	8 - 7
327 859 R11	7 - 8	333 506 R1	10 - 28	334 951 R1	13 - 19	338 065 R1	8 - 13
327 862 R1	7 - 8	333 774 R1	12 - 7	334 964 R1	14 - 3	338 065 R1	8 - 19
327 863 R1	7 - 8	333 795 R1	10 - 21	334 965 R1	14 - 3	338 065 R1	8 - 25
327 864 R11	7 - 9	333 795 R1	10 - 23	334 966 R1	14 - 3	338 065 R1	8 - 37
327 866 R2	7 - 9	333 800 R1	10 - 23	334 967 R1	14 - 3	338 065 R1	8 - 43
327 868 R91	7 - 13	333 996 R92	7 - 33	335 321 R92	10 - 48	338 065 R1	8 - 49
327 872 R1	7 - 13	333 998 R91	7 - 4	335 322 R2	10 - 48	338 132 R4	7 - 49
327 873 R1	7 - 13	334 106 R2	7 - 8	335 322 R2	10 - 50	338 260 R91	7 - 50
327 874 R1	7 - 8	334 119 R1	7 - 9	335 556 R91	10 - 23	338 260 R91	7 - 52
327 910 R2	7 - 25	334 169 R5	14 - 2	335 567 R1	10 - 23	338 276 R2	4 - 3
327 912 R3	7 - 25	334 173 R3	14 - 2	335 579 R1	10 - 10	338 277 R3	4 - 3
328 249 R1	10 - 9	334 173 R3	14 - 3	335 579 R1	10 - 12	338 651 R94	7 - 16
328 253 R1	10 - 48	334 174 R2	14 - 2	335 595 R1	10 - 11	338 651 R94	7 - 36
330 559 R1	14 - 2	334 174 R2	14 - 3	335 595 R1	10 - 13	338 784 R91	7 - 35
330 599 R1	14 - 17	334 217 R92	4 - 6	335 598 R2	10 - 11	338 814 R91	8 - 53
330 690 R2	14 - 2	334 226 R1	7 - 50	335 598 R2	10 - 13	338 835 R1	7 - 40
330 690 R2	14 - 3	334 229 R2	14 - 7	335 599 R2	10 - 11	338 835 R1	7 - 41
330 692 R1	14 - 5	334 229 R2	14 - 8	335 599 R2	10 - 13	338 896 R1	8 - 53
330 693 R2	14 - 13	334 230 R2	14 - 7	335 601 R1	10 - 11	338 904 R91	17 - 12
330 705 R91	4 - 4	334 230 R2	14 - 8	335 601 R1	10 - 13	338 908 R91	6 - 5
330 714 R11	8 - 54	334 232 R2	9 - 16	335 602 R11	10 - 11	338 909 R91	6 - 5
330 929 R1	7 - 36	334 233 R13	9 - 16	335 606 R11	10 - 12	338 918 R91	10 - 24
331 150 R1	12 - 11	334 234 R92	9 - 16	335 607 R1	10 - 12	338 972 R1	7 - 33
331 150 R1	12 - 15	334 235 R1	9 - 16	335 608 R2	10 - 12	341 660 R1	11 - 3
331 195 R91	13 - 5	334 394 R21	9 - 2	335 609 R1	10 - 12	341 719 R91	7 - 48
331 774 R1	17 - 12	334 407 R1	9 - 18	335 611 R2	10 - 12	341 922 R1	10 - 6
331 778 R11	7 - 14	334 407 R1	9 - 19	335 613 R1	10 - 10	341 923 R1	12 - 7
331 786 R91	7 - 50	334 438 R1	13 - 2	335 613 R1	10 - 12	341 985 R1	10 - 24
331 811 R3	7 - 5	334 445 R1	7 - 29	335 617 R1	10 - 10	341 986 R92	14 - 2
331 813 R1	7 - 5	334 445 R1	11 - 3	335 617 R1	10 - 12	342 002 R1	10 - 12
331 814 R1	7 - 5	334 517 R91	9 - 4	335 618 R1	10 - 10	342 004 R1	10 - 10
331 815 R1	7 - 5	334 524 R1	7 - 4	335 618 R1	10 - 12	342 004 R1	10 - 13
331 833 R2	6 - 11	334 525 R1	7 - 4	335 633 R1	10 - 10	342 005 R1	10 - 10
331 864 R1	7 - 53	334 527 R1	7 - 5	335 633 R1	10 - 12	342 005 R1	10 - 13
331 865 R1	7 - 53	334 529 R1	7 - 5	335 764 R1	10 - 49	342 006 R11	10 - 10
331 866 R1	7 - 53	334 534 R1	7 - 5	335 768 R1	10 - 49	342 006 R11	10 - 13
331 867 R1	7 - 52	334 535 R1	7 - 5	335 769 R92	10 - 48	342 007 R1	10 - 10
331 867 R1	7 - 53	334 554 R12	7 - 4	335 770 R91	10 - 48	342 007 R1	10 - 13
331 869 R1	7 - 52	334 664 R1	7 - 25	335 775 R1	10 - 48	342 008 R1	10 - 10
331 870 R2	7 - 53	334 685 R2	7 - 11	335 776 R2	10 - 48	342 008 R1	10 - 13
331 871 R2	7 - 53	334 685 R2	7 - 23	335 776 R2	10 - 50	342 010 R3	10 - 10
331 887 R2	7 - 53	334 686 R1	7 - 11	335 777 R1	10 - 48	342 010 R3	10 - 13
331 901 R13	9 - 2	334 686 R1	7 - 23	335 778 R91	10 - 48	342 011 R2	10 - 10
331 910 R91	7 - 49	334 687 R1	7 - 11	335 959 R1	17 - 17	342 011 R2	10 - 13
331 911 R21	7 - 49	334 687 R1	7 - 23	335 961 R2	17 - 17	342 014 R1	10 - 10
331 931 R2	14 - 2	334 688 R1	7 - 11	336 000 R1	7 - 4	342 014 R1	10 - 13
331 931 R2	14 - 3	334 688 R1	7 - 23	336 000 R1	14 - 14	342 015 R1	10 - 10
331 953 R2	7 - 25	334 748 R11	13 - 5	336 000 R1	14 - 15	342 015 R1	10 - 13
331 973 R91	10 - 5	334 750 R1	13 - 4	336 001 R1	7 - 5	342 016 R1	10 - 10
331 974 R1	10 - 5	334 753 R1	12 - 7	336 016 R1	7 - 4	342 016 R1	10 - 12
331 988 R1	7 - 49	334 762 R1	7 - 35	336 103 R1	7 - 16	342 018 R1	10 - 11
331 994 R1	14 - 10	334 770 R1	7 - 53	336 238 R1	9 - 17	342 019 R1	10 - 11
332 975 R94	10 - 10	334 773 R1	7 - 53	336 238 R1	9 - 19	342 019 R1	10 - 13
333 053 R1	10 - 23	334 804 R21	7 - 38	336 447 R1	7 - 53	342 020 R1	10 - 12

NUMERICAL INDEX

PART NUMBER	PAGE No.	PART NUMBER	PAGE No.	PART NUMBER	PAGE No.	PART NUMBER	PAGE No.
342 310 R31	10 - 41	347 554 R1	7 - 19	364 145 R1	14 - 6	401 345 R1	6 - 8
342 327 R1	10 - 10	347 554 R1	7 - 21	364 436 R1	7 - 25	401 345 R1	6 - 10
342 327 R1	10 - 13	347 641 R1	7 - 15	364 437 R1	12 - 16	407 010 R1	6 - 8
342 490 R1	10 - 21	347 768 R1	7 - 25	364 840 R1	10 - 12	407 010 R1	6 - 10
342 490 R1	10 - 23	347 768 R1	10 - 19	364 885 R1	10 - 8	408 076 C91	12 - 20
342 491 R11	17 - 20	347 824 R91	7 - 6	364 890 R91	6 - 2	428 606 C91	13 - 41
342 775 R91	7 - 29	347 825 R91	7 - 6	366 078 C1	11 - 8	431 755 C1	13 - 41
343 028 R91	14 - 2	347 828 R1	7 - 6	366 078 C1	11 - 10	431 756 C1	13 - 41
343 074 R12	7 - 49	347 830 R1	7 - 6	366 460 R1	8 - 6	431 757 C1	13 - 41
343 075 R12	7 - 49	347 831 R1	7 - 6	366 460 R1	8 - 30	431 758 C1	13 - 41
343 500 R91	7 - 53	347 834 R1	7 - 6	366 460 R1	11 - 6	431 760 C2	13 - 41
343 521 R1	10 - 13	347 835 R1	7 - 6	368 269 R1	7 - 35	431 761 C1	13 - 41
343 686 R1	7 - 33	347 914 R1	10 - 16	368 269 R1	10 - 12	431 763 C1	13 - 41
343 797 R91	7 - 43	350 667 R1	7 - 9	368 372 R91	7 - 10	431 764 C1	13 - 41
343 798 R91	7 - 35	350 667 R1	7 - 15	368 372 R91	7 - 48	432 398 C1	13 - 41
343 900 R1	10 - 10	350 684 R1	7 - 15	368 372 R91	7 - 49	432 399 C1	13 - 41
343 900 R1	10 - 13	350 684 R1	7 - 49	369 384 R1	7 - 28	432 418 C1	13 - 41
343 902 R1	10 - 10	350 818 R1	10 - 5	369 751 R1	7 - 17	432 453	11 - 8
343 902 R1	10 - 13	350 818 R1	10 - 10	369 908 R1	7 - 15	432 498	11 - 8
343 902 R1	10 - 13	350 818 R1	10 - 10	369 908 R1	7 - 19	432 498	11 - 10
343 905 R1	10 - 15	350 818 R1	10 - 11	369 908 R1	7 - 21	432 577	11 - 7
343 909 R1	7 - 41	350 818 R1	10 - 12	369 908 R1	7 - 21	432 577	11 - 9
343 909 R1	7 - 47	350 818 R1	10 - 13	370 943 R1	7 - 17	432 577	11 - 10
343 912 R1	10 - 60	351 210 R1	12 - 11	370 944 R1	7 - 5	442 929	12 - 20
343 912 R1	10 - 61	351 210 R1	12 - 15	373 553 R1	7 - 9	443 850	13 - 33
343 913 R1	10 - 18	354 836 R1	7 - 39	373 692 R1	4 - 5	443 874	13 - 41
343 921 R1	7 - 46	355 966 R1	7 - 15	374 790 R1	12 - 20	443 998	7 - 27
343 923 R1	7 - 46	355 966 R1	7 - 26	374 805 R1	13 - 41	444 000	7 - 42
343 926 R1	10 - 15	355 967 R1	7 - 8	376 429 R1	7 - 28	444 000	9 - 7
343 927 R1	7 - 33	356 005 R1	7 - 28	376 429 R1	10 - 11	444 094	11 - 2
343 927 R1	10 - 43	358 236 R1	7 - 10	376 429 R1	10 - 12	444 094	11 - 5
345 582 R92	8 - 5	358 236 R1	7 - 19	376 429 R1	10 - 12	444 253	8 - 61
345 582 R92	8 - 11	358 902 R1	8 - 18	376 429 R1	10 - 13	444 253	11 - 5
345 582 R92	8 - 17	358 902 R1	8 - 24	376 463 C1	14 - 11	444 476	11 - 8
345 582 R92	8 - 23	358 902 R1	8 - 43	379 181 R1	7 - 15	444 476	11 - 5
345 582 R92	8 - 29	358 902 R1	8 - 49	379 961 R1	10 - 5	444 476	11 - 10
345 582 R92	8 - 35	359 108 R2	4 - 6	380 633 R1	7 - 43	444 550	11 - 5
345 582 R92	8 - 41	359 141 R1	7 - 10	380 633 R1	10 - 62	444 576	7 - 41
345 582 R92	8 - 47	359 141 R1	7 - 21	381 256 R91	7 - 40	444 577	10 - 48
345 605 R1	7 - 5	359 894 R1	7 - 12	381 625 R1	7 - 40	444 577	10 - 51
345 606 R1	10 - 2	359 894 R1	7 - 19	382 306 R1	12 - 11	444 612	10 - 10
345 625 R11	9 - 7	359 894 R1	7 - 20	382 306 R1	12 - 15	444 612	10 - 12
345 625 R11	9 - 9	359 894 R1	7 - 22	382 432 R1	7 - 39	444 613	7 - 16
345 639 R1	9 - 7	360 610 R1	7 - 54	382 432 R1	7 - 53	444 613	7 - 26
345 639 R1	9 - 9	361 656 C1	6 - 4	383 260 R1	7 - 5	444 613	7 - 43
345 640 R1	9 - 7	362 120 R1	8 - 6	383 296 R1	13 - 7	444 613	7 - 47
345 640 R1	9 - 9	362 120 R1	8 - 7	383 878 R1	10 - 13	444 614	7 - 29
345 667 R2	7 - 49	362 120 R1	8 - 12	384 377 R1	14 - 11	444 619	7 - 41
345 668 R2	7 - 49	362 120 R1	8 - 13	384 554 C1	8 - 49	444 654	9 - 7
345 836 R1	7 - 15	362 120 R1	8 - 18	384 554 R1	8 - 25	444 654	9 - 9
345 836 R1	7 - 21	362 120 R1	8 - 19	384 558 R1	8 - 61	444 654	10 - 49
345 837 R1	7 - 15	362 120 R1	8 - 24	384 558 R1	8 - 59	444 655	7 - 9
345 837 R1	7 - 21	362 120 R1	8 - 25	384 559 R1	12 - 19	444 691	7 - 36
345 907 R2	13 - 8	362 120 R1	8 - 31	389 578 R1	7 - 5	444 692	7 - 41
345 908 R51	13 - 8	362 120 R1	8 - 36	392 953 R1	7 - 40	444 824	10 - 15
345 910 R41	13 - 8	362 120 R1	8 - 37	394 430 C91	13 - 41	444 873	7 - 14
345 916 R11	13 - 8	362 120 R1	8 - 43	398 305 C1	12 - 19	445 073	13 - 41
345 971 R2	9 - 17	362 120 R1	8 - 49	398 305 C1	12 - 21	445 671	17 - 16
345 971 R2	9 - 19	362 120 R1	8 - 56	398 691 R91	10 - 8	445 684	7 - 39
345 974 R2	9 - 7	362 121 R1	8 - 56	399 419 R1	13 - 27	445 684	10 - 5
345 974 R2	9 - 9	362 666 R1	11 - 6	399 657 R1	8 - 7	452 971 R1	4 - 3
346 019 R1	11 - 10	363 441 R1	8 - 36	399 657 R1	8 - 13	453 284	8 - 52
346 183 R92	10 - 12	363 444 R1	8 - 7	399 657 R1	8 - 31	453 453 C1	8 - 24
346 509 R1	7 - 16	363 444 R1	8 - 12	399 657 R1	8 - 37	453 453 C1	8 - 48
346 509 R1	7 - 36	363 444 R1	8 - 13	399 657 R1	11 - 6	453 453 C1	12 - 21
346 737 R1	11 - 6	363 444 R1	8 - 30	400 061	13 - 25	453 787	8 - 51
346 822 R1	7 - 39	363 444 R1	8 - 31	400 114	13 - 25	454 104	12 - 7
347 070 R1	10 - 13	363 444 R1	8 - 36	400 115	13 - 25	454 112	7 - 43
347 089 R1	7 - 33	363 444 R1	8 - 43	400 121	13 - 25	454 112	7 - 47
347 090 R1	7 - 33	363 444 R1	8 - 49	400 141	13 - 25	454 522 R1	10 - 48
347 243 R1	7 - 16	363 660 R1	8 - 30	400 142	13 - 25	454 522 R1	10 - 50
347 243 R1	7 - 36	363 660 R1	8 - 36	400 148	13 - 25	454 522 R1	17 - 16
347 297 R1	7 - 19	363 660 R1	8 - 43	400 149	13 - 25	455 332	12 - 11
347 297 R1	7 - 21	363 660 R1	8 - 49	400 151	13 - 25	455 332	12 - 16
347 392 R1	7 - 4	363 660 R1	8 - 59	400 175	13 - 25	468 339 R1	7 - 51
347 518 R91	6 - 2	363 660 R1	11 - 6	400 176	13 - 25	471 633 R1	7 - 40

NUMERICAL INDEX

PART NUMBER	PAGE No.	PART NUMBER	PAGE No.	PART NUMBER	PAGE No.	PART NUMBER	PAGE No.
472 755 R1	7 - 44	603 909 C1	13 - 7	606 930 C1	7 - 26	609 850 C11	4 - 3
472 755 R1	7 - 47	603 912 C1	13 - 7	606 936 C1	14 - 10	609 851 C11	4 - 3
481 352 R1	10 - 53	603 913 C1	13 - 8	606 936 C1	14 - 12	609 859 C3	7 - 36
481 352 R1	10 - 54	603 937 C1	9 - 10	606 999 C1	11 - 2	609 954 C21	9 - 7
481 352 R1	10 - 57	603 937 C1	9 - 11	606 999 C1	11 - 5	609 955 C22	9 - 7
481 540 R1	9 - 2	604 012 C1	14 - 17	607 821 C21	13 - 4	609 995 C92	6 - 6
524 443 R1	10 - 7	604 013 C1	14 - 17	607 895 R1	7 - 5	610 000 C1	7 - 26
538 150 R1	12 - 4	604 014 C1	14 - 17	607 907 C2	14 - 10	610 040 C1	11 - 3
547 495 R1	2 - 2	604 021 C1	2 - 3	607 915 C1	14 - 14	610 040 C1	11 - 5
562 008 R1	13 - 2	604 150 C21	13 - 8	607 931 C2	14 - 18	610 203 C1	7 - 7
562 008 R1	13 - 3	604 151 C1	10 - 19	608 023 C91	9 - 13	610 204 C1	7 - 7
562 025 R1	10 - 5	604 174 C1	7 - 5	608 023 C91	9 - 14	610 213 C91	13 - 27
565 014 R1	7 - 44	604 198 C1	4 - 6	608 024	9 - 13	610 215 C91	7 - 6
565 014 R1	7 - 47	604 388 C91	8 - 6	608 024 C91	9 - 14	610 216 C1	7 - 7
570 828 R1	7 - 35	604 388 C91	8 - 7	608 027 C91	9 - 13	610 217 C1	7 - 7
574 018 R1	10 - 39	604 388 C91	8 - 12	608 027 C91	9 - 14	610 218 C1	7 - 7
574 069 R1	7 - 9	604 388 C91	8 - 18	608 028 C91	9 - 13	610 219 C1	7 - 7
574 069 R1	7 - 15	604 388 C91	8 - 19	608 028 C91	9 - 14	610 220 C91	7 - 7
584 268 R91	7 - 18	604 388 C91	8 - 25	608 043 C2	17 - 8	610 221 C1	7 - 7
584 268 R91	7 - 20	604 388 C91	8 - 30	608 053 C1	17 - 7	610 228 C2	10 - 7
584 269 R1	7 - 18	604 388 C91	8 - 31	608 054 C2	17 - 8	610 247 C91	10 - 7
584 269 R1	7 - 20	604 388 C91	8 - 37	608 055 C2	17 - 8	610 256 C1	7 - 32
585 694 R1	7 - 27	604 388 C91	8 - 43	608 072 C91	17 - 7	610 288 C92	11 - 2
590 954 R91	7 - 6	604 388 C91	8 - 49	608 073 C91	17 - 8	610 288 C92	11 - 6
600 666 C1	17 - 17	604 666 C3	7 - 21	608 094 C1	9 - 13	610 411 C1	7 - 10
600 671 C1	17 - 2	604 667 C1	7 - 21	608 094 C1	9 - 14	610 411 C1	7 - 15
600 859 C1	6 - 3	604 741 C92	7 - 15	608 097 C91	9 - 14	610 411 C1	7 - 19
600 859 C1	6 - 4	604 743 C91	7 - 33	608 098 C91	9 - 14	610 415 C1	7 - 11
600 859 C1	10 - 62	604 931 C1	14 - 6	608 100 C11	17 - 10	610 415 C1	7 - 15
600 865 C1	10 - 62	604 932 C1	14 - 6	608 172 C1	17 - 6	610 415 C1	7 - 23
602 013 C1	10 - 11	604 933 C2	14 - 6	608 172 C1	17 - 8	610 472 C1	4 - 8
602 013 C1	10 - 13	604 977 C1	9 - 2	608 350 C1	10 - 36	610 473 C2	4 - 7
602 014 C1	10 - 13	605 031 C1	10 - 10	608 351 C1	10 - 36	610 548 C91	6 - 2
602 057 C11	10 - 21	605 031 C1	10 - 13	608 352 C91	10 - 27	610 702 C92	7 - 16
602 057 C11	10 - 23	605 049 C1	10 - 48	608 352 C91	10 - 31	610 703 C1	7 - 16
602 159 C91	10 - 23	605 058 C91	10 - 50	608 353 C91	10 - 27	610 712 C92	7 - 5
602 183 C1	10 - 62	605 059 C1	10 - 50	608 353 C91	10 - 31	610 713 C1	7 - 29
602 249 C1	10 - 44	605 261 C1	10 - 9	608 354 C1	10 - 27	610 713 C1	11 - 3
602 449 C1	10 - 47	605 605 C2	10 - 35	608 354 C1	10 - 31	610 713 C1	11 - 5
602 800 C92	10 - 48	605 605 C2	10 - 39	608 354 C1	10 - 35	610 751 C1	7 - 19
602 802 C12	10 - 21	605 609 C1	10 - 32	608 359 C1	10 - 27	610 751 C1	7 - 21
602 802 C12	10 - 23	605 609 C1	10 - 35	608 359 C1	10 - 31	610 767 C92	7 - 18
602 832 C1	10 - 44	605 632 C2	17 - 10	608 360 C1	10 - 27	610 767 C92	7 - 20
602 833 C92	10 - 44	605 996 C1	17 - 7	608 360 C1	10 - 31	610 768 C93	7 - 19
602 834 C91	10 - 44	606 001 C91	6 - 2	608 366 C92	10 - 9	610 768 C93	7 - 21
602 881 C1	10 - 13	606 049 C1	11 - 3	608 372 C91	10 - 27	610 769 C1	7 - 18
603 155 C1	7 - 11	606 049 C1	11 - 5	608 372 C91	10 - 31	610 769 C1	7 - 20
603 156 C1	7 - 11	606 132 C91	14 - 10	608 373 C91	10 - 27	610 770 C1	7 - 19
603 158 C1	7 - 12	606 132 C91	14 - 12	608 373 C91	10 - 31	610 770 C1	7 - 20
603 159 C1	7 - 12	606 161 C91	7 - 10	608 868 C1	6 - 5	610 772 C91	7 - 19
603 160 C11	7 - 10	606 175 C91	10 - 24	608 868 C1	7 - 47	610 772 C91	7 - 20
603 161 C1	7 - 10	606 210 C1	7 - 39	609 513 C1	7 - 19	610 814 C1	7 - 40
603 162 C1	7 - 10	606 298 C91	8 - 51	609 579 C2	14 - 18	610 850 C91	10 - 24
603 164 C11	7 - 8	606 299 C91	8 - 51	609 579 C2	14 - 19	610 867 C92	7 - 51
603 205 C1	7 - 12	606 419 C1	10 - 18	609 599 C91	14 - 9	611 152 C11	4 - 7
603 206 C1	7 - 12	606 506 C1	7 - 16	609 600 C93	14 - 9	611 153 C11	4 - 8
603 227 C1	7 - 11	606 512 C1	7 - 16	609 602 C1	14 - 9	611 154 C11	4 - 8
603 229 C1	7 - 12	606 512 C1	7 - 36	609 604 C1	14 - 12	611 207 C2	9 - 7
603 230 C92	7 - 5	606 625 C91	14 - 10	609 605 C1	14 - 12	611 218 C92	9 - 7
603 279 C1	14 - 5	606 625 C91	14 - 12	609 606 C3	14 - 12	611 222 C1	9 - 7
603 281 C1	9 - 2	606 819 C1	4 - 7	609 609 C1	14 - 14	611 222 C1	9 - 9
603 282 C1	14 - 5	606 819 C1	7 - 35	609 609 C1	14 - 16	611 241 C1	7 - 53
603 289 C93	2 - 2	606 845 C1	7 - 2	609 615 C1	14 - 13	611 247 C1	7 - 5
603 338 C2	7 - 5	606 845 C1	7 - 26	609 616 C1	14 - 13	611 253 C1	7 - 19
603 467 C91	8 - 7	606 845 C1	7 - 30	609 616 C1	14 - 15	611 254 C1	7 - 21
603 467 C91	8 - 32	606 845 C1	7 - 35	609 617 C1	14 - 13	611 295 C2	14 - 19
603 475 C1	4 - 6	606 845 C1	7 - 44	609 617 C1	14 - 15	611 394 C2	14 - 15
603 478 C91	8 - 2	606 845 C1	7 - 47	609 618 C1	14 - 13	611 409 C1	12 - 7
603 481 C91	8 - 2	606 845 C1	12 - 6	609 624 C91	14 - 5	611 454 C91	7 - 5
603 507 C1	10 - 58	606 858 C91	10 - 24	609 683 C1	6 - 8	611 643 C91	17 - 15
603 517 C1	10 - 44	606 885 C1	7 - 25	609 683 C1	6 - 11	611 643 C91	17 - 16
603 633 C1	7 - 33	606 885 C1	7 - 26	609 745 C32	13 - 5	611 644 C91	17 - 15
603 867 C1	12 - 6	606 885 C1	11 - 3	609 746 C22	13 - 5	611 646 C91	17 - 15
603 907 C1	13 - 7	606 885 C1	11 - 5	609 782 C91	2 - 5	611 655 C91	17 - 7
603 908 C91	13 - 7	606 930 C1	7 - 2	609 784 C1	2 - 5	611 656 C91	17 - 7

NUMERICAL INDEX

PART NUMBER	PAGE No.	PART NUMBER	PAGE No.	PART NUMBER	PAGE No.	PART NUMBER	PAGE No.
611 676 C91	10 - 35	616 282 C1	6 - 31	619 670 C1	7 - 43	623 401 C93	10 - 19
611 676 C91	10 - 39	616 282 C1	8 - 37	619 674 C91	11 - 7	623 485 C1	17 - 15
611 677 C91	10 - 32	616 282 C1	8 - 43	619 692 C92	7 - 40	623 823 C92	10 - 15
611 677 C91	10 - 35	616 282 C1	8 - 49	619 717 C1	7 - 43	623 987 C1	17 - 5
611 677 C91	10 - 39	616 282 C1	10 - 53	619 810 C1	7 - 40	623 988 C1	17 - 4
611 740 C11	17 - 11	616 282 C1	10 - 57	619 812 C1	7 - 40	623 989 C1	17 - 6
612 354 C1	10 - 53	616 282 C1	11 - 5	619 814 C1	7 - 40	623 989 C1	17 - 7
612 354 C1	10 - 54	616 295 C1	6 - 6	619 814 C1	7 - 41	623 990 C1	17 - 7
612 354 C1	10 - 57	616 301 C1	7 - 14	619 815 C1	7 - 40	623 991 C1	17 - 2
612 508 C11	14 - 17	616 302 C1	7 - 14	619 825 C1	7 - 44	624 207 C1	7 - 38
612 509 C1	14 - 17	616 302 C1	7 - 15	619 825 C1	7 - 47	624 211 C1	7 - 29
612 509 C2	14 - 17	616 456 C11	7 - 35	620 048 C1	7 - 25	624 213 C91	7 - 44
612 538 C1	14 - 18	616 457 C11	7 - 36	620 086 C2	6 - 10	624 217 C91	7 - 29
612 538 C1	14 - 19	616 458 C1	7 - 35	620 119 C2	14 - 12	624 219 C91	7 - 29
612 539 C1	14 - 15	616 459 C11	7 - 35	620 120 C1	14 - 12	624 231 C1	8 - 56
612 576 C1	7 - 13	616 460 C1	7 - 10	620 121 C2	14 - 15	624 336 C1	11 - 8
612 577 C31	9 - 7	616 462 C1	14 - 7	620 123 C1	14 - 15	624 336 C1	11 - 10
612 577 C31	9 - 9	616 462 C1	14 - 8	620 300 C1	10 - 19	624 355 C1	7 - 28
612 578 C1	9 - 7	616 514 C1	10 - 9	620 318 C91	14 - 14	624 359 C2	8 - 55
612 578 C1	9 - 9	616 694 C1	10 - 19	620 319 C91	14 - 14	624 397 C2	8 - 5
612 579 C1	9 - 7	617 007 C1	7 - 28	620 321 C1	10 - 6	624 397 C2	8 - 11
612 579 C1	9 - 9	617 016 C1	7 - 28	620 322 C91	10 - 5	624 397 C2	8 - 17
612 580 C91	9 - 7	617 018 C1	7 - 28	620 368 C1	7 - 26	624 397 C2	8 - 23
612 582 C1	9 - 7	617 020 C1	7 - 28	620 369 C1	7 - 26	624 397 C2	8 - 29
612 684 C1	7 - 53	617 046 C1	7 - 28	620 371 C91	7 - 25	624 397 C2	8 - 35
612 685 C11	7 - 53	617 051 C1	7 - 28	620 373 C91	7 - 25	624 397 C2	8 - 41
612 709 C1	14 - 2	617 068 C1	7 - 25	620 375 C91	7 - 25	624 397 C2	8 - 47
612 710 R1	14 - 3	617 112 C1	7 - 25	620 377 C91	7 - 26	624 416 C1	6 - 11
612 727 C11	7 - 48	617 113 C1	7 - 25	620 379 C91	7 - 25	624 451 C1	7 - 50
612 728 C11	7 - 48	617 239 C1	7 - 17	620 381 C91	7 - 25	624 452 C1	7 - 50
612 733 C2	7 - 50	617 240 C2	7 - 17	620 386 C91	7 - 26	624 453 C1	7 - 50
612 783 C95	7 - 52	617 241 C1	7 - 17	620 387 C1	7 - 26	624 455 C91	7 - 50
613 810 C1	10 - 7	617 242 C1	7 - 17	620 388 C1	7 - 38	624 456 C1	7 - 50
614 138 C2	10 - 41	617 256 C1	7 - 25	620 415 C1	6 - 6	624 465 C1	14 - 13
614 138 C2	10 - 43	617 259 C1	8 - 56	620 416 C1	6 - 6	624 478 C1	12 - 7
614 236 C1	10 - 44	617 259 C1	11 - 3	620 455 C1	14 - 18	624 498 C91	7 - 52
614 237 C1	10 - 44	617 259 C1	11 - 5	620 476 C91	9 - 17	624 519 C91	13 - 5
614 238 C91	10 - 44	617 522 C1	7 - 28	620 720 C91	17 - 19	624 558 C1	9 - 2
614 238 C91	10 - 45	617 937 R1	7 - 50	620 911 C1	9 - 10	624 693 C2	7 - 25
614 242 C1	10 - 44	618 081 C1	10 - 41	620 912 C2	9 - 10	624 702 C3	12 - 11
614 242 C1	10 - 45	618 081 C1	10 - 43	620 949 C92	9 - 10	624 702 C3	12 - 15
614 244 C1	10 - 45	618 094 C1	10 - 39	621 771 C91	8 - 30	624 703 C1	12 - 15
614 245 C1	10 - 45	618 159 C1	10 - 62	621 771 C91	8 - 36	624 707 C91	12 - 11
614 248 C1	10 - 45	618 160 C1	10 - 62	621 771 C91	8 - 42	624 707 C91	12 - 15
614 249 C91	10 - 45	618 243 C1	17 - 4	621 771 C91	8 - 48	624 711 C2	12 - 11
614 253 C91	10 - 44	618 573 C1	9 - 10	621 784 R1	13 - 19	624 711 C2	12 - 15
614 254 C91	10 - 45	618 574 C1	9 - 11	621 834 C1	8 - 5	624 722 C1	12 - 11
614 720 C1	10 - 60	618 582 C1	10 - 50	621 834 C1	8 - 12	624 722 C1	12 - 15
615 029 R1	7 - 6	618 688 C2	10 - 51	621 834 C1	8 - 18	624 760 C1	14 - 6
615 307 C1	7 - 25	618 688 C2	12 - 7	621 834 C1	8 - 24	624 839 C91	14 - 14
615 443 C1	7 - 40	618 825 C2	12 - 8	621 834 C1	8 - 30	624 840 C91	14 - 14
615 445 C1	7 - 40	618 826 C2	12 - 8	621 834 C1	8 - 48	624 844 C3	15 - 2
615 446 C1	7 - 40	619 019 C1	7 - 35	622 317 C2	7 - 25	624 845 C3	15 - 2
615 447 C2	7 - 40	619 020 C1	7 - 35	622 535 C2	13 - 3	624 848 C1	15 - 3
615 850 C1	7 - 15	619 200 C1	4 - 3	622 539 C1	13 - 2	624 996 C91	4 - 7
615 851 C1	7 - 15	619 214 C1	7 - 39	622 539 C1	13 - 3	624 998 C91	7 - 29
616 121 C41	7 - 52	619 279 C1	7 - 39	622 541 C1	13 - 2	625 205 C1	7 - 19
616 125 C3	7 - 52	619 405 C1	7 - 5	622 663 C1	7 - 40	625 205 C1	7 - 21
616 166 C1	13 - 9	619 405 C1	10 - 23	622 663 C2	7 - 41	625 206 C1	7 - 19
616 177 C1	14 - 17	619 405 C1	17 - 20	622 750 C1	2 - 3	625 206 C1	7 - 21
616 184 C2	14 - 17	619 559 C1	17 - 5	622 751 C1	12 - 19	625 322 C1	10 - 7
616 184 C2	14 - 19	619 560 C1	17 - 5	622 751 C1	12 - 21	625 442 C1	10 - 4
616 203 C1	15 - 2	619 561 C1	17 - 8	622 759 C1	13 - 3	625 451 C1	10 - 4
616 205 C1	15 - 2	619 562 C1	17 - 8	622 962 C1	8 - 49	625 452 C91	10 - 3
616 226 C1	15 - 3	619 563 C1	17 - 3	622 963 C1	8 - 12	625 453 C1	10 - 3
616 235 C1	9 - 7	619 564 C1	17 - 3	622 963 C1	8 - 36	625 455 C1	10 - 3
616 235 C1	9 - 9	619 581 C91	2 - 7	622 965 C1	8 - 24	625 456 C1	10 - 3
616 236 C1	9 - 7	619 586 C91	7 - 10	622 965 C1	8 - 25	625 457 C91	10 - 3
616 237 C1	9 - 7	619 586 C91	7 - 19	622 965 C1	8 - 49	625 459 C91	10 - 3
616 269 C11	7 - 28	619 622 C1	10 - 27	622 966 C1	8 - 25	625 460 C1	10 - 3
616 270 C1	7 - 25	619 622 C1	10 - 31	623 160 C1	10 - 27	625 461 C1	10 - 3
616 282 C1	8 - 7	619 622 C1	10 - 35	623 160 C1	10 - 32	625 462 C91	10 - 3
616 282 C1	8 - 13	619 624 C1	10 - 27	623 161 C1	10 - 28	625 463 C1	10 - 3
616 282 C1	8 - 19	619 624 C1	10 - 31	623 161 C1	10 - 32	625 465 C1	10 - 3
616 282 C1	8 - 25	619 624 C1	10 - 35	623 292 C1	10 - 45	625 742 C1	14 - 11

NUMERICAL INDEX

PART NUMBER	PAGE No.	PART NUMBER	PAGE No.	PART NUMBER	PAGE No.	PART NUMBER	PAGE No.
625 776 C1	10 - 6	628 228 C91	13 - 7	629 698 C91	7 - 15	632 333 C91	10 - 31
625 800 C94	7 - 18	628 229 C91	13 - 8	629 704 C92	12 - 7	632 333 C91	10 - 35
625 801 C92	7 - 20	628 230 C91	12 - 11	629 705 C92	12 - 7	632 334 C91	10 - 27
625 821 C1	7 - 19	628 230 C91	12 - 15	629 706 C91	7 - 54	632 334 C91	10 - 31
625 821 C1	7 - 21	628 231 C92	12 - 15	629 707 C91	13 - 10	632 334 C91	10 - 35
625 854 C1	7 - 33	628 232 C92	12 - 12	629 732 C91	10 - 57	632 335 C91	10 - 28
625 857 C1	7 - 32	628 232 C92	12 - 16	629 746 C91	7 - 54	632 335 C91	10 - 32
626 001 C1	17 - 2	628 243 C91	6 - 3	629 817 C1	10 - 57	632 335 C91	10 - 36
626 002 C1	17 - 2	628 247 C92	8 - 8	629 994 C1	8 - 59	632 336 C91	10 - 28
626 003 C1	17 - 4	628 247 C92	8 - 20	629 995 C91	8 - 61	632 336 C91	10 - 32
626 003 C1	17 - 6	628 247 C92	8 - 32	629 997 C91	8 - 59	632 336 C91	10 - 36
626 085 C1	10 - 18	628 247 C92	8 - 44	630 349 C1	6 - 3	632 461 C91	13 - 22
626 271 C1	2 - 3	628 252 C91	7 - 30	630 385 C91	7 - 2	632 462 C91	8 - 21
627 092 C2	7 - 19	628 255 C91	7 - 14	630 386 C91	7 - 2	632 462 C91	8 - 45
627 092 C2	7 - 21	628 260 C91	7 - 15	630 388 C1	7 - 2	634 251 C1	10 - 60
627 138 C92	7 - 19	628 262 C91	13 - 10	630 416 C1	10 - 7	634 251 C1	10 - 61
627 139 C91	7 - 21	628 289 C1	7 - 54	630 417 C1	10 - 7	634 349 C1	13 - 42
627 363 C91	7 - 19	628 387 C1	4 - 8	630 489 C1	6 - 7	634 380 C1	6 - 9
627 363 C91	7 - 21	628 398 C91	17 - 8	630 489 C1	6 - 9	634 653 C1	6 - 7
627 364 C1	7 - 19	628 412 C91	12 - 7	630 495 C1	6 - 7	634 653 C1	6 - 9
627 364 C1	7 - 21	628 413 C91	12 - 7	630 495 C1	6 - 9	634 801 C1	13 - 42
627 365 C1	7 - 18	628 440 C91	10 - 53	630 691 C1	12 - 3	634 802 C91	13 - 42
627 365 C1	7 - 20	628 460 C1	13 - 15	630 714 C1	6 - 9	634 858 C1	12 - 3
627 366 C1	7 - 18	628 460 C1	13 - 17	630 715 C1	6 - 9	634 859 C1	12 - 3
627 366 C1	7 - 20	628 461 C1	13 - 15	630 717 C1	6 - 7	635 044 C91	13 - 10
627 367 C1	7 - 18	628 461 C1	13 - 17	630 717 C1	6 - 9	635 046 C91	13 - 10
627 367 C1	7 - 20	628 462 C1	13 - 14	630 718 C1	6 - 7	635 047 C91	13 - 11
627 369 C91	7 - 21	628 463 C92	13 - 2	630 718 C1	6 - 9	635 335 C91	17 - 25
627 370 C1	7 - 20	628 492 C91	9 - 18	630 718 C1	6 - 9	635 336 C91	17 - 27
627 396 C1	7 - 33	629 256 C1	14 - 14	630 722 C91	12 - 3	635 336 C91	17 - 27
627 442 C1	7 - 35	629 256 C1	14 - 15	630 770 C1	7 - 43	635 484 C91	17 - 27
627 657 C1	10 - 7	629 268 C91	6 - 6	630 823 C91	1 - 3	635 576 C1	13 - 27
627 660 C1	10 - 7	629 274 C1	10 - 16	630 824 C91	1 - 3	635 577 C1	8 - 12
627 661 C1	10 - 7	629 284 C1	10 - 50	631 042 C91	7 - 2	635 577 C1	8 - 18
627 666 C2	7 - 19	629 300 C92	2 - 2	631 143 C1	7 - 40	635 577 C1	8 - 36
627 666 C2	7 - 21	629 355 C1	7 - 27	631 143 C1	7 - 41	635 577 C1	8 - 42
627 667 C2	7 - 19	629 389 C92	13 - 10	631 144 C3	7 - 40	635 577 C1	13 - 27
627 667 C2	7 - 21	629 395 C1	13 - 5	631 145 C1	7 - 40	635 578 C1	8 - 12
627 668 C2	7 - 19	629 402 C1	2 - 3	631 145 C1	7 - 41	635 578 C1	8 - 18
627 669 C2	7 - 19	629 427 C91	9 - 15	631 170 C91	14 - 11	635 578 C1	8 - 36
627 669 C2	7 - 21	629 431 C91	15 - 3	631 255 R1	7 - 33	635 578 C1	8 - 42
627 670 C1	8 - 24	629 432 C91	15 - 3	631 286 C1	10 - 3	635 578 C1	13 - 27
627 670 C1	8 - 48	629 450 C91	13 - 9	631 290 C91	10 - 4	636 114 C1	2 - 5
627 670 C1	12 - 21	629 453 C91	17 - 5	631 291 C1	10 - 3	636 131 C91	10 - 17
627 708 C91	10 - 8	629 454 C91	17 - 2	631 295 C1	10 - 3	636 140 C91	10 - 59
627 709 C1	10 - 8	629 454 C91	17 - 2	631 296 C1	10 - 3	636 143 C91	10 - 60
627 710 C1	10 - 8	629 456 C91	2 - 5	631 298 C1	10 - 4	636 143 C91	10 - 61
627 711 C1	10 - 8	629 458 C91	12 - 12	631 299 C1	10 - 4	636 149 C91	10 - 18
627 867 C1	7 - 33	629 461 C91	9 - 3	631 304 C91	10 - 3	636 198 C91	13 - 16
627 868 C1	7 - 32	629 471 C91	6 - 5	631 304 C91	10 - 3	636 225 C91	13 - 16
627 869 C1	7 - 32	629 474 C91	14 - 5	631 304 C91	10 - 3	636 235 C91	10 - 6
627 870 C3	7 - 32	629 476 C91	14 - 5	631 449 R1	10 - 50	636 235 C91	10 - 6
627 871 C1	7 - 33	629 481 C91	9 - 4	631 449 R1	10 - 50	636 584 C1	15 - 3
627 872 C1	7 - 32	629 483 C91	12 - 19	631 530 R1	4 - 3	636 585 C91	15 - 3
627 880 C1	7 - 33	629 486 C92	8 - 7	631 530 R1	4 - 4	636 587 C1	15 - 3
627 882 C1	7 - 33	629 486 C92	8 - 20	631 530 R1	7 - 10	636 589 C1	15 - 3
627 934 C1	12 - 3	629 486 C92	8 - 26	631 632 C91	7 - 52	636 590 C91	15 - 3
627 935 C1	12 - 3	629 486 C92	8 - 33	631 634 C91	7 - 12	636 593 C91	15 - 2
627 936 C91	12 - 3	629 486 C92	8 - 44	631 634 C91	7 - 52	636 595 C1	15 - 3
627 942 C91	6 - 7	629 493 C91	12 - 17	631 969 C1	13 - 33	636 597 C91	15 - 2
627 942 C91	6 - 9	629 496 C91	15 - 3	631 974 C1	13 - 33	636 598 C91	15 - 3
627 969 C1	7 - 15	629 498 C91	15 - 3	631 991 C91	13 - 39	636 599 C91	15 - 2
627 969 C1	7 - 19	629 550 C1	9 - 7	631 993 C1	13 - 35	636 599 C91	15 - 2
627 969 C1	7 - 21	629 550 C1	9 - 9	632 119 C91	8 - 61	636 600 C91	15 - 3
628 055 C92	7 - 51	629 554 C91	1 - 3	632 161 C91	12 - 2	636 621 C1	14 - 9
628 056 C92	7 - 52	629 576 C91	13 - 3	632 168 C91	1 - 3	636 622 C1	14 - 9
628 073 C1	2 - 3	629 577 C91	13 - 14	632 189 C91	9 - 15	636 623 C1	14 - 10
628 156 C91	12 - 8	629 578 C91	13 - 14	632 214 C91	6 - 9	636 624 C1	14 - 10
628 166 C91	12 - 5	629 579 C91	13 - 14	632 277 C91	9 - 11	636 650 C1	14 - 10
628 211 C91	7 - 26	629 580 C91	13 - 14	632 304 C91	8 - 8	636 780 C91	11 - 3
628 212 C91	7 - 26	629 583 C1	13 - 15	632 304 C91	8 - 20	636 795 C91	12 - 2
628 225 C91	7 - 5	629 583 C1	13 - 17	632 304 C91	8 - 26	636 797 C91	1 - 3
628 226 C91	7 - 5	629 584 C1	13 - 15	632 304 C91	8 - 33	636 881 C2	14 - 11
628 227 C91	4 - 3	629 584 C1	13 - 17	632 304 C91	8 - 44	636 884 C1	14 - 11
		629 584 C1	13 - 15	632 317 C1	8 - 50	636 885 C1	14 - 11
		629 678 C91	10 - 45	632 317 C1	8 - 13	636 886 C1	14 - 11
				632 317 C1	8 - 37	636 887 C1	14 - 11
				632 333 C91	10 - 27	636 888 C1	13 - 9

NUMERICAL INDEX

PART NUMBER	PAGE No.	PART NUMBER	PAGE No.	PART NUMBER	PAGE No.	PART NUMBER	PAGE No.
637 358 C2	6 - 3	646 568 C1	10 - 57	650 382 C91	12 - 8	650 887 C1	9 - 19
637 358 C2	6 - 4	646 569 C1	10 - 57	650 407 C1	8 - 18	650 915 C1	12 - 19
637 409 C91	7 - 33	646 977 C1	10 - 57	650 407 C1	8 - 42	650 916 C91	11 - 3
637 440 C1	7 - 41	646 977 C2	10 - 57	650 424 C2	9 - 3	650 916 C91	11 - 5
637 463 C91	7 - 39	646 988 C1	13 - 11	650 429 C92	12 - 5	650 918 C91	11 - 3
637 464 C1	7 - 39	646 991 C1	13 - 11	650 443 C92	12 - 7	650 918 C91	11 - 5
637 467 C91	7 - 33	646 992 C1	13 - 11	650 507 C1	7 - 27	650 920 C91	11 - 3
637 470 C91	10 - 7	647 046 C92	13 - 10	650 515 C1	8 - 25	650 920 C91	11 - 5
637 479 C1	6 - 7	647 250 C91	13 - 10	650 515 C1	8 - 32	650 922 C91	11 - 3
637 480 C1	6 - 7	647 610 C1	13 - 22	650 515 C1	8 - 38	650 925 C91	11 - 3
641 207 R1	7 - 32	647 663 C91	13 - 33	650 515 C1	8 - 44	650 925 C91	11 - 5
644 318 C1	13 - 36	647 664 C91	13 - 35	650 515 C1	8 - 50	650 937 C1	8 - 51
644 319 C1	13 - 35	647 667 C91	13 - 35	650 518 C1	7 - 25	650 950 C1	14 - 5
645 752 C1	13 - 12	647 668 C91	13 - 35	650 527 C1	7 - 25	650 951 C1	14 - 5
645 753 C1	13 - 12	647 670 C91	13 - 39	650 546 R2	10 - 57	650 952 C1	14 - 5
645 756 C1	13 - 11	647 672 C1	13 - 33	650 548 C3	11 - 7	651 026 C1	6 - 6
645 761 C1	10 - 41	647 673 C1	13 - 31	650 553 C2	11 - 8	651 027 C1	6 - 6
645 762 C2	10 - 41	647 677 C91	13 - 36	650 553 C2	11 - 10	651 037 C1	6 - 8
645 783 C1	10 - 27	647 678 C91	13 - 34	650 621 C2	11 - 8	651 037 C1	6 - 10
645 783 C1	10 - 31	647 815 C1	13 - 31	650 621 C2	11 - 10	651 038 C1	6 - 8
645 784 C1	10 - 28	647 817 C1	13 - 31	650 630 C1	9 - 3	651 038 C1	6 - 10
645 784 C1	10 - 32	647 819 C91	13 - 31	650 632 C1	8 - 5	651 046 C1	12 - 2
645 785 C1	10 - 28	647 821 C1	13 - 35	650 632 C1	8 - 11	651 050 C1	6 - 8
645 785 C1	10 - 32	647 824 C1	13 - 35	650 632 C1	8 - 17	651 050 C1	6 - 10
645 786 C91	10 - 28	647 825 C1	13 - 35	650 632 C1	8 - 23	651 055 C2	6 - 8
645 787 C91	10 - 28	647 826 C1	13 - 33	650 632 C1	8 - 29	651 055 C2	6 - 10
645 788 C1	10 - 27	647 832 C91	13 - 33	650 632 C1	8 - 35	651 060 C2	12 - 11
645 788 C1	10 - 31	647 841 C1	13 - 33	650 632 C1	8 - 41	651 060 C2	12 - 15
645 789 C1	10 - 27	647 844 C1	13 - 35	650 632 C1	8 - 47	651 065 C1	12 - 11
645 789 C1	10 - 31	647 851 C1	13 - 33	650 638 C1	8 - 23	651 068 C1	13 - 2
645 790 C1	10 - 27	647 854 C1	13 - 29	650 638 C1	8 - 47	651 069 C2	13 - 2
645 790 C1	10 - 31	647 854 C1	13 - 34	650 649 C1	12 - 19	651 076 C1	13 - 2
645 791 C1	10 - 27	647 860 C1	13 - 34	650 650 C1	12 - 19	651 081 C1	12 - 11
645 791 C1	10 - 31	647 861 C1	13 - 34	650 651 C1	8 - 5	651 081 C1	12 - 15
645 793 C1	10 - 28	647 864 C1	13 - 33	650 651 C1	8 - 12	651 084 C1	12 - 16
645 793 C1	10 - 32	647 865 C1	13 - 33	650 651 C1	8 - 18	651 088 C1	13 - 4
645 795 C1	10 - 32	647 869 C1	13 - 33	650 651 C1	8 - 23	651 088 C1	13 - 4
645 796 C1	10 - 32	647 878 C1	13 - 35	650 651 C1	8 - 30	651 089 C1	13 - 4
645 796 C1	10 - 32	647 882 C1	13 - 33	650 651 C1	8 - 36	651 090 C1	13 - 4
645 877 C1	10 - 57	647 882 C1	13 - 33	650 651 C1	8 - 36	651 091 C1	12 - 11
645 880 C1	10 - 57	647 895 C1	13 - 27	650 651 C1	8 - 42	651 091 C1	12 - 15
645 882 C1	10 - 57	647 896 C1	13 - 27	650 651 C1	8 - 47	651 093 C1	12 - 11
645 883 C1	10 - 53	647 897 C1	13 - 27	650 652 C1	8 - 36	651 096 C1	12 - 11
645 883 C1	10 - 54	647 935 C91	17 - 9	650 652 C1	8 - 42	651 099 C1	12 - 11
645 883 C1	10 - 57	647 936 C91	17 - 9	650 653 C1	8 - 6	651 099 C1	12 - 15
645 886 C1	10 - 57	647 937 C92	17 - 9	650 653 C1	8 - 12	651 101 C1	12 - 11
645 888 C1	10 - 57	649 055 C94	7 - 40	650 653 C1	8 - 18	651 105 C1	12 - 11
645 944 C1	13 - 11	649 563 C1	12 - 5	650 653 C1	8 - 30	651 110 C1	9 - 2
646 015 C1	10 - 27	650 110 C92	12 - 11	650 653 C1	8 - 36	651 111 C1	13 - 2
646 015 C1	10 - 31	650 110 C92	12 - 15	650 653 C1	8 - 42	651 117 C91	6 - 5
646 065 C1	13 - 11	650 166 C1	12 - 19	650 655 C2	8 - 7	651 124 C1	13 - 9
646 068 C1	13 - 11	650 171 C1	9 - 3	650 655 C2	8 - 32	651 125 C1	13 - 9
646 069 C1	13 - 11	650 173 C1	9 - 3	650 657 C2	8 - 5	651 155 C1	9 - 17
646 070 C1	13 - 11	650 199 C1	4 - 6	650 657 C2	8 - 11	651 161 C1	9 - 18
646 073 C2	13 - 11	650 211 C3	13 - 5	650 657 C2	8 - 17	651 165 C1	13 - 15
646 223 C1	13 - 11	650 224 C1	13 - 8	650 657 C2	8 - 23	651 165 C1	13 - 17
646 228 C1	13 - 11	650 226 C1	13 - 5	650 657 C2	8 - 29	651 166 C1	13 - 15
646 238 C1	10 - 28	650 228 C1	13 - 5	650 657 C2	8 - 35	651 166 C1	13 - 17
646 238 C1	10 - 32	650 231 C1	9 - 9	650 657 C2	8 - 41	651 171 C1	9 - 18
646 238 C2	10 - 43	650 234 C1	9 - 9	650 657 C2	8 - 47	651 171 C1	9 - 19
646 240 C1	10 - 43	650 235 C1	9 - 9	650 661 C2	8 - 7	651 266 C1	12 - 7
646 241 C1	10 - 43	650 238 C2	9 - 9	650 661 C2	8 - 32	651 267 C1	12 - 6
646 243 C1	10 - 41	650 354 C1	8 - 61	650 663 C1	8 - 32	651 359 C1	7 - 12
646 244 C1	10 - 41	650 357 C1	8 - 23	650 663 C1	8 - 38	651 366 C1	13 - 8
646 245 C1	10 - 41	650 357 C1	8 - 48	650 663 C1	8 - 44	651 381 C1	13 - 15
646 246 C1	10 - 41	650 374 C1	9 - 3	650 664 C1	8 - 5	651 381 C1	13 - 17
646 250 C1	10 - 21	650 374 C1	13 - 19	650 664 C1	8 - 11	651 382 C1	13 - 15
646 250 C1	10 - 23	650 376 C1	7 - 13	650 664 C1	8 - 17	651 382 C1	13 - 17
646 252 C1	10 - 41	650 377 C1	7 - 12	650 666 C1	12 - 21	651 386 C91	13 - 3
646 259 C1	13 - 11	650 381 C2	8 - 12	650 668 C1	8 - 5	651 389 C1	13 - 14
646 334 C1	17 - 7	650 381 C2	8 - 18	650 668 C1	8 - 11	651 389 C1	13 - 16
646 335 C1	17 - 7	650 381 C2	8 - 36	650 668 C1	8 - 17	651 389 C1	13 - 18
646 406 C1	10 - 41	650 381 C2	8 - 42	650 668 C1	8 - 23	651 389 C1	13 - 20
646 406 C1	10 - 43	650 382 C91	2 - 5	650 864 C1	11 - 8	651 401 C1	9 - 17
646 407 C2	10 - 41	650 382 C91	8 - 51	650 864 C1	11 - 10	651 402 C1	13 - 15
646 407 C2	10 - 43	650 382 C91	12 - 2	650 887 C1	9 - 18	651 402 C1	13 - 17

NUMERICAL INDEX

PART NUMBER	PAGE No.	PART NUMBER	PAGE No.	PART NUMBER	PAGE No.	PART NUMBER	PAGE No.
651 404 C91	12 - 6	654 748 C1	7 - 15	657 301 C1	13 - 20	661 313 C91	9 - 9
651 405 C91	12 - 6	654 824 C1	10 - 2	657 314 C1	13 - 14	661 322 C91	4 - 8
651 406 C91	12 - 6	654 897 C91	7 - 2	657 314 C1	13 - 16	661 323 C91	4 - 8
651 431 C1	9 - 16	654 897 C92	7 - 2	657 314 C1	13 - 19	661 485 C1	6 - 4
651 438 C1	6 - 6	654 897 C93	7 - 2	657 314 C1	13 - 20	661 500 C1	6 - 11
651 497 C1	6 - 11	654 898 C1	7 - 19	657 350 C1	12 - 2	661 502 C1	6 - 11
651 499 C1	6 - 11	655 006 C1	15 - 2	657 704 C91	10 - 7	661 547 C1	2 - 3
651 524 C1	11 - 8	655 007 C1	15 - 2	657 735 C91	10 - 7	661 548 C1	2 - 3
651 628 C1	8 - 54	655 008 C1	15 - 2	657 763 C1	7 - 29	661 636 C91	7 - 52
651 688 C2	11 - 7	655 009 C1	15 - 2	657 870 C91	10 - 61	661 637 C1	13 - 3
651 709 C1	10 - 51	655 043 C93	14 - 6	657 871 C91	10 - 61	661 638 C1	13 - 3
651 784 C1	8 - 59	655 044 C93	14 - 6	657 877 C1	10 - 60	661 671 C1	13 - 15
651 800 C1	11 - 3	655 045 C92	14 - 6	657 877 C1	10 - 61	661 672 C1	13 - 15
651 800 C1	11 - 5	655 046 C92	14 - 6	657 878 C91	10 - 60	661 676 C1	13 - 15
651 835 C1	8 - 56	655 340 C1	14 - 19	657 878 C91	10 - 61	661 676 C1	13 - 17
651 872 C92	10 - 19	655 531 C92	15 - 2	657 882 C91	10 - 49	661 769 C1	13 - 15
651 873 C92	10 - 19	655 532 C91	14 - 18	657 882 C91	10 - 50	661 770 C1	13 - 15
651 874 C92	10 - 19	655 533 C91	14 - 18	657 910 C1	7 - 15	661 865 C1	12 - 11
651 875 C92	10 - 19	655 539 C1	14 - 18	657 911 C1	7 - 15	661 865 C1	12 - 15
651 880 C1	13 - 4	655 540 C1	14 - 15	657 981 C91	10 - 17	662 138 C91	7 - 39
651 881 C1	13 - 4	655 546 C1	15 - 3	657 983 C1	10 - 16	662 250 C1	9 - 7
651 948 C1	8 - 55	655 547 C1	14 - 18	657 984 C1	10 - 16	662 250 C1	9 - 9
651 950 C1	13 - 12	655 549 C1	14 - 8	657 985 C2	10 - 16	662 277 C1	7 - 35
652 714 C1	4 - 6	655 550 C1	14 - 8	658 043 C1	7 - 22	662 298 C91	10 - 28
652 715 C91	4 - 3	655 560 C1	15 - 3	658 044 C1	7 - 22	662 298 C91	10 - 32
652 724 C1	4 - 6	655 561 C1	15 - 3	658 045 C1	7 - 23	662 298 C91	10 - 36
652 726 C1	4 - 6	655 584 C91	14 - 8	658 047 C1	7 - 23	662 299 C91	10 - 28
653 243 C91	12 - 3	655 682 C1	14 - 18	658 051 C1	7 - 22	662 299 C91	10 - 32
653 282 C1	2 - 3	655 682 C1	14 - 19	658 053 C1	7 - 23	662 299 C91	10 - 36
653 342 C1	12 - 11	655 804 C1	14 - 15	658 054 C1	7 - 23	662 300 C91	10 - 27
653 342 C1	12 - 15	655 805 C1	14 - 15	658 055 C1	7 - 23	662 300 C91	10 - 31
653 527 C1	11 - 5	655 961 C2	14 - 16	658 057 C2	7 - 22	662 300 C91	10 - 35
653 532 C1	11 - 6	655 963 C2	14 - 15	658 061 C1	7 - 27	662 301 C91	10 - 27
653 873 C1	12 - 11	655 969 C91	14 - 6	658 062 C91	7 - 20	662 301 C91	10 - 31
653 873 C1	12 - 15	655 970 C91	14 - 6	658 065 C91	7 - 14	662 301 C91	10 - 35
654 079 C1	4 - 3	655 971 C91	14 - 6	658 100 C92	7 - 32	662 342 C1	10 - 48
654 080 C1	4 - 3	655 972 C91	14 - 10	658 103 C1	7 - 10	662 342 C1	10 - 50
654 124 C1	4 - 3	655 972 C91	14 - 12	658 105 C1	7 - 10	662 362 C1	6 - 5
654 139 C1	7 - 12	655 973 C91	14 - 9	658 106 C1	7 - 10	662 362 C1	7 - 44
654 140 C1	7 - 11	655 973 C91	14 - 11	658 396 C91	7 - 2	662 362 C1	7 - 47
654 178 C91	7 - 4	655 973 C91	14 - 12	658 397 C1	7 - 5	662 438 C1	7 - 43
654 180 C91	10 - 8	655 974 C91	14 - 10	658 501 C91	10 - 16	662 438 C1	7 - 44
654 199 C1	7 - 5	655 974 C91	14 - 12	658 503 C1	10 - 16	662 438 C1	7 - 47
654 200 C1	7 - 8	656 104 C2	10 - 51	658 508 C91	10 - 17	662 502 C2	14 - 15
654 200 C1	7 - 9	656 105 C1	10 - 51	658 582 C91	10 - 60	662 553 C91	7 - 53
654 201 C1	7 - 9	656 106 C1	10 - 51	658 583 C91	10 - 60	662 587 C92	7 - 52
654 204 C1	7 - 8	656 158 C1	7 - 43	658 730 C1	7 - 38	662 590 C91	14 - 6
654 205 C1	7 - 8	656 158 C1	7 - 44	658 860 C1	6 - 3	662 591 C91	14 - 10
654 206 C1	10 - 8	656 167 C1	10 - 9	658 860 C1	6 - 4	662 591 C91	14 - 11
654 208 C1	7 - 37	656 169 C91	10 - 9	658 867 C1	6 - 3	662 591 C91	14 - 12
654 209 C1	7 - 37	656 266 C2	10 - 9	658 982 C2	10 - 50	662 594 C91	7 - 52
654 210 C1	7 - 37	656 284 C1	7 - 26	658 982 C2	10 - 50	662 600 C91	7 - 52
654 231 C1	7 - 12	656 307 C1	10 - 16	658 990 C2	10 - 50	662 610 C92	7 - 52
654 232 C1	7 - 11	656 391 C1	10 - 50	658 995 C4	10 - 50	662 622 C91	14 - 6
654 233 C1	7 - 11	656 489 C1	10 - 50	659 065 C91	7 - 39	662 622 C91	7 - 52
654 242 C1	7 - 10	656 531 C92	7 - 44	659 070 C91	7 - 29	662 643 C91	14 - 14
654 348 C91	7 - 8	656 531 C92	7 - 47	659 071 C91	7 - 29	662 687 C91	14 - 18
654 349 C91	7 - 8	656 541 C1	7 - 37	659 072 C91	7 - 29	662 688 C91	14 - 18
654 398 C91	7 - 2	656 638 C1	10 - 60	659 074 C1	7 - 35	662 689 C91	14 - 18
654 427 C1	7 - 23	656 638 C1	10 - 61	659 074 C1	7 - 44	662 796 C1	7 - 52
654 429 C1	7 - 22	656 741 C2	10 - 61	659 078 C91	10 - 50	662 799 C1	14 - 14
654 673 C1	4 - 3	656 923 C1	10 - 50	659 642 C1	7 - 54	662 849 C91	7 - 53
654 674 C1	4 - 3	656 930 C2	10 - 51	659 780 C1	7 - 48	662 849 C92	7 - 53
654 675 C1	4 - 3	657 052 C2	4 - 6	659 935 C1	7 - 23	662 859 C91	7 - 54
654 690 C1	4 - 3	657 122 C1	13 - 14	659 936 C1	7 - 23	663 058 C1	8 - 54
654 691 C1	4 - 3	657 122 C1	13 - 16	659 938 C1	7 - 22	663 062 C1	8 - 56
654 700 C1	4 - 3	657 122 C1	13 - 19	660 868 C1	7 - 42	663 063 C1	8 - 56
654 706 C1	7 - 54	657 122 C1	13 - 20	661 128 C2	12 - 3	663 093 C1	8 - 56
654 707 C1	4 - 3	657 300 C1	13 - 15	661 289 C2	13 - 15	663 101 C1	8 - 56
654 718 C1	7 - 52	657 300 C1	13 - 17	661 289 C2	13 - 17	663 103 C1	8 - 56
654 746 C1	7 - 9	657 300 C1	13 - 19	661 289 C2	13 - 19	663 104 C91	8 - 56
654 746 C1	7 - 14	657 300 C1	13 - 20	661 289 C2	13 - 20	663 113 C1	8 - 5
654 746 C1	7 - 15	657 301 C1	13 - 15	661 302 C1	9 - 7	663 113 C1	8 - 30
654 748 C1	7 - 9	657 301 C1	13 - 17	661 302 C1	9 - 9	663 145 C91	8 - 8
654 748 C1	7 - 14	657 301 C1	13 - 19	661 313 C91	9 - 7	663 145 C91	8 - 14

NUMERICAL INDEX

PART NUMBER	PAGE No.	PART NUMBER	PAGE No.	PART NUMBER	PAGE No.	PART NUMBER	PAGE No.
663 145 C91	8 - 32	668 737 C1	13 - 29	701 667 C1	10 - 27	705 483 C1	7 - 53
663 145 C91	8 - 38	668 892 C91	13 - 21	701 667 C1	10 - 31	705 573 C1	10 - 53
663 145 C91	8 - 45	668 894 C91	13 - 21	701 668 C1	10 - 28	705 573 C1	10 - 57
663 156 C91	8 - 8	668 896 C91	13 - 21	701 668 C1	10 - 32	705 574 C1	10 - 53
663 156 C91	8 - 14	668 900 C91	13 - 21	701 803 C1	17 - 11	705 574 C1	10 - 54
663 156 C91	8 - 20	670 933 C1	12 - 16	701 922 C2	10 - 50	705 614 C1	13 - 11
663 156 C91	8 - 26	670 933 C1	12 - 12	701 922 C2	12 - 7	705 622 C1	10 - 35
663 156 C91	8 - 32	670 934 C1	12 - 12	702 093 C1	8 - 13	705 623 C1	10 - 35
663 156 C91	8 - 38	670 934 C1	12 - 16	702 093 C1	8 - 19	705 624 C1	10 - 35
663 156 C91	8 - 44	670 936 C1	12 - 12	702 093 C1	8 - 25	705 625 C1	10 - 35
663 156 C91	8 - 50	670 936 C1	12 - 16	702 093 C1	8 - 37	705 626 C1	10 - 35
663 165 C1	6 - 11	672 593 C1	12 - 21	702 093 C1	8 - 43	705 627 C1	10 - 35
663 167 C1	6 - 11	673 396 C1	6 - 8	702 093 C1	8 - 49	705 628 C1	10 - 35
663 169 C1	6 - 11	673 396 C1	6 - 10	702 093 C1	11 - 3	705 629 C1	10 - 35
663 172 C1	9 - 15	673 784 C2	12 - 3	702 093 C1	11 - 6	705 682 C1	10 - 35
663 181 C1	8 - 59	674 433 C92	12 - 3	702 093 C1	13 - 27	705 683 C1	10 - 35
663 182 C1	8 - 59	674 502 C1	12 - 5	702 096 C91	7 - 40	705 717 C1	13 - 11
663 185 C1	8 - 59	675 455 C1	12 - 4	702 131 C1	10 - 23	705 903 C2	13 - 11
663 185 C1	8 - 61	679 124 C91	7 - 44	702 131 C1	12 - 11	706 003 C1	11 - 7
663 186 C1	8 - 59	679 227 C91	12 - 12	702 131 C1	12 - 15	706 003 C1	11 - 9
663 186 C1	8 - 61	679 306 C91	13 - 18	702 131 C1	12 - 16	706 005 C1	11 - 7
663 187 C1	8 - 59	679 307 C91	13 - 18	702 131 R1	10 - 21	706 005 C1	11 - 10
663 187 C1	8 - 61	679 308 C91	13 - 18	702 222 C1	11 - 7	706 047 C1	8 - 37
663 188 C1	8 - 59	679 309 C91	13 - 18	702 223 C91	7 - 6	706 047 C3	8 - 19
663 189 C1	8 - 59	679 310 C91	13 - 18	702 255 C1	12 - 17	706 047 C3	8 - 43
663 189 C1	8 - 61	679 312 C91	13 - 18	702 268 C1	8 - 51	706 099 C1	12 - 11
663 392 C1	8 - 6	679 325 C91	10 - 15	702 284 C1	11 - 7	706 125 C1	8 - 6
663 392 C1	8 - 30	680 528 C1	12 - 3	702 324 C1	7 - 6	706 125 C2	8 - 12
663 392 C1	11 - 2	680 690 C4	12 - 5	702 425 C1	10 - 53	706 125 C2	8 - 18
663 392 C1	11 - 6	680 691 C2	12 - 3	702 439 C1	11 - 8	706 125 C2	8 - 24
663 407 C1	11 - 7	681 207 C1	12 - 3	702 439 C1	11 - 10	706 125 C2	8 - 30
663 478 C2	8 - 59	681 723 C1	8 - 23	702 468 C92	13 - 7	706 125 C2	8 - 36
663 478 C2	8 - 61	681 723 C1	8 - 48	702 469 C2	13 - 7	706 125 C2	8 - 42
663 485 C1	8 - 59	681 797 C1	12 - 3	702 470 C1	13 - 7	706 125 C2	8 - 48
663 485 C1	8 - 61	681 799 C1	12 - 3	702 471 C1	13 - 7	706 142 C1	8 - 24
664 299 P1	7 - 15	683 100 C1	13 - 42	702 497 C1	7 - 43	706 142 C1	8 - 48
664 937 C1	8 - 24	683 131 C1	12 - 2	702 632 C91	10 - 3	706 415 C1	6 - 8
664 937 C1	8 - 48	683 350 C91	12 - 2	702 633 C1	7 - 35	706 415 C1	6 - 10
665 728 C94	7 - 40	683 596 C91	13 - 41	702 634 C1	7 - 35	706 437 C91	12 - 21
665 747 C1	15 - 3	683 708 C91	13 - 42	702 634 C1	7 - 43	706 719 C1	10 - 18
666 001 C1	10 - 50	683 728 C91	8 - 42	702 634 C1	7 - 44	706 804 C1	10 - 60
666 102 C1	10 - 43	683 729 C1	8 - 24	702 634 C1	7 - 47	706 804 C1	10 - 61
666 134 C1	9 - 7	683 729 C1	8 - 48	702 636 C1	7 - 35	706 812 C91	10 - 18
666 156 C1	9 - 7	683 769 C1	13 - 42	702 637 C1	7 - 35	706 813 C91	10 - 18
666 219 C1	10 - 48	683 772 C1	13 - 42	702 638 C1	7 - 35	706 818 C91	10 - 18
666 219 C1	10 - 50	683 775 C1	13 - 42	702 959 C1	7 - 19	706 820 C1	10 - 18
666 280 C1	7 - 43	683 846 C1	13 - 42	702 959 C1	7 - 21	706 821 C1	10 - 18
666 364 C1	7 - 43	685 189 C1	12 - 12	702 981 C1	10 - 53	706 853 C1	10 - 60
667 019 C91	6 - 4	685 189 C1	12 - 16	702 981 C1	10 - 54	706 853 C1	10 - 61
668 080 C2	8 - 56	685 606 C1	12 - 21	702 981 C1	10 - 57	706 950 C1	7 - 40
668 090 C1	13 - 17	685 786 C1	12 - 21	703 060 C1	8 - 5	706 950 C1	7 - 41
668 091 C1	13 - 17	685 819 C91	12 - 21	703 060 C1	8 - 12	707 093 C1	10 - 60
668 095 C1	6 - 6	686 792 C1	12 - 3	703 060 C1	8 - 18	707 093 C91	10 - 61
668 100 C1	8 - 3	688 090 C91	12 - 2	703 060 C1	8 - 24	707 130 C92	7 - 40
668 101 C1	8 - 3	688 091 C91	12 - 2	703 060 C1	8 - 30	707 134 C91	10 - 61
668 102 C1	8 - 3	689 447 C1	12 - 4	703 060 C1	8 - 36	707 148 C91	10 - 60
668 103 C1	8 - 3	690 018 C1	12 - 3	703 060 C1	8 - 42	707 151 C1	10 - 16
668 104 C1	8 - 3	690 068 C1	12 - 3	703 060 C1	8 - 48	707 153 C1	10 - 16
668 114 C1	8 - 3	690 069 C1	12 - 4	703 321 C1	14 - 13	707 156 C2	10 - 16
668 131 C1	12 - 16	690 098 C1	12 - 4	703 459 C1	12 - 2	707 161 C91	10 - 16
668 131 C2	12 - 11	690 176 C1	12 - 4	703 460 C1	12 - 2	707 176 C1	10 - 16
668 189 C2	8 - 13	690 479 C91	8 - 12	703 480 C1	6 - 11	707 177 C91	10 - 16
668 189 C2	8 - 19	690 479 C91	8 - 18	703 481 C1	6 - 11	707 220 R1	7 - 54
668 189 C2	8 - 38	690 479 C91	8 - 36	703 482 C1	6 - 11	707 270 C91	14 - 15
668 189 C2	8 - 44	690 535 C1	12 - 12	703 599 C91	14 - 18	707 271 C1	14 - 14
668 189 C3	8 - 25	690 535 C1	12 - 16	704 014 C1	10 - 14	707 514 C1	14 - 18
668 189 C3	8 - 50	700 021 C93	7 - 17	704 018 C91	10 - 14	707 585 C1	14 - 2
668 290 C1	13 - 19	700 030 C92	7 - 28	704 019 C1	17 - 4	707 585 C1	14 - 3
668 290 C1	13 - 20	700 032 C1	7 - 25	704 021 C92	17 - 4	707 720 C91	7 - 53
668 464 C1	12 - 15	700 293 C91	7 - 50	705 105 C2	4 - 3	707 787 C91	7 - 53
668 496 C1	11 - 9	700 395 C91	8 - 51	705 164 C91	7 - 52	707 870 C91	14 - 11
668 499 C1	11 - 9	700 856 C1	17 - 7	705 173 C1	7 - 54	707 871 C1	14 - 11
668 589 C92	13 - 27	700 861 C92	17 - 7	705 190 C91	7 - 52	707 872 C1	14 - 11
668 730 C1	9 - 10	701 655 C93	17 - 10	705 320 C91	7 - 11	707 916 C1	14 - 5
668 733 C1	9 - 10	701 656 C91	17 - 10	705 320 C91	7 - 23	708 560 R1	7 - 39

NUMERICAL INDEX

PART NUMBER	PAGE No.	PART NUMBER	PAGE No.	PART NUMBER	PAGE No.	PART NUMBER	PAGE No.
709 064 C1	8 - 18	710 160 C1	17 - 27	715 542 C1	14 - 3	733 050 C1	7 - 25
709 064 C1	8 - 24	710 184 C2	17 - 25	715 579 C1	15 - 3	733 098 C1	12 - 12
709 064 C1	8 - 42	710 185 C1	17 - 25	715 580 C1	14 - 3	733 098 C1	12 - 16
709 064 C1	8 - 48	710 416 C1	10 - 47	715 590 C1	14 - 19	733 099 C1	12 - 12
709 093 C1	13 - 19	710 417 C1	10 - 47	715 591 C1	14 - 19	733 099 C1	12 - 16
709 094 C1	13 - 19	710 418 C1	10 - 47	715 595 C1	14 - 7	733 100 C91	12 - 11
709 106 C91	7 - 25	710 423 C1	17 - 6	715 599 C1	14 - 19	733 100 C91	12 - 15
709 106 C92	7 - 25	710 423 C1	17 - 8	715 600 C1	14 - 3	733 149 C91	13 - 2
709 107 C1	13 - 19	710 461 C91	13 - 21	715 607 C91	14 - 19	733 150 C91	13 - 3
709 108 C1	13 - 19	710 462 C91	13 - 27	715 608 C91	14 - 19	733 443 C1	7 - 47
709 109 C1	13 - 19	710 463 C91	8 - 3	715 611 C91	15 - 2	733 455 C1	10 - 50
709 110 C1	13 - 19	710 465 C91	13 - 42	715 631 C1	8 - 23	734 021 C1	7 - 19
709 111 C1	13 - 18	710 466 C1	17 - 7	715 631 C1	8 - 47	736 020 C91	13 - 21
709 112 C1	13 - 18	710 467 C1	17 - 8	715 647	11 - 8	736 021 C91	13 - 21
709 129 C1	8 - 11	710 590 C91	12 - 6	715 647	11 - 10	736 085 C1	13 - 40
709 129 C1	8 - 17	710 592 C91	12 - 6	715 647 C1	11 - 6	736 087 C1	13 - 33
709 129 C1	8 - 23	710 686 C1	7 - 27	715 655 C1	13 - 39	736 088 C1	13 - 39
709 129 C1	8 - 35	710 809 C1	12 - 16	715 668 C1	11 - 10	736 091 C1	13 - 33
709 129 C1	8 - 41	711 517 C1	17 - 6	715 691 C1	11 - 9	736 092 C91	13 - 35
709 129 C1	8 - 47	711 517 C1	17 - 8	715 756 C1	11 - 5	736 095 C1	13 - 34
709 130 C1	8 - 11	711 535 C91	17 - 2	715 756 C1	11 - 6	736 098 C1	13 - 35
709 130 C1	8 - 17	711 553 C92	17 - 10	715 902 C1	13 - 39	736 099 C1	13 - 33
709 130 C1	8 - 23	711 554 C91	9 - 13	715 916 C1	8 - 6	736 100 C1	13 - 33
709 130 C1	8 - 35	711 555 C91	9 - 13	715 916 C1	8 - 30	736 101 C1	13 - 33
709 130 C1	8 - 41	711 572 C1	17 - 10	715 916 C1	11 - 8	736 102 C1	13 - 35
709 130 C1	8 - 47	711 576 C1	10 - 54	716 611 C91	7 - 52	736 129 C1	11 - 5
709 145 C2	8 - 6	711 578 C1	10 - 54	716 612 C91	7 - 52	736 130 C1	8 - 24
709 145 C2	8 - 30	711 591 C1	17 - 6	716 613 C1	7 - 52	736 130 C1	8 - 48
709 145 C2	11 - 8	711 594 C91	17 - 6	716 913 C1	7 - 52	736 130 C1	8 - 56
709 145 C2	11 - 10	711 696 C1	10 - 39	717 064 C1	12 - 11	736 131 C1	8 - 59
709 155 C1	8 - 6	711 697 C1	10 - 39	717 064 C91	12 - 15	736 131 C1	8 - 61
709 155 C1	8 - 18	711 698 C1	10 - 39	717 330 C1	9 - 16	736 705 C1	7 - 47
709 155 C1	8 - 24	711 701 C1	10 - 39	717 355 C1	14 - 4	737 156 C91	8 - 61
709 155 C1	8 - 30	711 704 C1	10 - 39	717 358 C1	14 - 4	737 188 C1	8 - 59
709 155 C1	8 - 42	711 705 C1	10 - 39	717 359 C1	14 - 4	737 188 C1	8 - 61
709 155 C1	8 - 48	711 706 C1	10 - 39	717 379 C91	13 - 3	737 365 C1	8 - 24
709 156 C92	13 - 2	711 707 C1	10 - 39	717 382 C1	13 - 20	737 365 C1	8 - 48
709 236 C92	13 - 3	711 708 C1	10 - 39	717 383 C1	13 - 20	737 365 C1	8 - 56
709 285 C1	13 - 19	711 709 C1	10 - 39	717 386 C1	13 - 3	738 030 C1	7 - 30
709 286 C1	13 - 19	711 710 C1	10 - 39	717 387 C1	13 - 3	738 070 C1	10 - 50
709 289 C1	13 - 19	711 711 C1	10 - 39	717 441 C1	10 - 54	738 515 C1	10 - 39
709 302 C91	8 - 14	711 712 C1	10 - 39	717 719 C91	10 - 17	739 525 C1	13 - 39
709 302 C91	8 - 38	711 713 C1	10 - 39	717 740 C1	9 - 10	740 012 C1	13 - 39
709 304 C1	13 - 19	711 714 C1	10 - 39	717 740 C1	9 - 12	740 013 C1	13 - 39
709 305 C1	13 - 19	711 715 C1	10 - 39	717 740 C1	9 - 13	740 024 C91	13 - 21
709 330 C1	6 - 7	711 797 C1	10 - 19	717 740 C1	9 - 14	740 025 C91	13 - 25
709 330 C1	6 - 9	711 820 C91	17 - 7	717 869 C91	17 - 25	740 110 C1	8 - 19
709 332 C91	13 - 3	711 822 C1	13 - 11	717 982 C1	10 - 19	740 110 C1	8 - 25
709 333 C91	6 - 9	711 901 C1	12 - 11	728 154 C1	8 - 51	740 110 C1	8 - 43
709 336 C92	13 - 2	711 901 C1	12 - 15	732 052 C1	9 - 19	740 110 C1	8 - 49
709 338 C91	13 - 14	711 925 C1	13 - 22	732 053 C1	9 - 19	740 150 C1	8 - 56
709 339 C91	13 - 14	711 974 C91	13 - 25	732 056 C1	13 - 20	740 150 C1	8 - 59
709 384 C1	13 - 19	711 975 C91	13 - 21	732 137 C1	13 - 6	740 150 C1	8 - 61
709 415 C91	13 - 2	712 033 C1	12 - 11	732 156 C1	13 - 8	740 170 C1	14 - 19
709 541 C91	7 - 53	712 036 C1	12 - 16	732 158 C1	13 - 6	740 172 C1	14 - 7
709 928 C1	7 - 53	712 039 C1	12 - 16	732 162 C1	13 - 6	740 173 C1	14 - 7
710 013 C91	12 - 5	712 591 C1	17 - 27	732 164 C1	13 - 6	740 182 C1	14 - 16
710 014 C2	12 - 5	712 742 C1	17 - 6	732 165 C1	13 - 6	740 184 C1	8 - 23
710 050 C1	13 - 27	713 167 C1	11 - 7	732 167 C1	13 - 6	740 184 C1	8 - 47
710 051 C1	13 - 27	713 167 C1	11 - 9	732 169 C1	13 - 6	740 217 C1	14 - 19
710 063 C2	13 - 27	713 170 C1	11 - 9	732 173 C1	13 - 6	740 218 C1	14 - 19
710 065 C2	13 - 27	713 209 C1	7 - 25	732 174 C1	7 - 46	740 228 C91	14 - 5
710 101 C1	17 - 27	713 275 C1	7 - 25	732 175 C1	7 - 46	740 265 C1	14 - 19
710 103 C1	17 - 27	713 389 C2	6 - 8	732 176 C1	7 - 47	740 273 C1	11 - 10
710 106 C1	17 - 27	713 389 C2	6 - 11	732 177 C1	7 - 47	740 275 C91	13 - 21
710 127 C1	10 - 47	713 464 C1	9 - 19	732 180 C1	7 - 47	740 285 C1	11 - 6
710 128 C1	17 - 27	713 467 C1	9 - 19	732 379 C1	2 - 3	740 301 C1	8 - 59
710 131 C1	17 - 27	713 479 C1	6 - 8	732 380 C1	2 - 3	740 301 C1	8 - 61
710 132 C1	17 - 27	713 480 C1	6 - 8	732 495 C1	10 - 54	740 302 C1	8 - 59
710 133 C1	17 - 27	713 482 C1	6 - 8	732 496 C1	11 - 6	740 360 C1	11 - 9
710 138 C1	17 - 27	715 140 C91	7 - 39	733 004 C1	7 - 46	740 583 C1	13 - 27
710 156 C91	17 - 27	715 370 C1	7 - 30	733 005 C1	7 - 47	740 584 C1	13 - 27
710 158 C1	10 - 18	715 385 C91	7 - 41	733 017 C1	9 - 7	740 707 C1	8 - 13
710 158 C1	17 - 27	715 423 C1	2 - 5	733 039 C1	9 - 7	740 707 C1	8 - 25
710 159 C91	17 - 27	715 477 C1	7 - 30	733 039 C1	9 - 9	740 707 C1	8 - 50

NUMERICAL INDEX

PART NUMBER	PAGE No.	PART NUMBER	PAGE No.	PART NUMBER	PAGE No.	PART NUMBER	PAGE No.
740 766 C1	8 - 25	9 402 713	7 - 44				
740 766 C1	8 - 50	9 402 713	7 - 47				
740 985 C1	8 - 61	9 402 714	7 - 43				
864 441 R1	13 - 27	9 402 714	7 - 44				
864 444 R1	13 - 27	9 402 714	7 - 46				
864 456 R1	13 - 34	9 402 714	7 - 47				
864 459 R1	13 - 27	9 402 823	11 - 6				
864 982 R1	7 - 10	9 402 828	7 - 43				
876 109 C1	7 - 44	9 402 862	11 - 6				
876 109 C1	7 - 47	9 402 864	7 - 37				
877 949 C2	10 - 28	9 402 864	10 - 24				
877 949 C2	10 - 32	9 402 867	7 - 35				
877 949 C2	10 - 39	9 402 867	7 - 44				
877 949 C2	10 - 44	9 402 867	7 - 47				
883 170 C91	10 - 49	9 402 906	6 - 4				
883 170 C91	10 - 51	9 403 098	7 - 37				
889 615 C1	7 - 33	9 403 098	10 - 24				
892 033 C1	13 - 27	9 409 927	11 - 6				
901 431	13 - 25	9 409 931	7 - 25				
914 455 R91	17 - 15	9 409 931	11 - 5				
914 455 R91	17 - 20	9 409 934	7 - 29				
915 499 R1	7 - 25	9 409 935	8 - 61				
915 499 R1	7 - 29	9 409 943	11 - 3				
915 500 R1	7 - 25	9 409 943	11 - 5				
915 500 R1	7 - 29	9 409 946	7 - 27				
925 262 C91	10 - 51	9 409 949	7 - 9				
999 677 C91	2 - 7	9 409 949	10 - 51				
999 677 R91	2 - 7	9 409 949	14 - 19				
1 085 320 R1	13 - 9	9 409 949	17 - 11				
1 085 597 R1	12 - 19	9 410 203	10 - 53				
1 085 613 R1	13 - 12	9 410 207	10 - 28				
1 085 654 R1	10 - 57	9 410 207	10 - 32				
1 119 518	8 - 52	9 410 207	10 - 39				
1 132 147	13 - 39	9 410 207	10 - 44				
1 140 077 C1	7 - 41	9 410 207	10 - 47				
1 140 078 C1	7 - 41	9 410 207 R1	10 - 35				
1 140 079 C1	7 - 41	9 410 257	6 - 5				
1 913 828	8 - 52	9 410 283	7 - 42				
1 914 379	8 - 52	9 410 283	7 - 44				
1 943 386	8 - 52	9 410 283	7 - 47				
1 956 235	8 - 52	9 410 363	7 - 41				
1 958 137	8 - 52	9 410 363	10 - 9				
1 958 148	8 - 52	9 410 363	10 - 27				
1 960 347	8 - 52	9 410 363	10 - 31				
1 968 171	8 - 52	9 410 363	10 - 35				
1 996 098	8 - 52	9 410 977	7 - 35				
2 000 921	13 - 25	9 410 981	7 - 42				
2 000 931	13 - 25	9 410 981	7 - 43				
2 000 955	13 - 25	9 410 982	7 - 43				
2 751 201 R1	2 - 3	9 410 982	10 - 41				
2 751 374 R2	2 - 3	9 410 982	10 - 43				
2 751 900	2 - 3	9 411 105	7 - 35				
2 752 600 R1	2 - 3	9 411 105	10 - 53				
2 753 001 R2	2 - 3	9 411 107	7 - 35				
2 753 005 R1	2 - 3	9 411 122	10 - 27				
2 753 005 R1	10 - 62	9 411 122	10 - 31				
2 753 190 R1	2 - 3	9 411 122	10 - 35				
2 753 630 R1	12 - 21	9 411 131	7 - 35				
2 754 281 R1	2 - 3	9 412 231	17 - 10				
2 754 310 R2	2 - 3	9 413 957	10 - 21				
2 754 455 R1	12 - 19	9 413 957	10 - 23				
3 042 934 R1	7 - 40	9 421 425	8 - 51				
3 042 934 R1	7 - 41						
4 000 512	13 - 25						
4 000 515	13 - 25						
4 001 410	13 - 25						
4 001 411	13 - 25						
9 402 706	11 - 3						
9 402 706	11 - 6						
9 402 708	7 - 37						
9 402 708	7 - 42						
9 402 711	6 - 3						
9 402 711	7 - 43						
9 402 711	7 - 44						
9 402 711	7 - 47						

