

BEPB004800

Parts Book

TD-9H

CRAWLER TRACTOR

SERIAL NUMBERS TD-9H - P046275 and up

Parts Book

TD-9H

CRAWLER TRACTOR

SERIAL NUMBERS **TD-9H - P046275** and up

This material is proprietary to Komatsu America International Company and is not to be reproduced, used, or disclosed except in accordance with written authorization from Komatsu America International Company.

It is our policy to improve our products whenever it is possible and practical to do so. We reserve the right to make changes or add improvements at any time without incurring any obligation to install such changes on products sold previously.

Due to this continuous program of research and development, periodic revisions may be made to this publication. It is recommended that customers contact their distributor for information on the latest revision.

PRODUCT PUBLICATIONS INFORMATION

VARIOUS PRODUCT PARTS & SERVICE PUBLICATIONS ARE AVAILABLE TO ALL **DRESSER** CONSTRUCTION EQUIPMENT OWNERS, INCLUDING OPERATION AND MAINTENANCE MANUALS, PARTS BOOKS AND SHOP MANUALS.

SPECIAL PUBLICATIONS SUCH AS SERVICE TOOL, AIR CONDITIONING, AND TURBOCHARGER SHOP MANUALS ARE ALSO AVAILABLE AS WELL AS SELECTED OPERATION & SHOP MANUALS IN FOREIGN LANGUAGES.

THE PUBLICATIONS LISTED BELOW ARE AVAILABLE FOR THIS PARTICULAR MACHINE.

DESCRIPTION	FORM NUMBER
PARTS BOOK - PAPER:	
CHASSIS AND ENGINE	BEPB004800
PARTS BOOK - MICROFICHE:	
CHASSIS AND ENGINE	BEPM004800
OPERATION AND MAINTENANCE MANUAL:	
CHASSIS	CEAM002800
SHOP MANUAL:	
CHASSIS	CEBM789H03
SUPPLEMENT ONLY	CEBM789H01S
SUPPLEMENT ONLY	CEBM789H02S
SUPPLEMENT ONLY	CEBM789H03S
ENGINE	SEBM010002
SAFETY MANUAL	CLT80-1

PARTS AND SERVICE PUBLICATIONS CAN ONLY BE ACQUIRED BY AUTHORIZED DRESSER DISTRIBUTORS, USING THE KOMATSU AMERICA INTERNATIONAL CO. PARTS INVENTORY PROCESSING SYSTEM (PIPS).

IF THE PIPS SYSTEM IS NOT AVAILABLE AT THE DISTRIBUTOR LOCATION, THEN THE FOLLOWING REQUISITION FOR TECHNICAL SERVICE PUBLICATIONS AND SERVICE FORMS CAN BE USED. FORM KDC91D IS SHOWN ON THE REVERSE SIDE OF THIS PAGE.

REQUISITION FOR TECHNICAL SERVICE PUBLICATIONS AND SERVICE FORMS

**COMPLETE FORM
AND RETURN TO** →

Komatsu America International Company
 440 North Fairway Drive
 Vernon Hills, IL 60061-8112 U.S.A.
 Attn: Technical Publications
 Fax No. (847) 970-4186
 Tel No. (847) 970-5887

SHIP TO →

COMPANY NAME
ATTN.
STREET ADDRESS
CITY, STATE, ZIP CODE
COUNTRY

PURCHASE ORDER NO.

**TYPE or PRINT
ONLY** →

ORDER DATE

PHONE NO.	FAX NO.	SHIPPING METHOD	DISTR/BRANCH CODE

IMPORTANT - TO ASSURE SHIPMENT OF THE CORRECT PUBLICATION(S), THE MODEL NUMBER AND MACHINE SERIAL NUMBER MUST BE SHOWN.

QTY.	PUBLICATION FORM NUMBER	PARTS BOOK		PUBLICATION DESCRIPTION	MODEL NUMBER	SERIAL NUMBER
		P-Paper	M-Microfiche			

FICHE	SECTION INDEX	
	INTRODUCTION	01
	MISCELLANEOUS	02
NOT USED	AIR	03
	BRAKES	04
	STEERING	05
	COOLING	06
	DRIVE TRAIN	07
	ELECTRICAL	08
	FRAME	09
	HYDRAULICS	10
	INSTRUMENTS	11
	POWER	12
	SUPERSTRUCTURE	13
	SUSPENSION	14
	WHEELS & TRACTION	15
NOT USED	BODY-BOWL	16
	MOUNTED EQUIPMENT	17
	NUMERICAL INDEX	

INTRODUCTION

GENERAL

THIS PARTS BOOK LISTS CHASSIS AND ENGINE SERVICE PARTS FOR THE MACHINE SHOWN ON THE TITLE PAGE.

WE RESERVE THE RIGHT TO MAKE CHANGES OR ADD IMPROVEMENTS AT ANY TIME WITHOUT INCURRING ANY OBLIGATION TO INSTALL SUCH CHANGES ON PRODUCTS PREVIOUSLY SOLD.

ILLUSTRATIONS

ILLUSTRATED ITEMS ARE GIVEN ITEM NUMBERS WHICH CORRESPOND TO THE SAME NUMBER IN THE PARTS LIST. ITEM NUMBERS MAY POINT TO MORE THAN ONE IDENTICAL ITEM. THE QUANTITY OF ITEMS SHIPPED WILL DEPEND ON THE QUANTITY ORDERED. ILLUSTRATIONS ARE OF TYPICAL PARTS ONLY.

METHOD OF LISTING

THE PARTS LIST AND ITS ASSOCIATED ILLUSTRATION IS THE ESSENTIAL CONTENT OF THE PARTS BOOK. EACH PARTS LIST IS ARRANGED IN NUMERIC SEQUENCE BY PAGE NUMBER.

THE PARTS LIST FORM IS DIVIDED INTO FIVE COLUMNS FOR EASY USE:

1. **ITEM NO. COLUMN** - THIS COLUMN CONTAINS KEYS TO THE ILLUSTRATION SO THE PART CAN BE LOCATED ON THE ASSOCIATED ILLUSTRATION. IF THERE IS NO KEY NUMBER FOR THE PART, THE PART IS NON-ILLUSTRATED AND IS NOT ON THE ASSOCIATED ILLUSTRATION.
2. **PART NUMBER COLUMN** - THIS COLUMN CONTAINS THE PART NUMBER OF EACH SERVICEABLE PART. THE PART NUMBER, IN CONJUNCTION WITH THE DESCRIPTION OF THE PART, IS THE KEY TO LOCATING NEEDED SERVICE PARTS. PART NUMBERS IN *ITALIC* ARE NON-SERVICE PARTS LISTED FOR REFERENCE ONLY.
3. **DESCRIPTION COLUMN** - THIS COLUMN CONTAINS THE DESCRIPTION OF EACH PART. IT CAN BE USED TO FIND NEEDED PARTS WHEN THE PART NUMBER IS NOT KNOWN. INDENTATION OF AN ITEM INDICATES THAT IT IS A COMPONENT PART (OR SUBASSEMBLY) OF THE ITEM UNDER WHICH IT IS INDENTED.
4. **QTY COLUMN** - THIS COLUMN CONTAINS THE QUANTITY OF EACH PART NUMBER LISTED AS NEEDED FOR THE PRODUCT IT IS A PART OF.
5. **REF COLUMN** - THIS COLUMN IS RESERVED FOR NOTATION BY FOOTNOTE DESIGNATORS. FOOTNOTES WILL BE FOUND AT THE END OF THE LISTING.

PRODUCT GRAPHICS

THE OWNER AND/OR OPERATOR MUST REPLACE ANY AND ALL SAFETY AND WARNING PRODUCT GRAPHICS IF THEY ARE DEFACED OR REMOVED FROM THE MACHINE.

REMANUFACTURED ASSEMBLIES

CERTAIN ASSEMBLIES HAVE A CORRESPONDING REMANUFACTURED ASSEMBLY. THESE ASSEMBLIES INCLUDE A FOOTNOTE DESIGNATION OF R1 IN THE PARTS LIST. REFER TO REMANUFACTURED ASSEMBLIES CATALOG FOR PART NUMBERS AND OTHER RELATED INFORMATION.

INTRODUCTION

ABBREVIATIONS

THE FOLLOWING ABBREVIATIONS WILL BE USED IN THE PARTS LISTING:

AR - AS REQUIRED	NSS - NOT SERVICED SEPARATELY
F1, F2, ETC. - FOOTNOTE	L.H. - LEFT HAND
N/I - NOT ILLUSTRATED	R.H. - RIGHT HAND
NS - NOT SERVICED	S/N - SEQUENCE NUMBER

NOTE: LEFT AND RIGHT SIDES OF THE MACHINE ARE DETERMINED BY SITTING IN THE OPERATOR'S SEAT AND FACING FORWARD.

COMMON HARDWARE

MOUNTING HARDWARE, INCLUDING BOLTS, NUTS, COTTER PINS AND SO FORTH, IS NOT ILLUSTRATED IN MOST CASES. INSTEAD, IT IS LISTED BENEATH THE ITEM IN THE PARTS LISTING WHERE IT IS ATTACHED.

NOTE: HARDWARE PARTS WITH SIX OR SEVEN DIGIT C1, H1 OR R1 PART NUMBERS ARE DESIGNATED FOR A SPECIFIC USE AND MUST NOT BE REPLACED WITH COMMON HARDWARE.

ORDERING PARTS

WHEN ORDERING PARTS, ALWAYS GIVE THE FOLLOWING INFORMATION:

- (A) THE COMPLETE PART NUMBER, INCLUDING PREFIX OR SUFFIX LETTERS, THE NAME OF THE PART THE QUANTITY REQUIRED.
- (B) THE COMPLETE PRODUCT IDENTIFICATION NUMBER AND ENGINE SERIAL NUMBER OF THE MACHINE INCLUDING THE KIND, VARIATION AND COUNTRY OF ORIGIN CODES AND THE SEQUENCE NUMBER. SEE PRODUCT IDENTIFICATION NUMBERS, WHICH FOLLOWS.
- (C) WHEN ORDERING PARTS FOR ITEMS WHICH HAVE THEIR OWN SERIAL NUMBERS (SUCH AS TRANSMISSIONS, TORQUE CONVERTERS OR AXLES) ALSO INCLUDE THE SERIAL NUMBERS OF THE TRANSMISSION, TORQUE CONVERTER AND/OR AXLE. WE RECOMMEND THAT YOU WRITE THE PRODUCT IDENTIFICATION AND SERIAL NUMBERS OF YOUR MACHINE AND ALL MAJOR COMPONENTS IN THE SPACES PROVIDED BELOW.

DATE RECEIVED _____

PRODUCT IDENTIFICATION NO. _____

ENGINE MODEL _____ SERIAL NO. _____

TRANSMISSION MODEL _____ SERIAL NO. _____

INTRODUCTION

PRODUCT IDENTIFICATION NUMBERS

MACHINE MODEL	MODEL CODE (KIND)	VARIATION CODE	ORIGIN	SEQUENCE NUMBER
TD9H	472	0003	P	046275 AND UP

USUALLY, ONLY SEQUENCE NUMBERS WITHOUT PRECEDING ZEROS ARE SHOWN IN THE PARTS LIST. WHEN NECESSARY, ORIGIN MAY ALSO BE SHOWN, IN WHICH CASE THE PRECEDING ZEROS OF THE SEQUENCE NUMBER WILL BE INCLUDED.

EXAMPLE: SEQUENCE NUMBER - 46275
 ORIGIN - P046275
 COMPLETE PIN - 4720002P046275

INTRODUCTION

ALPHABETICAL INDEX

DESCRIPTION	PAGE NO.	FICHE GRID
18 IN TRACK SHOES - STANDARD TRACK	15-002	
20 IN TRACK SHOES - STANDARD TRACK	15-004	
24 IN SWAMP SHOES - LOW GROUND PRESSURE	15-008	
24 IN TRACK SHOES - LOW GROUND PRESSURE	15-006	

- A -

ACCESSORIES, ROPS CAB AND	13-044	
ACCESSORY DRIVE COVER	12-116	
ADJUSTER, TRACK	14-012	
ADJUSTABLE STEERING LINK, DUO	05-004	
AIR CLEANER	12-010	
AIR FILTER BOX - 4/19 - ROPS CAB	13-058	
AIR INTAKE MANIFOLD	12-036	
AIR INTAKE SYSTEM	12-006	
ALARM, BACK UP	08-034	
ALTERNATOR LOCATION	12-110	
ALTERNATOR - MODEL 8AR	08-030	
ANGLE CYLINDER, BLADE	10-068	
ANGLE SECTION, BLADE	10-054	
ANGLING FRAME, BLADE	17-010	
ANGLING FRAME, BLADE AND - LOW GROUND PRESSURE	17-008	
ANGLING FRAME, BLADE AND - STANDARD TRACK	17-006	
ANTI CAVITATION VALVE	10-062	
ANTI-VANDALISM	02-012	
ASSEMBLY, ENGINE	12-028	

- B -

BACK UP ALARM	08-034	
BATTERY AND MOUNTING - ROPS CAB	08-022	
BATTERY AND MOUNTING - ROPS CANOPY	08-014	
BELT, FAN	12-112	
BELT TENSIONER AND MOUNTING	12-112	
BLADE AND ANGLING FRAME - LOW GROUND PRESSURE	17-008	
BLADE AND ANGLING FRAME - STANDARD TRACK	17-006	
BLADE ANGLE CYLINDER	10-068	
BLADE ANGLE SECTION	10-054	
BLADE ANGLING FRAME	17-010	
BLADE EQUIPMENT - LOW GROUND PRESSURE	17-004	
BLADE EQUIPMENT - STANDARD TRACK	17-002	
BLADE LIFT CYLINDER	10-064	
BLADE LIFT SECTION	10-050	
BLADE TILT CYLINDER	10-066	
BLADE TILT SECTION	10-052	
BLOCK, CYLINDER - METRIC THREADS	12-046	
BLOWER FAN	06-008	
BRACKET AND HANDLE, VALVE CONTROL	10-038	
BRACKET, BRAKE PEDAL AND - W/O DECELERATOR PEDAL	04-010	

INTRODUCTION

ALPHABETICAL INDEX

DESCRIPTION	PAGE NO.	FICHE GRID
BRACKET, BRAKE PEDAL AND - WITH DECELERATOR PEDAL	04-012	
BRACKET, BRAKE SUPPORT	04-008	
BRACKET, FOOT STEERING	05-010	
BRACKET, FRONT CENTER MOTOR AND - ROPS CAB - 17/19	13-088	
BRACKET, LEFT DOOR MOTOR AND - ROPS CAB - 17/19	13-088	
BRACKET, LIFTING	12-122	
BRACKET, REAR WINDOW MOTOR AND - ROPS CAB - 19/19	13-092	
BRACKET, RIGHT DOOR MOTOR AND - ROPS CAB - 18/19	13-090	
BRACKET, RIGHT PEDAL AND	05-012	
BRAKE CONTROLS	04-002	
BRAKE OR STEERING SHOES	04-016	
BRAKE PAD	04-006	
BRAKE PEDAL AND BRACKET - W/O DECELERATOR PEDAL	04-010	
BRAKE PEDAL AND BRACKET - WITH DECELERATOR PEDAL	04-012	
BRAKE SUPPORT BRACKET	04-008	

- C -

C FRAME	17-012	
CAB AND ACCESSORIES, ROPS	13-044	
CAB AND FENDERS, ROPS	13-014	
CAB, ROPS - 4/19 - AIR FILTER BOX	13-058	
CAB, ROPS - 1/19 - COMPLETE ASSEMBLY	13-050	
CAB, ROPS - 10/19 - RIGHT ENTRY DOOR LINKAGE	13-070	
CAB, ROPS - 11/19 - LEFT ENTRY DOOR	13-072	
CAB, ROPS - 12/19 - LEFT ENTRY DOOR LINKAGE	13-074	
CAB, ROPS - 13/19 - CAB WIRING	13-076	
CAB, ROPS - 14/19 - CONTROL PANEL	13-080	
CAB, ROPS - 15/19 - WORK LIGHT	13-082	
CAB, ROPS - 16/19 - WIPER AND WASHER SYSTEM	13-084	
CAB, ROPS - 17/19 - FRONT CENTER MOTOR AND BRACKET	13-088	
CAB, ROPS - 17/19 - LEFT DOOR MOTOR AND BRACKET	13-088	
CAB, ROPS - 18/19 - RIGHT DOOR MOTOR AND BRACKET	13-090	
CAB, ROPS - 2/19 - HEADLINERS AND INSULATION	13-054	
CAB, ROPS - 19/19 - REAR WINDOW MOTOR AND BRACKET	13-092	
CAB, ROPS - 3/19 - SIDE INSULATION AND COVERS	13-056	
CAB, ROPS - 8/19 - DOOR LOCKS	13-066	
CAB, ROPS - 6/19 - RIGHT SIDE WINDOW	13-062	
CAB, ROPS - 7/19 - LEFT SIDE WINDOW	13-064	
CAB, ROPS - 5/19 - REAR WINDOW	13-060	
CAB, ROPS - 9/19 - RIGHT ENTRY DOOR	13-068	
CAB, ROPS - BATTERY AND MOUNTING	08-022	
CAB, ROPS - HOOD PANELS SUPPORTS AND DASH	13-006	
CAB, ROPS - MANUAL CASE	13-048	
CAB, ROPS - RESERVOIR	10-024	
CAB, ROPS - STATIC SEAT MOUNTING	13-026	
CAB, ROPS - SUSPENSION SEAT MOUNTING - W/O SEAT BELT RETRACTOR	13-028	
CAB, ROPS - SUSPENSION SEAT MOUNTING - W SEAT BELT RETRACTOR	13-040	
CAB, ROPS - WIRING	08-010	

INTRODUCTION

A L P H A B E T I C A L I N D E X

DESCRIPTION	PAGE NO.	FICHE GRID
CAB WIRING - ROPS CAB - 13/19	13-076	
CAM FOLLOWER COVER	12-068	
CAMSHAFT	12-060	
CANOPY HEADLINER AND FENDERS, ROPS	13-012	
CANOPY, ROPS - BATTERY AND MOUNTING	08-018	
CANOPY, ROPS - HOOD PANELS SUPPORTS AND DASH	13-002	
CANOPY, ROPS - MANUAL ENVELOPE	02-016	
CANOPY, ROPS - RESERVOIR	10-020	
CANOPY, ROPS - STATIC SEAT MOUNTING	13-018	
CANOPY, ROPS - SUSPENSION SEAT MOUNTING-W/O SEAT BELT RETRACTOR	13-026	
CANOPY, ROPS - SUSPENSION SEAT MOUNTING-W SEAT BELT RETRACTOR	13-038	
CANOPY, ROPS - SWEEPS AND REAR SCREENS	13-016	
CANOPY, ROPS - WIRING	08-010	
CANOPY, ROPS - WORK LIGHT	08-032	
CAP, LOCKING FILLER	02-014	
CASE, MANUAL - ROPS CAB	13-048	
CAVITATION VALVE, ANTI	10-062	
CENTER MOTOR AND BRACKET, FRONT - ROPS CAB - 17/19	13-088	
CHAIN GUIDES, ROLLER SHIELDS AND	14-014	
CHARGE AND SCAVENGE PUMP	07-020	
CHECK VALVE, LOAD	10-060	
CLEANER, AIR	12-010	
CLUSTER, GAUGE	11-006	
COMPLETE ASSEMBLY - ROPS CAB - 1/19	13-050	
COMPLETE TRANSMISSION	07-042	
CONNECTING LINKS	17-018	
CONNECTING ROD, PISTON AND	12-058	
CONNECTION, WATER INLET	12-100	
CONNECTIONS, FRAMES AND	09-002	
CONNECTIONS, HEATER AND	13-094	
CONNECTIONS, RADIATOR AND	06-002	
CONNECTIONS, STEERING CYLINDER	07-074	
CONTROL BRACKET AND HANDLE, VALVE	10-038	
CONTROL LEVER, FOURTH SPOOL	10-042	
CONTROL PANEL - ROPS CAB - 14/19	13-080	
CONTROL VALVE, FOUR SPOOL	10-046	
CONTROL VALVE, PILOT	07-040	
CONTROL VALVE, THREE SPOOL	10-044	
CONTROLS, BRAKE	04-002	
CONTROLS, ENGINE	12-012	
CONTROLS, EQUIPMENT VALVE - FOUR SPOOL VALVE	10-036	
CONTROLS, EQUIPMENT VALVE - THREE SPOOL VALVE	10-034	
CONTROLS, TRANSMISSION	07-036	
CONVERTER, TORQUE - ONE PIECE HOUSING - COMPLETE ASSY	07-030	
CONVERTER, TORQUE - TWO PIECE HOUSING - COMPLETE ASSY	07-022	
CONVERTER, TORQUE - TWO PIECE HOUSING - CONVERTER ASSY	07-026	
CONVERTER, TORQUE - TWO PIECE HOUSING - REAR HOUSING	07-028	
COOLER, LUBE OIL	12-074	
COUNTERSHAFT - TRANSMISSION	07-056	

INTRODUCTION

ALPHABETICAL INDEX

DESCRIPTION	PAGE NO.	FICHE GRID
COUPLING, FUEL PUMP	12-096	
COVER, ACCESSORY DRIVE	12-116	
COVER, CAM FOLLOWER	12-068	
COVER, FRONT GEAR	12-048	
COVER, HEATER REAR	13-098	
COVERS, SIDE INSULATION AND - ROPS CAB - 3/19	13-056	
COVERS, VALVE	12-034	
CRANKCASE AND TRANSMISSION GUARDS	09-008	
CRANKING MOTOR - NIPPON DENSO	08-026	
CRANKSHAFT	12-054	
CRANKSHAFT PULLEY	12-056	
CYLINDER, BLADE ANGLE	10-068	
CYLINDER, BLADE LIFT	10-064	
CYLINDER, BLADE TILT	10-066	
CYLINDER BLOCK - METRIC THREADS	12-046	
CYLINDER CONNECTIONS, STEERING	07-074	
CYLINDER HEAD	12-030	
CYLINDER, RIPPER	10-070	
CYLINDER, STEERING	07-076	

- D -

DASH, HOOD PANELS SUPPORTS AND - ROPS CAB	13-006	
DASH, HOOD PANELS SUPPORTS AND - ROPS CANOPY	13-002	
DECELERATOR OVER TRAVEL	12-016	
DECELERATOR PEDAL, RIGHT	12-020	
DETENT POSITIONER	10-056	
DIPSTICK	12-066	
DIRECTIONAL INPUT SHAFT - TRANSMISSION	07-054	
DOOR, LEFT ENTRY - ROPS CAB - 11/19	13-072	
DOOR LINKAGE, LEFT ENTRY - ROPS CAB - 12/19	13-074	
DOOR LINKAGE, RIGHT ENTRY - ROPS CAB - 10/19	13-070	
DOOR LOCKS - ROPS CAB - 8/19	13-066	
DOOR MOTOR AND BRACKET, LEFT - ROPS CAB - 17/19	13-088	
DOOR MOTOR AND BRACKET, RIGHT - ROPS CAB - 18/19	13-090	
DOOR, RESERVOIR	10-028	
DOOR, RIGHT ENTRY - ROPS CAB - 9/19	13-068	
DRAIN, TURBOCHARGER OIL	12-038	
DRAWBAR, RIGID	09-010	
DRIVE COVER, ACCESSORY	12-116	
DRIVE, FAN	12-106	
DRIVE, FINAL	07-082	
DRIVE LINE	07-002	
DRIVE, MECHANICAL TACH	12-118	
DRIVE SHAFT	07-034	
DRIVE, STEERING	07-078	
DRIVE TRAIN PIPING - CONVERTER LINES	07-008	
DRIVE TRAIN PIPING - CONVERTER SCAVENGE LINES	07-010	
DRIVE TRAIN PIPING - FOOT STEERING LINES	07-014	

INTRODUCTION

ALPHABETICAL INDEX

DESCRIPTION	PAGE NO.	FICHE GRID
DRIVE TRAIN PIPING - FRAME TO STRAINER TO PUMP TO FILTER .	07-004	
DRIVE TRAIN PIPING - HAND STEERING LINES	07-012	
DUO ADJUSTABLE STEERING LINK	05-004	

- E -

ENGINE - ACCESSORY DRIVE COVER	12-116	
ENGINE - AIR INTAKE MANIFOLD	12-036	
ENGINE - ALTERNATOR LOCATION	12-110	
ENGINE AND MOUNTING	12-002	
ENGINE ASSEMBLY	12-028	
ENGINE - BELT TENSIONER AND MOUNTING	12-112	
ENGINE - CAM FOLLOWER COVER	12-068	
ENGINE - CAMSHAFT	12-060	
ENGINE CONTROLS	12-012	
ENGINE - CRANKSHAFT	12-054	
ENGINE - CRANKSHAFT PULLEY	12-056	
ENGINE - CYLINDER BLOCK - METRIC THREADS	12-046	
ENGINE - CYLINDER HEAD	12-030	
ENGINE - DIPSTICK	12-066	
ENGINE - ENGINE VENT PLUMBING	12-108	
ENGINE - FAN BELT	12-112	
ENGINE - FAN DRIVE	12-106	
ENGINE - FLYWHEEL	12-052	
ENGINE - FLYWHEEL HOUSING	12-120	
ENGINE - FRONT GEAR COVER	12-048	
ENGINE - FUEL FILTER	12-082	
ENGINE - FUEL FILTER PLUMBING	12-078	
ENGINE - FUEL INJECTOR	12-084	
ENGINE - FUEL LIFT PUMP - PISTON TYPE OPERATION	12-094	
ENGINE - FUEL PLUMBING	12-076	
ENGINE - FUEL PUMP	12-088	
ENGINE - FUEL PUMP COUPLING	12-096	
ENGINE - GASKET SETS	12-124	
ENGINE - LIFTING BRACKET	12-122	
ENGINE - LUBE OIL COOLER	12-074	
ENGINE - LUBRICATING OIL PUMP	12-072	
ENGINE - MECHANICAL TACH DRIVE	12-118	
ENGINE - OIL PAN	12-050	
ENGINE - PISTON AND CONNECTING ROD	12-058	
ENGINE - ROCKER LEVERS	12-032	
ENGINE - THERMOSTAT AND HOUSING	12-104	
ENGINE - TURBOCHARGER	12-040	
ENGINE - TURBOCHARGER LOCATION	12-036	
ENGINE - TURBOCHARGER MOUNTING	12-040	
ENGINE - TURBOCHARGER OIL DRAIN	12-038	
ENGINE - VALVE COVERS	12-034	
ENGINE - VALVE TAPPET	12-062	
ENGINE VENT PLUMBING	12-108	

INTRODUCTION

ALPHABETICAL INDEX

DESCRIPTION	PAGE NO.	FICHE GRID
ENGINE - WATER INLET CONNECTION	12-100	
ENGINE - WATER PUMP	12-098	
ENTRY DOOR, LEFT - ROPS CAB - 11/19	13-072	
ENTRY DOOR LINKAGE, LEFT - ROPS CAB - 12/19	13-074	
ENTRY DOOR LINKAGE, RIGHT - ROPS CAB - 10/19	13-070	
ENTRY DOOR, RIGHT - ROPS CAB - 9/19	13-068	
ENVELOPE, MANUAL - ROPS CANOPY	02-016	
EQUIPMENT, BLADE - LOW GROUND PRESSURE	17-004	
EQUIPMENT, BLADE - STANDARD TRACK	17-002	
EQUIPMENT FILTER	10-030	
EQUIPMENT PUMP	10-032	
EQUIPMENT VALVE CONTROLS - FOUR SPOOL VALVE	10-036	
EQUIPMENT VALVE CONTROLS - THREE SPOOL VALVE	10-034	
ETHER START	12-026	
EXHAUST SYSTEM	12-006	
EXTINGUISHER, FIRE	02-018	

- F -

FAN BELT	12-112	
FAN, BLOWER	06-008	
FAN DRIVE	12-106	
FAN, REVERSIBLE	06-010	
FAN SHROUDS AND GUARDS	06-006	
FENDERS, ROPS CAB AND	13-020	
FENDERS, ROPS CANOPY HEADLINER AND	13-018	
FILLER CAP, LOCKING	02-014	
FILTER, EQUIPMENT	10-030	
FILTER, FUEL	12-082	
FILTER PLUMBING, FUEL	12-078	
FILTER, PRESSURE - DRIVE TRAIN	07-018	
FINAL DRIVE	07-082	
FIRE EXTINGUISHER	02-018	
FLYWHEEL	12-052	
FLYWHEEL HOUSING	12-120	
FOLLOWER COVER, CAM	12-068	
FOOT STEERING	05-006	
FOOT STEERING BRACKET	05-010	
FOUR SPOOL CONTROL VALVE	10-046	
FOURTH SPOOL CONTROL LEVER	10-042	
FRAME, BLADE AND ANGLING - LOW GROUND PRESSURE	17-008	
FRAME, BLADE AND ANGLING - STANDARD TRACK	17-006	
FRAME, BLADE ANGLING	17-010	
FRAME, C	17-012	
FRAME, REAR MAIN	09-010	
FRAMES AND CONNECTIONS	09-002	
FRONT CENTER MOTOR AND BRACKET - ROPS CAB - 17/19	13-088	
FRONT GEAR COVER	12-048	
FRONT IDLER	14-010	

INTRODUCTION

ALPHABETICAL INDEX

DESCRIPTION	PAGE NO.	FICHE GRID
FUEL FILTER	12-082	
FUEL FILTER PLUMBING	12-078	
FUEL INJECTOR	12-084	
FUEL LIFT PUMP - PISTON TYPE OPERATION	12-094	
FUEL LINES	12-022	
FUEL PIPING	12-022	
FUEL PLUMBING	12-076	
FUEL PUMP	12-088	
FUEL PUMP COUPLING	12-096	
FUEL TANK	12-022	

- G -

GASKET SETS	12-124	
GAUGE CLUSTER	11-006	
GEAR COVER, FRONT	12-048	
GRAPHICS, PRODUCT - ENGLISH LANGUAGE	02-002	
GRAPHICS, PRODUCT - FOREIGN LANGUAGE	02-006	
GROUND PRESSURE, LOW - 24 IN SWAMP SHOES	15-008	
GROUND PRESSURE, LOW - 24 IN TRACK SHOES	15-006	
GROUND PRESSURE, LOW - BLADE AND ANGLING FRAME	17-008	
GROUND PRESSURE, LOW - BLADE EQUIPMENT	17-004	
GUARDS, CRANKCASE AND TRANSMISSION	09-008	
GUARDS, FAN SHROUDS AND	06-006	
GUIDES, ROLLER SHIELDS AND CHAIN	14-014	

- H -

HAND STEERING	05-002	
HAND TYPE LUBRICATOR	02-022	
HANDLE, VALVE CONTROL BRACKET AND	10-038	
HEAD, CYLINDER	12-030	
HEADLINER AND FENDERS, ROPS CANOPY	13-012	
HEADLINERS AND INSULATION - ROPS CAB - 2/19	13-054	
HEATER AND CONNECTIONS	13-094	
HEATER REAR COVER	13-098	
HOOD PANELS SUPPORTS AND DASH - ROPS CAB	13-006	
HOOD PANELS SUPPORTS AND DASH - ROPS CANOPY	13-002	
HOOD, PERFORATED	13-012	
HOOD, SOLID	13-010	
HOUSING AND INTERNAL PARTS - TRANSMISSION	07-050	
HOUSING, FLYWHEEL	12-120	
HOUSING, THERMOSTAT AND	12-104	
HYDRAULIC PIPING - BLADE LIFT	10-006	
HYDRAULIC PIPING - BLADE ANGLE	10-010	
HYDRAULIC PIPING - BLADE TILT	10-014	
HYDRAULIC PIPING - RESERVOIR TO PUMP & VALVE	10-002	
HYDRAULIC PIPING - RIPPER	10-018	

- I -

INTRODUCTION

ALPHABETICAL INDEX

DESCRIPTION	PAGE NO.	FICHE GRID
IDLER, FRONT	14-010	
IDLER SHAFT, REVERSE - TRANSMISSION	07-058	
IDLER, TOP	14-006	
INJECTOR, FUEL	12-084	
INLET CONNECTION, WATER	12-100	
INPUT SHAFT, DIRECTIONAL - TRANSMISSION	07-054	
INSTRUMENT PANEL	11-002	
INSULATION AND COVERS, SIDE - ROPS CAB - 3/19	13-056	
INSULATION, HEADLINERS AND - ROPS CAB - 2/19	13-054	
INTAKE MANIFOLD, AIR	12-036	
INTAKE SYSTEM, AIR	12-006	
INTERNAL PARTS, HOUSING AND - TRANSMISSION	07-050	

- L -

LEFT DOOR MOTOR AND BRACKET - ROPS CAB - 17/19	13-088	
LEFT ENTRY DOOR LINKAGE - ROPS CAB - 12/19	13-074	
LEFT ENTRY DOOR - ROPS CAB - 11/19	13-072	
LEFT SIDE WINDOW - ROPS CAB - 7/19	13-064	
LEVER, FOURTH SPOOL CONTROL	10-042	
LEVERS, ROCKER	12-032	
LEVERS, SHOES AND	04-014	
LIFT CYLINDER, BLADE	10-064	
LIFT PUMP, FUEL - PISTON TYPE OPERATION	12-094	
LIFT SECTION, BLADE	10-050	
LIFTING BRACKET	12-122	
LIGHT, WORK - ROPS CAB - 15/19	13-082	
LIGHT, WORK - ROPS CANOPY	08-032	
LINE, DRIVE	07-002	
LINES, FUEL	12-022	
LINK, DUO ADJUSTABLE STEERING	05-004	
LINK, MULTIPLE NOTCH MASTER - LUBRICATED TRACK SYSTEM	15-012	
LINK, SINGLE NOTCH MASTER - LUBRICATED TRACK SYSTEM	15-010	
LINKAGE, LEFT ENTRY DOOR - ROPS CAB - 12/19	13-074	
LINKAGE, RIGHT ENTRY DOOR - ROPS CAB - 9/19	13-068	
LINKS, CONNECTING	17-018	
LOAD CHECK VALVE	10-060	
LOCATION, ALTERNATOR	12-110	
LOCATION, TURBOCHARGER	12-036	
LOCKING FILLER CAP	02-014	
LOCKS, DOOR - ROPS CAB - 8/19	13-066	
LOW GROUND PRESSURE - 24 IN SWAMP SHOES	15-008	
LOW GROUND PRESSURE - 24 IN TRACK SHOES	15-006	
LOW GROUND PRESSURE - BLADE AND ANGLING FRAME	17-008	
LOW GROUND PRESSURE - BLADE EQUIPMENT	17-004	
LUBE OIL COOLER	12-074	
LUBRICATED TRACK SYSTEM - MULTIPLE NOTCH MASTER LINK	15-012	
LUBRICATED TRACK SYSTEM - SINGLE NOTCH MASTER LINK	15-010	
LUBRICATING OIL PUMP	12-072	

INTRODUCTION

ALPHABETICAL INDEX

DESCRIPTION	PAGE NO.	FICHE GRID
LUBRICATOR, HAND TYPE	02-022	
LUBRICATOR, TANK TYPE	02-020	
- M -		
MAIN FRAME, REAR	09-010	
MANIFOLD, AIR INTAKE	12-036	
MANUAL CASE - ROPS CAB	13-048	
MANUAL ENVELOPE - ROPS CANOPY	02-016	
MASTER LINK, MULTIPLE NOTCH - LUBRICATED TRACK SYSTEM	15-012	
MASTER LINK, SINGLE NOTCH - LUBRICATED TRACK SYSTEM	15-010	
MECHANICAL TACH DRIVE	12-118	
MOTOR AND BRACKET, FRONT CENTER - ROPS CAB - 17/19	13-088	
MOTOR AND BRACKET, LEFT DOOR - ROPS CAB - 17/19	13-088	
MOTOR AND BRACKET, REAR WINDOW - ROPS CAB - 19/19	13-092	
MOTOR AND BRACKET, RIGHT DOOR - ROPS CAB - 18/19	13-090	
MOTOR, CRANKING - NIPPON DENSO	08-026	
MOUNTING, BATTERY AND - ROPS CAB	08-022	
MOUNTING, BATTERY AND - ROPS CANOPY	08-020	
MOUNTING, BELT TENSIONER AND	12-112	
MOUNTING, ENGINE	12-002	
MOUNTING, ENGINE AND	12-002	
MOUNTING, STATIC SEAT - ROPS CAB	13-026	
MOUNTING, STATIC SEAT - ROPS CANOPY	13-018	
MOUNTING, SUSPENSION SEAT - ROPS CAB - W/O SEAT BELT RETRACTOR	13-028	
MOUNTING, SUSPENSION SEAT - ROPS CAB - W SEAT BELT RETRACTOR	13-040	
MOUNTING, SUSPENSION SEAT - ROPS CANOPY-W/O SEAT BELT RETRACTOR	13-026	
MOUNTING, SUSPENSION SEAT - ROPS CANOPY-W SEAT BELT RETRACTOR	13-038	
MOUNTING, TURBOCHARGER	12-040	
MULTIPLE NOTCH MASTER LINK - LUBRICATED TRACK SYSTEM	15-012	
- O -		
OIL COOLER, LUBE	12-074	
OIL DRAIN, TURBOCHARGER	12-038	
OIL PAN	12-050	
OIL PUMP, LUBRICATING	12-072	
OUTPUT SHAFT, RANGE - TRANSMISSION	07-060	
OVER TRAVEL, DECELERATOR	12-016	
OVER TRAVEL THROTTLE	12-018	
- P -		
PAD, BRAKE	04-006	
PAN, OIL	12-050	
PANEL, CONTROL - ROPS CAB - 14/19	13-080	
PANEL, INSTRUMENT	11-002	
PANELS SUPPORTS AND DASH, HOOD - ROPS CAB	13-006	
PANELS SUPPORTS AND DASH, HOOD - ROPS CANOPY	13-002	

INTRODUCTION

ALPHABETICAL INDEX

DESCRIPTION	PAGE NO.	FICHE GRID
PARTS, HOUSING AND INTERNAL - TRANSMISSION	07-050	
PEDAL AND BRACKET, BRAKE - W/O DECELERATOR PEDAL	04-010	
PEDAL AND BRACKET, BRAKE - WITH DECELERATOR PEDAL	04-012	
PEDAL AND BRACKET, RIGHT	05-012	
PEDAL, RIGHT DECELERATOR	12-020	
PERFORATED HOOD	13-012	
PILOT CONTROL VALVE	07-040	
PIPING, DRIVE TRAIN - CONVERTER LINES	07-008	
PIPING, DRIVE TRAIN - CONVERTER SCAVENGE LINES	07-010	
PIPING, DRIVE TRAIN - FOOT STEERING LINES	07-014	
PIPING, DRIVE TRAIN - FRAME TO STRAINER TO PUMP TO FILTER	07-004	
PIPING, DRIVE TRAIN - HAND STEERING LINES	07-012	
PIPING, FUEL	12-022	
PIPING, HYDRAULIC - BLADE ANGLE	10-010	
PIPING, HYDRAULIC - BLADE TILT	10-014	
PIPING, HYDRAULIC - RESERVOIR TO PUMP & VALVE	10-002	
PIPING, HYDRAULIC - RIPPER	10-018	
PISTON AND CONNECTING ROD	12-058	
PLUMBING, ENGINE VENT	12-108	
PLUMBING, FUEL	12-076	
PLUMBING, FUEL FILTER	12-082	
POSITIONER, DETENT	10-050	
POSITIONER, SPOOL	10-052	
PRESSURE FILTER - DRIVE TRAIN	07-018	
PRESSURE, LOW GROUND - 24 IN SWAMP SHOES	15-008	
PRESSURE, LOW GROUND - 24 IN TRACK SHOES	15-006	
PRESSURE, LOW GROUND - BLADE AND ANGLING FRAME	17-008	
PRESSURE, LOW GROUND - BLADE EQUIPMENT	17-004	
PRESSURE REGULATOR VALVE - TRANSMISSION	07-064	
PRODUCT GRAPHICS - ENGLISH LANGUAGE	02-002	
PRODUCT GRAPHICS - FOREIGN LANGUAGE	02-006	
PULLEY, CRANKSHAFT	12-056	
PUMP, CHARGE AND SCAVENGE	07-020	
PUMP COUPLING, FUEL	12-096	
PUMP, EQUIPMENT	10-026	
PUMP, FUEL	12-088	
PUMP, FUEL LIFT - PISTON TYPE OPERATION	12-094	
PUMP, LUBRICATING OIL	12-072	
PUMP, WATER	12-098	

- R -

RADIATOR	06-004	
RADIATOR AND CONNECTIONS	06-002	
RANGE OUTPUT SHAFT - TRANSMISSION	07-060	
RANGE SELECTOR VALVE - TRANSMISSION	07-066	
RATE OF RISE VALVE - TRANSMISSION	07-068	
RATE OF RISE VALVE - TRANSMISSION	07-070	
REAR COVER, HEATER	13-098	

INTRODUCTION

ALPHABETICAL INDEX

DESCRIPTION	PAGE NO.	FICHE GRID
REAR MAIN FRAME	09-006	
REAR SCREENS, SWEEPS AND - ROPS CANOPY	13-016	
REAR WINDOW MOTOR AND BRACKET - ROPS CAB - 19/19	13-092	
REAR WINDOW - ROPS CAB - 5/19	13-060	
REGULATOR VALVE, PRESSURE - TRANSMISSION	07-064	
RELIEF VALVE, SYSTEM	10-048	
RESERVOIR DOOR	10-028	
RESERVOIR - ROPS CAB	10-024	
RESERVOIR - ROPS CANOPY	10-022	
REVERSE IDLER SHAFT - TRANSMISSION	07-058	
REVERSIBLE FAN	06-010	
RIGHT DECELERATOR PEDAL	12-020	
RIGHT DOOR MOTOR AND BRACKET - ROPS CAB - 18/19	13-090	
RIGHT ENTRY DOOR LINKAGE - ROPS CAB - 10/19	13-070	
RIGHT ENTRY DOOR - ROPS CAB - 9/19	13-068	
RIGHT PEDAL AND BRACKET	05-012	
RIGHT SIDE WINDOW - ROPS CAB - 6/19	13-062	
RIGID DRAWBAR	09-010	
RIPPER	17-014	
RIPPER CYLINDER	10-070	
RIPPER SECTION	10-054	
RIPPER SHANK	17-020	
RISE VALVE, RATE OF - TRANSMISSION	07-068	
RISE VALVE, RATE OF - TRANSMISSION	07-070	
ROCKER LEVERS	12-032	
ROD, PISTON AND CONNECTING	12-058	
ROLLER SHIELDS AND CHAIN GUIDES	14-014	
ROLLER, TRACK	14-008	
ROPS CAB - 1/19 - COMPLETE ASSEMBLY	13-050	
ROPS CAB - 10/19 - RIGHT ENTRY DOOR LINKAGE	13-070	
ROPS CAB - 11/19 - LEFT ENTRY DOOR	13-072	
ROPS CAB - 12/19 - LEFT ENTRY DOOR LINKAGE	13-074	
ROPS CAB - 13/19 - CAB WIRING	13-076	
ROPS CAB - 14/19 - CONTROL PANEL	13-080	
ROPS CAB - 15/19 - WORK LIGHT	13-082	
ROPS CAB - 16/19 - WIPER AND WASHER SYSTEM	13-084	
ROPS CAB - 17/19 - FRONT CENTER MOTOR AND BRACKET	13-088	
ROPS CAB - 17/19 - LEFT DOOR MOTOR AND BRACKET	13-088	
ROPS CAB - 18/19 - RIGHT DOOR MOTOR AND BRACKET	13-090	
ROPS CAB - 2/19 - HEADLINERS AND INSULATION	13-054	
ROPS CAB - 19/19 - REAR WINDOW MOTOR AND BRACKET	13-092	
ROPS CAB - 3/19 - SIDE INSULATION AND COVERS	13-056	
ROPS CAB - 4/19 - AIR FILTER BOX	13-058	
ROPS CAB - 6/19 - RIGHT SIDE WINDOW	13-062	
ROPS CAB - 7/19 - LEFT SIDE WINDOW	13-064	
ROPS CAB - 5/19 - REAR WINDOW	13-060	
ROPS CAB - 8/19 - DOOR LOCKS	13-066	
ROPS CAB - 9/19 - RIGHT ENTRY DOOR	13-068	
ROPS CAB AND ACCESSORIES	13-044	

INTRODUCTION

ALPHABETICAL INDEX

DESCRIPTION	PAGE NO.	FICHE GRID
ROPS CAB AND FENDERS	13-014	
ROPS CAB - BATTERY AND MOUNTING	08-022	
ROPS CAB - HOOD PANELS SUPPORTS AND DASH	13-006	
ROPS CAB - MANUAL CASE	13-048	
ROPS CAB - RESERVOIR	10-024	
ROPS CAB - STATIC SEAT MOUNTING	13-026	
ROPS CAB - SUSPENSION SEAT MOUNTING - W/O SEAT BELT RETRACTOR	13-028	
ROPS CAB - SUSPENSION SEAT MOUNTING - W SEAT BELT RETRACTOR	13-040	
ROPS CAB - WIRING	08-010	
ROPS CANOPY - BATTERY AND MOUNTING	08-018	
ROPS CANOPY HEADLINER AND FENDERS	13-012	
ROPS CANOPY - HOOD PANELS SUPPORTS AND DASH	13-002	
ROPS CANOPY - MANUAL ENVELOPE	02-016	
ROPS CANOPY - RESERVOIR	10-020	
ROPS CANOPY - STATIC SEAT MOUNTING	13-018	
ROPS CANOPY - SUSPENSION SEAT MOUNTING-W/O SEAT BELT RETRACTOR	13-026	
ROPS CANOPY - SUSPENSION SEAT MOUNTING - W SEAT BELT RETRACTOR	13-038	
ROPS CANOPY - SWEEPS AND REAR SCREENS	13-016	
ROPS CANOPY - WIRING	08-002	
ROPS CANOPY - WORK LIGHT	08-032	

- S -

SCAVENGE PUMP, CHARGE AND	07-020	
SCREENS, SWEEPS AND REAR - ROPS CANOPY	13-016	
SEAT MOUNTING, STATIC - ROPS CAB	13-026	
SEAT MOUNTING, STATIC - ROPS CANOPY	13-018	
SEAT MOUNTING, SUSPENSION - ROPS CAB - W/O SEAT BELT RETRACTOR	13-028	
SEAT MOUNTING, SUSPENSION - ROPS CAB - W SEAT BELT RETRACTOR	13-040	
SEAT MOUNTING, SUSPENSION - ROPS CANOPY-W/O SEAT BELT RETRACTOR	13-026	
SEAT MOUNTING, SUSPENSION - ROPS CANOPY-W SEAT BELT RETRACTOR	13-038	
SEAT, STATIC	13-030	
SEAT, SUSPENSION - COMPLETE ASSY - W/O SEAT BELT RETRACTOR	13-032	
SEAT, SUSPENSION - COMPLETE ASSY - W SEAT BELT RETRACTOR	13-042	
SEAT, SUSPENSION - LOWER SUSPENSION	13-034	
SECTION, BLADE ANGLE	10-054	
SECTION, BLADE LIFT	10-052	
SECTION, BLADE TILT	10-054	
SECTION, RIPPER	10-054	
SELECTOR VALVE, RANGE - TRANSMISSION	07-066	
SETS, GASKET	12-124	
SHAFT, DIRECTIONAL INPUT - TRANSMISSION	07-054	
SHAFT, DRIVE	07-034	
SHAFT, RANGE OUTPUT - TRANSMISSION	07-060	
SHAFT, REVERSE IDLER - TRANSMISSION	07-058	
SHANK, RIPPER	17-020	
SHIELDS AND CHAIN GUIDES, ROLLER	14-014	
SHOES, 18 IN TRACK - STANDARD TRACK	15-002	
SHOES, 20 IN TRACK - STANDARD TRACK	15-004	

INTRODUCTION

ALPHABETICAL INDEX

DESCRIPTION	PAGE NO.	FICHE GRID
SHOES, 24 IN SWAMP - LOW GROUND PRESSURE	15-008	
SHOES, 24 IN TRACK - LOW GROUND PRESSURE	15-006	
SHOES AND LEVERS	04-014	
SHOES, BRAKE OR STEERING	04-016	
SHROUDS AND GUARDS, FAN	06-006	
SIDE INSULATION AND COVERS -- ROPS CAB - 3/19	13-056	
SIDE WINDOW, LEFT - ROPS CAB - 7/19	13-064	
SIDE WINDOW, RIGHT - ROPS CAB - 6/19	13-062	
SINGLE NOTCH MASTER LINK - LUBRICATED TRACK SYSTEM	15-010	
SOLID HOOD	13-008	
SPOOL CONTROL VALVE, FOUR	10-046	
SPOOL CONTROL VALVE, THREE	10-044	
SPOOL POSITIONER	10-058	
STANDARD TRACK - 18 IN TRACK SHOES	15-002	
STANDARD TRACK - 20 IN TRACK SHOES	15-004	
STANDARD TRACK - BLADE AND ANGLING FRAME	17-006	
STANDARD TRACK - BLADE EQUIPMENT	17-002	
START, ETHER	12-026	
STATIC SEAT	13-030	
STATIC SEAT MOUNTING - ROPS CAB	13-026	
STATIC SEAT MOUNTING - ROPS CANOPY	13-018	
STEERING BRACKET, FOOT	05-010	
STEERING CYLINDER	07-076	
STEERING CYLINDER CONNECTIONS	07-074	
STEERING DRIVE	07-078	
STEERING, FOOT	05-006	
STEERING, HAND	05-002	
STEERING LINK, DUO ADJUSTABLE	05-004	
STEERING SHOES, BRAKE OR	04-016	
STEERING VALVE	07-072	
STRAINER, SUCTION	07-016	
SUCTION STRAINER	07-016	
SUPPORT BRACKET, BRAKE	04-008	
SUPPORTS AND DASH, HOOD PANELS - ROPS CAB	13-006	
SUPPORTS AND DASH, HOOD PANELS - ROPS CANOPY	13-002	
SUSPENSION SEAT - COMPLETE ASSY - W/O SEAT BELT RETRACTOR	13-032	
SUSPENSION SEAT - COMPLETE ASSY - W SEAT BELT RETRACTOR	13-042	
SUSPENSION SEAT - LOWER SUSPENSION	13-034	
SUSPENSION SEAT MOUNTING - ROPS CAB - W/O SEAT BELT RETRACTOR	13-028	
SUSPENSION SEAT MOUNTING - ROPS CAB - W SEAT BELT RETRACTOR	13-040	
SUSPENSION SEAT MOUNTING - ROPS CANOPY-W/O SEAT BELT RETRACTOR	13-026	
SUSPENSION SEAT MOUNTING - ROPS CANOPY-W SEAT BELT RETRACTOR	13-038	
SWAMP SHOES, 24 IN - LOW GROUND PRESSURE	15-008	
SWEEPS AND REAR SCREENS - ROPS CANOPY	13-016	
SYSTEM, AIR INTAKE	12-006	
SYSTEM, EXHAUST	12-006	
SYSTEM, LUBRICATED TRACK - MULTIPLE NOTCH MASTER LINK	15-012	
SYSTEM, LUBRICATED TRACK - SINGLE NOTCH MASTER LINK	15-010	
SYSTEM RELIEF VALVE	10-048	

INTRODUCTION

ALPHABETICAL INDEX

DESCRIPTION	PAGE NO.	FICHE GRID
SYSTEM, WIPER AND WASHER - ROPS CAB - 16/19	13-084	
- T -		
TACH DRIVE, MECHANICAL	12-118	
TANK, FUEL	12-022	
TANK TYPE LUBRICATOR	02-020	
TAPPET, VALVE	12-062	
TENSIONER AND MOUNTING, BELT	12-112	
THERMOSTAT AND HOUSING	12-104	
THREE SPOOL CONTROL VALVE	10-044	
THROTTLE, OVER TRAVEL	12-018	
TILT CYLINDER, BLADE	10-066	
TILT SECTION, BLADE	10-052	
TOP IDLER	14-006	
TORQUE CONVERTER - ONE PIECE HOUSING - COMPLETE ASSY	07-030	
TORQUE CONVERTER - TWO PIECE HOUSING - COMPLETE ASSY	07-022	
TORQUE CONVERTER - TWO PIECE HOUSING - CONVERTER ASSY	07-026	
TORQUE CONVERTER - TWO PIECE HOUSING - REAR HOUSING	07-028	
TRACK ADJUSTER	14-012	
TRACK ROLLER	14-008	
TRACK SHOES, 18 IN - STANDARD TRACK	15-002	
TRACK SHOES, 20 IN - STANDARD TRACK	15-004	
TRACK SHOES, 24 IN - LOW GROUND PRESSURE	15-006	
TRACK, STANDARD - 18 IN TRACK SHOES	15-002	
TRACK, STANDARD - 20 IN TRACK SHOES	15-004	
TRACK, STANDARD - BLADE AND ANGLING FRAME	17-006	
TRACK, STANDARD - BLADE EQUIPMENT	17-002	
TRACK SYSTEM, LUBRICATED - MULTIPLE NOTCH MASTER LINK	15-012	
TRACK SYSTEM, LUBRICATED - SINGLE NOTCH MASTER LINK	15-010	
TRANSMISSION, COMPLETE	07-042	
TRANSMISSION CONTROLS	07-036	
TRANSMISSION - COUNTERSHAFT	07-056	
TRANSMISSION - DIRECTIONAL INPUT SHAFT	07-054	
TRANSMISSION GUARDS, CRANKCASE AND	09-012	
TRANSMISSION - HOUSING AND INTERNAL PARTS	07-050	
TRANSMISSION - PRESSURE REGULATOR VALVE	07-064	
TRANSMISSION - RANGE OUTPUT SHAFT	07-060	
TRANSMISSION - RANGE SELECTOR VALVE	07-066	
TRANSMISSION - RATE OF RISE VALVE	07-070	
TRANSMISSION - RATE OF RISE VALVE	07-068	
TRANSMISSION - REVERSE IDLER SHAFT	07-058	
TRANSMISSION WITH VALVES	07-046	
TRAVEL, DECELERATOR OVER	12-016	
TRAVEL THROTTLE, OVER	12-018	
TURBOCHARGER	12-040	
TURBOCHARGER LOCATION	12-036	
TURBOCHARGER MOUNTING	12-040	
TURBOCHARGER OIL DRAIN	12-038	

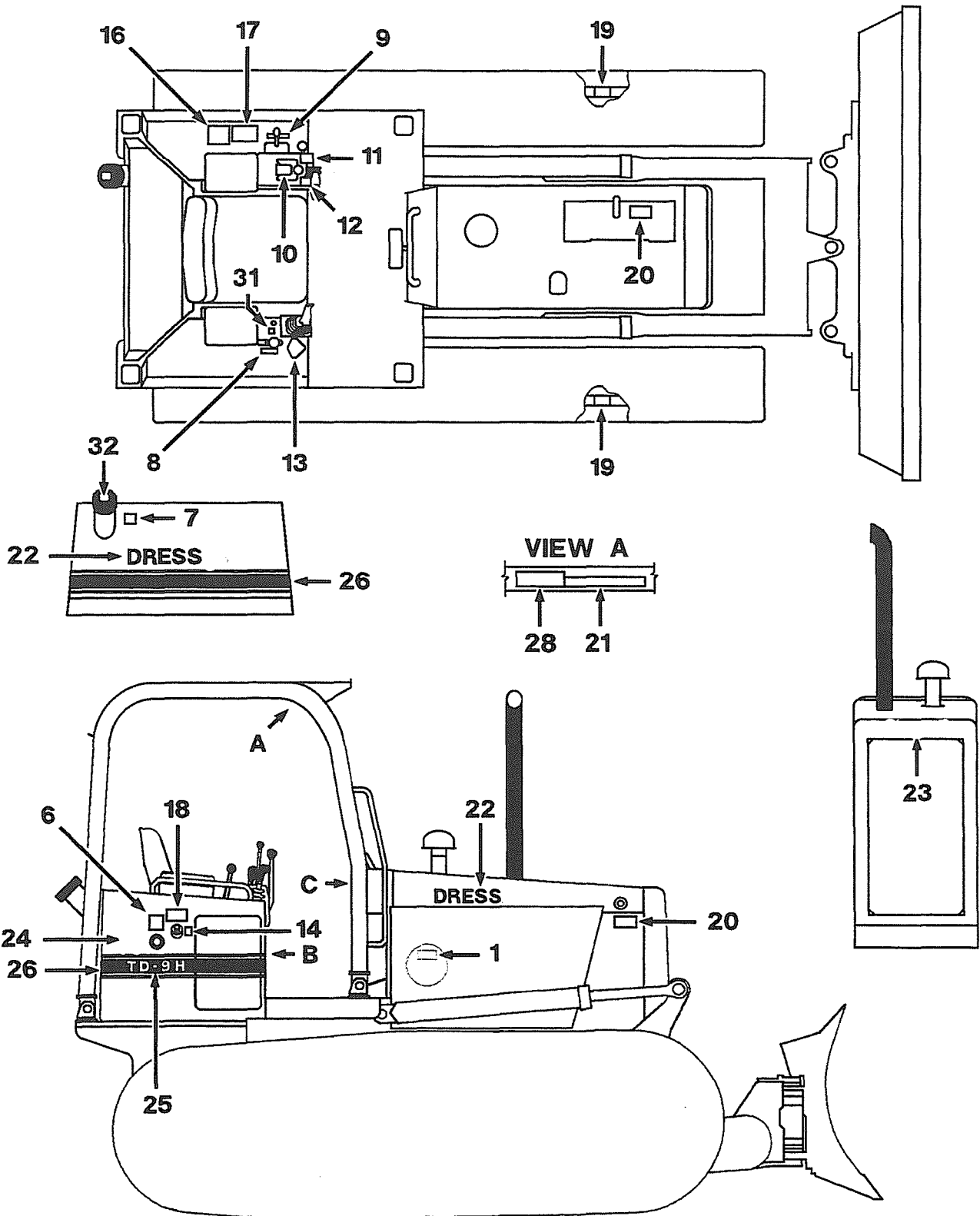
INTRODUCTION

ALPHABETICAL INDEX

DESCRIPTION	PAGE NO.	FICHE GRID
- U -		
UNDERCARRIAGE	14-002	
UP ALARM, BACK	08-064	
- V -		
VALVE, ANTI CAVITATION	10-062	
VALVE CONTROL BRACKET AND HANDLE	10-038	
VALVE CONTROLS, EQUIPMENT - FOUR SPOOL VALVE	10-036	
VALVE CONTROLS, EQUIPMENT - THREE SPOOL VALVE	10-034	
VALVE COVERS	12-034	
VALVE, FOUR SPOOL CONTROL	10-046	
VALVE, LOAD CHECK	10-060	
VALVE, PILOT CONTROL	07-040	
VALVE, PRESSURE REGULATOR - TRANSMISSION	07-064	
VALVE, RANGE SELECTOR - TRANSMISSION	07-066	
VALVE, RATE OF RISE - TRANSMISSION	07-070	
VALVE, RATE OF RISE - TRANSMISSION	07-068	
VALVE, STEERING	07-072	
VALVE, SYSTEM RELIEF	10-048	
VALVE TAPPET	12-062	
VALVE, THREE SPOOL CONTROL	10-044	
VALVES, TRANSMISSION WITH	07-046	
VENT PLUMBING, ENGINE	12-108	
- W -		
WASHER SYSTEM, WIPER AND - ROPS CAB - 16/19	13-084	
WATER INLET CONNECTION	12-100	
WATER PUMP	12-098	
WINDOW, LEFT SIDE - ROPS CAB - 7/19	13-064	
WINDOW MOTOR AND BRACKET, REAR - ROPS CAB - 19/19	13-092	
WINDOW, REAR - ROPS CAB - 5/19	13-060	
WINDOW, RIGHT SIDE - ROPS CAB - 6/19	13-062	
WIPER AND WASHER SYSTEM - ROPS CAB - 16/19	13-084	
WIRING, CAB - ROPS CAB - 13/19	13-076	
WIRING - ROPS CAB	08-010	
WIRING - ROPS CANOPY	08-002	
WITH VALVES, TRANSMISSION	07-046	
WORK LIGHT - ROPS CAB - 15/19	13-082	
WORK LIGHT - ROPS CANOPY	08-032	

MISCELLANEOUS

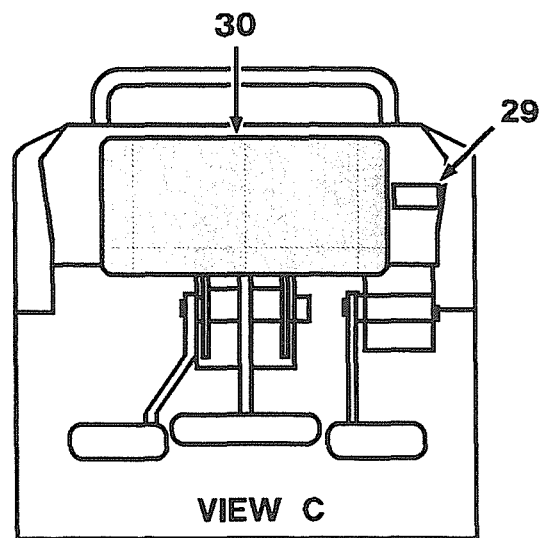
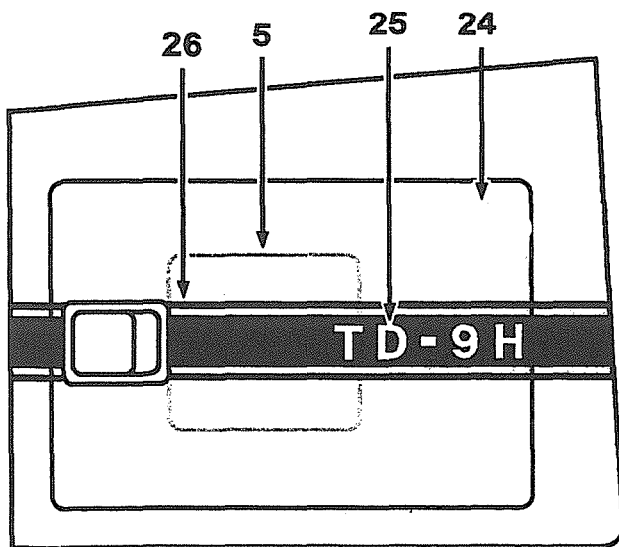
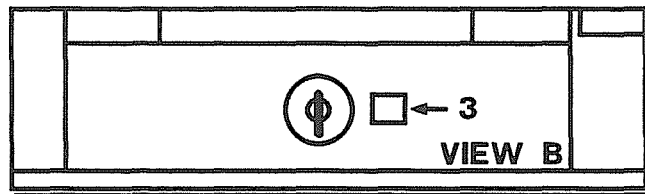
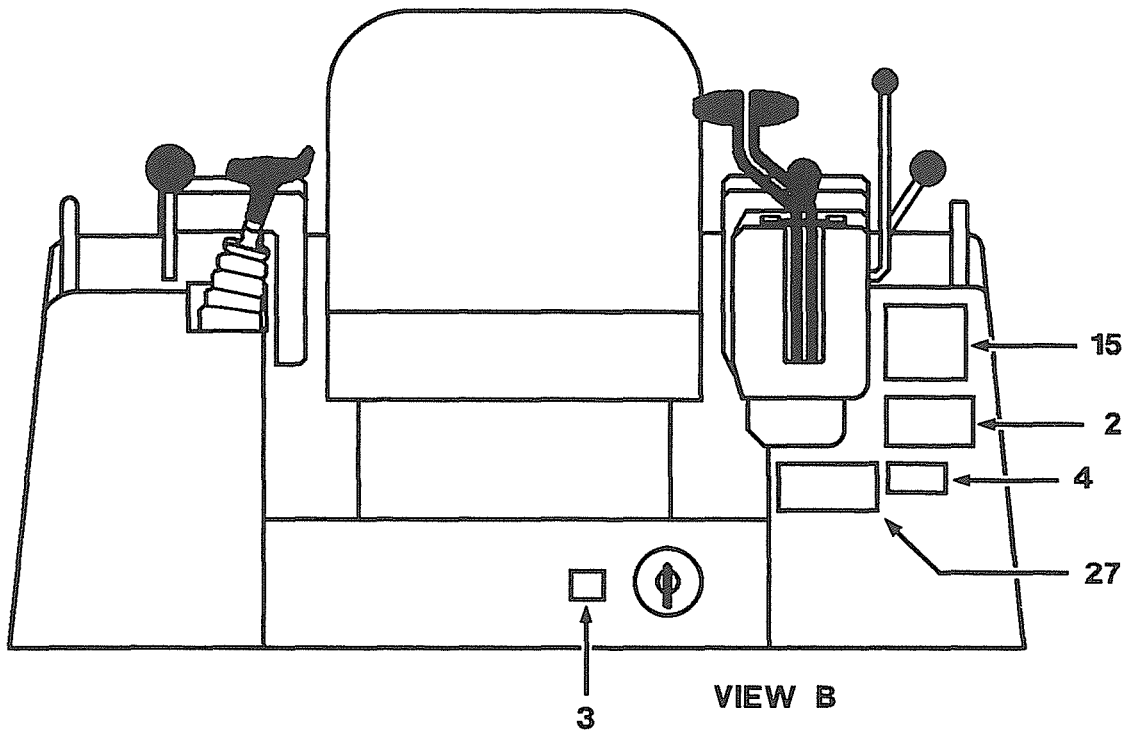
PRODUCT GRAPHICS
ENGLISH LANGUAGE



C02AD007

MISCELLANEOUS

PRODUCT GRAPHICS
ENGLISH LANGUAGE



C02AD008

MISCELLANEOUS

PRODUCT GRAPHICS ENGLISH LANGUAGE

Item	Part Number	Description	Qty.	Ref.
	1281 644 H91	PACKAGE, INSTRUCTIONAL	1	F1
1	736 833 C2	.IMPORTANT, AIR CLEANER	1	
2	2754 282 R3	.IMPORTANT, ALTERNATOR INSTRUCTIONS	1	
3	1107 479 C1	.MASTER SWITCH	1	
4	742 356 C1	.PATENT MARKING	1	
5	1270 397 H3	.SERVICE CHART	1	
6	1277 986 H2	.OIL LEVEL	1	
7	1208 069 H1	.FUEL	1	
8	1281 363 H1	.RIPPER CONTROL	1	
9	1281 303 H1	.GOVERNOR CONTROL	1	
10	1270 918 H1	.SHIFT DIAGRAM	1	
11	1270 935 H1	.SAFETY LEVER	1	
12	1270 930 H1	.HAND STEERING CONTROL	1	
13	1270 941 H1	.BLADE CONTROL	1	
14	1299 031 H1	.HYDRAULIC OIL	1	
	1281 645 H91	PACKAGE, PERSONAL SAFETY	1	F1
15	737 994 C3	.CAUTION, GENERAL	1	
16	1120 363 C2	.CAUTION, SAFETY	1	
17	628 135 C4	.CAUTION, INSTRUCTION	1	
18	2754 473 R3	.CAUTION, PRESSURIZED RESERVOIR	1	
19	655 434 C2	.CAUTION, TRACK ADJUSTER	2	
20	667 460 C2	.CAUTION, DOOR	3	
21	737 993 C2	.CAUTION, ROPS	1	
	1281 646 H92	PACKAGE, IDENTIFICATION	1	F1
22	1212 543 H1	.DRESSER - SIDE AND REAR	3	
23	1212 541 H1	.DRESSER - FRONT	1	
24	1212 890 H1	.DRESSER D	2	
25	1270 382 H1	.MODEL DESIGNATION: TD-9H	2	
26		.STRIPE - 105 IN LONG	1	F2
27	NSS	PIN, PLATE	1	
	145 387	SCREW, MOUNTING - #12x1/2	4	
28	NSS	PLATE, ROPS I D	1	
	145 373	SCREW, MOUNTING - #6x1/4	4	
29	2753 630 R2	INJECTOR, ETHER	1	
30		PANEL, INSTRUMENT (SEE PG 11-002)	1	
31	1308 073 H1	WARNING HORN	1	

CONTINUED ON NEXT PAGE

MISCELLANEOUS

PRODUCT GRAPHICS
ENGLISH LANGUAGE

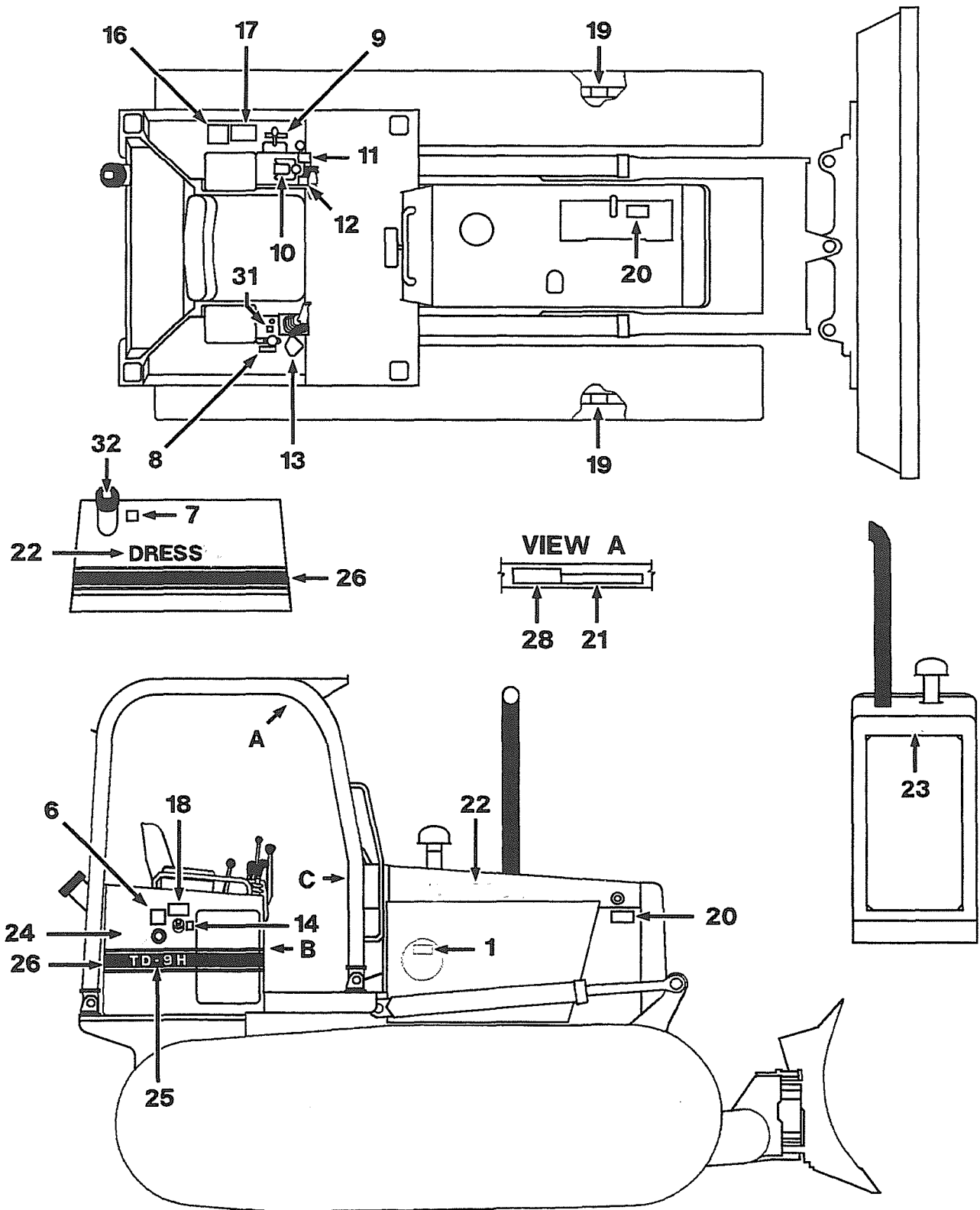
Item	Part Number	Description	Qty.	Ref.
32		LOCK/UNLOCK (SEE PG 02-014)	1	
	743 446 C2	STRIPE, BULK		AR

F1 - PACKAGE CONTAINS PRODUCT GRAPHICS NOT REQUIRED ON THIS MACHINE.

F2 - CUT REQUIRED LENGTH FROM BULK STRIPE 743 446 C2.

MISCELLANEOUS

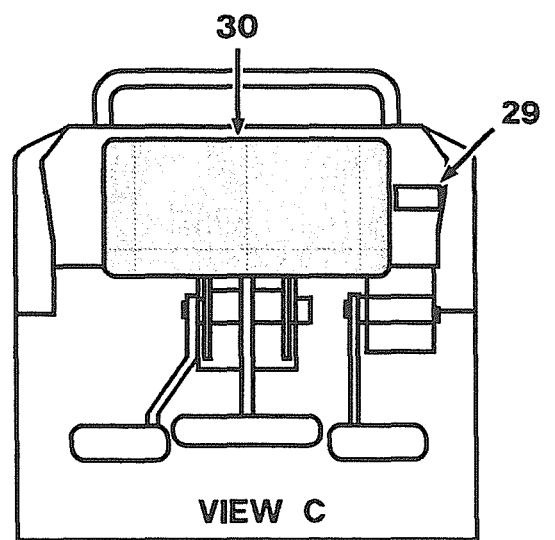
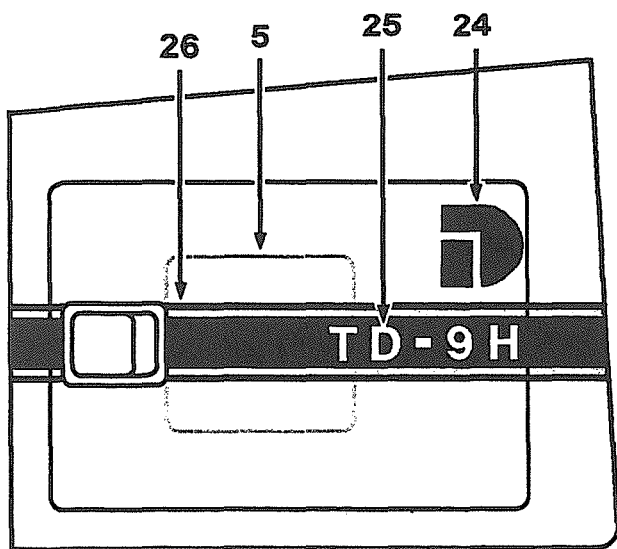
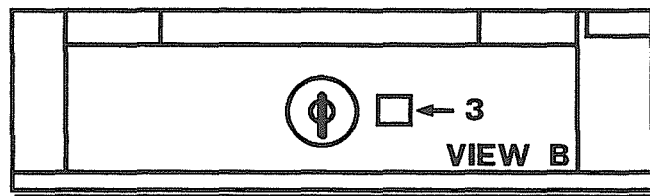
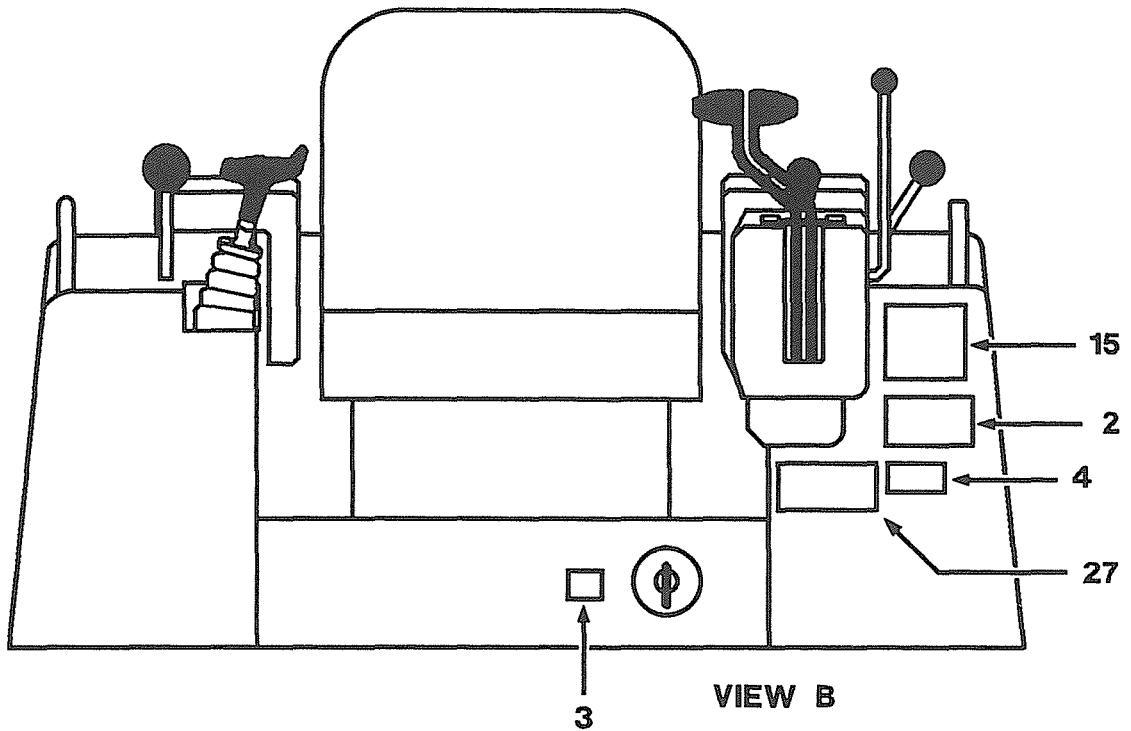
PRODUCT GRAPHICS
FOREIGN LANGUAGE



C02AD007

MISCELLANEOUS

PRODUCT GRAPHICS
FOREIGN LANGUAGE



C02AD008

MISCELLANEOUS

PRODUCT GRAPHICS
FOREIGN LANGUAGE

Item	Part Number	Description	Qty.	Ref.
1		IMPORTANT, AIR CLEANER		
	736 835 C2	.SPANISH	1	
	736 836 C2	.FRENCH	1	
	736 834 C2	.GERMAN	1	
2		IMPORTANT, ALTERNATOR INSTRUCTIONS		
	2754 498 R3	.SPANISH	1	
	2754 499 R2	.FRENCH	1	
	650 456 C3	.GERMAN	1	
3		MASTER SWITCH		
	1126 340 C1	.SPANISH	1	
	1126 347 C1	.FRENCH	1	
	1126 346 C1	.GERMAN	1	
4	742 356 C1	PATENT MARKING	1	
5		SERVICE CHART		
	1270 410 H2	.SPANISH	1	
	1270 411 H2	.FRENCH	1	
	1270 412 H2	.GERMAN	1	
6		OIL LEVEL		
	1277 987 H2	.SPANISH	1	
	1277 988 H2	.FRENCH	1	
	1277 989 H2	.GERMAN	1	
7	1208 069 H1	FUEL	1	
8	1281 363 H1	RIPPER CONTROL	1	
9	1281 303 H1	GOVERNOR CONTROL	1	
10	1270 918 H1	SHIFT DIAGRAM	1	
11	1270 935 H1	SAFETY LEVER	1	
12	1270 930 H1	HAND STEERING CONTROL	1	
13	1270 941 H1	BLADE CONTROL	1	
14	1299 031 H1	HYDRAULIC OIL	1	
15		CAUTION, GENERAL		
	743 480 C2	.SPANISH	1	
	743 481 C2	.FRENCH	1	
	743 482 C2	.GERMAN	1	
16		CAUTION, SAFETY		
	1121 091 C2	.SPANISH	1	
	1121 090 C2	.FRENCH	1	

CONTINUED ON NEXT PAGE

MISCELLANEOUS

PRODUCT GRAPHICS
FOREIGN LANGUAGE

Item	Part Number	Description	Qty.	Ref.
	1121 092 C2	.GERMAN	1	
17		CAUTION, INSTRUCTION		
	629 326 C4	.SPANISH	1	
	629 325 C4	.FRENCH	1	
	667 498 C3	.GERMAN	1	
18		CAUTION, PRESSURIZED RESERVOIR		
	644 865 C3	.SPANISH	1	
	660 056 C3	.FRENCH	1	
	660 055 C3	.GERMAN	1	
19		CAUTION, TRACK ADJUSTER		
	662 655 C2	.SPANISH	1	
	662 654 C2	.FRENCH	1	
	662 653 C2	.GERMAN	1	
20		CAUTION, DOOR		
	667 461 C2	.SPANISH	3	
	667 462 C2	.FRENCH	3	
	667 463 C2	.GERMAN	3	
21		CAUTION, ROPS		
	743 483 C1	.SPANISH	1	
	743 484 C1	.FRENCH	1	
	743 485 C1	.GERMAN	1	
22	1212 543 H1	DRESSER, SIDE AND REAR	3	
23	1212 541 H1	DRESSER, FRONT	1	
24	1212 890 H1	DRESSER D	2	
25	1270 382 H1	MODEL TD-9H	2	
26		STRIPE - 105 ^{IN} LONG	1	F1
27	NSS	PIN PLATE	1	
	145 387	SCREW, MOUNTING - #12x1/2	4	
28	NSS	ROPS PLATE	1	
	145 373	SCREW, MOUNTING - #6x1/4	4	
29		ETHER INJECTOR		
	628 083 C2	.SPANISH	1	
	628 083 C2	.FRENCH	1	
	665 507 C2	.GERMAN	1	
30		PANEL, INSTRUMENT (SEE PG 11-002)	1	
31	1308 073 H1	WARNING HORN	1	

CONTINUED ON NEXT PAGE

MISCELLANEOUS

PRODUCT GRAPHICS
FOREIGN LANGUAGE

Item	Part Number	Description	Qty.	Ref.
32		LOCK/UNLOCK (SEE PG 02-014)	1	
	743 446 C2	STRIPE, BULK	AR	

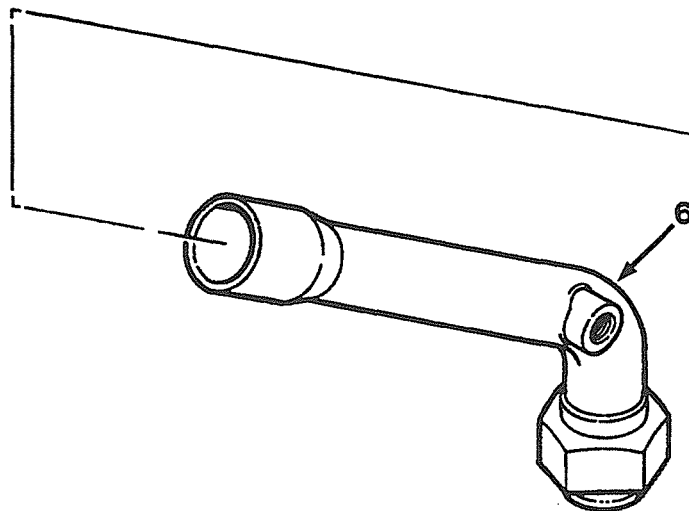
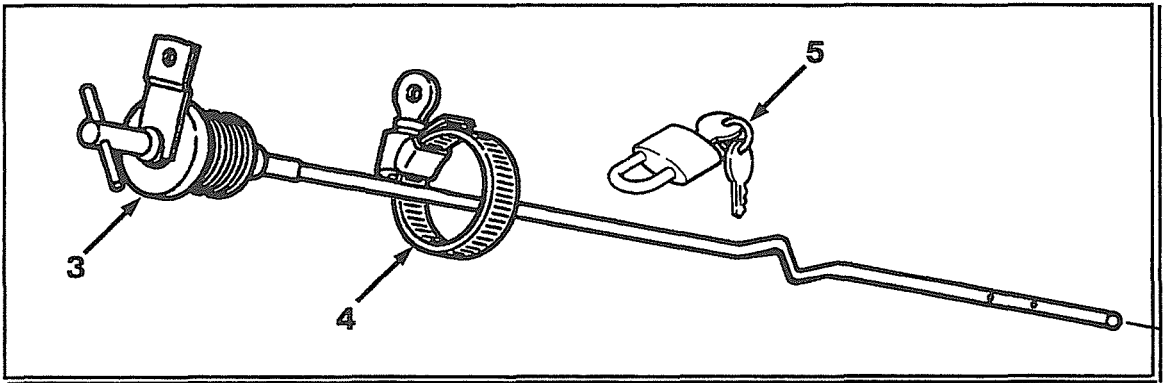
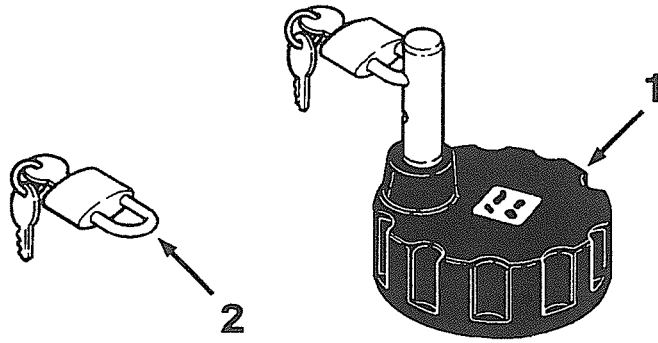
F1 - CUT REQUIRED LENGTH FROM BULK STRIPE 743 446 C2.

MISCELLANEOUS

MEMORANDA PAGE

MISCELLANEOUS

ANTI-VANDALISM



C02ZZ018

MISCELLANEOUS

ANTI-VANDALISM

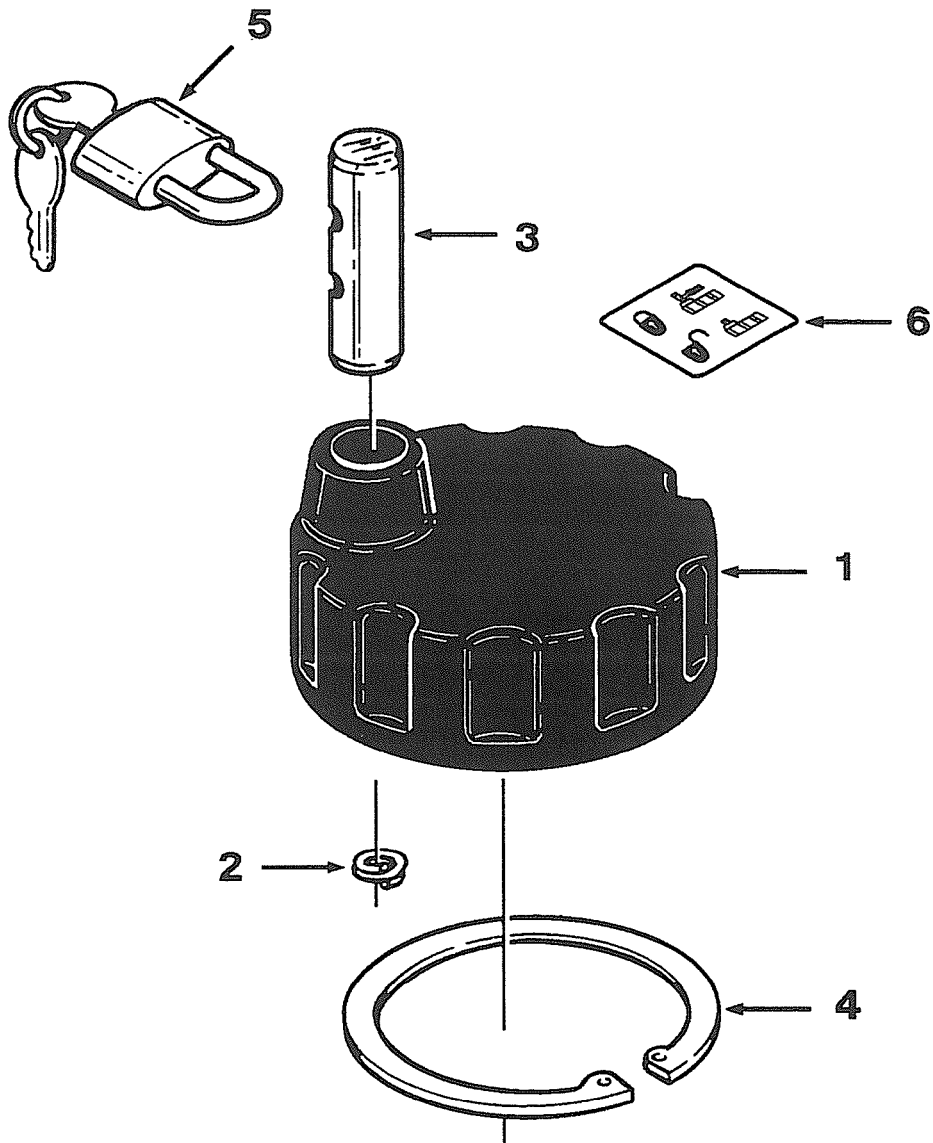
Item	Part Number	Description	Qty.	Ref.
	1270 420 H91	ANTI-VANDALISM	1	F1
1		.CAP, LOCKING FILLER (SEE PG 02-014)	1	
2	650 382 C91	.PADLOCK W/KEYS	AR	F2
3	1283 478 H91	.DIPSTICK, LOCKING	1	
4	623 761 C1	.CLAMP, LOCKING	1	
5	650 382 C91	.PADLOCK W/KEYS	1	
6		TUBE, REAR MAIN FRAME FILLER (SEE PG 09-002)	1	

F1 - PART NUMBER IS A NON-SERVICE PART AND IS LISTED FOR REFERENCE ONLY.
ORDER INDIVIDUAL PIECE PARTS.

F2 - 4 USED WITH ROPS CANOPY MACHINES AND 3 USED WITH ROPS CAB MACHINES.

MISCELLANEOUS

LOCKING FILLER CAP



C02ZZ019

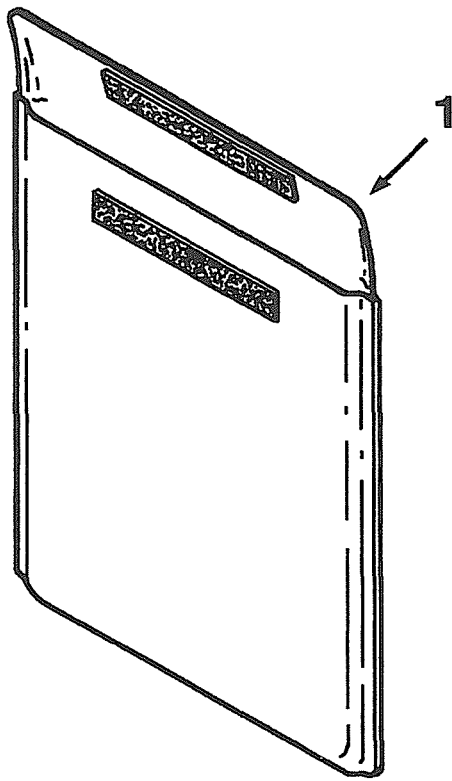
MISCELLANEOUS

LOCKING FILLER CAP

Item	Part Number	Description	Qty.	Ref.
	628 156 C91	CAP ASSY, LOCKING	1	
1	NSS	.CAP, LOCKING	1	
2	23 221 R1	.RING, SPIRAL RETAINING	1	
3	NSS	.PIN, LOCKING	1	
4	1299 108 H1	.RING, RETAINING	1	
5	650 382 C91	.PADLOCK WITH KEYS	1	
6	1304 203 H1	.PRODUCT GRAPHIC, LOCK/UNLOCK	1	

MISCELLANEOUS

MANUAL ENVELOPE
WITH ROPS CANOPY



C02ZZ020

MISCELLANEOUS

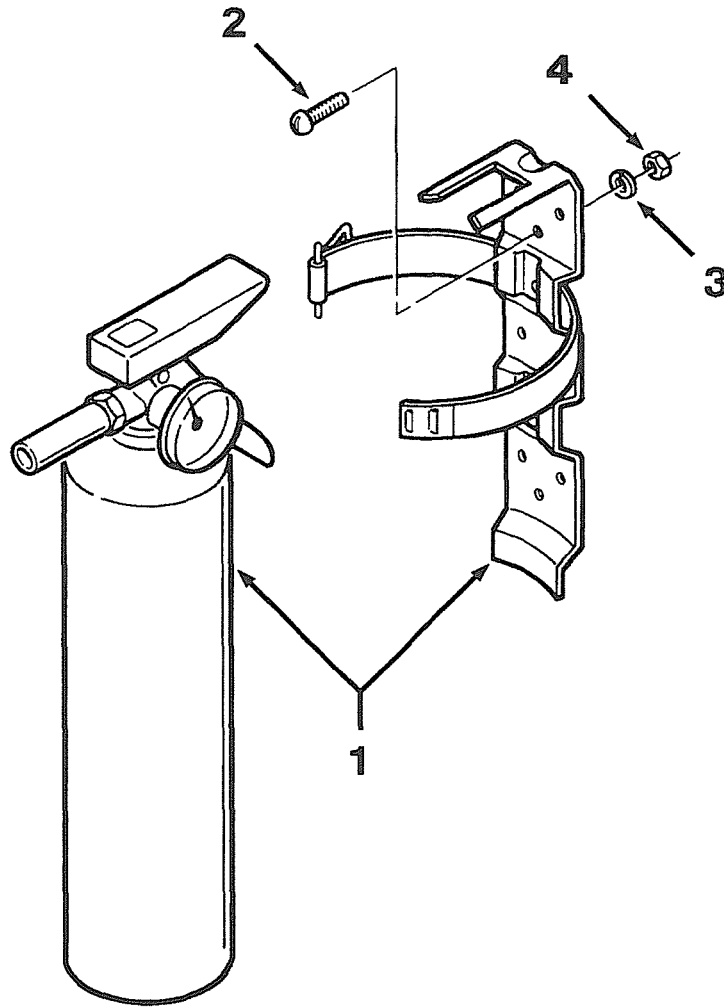
MANUAL ENVELOPE
WITH ROPS CANOPY

Item	Part Number	Description	Qty.	Ref.
	1277 616 H91	MANUAL ENVELOPE	1	F1
1	1277 617 H1	.ENVELOPE, MANUAL	1	

F1 - PART NUMBER IS A NON-SERVICE PART AND IS LISTED FOR REFERENCE ONLY.
ORDER INDIVIDUAL PIECE PARTS.

MISCELLANEOUS

FIRE EXTINGUISHER



C02AR001

MISCELLANEOUS

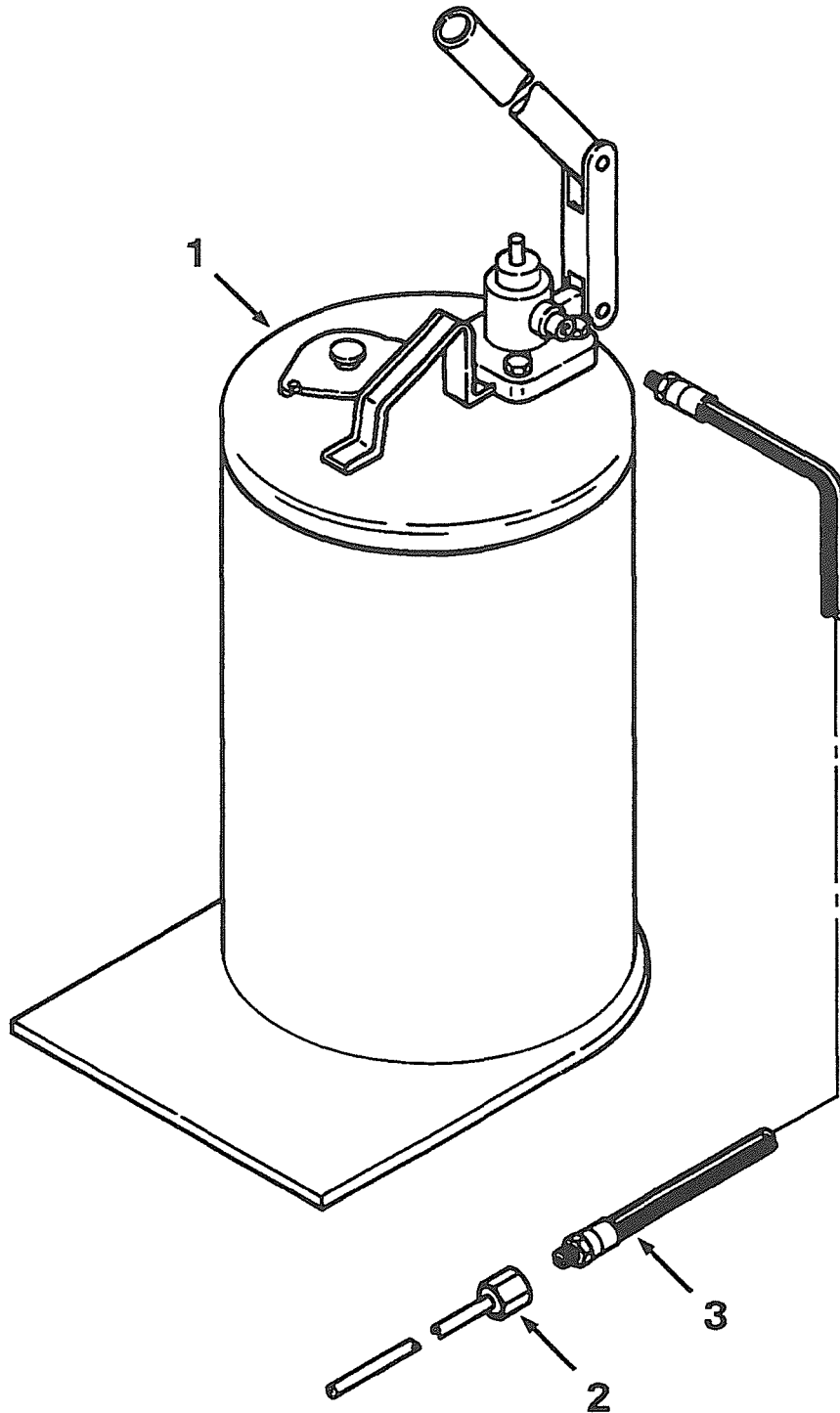
FIRE EXTINGUISHER

Item	Part Number	Description	Qty.	Ref.
	650 792 C91	FIRE EXTINGUISHER	1	F1
1	549 973 C91	.EXTINGUISHER AND BRACKET, FIRE	1	
2	120 221	.SCREW - #10NCx1/2	4	
3	115 707	.WASHER, LOCK - #10	4	
4	120 361	.NUT, HEX - #10NC	4	

F1 - PART NUMBER IS A NON-SERVICE PART AND IS LISTED FOR REFERENCE ONLY.
ORDER INDIVIDUAL PIECE PARTS.

MISCELLANEOUS

TANK TYPE LUBRICATOR



C02ZZ021

MISCELLANEOUS

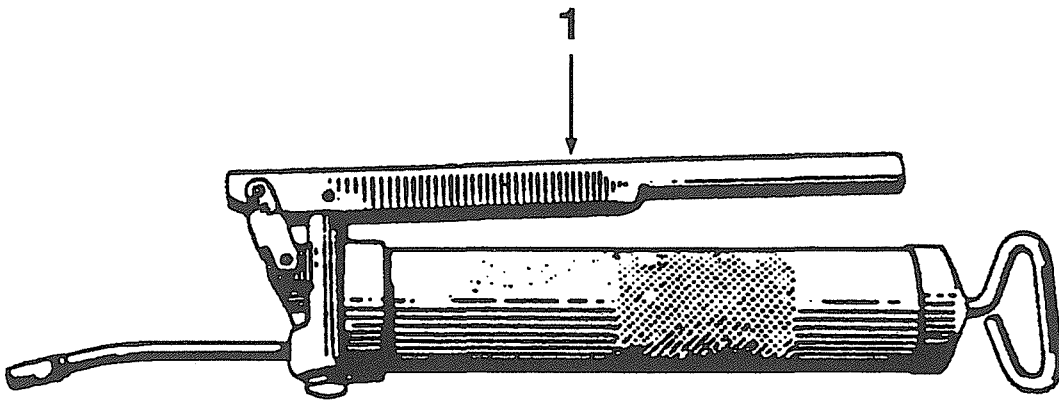
TANK TYPE LUBRICATOR

Item	Part Number	Description	Qty.	Ref.
	309 015 R91	TANK TYPE LUBRICATOR	1	F1
	1243 491 H91	.LUBRICATOR ASSY, TANK TYPE	1	
1	NSS	..TANK, LUBRICATOR	1	
2	310 944 R91	..NOZZLE, LUBRICATOR	1	
3	53 207 D	..HOSE, LUBRICATOR	1	

F1 - PART NUMBER IS A NON-SERVICE PART AND IS LISTED FOR REFERENCE ONLY.
ORDER INDIVIDUAL PIECE PARTS.

MISCELLANEOUS

HAND TYPE LUBRICATOR



C02Z022

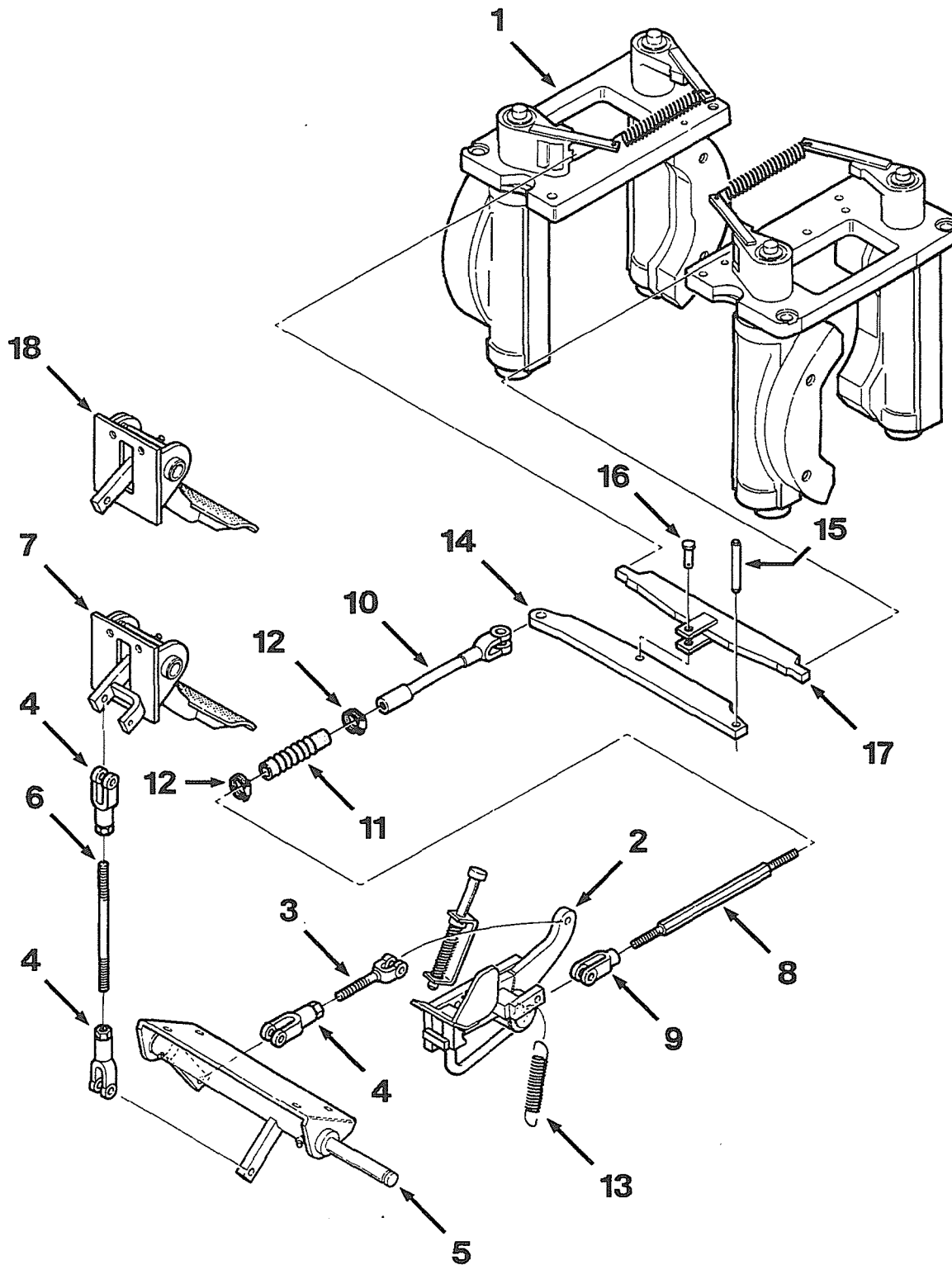
MISCELLANEOUS

HAND TYPE LUBRICATOR

Item	Part Number	Description	Qty.	Ref.
1	999 677 R91	LUBRICATOR, HAND TYPE	1	

BRAKES

BRAKE CONTROLS



C04AD006

BRAKES

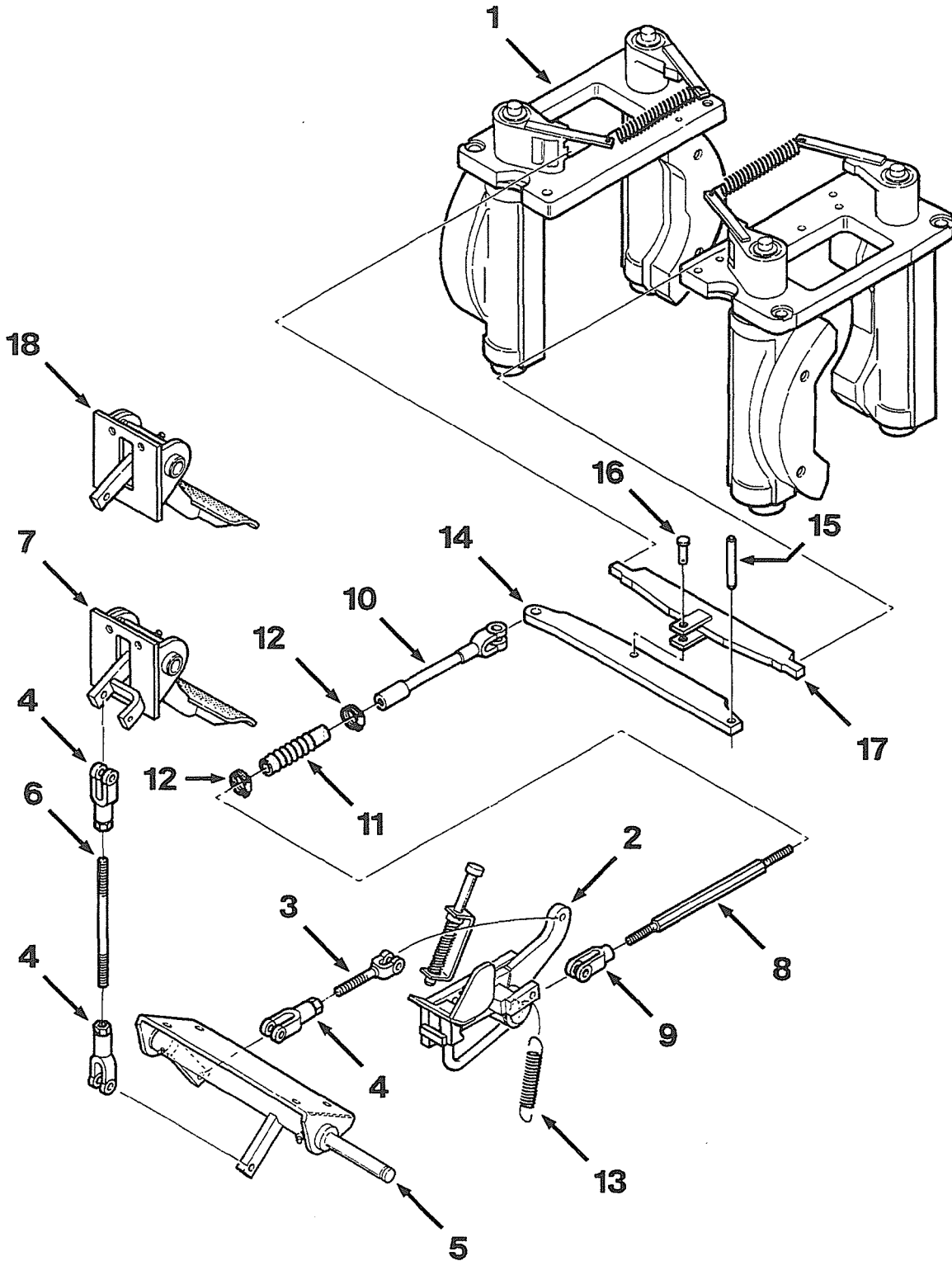
BRAKE CONTROLS

Item	Part Number	Description	Qty.	Ref.
	1269 086 H91	BRAKES AND CONTROLS	1	F1
1		.SHOES AND LEVERS (SEE PG 04-014)	1	
2		.BRAKE PAD (SEE PG 04-006)	1	
	25 274 R1	.BOLT, HEX - 1/2NCx1-1/8	3	
	116 121	.WASHER, LOCK - 1/2	3	
3	1258 315 H91	.ROD, FINAL BRAKE	1	
	16 619 R1	.PIN, CLEVIS - 1/2x1-23/64	1	
	103 385	.PIN, COTTER - 1/8x1	1	
4	144 256	.CLEVIS, ROD END	3	
	25 527 R1	.NUT, HEX - 1/2NF	3	
	16 619 R1	.PIN, CLEVIS - 1/2x1-23/64	3	
	103 385	.PIN, COTTER - 1/8x1	3	
5		.BRACKET, BRAKE SUPPORT (SEE PG 04-008)	1	
	26 316 R1	.BOLT, HEX - 1/2NCx1	4	
	25 555 R1	.WASHER, FLAT - 1/2	4	
6	1258 312 H1	.ROD, MAIN BRAKE	1	
7		.PEDAL, BRAKE (SEE PG 04-010)	1	F2
	24 861 R1	.BOLT, HEX - 1/2NCx1-1/4	4	
	25 536 R1	.WASHER, FLAT - 1/2	4	
8	1287 522 H1	.ROD, TURNBUCKLE	1	
9	19 457 R1	.YOKE, LH THREAD	1	
	145 406	.NUT, JAM - 1/2NF	1	
	16 619 R1	.PIN, CLEVIS - 1/2x1-23/64	1	
	103 385	.PIN, COTTER - 1/8x1	1	
10	652 827 C1	.CLEVIS, BRAKE ROD	1	
	145 406	.NUT, JAM - 1/2NF	1	
	16 619 R1	.PIN, CLEVIS - 1/2x1-23/64	1	
	103 385	.PIN, COTTER - 1/8x1	1	
11	652 829 C1	.BOOT, CONTROL ROD	1	
12	122 316 R91	.CLAMP, BOOT	2	
13	1286 903 H1	.SPRING, RETURN	1	
14	621 318 C1	.SUPPORT, BRAKE ACTUATOR	1	
15	621 319 C1	.PIN, PIVOT	1	
16	21 853 H	.PIN, CLEVIS - 1/2x1-1/2	1	
	103 385	.PIN, COTTER - 1/8x1	1	
17	621 310 C2	.SUPPORT, BRAKE EQUALIZER	1	

CONTINUED ON NEXT PAGE

BRAKES

BRAKE CONTROLS



C04AD006

BRAKES

BRAKE CONTROLS

Item	Part Number	Description	Qty.	Ref.
18		PEDAL, BRAKE (SEE PG 04-012)	1	F3
	24 861 R1	BOLT, HEX - 1/2NCx1-1/4	4	
	25 536 R1	WASHER, FLAT - 1/2	4	

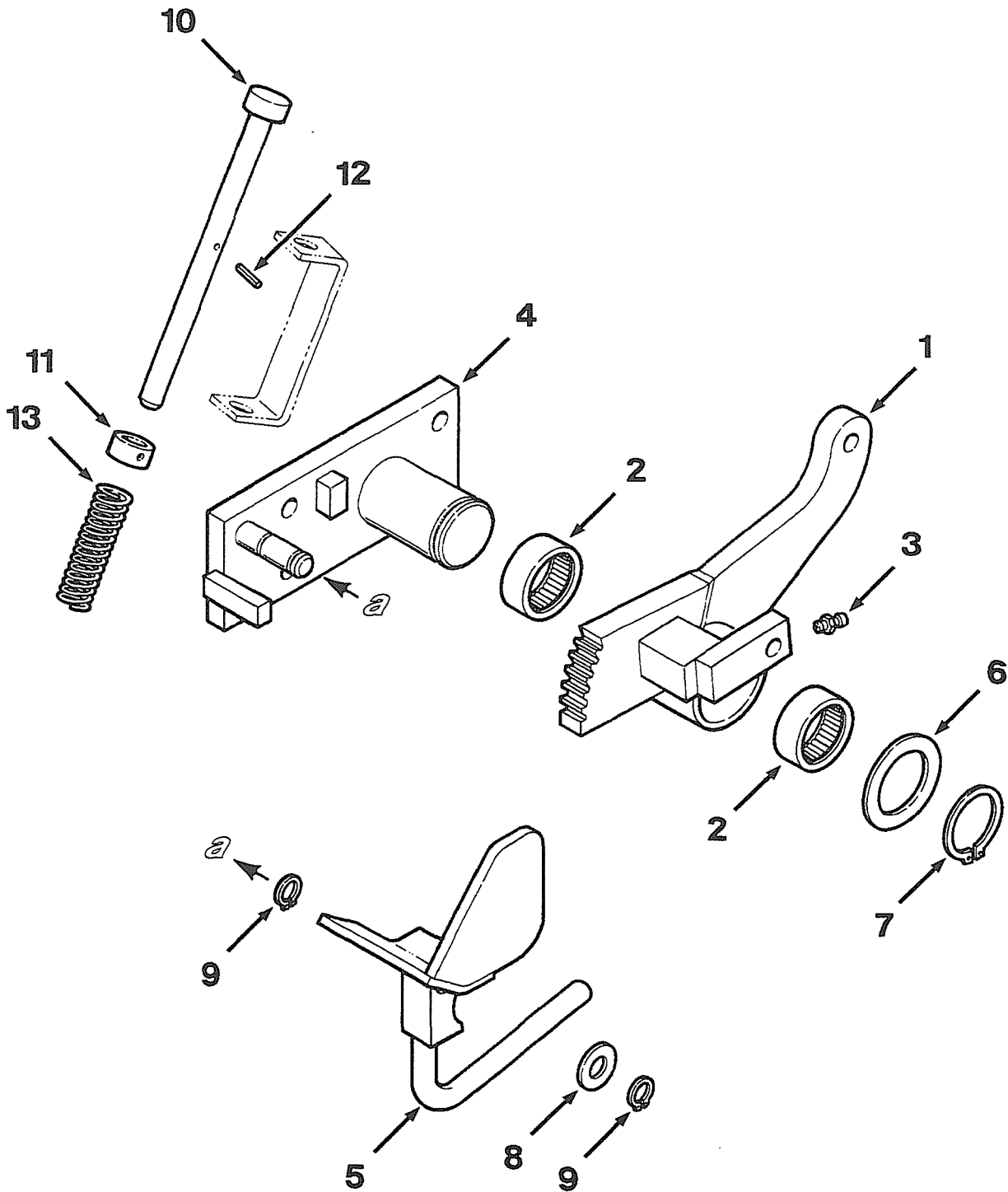
F1 - PART NUMBER IS A NON-SERVICE PART AND IS LISTED FOR REFERENCE ONLY.
ORDER INDIVIDUAL PIECE PARTS.

F2 - USED WITHOUT RIGHT DECELERATOR PEDAL.

F3 - USED WITH RIGHT DECELERATOR PEDAL.

BRAKES

BRAKE PAD



C04AD007

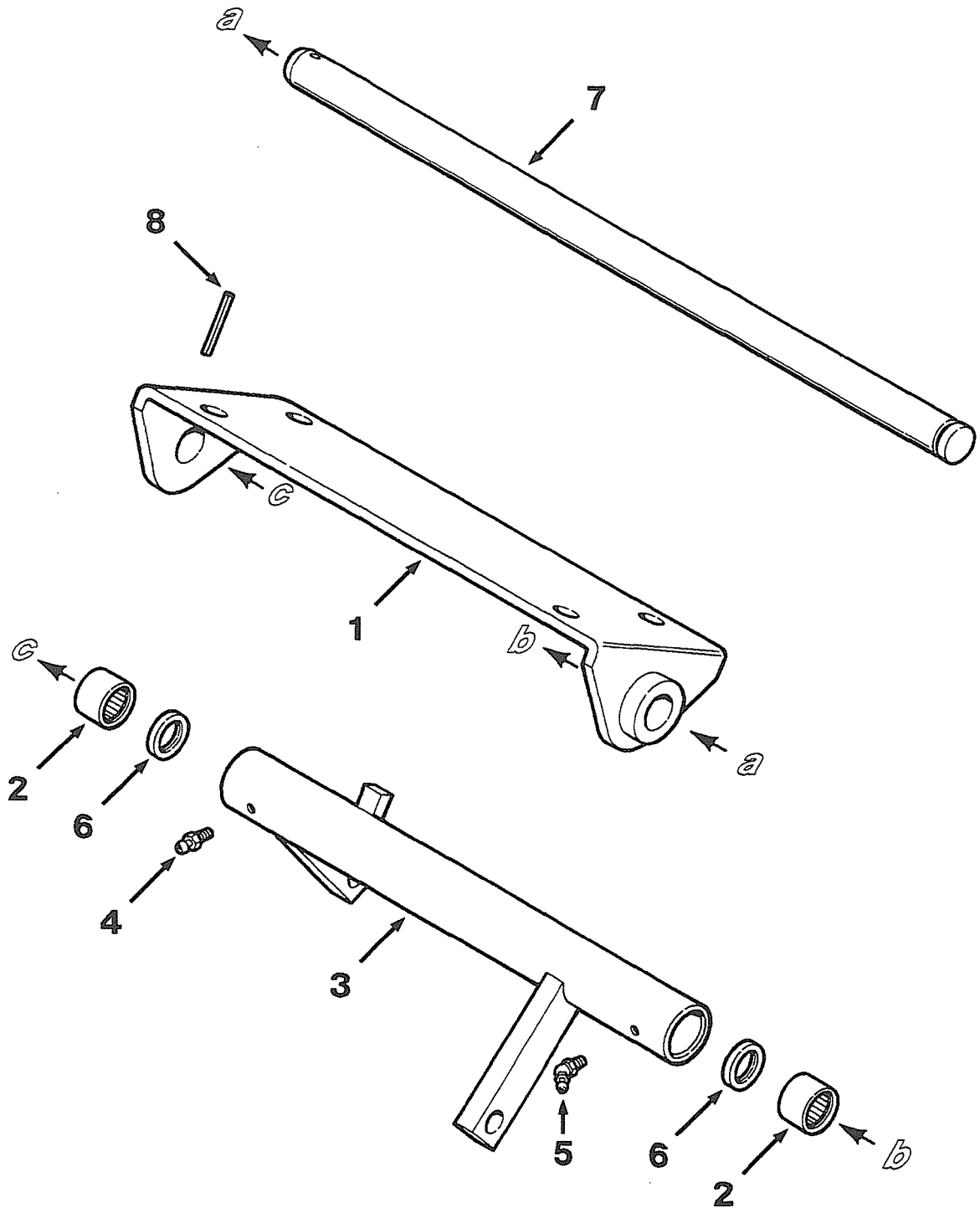
BRAKES

BRAKE PAD

Item	Part Number	Description	Qty.	Ref.
	1268 251 H91	PAD ASSY, BRAKE	1	
	1269 046 H91	.BELLCRANK ASSY, FINAL	1	
1	1258 311 H91	..BELLCRANK, FINAL	1	
2	1271 230 H1	..BEARING, NEEDLE	2	
3	109 454	..FITTING, LUBE	1	
4	1258 301 H91	.BRACKET, MOUNTING	1	
5	1258 303 H91	.PAWL, BRAKE	1	
6	25 883 R1	.WASHER, FLAT - 1-19/32	1	
7	933 075 R1	.RING, RETAINING	1	
8	355 476 R1	.WASHER, FLAT	1	
9	269 192 R1	.RING, RETAINING	2	
10	1258 297 H91	.ROD, RELEASE	1	
11	331 150 R1	.SPACER, SPRING	1	
12	364 437 R1	.PIN, ROLL - 3/16x7/8	1	
13	666 020 C2	.SPRING, TENSION	1	

BRAKES

BRAKE SUPPORT BRACKET



C04AD008

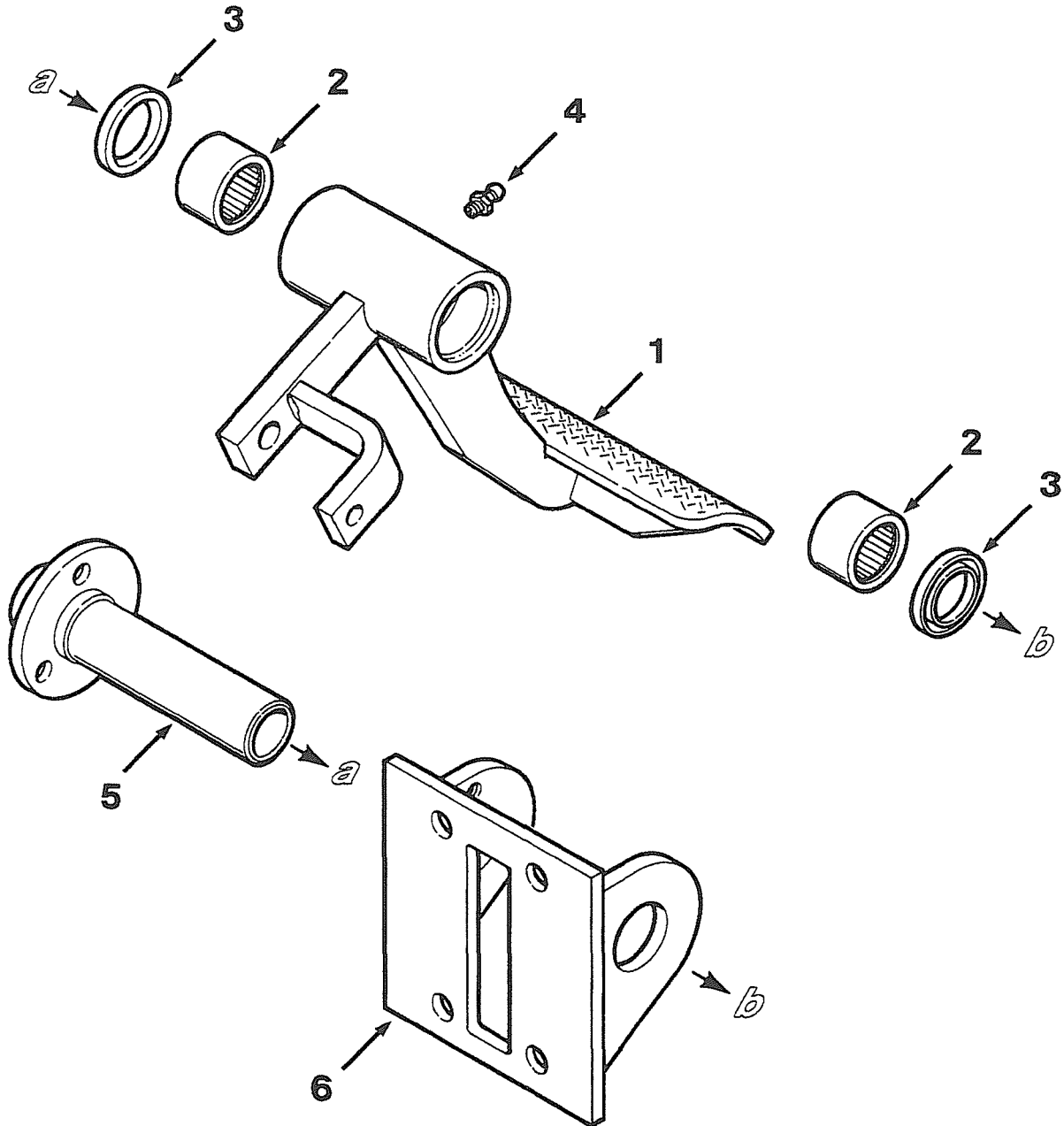
BRAKES

BRAKE SUPPORT BRACKET

Item	Part Number	Description	Qty.	Ref.
	1268 231 H91	BRACKET ASSY, BRAKE SUPPORT	1	
1	1258 279 H91	.BRACKET, SUPPORT	1	
	1269 043 H91	.BELLCRANK ASSY, MAIN	1	
2	740 465 C91	..BEARING, SEALED	2	} OPTIONAL
2	740 466 C91	..BEARING, SEALED	2	
3	1258 283 H91	..BELLCRANK, MAIN	1	
4	109 454	..FITTING, LUBE	1	
5	19 625 R91	..FITTING, LUBE	1	
6	1269 907 H1	..SEAL, GREASE	2	
7	1258 294 H1	.SHAFT, MAIN	1	
8	19 795 R1	.PIN, ROLL - 1/4x1-3/4	1	

BRAKES

BRAKE PEDAL AND BRACKET WITHOUT DECELERATOR PEDAL



C04AD005

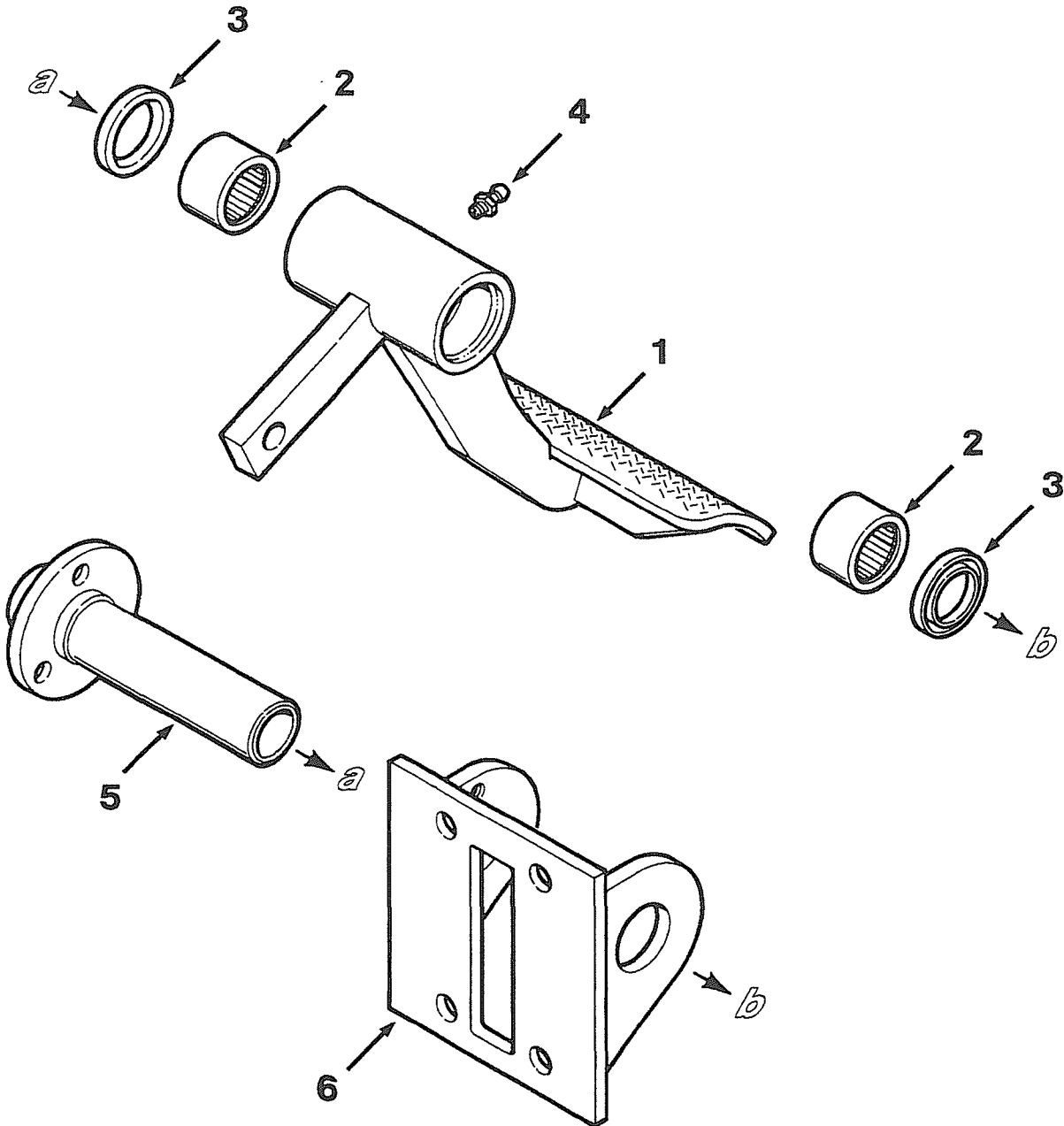
BRAKES

BRAKE PEDAL AND BRACKET WITHOUT DECELERATOR PEDAL

Item	Part Number	Description	Qty.	Ref.
	1268 232 H91	PEDAL AND BRACKET, BRAKE	1	
	1269 018 H91	.PEDAL ASSY, BRAKE	1	
1	NSS	..PEDAL, BRAKE	1	
2	102 613 R91	..BEARING, NEEDLE	2	
3	1299 283 H1	..SEAL, BEARING	2	
4	109 454	..FITTING, LUBE	1	
5	1258 247 H91	.SHAFT, CROSS	1	
	25 769 R1	.BOLT, HEX - 3/8NFx5/8	3	
	25 534 R1	.WASHER, FLAT - 3/8	3	
6	1258 248 H91	.BRACKET, BRAKE PEDAL	1	

BRAKES

BRAKE PEDAL AND BRACKET WITH DECELERATOR PEDAL



C04AD081

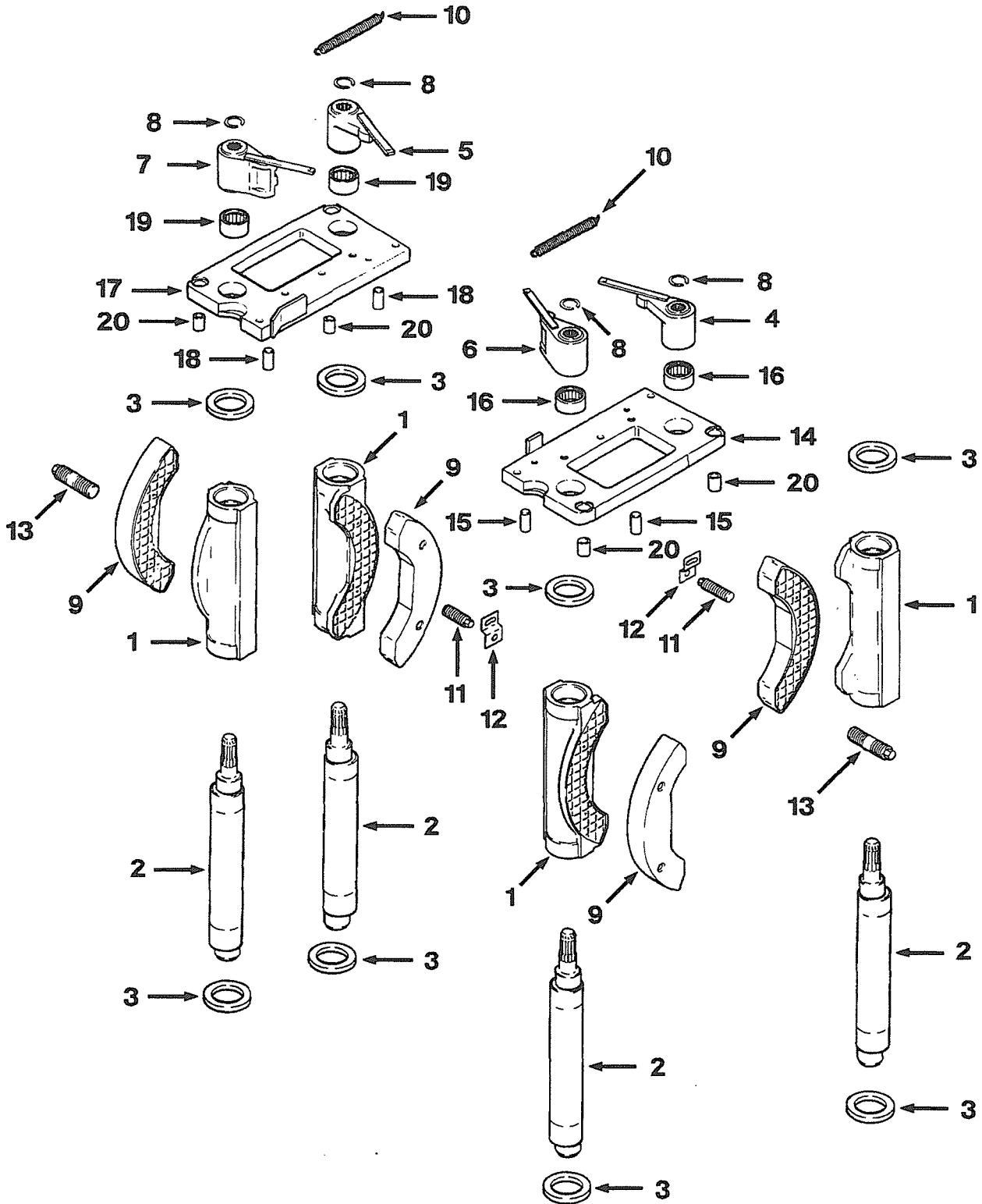
BRAKES

BRAKE PEDAL AND BRACKET WITH DECELERATOR PEDAL

Item	Part Number	Description	Qty.	Ref.
	1303 862 H91	PEDAL ASSY, BRAKE	1	
1	NSS	.PEDAL, BRAKE	1	
2	102 613 R91	.BEARING, NEEDLE	2	
3	1299 283 H1	.SEAL, BEARING	2	
4	109 454	.FITTING, LUBE	1	
5	1258 247 H91	SHAFT, CROSS	1	
	25 769 R1	BOLT, HEX - 3/8NFx5/8	3	
	25 534 R1	WASHER, FLAT - 3/8	3	
6	1258 248 H91	BRACKET, BRAKE PEDAL	1	

BRAKES

SHOES AND LEVERS



C04AV001

BRAKES

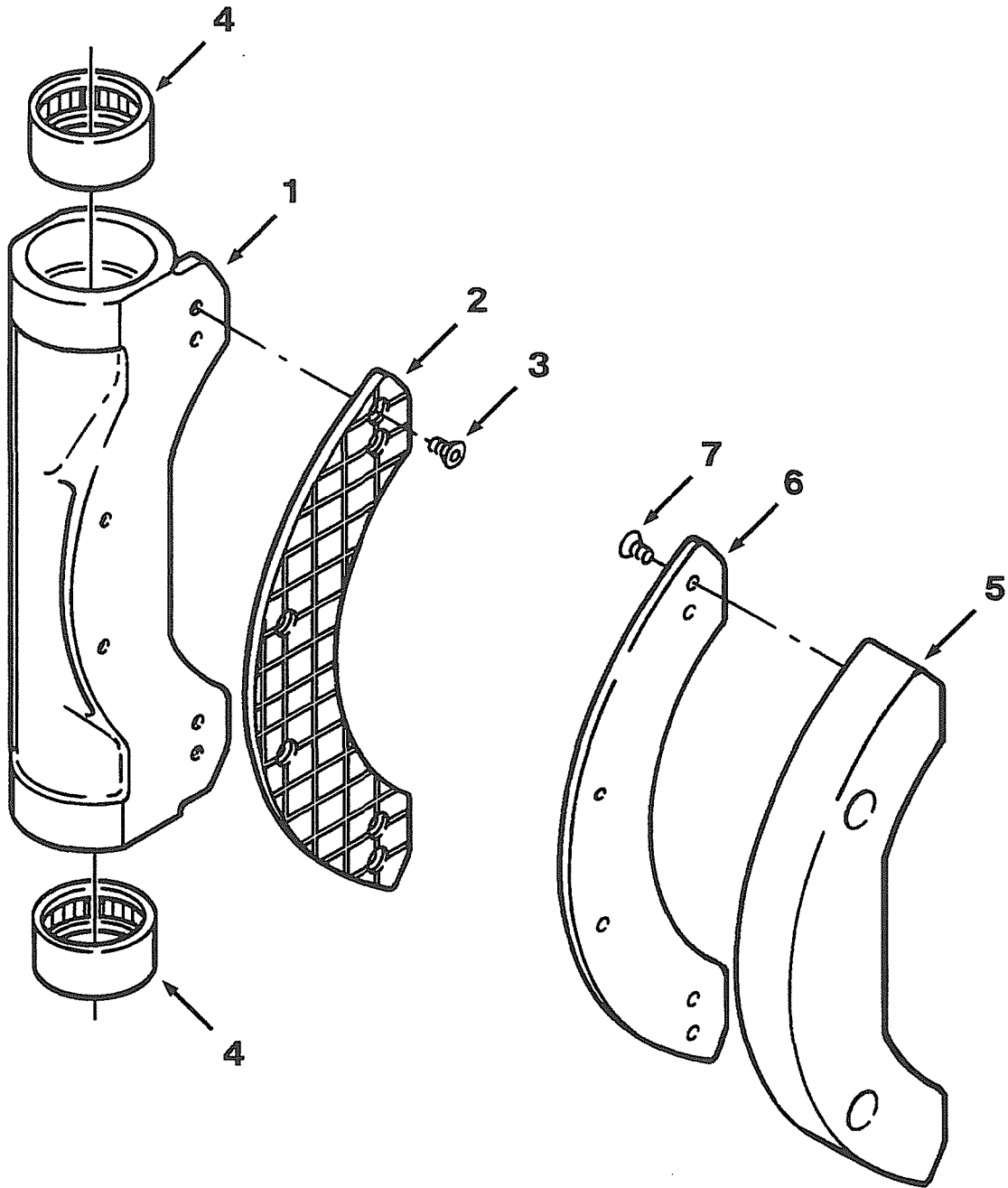
SHOES AND LEVERS

Item	Part Number	Description	Qty.	Ref.
1		SHOE, APPLY (SEE PG 04-016)	4	
2	621 025 C1	SHAFT, ECCENTRIC	4	
3	621 026 C1	WASHER, THRUST	8	
4	621 027 C1	ARM, LEFT STEERING	1	
5	621 028 C1	ARM, RIGHT STEERING	1	
6	621 032 C1	ARM, LEFT BRAKE	1	
7	621 033 C1	ARM, RIGHT BRAKE	1	
8	621 036 C1	RING, RETAINING	4	
9		SHOE, BACK UP (SEE PG 04-016)	4	
10	360 677 R1	SPRING, ARM RETURN	2	
11	621 039 C1	SCREW, STEERING SHOE ADJUSTMENT	2	
12	621 822 C1	PLATE, SCREW LOCK	2	
	24 839 R1	BOLT, HEX - 3/8NCx3/4	2	
	120 930	WASHER, LOCK - 3/8	2	
13	621 040 C1	SCREW, BRAKE SHOE ADJUSTMENT	2	
	219 760	NUT, JAM - 1NF	2	
	733 233 C92	PLATE ASSY, LEFT MOUNTING	1	
	733 225 C92	.PLATE ASSY, LEFT	1	F1
14	NSS	..PLATE, LEFT	1	
15	621 087 C1	..PIN, DOWEL	2	
16	621 090 C91	.BEARING, NEEDLE	2	
	24 864 R1	BOLT, HEX - 1/2NCx2	3	
	25 546 R1	WASHER, FLAT - 1/2	3	
	733 234 C92	PLATE ASSY, RIGHT MOUNTING	1	
	733 226 C92	.PLATE ASSY, RIGHT	1	F1
17	NSS	..PLATE, RIGHT	1	
18	621 087 C1	..PIN, DOWEL	2	
19	621 090 C91	.BEARING, NEEDLE	2	
	24 864 R1	BOLT, HEX - 1/2NCx2	3	
	25 546 R1	WASHER, FLAT - 1/2	3	
20	733 227 C1	SPACER, PLATE MOUNTING	4	

F1 - PART NUMBER IS A NON-SERVICE PART AND IS LISTED FOR REFERENCE ONLY.
ORDER INDIVIDUAL PIECE PARTS.

BRAKES

BRAKE OR STEERING SHOES



C04AV002

BRAKES

BRAKE OR STEERING SHOES

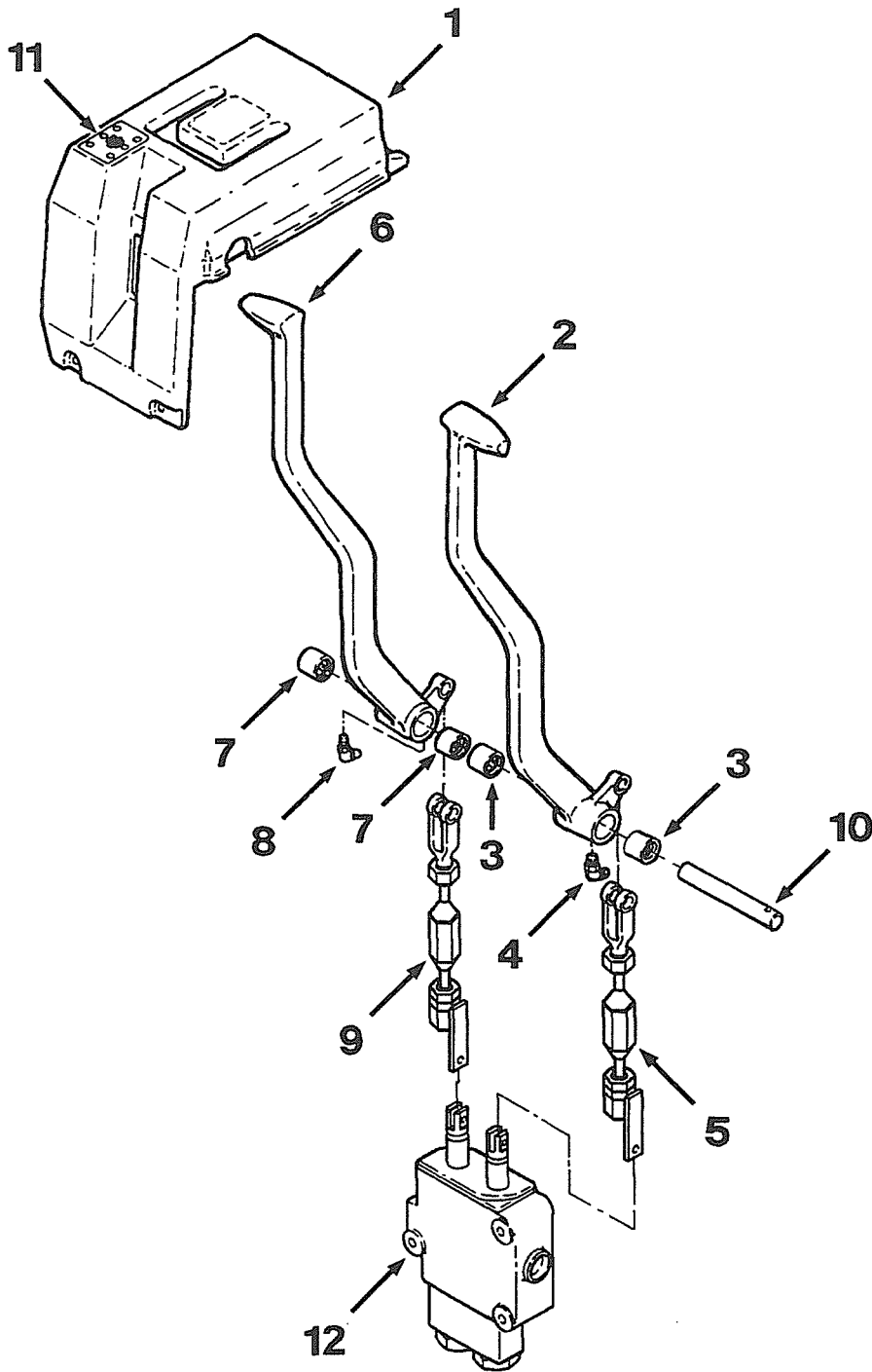
Item	Part Number	Description	Qty.	Ref.
	1268 908 H92	APPLY SHOES	4	F1
	1267 865 H92	.SHOE ASSY, APPLY	1	F1
1	1267 862 H1	..SHOE, APPLY	1	
2	1267 860 H1	..LINING, SHOE	1	
3	1267 863 H1	..SCREW, FLAT HEAD	6	
4	675 708 R91	.BEARING, NEEDLE	2	
	1267 864 H92	BACK UP SHOES	4	F1
5	1267 861 H1	.SHOE, BACK UP	1	
6	1267 860 H1	.LINING, SHOE	1	
7	1267 863 H1	.SCREW, FLAT HEAD	6	

F1 - PART NUMBER IS A NON-SERVICE PART AND IS LISTED FOR REFERENCE ONLY.
ORDER INDIVIDUAL PIECE PARTS.



STEERING

HAND STEERING



C05AD041

STEERING

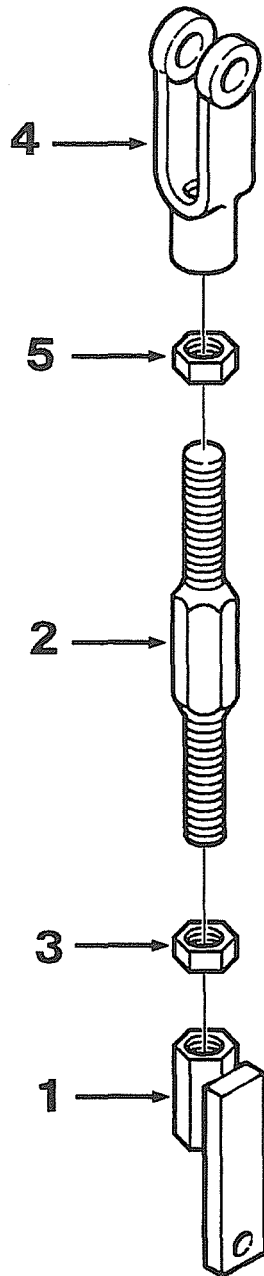
HAND STEERING

Item	Part Number	Description	Qty.	Ref.
	1280 192 H91	HAND STEERING	1	F1
1	1280 700 H1	.CONSOLE, LEFT	1	
	25 222 R1	.BOLT, HEX - 1/4NCx3/4	4	
	25 542 R1	.WASHER, FLAT - 1/4	4	
	1280 629 H91	.LEVER ASSY, LEFT STEERING	1	
2	1280 628 H1	..LEVER, LEFT STEERING	1	
3	740 465 C91	..BEARING, SEALED	2	} OPTIONAL
3	740 466 C91	..BEARING, SEALED	2	
4	126 152	..FITTING, LUBE	1	
5		.LINK, DOUBLE ADJUSTABLE (SEE PG 05-004)	1	
	1280 632 H91	.LEVER ASSY, RIGHT STEERING	1	
6	1280 631 H1	..LEVER, RIGHT STEERING	1	
7	740 465 C91	..BEARING, SEALED	2	} OPTIONAL
7	740 466 C91	..BEARING, SEALED	2	
8	126 152	..FITTING, LUBE	1	
9		.LINK, DOUBLE ADJUSTABLE (SEE PG 05-004)	1	
10	1223 254 H1	.SHAFT, LEVER	1	
	19 975 R1	.PIN, ROLL	1	
11		.PRODUCT GRAPHIC, STEERING (SEE PG 02-002 OR 006)	1	
12		VALVE AND HOSES, STEERING (SEE PG 07-012)	1	

F1 - PART NUMBER IS A NON-SERVICE PART AND IS LISTED FOR REFERENCE ONLY.
ORDER INDIVIDUAL PIECE PARTS.

STEERING

DUO ADJUSTABLE STEERING LINK



C05AD000

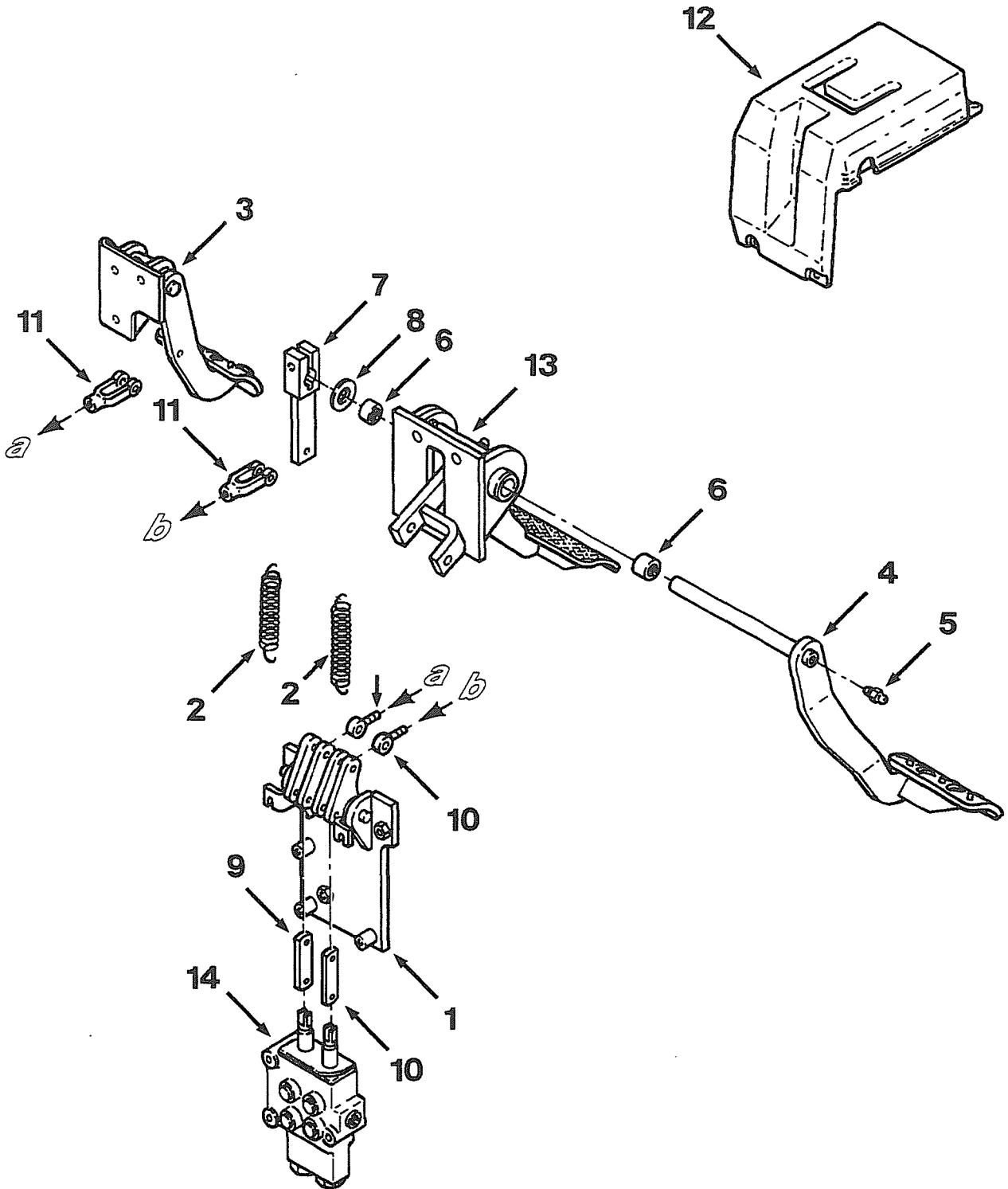
STEERING

DUO ADJUSTABLE STEERING LINK

Item	Part Number	Description	Qty.	Ref.
	1301 652 H91	LINK ASSY, STEERING	2	
1	1301 655 H91	.END, LH THREAD	1	
2	1301 654 H1	.ROD, TURNBUCKLE	1	
3	28 390 R1	.NUT, LH JAM - 3/8NF	1	
4	144 254	.CLEVIS, ROD END - RH THREAD	1	
5	25 934 R1	.NUT, RH JAM - 3/8NF	1	

STEERING

FOOT STEERING



C05AD043

STEERING

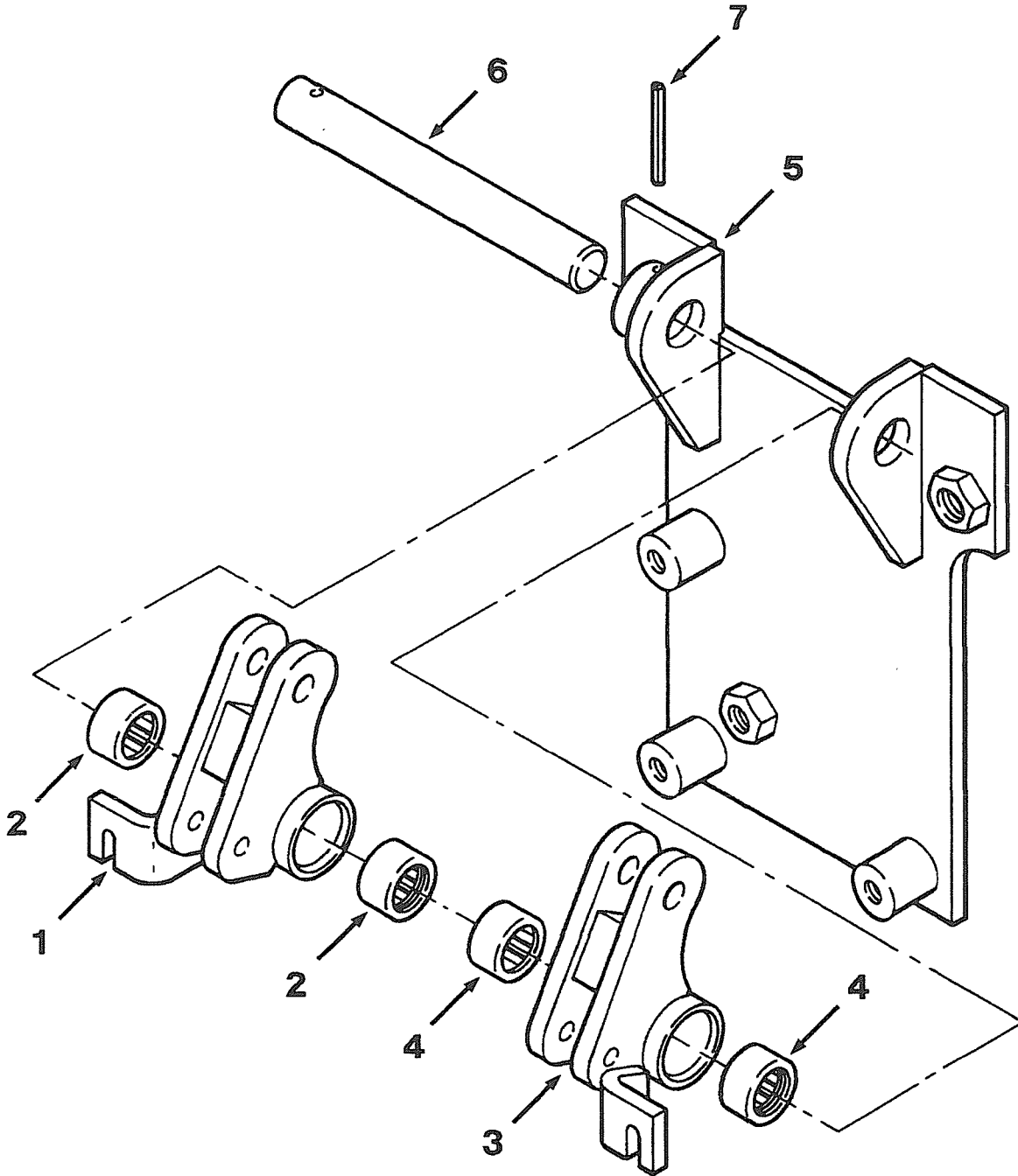
FOOT STEERING

Item	Part Number	Description	Qty.	Ref.
	1269 095 H91	FOOT STEERING	1	F1
1		.BRACKET, FOOT STEERING (SEE PG 05-008)	1	
	24 860 R1	.BOLT, HEX - 1/2NCx1	2	
	25 536 R1	.WASHER, FLAT - 1/2	2	
	24 840 R1	.BOLT, HEX - 3/8NCx1	1	
	25 553 R1	.WASHER, FLAT - 3/8	1	
2	346 019 R1	.SPRING, RETURN	2	
3		.PEDAL, RIGHT STEERING (SEE PG 05-008)	1	
	24 861 R1	.BOLT, HEX - 1/2NCx1-1/4	3	
	25 536 R1	.WASHER, FLAT - 1/2	3	
	1258 259 H91	.PEDAL, LEFT STEERING	1	
4	NSS	.PEDAL, LEFT STEERING	1	
5	109 454	.FITTING, LUBE	1	
6	740 465 C91	.BEARING, SEALED	2	} OPTIONAL
6	740 466 C91	.BEARING, SEALED	2	
7	1258 261 H91	.LEVER, CLAMPED	1	
	140 483 H	.BOLT, HEX - 3/8NCx1-1/4	1	
	124 551	.KEY, WOODRUFF - 1/4x7/8	1	
8	25 538 R1	.WASHER, FLAT - 3/4 (SPACER)	1	
9	1258 272 H1	.LINK, VALVE	2	
	26 114 R1	.PIN, CLEVIS - 1/4x1-1/4	2	
	432 759	.PIN, CLEVIS - 1/4x49/64	2	
	103 361	.PIN, COTTER - 1/6x1/2	4	
10	1258 313 H91	.EYE, STEERING	2	
	865 197 R1	.PIN, CLEVIS - 3/8x1-7/32	2	
	103 373	.PIN, COTTER - 3/32x3/4	2	
11	116 536	.CLEVIS, ROD END	2	
	25 934 R1	.NUT, JAM - 3/8NF	2	
	16 617 R1	.PIN, CLEVIS - 3/8x1-1/16	2	
	103 373	.PIN, COTTER - 3/32x3/4	2	
12	1280 701 H1	.CONSOLE, LEFT	1	
	25 222 R1	.BOLT, HEX - 1/4NCx3/4	4	
	25 542 R1	.WASHER, FLAT - 1/4	4	
13		PEDAL, BRAKE (SEE PG 04-002)	1	
14		VALVE AND HOSES, STEERING (SEE PG 07-014)	1	

F1 - PART NUMBER IS A NON-SERVICE PART AND IS LISTED FOR REFERENCE ONLY.
ORDER INDIVIDUAL PIECE PARTS.

STEERING

FOOT STEERING BRACKET



C05AR005

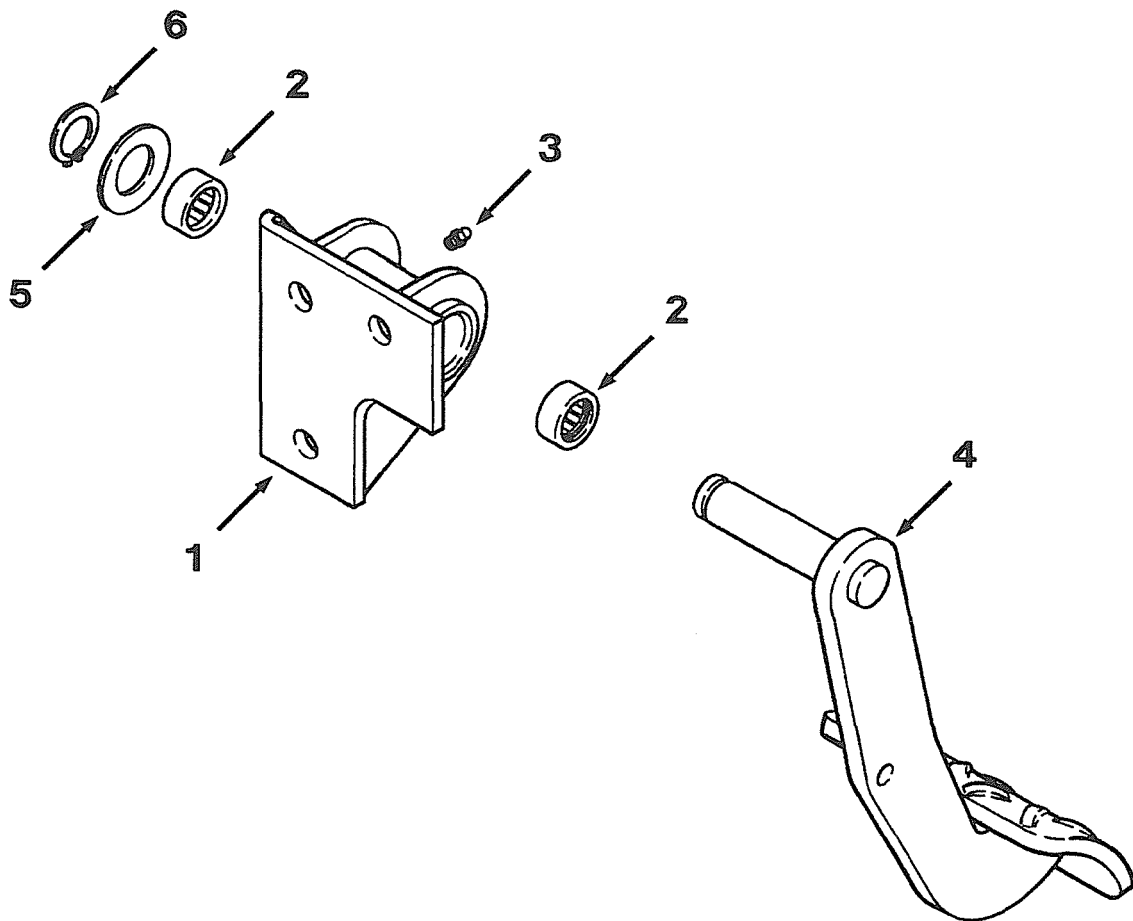
STEERING

FOOT STEERING BRACKET

Item	Part Number	Description	Qty.	Ref.
	1268 230 H91	BRACKET ASSY, FOOT STEERING	1	
	1269 042 H91	.BELLCRANK ASSY, RIGHT	1	
1	NSS	..BELLCRANK, RIGHT	1	
2	173 892 C91	..BEARING	2	
	1279 572 H91	.BELLCRANK ASSY, LEFT	1	
3	NSS	..BELLCRANK, LEFT	1	
4	173 892 C91	..BEARING	2	
5	1258 270 H91	.BRACKET, FOOT STEERING	1	
6	1258 273 H1	.SHAFT, BELLCRANK	1	
7	19 444 R1	.PIN, ROLL - 5/32x1-3/8	1	

STEERING

RIGHT PEDAL AND BRACKET



C05AR000

STEERING

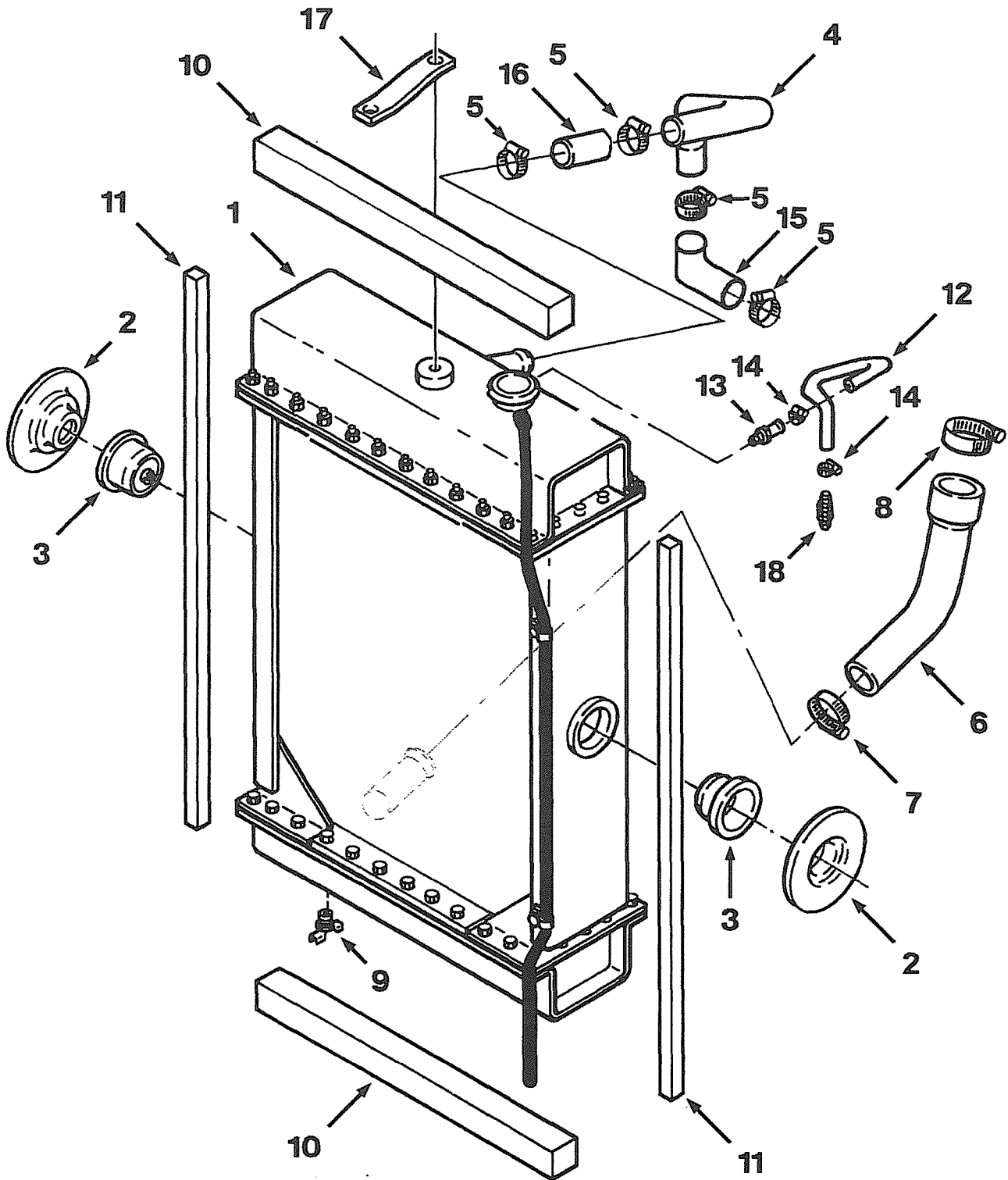
RIGHT PEDAL AND BRACKET

Item	Part Number	Description	Qty.	Ref.
	1300 666 H91	PEDAL AND BRACKET, RIGHT	1	
	1300 668 H91	.BRACKET ASSY, PEDAL	1	
1	NSS	..BRACKET, PEDAL	1	
2	740 465 C91	..BEARING, SEALED	2	} OPTIONAL
2	740 466 C91	..BEARING, SEALED	2	
3	109 454	..FITTING, LUBE	1	
4	1300 667 H91	.PEDAL, RIGHT	1	
5	25 538 R1	.WASHER, FLAT - 3/4	1	
6	933 123 R1	.RING, RETAINING	1	

	COOLING	06	
--	----------------	-----------	--

COOLING

RADIATOR AND CONNECTIONS



C06AH068

COOLING

RADIATOR AND CONNECTIONS

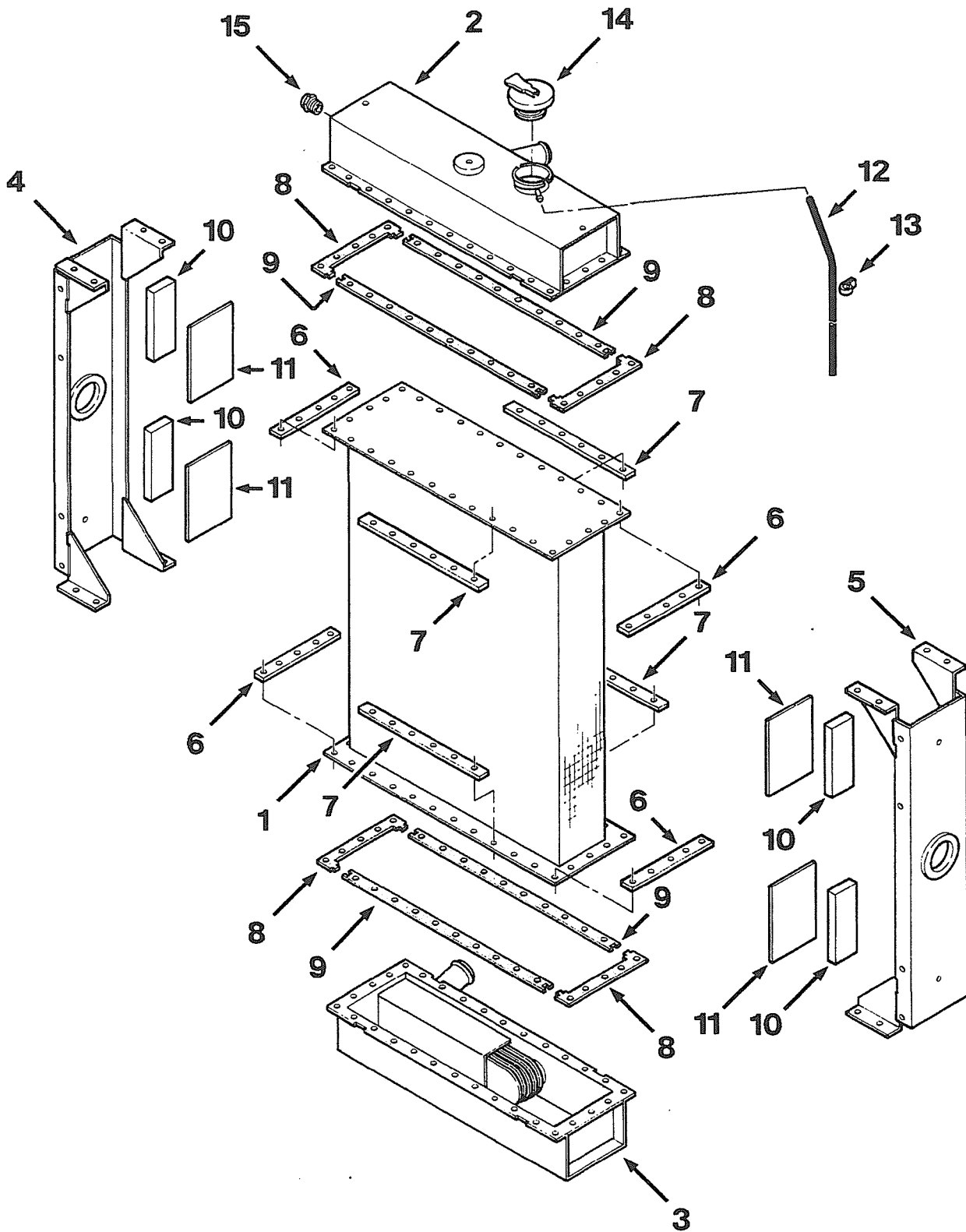
Item	Part Number	Description	Qty.	Ref.
	1311 221 H91	RADIATOR AND CONNECTIONS	1	F1
1		.RADIATOR (SEE PG 06-004)	1	
2	622 456 C1	.BRACKET, MOUNTING	2	
	24 859 R1	.BOLT, HEX - 1/2NCx3/4	6	
	25 536 R1	.WASHER, FLAT - 1/2	6	
3	274 287 R2	.INSULATOR, RUBBER	2	
4	1309 150 H1	.TUBE, OUTLET	1	
5	279 027 R91	.CLAMP, HOSE	4	
6	1269 073 H1	.HOSE, INLET	1	
7	279 038 R91	.CLAMP, HOSE	1	
8	279 026 R91	.CLAMP, HOSE	1	
9	103 647	.DRAINCOCK	1	
10	1269 932 H1	.SEAL, TOP AND BOTTOM	2	
11	1269 933 H1	.SEAL, SIDE	2	
12		.HOSE, VENT - 18 IN LONG	1	F2
13	176 057 H1	.FITTING, HOSE	1	
14	27 860 R1	.CLAMP, HOSE	2	
	306 132 C2	.STRAP, TIE	AR	
15	1309 089 H1	.HOSE, UPPER RADIATOR	1	
16	1129 556 H1	.HOSE	1	
17		LINK, STABILIZER (SEE PG 09-002)	1	
18		FITTING, VENT (SEE PG 12-108)	1	
	364 357 C1	HOSE, BULK	AR	

F1 - PART NUMBER IS A NON-SERVICE PART AND IS LISTED FOR REFERENCE ONLY.
ORDER INDIVIDUAL PIECE PARTS.

F2 - CUT REQUIRED LENGTH FROM BULK HOSE 364 357 C1.

COOLING

RADIATOR



C06AM017

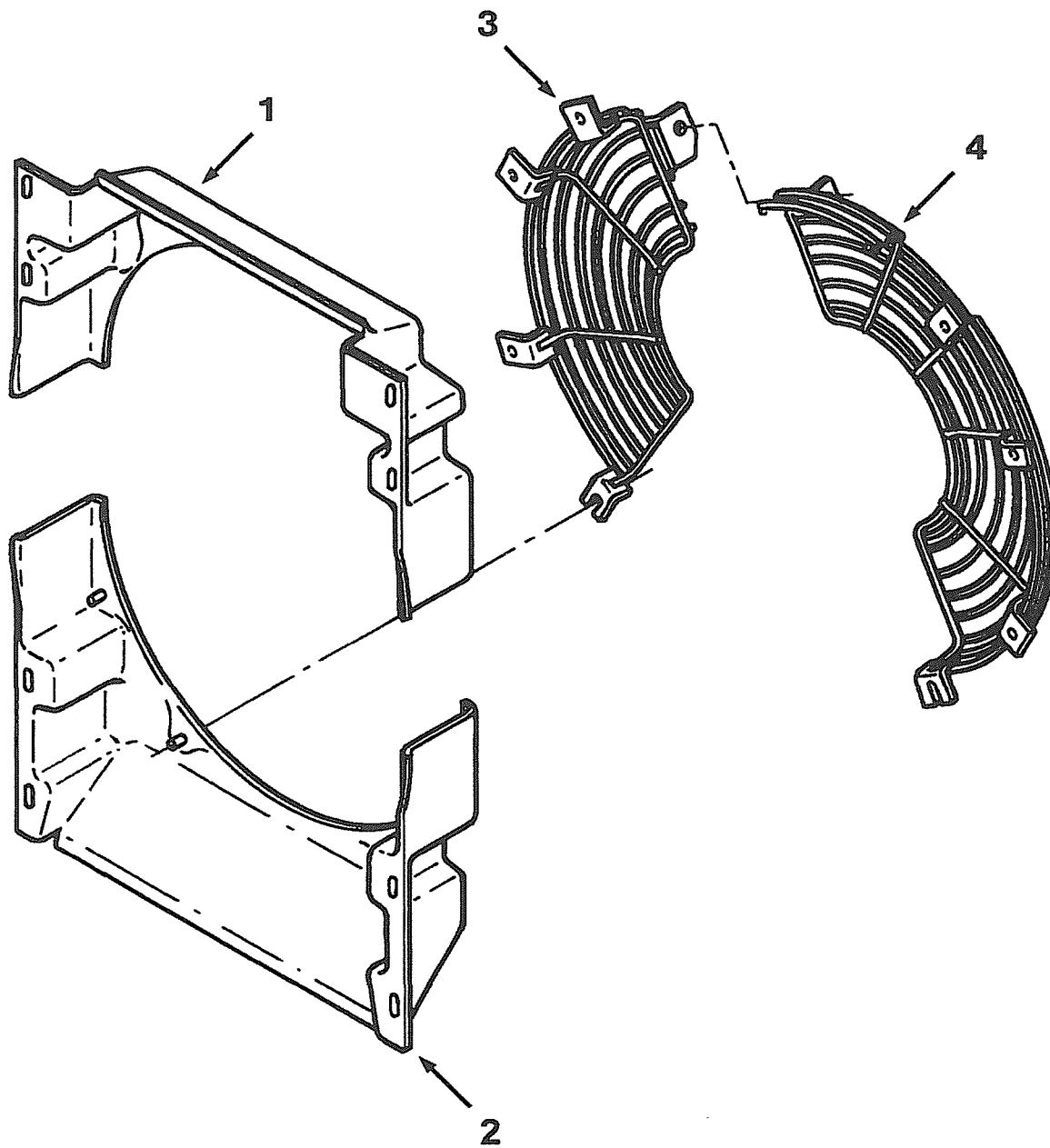
COOLING

RADIATOR

Item	Part Number	Description	Qty.	Ref.
	1299 128 H92	RADIATOR ASSY, MODINE	1	
1	1299 939 H91	.CORE AND HEADER	1	
2	1299 940 H91	.TANK, TOP	1	
3	1299 941 H91	.TANK, BOTTOM	1	
4	1299 942 H91	.SIDE, RIGHT	1	
	25 493 R1	.BOLT, HEX - 5/16NCx1	8	
	120 214	.WASHER, LOCK - 5/16	8	
	25 520 R1	.NUT, HEX - 5/16NC	8	
5	1299 943 H91	.SIDE, LEFT	1	
	25 493 R1	.BOLT, HEX - 5/16NCx1	8	
	120 214	.WASHER, LOCK - 5/16	8	
	25 520 R1	.NUT, HEX - 5/16NC	8	
6	1299 944 H1	.BAR, BOLTING	4	
	25 493 R1	.BOLT, HEX - 5/16NCx1	24	
	120 214	.WASHER, LOCK - 5/16	24	
	25 520 R1	.NUT, HEX - 5/16NC	24	
7	1299 945 H1	.BAR, BOLTING	4	
	25 493 R1	.BOLT, HEX - 5/16NCx1	20	
	120 214	.WASHER, LOCK - 5/16	20	
	25 520 R1	.NUT, HEX - 5/16NC	20	
8	1299 946 H1	.GASKET, END	4	
9	1299 947 H1	.GASKET, STRIP	4	
10	1299 948 H1	.SUPPORT, CORE	4	
11	1299 949 H1	.SIDE, CORE	4	
12	1299 950 H1	.TUBE, OVERFLOW	1	
13	1299 951 H1	.CLIP, HOSE	2	
14	73 736	.CAP, RADIATOR	1	
15	1299 952 H2	.GLASS, SIGHT	1	

COOLING

FAN SHROUDS AND GUARDS



C06AR015

COOLING

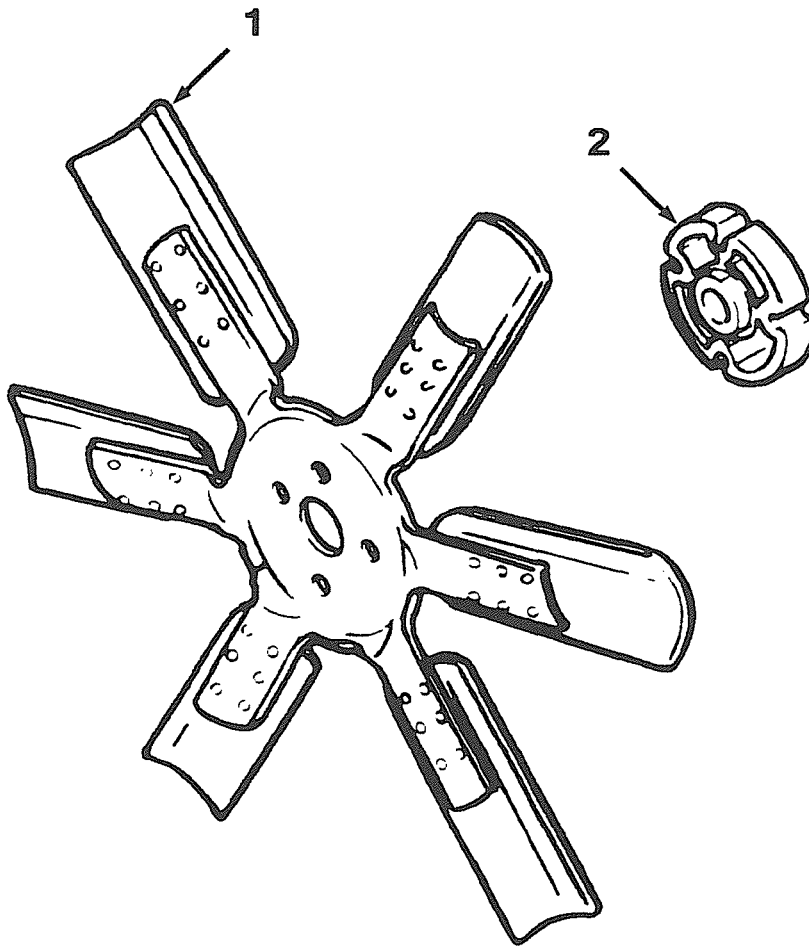
FAN SHROUDS AND GUARDS

Item	Part Number	Description	Qty.	Ref.
	1269 788 H91	FAN SHROUDS AND GUARDS	1	F1
1	1278 564 H1	.SHROUD, UPPER FAN	1	
	26 309 R1	.BOLT, HEX - 3/8NCx3/4	4	
	25 544 R1	.WASHER, FLAT - 3/8	4	
2	1278 565 H1	.SHROUD, LOWER FAN	1	
	26 309 R1	.BOLT, HEX - 3/8NCx3/4	4	
	25 544 R1	.WASHER, FLAT - 3/8	4	
3	1269 740 H91	.GUARD, RIGHT FAN	1	
	25 493 R1	.BOLT, HEX - 5/16NCx1	4	
	1311 024 H1	.WASHER, SPECIAL	4	
4	1269 739 H91	.GUARD, LEFT FAN	1	
	25 493 R1	.BOLT, HEX - 5/16NCx1	5	
	1311 024 H1	.WASHER, SPECIAL	5	
	25 520 R1	.NUT, HEX - 5/16NC	1	

F1 - PART NUMBER IS A NON-SERVICE PART AND IS LISTED FOR REFERENCE ONLY.
ORDER INDIVIDUAL PIECE PARTS.

COOLING

BLOWER FAN



C06AR013

COOLING

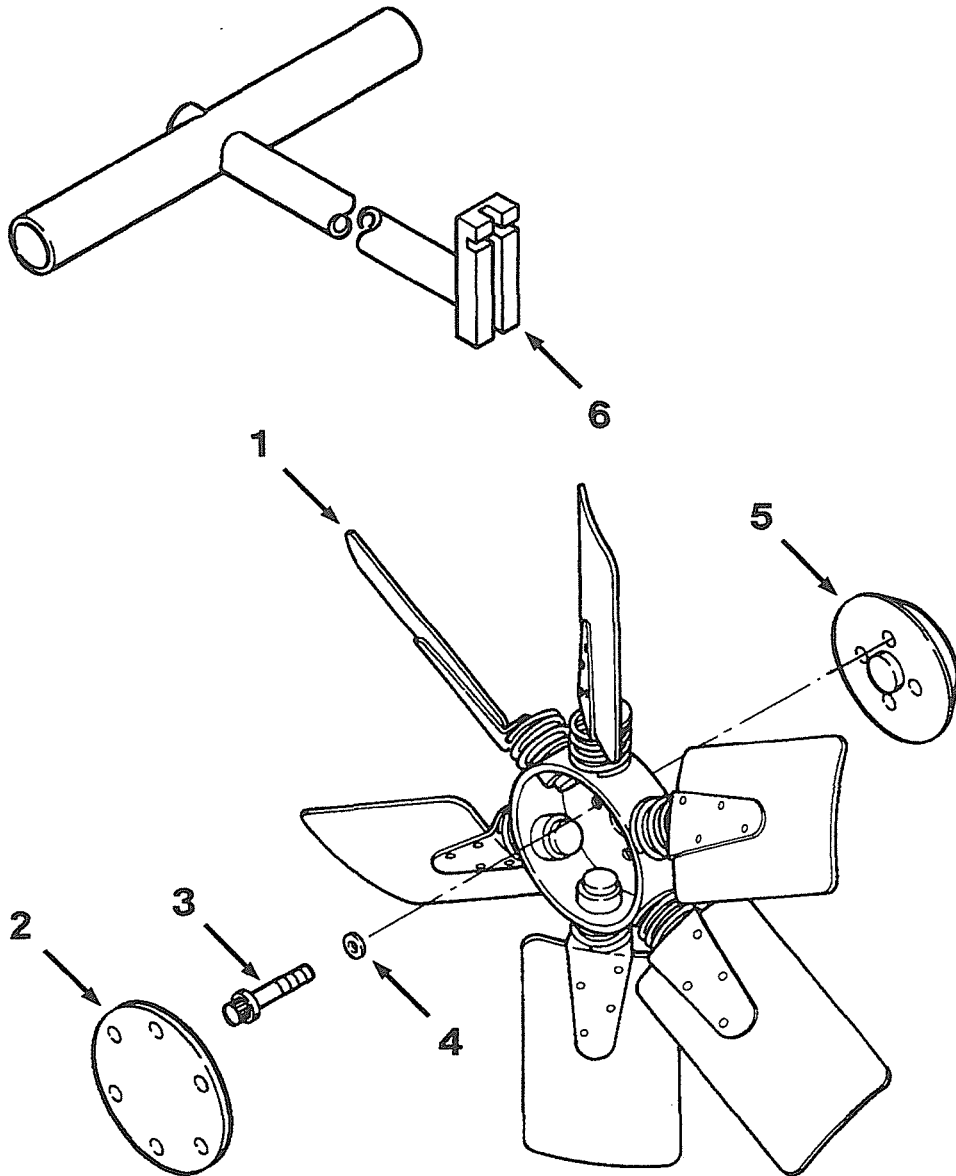
BLOWER FAN

Item	Part Number	Description	Qty.	Ref.
	1270 292 H91	BLOWER FAN	1	F1
1	1270 069 H1	.FAN, BLOWER	1	
	30 028 R1	.BOLT, HEX - M10x65	4	
	25 534 R1	.WASHER, FLAT - 3/8	4	
2	1269 876 H1	.SPACER	1	

F1 - PART NUMBER IS A NON-SERVICE PART AND IS LISTED FOR REFERENCE ONLY.
ORDER INDIVIDUAL PIECE PARTS.

COOLING

REVERSIBLE FAN



C06AR014

COOLING

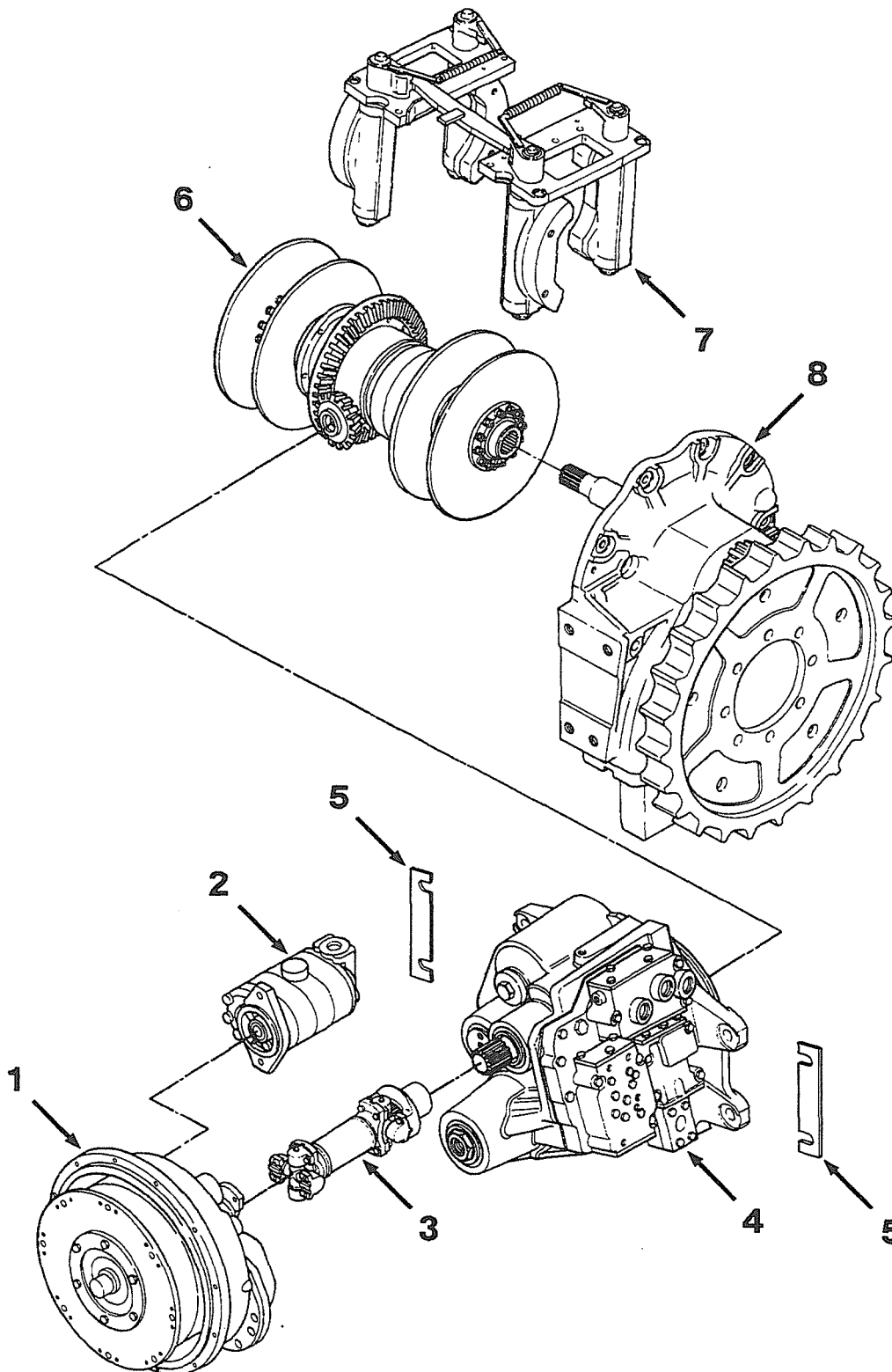
REVERSIBLE FAN

Item	Part Number	Description	Qty.	Ref.
	1270 293 H91	REVERSIBLE FAN	1	F1
	1278 802 H1	.FAN ASSY, REVERSIBLE	1	
1	NSS	..FAN, REVERSIBLE	1	
2	NSS	..COVER, FRONT	1	
	NSS	..BOLT, HEX	6	
	NSS	..WASHER, LOCK	6	
3	1298 696 H1	.BOLT, HEX - M10x55	4	} OPTIONAL
3	01437-11055	.BOLT, HEX - M10x55	4	
4	25 534 R1	.WASHER, FLAT - 3/8	4	
5	1243 682 H1	.SPACER, FAN	1	
6	645 240 C1	.TOOL, FAN REVERSING	1	

F1 - PART NUMBER IS A NON-SERVICE PART AND IS LISTED FOR REFERENCE ONLY.
ORDER INDIVIDUAL PIECE PARTS.

DRIVE TRAIN

DRIVE LINE



C07AD002

DRIVE TRAIN

DRIVE LINE

Item	Part Number	Description	Qty.	Ref.
1		TORQUE CONVERTER (SEE PG 07-022)	1	F1
1		TORQUE CONVERTER (SEE PG 07-030)	1	F2
	30 024 R1	BOLT, HEX - M10x45	12	
	30 176 R1	WASHER, FLAT - M10	12	
	26 318 R1	BOLT, HEX - 1/2NCx1-1/2	8	
	25 536 R1	WASHER, FLAT - 1/2	8	
				} FLEX PLATE
2		PUMP, CHARGE AND SCAVENGE (SEE PG 07-020)	1	
	468 339 R1	SEAL, MOUNTING	1	
	25 506 R1	BOLT, HEX - 1/2NCx1-5/8	2	
	25 536 R1	WASHER, FLAT - 1/2	2	
3		DRIVE SHAFT (SEE PG 07-034)	1	
	25 705 R1	BOLT, HEX - 3/8NFx1-3/4	4	
4		TRANSMISSION, COMPLETE (SEE PG 07-042)	1	
	936 658 C1	RING, SEAL - CASE	1	F3
	24 889 R1	BOLT, HEX - 3/4NCx2-1/4	4	
	25 538 R1	WASHER, FLAT - 3/4	4	
5	621 156 C1	SHIM, MOUNTING - 0.002 IN	AR	F3
	621 157 C1	SHIM, MOUNTING - 0.007 IN	AR	F3
	621 158 C1	SHIM, MOUNTING - 0.020 IN	AR	F3
6		STEERING DRIVE (SEE PG 07-078)	1	
7		BRAKE SHOES AND LEVERS (SEE PG 04-014)	1	
8		FINAL DRIVE (SEE PG 07-082)	1	

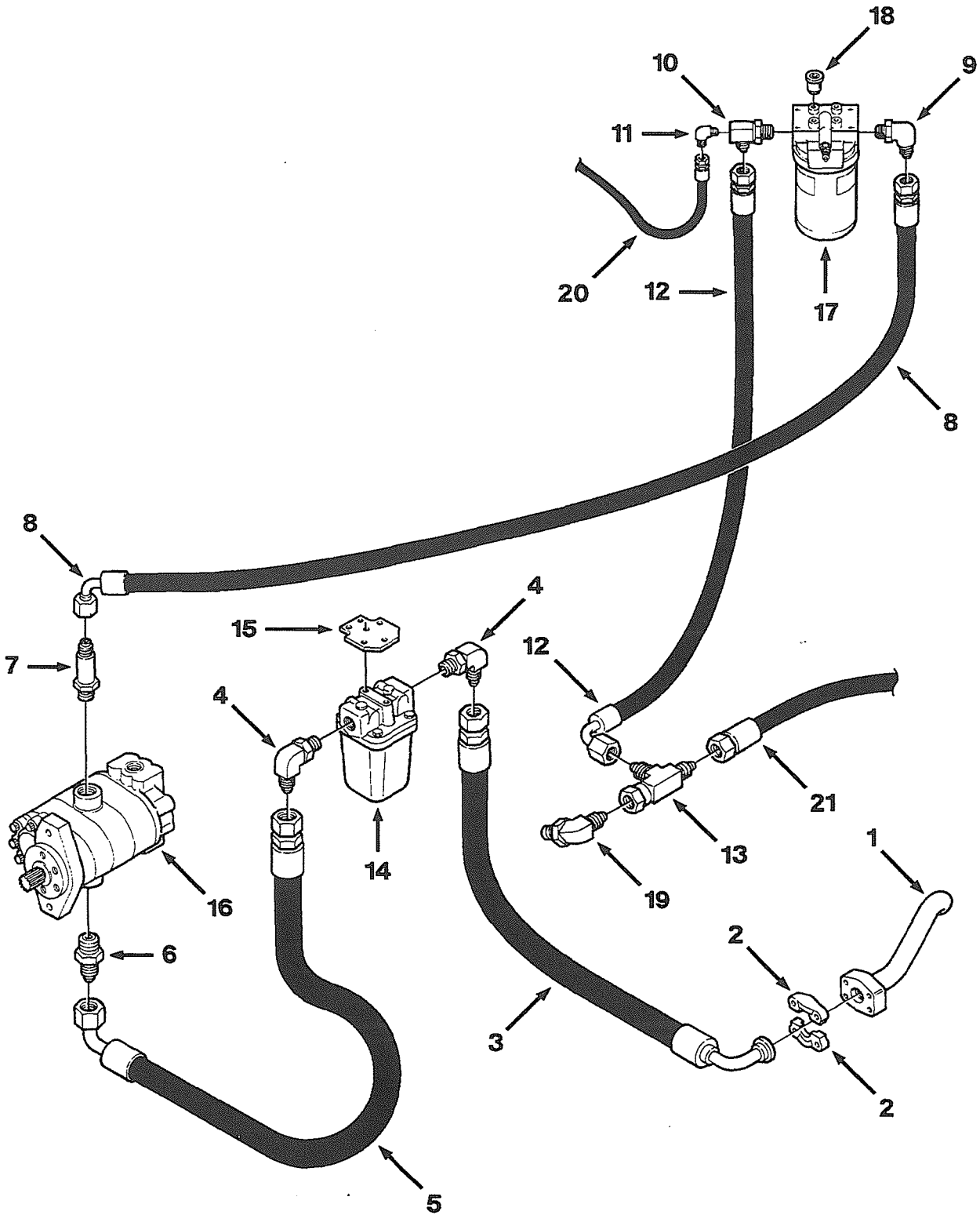
F1 - WITH TWO PIECE STYLE CONVERTER HOUSING.

F2 - WITH ONE PIECE STYLE CONVERTER HOUSING.

F3 - PART OF TRANSMISSION SERVICE KIT 741 453 C93.

DRIVE TRAIN

DRIVE TRAIN PIPING FRAME TO STRAINER TO PUMP TO FILTER



C07BH010

DRIVE TRAIN

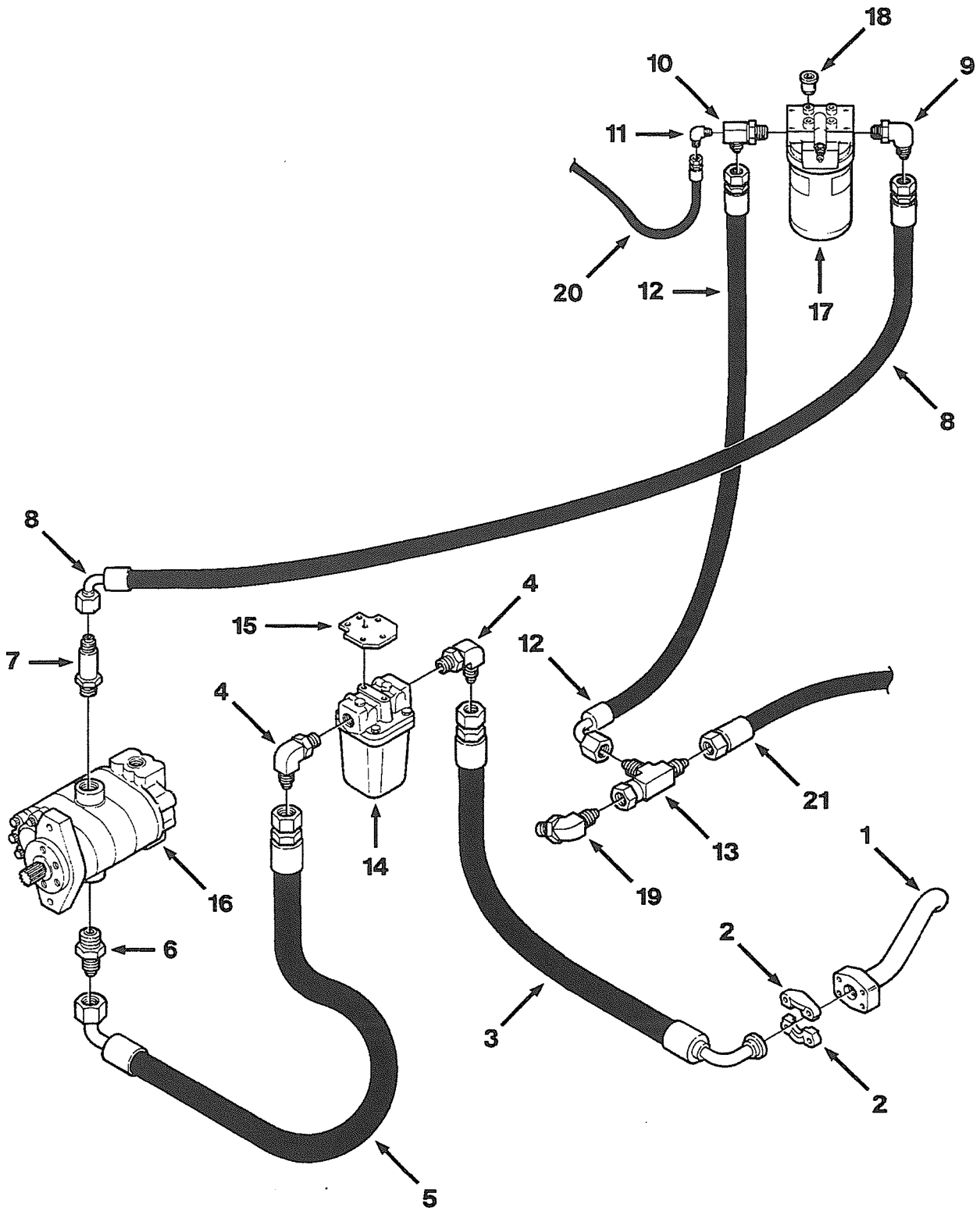
DRIVE TRAIN PIPING FRAME TO STRAINER TO PUMP TO FILTER

Item	Part Number	Description	Qty. Ref.
1	709 475 C1	TUBE, RMF SUCTION	1
	343 900 R1	RING, SEAL	1
2	877 949 C2	FLANGE, SPLIT	2
	24 621 R1	BOLT, HEX - 3/8NCx2-1/4	4
3	1285 372 H1	HOSE, TUBE TO STRAINER	1
	343 906 R1	RING, SEAL - AT TUBE	1
4	9410 981	ELBOW, 90°	2
	296 247 R1	RING, SEAL	2
5	932 449 C1	HOSE, STRAINER TO PUMP	1
6	9410 207	CONNECTOR	1
	296 247 R1	RING, SEAL	1
7	9410 231	CONNECTOR	1
	368 269 R1	RING, SEAL	1
8	1280 340 H1	HOSE, PUMP TO FILTER	1
9	150 776 C91	ELBOW, 90° - INLET	1
	296 247 R1	RING, SEAL	1
10	708 417 C1	ELBOW, 90° - OUTLET	1
	296 247 R1	RING, SEAL	1
11	585 694 R1	ELBOW, 90° - PILOT VALVE	1
12	1201 625 C1	HOSE, FILTER TO VALVE TEE	1
	317 262 R1	CLAMP, HOSE	1
13	9410 335	TEE, AT VALVE	1
14		STRAINER, SUCTION (SEE PG 07-016)	1
	24 839 R1	BOLT, HEX - 3/8NCx3/4	2
	25 534 R1	WASHER, FLAT - 3/8	2
15	709 176 C2	BRACKET, MOUNTING	1
	24 840 R1	BOLT, HEX - 3/8NCx1	2
	25 534 R1	WASHER, FLAT - 3/8	2
16		PUMP, CHARGE AND SCAVENGE (SEE PG 07-020)	1
17		FILTER, PRESSURE (SEE PG 07-018)	1
	140 483 H	BOLT, HEX - 3/8NCx1-1/4	2
	178 372 R1	WASHER, FLAT - 27/64	4
18	625 875 C1	MOUNT, SHOCK	2
19		TEE, AT M PORT REG VALVE (SEE PG 07-042)	1
20		HOSE, PILOT VALVE FEED (SEE PG 07-042)	1
21		HOSE, HAND STEER FEED (SEE PG 07-012)	1

CONTINUED ON NEXT PAGE

DRIVE TRAIN

DRIVE TRAIN PIPING FRAME TO STRAINER TO PUMP TO FILTER



C07BH010

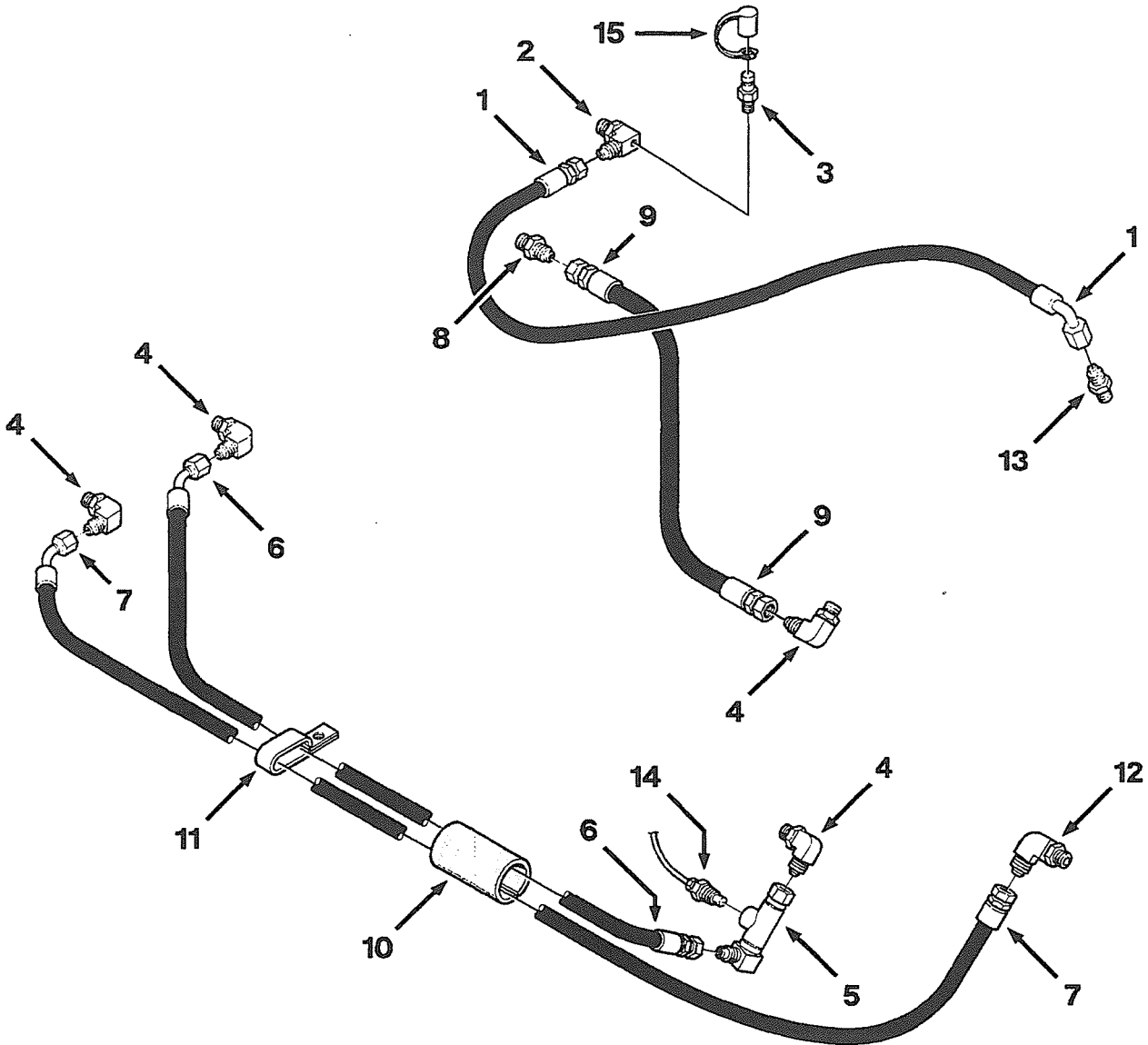
DRIVE TRAIN

DRIVE TRAIN PIPING FRAME TO STRAINER TO PUMP TO FILTER

Item	Part Number	Description	Qty.	Ref.
21		HOSE, FOOT STEER FEED (SEE PG 07-014)	1	
	306 132 C2	STRAP, TIE		AR

DRIVE TRAIN

DRIVE TRAIN PIPING CONVERTER LINES



C07BH011

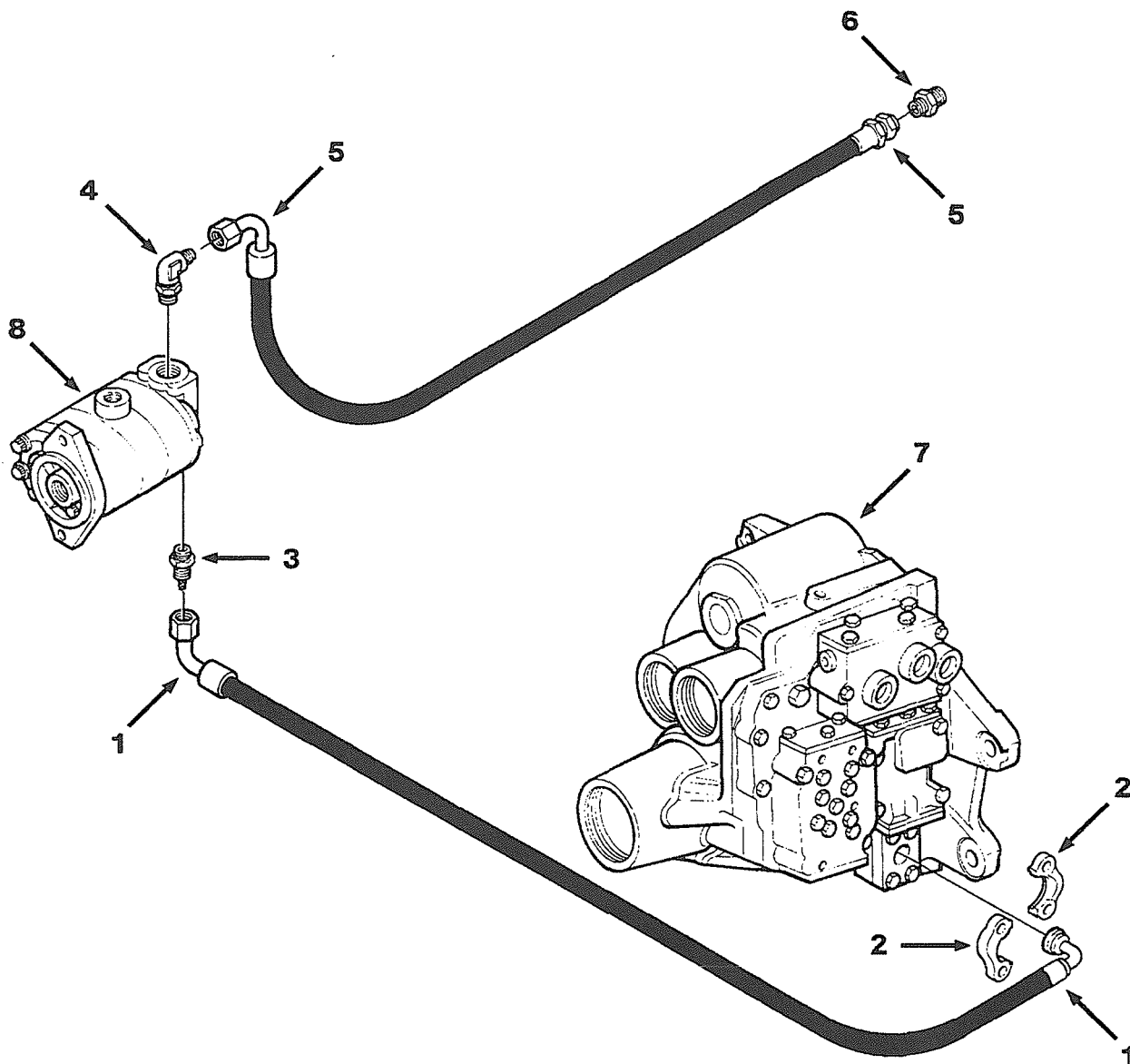
DRIVE TRAIN

DRIVE TRAIN PIPING CONVERTER LINES

Item	Part Number	Description	Qty.	Ref.
1	710 741 C2	HOSE, CONVERTER INLET	1	
2	656 528 C1	ELBOW, 90°	1	
	368 269 R1	RING, SEAL	1	
3	161 849	QUICK DISCONNECT	1	
4	9410 979	ELBOW, 90°	4	
	368 269 R1	RING, SEAL	4	
5	1282 836 H1	TUBE, ADAPTER	1	
6	1214 175 H1	HOSE, COOLER INLET	1	
7	1201 626 C1	HOSE, COOLER OUTLET	1	
8	9410 205	CONNECTOR	1	
	368 269 R1	RING, SEAL	1	
9	336 627 R91	HOSE, CONVERTER DRAIN	1	
10	736 983 C1	HOSE, CHAFING	1	
	306 132 C2	STRAP, TIE	2	
11	317 262 R1	CLAMP, HOSE	1	
	24 839 R1	BOLT, HEX - 3/8NCx3/4	1	
	25 534 R1	WASHER, FLAT - 3/8	1	
12		ELBOW, LUBE INLET (SEE PG 07-042)	1	
13		CONNECTOR, C PORT REG VALVE (SEE PG 07-042)	1	
14		SENDER, TEMPERATURE (SEE PG 08-002 OR 010)	1	
15	162 144	CAP, DUST	1	
	306 132 C2	STRAP, TIE	AR	

DRIVE TRAIN

DRIVE TRAIN PIPING CONVERTER SCAVENGE LINES



C07BH012

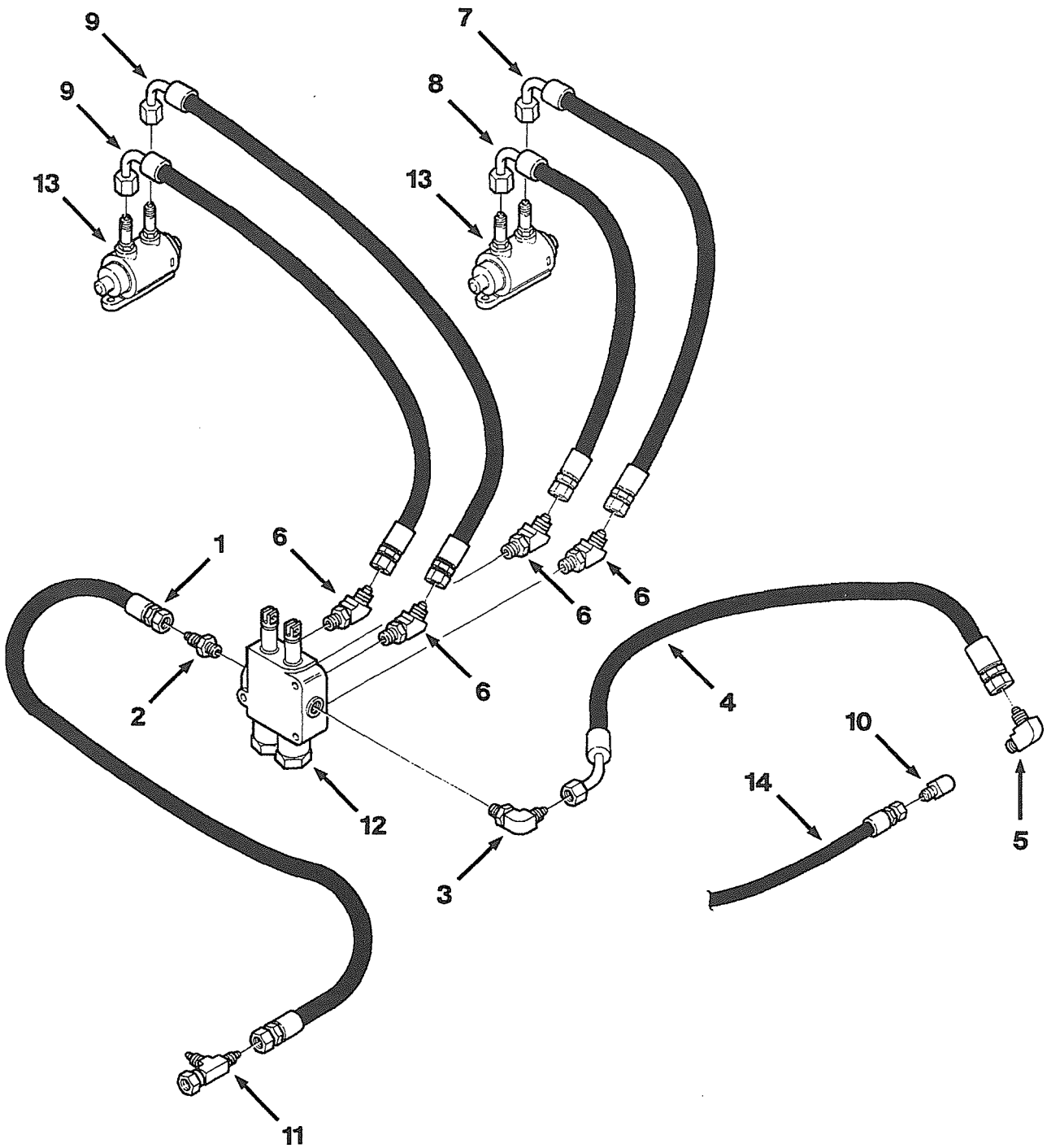
DRIVE TRAIN

DRIVE TRAIN PIPING CONVERTER SCAVENGE LINES

Item	Part Number	Description	Qty.	Ref.
1	742 262 C2	HOSE, SCAVENGE	1	
	343 909 R1	RING, SEAL - AT TRANSMISSION	1	
2	290 045 R1	FLANGE, SPLIT	2	
	27 411 R1	BOLT, HEX - 7/16NCx2	4	
3	706 770 C1	FITTING, STRAINER	1	
	307 915 R1	RING, SEAL	1	
4	150 776 C91	ELBOW, 90°	1	
	296 247 R1	RING, SEAL	1	
5	710 741 C2	HOSE, PUMP TO RMF	1	
6	9410 205	CONNECTOR	1	
	368 269 R1	RING, SEAL	1	
7		TRANSMISSION (SEE PG 07-042)	1	
8		PUMP, CHARGE AND SCAVENGE (SEE PG 07-020)	1	
	306 132 C2	STRAP, TIE		AR

DRIVE TRAIN

DRIVE TRAIN PIPING HAND STEERING LINES



C07BH013

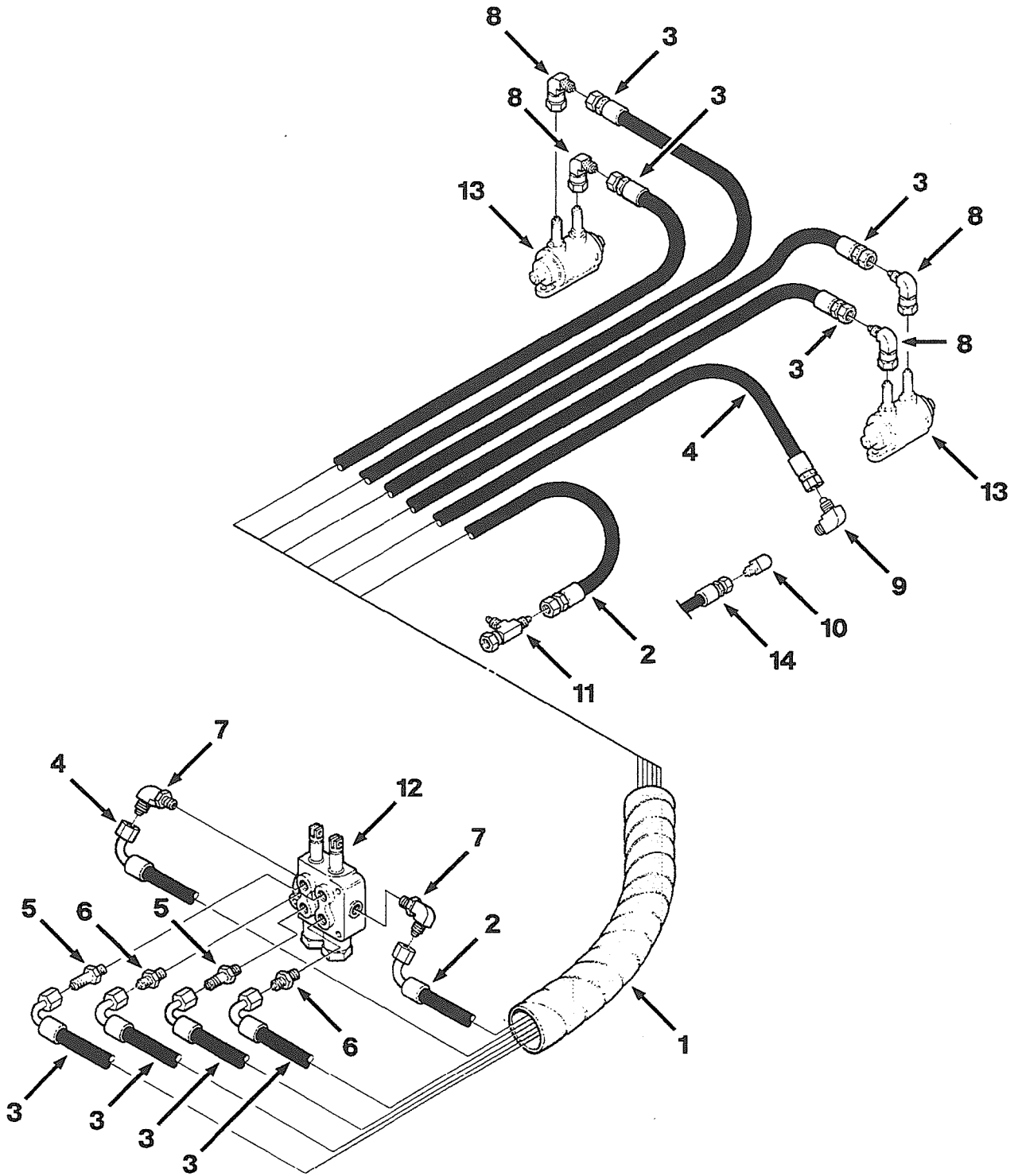
DRIVE TRAIN

DRIVE TRAIN PIPING HAND STEERING LINES

Item	Part Number	Description	Qty.	Ref.
1	647 084 C1	HOSE, VALVE INLET	1	
2	384 539 R1	CONNECTOR, INLET	1	
	570 828 R1	RING, SEAL	1	
3	9410 977	ELBOW, 90° OUTLET	1	
	570 828 R1	RING, SEAL	1	
4	708 849 C1	HOSE, VALVE OUTLET	1	
5	9402 865	ELBOW, 90°	1	
6	9411 105	ELBOW, 45°	4	
	570 828 R1	RING, SEAL	4	
7	1280 222 H1	HOSE, LEFT REAR	1	
8	1280 222 H1	HOSE, LEFT FRONT	1	
9	1280 222 H1	HOSE, RIGHT FRONT AND REAR	2	
10	333 934 R1	ELBOW, 90°	1	
11		TEE, AT M PORT REG VALVE (SEE PG 07-042)	1	
12		VALVE, STEERING (SEE PG 07-072)	1	
13		STEERING CYLINDER CONNECTIONS (SEE PG 07-074)	1	
14		HOSE, MANIFOLD DRAIN (SEE PG 07-042)	1	

DRIVE TRAIN

DRIVE TRAIN PIPING FOOT STEERING LINES



C07BH014

DRIVE TRAIN

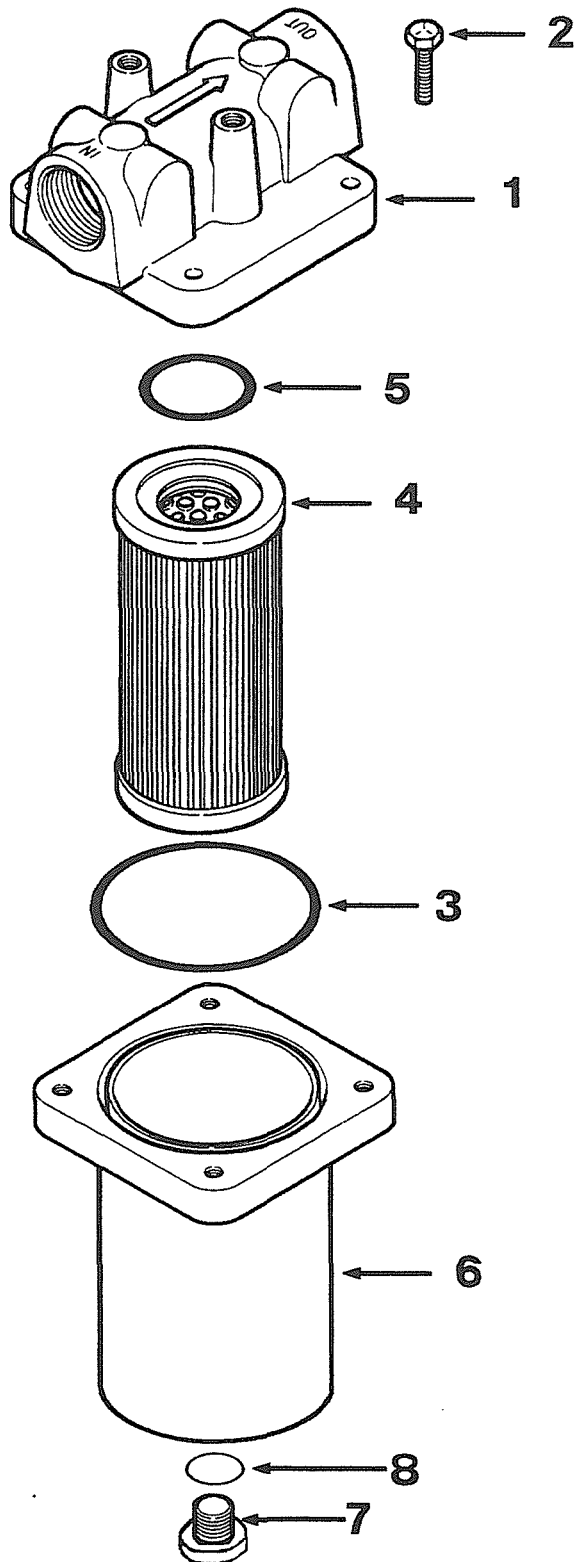
DRIVE TRAIN PIPING FOOT STEERING LINES

Item	Part Number	Description	Qty.	Ref.
1		SLEEVE, PROTECTIVE - 24 IN LONG	1	F1
2	1280 682 H1	HOSE, VALVE INLET	1	
3	1279 688 H1	HOSE, APPLY	4	
4	1279 689 H1	HOSE, VALVE OUTLET	1	
5	9410 229	CONNECTOR, LONG	2	
	570 828 R1	RING, SEAL	2	
6	9410 203	CONNECTOR, SHORT	2	
	570 828 R1	RING, SEAL	2	
7	9410 977	ELBOW, 90°	2	
	570 828 R1	RING, SEAL	2	
8	9410 281	ELBOW, 90°	4	
9	9402 865	ELBOW, 90°	1	
10	333 934 R1	ELBOW, 90°	1	
11		TEE, AT M PORT REG VALVE (SEE PG 07-042)	1	
12		VALVE, STEERING (SEE PG 07-072)	1	
13		STEERING CYLINDER CONNECTIONS (SEE PG 07-074)	1	
14		HOSE, MANIFOLD DRAIN (SEE PG 07-042)	1	
	306 132 C2	STRAP, TIE		AR
	160 927	SLEEVE, BULK PROTECTIVE		AR

F1 - CUT REQUIRED LENGTH FROM BULK PROTECTIVE SLEEVE 160 927.

DRIVE TRAIN

SUCTION STRAINER



C07BV016

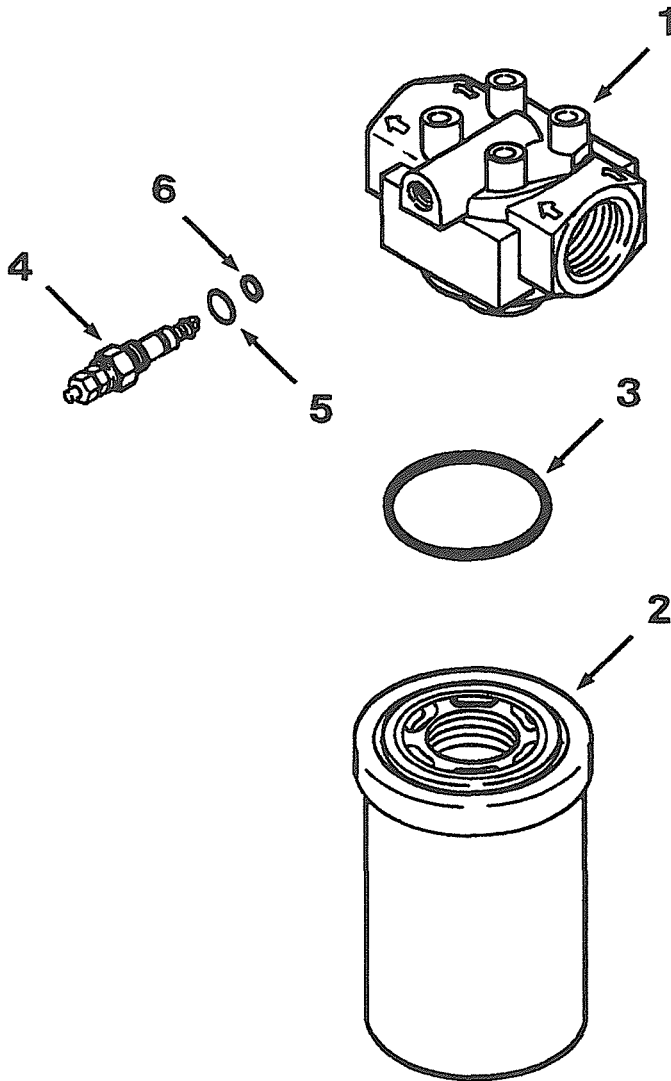
DRIVE TRAIN

SUCTION STRAINER

Item	Part Number	Description	Qty.	Ref.
	1211 041 H92	STRAINER ASSY, SUCTION	1	
1	NSS	.BASE, STRAINER	1	
2	179 797	.BOLT, HEX - 1/4NCx1	4	
3	354 836 R1	.RING, SEAL	1	
	619 214 C1	.ELEMENT ASSY, 60 MESH	1	
4	NSS	..ELEMENT, STRAINER	1	
5	708 560 R1	..RING, SEAL	1	
6	NSS	.HOUSING, STRAINER	1	
7	610 261 C1	.PLUG, DRAIN	1	
8	364 839 R1	.O-RING	1	

DRIVE TRAIN

PRESSURE FILTER



C07BV010

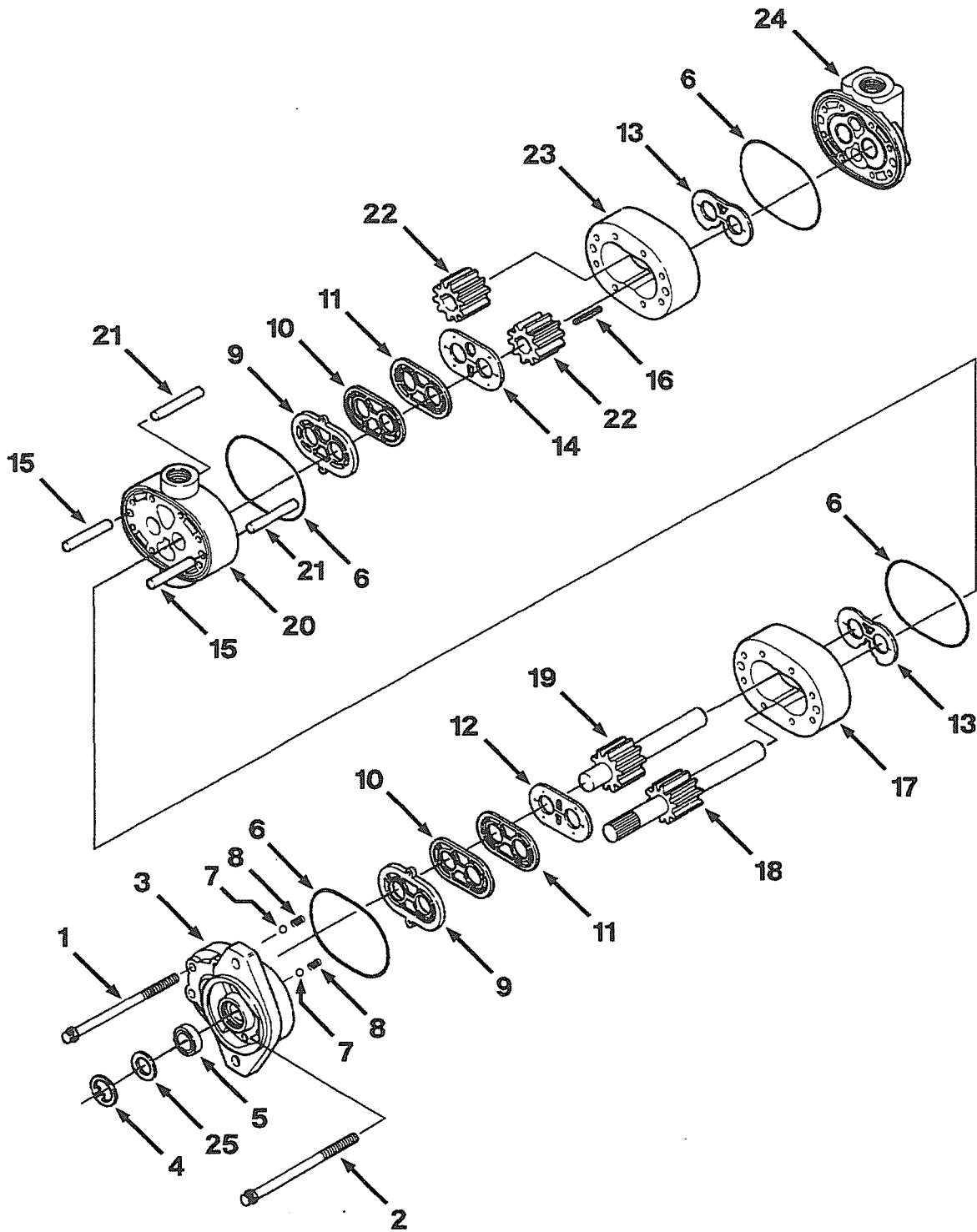
DRIVE TRAIN

PRESSURE FILTER

Item	Part Number	Description	Qty.	Ref.
	1266 752 H91	FILTER ASSY, PRESSURE	1	
1	NSS	.BASE, FILTER	1	
	1266 751 H2	.ELEMENT ASSY, FILTER	1	
2	NSS	..ELEMENT, FILTER	1	
3	NSS	..RING, SEAL	1	
	1267 903 H91	.INDICATOR ASSY, SERVICE	1	
4	NSS	..INDICATOR	1	
5	364 839 R1	..RING, SEAL	1	
6	359 158 R1	..RING, SEAL	1	

DRIVE TRAIN

CHARGE AND SCAVENGE PUMP



C07BR026

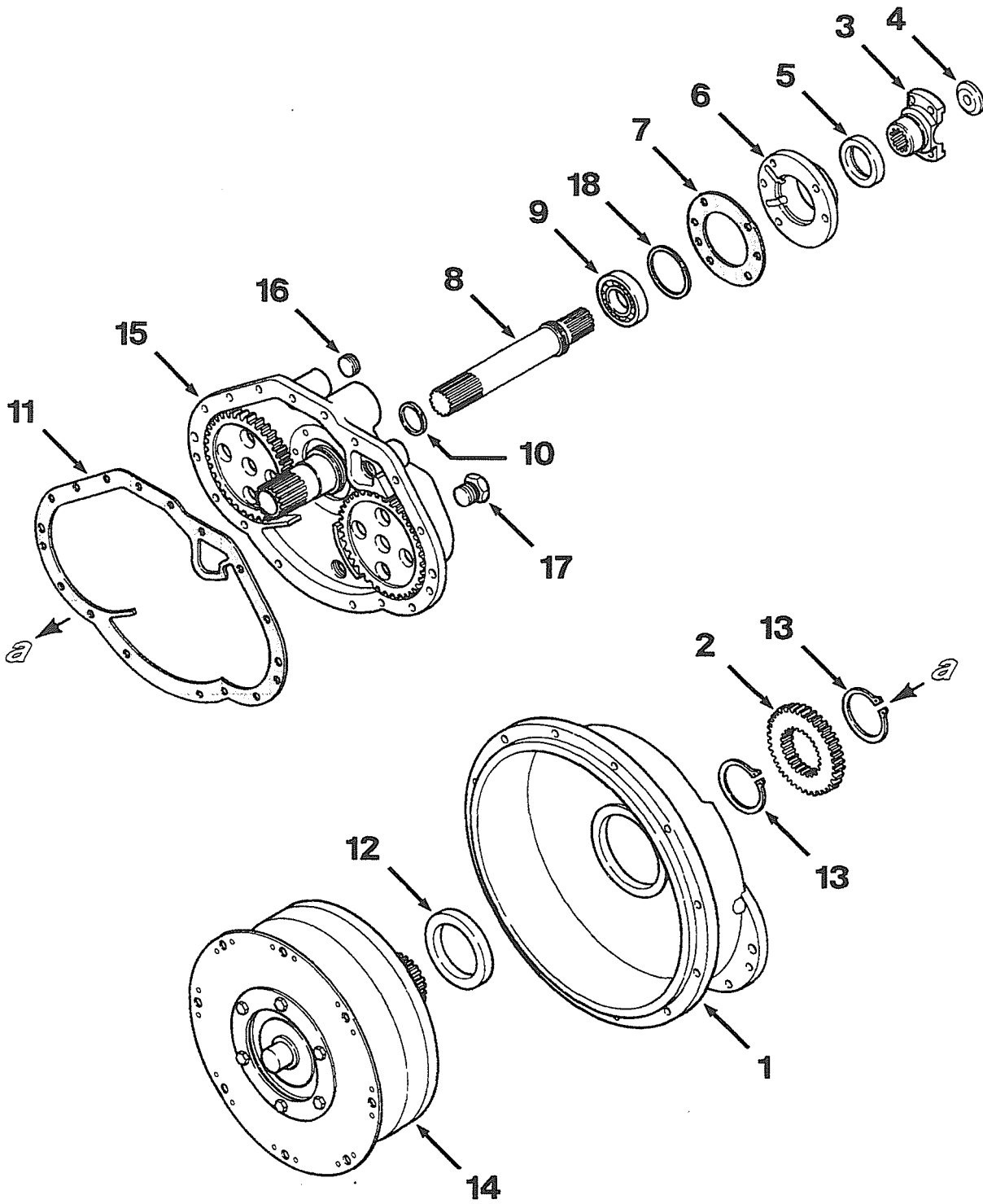
DRIVE TRAIN

CHARGE AND SCAVENGE PUMP

Item	Part Number	Description	Qty.	Ref.
	706 980 C91	PUMP ASSY, CHARGE AND SCAVENGE	1	
1	27 712 R1	.BOLT, HEX - 3/8NCx6-3/4	4	
2	27 713 R1	.BOLT, HEX - 3/8NCx7	4	
3	NSS	.PLATE, FRONT	1	
	637 937 C91	.KIT, REPAIR	1	
4	NSS	..RING, RETAINING	1	
5	NSS	..SEAL, OIL	1	
6	NSS	..RING, SEAL	4	
7	NSS	..BALL, CHECK	2	
8	NSS	..SPRING, BALL CHECK	2	
9	NSS	..SEAL, DIAPHRAGM	2	
10	NSS	..GASKET, PROTECTOR	2	
11	NSS	..GASKET, BACK UP	2	
12	NSS	..DIAPHRAGM, FRONT	1	
13	NSS	..PLATE, THRUST	2	
14	NSS	..DIAPHRAGM, REAR	1	
15	NSS	.PIN, DOWEL - 2-3/4 IN LONG	2	
16	NSS	.KEY, GEAR	1	
17	NSS	.HOUSING, FRONT	1	
18	NSS	.GEAR AND SHAFT, DRIVE	1	
19	NSS	.GEAR AND SHAFT, IDLER	1	
20	NSS	.HOUSING, CENTER	1	
21	NSS	.PIN, DOWEL - 3 IN LONG	2	
22	NSS	.GEAR, REAR	2	
23	NSS	.HOUSING, REAR	1	
24	NSS	.PLATE, BACK	1	
25	1210 683 H1	.WASHER, SEAL RETAINER	1	

DRIVE TRAIN

TORQUE CONVERTER - TWO PIECE HOUSING COMPLETE ASSEMBLY



C07AZ091

DRIVE TRAIN

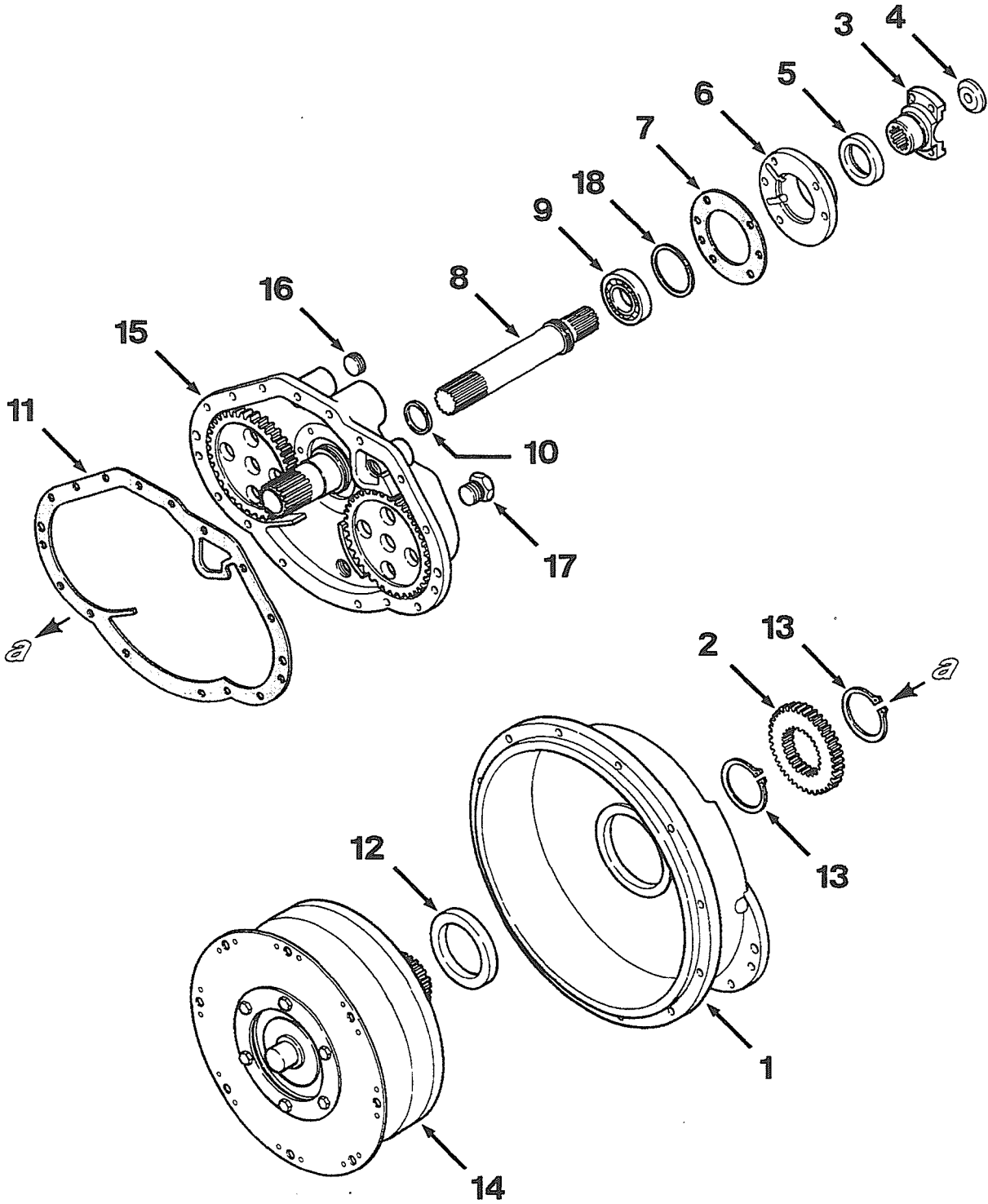
TORQUE CONVERTER - TWO PIECE HOUSING COMPLETE ASSEMBLY

Item	Part Number	Description	Qty.	Ref.
	1277 088 H91	TORQUE CONVERTER	1	F1
1	1243 846 H1	.HOUSING, CONVERTER	1	
2	619 954 C1	.GEAR, SPUR	1	
3	1278 268 H1	.YOKE, OUTPUT	1	
4	619 899 C1	.WASHER, FLAT	1	
	205 079 R1	.BOLT, HEX - 7/16NCx1-1/8	1	
	103 322	.WASHER, LOCK - 7/16	1	
5	619 982 C91	.SEAL, OIL	1	
6	619 961 C1	.RETAINER, BEARING	1	
	21 318 R1	.BOLT, HEX - 3/8NCx2-1/2	6	
	273 062 R1	.WASHER, SEAL	6	
7	619 956 C1	.GASKET, RETAINER	1	F2
8	619 959 C1	.SHAFT, OUTPUT	1	
9	ST 205 A	.BEARING, BALL	1	
10	619 972 C1	.RING, SEAL	1	F2
11	619 965 C1	.GASKET, COVER	1	F2
12	619 621 C91	.SEAL, OIL	1	F2
13	202 451 H1	.RING, RETAINING	2	F2
14		.CONVERTER ASSY (SEE PG 07-026)	1	
15		.HOUSING, REAR (SEE PG 07-028)	1	
	101 896 R1	.BOLT, HEX - 3/8NCx1-1/8	15	
	103 321	.WASHER, LOCK - 3/8	15	
	149 212 H1	.PIN, DOWEL	2	
16	347 554 R1	.PLUG, PORT	1	
17	77 427	.PLUG ASSY, PORT	1	
	65 482	.RING, SEAL	1	
18	619 898 C1	.SHIM, RETAINER - 0.005 IN	AR	F2
	619 897 C1	.SHIM, RETAINER - 0.010 IN	AR	F2
	619 896 C1	.SHIM, RETAINER - 0.020 IN	AR	F2
	625 879 C93	KIT, SEAL	1	
	627 193 C1	.RING, SEAL	1	
	619 965 C1	.GASKET, COVER	1	
	619 956 C1	.GASKET, RETAINER	2	
	619 957 C1	.GASKET, HUB	1	
	625 062 C1	.RING, SEAL	1	

CONTINUED ON NEXT PAGE

DRIVE TRAIN

TORQUE CONVERTER - TWO PIECE HOUSING COMPLETE ASSEMBLY



C07AZ091

DRIVE TRAIN

TORQUE CONVERTER - TWO PIECE HOUSING COMPLETE ASSEMBLY

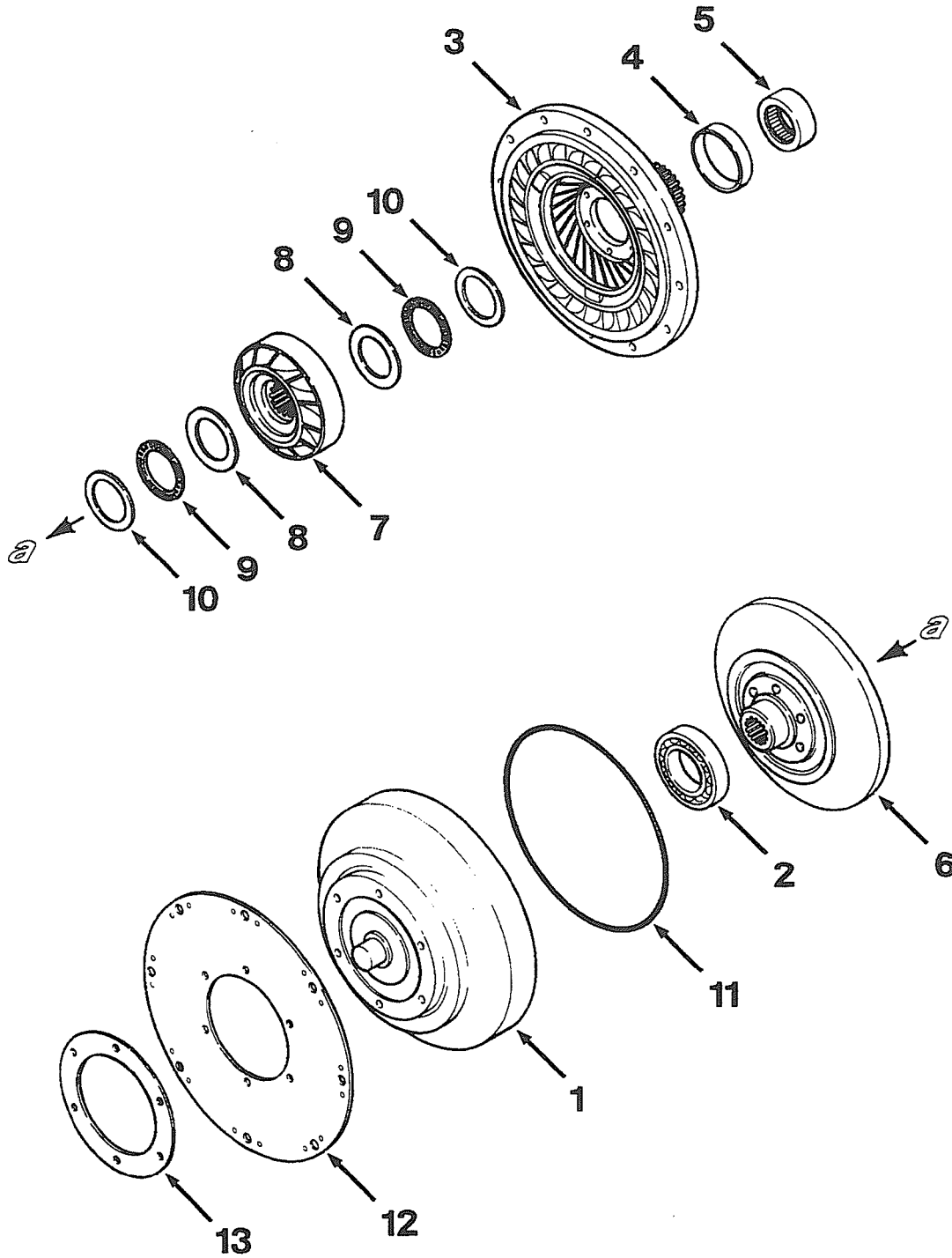
Item	Part Number	Description	Qty.	Ref.
	619 972 C1	.RING, SEAL	1	
	619 621 C91	.SEAL, OIL	1	
	619 896 C1	.SHIM - 0.020 IN	1	
	619 897 C1	.SHIM - 0.010 IN	2	
	619 898 C1	.SHIM - 0.005 IN	2	
	202 451 H1	.RING, RETAINING	2	
	630 411 C1	.SLEEVE, OIL SEAL	1	

F1 - OPTIONAL WITH ONE PIECE HOUSING CONVERTER 1311 100 H91.

F2 - PART OF TORQUE CONVERTER SEAL KIT 625 879 C93.

DRIVE TRAIN

TORQUE CONVERTER - TWO PIECE HOUSING CONVERTER ASSEMBLY



C07AZ092

DRIVE TRAIN

TORQUE CONVERTER - TWO PIECE HOUSING CONVERTER ASSEMBLY

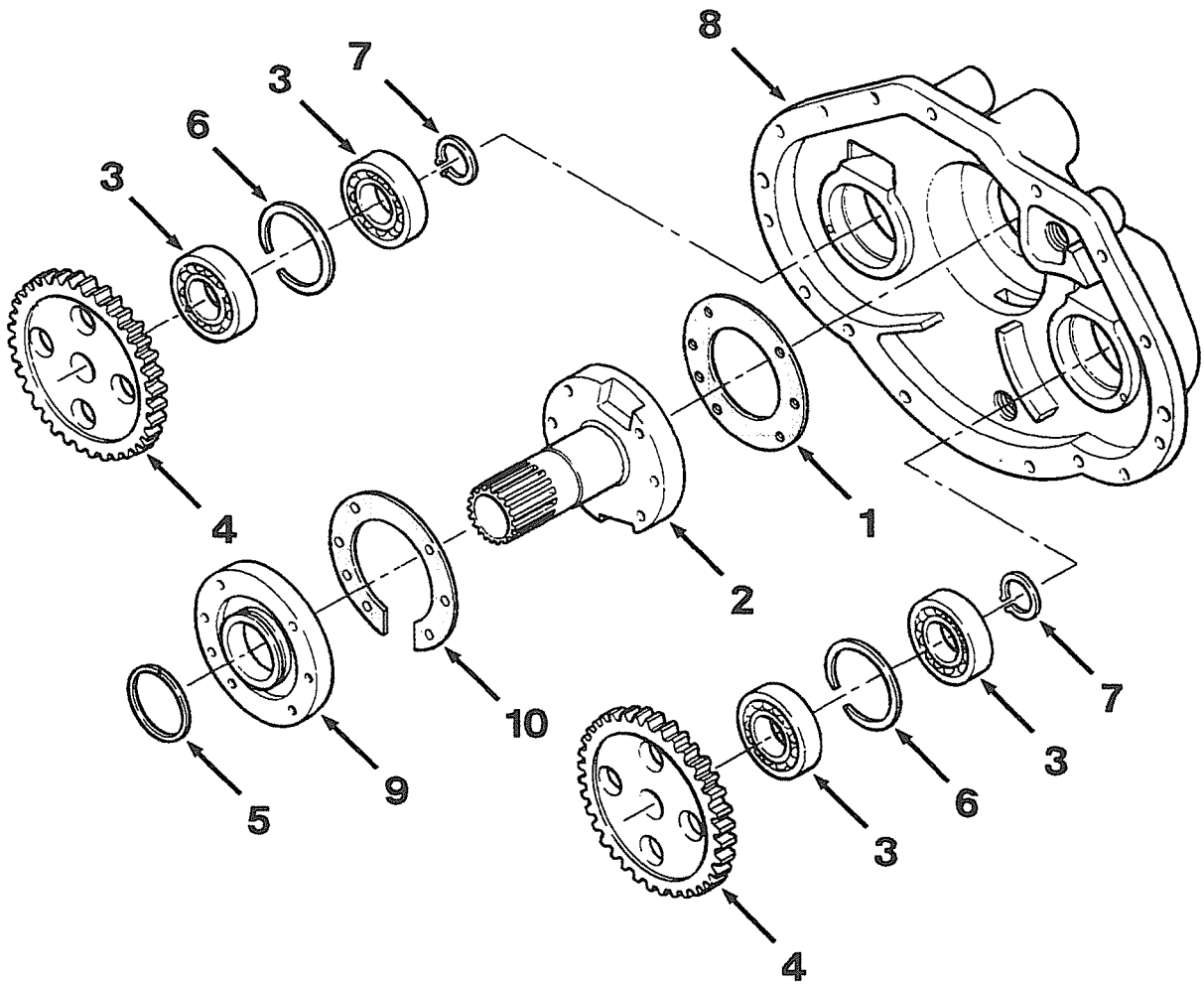
Item	Part Number	Description	Qty.	Ref.
	1278 275 H91	CONVERTER ASSY	1	F1
1	637 983 C1	.HOUSING, DRIVE	1	
2	606 265 C91	.BEARING, BALL	1	
	926 906 C1	.IMPELLER ASSY	1	
3	NSS	..IMPELLER	1	
4	630 411 C1	..SLEEVE, OIL SEAL	1	
	27 347 R1	.BOLT, HEX - 3/8NCx1-1/8	12	
	631 944 C1	.WASHER, FLAT	12	
5	625 885 C91	.BEARING, NEEDLE	1	
6	926 903 C1	.TURBINE	1	
7	1278 271 H1	.STATOR	1	
8	619 893 C1	.WASHER, THRUST	2	
9	625 060 C91	.BEARING, THRUST	2	
10	374 041 R1	.WASHER, THRUST	2	
11	627 193 C1	.RING, SEAL	1	F2
12	1245 942 H1	.PLATE, FLEX	1	
13	619 951 C1	.PLATE, LOCK	1	
	25 769 R1	.BOLT, HEX - 3/8NFx5/8	6	

F1 - PART NUMBER IS A NON-SERVICE PART AND IS LISTED FOR REFERENCE ONLY.
ORDER INDIVIDUAL PIECE PARTS.

F2 - PART OF TORQUE CONVERTER SEAL KIT 625 879 C93.

DRIVE TRAIN

TORQUE CONVERTER - TWO PIECE HOUSING REAR HOUSING



C07AZ093

DRIVE TRAIN

TORQUE CONVERTER - TWO PIECE HOUSING REAR HOUSING

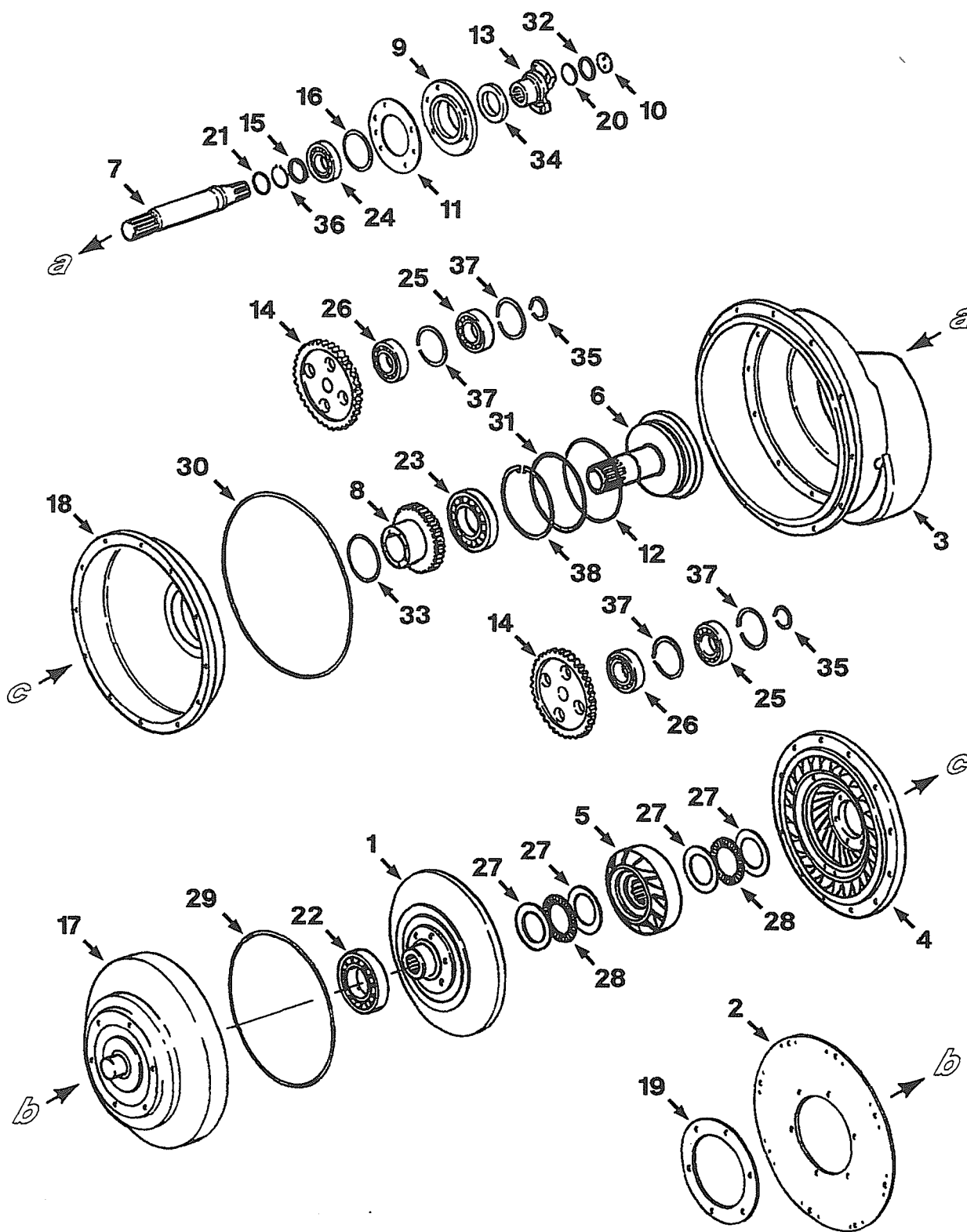
Item	Part Number	Description	Qty.	Ref.
	1260 469 H91	HOUSING ASSY, REAR	1	F1
1	619 956 C1	.GASKET, HUB	1	F2
2	619 964 C1	.HUB, GROUND SLEEVE	1	
3	ST 205 A	.BEARING, BALL	4	
4	619 955 C1	.GEAR, SPUR	2	
5	625 062 C1	.RING, SEAL	1	F2
6	625 916 C1	.RING, RETAINING	2	
7	659 380 R1	.RING, RETAINING	2	
8	619 967 C1	.HOUSING, REAR	1	
9	619 958 C1	.HUB, RETAINER	1	
10	619 957 C1	.GASKET, HUB	1	F2

F1 - PART NUMBER IS A NON-SERVICE PART AND IS LISTED FOR REFERENCE ONLY.
ORDER INDIVIDUAL PIECE PARTS.

F2 - PART OF TORQUE CONVERTER SEAL KIT 625 879 C93.

DRIVE TRAIN

TORQUE CONVERTER - ONE PIECE HOUSING COMPLETE ASSEMBLY



C07AZ233

DRIVE TRAIN

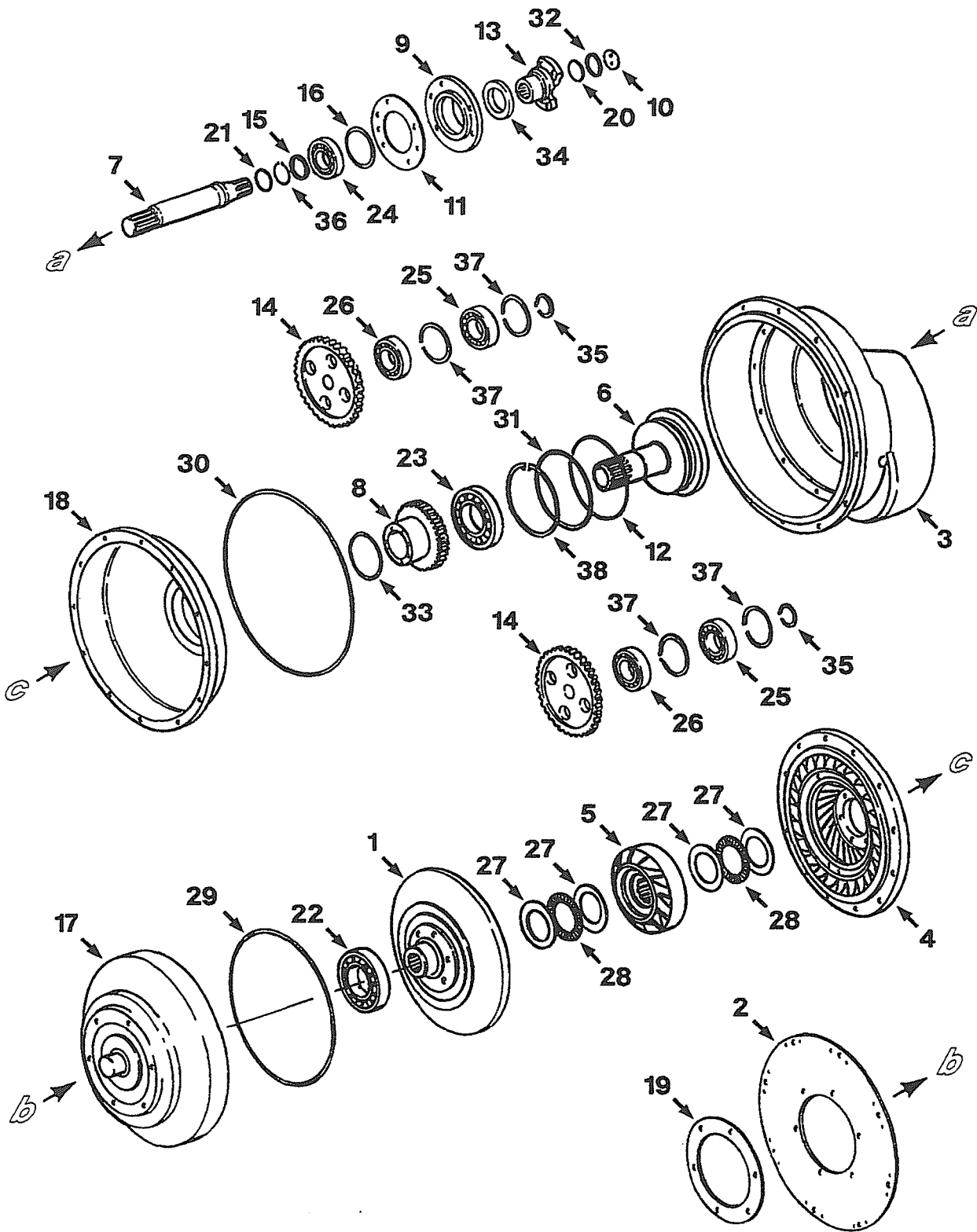
TORQUE CONVERTER - ONE PIECE HOUSING COMPLETE ASSEMBLY

Item	Part Number	Description	Qty.	Ref.
	1311 100 H91	CONVERTER ASSY, TORQUE	1	F1
1	1311 155 H1	.TURBINE	1	
2	1311 156 H1	.DISC, COUPLING	1	
3	1311 154 H1	.HOUSING, ONE PIECE	1	
4	1311 242 H1	.IMPELLER	1	
	1311 226 H1	.BOLT, HEX	12	
	1311 225 H1	.WASHER, FLAT	12	
5	1311 243 H1	.STATOR	1	
6	1311 159 H1	.HUB, STATOR	1	
	30 022 R1	.BOLT, HEX - M10x35	6	
	933 965 R1	.WASHER, LOCK - M10	6	
7	1311 160 H1	.SHAFT, OUTPUT	1	
8	1311 161 H1	.GEAR, DRIVE	1	
9	1311 162 H1	.COVER, HUB	1	
	30 003 R1	.BOLT, HEX - M8x25	6	} OPTIONAL
	01010-80825	.BOLT, HEX - M8x25	6	
	120 214	.WASHER, LOCK - 5/16	6	
10	1311 163 H1	.RETAINER, YOKE	1	
	30 002 R1	.BOLT, HEX - M8x20	2	} OPTIONAL
	01010-80820	.BOLT, HEX - M8x20	2	
	120 214	.WASHER, LOCK - 5/16	2	
11	1311 164 H1	.GASKET, RETAINER	1	
12	1311 165 H1	.RING, SEAL	1	
13	1311 244 H1	.YOKE, OUTPUT	1	
14	1311 167 H1	.GEAR, PUMP DRIVE	2	
15	1311 168 H1	.RING, RETAINING	1	
16	1311 169 H1	.SHIM, COVER	AR	
17	1311 170 H1	.HOUSING, DRIVE	1	
	30 005 R1	.BOLT, HEX - M8x35	24	} OPTIONAL
	01010-80835	.BOLT, HEX - M8x35	24	
	120 214	.WASHER, LOCK - 5/16	24	
18	1311 171 H1	.ENCLOSURE, INTERNAL	1	
	30 002 R1	.BOLT, HEX - M8x20	12	} OPTIONAL
	01010-80820	.BOLT, HEX - M8x20	12	
	120 214	.WASHER, LOCK - 5/16	12	
19	1311 172 H1	.PLATE, LOCK	1	

CONTINUED ON NEXT PAGE

DRIVE TRAIN

TORQUE CONVERTER - ONE PIECE HOUSING COMPLETE ASSEMBLY



C07AZ233

DRIVE TRAIN

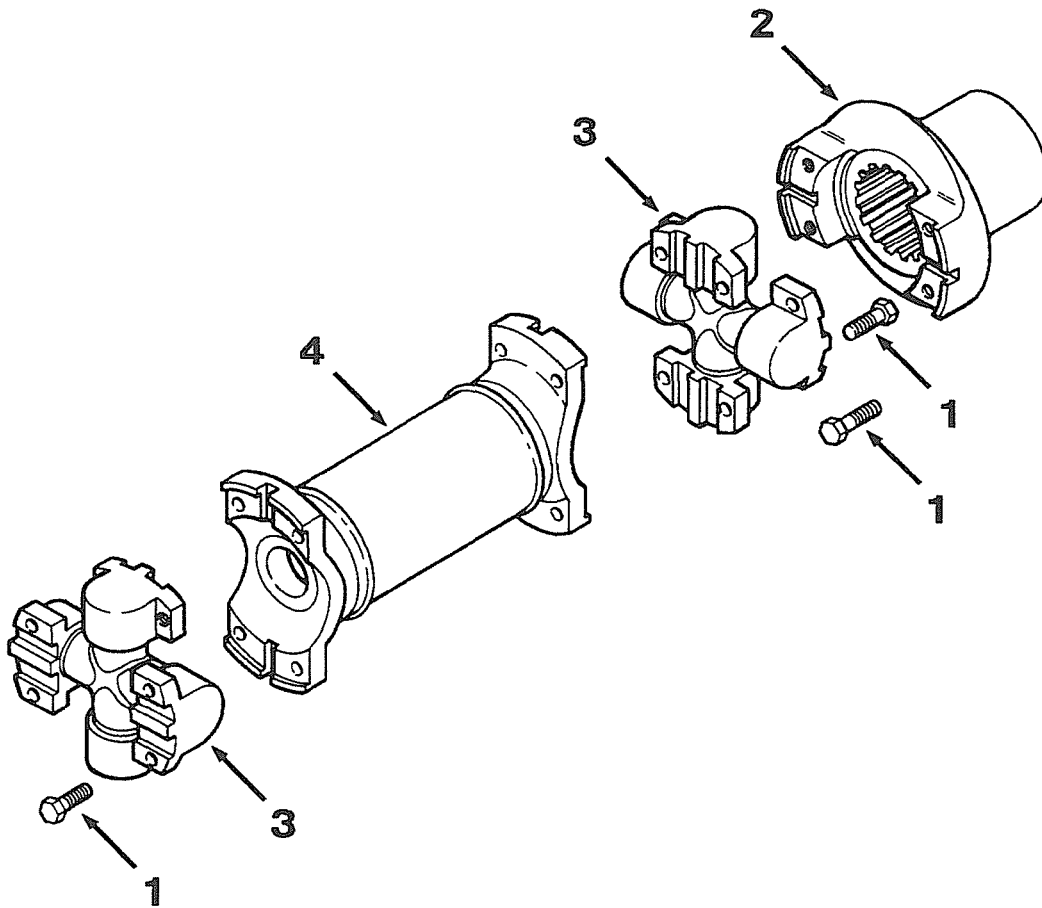
TORQUE CONVERTER - ONE PIECE HOUSING COMPLETE ASSEMBLY

Item	Part Number	Description	Qty.	Ref.
	30 019 R1	.BOLT, HEX - M10x20	6	
20	1311 173 H1	.RING, THRUST	1	
21	1311 174 H1	.RING, SEAL	1	
22	ST 265	.BEARING, BALL	1	
23	205 368 R91	.BEARING, BALL	1	
24	ST 235	.BEARING, BALL	1	
25	ST 205 A	.BEARING, BALL	2	
26	1311 237 H1	.BEARING, ROLLER	2	
	1311 236 H1	.BEARING, THRUST ROLLER	2	
27	NSS	.WASHER, THRUST	2	
28	NSS	.BEARING, THRUST	4	
29	1311 235 H1	.RING, SEAL	1	
30	1311 234 H1	.RING, SEAL	1	
31	07000-A2125	.RING, SEAL	1	
32	1311 233 H1	.RING, SEAL	1	
33	1311 232 H1	.SEAL, OIL	1	
34	1311 231 H1	.SEAL, OIL	1	
35	933 029 R1	.RING, RETAINING	2	} OPTIONAL
35	04064-03515	.RING, RETAINING	2	
36	933 075 R1	.RING, RETAINING	1	} OPTIONAL
36	04064-04018	.RING, RETAINING	1	
37	933 076 R1	.RING, RETAINING	4	} OPTIONAL
37	04064-07225	.RING, RETAINING	4	
38	933 077 R1	.RING, RETAINING	1	} OPTIONAL
38	04064-09030	.RING, RETAINING	1	

F1 - OPTIONAL WITH TWO PIECE HOUSING CONVERTER 1277 088 H91.

DRIVE TRAIN

DRIVE SHAFT



C07ER004

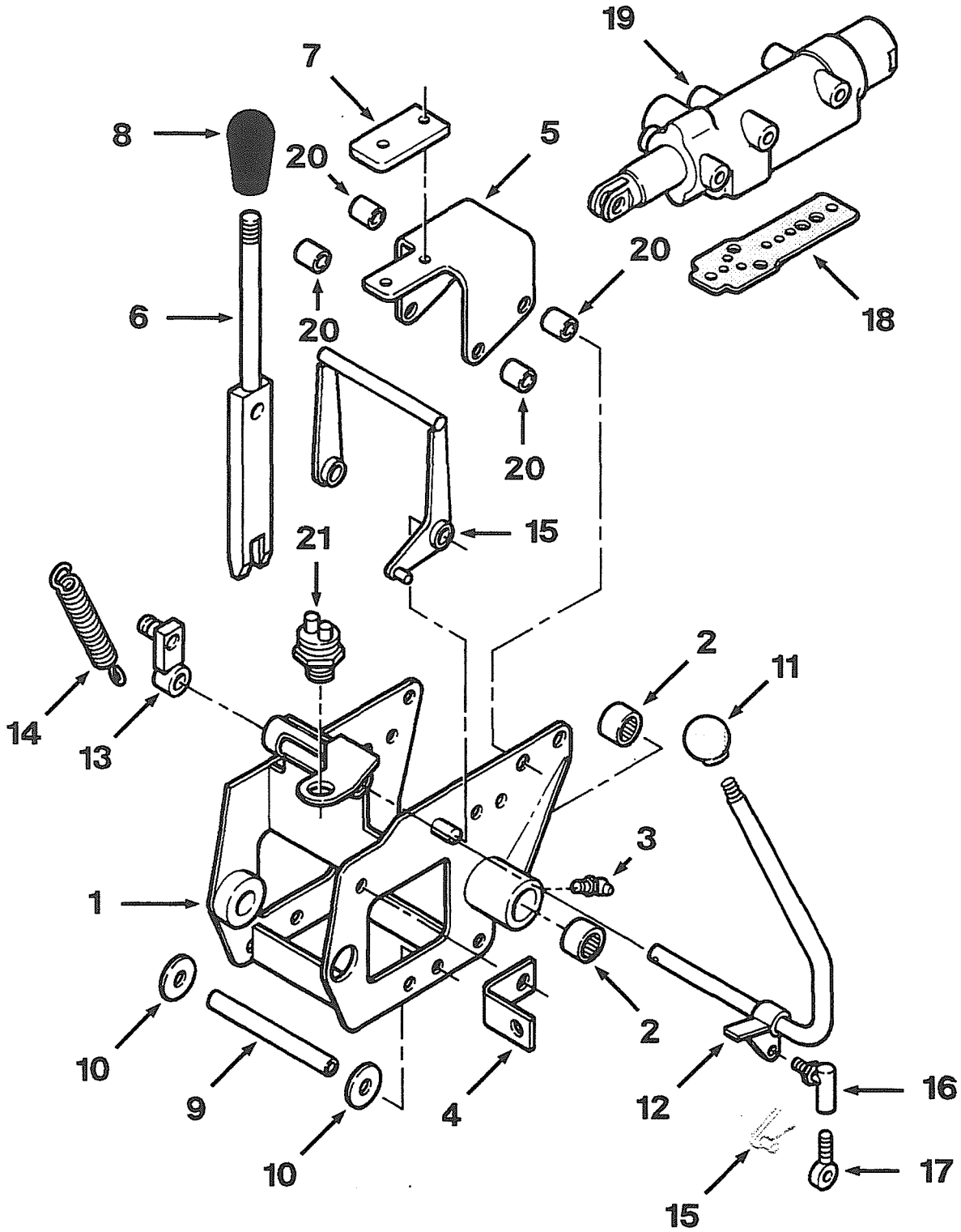
DRIVE TRAIN

DRIVE SHAFT

Item	Part Number	Description	Qty.	Ref.
	1277 976 H91	SHAFT ASSY, DRIVE	1	
1	25 705 R1	.BOLT, HEX - 3/8NFx1-3/4	16	
2	1277 975 H1	.YOKE, TRANSMISSION	1	
3	1266 235 H91	.SPIDER AND BEARING	2	
	NSS	..U-JOINT	1	
	25 705 R1	..BOLT, HEX - 3/8NFx1-3/4	8	
4	NSS	.SHAFT, DRIVE	1	

DRIVE TRAIN

TRANSMISSION CONTROLS



C07ED000

DRIVE TRAIN

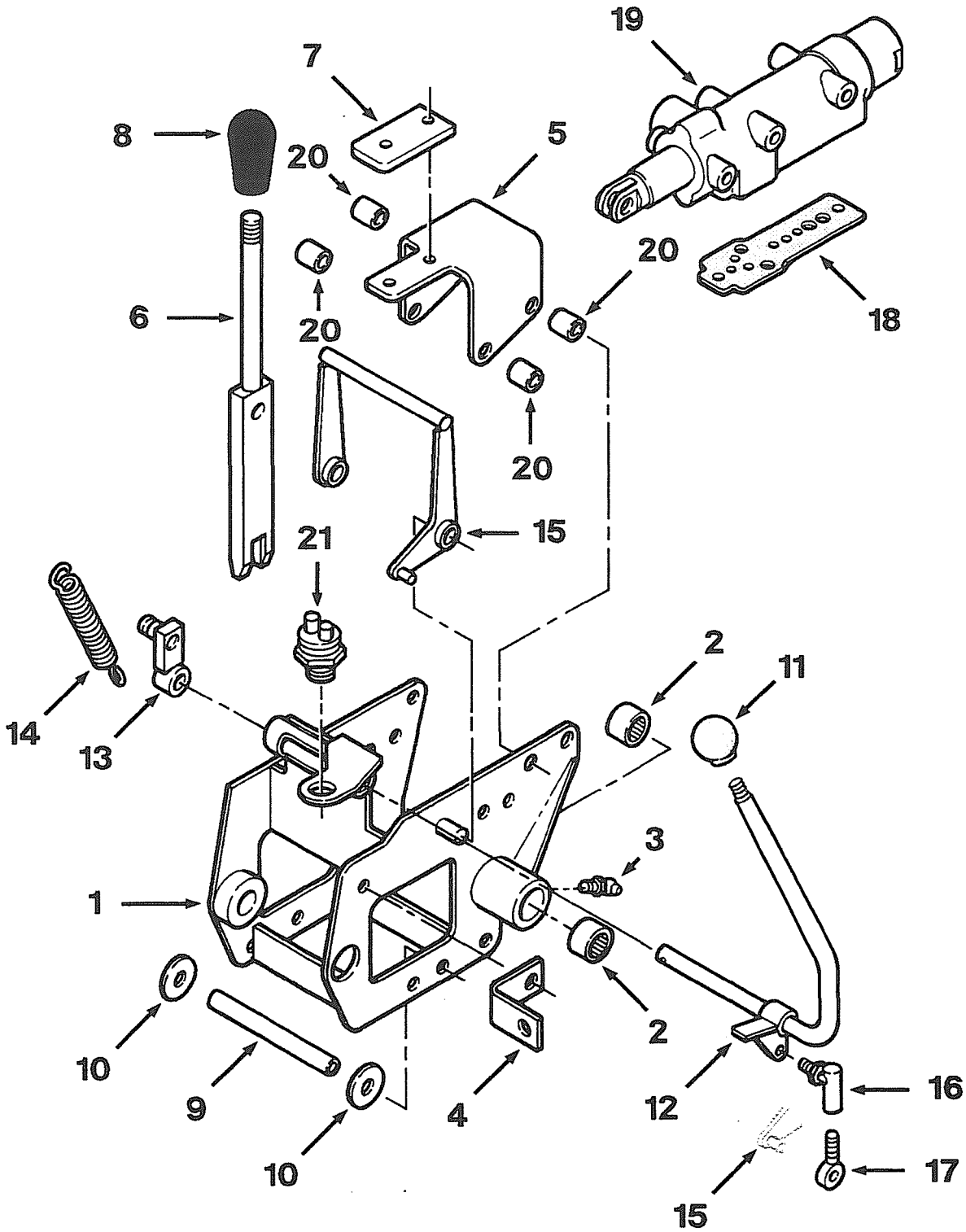
TRANSMISSION CONTROLS

Item	Part Number	Description	Qty.	Ref.
	1280 820 H91	HOUSING ASSY, CONTROLS	1	
1	NSS	.HOUSING, CONTROL	1	
2	740 465 C91	.BEARING, SEALED	2	} OPTIONAL
2	740 466 C91	.BEARING, SEALED	2	
3	126 152	.FITTING, LUBE - 45°	1	
	24 840 R1	BOLT, HEX - 3/8NCx1	2	
	25 544 R1	WASHER, FLAT - 3/8	2	
4	1262 524 H1	BRACKET, MOUNTING	1	
	24 840 R1	BOLT, HEX - 3/8NCx1	2	
	25 544 R1	WASHER, FLAT - 3/8	2	
	25 522 R1	NUT, HEX - 3/8NC	2	
5	1283 323 H91	GUIDE, TRANSMISSION LEVER	1	
6	1262 307 H91	LEVER, TRANSMISSION CONTROL	1	
	27 128 H	PIN, ROD END	1	
	52 917 R1	WASHER, FLAT.	1	
	103 384	PIN, COTTER - 1/8x3/4	1	
7	1283 325 H1	BLOCK, GUIDE	1	
	25 222 R1	BOLT, HEX - 1/4NCx3/4	2	
	25 542 R1	WASHER, FLAT - 1/4	2	
8	1236 009 H1	KNOB, LEVER	1	
9	617 112 C1	SHAFT, MOUNTING	1	
	24 839 R1	BOLT, HEX - 3/8NCx3/4	1	
	25 534 R1	WASHER, FLAT - 3/8	1	
10	1283 324 H1	WASHER, THRUST	2	
11	307 839 R1	KNOB, LEVER	1	
12	1300 759 H91	LEVER, SAFETY	1	
13	1262 303 H91	LEVER, SPRING ANCHORED	1	
	364 436 R1	PIN, ROLL - 3/6x1	1	
14	346 019 R1	SPRING, RETURN	1	
15	1262 508 H91	BAIL, SAFETY LEVER	1	
	25 546 R1	WASHER, FLAT - 1/2	1	
	103 384	PIN, COTTER - 1/8x3/4	1	
16	281 800 C92	JOINT, BALL	1	
	103 361	PIN, COTTER - 1/16x1/2	1	
17	1278 146 H91	EYE, ROD END	1	
	103 361	PIN, COTTER - 1/16x1/2	1	

CONTINUED ON NEXT PAGE

DRIVE TRAIN

TRANSMISSION CONTROLS



C07ED000

DRIVE TRAIN

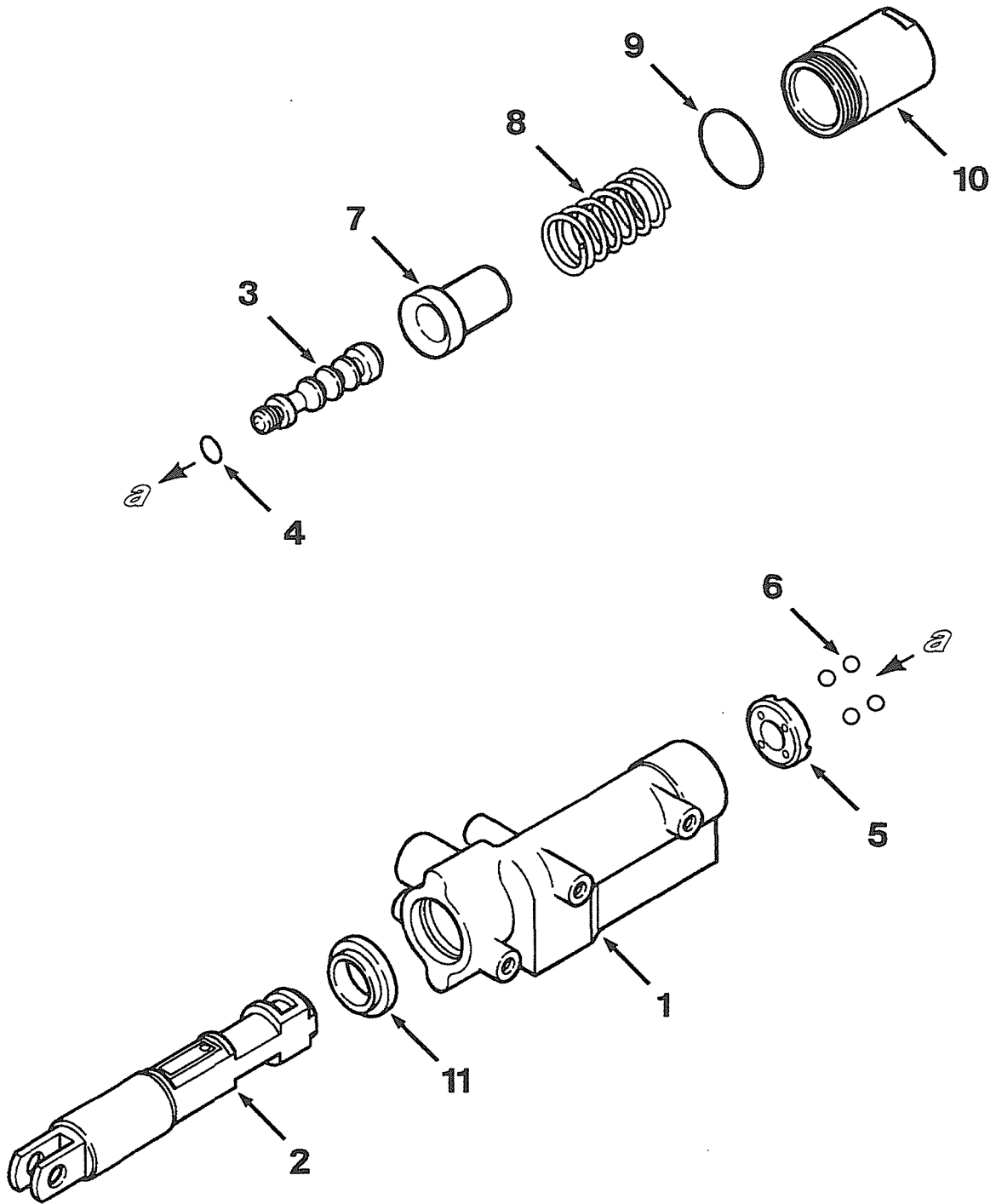
TRANSMISSION CONTROLS

Item	Part Number	Description	Qty.	Ref.
	25 903 R1	NUT, JAM - 1/4NF	1	
18	666 154 C3	GASKET, PILOT VALVE	1	F2
19		VALVE, PILOT (SEE PG 07-040)	1	
	26 312 R1	BOLT, HEX - 3/8NCx1-1/2	4	
	25 544 R1	WASHER, FLAT - 3/8	4	
	632 287 C1	BOLT, MANIFOLD MOUNTING - 12 POINT	5	
20	567 987 R1	SPACER, MOUNTING	4	
21		SWITCH, START (SEE PG 08-002 OR 010)	1	

F1 - PART OF TRANSMISSION SERVICE KIT 741 453 C93.

DRIVE TRAIN

PILOT CONTROL VALVE



C07ED007

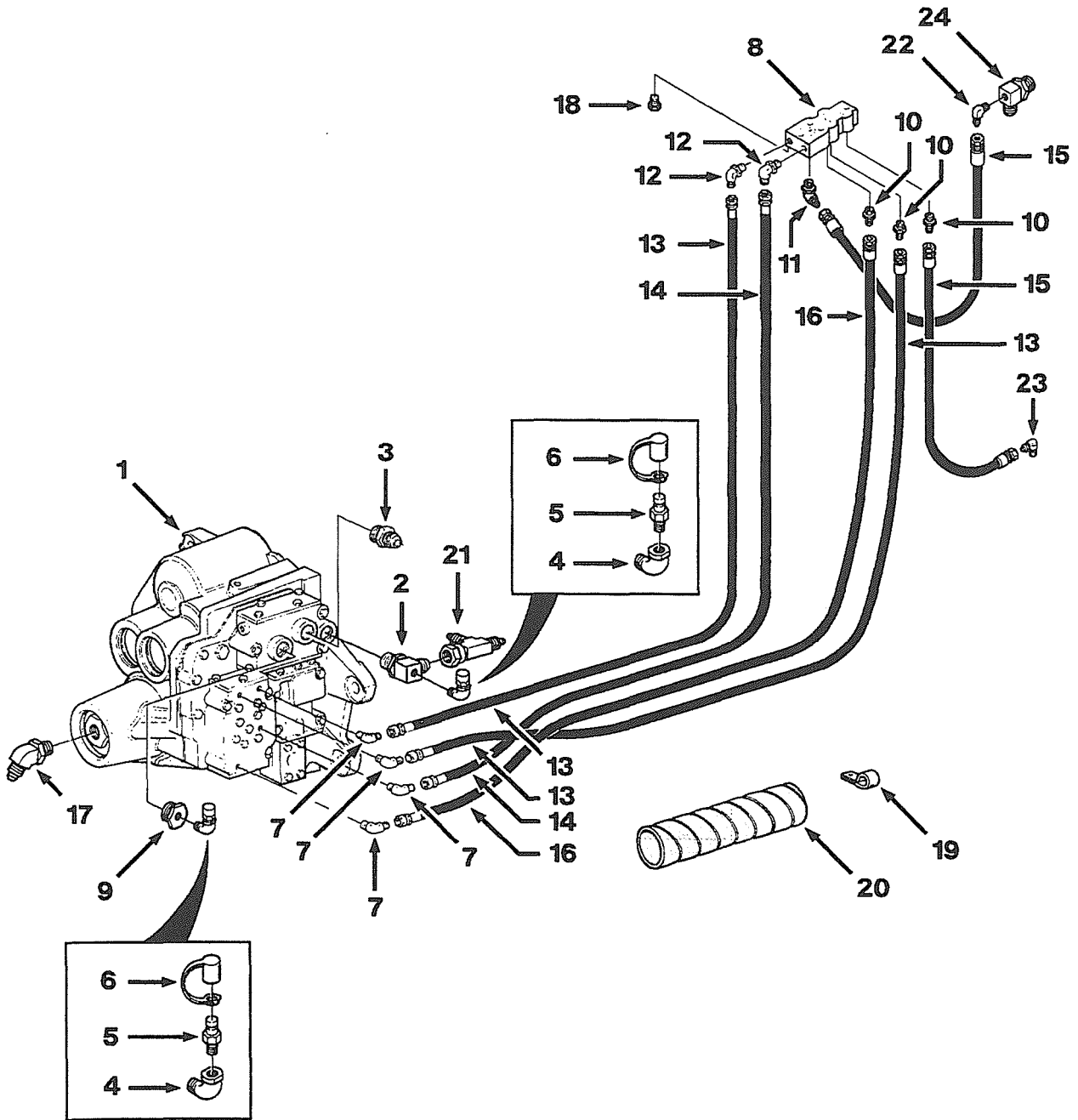
DRIVE TRAIN

PILOT CONTROL VALVE

Item	Part Number	Description	Qty.	Ref.
	666 151 C95	VALVE ASSY, PILOT CONTROL	1	
1	NSS	.HOUSING, VALVE	1	
2	NSS	.SPOOL, VALVE	1	
3	1270 948 H1	.CAM, DETENT	1	
4	369 751 R1	.O-RING	1	
5	1270 945 H1	.RETAINER, BALL	1	
6	17 013 R1	.BALL, DETENT	4	
7	1270 946 H1	.SLEEVE, DETENT	1	
8	659 017 C1	.SPRING, DETENT	1	
9	307 915 R1	.O-RING	1	
10	622 332 C3	.HOUSING, DETENT	1	
11	1269 756 H1	.SEAL, SPOOL WIPER	1	

DRIVE TRAIN

TRANSMISSION COMPLETE ASSEMBLY



C07CR013

DRIVE TRAIN

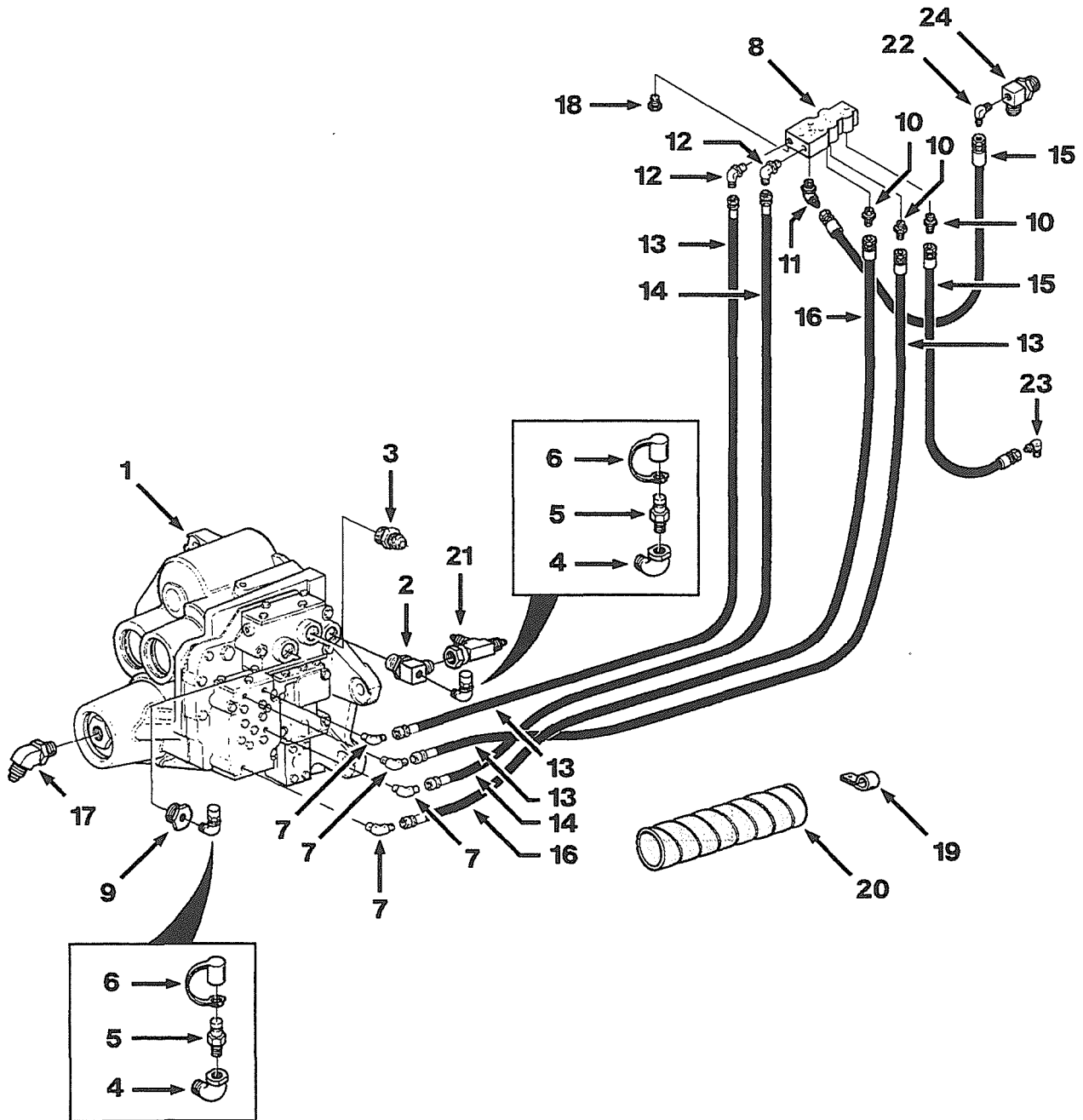
TRANSMISSION COMPLETE ASSEMBLY

Item	Part Number	Description	Qty.	Ref.
	1280 199 H92	TRANSMISSION ASSY, COMPLETE	1	
1		.TRANSMISSION WITH VALVES (SEE PG 07-046)	1	
2	708 417 C1	.ELBOW, 90° - M PORT	1	
	296 247 R1	.RING, SEAL	1	F1
3	380 633 R1	.CONNECTOR - C PORT	1	
	296 247 R1	.RING, SEAL	1	F1
4	105 422	.ELBOW, 90°	2	
5	161 849	.QUICK DISCONNECT	2	
6	162 144	.CAP, DUST	2	
7	585 694 R1	.ELBOW, 90°	4	
8	666 153 C2	.MANIFOLD, PILOT VALVE	1	
9	667 958 C1	.CONNECTOR - L PORT	1	
	296 247 R1	.RING, SEAL	1	F1
10	9410 202	.CONNECTOR - 1, 2 AND D PORTS	3	
	364 839 R1	.RING, SEAL	3	F1
11	9411 104	.ELBOW, 45° - M PORT	1	
	364 839 R1	.RING, SEAL	1	F1
12	9410 976	.ELBOW, 90° - F AND R PORTS	2	
	364 839 R1	.RING, SEAL	2	F1
13	662 014 C1	.HOSE, R OR 2ND	2	
14	336 081 R91	.HOSE, F	1	
15	346 944 R91	.HOSE, M OR D	2	
16	717 130 C1	.HOSE, 1ST	1	
17	9411 107	.ELBOW, 45°	1	
	368 269 R1	.RING, SEAL	1	F1
18	444 613	.PLUG, PIPE	1	
19	27 843 R1	CLAMP, HOSE	1	
20		SLEEVE, PROTECTIVE - 24 IN LONG	1	F2
21		TEE, SUPPLY (SEE PG 07-004)	1	
22		ELBOW, AT FILTER (SEE PG 07-004)	1	
23		ELBOW, DRAIN (SEE PG 07-012 OR 07-014)	1	
24		ELBOW, FILTER OUTLET (SEE PG 07-004)	1	
	160 927	SLEEVE, BULK PROTECTIVE	AR	
	741 453 C93	KIT, TRANSMISSION SERVICE	1	
	659 910 C1	.SEAL PISTON	5	
	659 913 C1	.RING, SEAL	5	

CONTINUED ON NEXT PAGE

DRIVE TRAIN

TRANSMISSION COMPLETE ASSEMBLY



C07CR013

DRIVE TRAIN

TRANSMISSION COMPLETE ASSEMBLY

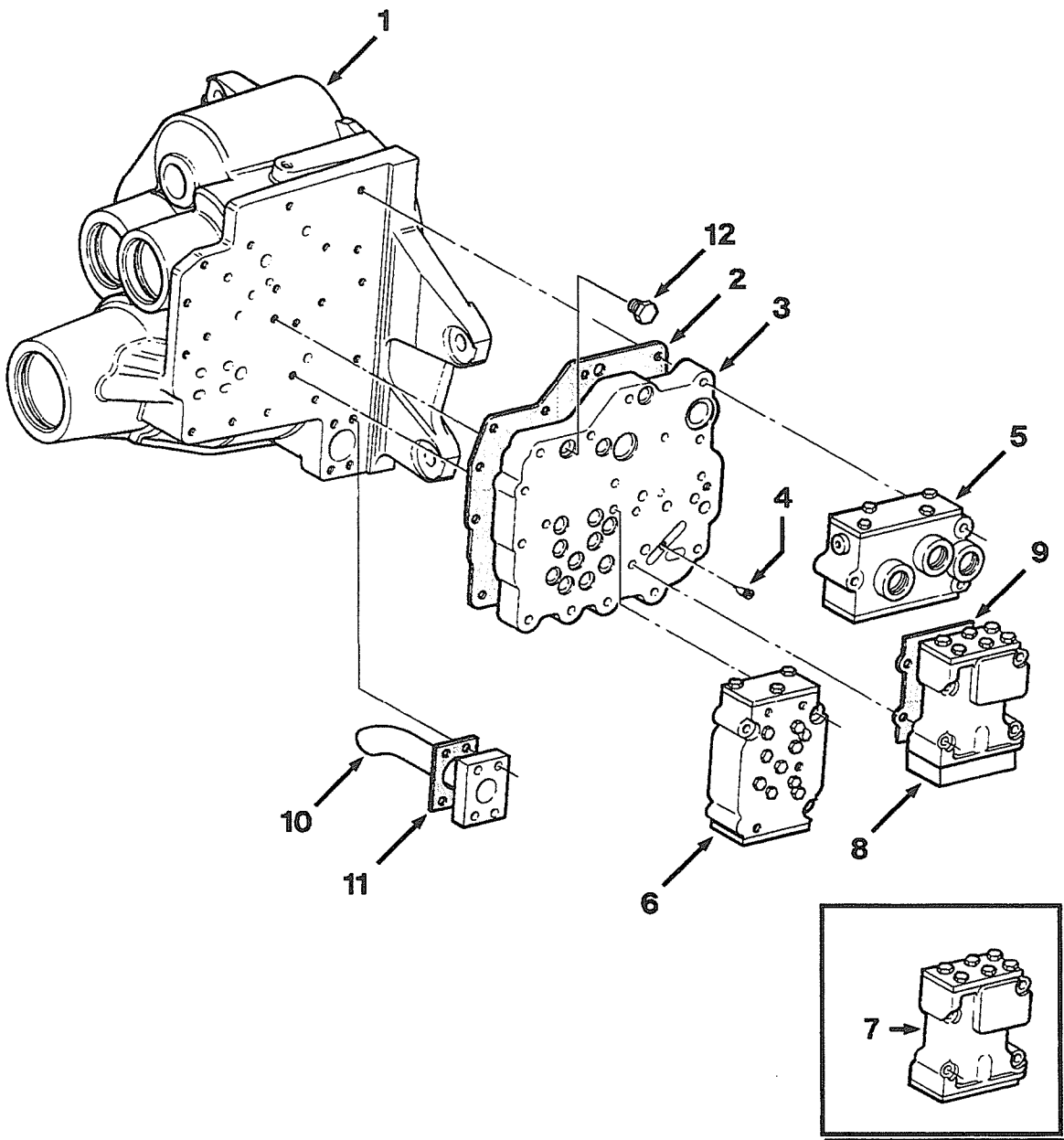
Item	Part Number	Description	Qty.	Ref.
	709 631 C1	.SEAL, PISTON	4	
	709 632 C1	.RING SEAL	4	
	659 720 C1	.SEAL, PISTON	1	
	659 726 C1	.RING, SEAL	1	
	716 841 C1	.RING, SEAL	4	} OPTIONAL
	327 090 R3	.RING, SEAL	4	
	716 840 C1	.RING, SEAL	4	} OPTIONAL
	716 747 C1	.RING, SEAL	4	
	22 410 R1	.RING, SEAL - COUNTERSHAFT COVER	1	
	707 253 R1	.RING, SEAL - REVERSE IDLER SHAFT	1	
	21 924 R1	.RING, SEAL - OUTPUT SHAFT	2	
	301 016 R1	.RING, SEAL - ADAPTER FITTING	1	
	372 821 R1	.RING, SEAL - REG VALVE LARGE	2	
	252 707 R1	.RING, SEAL - REG SMALL AND SELECTOR VALVE	12	
	364 839 R1	.RING, SEAL - FITTING	7	
	296 247 R1	.RING, SEAL - FITTING	3	
	368 269 R1	.RING, SEAL - LUBE ELBOW	1	
	936 658 C1	.RING, SEAL - TRANSMISSION CASE	1	
	705 495 C1	.SHIM, DIR. CLUTCH AND COUNTERSHAFT - 0.005 IN	8	
	705 496 C1	.SHIM, DIR. CLUTCH AND COUNTERSHAFT - 0.007 IN	8	
	705 497 C1	.SHIM, DIR. CLUTCH AND COUNTERSHAFT - 0.030 IN	8	
	705 492 C1	.SHIM, RANGE CLUTCH - 0.005 IN	8	
	705 493 C1	.SHIM, RANGE CLUTCH - 0.007 IN	8	
	705 494 C1	.SHIM, RANGE CLUTCH - 0.030 IN	8	
	259 246 R1	.RING, SEAL - RANGE CLUTCH	1	
	621 156 C1	.SHIM, TRANS MOUNTING - 0.002 IN	4	
	621 157 C1	.SHIM, TRANS MOUNTING - 0.007 IN	4	
	621 158 C1	.SHIM, TRANS MOUNTING - 0.020 IN	8	
	716 912 C2	.GASKET, MANIFOLD	1	
	657 951 C3	.GASKET, RATE OF RISE VALVE	1	
	734 040 C2	.GASKET, SCAVENGE TUBE	1	
	666 154 C3	.GASKET, PILOT VALVE	1	

F1 - PART OF TRANSMISSION SERVICE KIT 741 453 C93.

F2 - CUT REQUIRED LENGTH FROM BULK PROTECTIVE SLEEVE 160 927.

DRIVE TRAIN

TRANSMISSION TRANSMISSION WITH VALVES



C07CR076

DRIVE TRAIN

TRANSMISSION TRANSMISSION WITH VALVES

Item	Part Number	Description	Qty.	Ref.
	635 988 C94	TRANSMISSION WITH VALVES	1	F1
1		.HOUSING AND INTERNAL PARTS (SEE PG 07-050)	1	
2	716 912 C2	.GASKET, MANIFOLD	1	F2
3	716 911 C1	.MANIFOLD, VALVE	1	
	24 843 R1	.BOLT, HEX - 3/8NCx2	3	
	24 841 R1	.BOLT, HEX - 3/8NCx1-1/2	8	
	25 534 R1	.WASHER, FLAT - 3/8	11	
4	738 058 C1	.STRAINER, ORIFICE	1	} OPTIONAL
4	738 444 C1	.STRAINER, ORIFICE	1	
5		.VALVE, PRESSURE REGULATOR (SEE PG 07-064)	1	
	24 845 R1	.BOLT, HEX - 3/8NCx4	3	
	25 534 R1	.WASHER, FLAT - 3/8	3	
	372 821 R1	.RING, SEAL - LARGE	2	F2
	252 707 R1	.RING, SEAL - SMALL	2	F2
6		.VALVE, RANGE SELECTOR (SEE PG 07-066)	1	
	25 501 R1	.BOLT, HEX - 3/8NCx3-3/4	3	
	25 534 R1	.WASHER, FLAT - 3/8	3	
	252 707 R1	.RING, SEAL	10	F2
7		.VALVE, RATE OF RISE (SEE PG 07-068)	1	F3
	25 501 R1	.BOLT, HEX - 3/8NCx3-3/4	3	
	275 804 R1	.BOLT, HEX - 3/8NCx3	1	
	25 534 R1	.WASHER, FLAT - 3/8	4	
8		.VALVE, RATE OF RISE (SEE PG 07-070)	1	F4
	25 501 R1	.BOLT, HEX - 3/8NCx3-3/4	3	
	275 804 R1	.BOLT, HEX - 3/8NCx3	1	
	25 534 R1	.WASHER, FLAT - 3/8	4	
9	657 951 C3	.GASKET, VALVE	1	F2
10	709 590 C1	.TUBE, SCAVENGE	1	
11	734 040 C2	.GASKET, SCAVENGE TUBE	1	F2
12	9410 358	.PLUG, PORT	1	
	364 839 R1	.RING, SEAL	1	F2

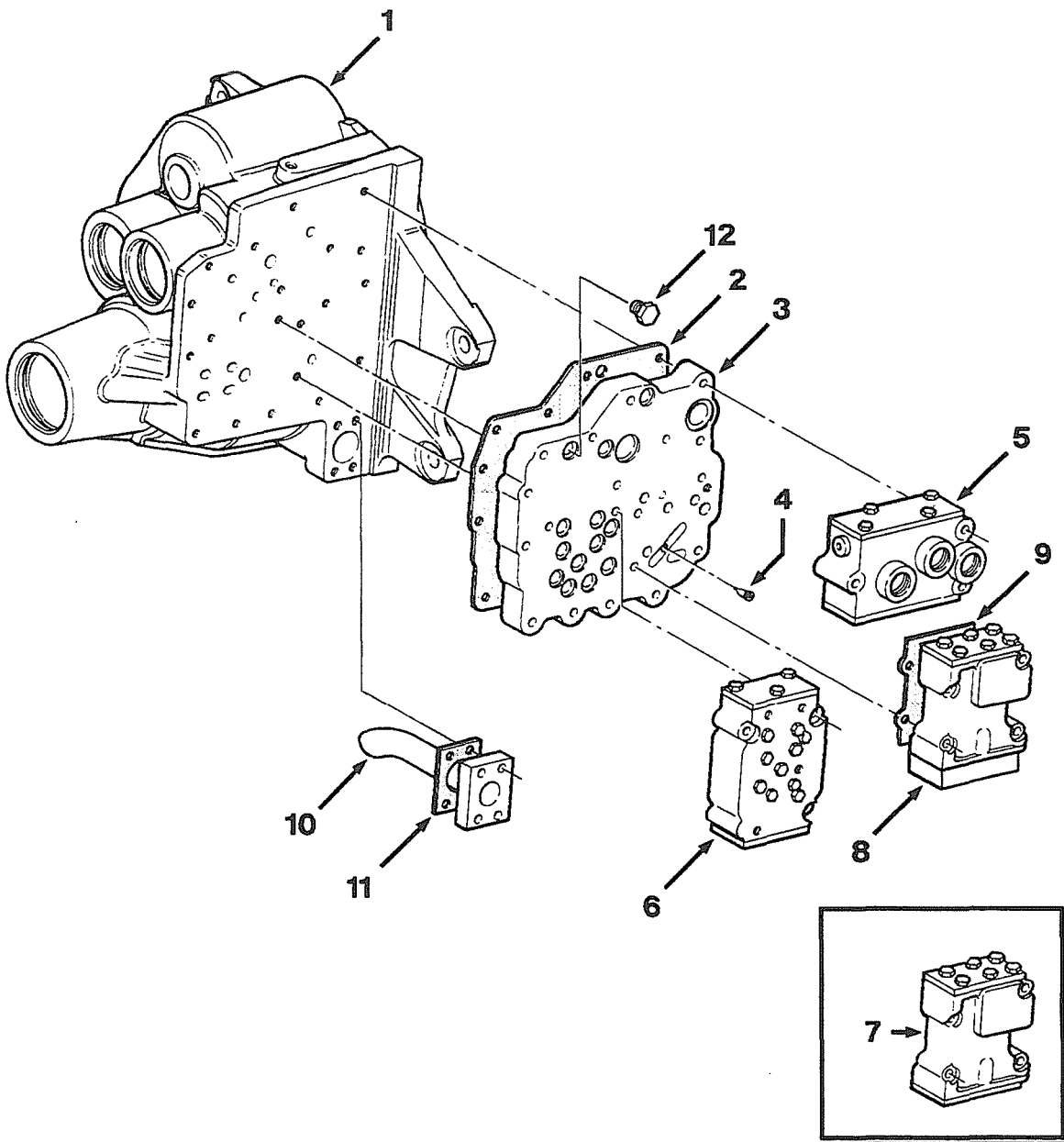
F1 - PART NUMBER IS A NON-SERVICE PART AND IS LISTED FOR REFERENCE ONLY.
ORDER INDIVIDUAL PIECE PARTS.

F2 - PART OF TRANSMISSION SERVICE KIT 741 453 C93.

CONTINUED ON NEXT PAGE

DRIVE TRAIN

TRANSMISSION TRANSMISSION WITH VALVES



C07CR076

DRIVE TRAIN

TRANSMISSION TRANSMISSION WITH VALVES

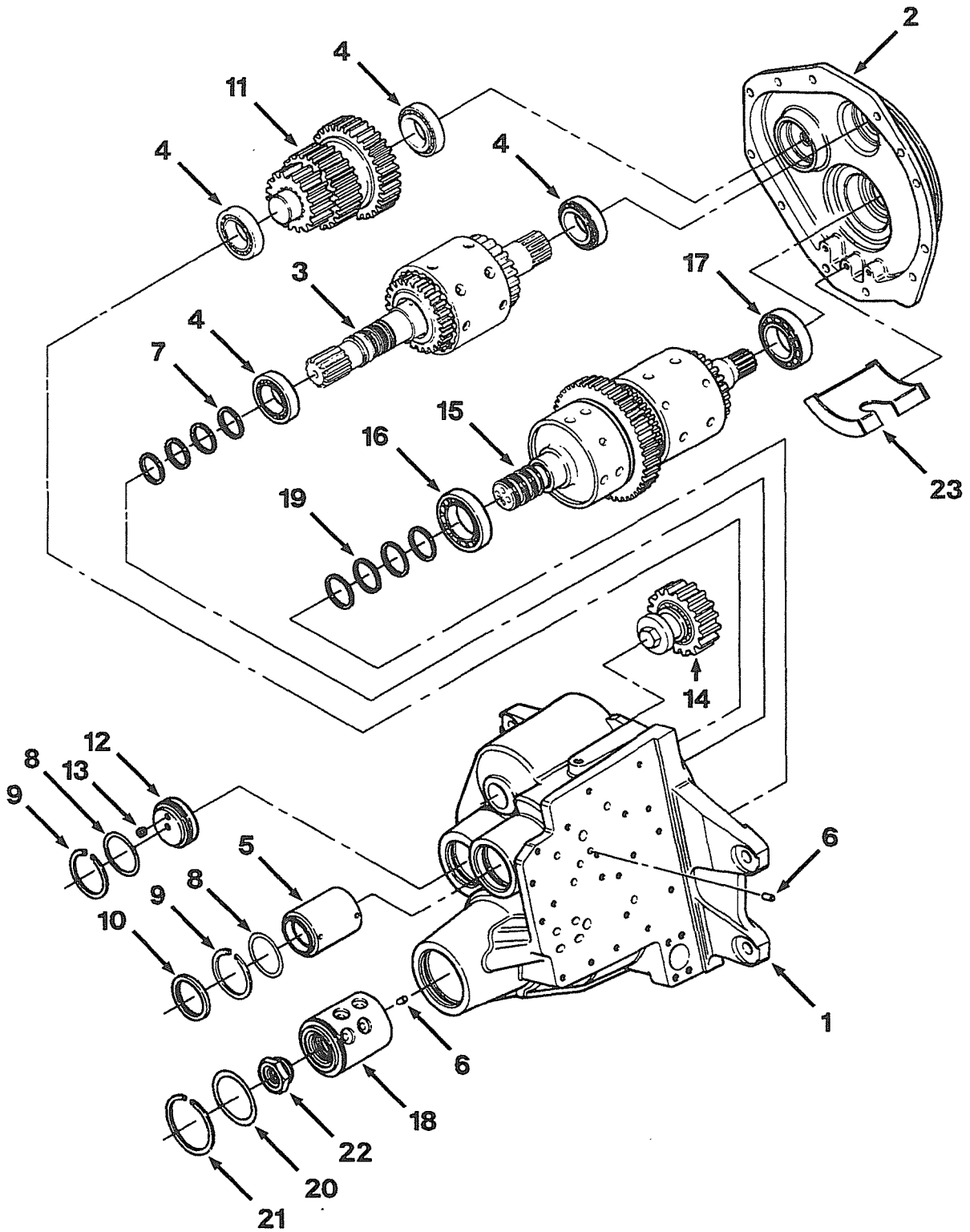
Item	Part Number	Description	Qty.	Ref.
------	-------------	-------------	------	------

F3 - VALVE CONTAINS END PLATES WITH SAME THICKNESS.

F4 - VALVE CONTAINS END PLATES WITH DIFFERENT THICKNESSES.

DRIVE TRAIN

TRANSMISSION HOUSING AND INTERNAL PARTS



C07DZ039

DRIVE TRAIN

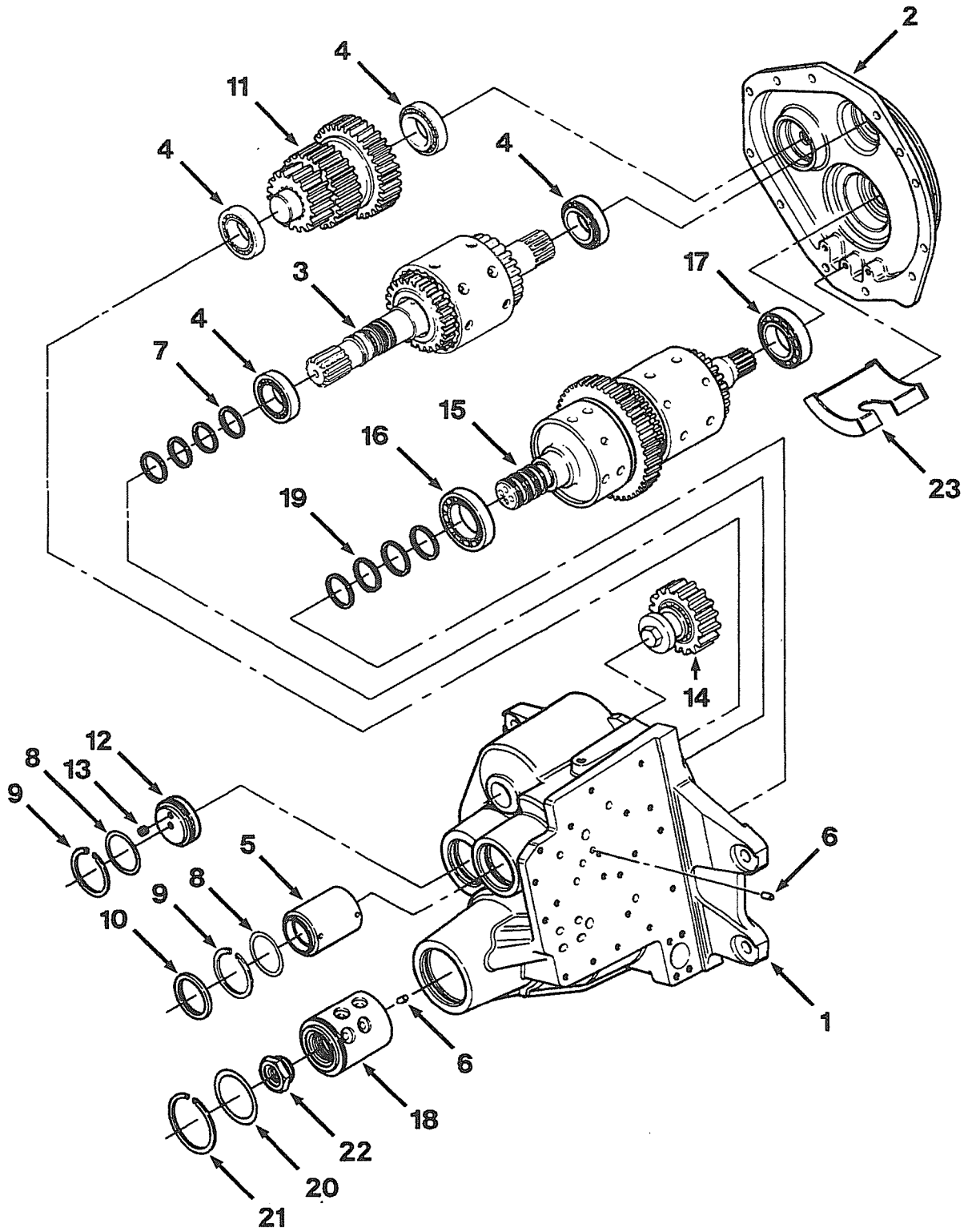
TRANSMISSION HOUSING AND INTERNAL PARTS

Item	Part Number	Description	Qty.	Ref.
	716 969 C93	HOUSING AND INTERNAL PARTS	1	F1
1	709 896 C91	.CASE ASSY, TRANSMISSION	1	
	19 904 R1	..PIN, DOWEL - 1/2x1	2	
2	709 589 C1	.COVER, REAR	1	
	24 861 R1	.BOLT, HEX - 1/2NCx1-1/4	12	
	25 546 R1	.WASHER, FLAT - 1/2	12	
3		.CLUTCH, DIRECTIONAL (SEE PG 07-054)	1	
4	1298 009 H91	.BEARING, TAPERED ROLLER	4	} OPTIONAL
4	631 169 C91	.BEARING, TAPERED ROLLER	4	
	631 170 C91	..CONE, BEARING	1	
	376 463 C1	..CUP, BEARING	1	
5	709 895 C1	.MANIFOLD, DIRECTIONAL CLUTCH	1	
6	20 040 R1	.PIN, DOWEL - 1/4x3/4	2	
7	716 841 C2	.SEAL, RING	4	F2
7	327 090 R3	.SEAL, RING	4	F2 } OPTIONAL
8	705 495 C1	.SHIM - 0.005 IN	AR	F2
	705 496 C1	.SHIM - 0.007 IN	AR	F2
	705 497 C1	.SHIM - 0.030 IN	AR	F2
9	28 099 R1	.RING, RETAINING	2	
10	619 586 C91	.SEAL, OIL	1	
11		.COUNTERSHAFT (SEE PG 07-056)	1	
12	705 055 C1	.COVER, COUNTERSHAFT	1	
	22 410 R1	.RING, SEAL	1	F2
13	444 661	.PLUG, PORT	2	
14		.GEAR, REVERSE IDLER (SEE PG 07-058)	1	
15		.CLUTCH, RANGE (SEE PG 07-060)	1	
16	1298 010 H91	.BEARING, TAPERED ROLLER	1	} OPTIONAL
16	654 422 C91	.BEARING, TAPERED ROLLER	1	
	630 694 C91	..CONE, BEARING	1	
	630 695 C1	..CUP, BEARING	1	
16	716 760 C91	.BEARING, TAPERED ROLLER	1	OPTIONAL
	716 761 C91	..CONE, BEARING	1	
	716 762 C1	..CUP, BEARING	1	
17	55 490 R91	.BEARING, TAPERED ROLLER	1	
	55 491 R91	..CONE, BEARING	1	
	55 492 R1	..CUP, BEARING	1	

CONTINUED ON NEXT PAGE

DRIVE TRAIN

TRANSMISSION HOUSING AND INTERNAL PARTS



C07DZ039

DRIVE TRAIN

TRANSMISSION HOUSING AND INTERNAL PARTS

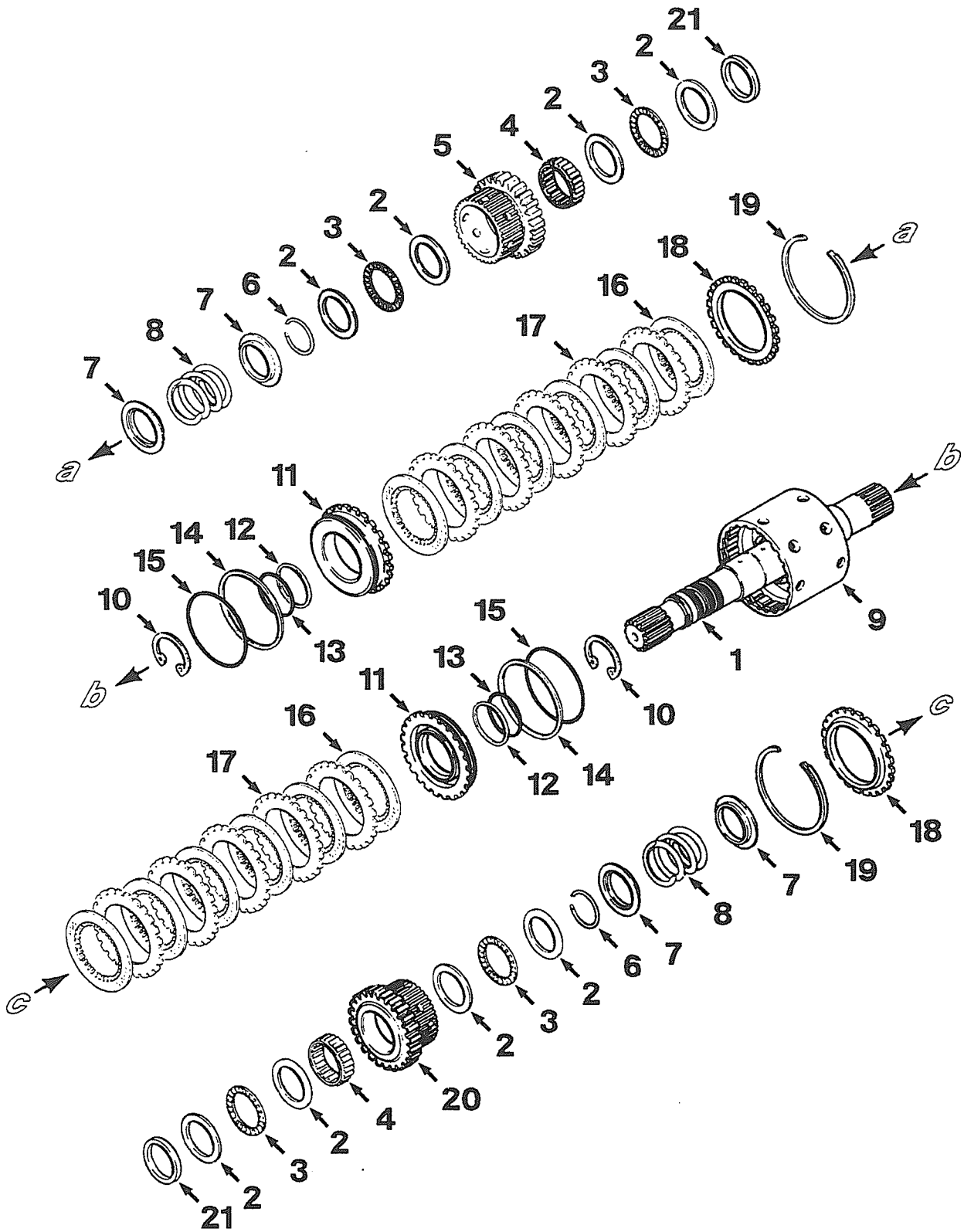
Item	Part Number	Description	Qty.	Ref.
18	705 499 C1	.MANIFOLD, RANGE CLUTCH	1	
	259 246 R1	.RING, SEAL	1	F2
19	716 840 C1	.RING, SEAL	4	F2
19	716 747 C1	.RING, SEAL	4	F2 } OPTIONAL
20	705 492 C1	.SHIM - 0.005 IN	AR	F2
	705 493 C1	.SHIM - 0.007 IN	AR	F2
	705 494 C1	.SHIM - 0.030 IN	AR	F2
21	28 101 R1	.RING, RETAINING	1	
22	716 979 C1	.FITTING, ADAPTER	1	
	301 016 R1	.RING, SEAL	1	F2
23	709 798 C1	.BAFFLE, SCAVENGE TUBE	1	
	26 309 R1	.BOLT, HEX - 3/8NCx3/4	3	
	25 534 R1	.WASHER, FLAT - 3/8	3	

F1 - PART NUMBER IS A NON-SERVICE PART AND IS LISTED FOR REFERENCE ONLY.
ORDER INDIVIDUAL PIECE PARTS.

F2 - PART OF TRANSMISSION SERVICE KIT 741 453 C93.

DRIVE TRAIN

TRANSMISSION DIRECTIONAL (INPUT) SHAFT



C07DD078

DRIVE TRAIN

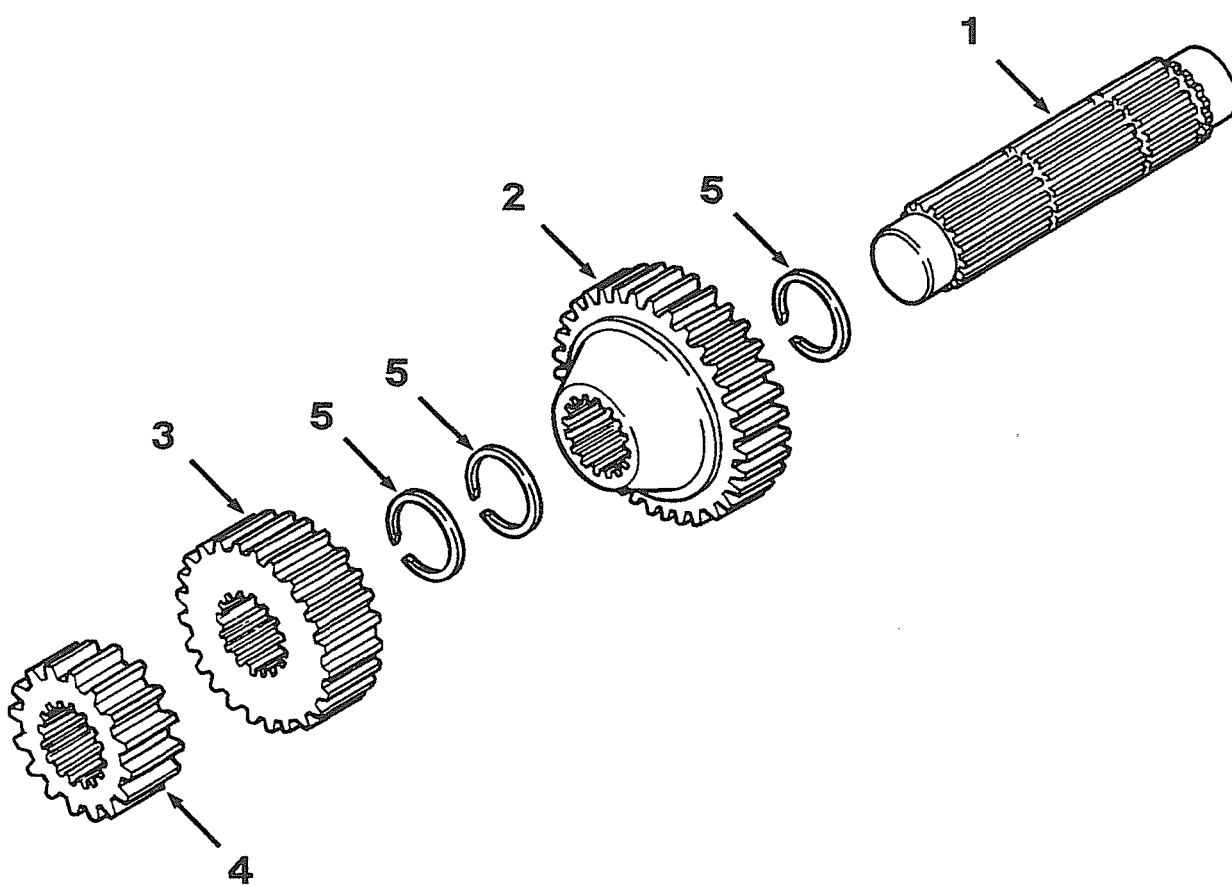
TRANSMISSION DIRECTIONAL (INPUT) SHAFT

Item	Part Number	Description	Qty.	Ref.
	716 833 C94	SHAFT ASSY, DIRECTIONAL	1	
1	709 601 C93	.SHAFT ASSY, INPUT	1	
	21 277 R1	..PIN, DOWEL - 7/16x1/2	3	
	212 012 H1	..PIN, ROLL - 5/64x3/8	1	
	28 265 R1	..PIN, ROLL - 1/8x3/8	1	
2	659 907 C1	.RACE, THRUST	8	
3	374 011 R91	.BEARING, THRUST	4	
4	610 766 C91	.BEARING, NEEDLE	2	
5	709 789 C1	.GEAR AND HUB, FORWARD	1	
6	632 341 C1	.RING, RETAINING	2	
7	1212 820 C1	.RETAINER, SPRING	4	
8	1212 816 C1	.SPRING, RETURN	2	
9	741 778 C3	.KIT, HUB AND DRUM	1	
10	366 694 C1	.RING, RETAINING	2	
11	709 837 C1	.PISTON, CLUTCH	2	
12	659 910 C1	.SEAL, PISTON - INNER	2	F1
13	659 913 C1	.RING, SEAL	2	F1
14	709 631 C1	.SEAL, PISTON - OUTER	2	F1
15	709 632 C1	.RING, SEAL	2	F1
16	709 777 C2	.DISC, FRICTION	12	
17	716 719 C1	.PLATE, SEPARATOR	10	
18	1286 827 H1	.PLATE, SUPPORT	2	
19	1228 459 H2	.RING, RETAINING - CAPTURED	2	
20	709 790 C1	.GEAR AND HUB, REVERSE	1	
21	716 907 C1	.SPACER, BEARING	2	

F1 - PART OF TRANSMISSION SERVICE KIT 741 453 C93.

DRIVE TRAIN

TRANSMISSION COUNTERSHAFT



C07DH019

DRIVE TRAIN

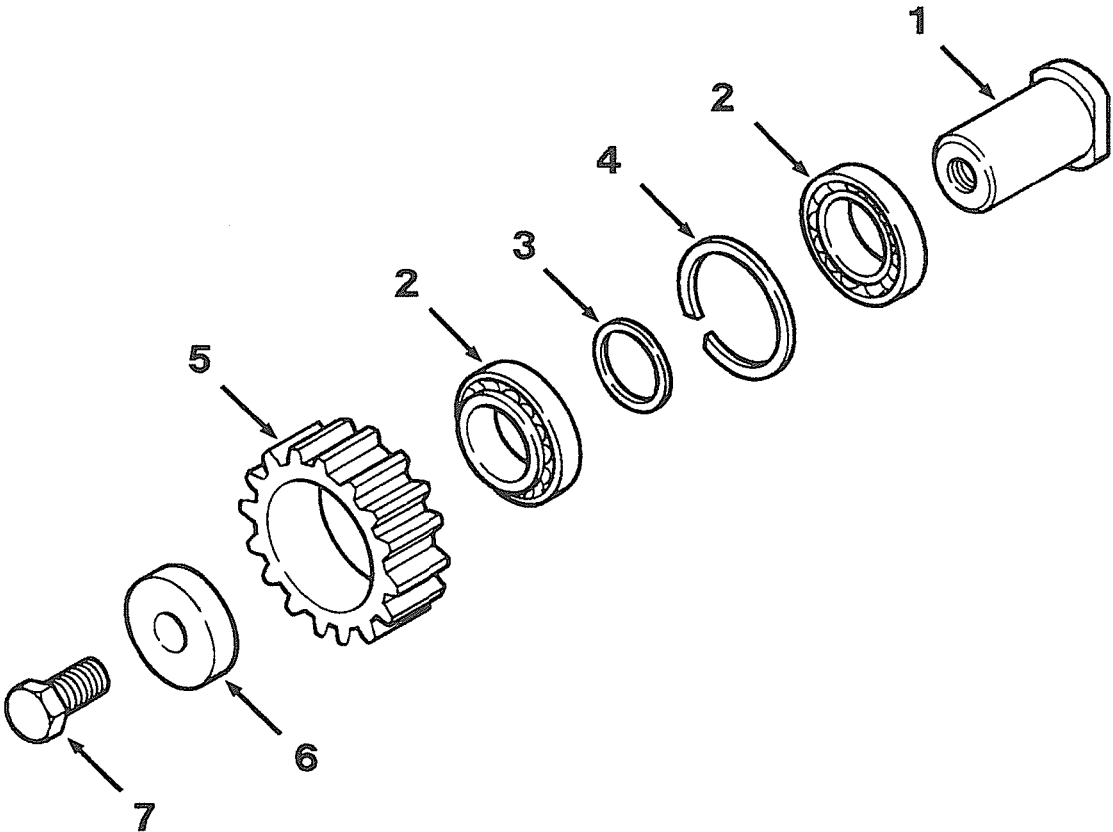
TRANSMISSION COUNTERSHAFT

Item	Part Number	Description	Qty.	Ref.
	716 832 C91	COUNTERSHAFT	1	F1
1	709 577 C1	.SHAFT, COUNTER	1	
2	709 575 C1	.GEAR, 3RD SPEED	1	
3	709 576 C1	.GEAR, 2ND SPEED	1	
4	709 579 C1	.GEAR, 1ST SPEED	1	
5	324 051 R1	.RING, RETAINING	3	

F1 - PART NUMBER IS A NON-SERVICE PART AND IS LISTED FOR REFERENCE ONLY.
ORDER INDIVIDUAL PIECE PARTS.

DRIVE TRAIN

TRANSMISSION
REVERSE IDLER GEAR



C07DM012

DRIVE TRAIN

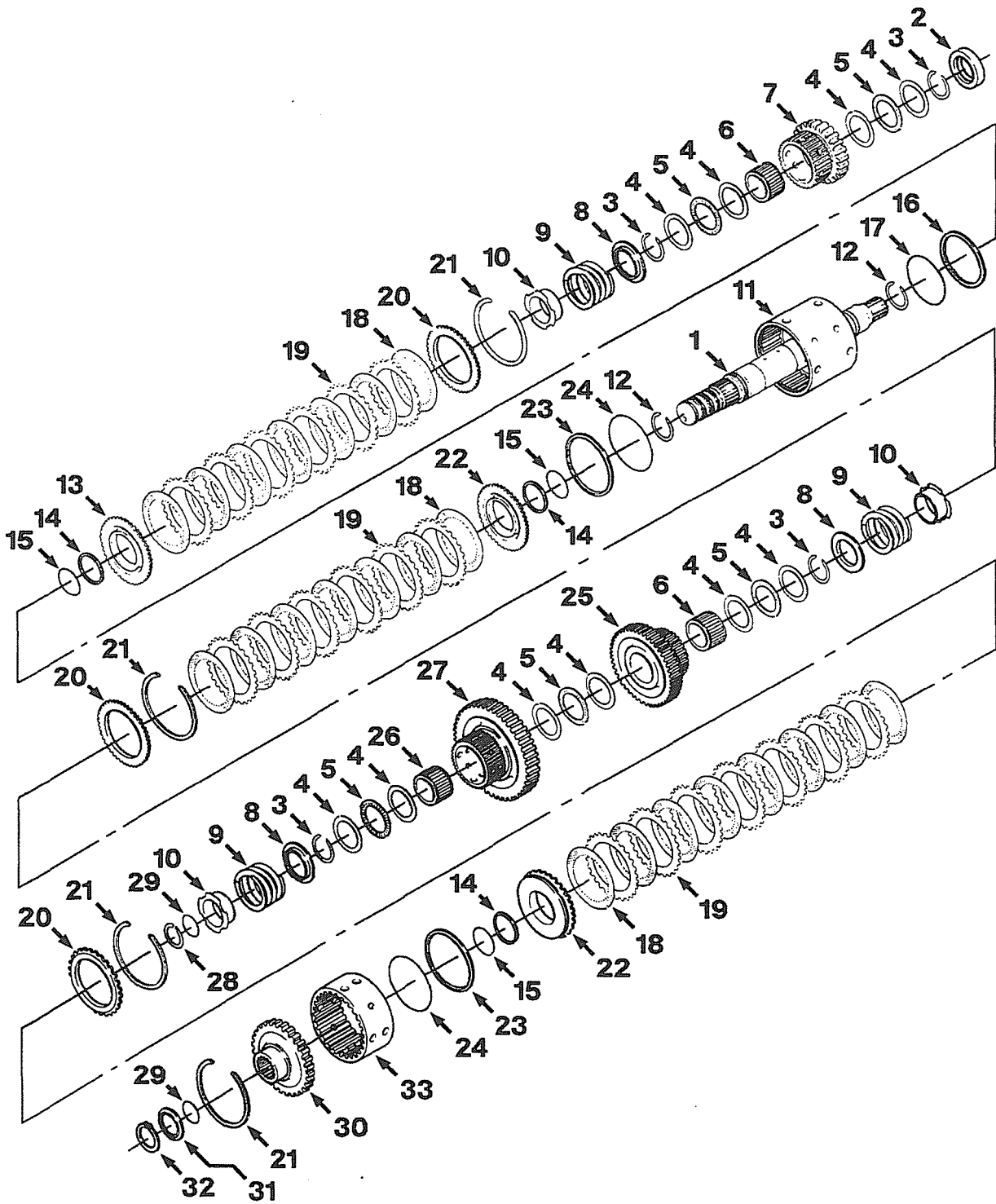
TRANSMISSION REVERSE IDLER GEAR

Item	Part Number	Description	Qty.	Ref.
1	705 075 C1	SHAFT, IDLER	1	
	707 253 R1	RING, SEAL	1	F1
	627 094 C91	BEARING ASSY, DOUBLE TAPERED ROLLER	1	
2	NSS	.BEARING, TAPERED ROLLER	2	
	619 386 R91	..CONE, BEARING	1	
	619 387 R1	..CUP, BEARING	1	
3	NSS	.SPACER, BEARING CONE	1	
4	627 095 C1	SPACER, BEARING CUP	1	
5	705 033 C1	GEAR, REVERSE IDLER	1	
6	659 919 C1	RETAINER, SHAFT	1	
7	27 432 R1	BOLT, HEX - 3/4NCx1-3/4 PATCH	1	

F1 - PART OF TRANSMISSION SERVICE KIT 741 453 C93.

DRIVE TRAIN

TRANSMISSION RANGE (OUTPUT) SHAFT



C07DR113

DRIVE TRAIN

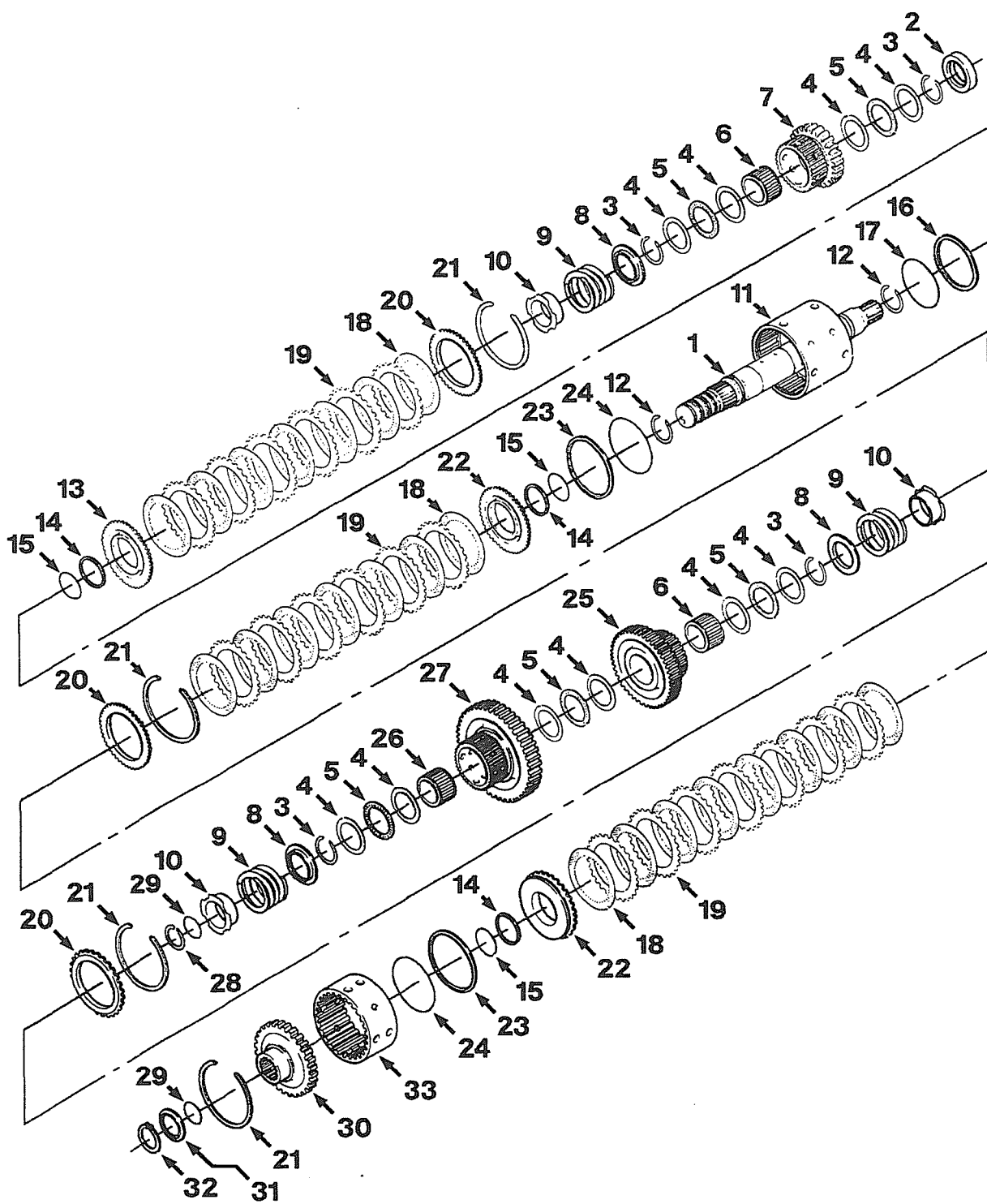
TRANSMISSION RANGE (OUTPUT) SHAFT

Item	Part Number	Description	Qty.	Ref.
	716 834 C94	SHAFT ASSY, RANGE	1	
1	709 784 C91	.SHAFT ASSY, OUTPUT	1	
	21 277 R1	..PIN, DOWEL - 7/16x1/2	3	
	28 265 R1	..PIN, ROLL - 1/8x3/8	3	
	212 012 H1	..PIN, ROLL - 5/64x3/8	1	
2	709 630 C1	.SPACER, BEARING	1	
3	632 341 C1	.RING, RETAINING	4	
4	659 907 C1	.RACE, THRUST	10	
5	374 011 R91	.BEARING, THRUST	5	
6	610 766 C91	.BEARING, NEEDLE	2	
7	709 793 C1	.GEAR AND HUB, 3RD SPEED	1	
8	1212 820 C1	.RETAINER, SPRING	3	
9	1212 816 C1	.SPRING, RETURN	3	
10	709 609 C1	.SLEEVE, LUBE	3	
11	741 777 C3	.KIT, HUB AND DRUM	1	
12	366 694 C1	.RING, RETAINING	2	
13	709 822 C1	.PISTON, 3RD SPEED	1	
14	659 910 C1	.SEAL, PISTON	3	F1
15	659 913 C1	.RING, SEAL	3	F1
16	659 720 C1	.SEAL, PISTON	1	F1
17	659 726 C1	.RING, SEAL	1	F1
18	709 777 C2	.DISC, FRICTION	22	
19	716 719 C1	.PLATE, SEPARATOR	19	
20	1286 827 H1	.PLATE, SUPPORT	3	
21	1228 459 H2	.RING, RETAINING - CAPTURED	3	
22	709 837 C1	.PISTON, 1ST OR 2ND SPEED	2	
23	709 631 C1	.SEAL, PISTON	2	F1
24	709 632 C1	.RING, SEAL	2	F1
25	709 792 C1	.GEAR AND HUB, 2ND SPEED	1	
26	659 906 C91	.BEARING, NEEDLE	1	
27	709 791 C1	.GEAR AND HUB, 1ST SPEED	1	
28	734 369 C1	.RING, RETAINING	1	
29	21 924 R1	.RING, SEAL	2	F1
30	1216 245 H1	.HOUSING, 1ST PISTON	1	
31	716 835 C1	.SPACER, RING	1	
32	258 400 C1	.RING, RETAINING	1	

CONTINUED ON NEXT PAGE

DRIVE TRAIN

TRANSMISSION RANGE (OUTPUT) SHAFT



C07DR113

DRIVE TRAIN

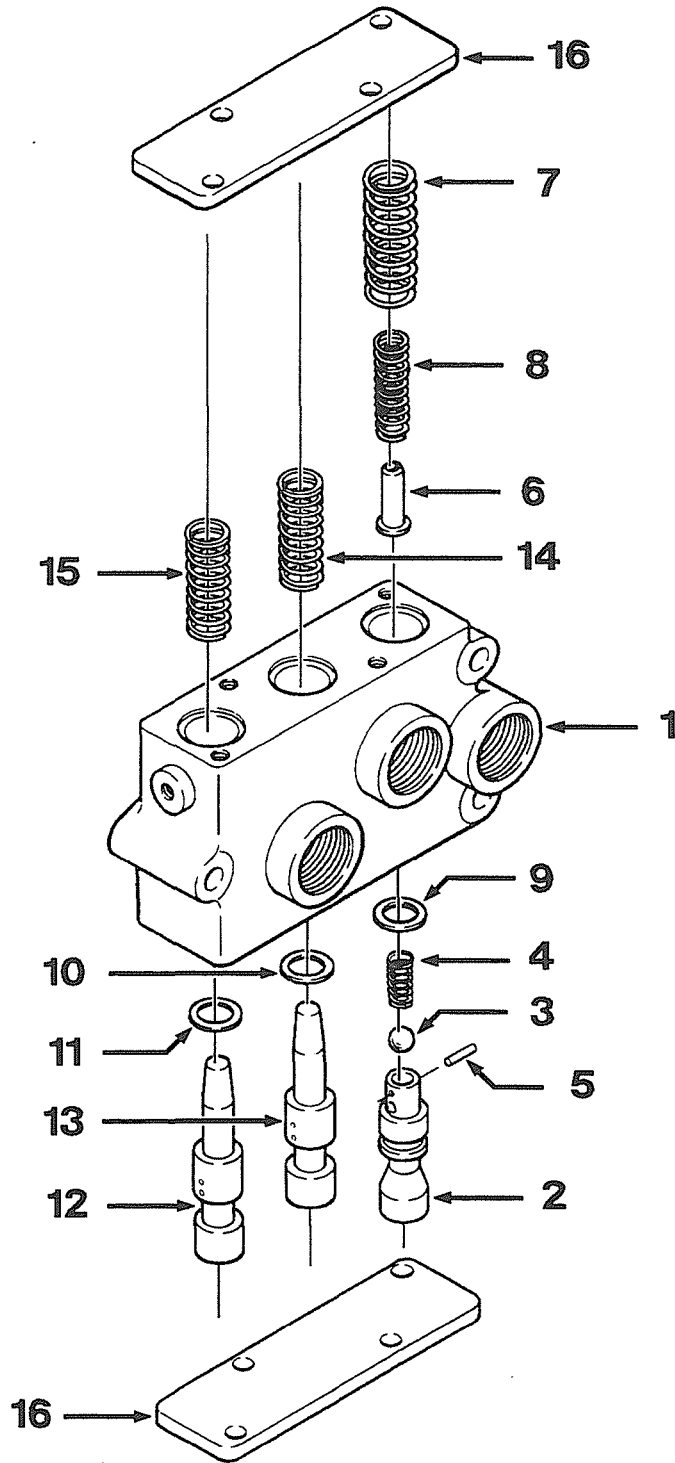
TRANSMISSION
RANGE (OUTPUT) SHAFT

Item	Part Number	Description	Qty.	Ref.
33	716 837 C3	.DRUM, 1ST SPEED	1	

F1 - PART OF TRANSMISSION SERVICE KIT 741 453 C93.

DRIVE TRAIN

TRANSMISSION PRESSURE REGULATOR VALVE



C07EM015

DRIVE TRAIN

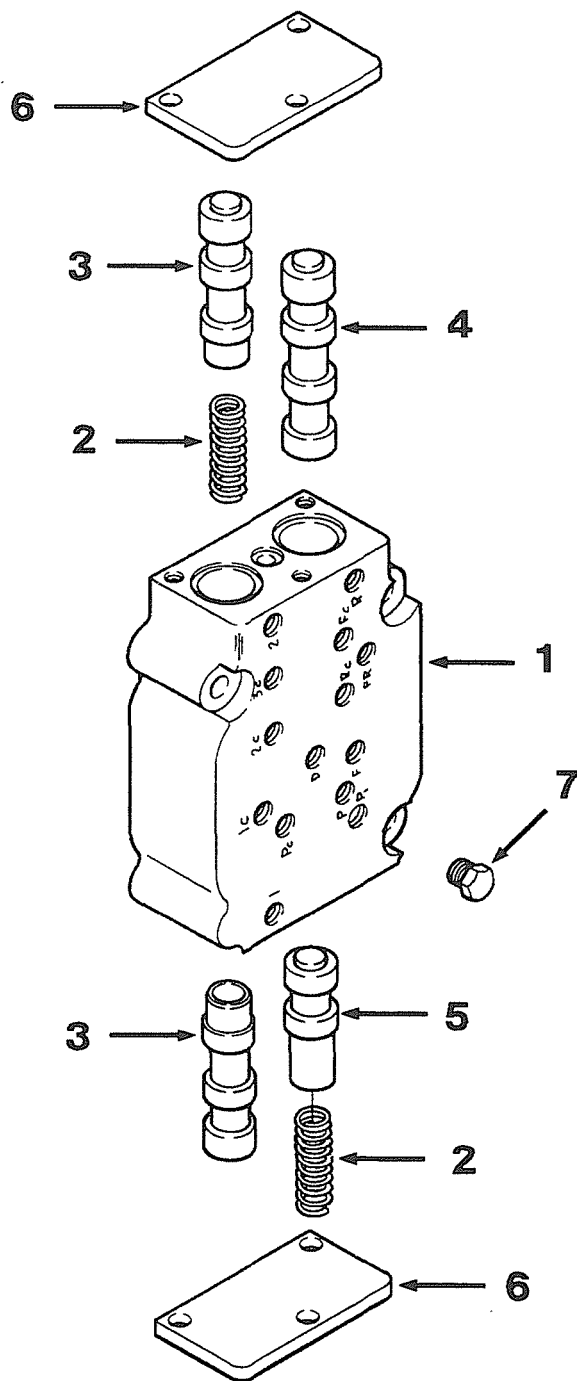
TRANSMISSION PRESSURE REGULATOR VALVE

Item	Part Number	Description	Qty.	Ref.
	706 715 C93	VALVE ASSY, PRESSURE REGULATOR	1	
1	NSS	.HOUSING, VALVE	1	
	382 137 R1	.RING, SEAL	6	
	444 692	.PLUG, PORT	1	
	104 938	.PLUG, CORK	1	
	662 287 C92	.SPOOL ASSY, MAIN	1	F1
2	NSS	..SPOOL, MAIN	1	
3	17 010 R1	..BALL, CHECK	1	
4	662 291 C3	..SPRING, CHECK BALL	1	
5	17 067 R1	..PIN, SPRING	1	
6	662 290 C1	.PIN, SPRING GUIDE	1	
7	666 019 C2	.SPRING, MAIN SPOOL OUTER	1	
8	666 018 C2	.SPRING, MAIN SPOOL INNER	1	
9	662 294 C1	.SHIM, MAIN SPOOL - UP TO MAX OF 3	AR	
10	662 294 C1	.SHIM, CONVERTER SPOOL - UP TO MAX OF 5	AR	
11	662 294 C1	.SHIM, LUBE SPOOL - UP TO MAX OF 3	AR	
12	NSS	.SPOOL, LUBE	1	
13	NSS	.SPOOL, CONVERTER	1	
14	706 722 C2	.SPRING, CONVERTER SPOOL	1	
15	706 658 C1	.SPRING, LUBE SPOOL	1	
16	662 296 C1	.COVER, END	1	
	25 955 R1	.BOLT, HEX - 5/16NCx5/8	8	
	116 120	.WASHER, LOCK - 5/16	8	

F1 - PART NUMBER IS A NON-SERVICE PART AND IS LISTED FOR REFERENCE ONLY.
ORDER INDIVIDUAL PIECE PARTS.

DRIVE TRAIN

TRANSMISSION RANGE SELECTOR VALVE



C07EM016

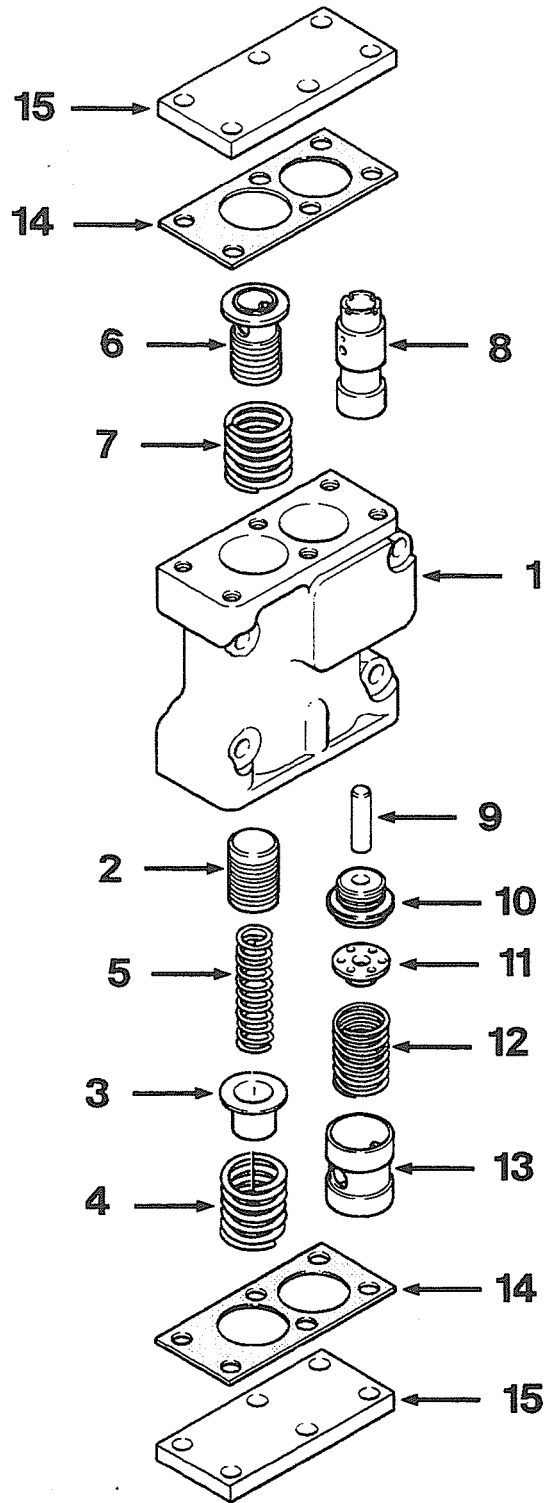
DRIVE TRAIN

TRANSMISSION RANGE SELECTOR VALVE

Item	Part Number	Description	Qty.	Ref.
	662 246 C92	VALVE ASSY, RANGE SELECTOR	1	
1	NSS	.HOUSING, VALVE	1	
	372 821 R1	.RING, SEAL - LARGE	4	
	252 738 R1	.RING, SEAL - SMALL	2	
2	662 245 C1	.SPRING, RETURN	2	
3	NSS	.SPOOL, SPEED	2	
4	NSS	.SPOOL, DIRECTIONAL - LONG	1	
5	NSS	.SPOOL, DIRECTIONAL - SHORT	1	
6	662 241 C1	.COVER, END	2	
	25 228 R1	.BOLT, HEX - 5/16NCx3/4	6	
	116 120	.WASHER, LOCK - 5/16	6	
7	444 613	.PLUG, PORT		AR

DRIVE TRAIN

TRANSMISSION RATE OF RISE VALVE



C07EM017

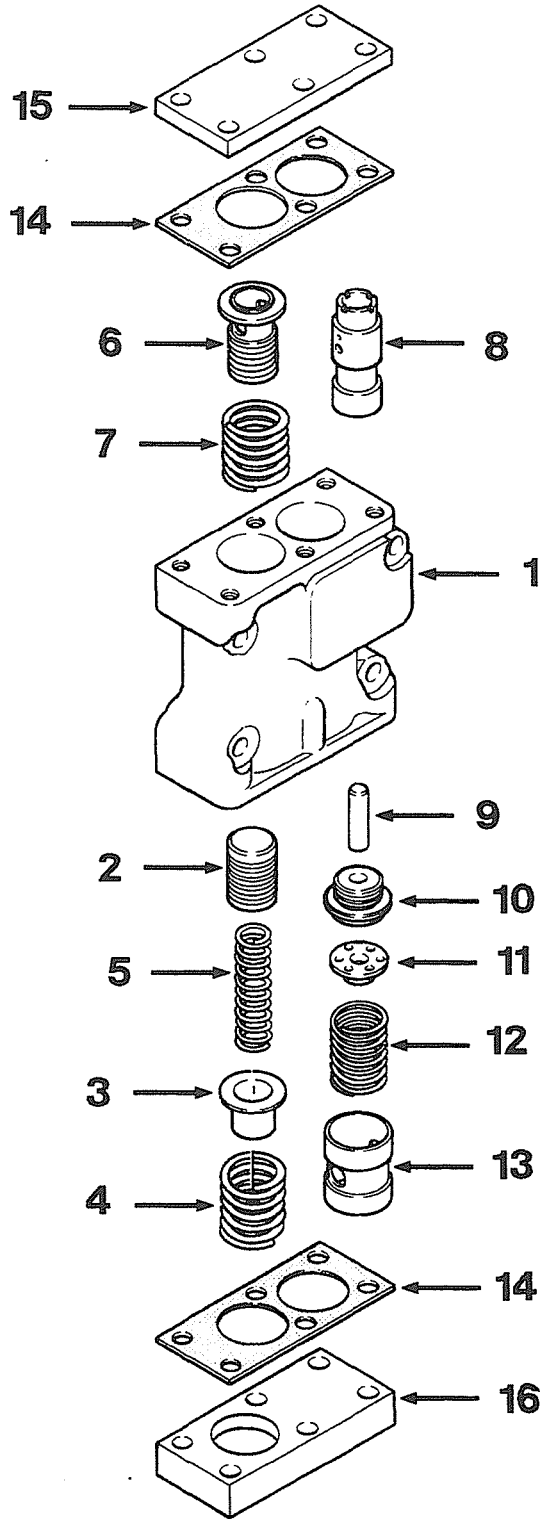
DRIVE TRAIN

TRANSMISSION RATE OF RISE VALVE

Item	Part Number	Description	Qty.	Ref.
	1211 130 H94	VALVE ASSY, RATE OF RISE	1	
1	NSS	.HOUSING, VALVE	1	
2	NSS	.PISTON, MODULATING	1	
3	657 942 C1	.RETAINER, SPRING	1	
4	657 943 C2	.SPRING, PISTON OUTER	1	
5	657 944 C2	.SPRING, PISTON INNER	1	
6	NSS	.SPOOL, REDUCING	1	
7	707 308 C1	.SPRING, REDUCING SPOOL	1	
8	NSS	.SPOOL, SEQUENCE	1	
9	19 892 R1	.PIN, DOWEL - 3/8x1-1/2	1	
10	707 304 C1	.SPACER, DISC	1	
11	707 303 C1	.DISC, SEQUENCE	1	
12	1234 069 H1	.SPRING, SEQUENCE SPOOL	1	
13	657 946 C2	.SPACER, TUBE	1	
14	654 333 C2	.GASKET, END COVER	2	
15	657 950 C1	.COVER, END	2	
	24 840 R1	.BOLT, HEX - 3/8NCx1	12	
	115 093	.WASHER, LOCK - 3/8	12	

DRIVE TRAIN

TRANSMISSION RATE OF RISE VALVE



KCRWD40B

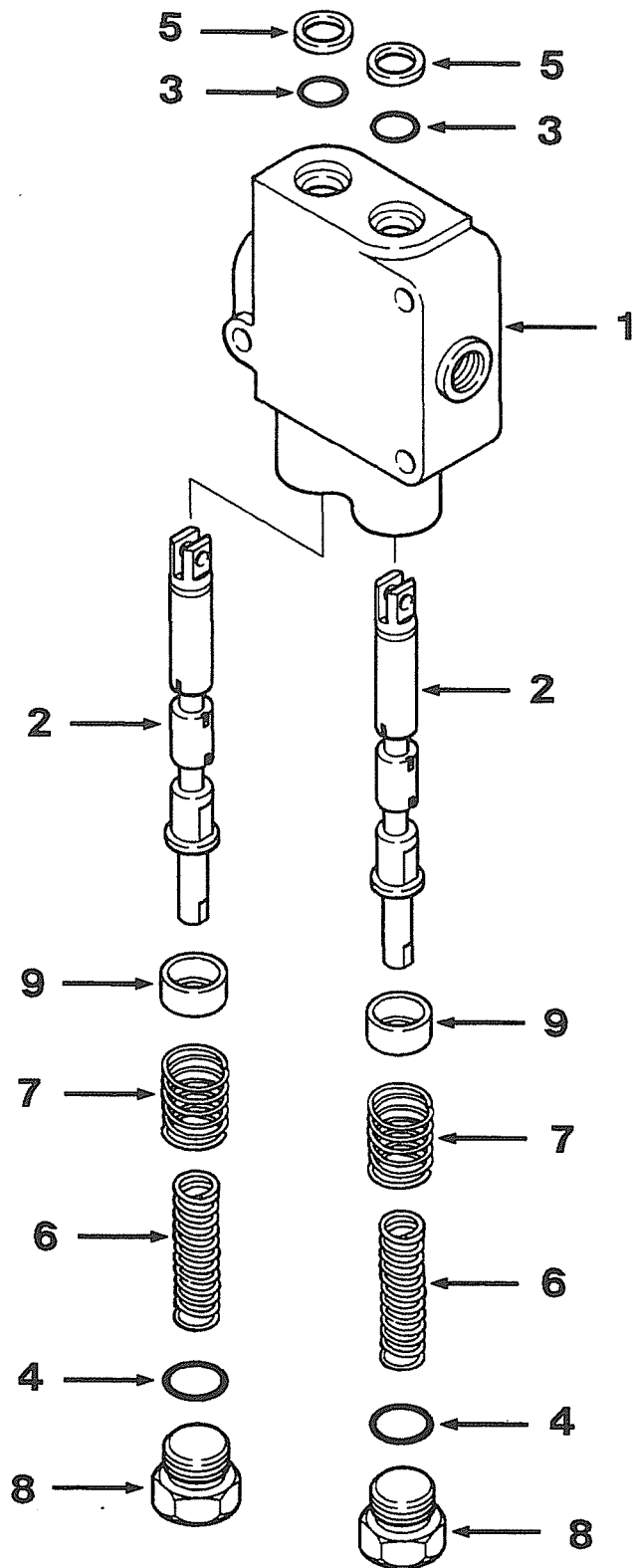
DRIVE TRAIN

TRANSMISSION RATE OF RISE VALVE

Item	Part Number	Description	Qty.	Ref.
	1305 397 H91	VALVE ASSY, RATE OF RISE	1	
1	NSS	.HOUSING, VALVE	1	
2	NSS	.PISTON, MODULATING	1	
3	657 942 C1	.RETAINER, SPRING	1	
4	657 943 C2	.SPRING, PISTON OUTER	1	
5	657 944 C2	.SPRING, PISTON INNER	1	
6	NSS	.SPOOL, REDUCING	1	
7	707 308 C1	.SPRING, REDUCING SPOOL	1	
8	NSS	.SPOOL, SEQUENCE	1	
9	19 892 R1	.PIN, DOWEL - 3/8x1-1/2	1	
10	707 304 C1	.SPACER, DISC	1	
11	707 303 C1	.DISC, SEQUENCE	1	
12	1234 069 H1	.SPRING, SEQUENCE SPOOL	1	
13	657 946 C2	.SPACER, TUBE	1	
14	654 333 C2	.GASKET, END COVER	2	
15	657 950 C1	.COVER, END	2	
	24 840 R1	.BOLT, HEX - 3/8NCx1	6	
	115 093	.WASHER, LOCK - 3/8	6	
16	1305 390 H1	.COVER, END	1	
	140 483 H	.BOLT, HEX - 3/8NCx1-1/4	6	
	115 093	.WASHER, LOCK - 3/8	6	

DRIVE TRAIN

STEERING VALVE



C07HD048

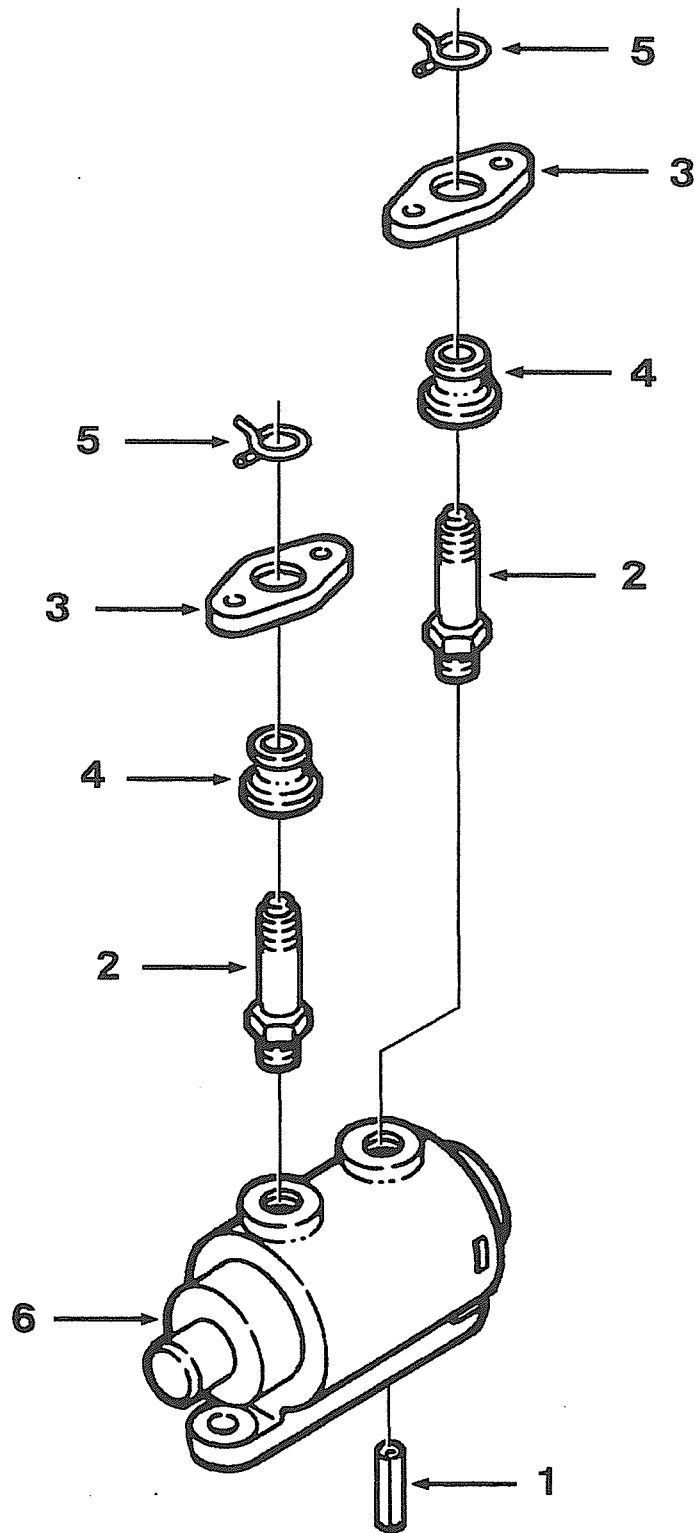
DRIVE TRAIN

STEERING VALVE

Item	Part Number	Description	Qty.	Ref.
	733 597 C92	VALVE ASSY, STEERING	1	
1	NSS	.HOUSING, VALVE	1	
2	NSS	.SPOOL, VALVE	2	
	1206 018 H1	.PACKAGE, VALVE SEAL	1	
3	NSS	..RING, SEAL	2	
4	NSS	..RING, SEAL	2	
5	NSS	..SEAL, SPOOL	2	
6	1260 698 H1	.SPRING, INNER RETURN	2	
7	1260 699 H1	.SPRING, OUTER RETURN	2	
8	733 596 C1	.PLUG, END	2	
9	1260 697 H1	.SPACER, PICK UP	2	

DRIVE TRAIN

STEERING CYLINDER CONNECTIONS



C07ZZ002

DRIVE TRAIN

STEERING CYLINDER CONNECTIONS

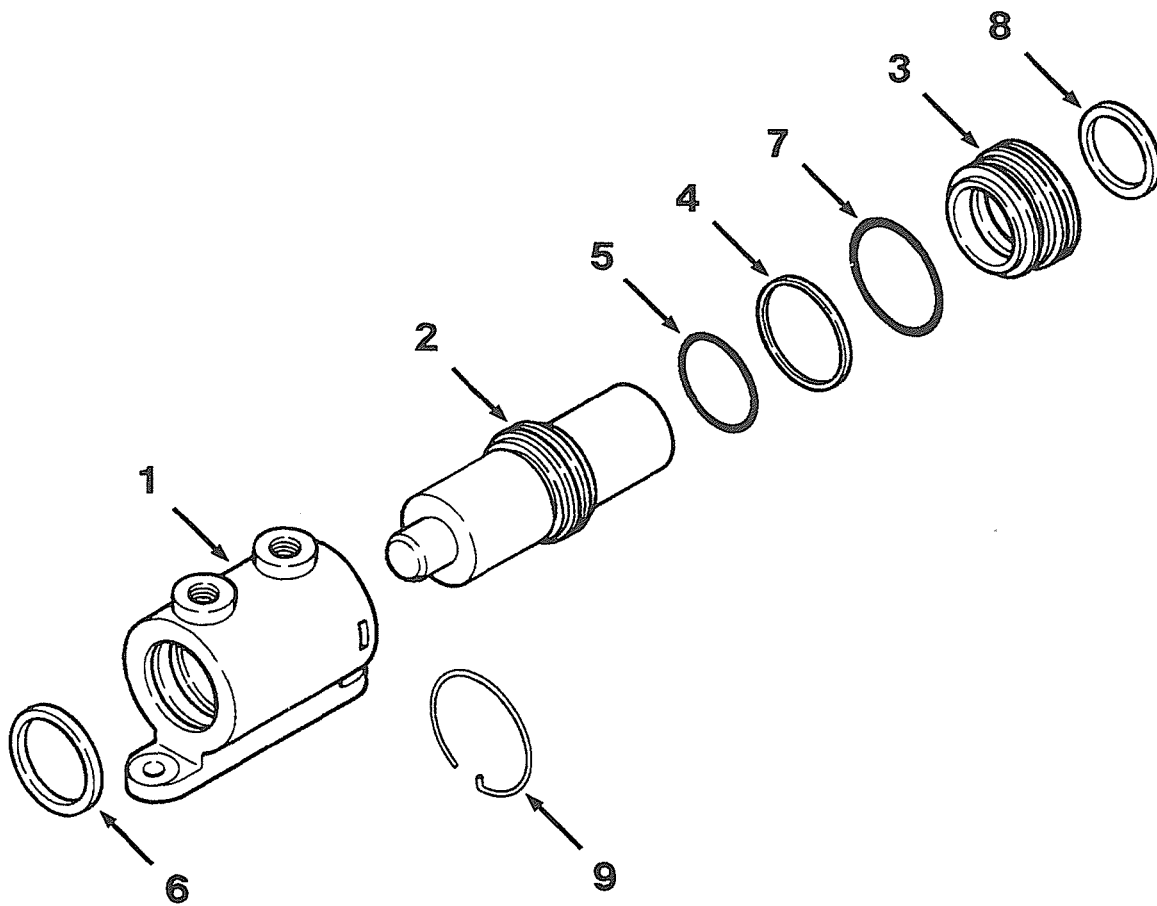
Item	Part Number	Description	Qty.	Ref.
	679 182 C91	STEERING CYLINDER CONNECTIONS	1	F1
1	690 693 R1	.PIN, SPRING - 1/2x1	2	
2	9410 229	.CONNECTOR, LONG	4	
	570 828 R1	.RING, SEAL	4	
3	628 095 C1	.FLANGE, SEAL	4	
	25 534 R1	.WASHER, FLAT - 3/8	8	
	9413 979	.NUT, LOCK - 3/8NC	8	
4	652 341 C1	.BOOT, CONNECTOR	4	F2
5	112 700 R1	.CLAMP, BOOT	4	F2
6		.CYLINDER, STEERING (SEE PG 07-076)	2	
	24 861 R1	.BOLT, HEX - 1/2NCx1-1/4	4	
	25 536 R1	.WASHER, FLAT - 1/2	4	

F1 - PART NUMBER IS A NON-SERVICE PART AND IS LISTED FOR REFERENCE ONLY.
ORDER INDIVIDUAL PIECE PARTS.

F2 - PART OF CYLINDER SEAL PACKAGE 679 248 C91.

DRIVE TRAIN

STEERING CYLINDER



C07ZZ003

DRIVE TRAIN

STEERING CYLINDER

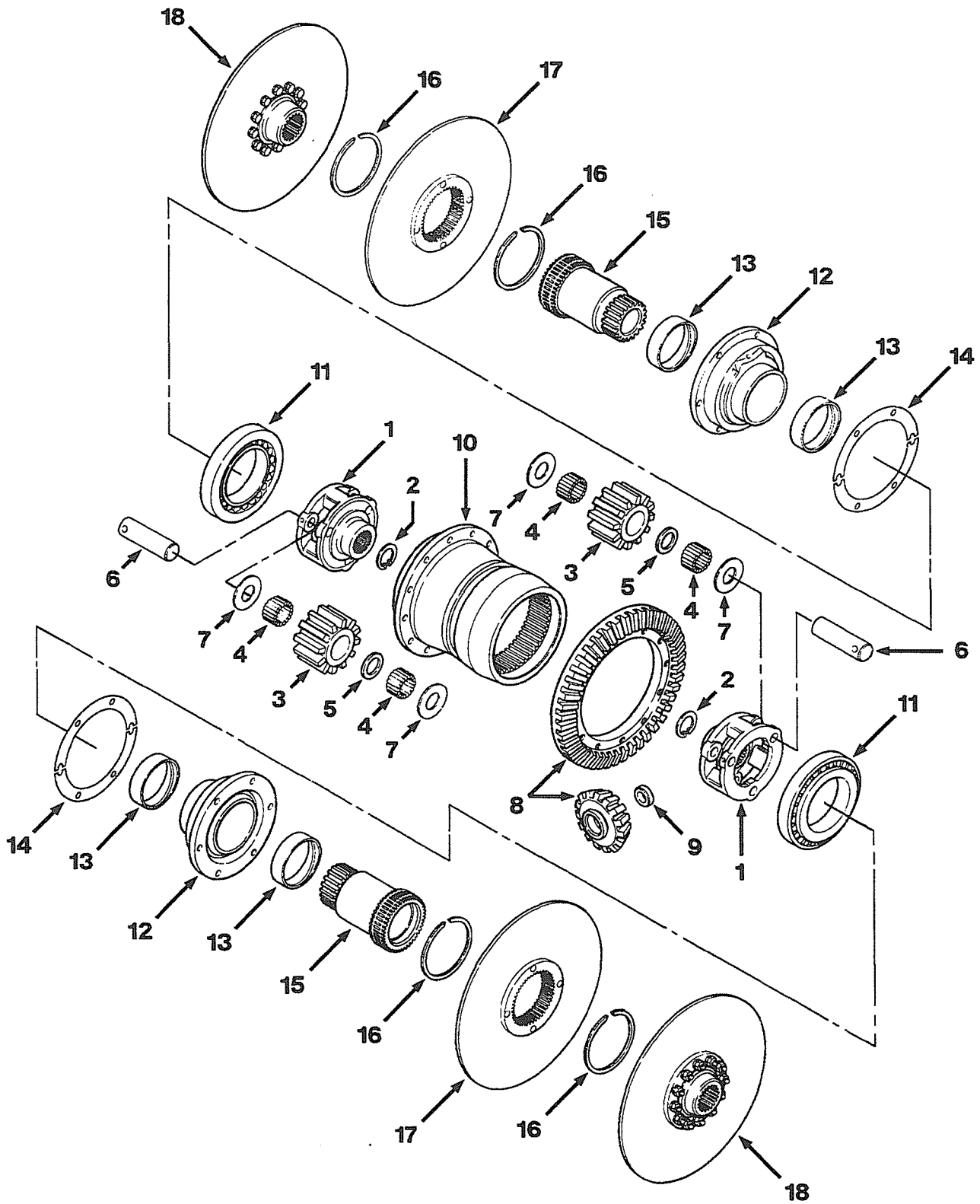
Item	Part Number	Description	Qty.	Ref.
	1211 653 H91	STEERING CYLINDER	1	F1
1	666 229 C2	.HOUSING, CYLINDER	1	
2	666 230 C1	.PISTON, CYLINDER	1	
3	666 231 C1	.CAP, END	1	
	679 248 C91	.PACKAGE, CYLINDER SEAL	1	F2
4	NSS	..SEAL, PISTON	1	
5	NSS	..RING, SEAL	1	
6	NSS	..RING, QUAD	1	
7	NSS	..RING, SEAL	1	
8	NSS	..RING, QUAD	1	
9	381 873 R1	.RING, RETAINING	1	

F1 - PART NUMBER IS A NON-SERVICE PART AND IS LISTED FOR REFERENCE ONLY.
ORDER INDIVIDUAL PIECE PARTS.

F2 - ALSO INCLUDES PARTS LISTED ON PG 07-074.

DRIVE TRAIN

STEERING DRIVE



C07GR251

DRIVE TRAIN

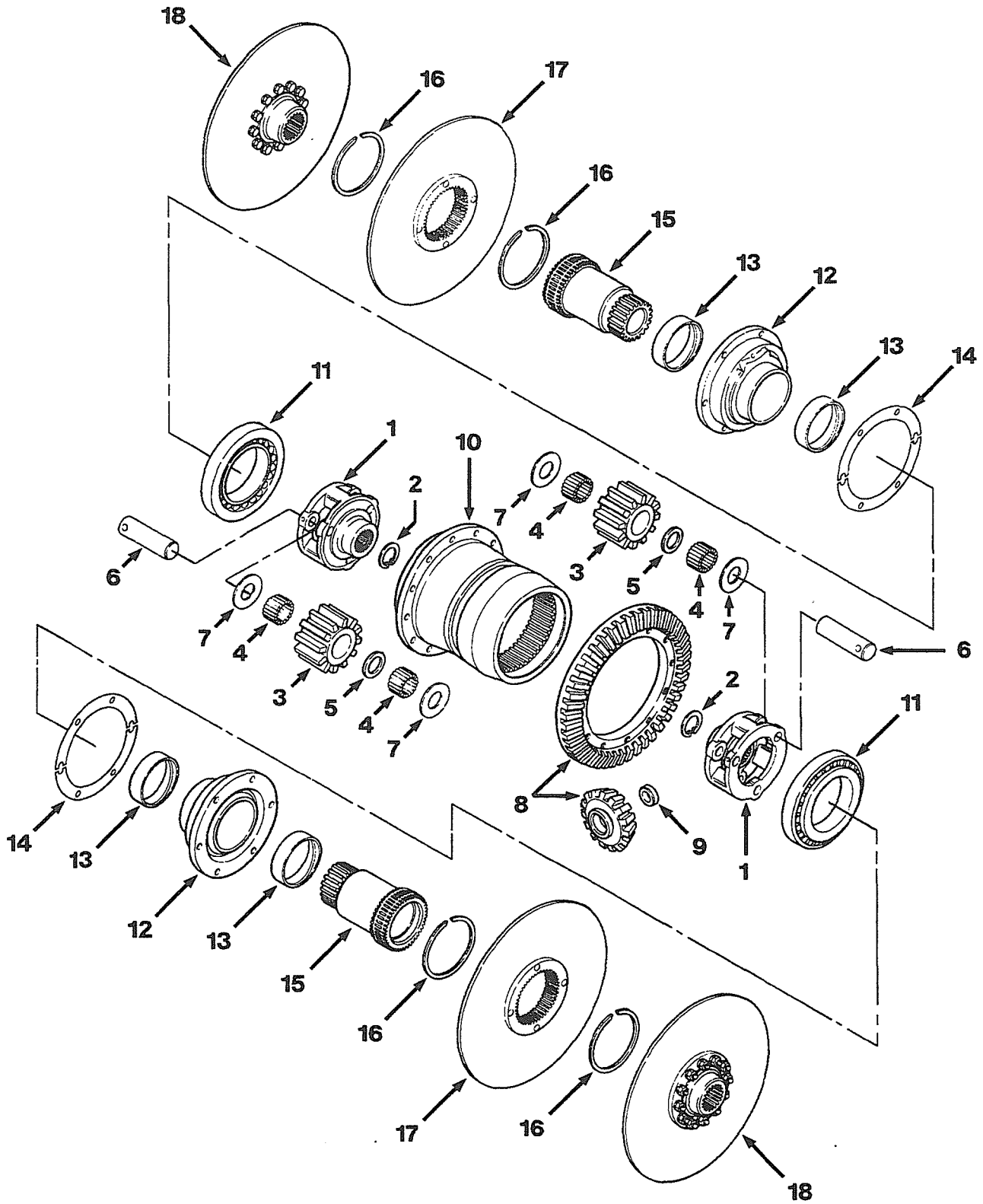
STEERING DRIVE

Item	Part Number	Description	Qty.	Ref.
	1270 564 H91	STEERING DRIVE	1	F1
1	716 938 C1	.CARRIER, PLANET GEAR	2	
2	194 298 R1	.RING, RETAINING	2	
3	629 839 C1	.GEAR, PLANET	6	
4	629 836 C91	.KIT, NEEDLE BEARING	AR	2 PER GEAR
	NSS	..NEEDLE, BEARING	20	
5	629 838 C1	.SPACER, NEEDLE BEARING	6	
6	716 939 C1	.SHAFT, PLANET GEAR	6	
	19 955 R1	.PIN, SPRING - 1/4x1/2	6	
7	659 543 C1	.WASHER, THRUST	12	
8	1270 440 H91	.GEAR SET, RING AND PINION	1	
	24 998 R1	.BOLT, HEX - 3/4NFx4 - PINION GEAR	1	
	734 204 C1	.BOLT, HEX - 7/16NFx7/8 - RING GEAR	12	
9	622 260 C1	.PLATE, RETAINER	1	
10	621 059 C1	.CARRIER, RING GEAR	1	
11	372 181 R91	.BEARING, TAPERED ROLLER	2	OPTIONAL
	372 182 R91	..CONE, BEARING	1	
	92 575 H	..CUP, BEARING	1	
11	372 183 R91	.BEARING, TAPERED ROLLER	2	OPTIONAL
	372 184 R91	..CONE, BEARING	1	
	74 420 R1	..CUP, BEARING	1	
11	621 063 C91	.BEARING, TAPERED ROLLER	2	OPTIONAL
	622 200 C91	..CONE, BEARING	1	
	622 201 C1	..CUP, BEARING	1	
	621 064 C91	.CARRIER ASSY, BEARING	1	
12	NSS	..CARRIER, BEARING	1	
13	621 066 C1	..BUSHING, CARRIER	2	
	26 974 R1	.BOLT, HEX - 7/16NCx1-1/2	12	
	25 545 R1	.WASHER, FLAT - 7/16	12	
14	621 076 C1	.SHIM, CARRIER - 0.005 IN	AR	
	621 077 C1	.SHIM, CARRIER - 0.007 IN	AR	
	621 078 C1	.SHIM, CARRIER - 0.020 IN	AR	
15	621 068 C2	.GEAR, SUN	2	
16	621 069 C1	.RING, RETAINING	4	
17	621 070 C92	.DISC ASSY, CLUTCH	2	
	23 394 R1	..RIVET - 1/4x1-3/8	4	

CONTINUED ON NEXT PAGE

DRIVE TRAIN

STEERING DRIVE



C07GR251

DRIVE TRAIN

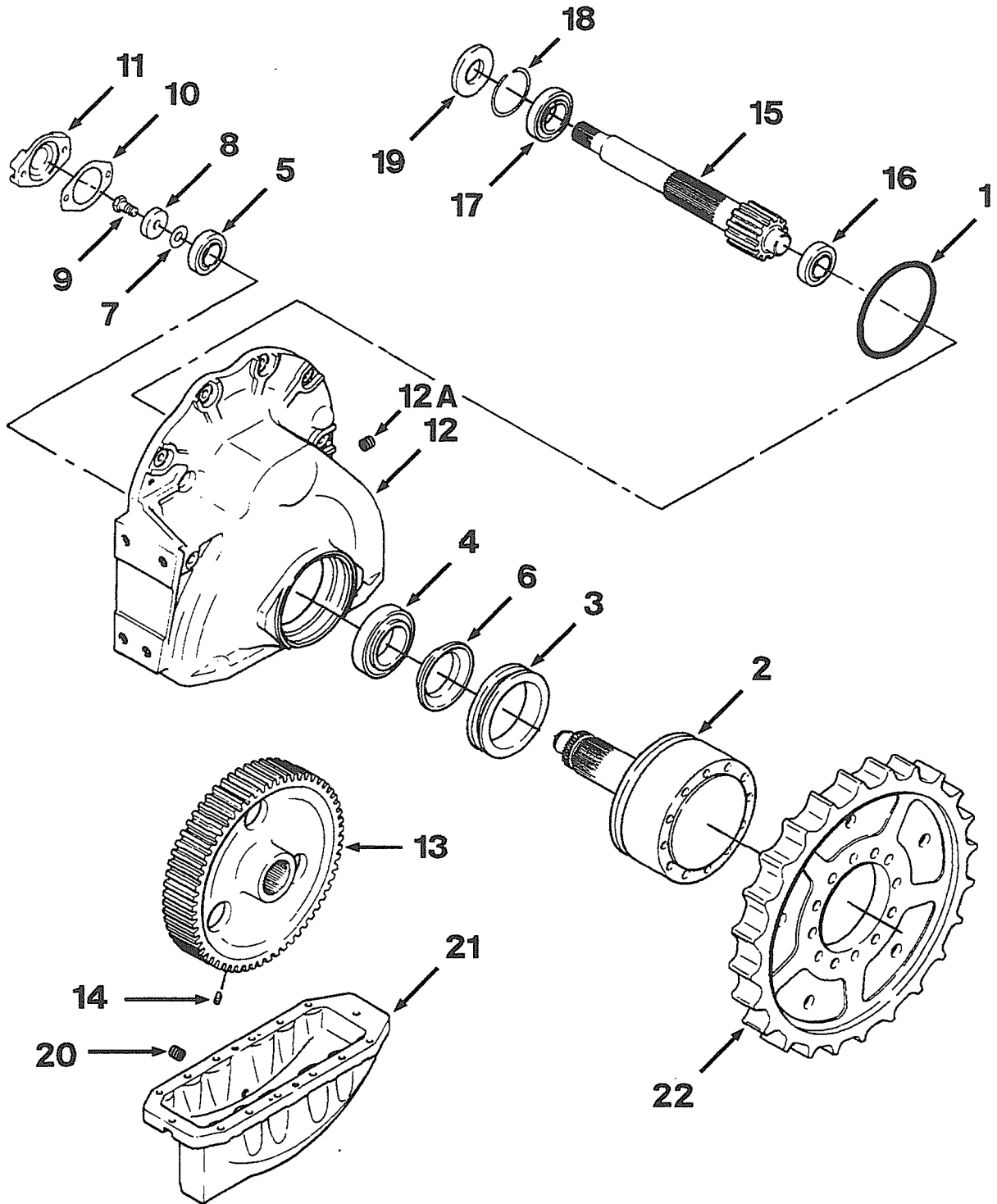
STEERING DRIVE

Item	Part Number	Description	Qty.	Ref.
18	621 073 C93	.DISC ASSY, BRAKE	2	
	140 483 H	..BOLT, HEX - 3/8NCx1-1/4	12	
	25 534 R1	..WASHER, FLAT - 3/8	24	
	9413 979	..NUT, LOCK - 3/8NC	12	

F1 - PART NUMBER IS A NON-SERVICE PART AND IS LISTED FOR REFERENCE ONLY.
ORDER INDIVIDUAL PIECE PARTS.

DRIVE TRAIN

FINAL DRIVE AND SPROCKET



C07HH072

DRIVE TRAIN

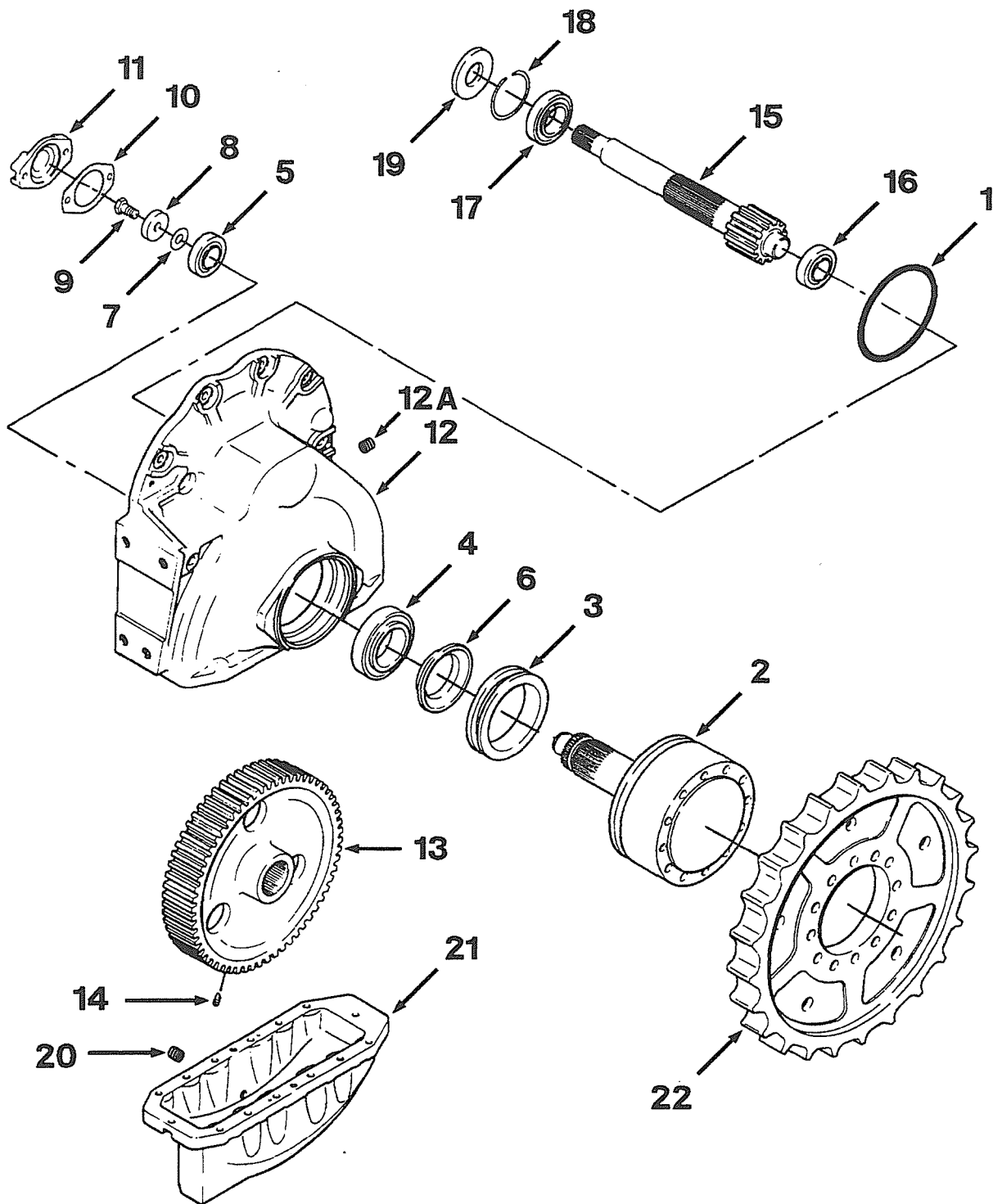
FINAL DRIVE AND SPROCKET

Item	Part Number	Description	Qty.	Ref.
	1261 335 H91	FINAL DRIVE AND SPROCKET	1	F1
	1261 353 H92	..FINAL DRIVE ASSY, LEFT	1	
1	1206 069 H1	..RING, SEAL - HOUSING	1	
2	1284 706 H91	..SHAFT, SPROCKET CARRIER	1	
3	1214 405 H91	..KIT, SEAL	1	
4	1209 259 H91	..BEARING, TAPERED ROLLER - OUTER	1	
	1209 260 H91	...CONE, BEARING	1	
	1209 261 H1	...CUP, BEARING	1	
5	1209 262 H91	..BEARING, TAPERED ROLLER - INNER	1	
	1209 263 H91	...CONE, BEARING	1	
	170 234 R1	...CUP, BEARING	1	
6	1208 981 H1	..SPACER, BEARING	1	
7	1209 669 H1	..SHIM, CARRIER - 0.005 IN	AR	
	1209 670 H1	..SHIM, CARRIER - 0.007 IN	AR	
	1209 671 H1	..SHIM, CARRIER - 0.020 IN	AR	
8	1209 672 H1	..WASHER, CARRIER	1	
9	25 358 R1	..BOLT, HEX - 3/4NCx3-3/4	1	
10	1208 982 H1	..GASKET, COVER	1	
11	1208 983 H1	..COVER, CARRIER SHAFT	1	
	70 427 R1	..BOLT, HEX - 7/16NCx1-1/4	2	
	115 314	..WASHER, LOCK - 7/16	2	
12	1258 203 H92	..HOUSING ASSY, LEFT	1	
12A	280 668 R91	...PLUG, FILL	1	
	367 478 R1	...PIN, DOWEL	2	
	104 939	...PLUG, CORK	2	
	1284 556 H1	...PLUG, THREADED	2	
13	621 116 C2	..GEAR, SPROCKET DRIVE (68 TEETH)	1	
14	621 110 C3	..SCREW, RETAINER	1	
	454 522 R1	..NUT, RETAINER - 1/2NC	1	
15	621 125 C2	..PINION, DRIVE	1	
16	14 969 L	..BEARING, TAPERED ROLLER - OUTER	1	OPTIONAL
	M 93 599	...CONE, BEARING	1	
	PO 1 403 9	...CUP, BEARING	1	
16	168 420 R91	..BEARING, TAPERED ROLLER - OUTER	1	OPTIONAL
	168 421 R91	...CONE, BEARING	1	
	168 422 R1	...CUP, BEARING	1	

CONTINUED ON NEXT PAGE

DRIVE TRAIN

FINAL DRIVE AND SPROCKET



C07HH072

DRIVE TRAIN

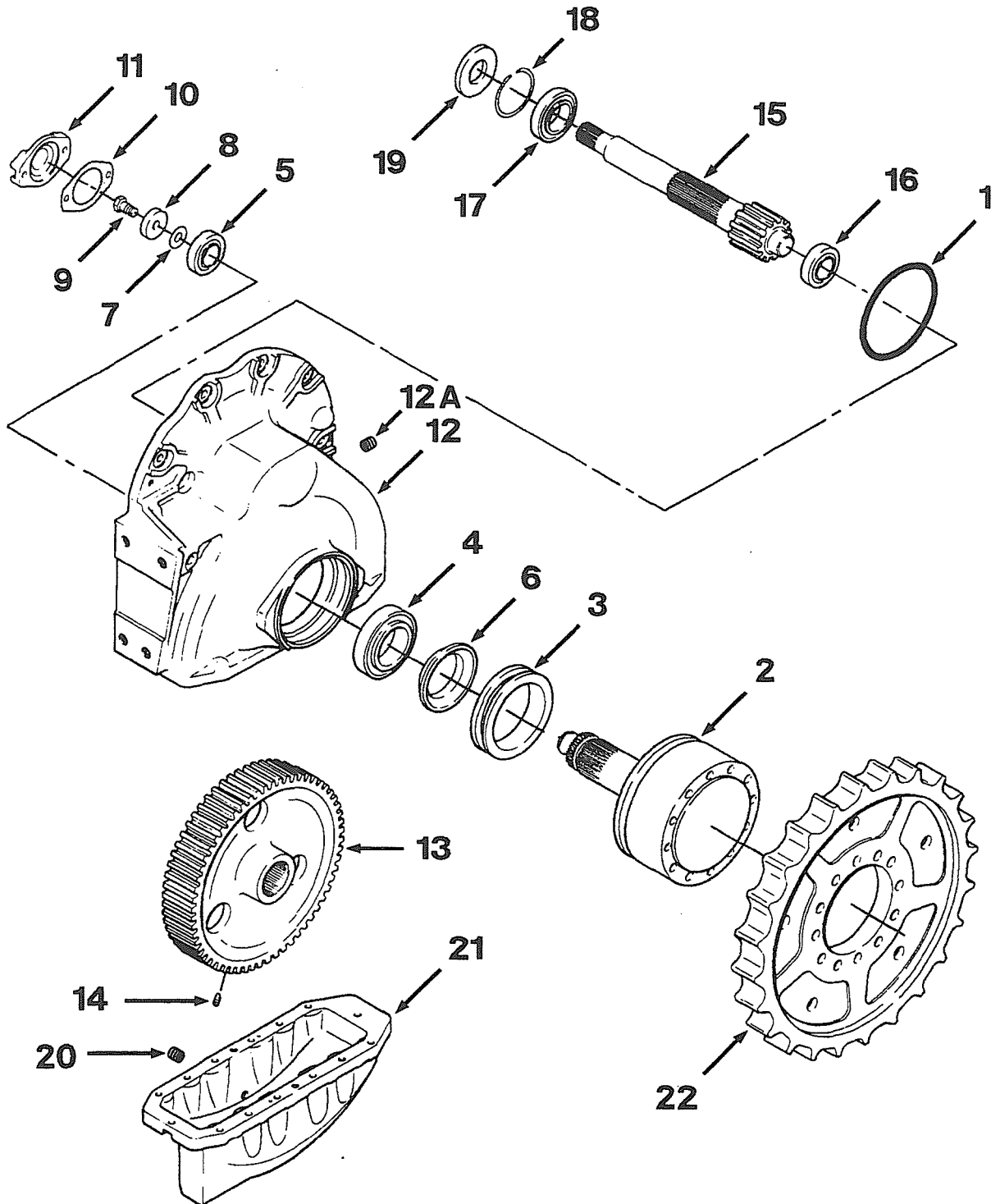
FINAL DRIVE AND SPROCKET

Item	Part Number	Description	Qty.	Ref.
17	29 216 H	..BEARING, TAPERED ROLLER - INNER	1	OPTIONAL
	29 215 H	...CONE, BEARING	1	
	29 214 H	...CUP, BEARING	1	
17	94 364 R91	..BEARING, TAPERED ROLLER - INNER	1	OPTIONAL
	94 365 R91	...CONE, BEARING	1	
	94 366 R1	...CUP, BEARING	1	
17	56 256 H	..BEARING, TAPERED ROLLER - INNER	1	OPTIONAL
	56 257 H	...CONE, BEARING	1	
	56 258 H	...CUP, BEARING	1	
18	621 127 C1	..RING, RETAINING - 0.109 IN	1	
	621 128 C1	..RING, RETAINING - 0.101 IN	1	
	705 473 C1	..RING, RETAINING - 0.117 IN	1	
19	621 129 C92	..SEAL, OIL	1	
20	280 668 R91	..PLUG, DRAIN	1	
21	716 900 C1	..COVER, HOUSING BOTTOM	1	
	24 863 R1	..BOLT, HEX - 1/2NCx1-3/4	14	
	116 121	..WASHER, LOCK - 1/2	14	
	26 322 R1	..BOLT, HEX - 5/8NCx2	5	
	24 878 R1	..BOLT, HEX - 5/8NCx2-3/4	2	
	25 680 R1	..BOLT, HEX - 5/8NCx6	1	
	734 324 C1	..STUD, MOUNTING - 5/8NC	2	
	25 537 R1	..WASHER, FLAT - 5/8	10	
	25 528 R1	..NUT, HEX - 5/8NC	2	
	1261 354 H92	..FINAL DRIVE ASSY, RIGHT	1	
1	1206 069 H1	..O-RING, HOUSING	1	
2	1284 706 H91	..SHAFT, SPROCKET CARRIER	1	
3	1214 405 H91	..KIT, SEAL	1	
4	1209 259 H91	..BEARING, TAPERED ROLLER - OUTER	1	
	1209 260 H91	...CONE, BEARING	1	
	1209 261 H1	...CUP, BEARING	1	
5	1209 262 H91	..BEARING, TAPERED ROLLER - INNER	1	
	1209 263 H91	...CONE, BEARING	1	
	170 234 R1	...CUP, BEARING	1	
6	1208 981 H1	..SPACER, BEARING	1	
7	1209 669 H1	..SHIM, CARRIER - 0.005 IN	AR	
	1209 670 H1	..SHIM, CARRIER - 0.007 IN	AR	

CONTINUED ON NEXT PAGE

DRIVE TRAIN

FINAL DRIVE AND SPROCKET



C07HH072

DRIVE TRAIN

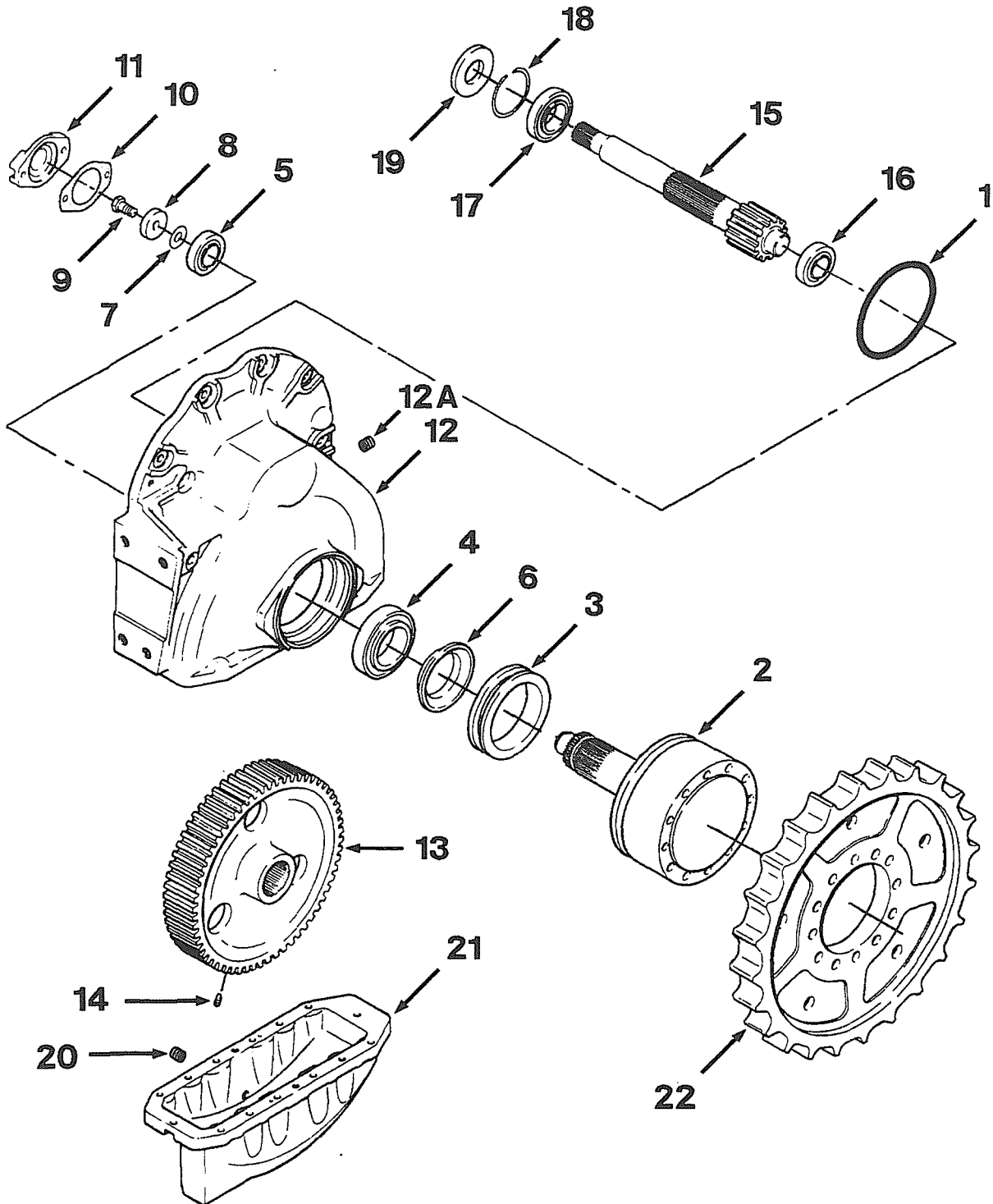
FINAL DRIVE AND SPROCKET

Item	Part Number	Description	Qty.	Ref.
	1209 671 H1	..SHIM, CARRIER - 0.020 IN	AR	
8	1209 672 H1	..WASHER, CARRIER	1	
9	25 358 R1	..BOLT, HEX - 3/4NCx3-3/4	1	
10	1208 982 H1	..GASKET, COVER	1	
11	1208 983 H1	..COVER, CARRIER SHAFT	1	
	70 427 R1	..BOLT, HEX - 7/16NCx1-1/4	2	
	115 314	..WASHER, LOCK - 7/16	2	
12	1258 205 H92	..HOUSING ASSY, RIGHT	1	
12A	280 668 R91	...PLUG, FILL	1	
	367 478 R1	...PIN, DOWEL	2	
	104 939	...PLUG, CORK	2	
	1284 556 H1	...PLUG, THREADED	2	
13	621 116 C2	..GEAR, SPROCKET DRIVE (68 TEETH)	1	
14	621 110 C3	..SCREW, RETAINER	1	
	454 522 R1	..NUT, RETAINER - 1/2NC	1	
15	621 125 C2	..PINION, DRIVE	1	
16	14 969 L	..BEARING, TAPERED ROLLER - OUTER	1	OPTIONAL
	M 93 599	...CONE, BEARING	1	
	PO 1 403 9	...CUP, BEARING	1	
16	168 420 R91	..BEARING, TAPERED ROLLER - OUTER	1	OPTIONAL
	168 421 R91	...CONE, BEARING	1	
	168 422 R1	...CUP, BEARING	1	
17	29 216 H	..BEARING, TAPERED ROLLER - INNER	1	OPTIONAL
	29 215 H	...CONE, BEARING	1	
	29 214 H	...CUP, BEARING	1	
17	94 364 R91	..BEARING, TAPERED ROLLER - INNER	1	OPTIONAL
	94 365 R91	...CONE, BEARING	1	
	94 366 R1	...CUP, BEARING	1	
17	56 256 H	..BEARING, TAPERED ROLLER - INNER	1	OPTIONAL
	56 257 H	...CONE, BEARING	1	
	56 258 H	...CUP, BEARING	1	
18	621 127 C1	..RING, RETAINING - 0.109 IN	1	
	621 128 C1	..RING, RETAINING - 0.101 IN	1	
	705 473 C1	..RING, RETAINING - 0.117 IN	1	
19	621 129 C92	..SEAL, OIL	1	
20	280 668 R91	..PLUG, DRAIN	1	

CONTINUED ON NEXT PAGE

DRIVE TRAIN

FINAL DRIVE AND SPROCKET



C07HH072

DRIVE TRAIN

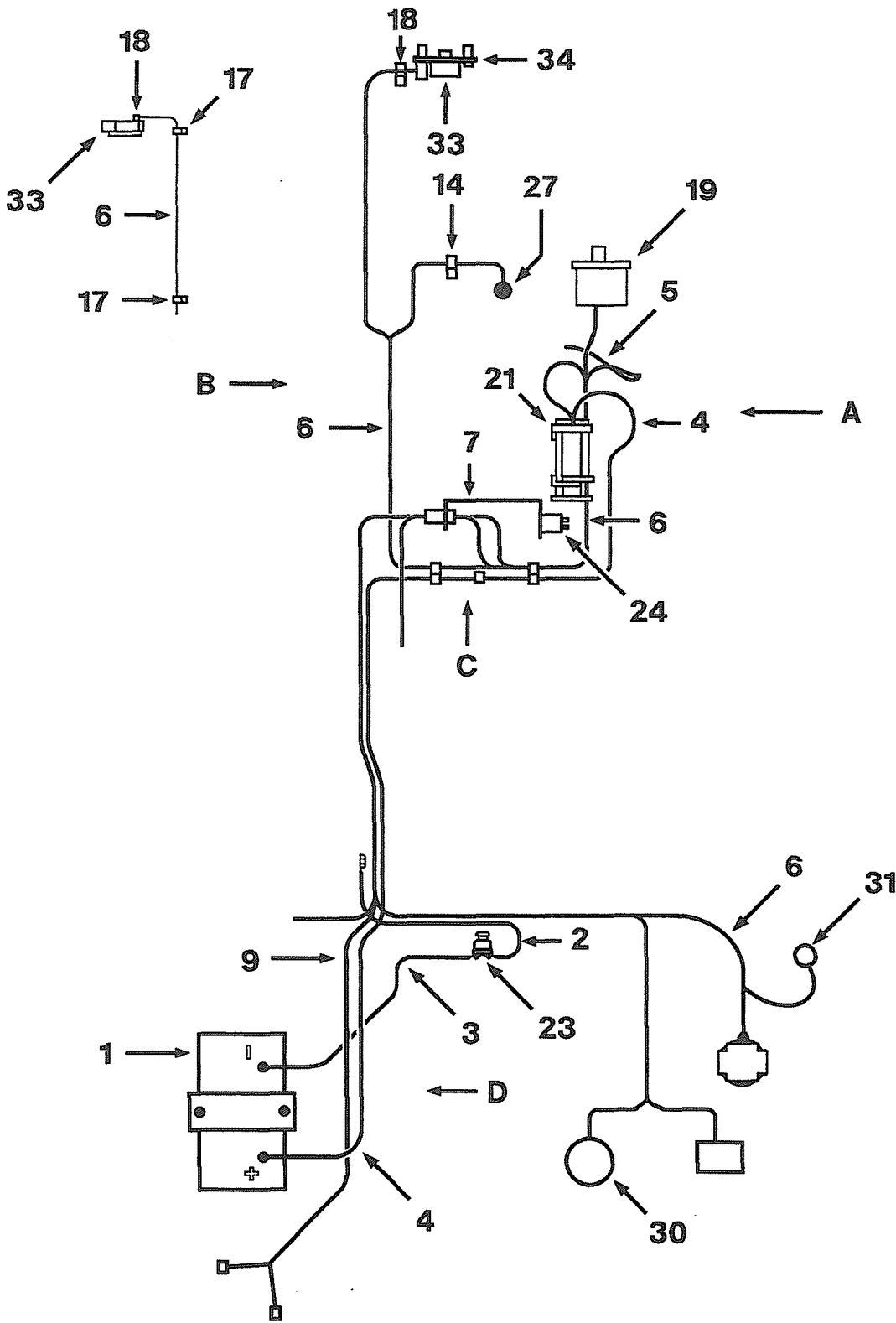
FINAL DRIVE AND SPROCKET

Item	Part Number	Description	Qty.	Ref.
21	716 901 C1	..COVER, HOUSING BOTTOM	1	
	24 863 R1	..BOLT, HEX - 1/2NCx1-3/4	14	
	116 121	..WASHER, LOCK - 1/2	14	
	26 322 R1	.BOLT, HEX - 5/8NCx2	5	
	24 878 R1	.BOLT, HEX - 5/8NCx2-3/4	2	
	25 680 R1	.BOLT, HEX - 5/8NCx6	1	
	734 324 C1	.STUD, MOUNTING - 5/8NC	2	
	25 537 R1	.WASHER, FLAT - 5/8	10	
	25 528 R1	.NUT, HEX - 5/8NC	2	
22	1211 902 H2	.SPROCKET, CASTED TEETH	2	} OPTIONAL
22	1298 736 H1	.SPROCKET, MACHINED TEETH	2	
	24 889 R1	.BOLT, HEX - 3/4NCx2-1/4	24	
	25 538 R1	.WASHER, FLAT - 3/4	24	

F1 - PART NUMBER IS A NON-SERVICE PART AND IS LISTED FOR REFERENCE ONLY.
ORDER INDIVIDUAL PIECE PARTS.

ELECTRICAL

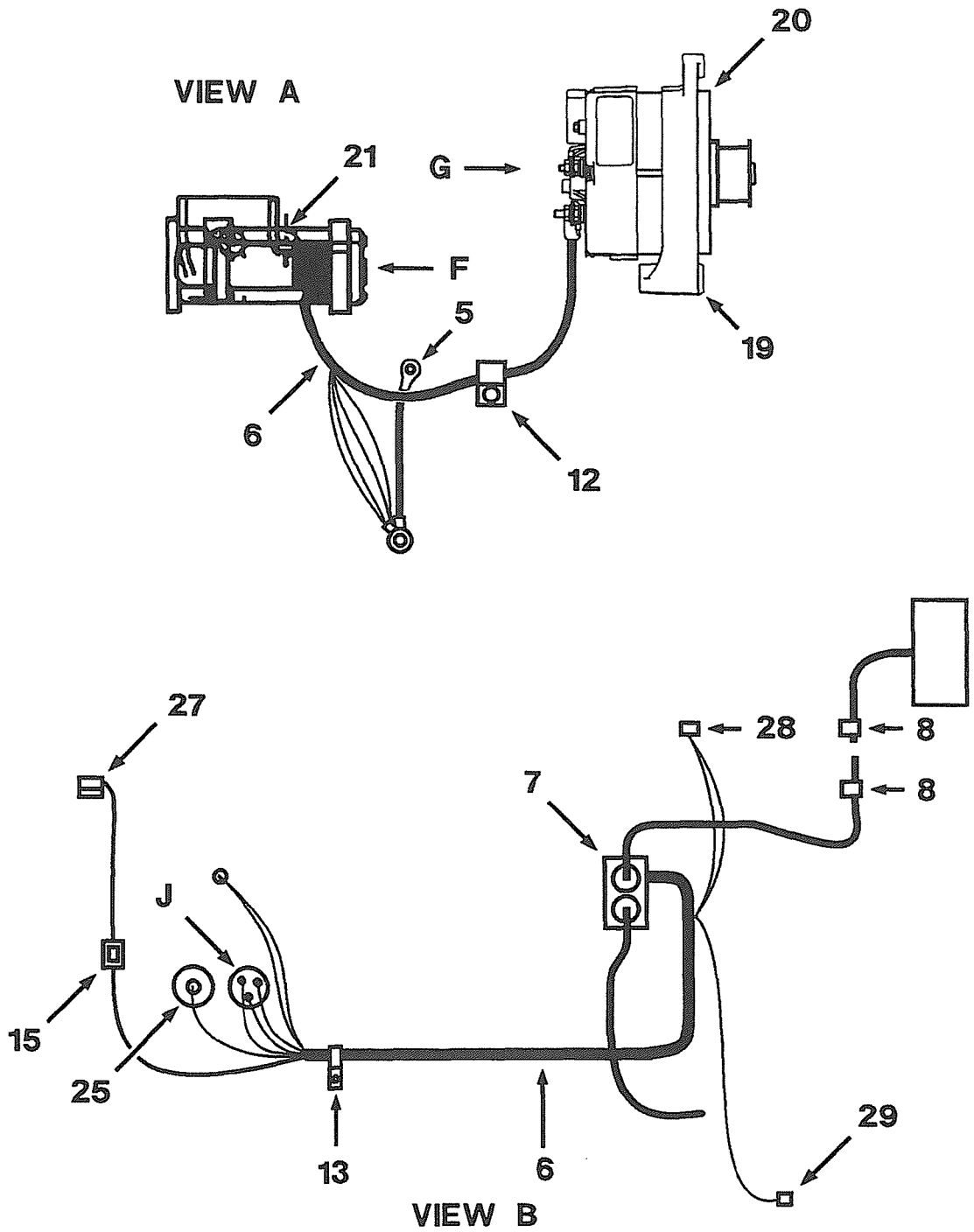
WIRING WITH ROPS CANOPY



C08AD036

ELECTRICAL

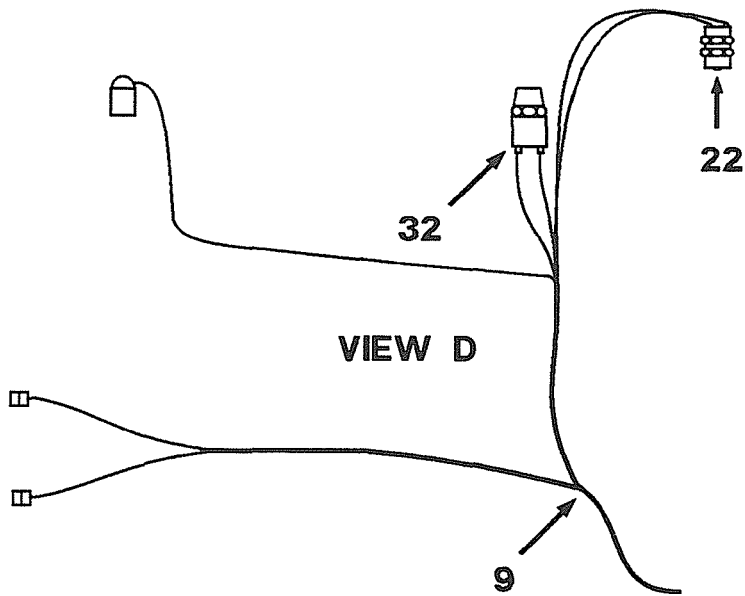
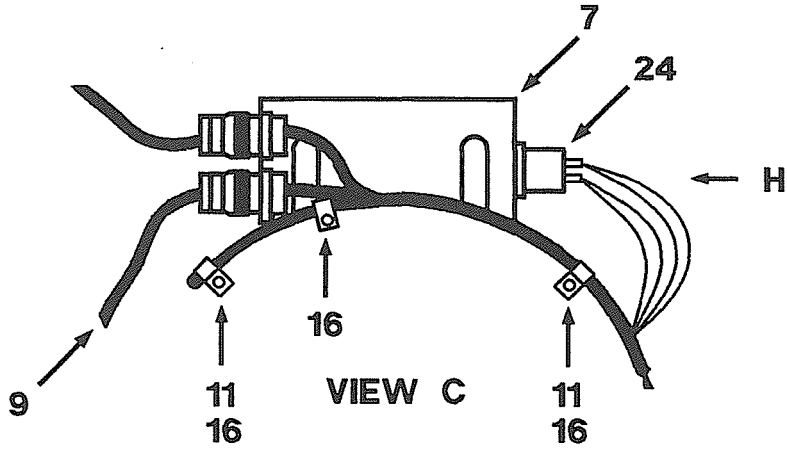
WIRING WITH ROPS CANOPY



C08AD037

ELECTRICAL

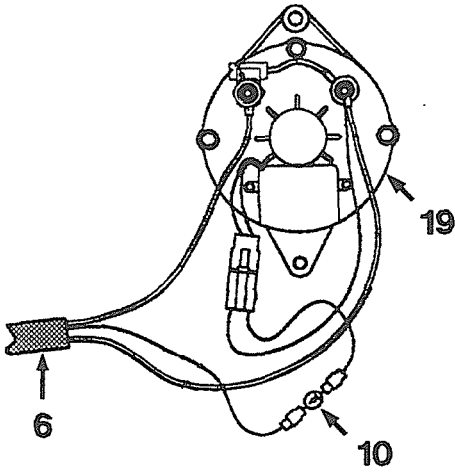
WIRING WITH ROPS CANOPY



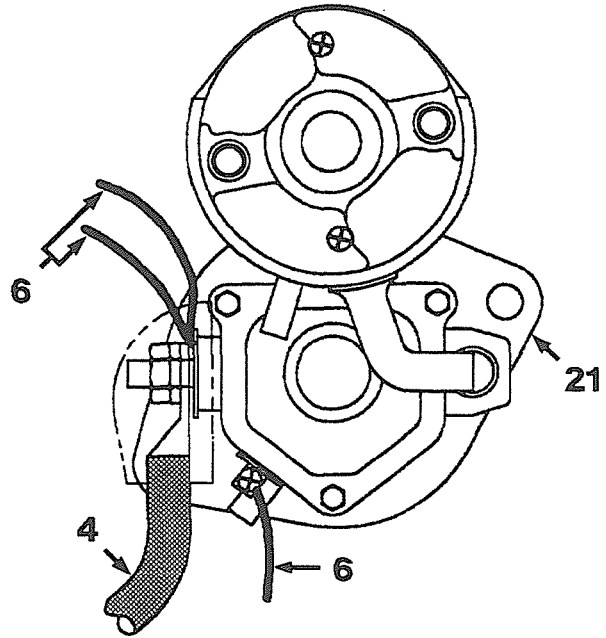
C08AD038

ELECTRICAL

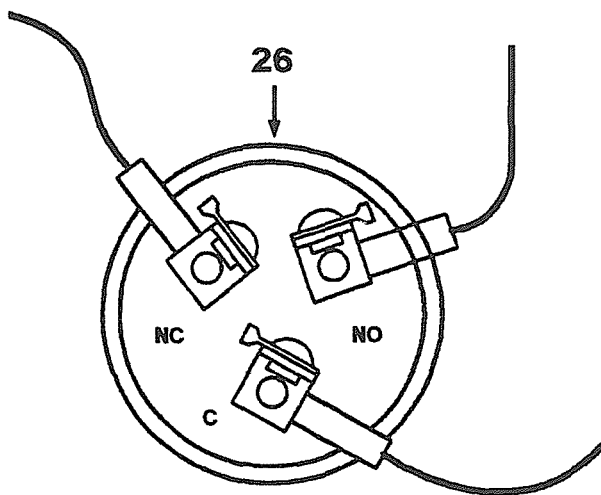
WIRING WITH ROPS CANOPY



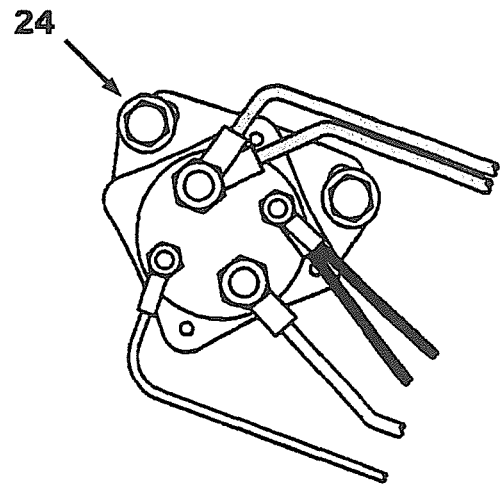
VIEW G



VIEW F



VIEW J

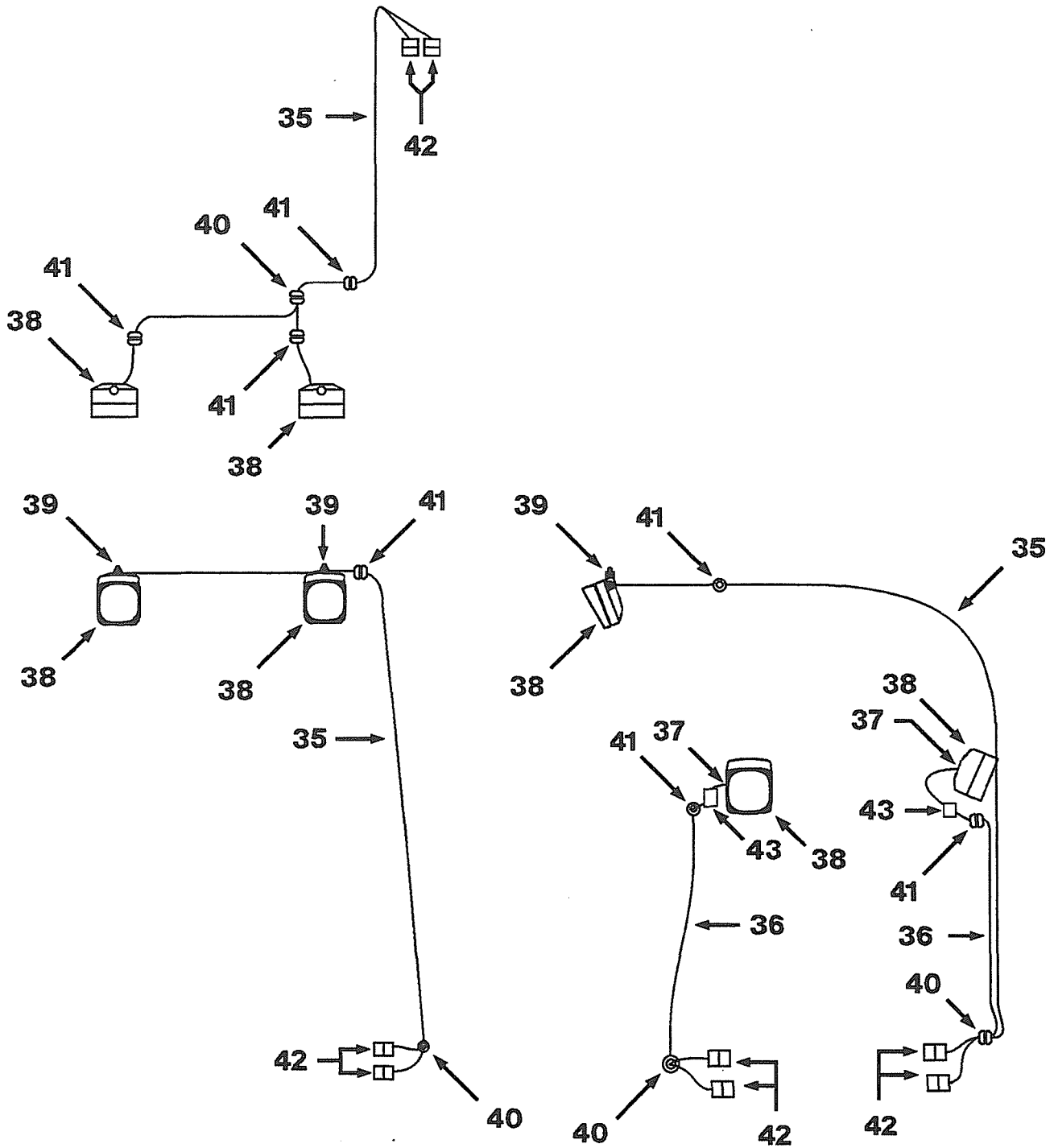


VIEW H

C08AD039

ELECTRICAL

WIRING WITH ROPS CANOPY



C08AD040

ELECTRICAL

WIRING WITH ROPS CANOPY

Item	Part Number	Description	Qty.	Ref.
1		BATTERY (SEE PG 08-018)	1	
	1311 349 H91	WIRING AND CLIPS	1	F1
2	1279 089 H1	.CABLE, MASTER SWITCH TO GROUND	1	F2
	180 120	.BOLT, HEX - 3/8NCx3/4	1	
	390 305 C1	.WASHER, FLAT - 3/8	1	
3	1270 760 H1	.CABLE, MASTER SWITCH TO BATTERY NEG.	1	
4	1270 790 H1	.CABLE, STARTER TO BATTERY POS	1	
5	183 039 H1	.CABLE, ENGINE TO GROUND	1	
	931 833 R1	.BOLT, HEX - M12x25	1	
	25 710 R1	.WASHER, FLAT - 1/2	1	
	180 122	.BOLT, HEX - 3/8NCx1	1	
	390 305 C1	.WASHER, FLAT - 3/8	1	
6	1311 329 H91	.HARNESS, MAIN ELECTRICAL	1	
7	1311 342 H1	.BRACKET, SUPPORT	1	
	30 041 R1	.BOLT, HEX - M12x25	2	
	30 177 R1	.WASHER, FLAT - M12	2	
8	301 272 C1	.CLIP, CLOSED	2	
	25 222 R1	.BOLT, HEX - 1/4NCx3/4	2	
	25 542 R1	.WASHER, FLAT - 1/4	2	
9	1306 802 H91	.HARNESS, REAR	1	
10	1236 341 H1	.DIODE	1	
11	299 566 C1	.CLIP, CLOSED	2	
12	299 614 C1	.CLIP, CLOSED	1	
	30 041 R1	.BOLT, HEX - M12x25	1	
	30 177 R1	.WASHER - M12	1	
13	299 615 C1	.CLIP, CLOSED	1	
14	299 400 C1	.CLIP, CLOSED	1	
	30 019 R1	.BOLT, HEX - M10x20	1	
	30 176 R1	.WASHER, FLAT - M10	1	
15	850 218 C1	.CLIP, CLOSED	1	
16	299 567 C1	.CLIP, CLOSED	3	
17	363 660 R1	.CLIP, CLOSED	2	
18	299 400 C1	.CLIP, CLOSED	1	
	1270 322 H91	ALTERNATOR AND CRANKING MOTOR	1	F1
19		.ALTERNATOR (SEE PG 08-030)	1	
	30 003 R1	.BOLT, HEX - M8x25	1	

CONTINUED ON NEXT PAGE

ELECTRICAL

WIRING WITH ROPS CANOPY

Item	Part Number	Description	Qty.	Ref.
	120 391	.WASHER, FLAT - #10	2	
20	1246 021 H1	.FAN, ALTERNATOR	1	
21		.MOTOR, CRANKING (SEE PG 08-026)	1	
	31 148 R1	.BOLT, HEX - M10x30	2	
	1312 026 H91	SENDERS AND SWITCHES	1	F1
22	621 771 C91	.SWITCH, NEUTRAL START	1	
	177 717 R1	.NUT, HEX - 3/4NF	1	
23	930 587 C4	.SWITCH, MASTER DISCONNECT	1	
	1214 890 H2	.KEY, DISCONNECT SWITCH	2	
24	1207 386 H2	.SWITCH, MAGNETIC	1	
	22 470 R1	.BOLT, HEX - 1/4NCx3/4	2	
	120 392	.WASHER, FLAT - 1/4	2	
	120 380	.WASHER, LOCK - 1/4	2	
	120 375	.NUT, HEX - 1/4NC	2	
	120 214	.WASHER, LOCK - 5/16	2	
	120 376	.NUT, HEX - 5/16	2	} TERMINAL
	120 217	.WASHER, LOCK - #10	2	} TERMINAL
	120 614	.NUT, HEX - #10-32	2	} TERMINAL
25	1311 303 H1	.SENDER, ENGINE OIL PRESSURE	1	
	417-01-A1630	.SEAL, O-RING	1	
	120 217	.WASHER, LOCK - #10	1	
	120 614	.NUT, HEX - #10-32	1	
26	1311 302 H1	.SWITCH, HOURMETER	1	
	417-01-A1630	.SEAL, O-RING	1	
27	1216 162 H1	.SENDER, ENGINE COOLANT TEMPERATURE	1	
28	739 985 C1	.SWITCH, AIR CLEANER FILTER	1	
29	1216 162 H1	.SENDER, TRANSMISSION TEMPERATURE	1	
30	1305 707 H1	.SENDER, FUEL	1	
	1280 602 H1	.BOLT, HEX - #10NFx1	5	
	120 391	.WASHER, LOCK - #10	5	
31	453 453 C1	.SWITCH, HORN	1	
31	627 670 C1	.SWITCH, HORN	1	} OPTIONAL
32	740 986 C2	.SWITCH, BACK UP ALARM	1	
	443 998	.ADAPTER, SWITCH	1	
	1270 270 H91	WARNING HORN	1	F1
33	739 716 C1	.HORN, WARNING	1	

ELECTRICAL

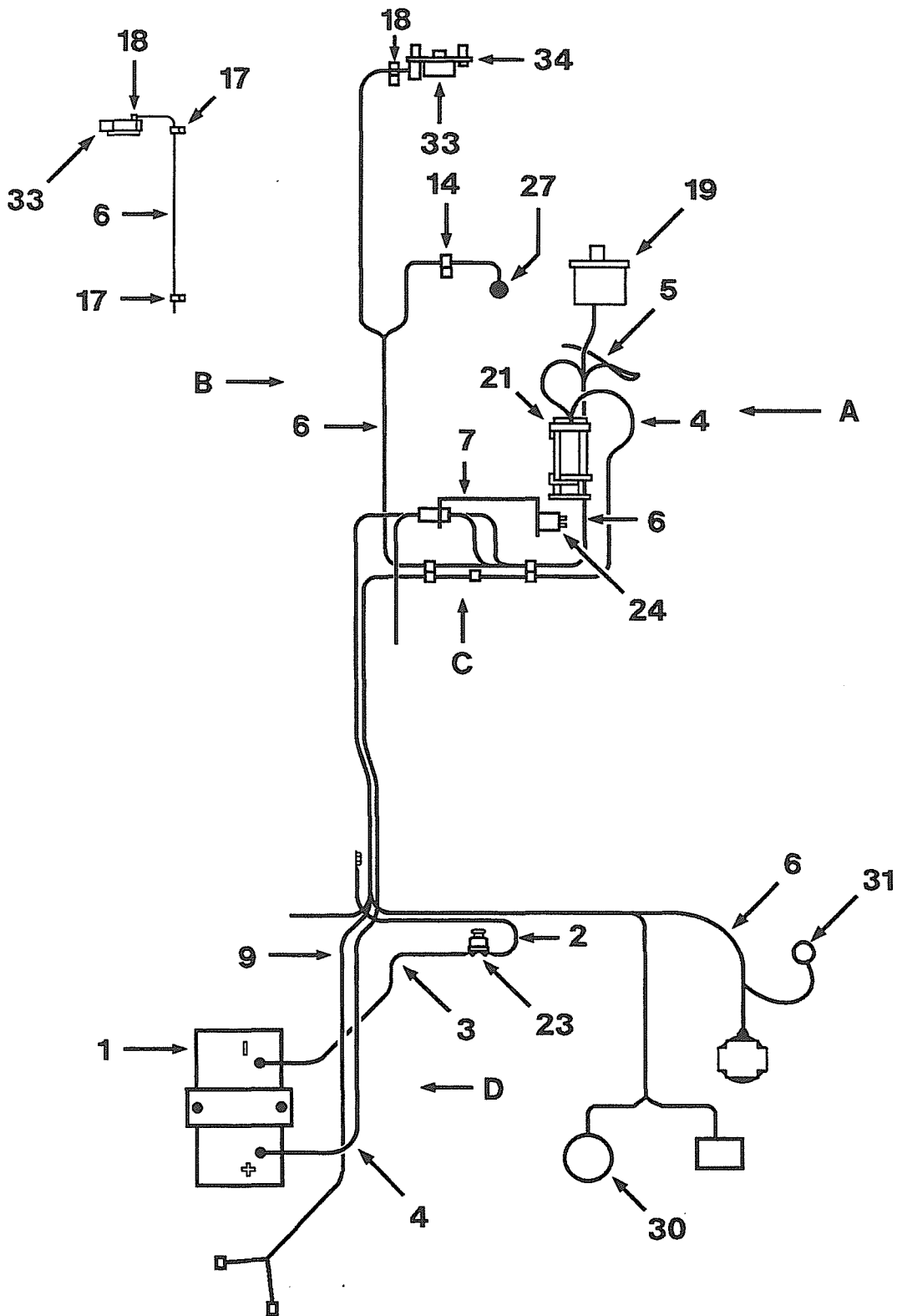
WIRING WITH ROPS CANOPY

Item	Part Number	Description	Qty.	Ref.
	138 566	.WASHER, LOCK - 7/8	1	
	197 420 H2	.NUT, HEX - 7/8NF	1	
34	1278 276 H1	.BRACKET, MOUNTING	1	
	180 120	.BOLT, HEX - 3/8NCx3/4	2	
	390 305 C1	.WASHER, FLAT - 3/8	2	
	1277 386 H91	FRONT AND REAR LIGHTING	1	F1
35	1270 763 H91	.HARNESS, FRONT LIGHT	1	
36	1270 764 H91	.HARNESS, REAR LIGHT	1	
37	1277 385 H1	.BRACKET, REAR LIGHT	1	
38		.LIGHT, WORK (SEE PG 08-032)	3	
	931 830 R1	.BOLT, HEX - M8x20	3	
	931 841 R1	.BOLT, HEX - M8x50	3	
39	1281 358 H1	.BRACKET, FRONT LIGHTING	3	
40	145 705 H1	.GROMMET - 7/8	2	
41	164 694 H1	.GROMMET - 9/16	4	
42	561 926 C1	.CONNECTOR	2	
43	327 071 R1	.CLIP, WIRE	1	
	1270 464 H1	SEALANT, ELECTRIC - 4 OZ CONTAINER	1	GRAFO GREASE

F1 - PART NUMBER IS A NON-SERVICE PART AND IS LISTED FOR REFERENCE ONLY.
ORDER INDIVIDUAL PIECE PARTS.

ELECTRICAL

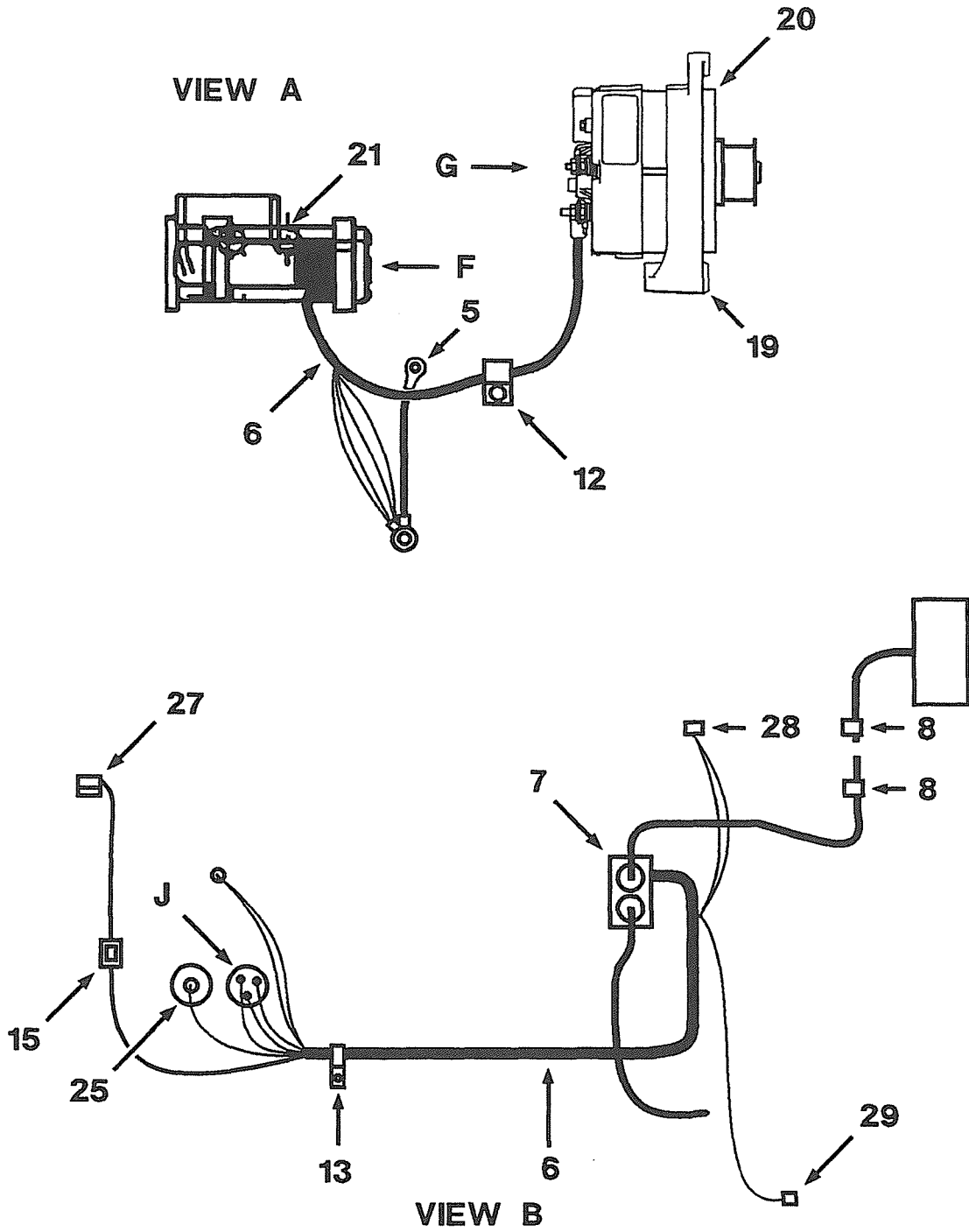
WIRING WITH ROPS CAB



C08AD036

ELECTRICAL

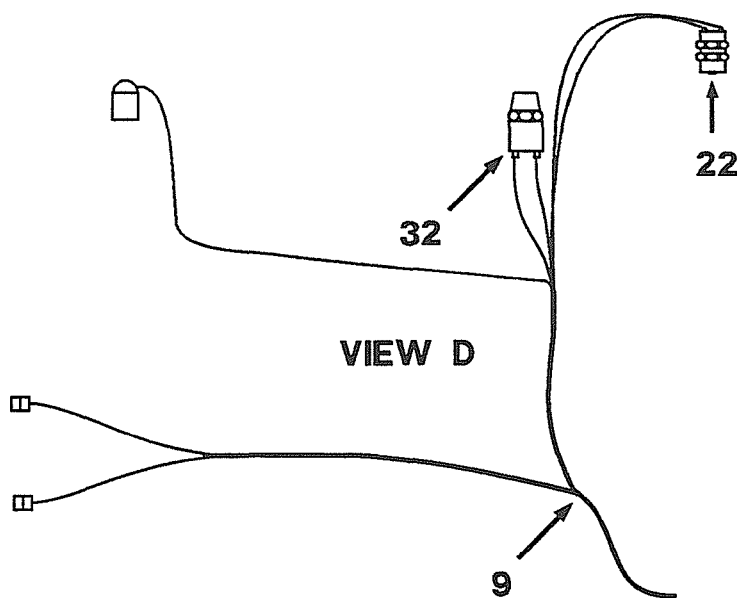
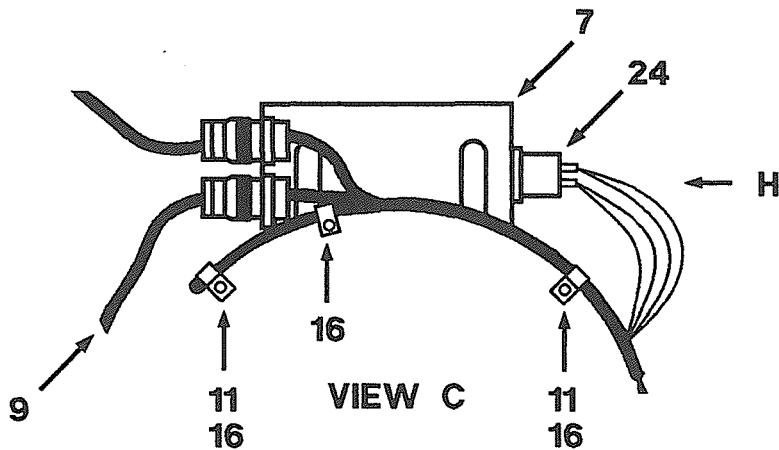
WIRING WITH ROPS CAB



CO8AD037

ELECTRICAL

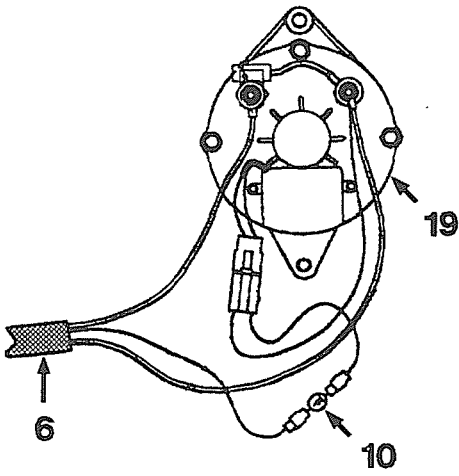
WIRING WITH ROPS CAB



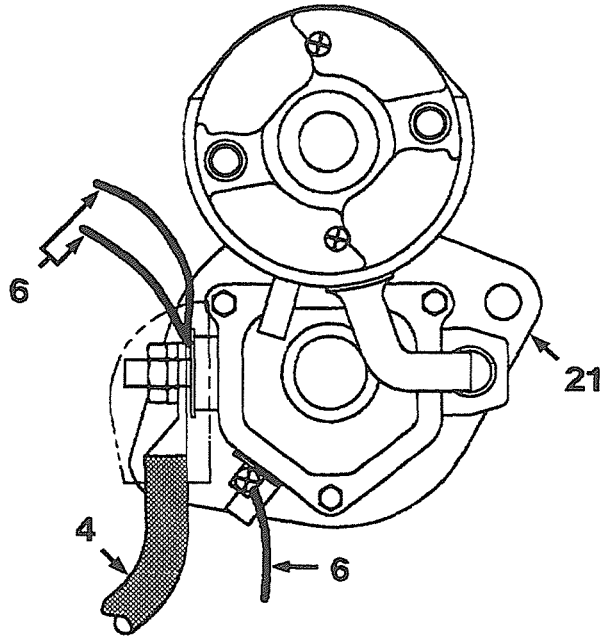
C08AD038

ELECTRICAL

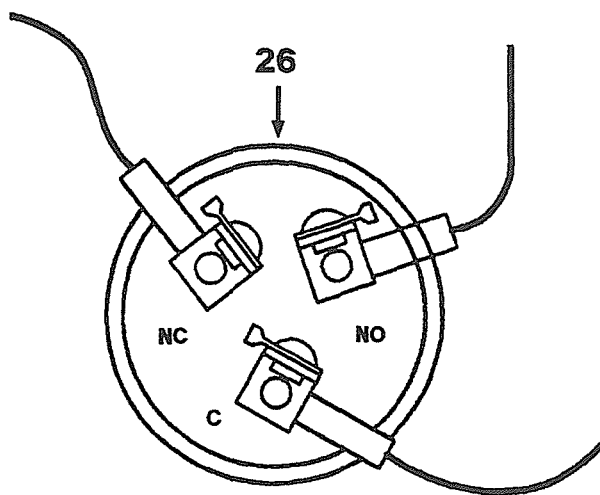
WIRING WITH ROPS CAB



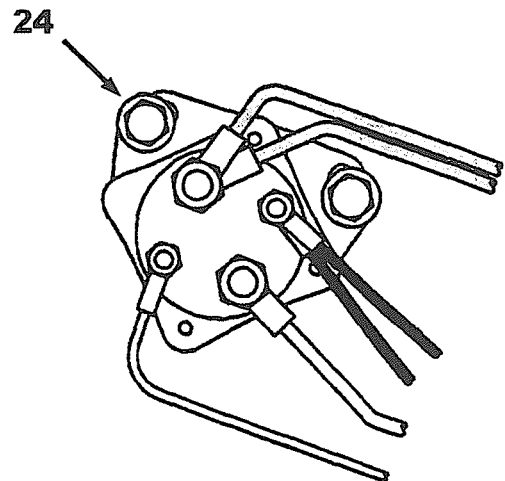
VIEW G



VIEW F



VIEW J



VIEW H

C08AD039

ELECTRICAL

WIRING WITH ROPS CAB

Item	Part Number	Description	Qty.	Ref.
1		BATTERY (SEE PG 08-018)	1	
	1311 349 H91	WIRING AND CLIPS	1	F1
2	1279 089 H1	.CABLE, MASTER SWITCH TO GROUND	1	
	180 120	.BOLT, HEX - 3/8NCx3/4	1	
	390 305 C1	.WASHER, FLAT - 3/8	1	
3	1270 760 H1	.CABLE, MASTER SWITCH TO BATTERY NEG.	1	
4	1270 790 H1	.CABLE, STARTER TO BATTERY POS	1	
5	183 039 H1	.CABLE, ENGINE TO GROUND	1	
	931 833 R1	.BOLT, HEX - M12x25	1	
	25 710 R1	.WASHER, FLAT - 1/2	1	
	180 122	.BOLT, HEX - 3/8NCx1	1	
	390 305 C1	.WASHER, FLAT - 3/8	1	
6	1311 329 H91	.HARNESS, MAIN ELECTRICAL	1	
7	1311 342 H1	.BRACKET, SUPPORT	1	
	30 041 R1	.BOLT, HEX - M12x25	2	
	30 177 R1	.WASHER, FLAT - M12	2	
8	301 272 C1	.CLIP, CLOSED	2	
	25 222 R1	.BOLT, HEX - 1/4NCx3/4	2	
	25 542 R1	.WASHER, FLAT - 1/4	2	
9	1306 802 H91	.HARNESS, REAR	1	
10	1236 341 H1	.DIODE	1	
11	299 566 C1	.CLIP, CLOSED	2	
12	299 614 C1	.CLIP, CLOSED	1	
	30 041 R1	.BOLT, HEX - M12x25	1	
	30 177 R1	.WASHER - M12	1	
13	299 615 C1	.CLIP, CLOSED	1	
14	299 400 C1	.CLIP, CLOSED	1	
	30 019 R1	.BOLT, HEX - M10x20	1	
	30 176 R1	.WASHER, FLAT - M10	1	
15	850 218 C1	.CLIP, CLOSED	1	
16	299 567 C1	.CLIP, CLOSED	3	
17	363 660 R1	.CLIP, CLOSED	2	
18	299 400 C1	.CLIP, CLOSED	1	
	1270 322 H91	ALTERNATOR AND CRANKING MOTOR	1	F1
19		.ALTERNATOR (SEE PG 08-030)	1	
	30 003 R1	.BOLT, HEX - M8x25	1	

CONTINUED ON NEXT PAGE

ELECTRICAL

WIRING WITH ROPS CAB

Item	Part Number	Description	Qty.	Ref.
	120 391	.WASHER, FLAT - #10	2	
20	1246 021 H1	.FAN, ALTERNATOR	1	
21		.MOTOR, CRANKING (SEE PG 08-026)	1	
	31 148 R1	.BOLT, HEX - M10x30	2	
	1311 026 H91	SENDERS AND SWITCHES	1	F1
22	621 771 C91	.SWITCH, NEUTRAL START	1	
	177 717 R1	.NUT, HEX - 3/4NF	1	
23	930 587 C4	.SWITCH, MASTER DISCONNECT	1	
	1214 890 H2	.KEY, DISCONNECT SWITCH	2	
24	1207 386 H2	.SWITCH, MAGNETIC	1	
	22 470 R1	.BOLT, HEX - 1/4NCx3/4	2	
	120 392	.WASHER, FLAT - 1/4	2	
	120 380	.WASHER, LOCK - 1/4	2	
	120 375	.NUT, HEX - 1/4NC	2	
	120 214	.WASHER, LOCK - 5/16	2	
	120 376	.NUT, HEX - 5/16	2	} TERMINAL
	120 217	.WASHER, LOCK - #10	2	} TERMINAL
	120 614	.NUT, HEX - #10-32	2	} TERMINAL
25	1311 303 H1	.SENDER, ENGINE OIL PRESSURE	1	
	417-01-A1630	.SEAL, O-RING	1	
	120 217	.WASHER, LOCK - #10	1	
	120 614	.NUT, HEX - #10-32	1	
26	1311 302 H1	.SWITCH, HOURMETER	1	
	417-01-A1630	.SEAL, O-RING	1	
27	1216 162 H1	.SENDER, ENGINE COOLANT TEMPERATURE	1	
28	739 985 C1	.SWITCH, AIR CLEANER FILTER	1	
29	1216 162 H1	.SENDER, TRANSMISSION TEMPERATURE	1	
30	1305 707 H1	.SENDER, FUEL	1	
	1280 602 H1	.BOLT, HEX - #10NFx1	5	
	120 391	.WASHER, LOCK - #10	5	
31	453 453 C1	.SWITCH, HORN	1	
31	627 670 C1	.SWITCH, HORN	1	} OPTIONAL
32	740 986 C2	.SWITCH, BACK UP ALARM	1	
	443 998	.ADAPTER, SWITCH	1	
	1270 270 H91	WARNING HORN	1	F1
33	739 716 C1	.HORN, WARNING	1	

CONTINUED ON NEXT PAGE

ELECTRICAL

WIRING WITH ROPS CAB

Item	Part Number	Description	Qty.	Ref.
	138 566	.WASHER, LOCK - 7/8	1	
	197 420 H2	.NUT, HEX - 7/8NF	1	
34	1278 276 H1	.BRACKET, MOUNTING	1	
	180 120	.BOLT, HEX - 3/8NCx3/4	2	
	390 305 C1	.WASHER, FLAT - 3/8	2	
	1270 464 H1	SEALANT, ELECTRIC - 4 OZ CONTAINER	1	GRAFO GREASE

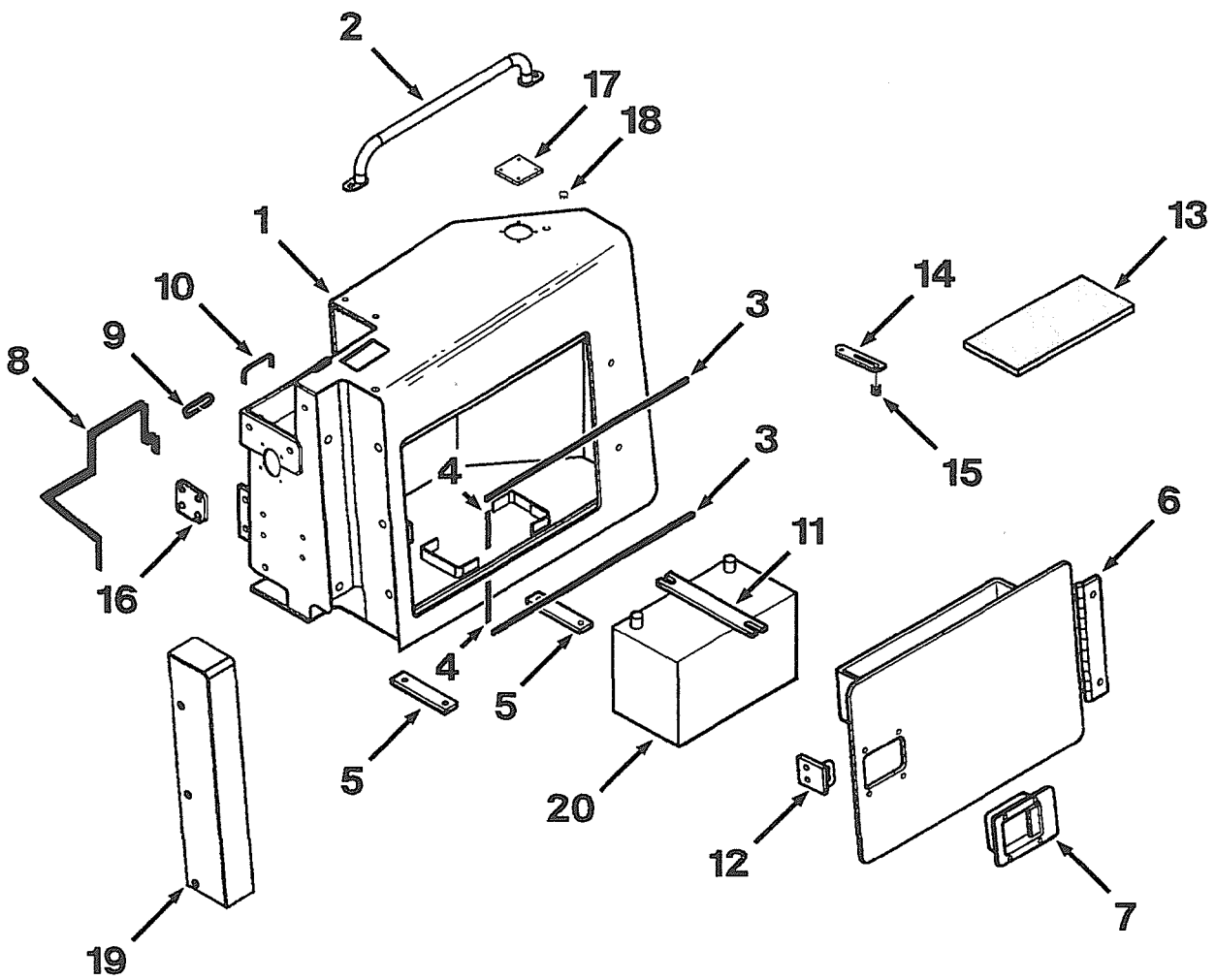
F1 - PART NUMBER IS A NON-SERVICE PART AND IS LISTED FOR REFERENCE ONLY.
ORDER INDIVIDUAL PIECE PARTS.

ELECTRICAL

MEMORANDA PAGE

ELECTRICAL

BATTERY AND MOUNTING WITH ROPS CANOPY



DCAB0025

ELECTRICAL

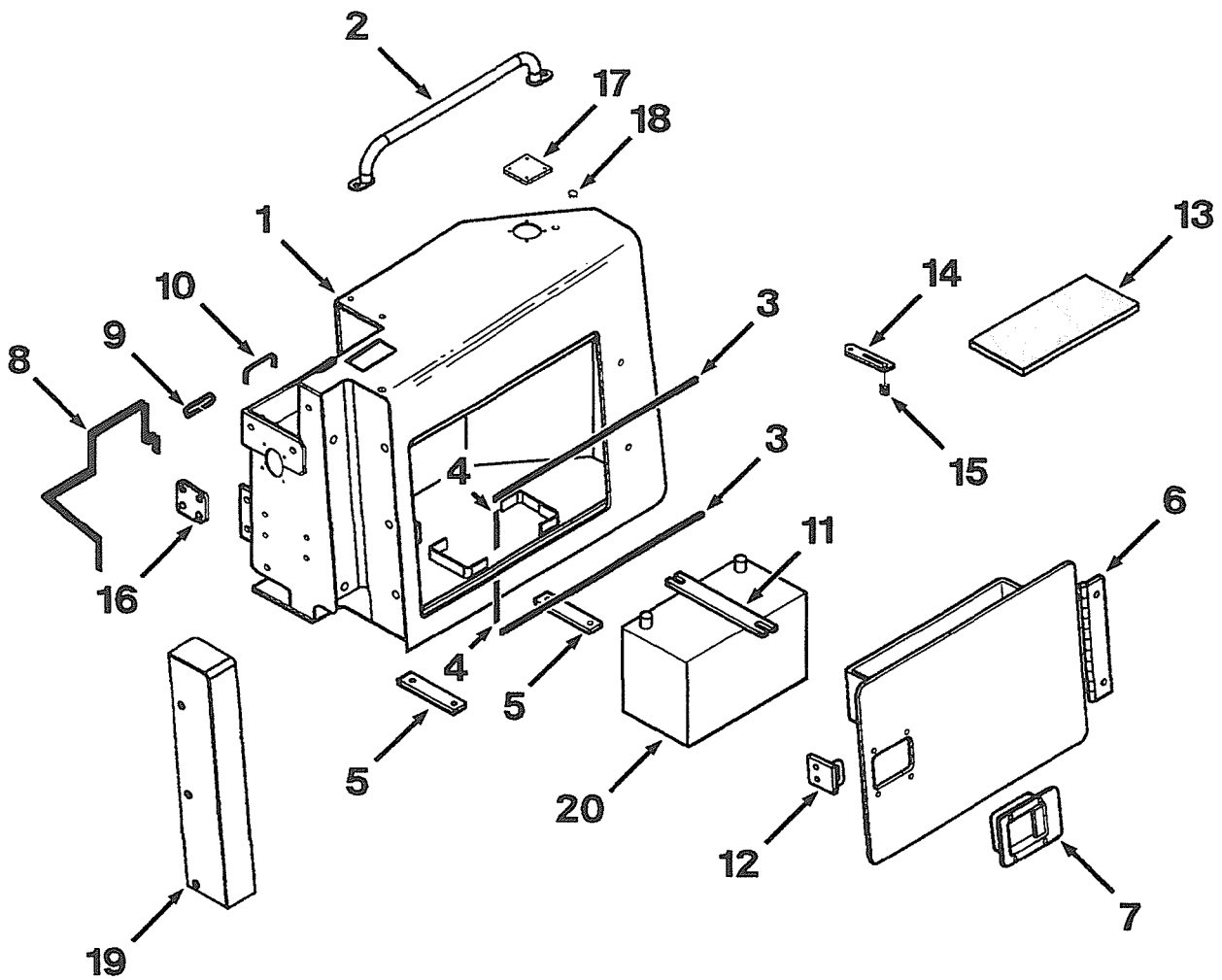
BATTERY AND MOUNTING WITH ROPS CANOPY

Item	Part Number	Description	Qty.	Ref.
	1300 677 H91	BATTERIES AND MOUNTING	1	F1
	1299 590 H91	.BOX ASSY, BATTERY	1	
1	NSS	..BOX, BATTERY	1	
2	1299 593 H91	..HANDLE, GRAB	1	
	24 839 R1	..BOLT, HEX - 3/8NCx3/4	2	
	25 534 R1	..WASHER, FLAT - 3/8	2	
3	1302 358 H1	..SEAL, TOP AND BOTTOM DOOR	2	
4	1286 678 H1	..SEAL, SIDE DOOR	2	
	157 313	..ADHESIVE, CONTACT	1	1 QUART
	24 875 R1	.BOLT, HEX - 5/8NCx2	4	
	25 537 R1	.WASHER, FLAT - 5/8	4	
5	1266 312 H1	.SHIM, MOUNTING	AR	
	1299 596 H91	.DOOR ASSY, BATTERY BOX	1	
6	NSS	..DOOR, BATTERY BOX	1	
7	1297 517 H91	..LATCH, DOOR	1	
	104 066	..RIVET, BUTTON HEAD - 3/16x3/8	4	
	24 839 R1	.BOLT, HEX - 3/8NCx3/4	2	
	25 534 R1	.WASHER, FLAT - 3/8	2	
8		.TRIM, FRONT INNER - 22 IN LONG	1	F2
9		.TRIM, MIDDLE INNER - 10 IN LONG	1	F2
10		.TRIM, REAR INNER - 8 IN LONG	1	F2
11	739 948 C1	.BAR, BATTERY HOLD DOWN	1	
	28 496 R1	.BOLT, HEX - 3/8NCx10	2	
	25 544 R1	.WASHER, FLAT - 3/8	2	
12	1298 876 H91	.STRIKER, DOOR	1	
	24 840 R1	.BOLT, HEX - 3/8NCx1	2	
	25 553 R1	.WASHER, FLAT - 3/8	2	
13	1302 399 H1	.PAD, RUBBER FOAM	1	
14	1308 809 H1	.LINK, HOLD OPEN	1	
	20 791 R1	.PIN, CLEVIS - 1/4x29/32	1	
	22 256 R1	.WASHER, FLAT - 9/32	1	
	103 361	.PIN, COTTER - 1/16x1/2	1	
15	1302 398 H1	.SPRING, RELEASE	1	
	23 840 R1	.PIN, CLEVIS - 5/16x1-3/16	1	
	120 393	.WASHER, FLAT - 5/16	2	
	119 117	.PIN, COTTER - 3/32x1/2	1	

CONTINUED ON NEXT PAGE

ELECTRICAL

BATTERY AND MOUNTING WITH ROPS CANOPY



DCAB0025

ELECTRICAL

BATTERY AND MOUNTING WITH ROPS CANOPY

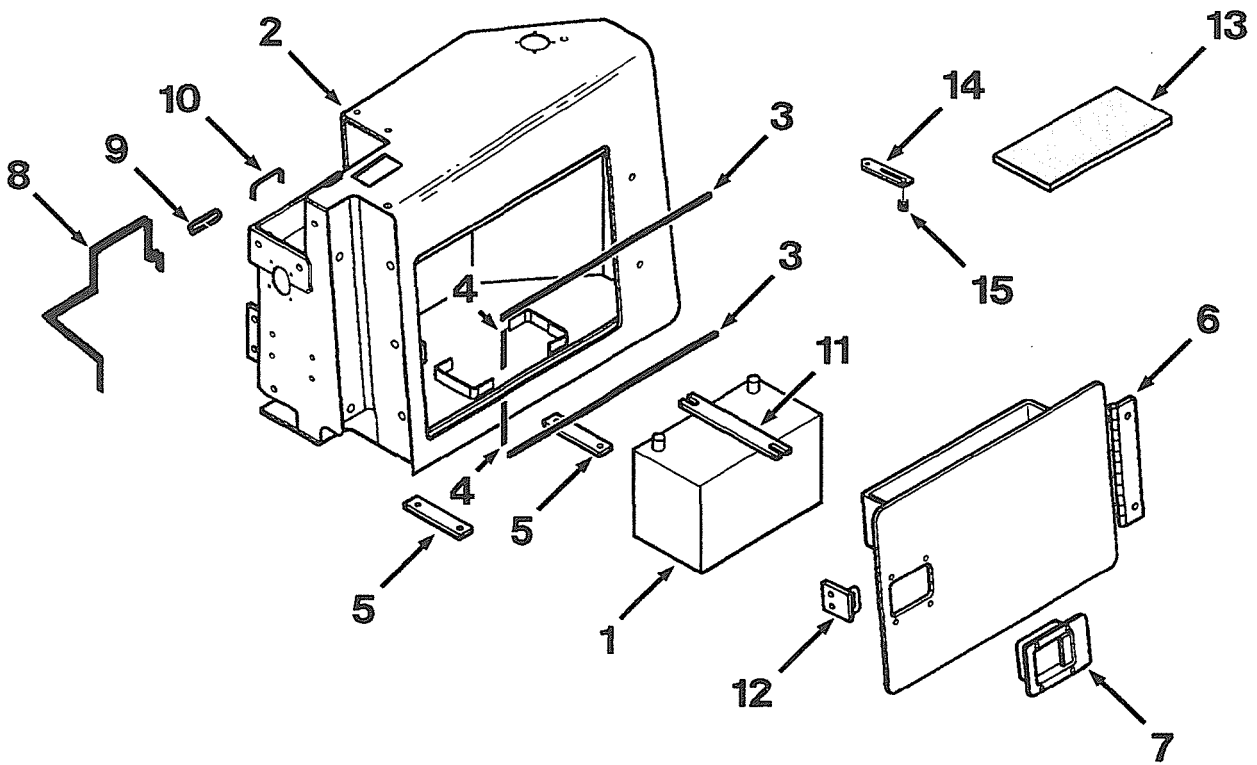
Item	Part Number	Description	Qty.	Ref.
16	1308 472 H1	.COVER, FRONT	1	
	145 373	.SCREW - #6x1/4	4	
17	1308 471 H91	.COVER, TOP	1	
	127 738	.SCREW - #10x3/8	4	
18	432 444	.PLUG, BUTTON	1	
19	1300 652 H91	COVER, LEFT	1	
	24 839 R1	BOLT, HEX - 3/8NCx3/4	5	
	25 534 R1	WASHER, FLAT - 3/8	5	
	<i>1270 274 H91</i>	<i>WARM START BATTERY</i>	1	F1
20	1269 028 H1	.BATTERY	1	
	476 074 C1	NUT, TERMINAL - 3/8NC	2	
	<i>1270 275 H91</i>	<i>COLD START BATTERY</i>	1	F1
20	1269 029 H1	.BATTERY	1	
	476 074 C1	NUT, TERMINAL - 3/8NC	2	
	1262 660 H1	TRIM, BULK EDGE	AR	

F1 - PART NUMBER IS A NON-SERVICE PART AND IS LISTED FOR REFERENCE ONLY.
ORDER INDIVIDUAL PIECE PARTS.

F2 - CUT REQUIRED LENGTH FROM BULK EDGE TRIM 1262 660 H1.

ELECTRICAL

BATTERY AND MOUNTING WITH ROPS CAB



DCAB0030

ELECTRICAL

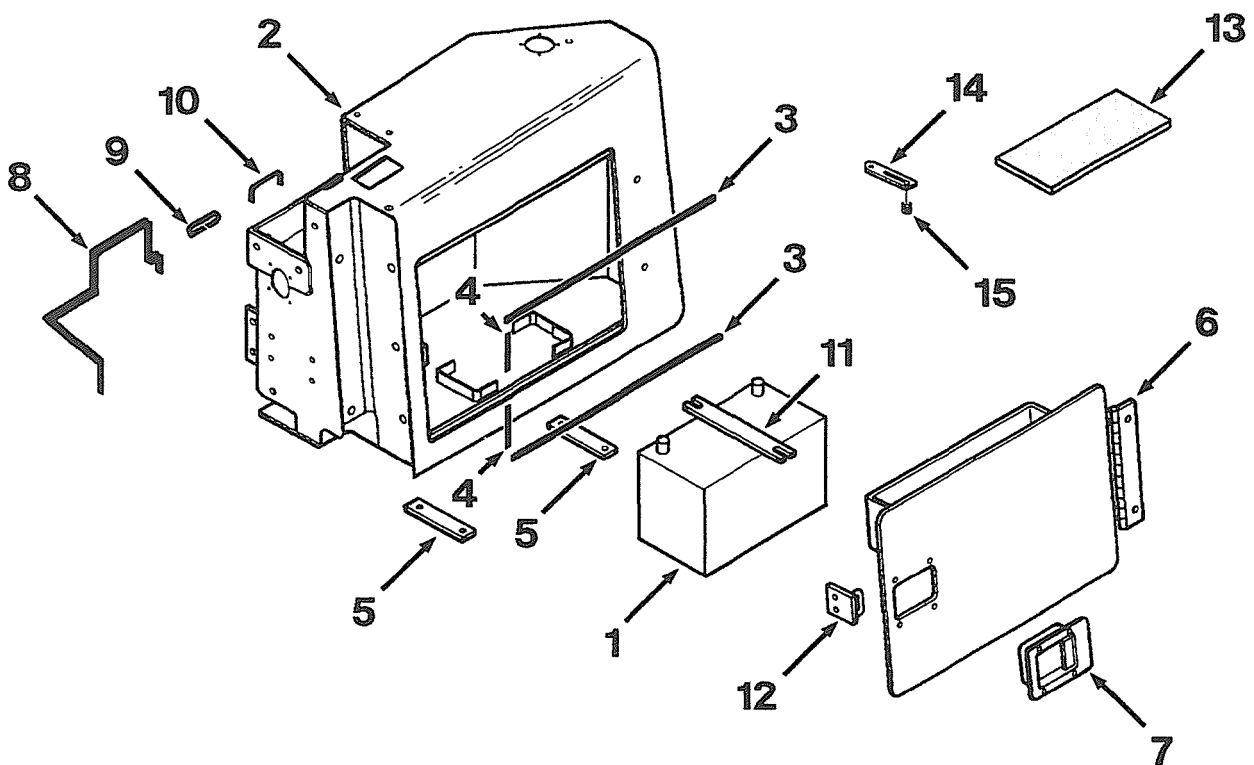
BATTERY AND MOUNTING WITH ROPS CAB

Item	Part Number	Description	Qty.	Ref.
	1270 274 H91	WARM START BATTERY	1	F1
1	1269 028 H1	.BATTERY	1	
	476 074 C1	NUT, TERMINAL - 3/8NC	2	
	1270 275 H91	COLD START BATTERY	1	F1
1	1269 029 H1	.BATTERY	1	
	476 074 C1	NUT, TERMINAL - 3/8NC	2	
	1299 590 H91	BOX ASSY, BATTERY	1	
2	NSS	.BOX, BATTERY	1	
3	1302 358 H1	.SEAL, TOP AND BOTTOM DOOR	2	
4	1286 678 H1	.SEAL, SIDE DOOR	2	
	157 313	.ADHESIVE, CONTACT	1	1 QUART
	24 875 R1	BOLT, HEX - 5/8NCx2	4	
	25 537 R1	WASHER, FLAT - 5/8	4	
5	1266 312 H1	SHIM, MOUNTING	AR	
	1299 596 H91	DOOR ASSY, BATTERY BOX	1	
6	NSS	.DOOR, BATTERY BOX	1	
7	1297 517 H91	.LATCH, DOOR	1	
	104 066	.RIVET, BUTTON HEAD - 3/16x3/8	4	
	24 839 R1	BOLT, HEX - 3/8NCx3/4	2	
	25 534 R1	WASHER, FLAT - 3/8	2	
8		TRIM, FRONT INNER - 22 IN LONG	1	F2
9		TRIM, MIDDLE INNER - 10 IN LONG	1	F2
10		TRIM, REAR INNER - 8 IN LONG	1	F2
11	739 948 C1	BAR, BATTERY HOLD DOWN	1	
	28 496 R1	BOLT, HEX - 3/8NCx10	2	
	25 544 R1	WASHER, FLAT - 3/8	2	
12	1298 876 H91	STRIKER, DOOR	1	
	24 840 R1	BOLT, HEX - 3/8NCx1	2	
	25 553 R1	WASHER, FLAT - 3/8	2	
13	1302 399 H1	PAD, RUBBER FOAM	1	
14	1308 809 H1	LINK, HOLD OPEN	1	
	20 791 R1	PIN, CLEVIS - 1/4x29/32	1	
	22 256 R1	WASHER, FLAT - 9/32	1	
	103 361	PIN, COTTER - 1/16x1/2	1	
15	1302 398 H1	SPRING, RELEASE	1	
	23 840 R1	PIN, CLEVIS - 5/16x1-3/16	1	

CONTINUED ON NEXT PAGE

ELECTRICAL

BATTERY AND MOUNTING WITH ROPS CAB



DCAB0030

ELECTRICAL

**BATTERY AND MOUNTING
WITH ROPS CAB**

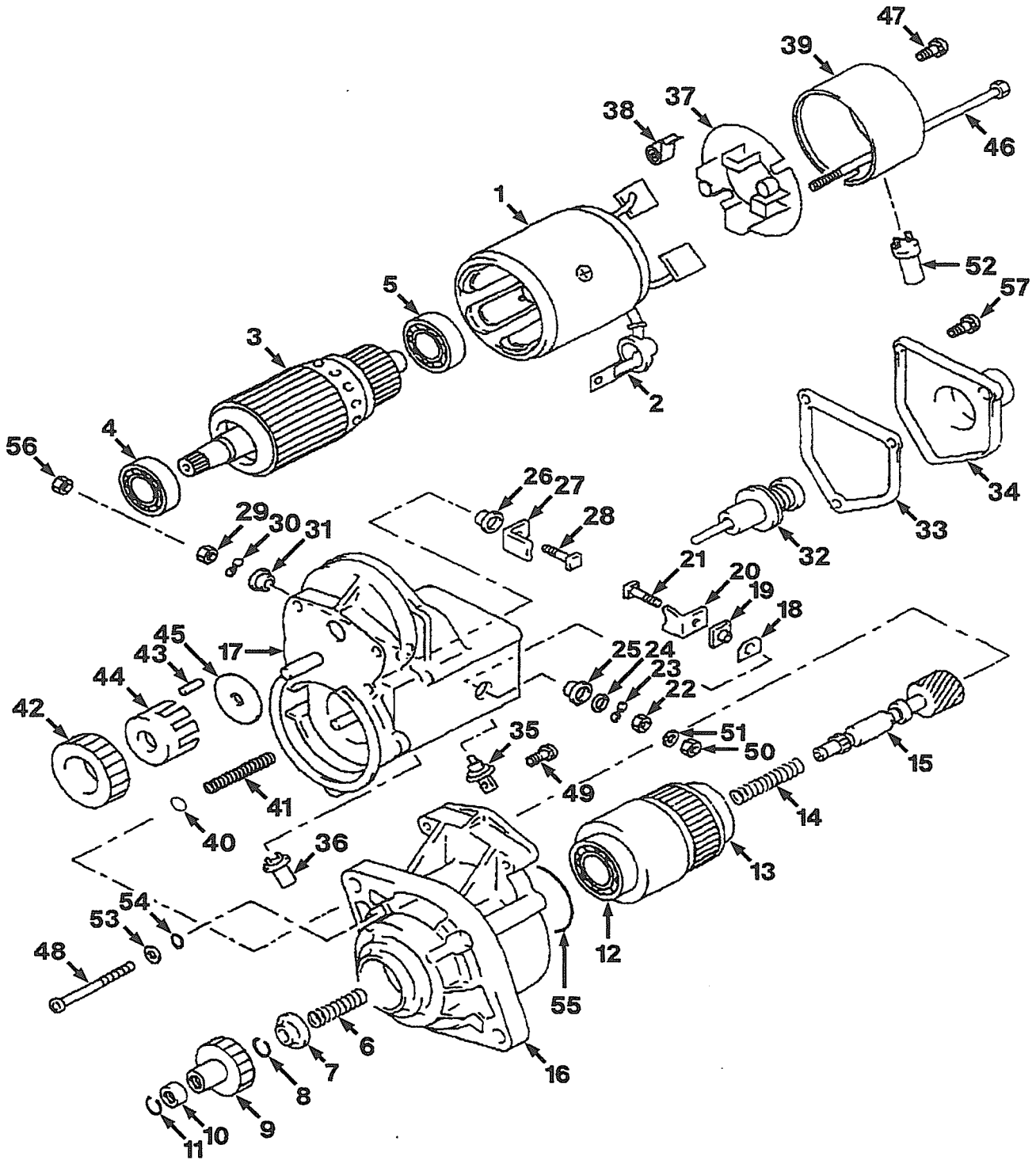
Item	Part Number	Description	Qty.	Ref.
	120 393	WASHER, FLAT - 5/16	2	
	119 117	PIN, COTTER - 3/32x1/2	1	
	1262 660 H1	TRIM, BULK EDGE	AR	

F1 - PART NUMBER IS A NON-SERVICE PART AND IS LISTED FOR REFERENCE ONLY.
ORDER INDIVIDUAL PIECE PARTS.

F2 - CUT REQUIRED LENGTH FROM BULK EDGE TRIM 1262 660 H1.

ELECTRICAL

CRANKING MOTOR NIPPON DENSO



C08AV095

ELECTRICAL

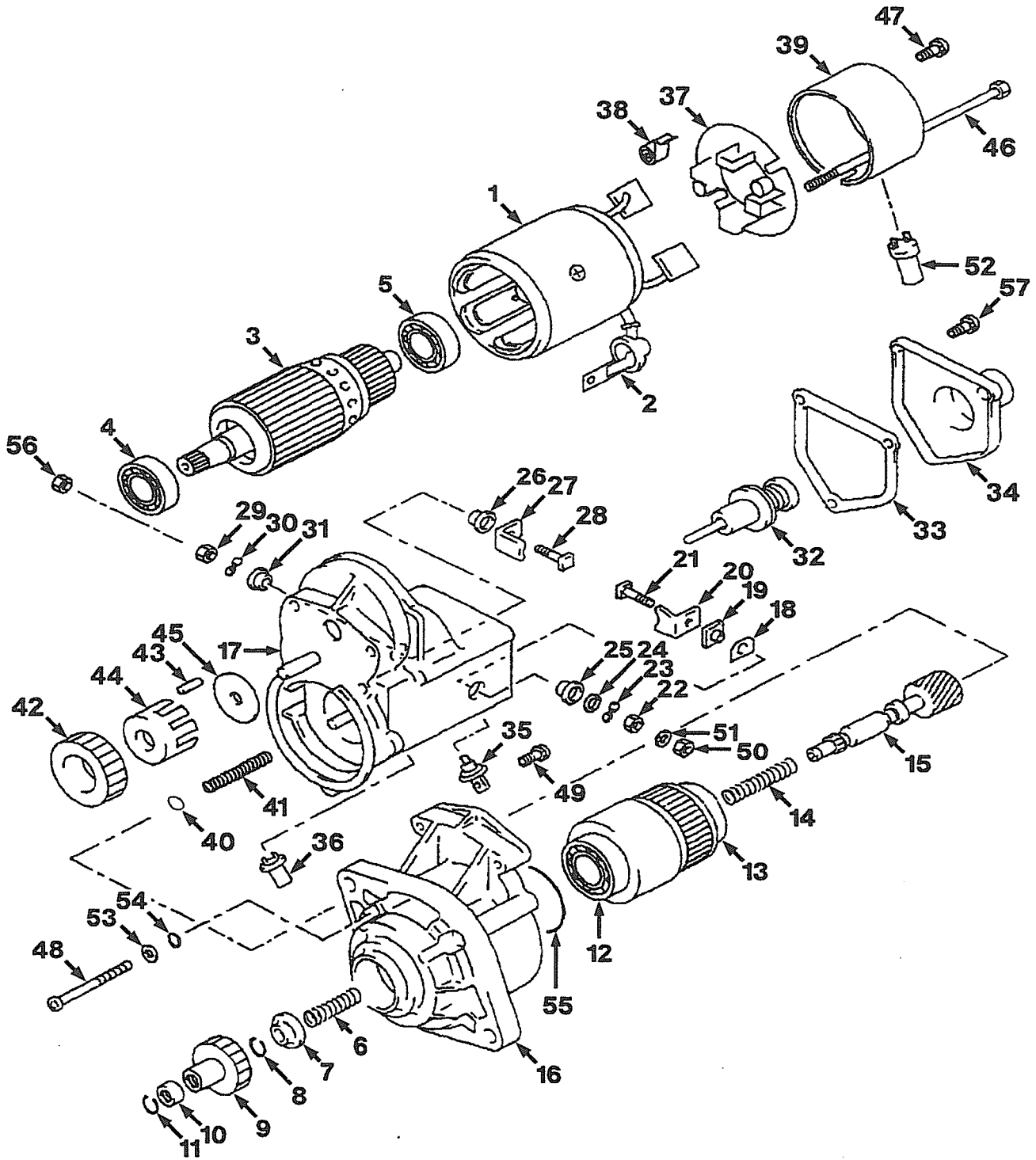
CRANKING MOTOR NIPPON DENSO

Item	Part Number	Description	Qty.	Ref.
	1308 066 H91	MOTOR ASSY, CRANKING	1	
1	1309 001 H91	.YOKE ASSY, STARTER	1	
2	1308 855 H1	.COVER	1	
3	1309 002 H91	.ARMATURE ASSY, STARTER	1	
4	1308 858 H1	.BEARING, BALL	1	
5	1308 859 H1	.BEARING, BALL	1	} OPTIONAL
5	1308 860 H1	.BEARING, BALL	1	
5	1308 861 H1	.BEARING, BALL	1	
	1309 003 H91	.CLUTCH SUB-ASSY, STARTER	1	
	1309 004 H1	..KIT, STARTER PINION	1	
6	NSS	...SPRING	1	
7	NSS	...STOP	1	
8	NSS	...RING, RETAINING	1	
9	NSS	...GEAR	1	
10	NSS	...BUSHING	1	
11	NSS	...RING, RETAINING	1	
12	1308 864 H1	..BEARING, FRONT BALL	1	
13	1308 865 H1	..BEARING, REAR BALL	1	
14	1308 866 H1	..SPRING, COMPRESSION COIL	1	
15	1308 867 H1	..SHAFT	1	
16	1309 005 H1	.HOUSING, STARTER	1	
17	1309 006 H91	.SWITCH ASSY, MAGNETIC	1	
	1309 007 H1	.KIT, TERMINAL M	1	
18	NSS	..NUT	1	
19	NSS	..INSULATOR	1	
20	NSS	..LOCK, BOLT	1	
21	NSS	..NUT	1	
22	NSS	..NUT	1	
23	NSS	..INSULATOR	1	
24	NSS	..RING	1	
25	NSS	..BUSHING	1	
	1308 870 H1	.KIT, TERMINAL C	1	
26	NSS	..BUSHING	1	
27	NSS	..LOCK, BOLT	1	
28	NSS	..BOLT	1	
29	NSS	..NUT	1	

CONTINUED ON NEXT PAGE

ELECTRICAL

CRANKING MOTOR NIPPON DENSO



C08AV095

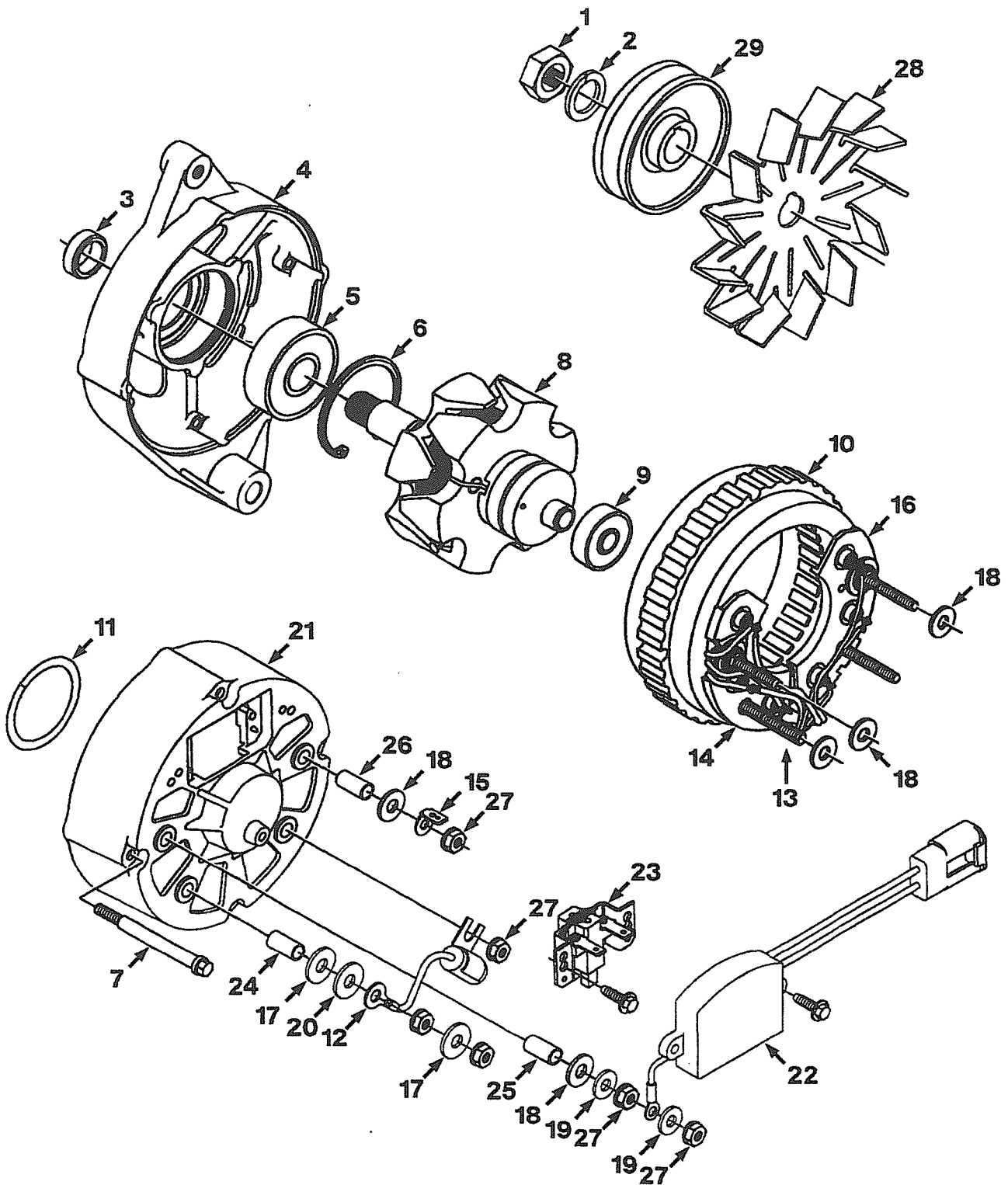
ELECTRICAL

CRANKING MOTOR NIPPON DENSO

Item	Part Number	Description	Qty.	Ref.
30	NSS	.INSULATOR	1	
31	NSS	.BUSHING	1	
32	1308 871 H1	.PLUNGER	1	
33	1308 872 H1	.GASKET, SWITCH	1	
34	1308 873 H1	.COVER, SOLENOID	1	
35	1308 874 H1	.BOLT, TERMINAL	1	
36	1308 875 H1	.BUSHING, DRAIN	1	
37	1308 876 H1	.HOLDER, BRUSH	1	
38	1308 877 H1	.SPRING, BRUSH	1	
39	1309 008 H1	.FRAME, END	1	
40	1308 879 H1	.BALL STEEL	1	
41	1308 880 H1	.SPRING, COIL	1	
42	1308 881 H1	.PINION	1	
43	1308 882 H1	.ROLLER, CLUTCH	5	
44	1308 883 H1	.RETAINER	1	
45	1308 884 H1	.RETAINER, RETAINING	1	
46	1309 009 H1	.BOLT, HEX - M6x181	2	
47	1308 889 H1	.SCREW WITH WASHER - M5x9.4	2	
48	1309 010 H1	.SCREW, MOUNTING - M6x50	3	
49	1308 892 H1	.SCREW WITH WASHER - M5x8	1	
50	1308 893 H1	.NUT, HEX - M10	1	
51	1308 894 H1	.WASHER, LOCK - M10	1	
52	1308 895 H1	.COVER	1	
53	1308 897 H1	.WASHER, PLATE	3	
54	1308 891 H1	.RING, SEAL	3	
55	1308 971 H1	.RING, SEAL	1	
56	1308 898 H1	.NUT, HEX - M10	1	
57	1308 960 H1	.BOLT W/WASHER	3	

ELECTRICAL

ALTERNATOR MODEL 8AR



CO8AZ076

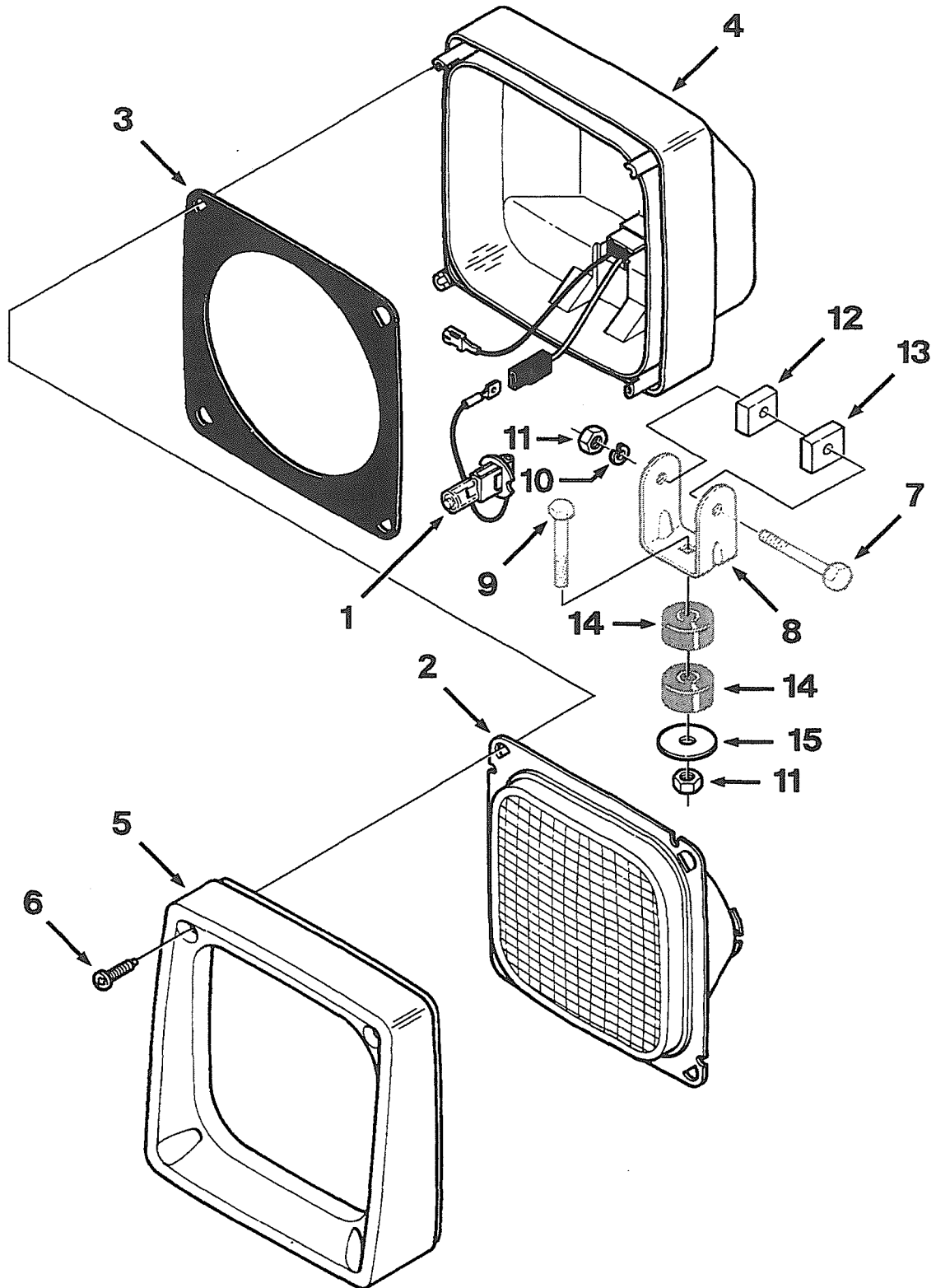
ELECTRICAL

ALTERNATOR MODEL 8AR

Item	Part Number	Description	Qty.	Ref.
	1302 375 H91	ALTERNATOR ASSY	1	
1		.NUT, LOCK	1	
2		.WASHER, LOCK	1	
3	1303 792 H1	.SPACER, FAN	1	
4	1303 793 H1	.HOUSING, FRONT	1	
5	1303 794 H1	.BEARING, FRONT	1	
6	1303 795 H1	.RETAINER, FRONT BEARING	1	
7	1303 791 H1	.BOLT, HEX - #10NCx3-5/16	4	
8	1303 796 H1	.ROTOR	1	
9	NSS	.BEARING, REAR	1	
10	1303 798 H1	.STATOR	1	
11	1303 797 H1	.RETAINER, REAR BEARING	1	
12		.CAPACITOR	1	
13	NSS	.TRIO, DIODE	1	
		.SCREW, MOUNTING	4	
14	1303 799 H1	.DIODE, POSITIVE RECTIFIER	1	
	1303 807 H1	.NUT, LOCK - M5	1	
15	1303 806 H1	.TERMINAL, RING	1	
16	1303 800 H1	.DIODE, NEGATIVE RECTIFIER	1	
17		.INSULATOR	2	
18	1303 802 H1	.INSULATOR	4	
19	1303 805 H1	.METAL, FLAT - #10	2	
20	1303 809 H1	.METAL, FLAT - 1/4x9/16	1	
21	1303 801 H1	.HOUSING, REAR	1	
22	1303 790 H1	.REGULATOR, VOLTAGE	1	
		.SCREW, MOUNTING - #8NCx1/2	2	
23	1303 789 H1	.BRUSH ASSY	1	
		.SCREW, MOUNTING - #8NCx1/2	2	
24	1303 808 H1	.INSULATOR, SLEEVE 1/4x1/2	1	
25	1303 803 H1	.INSULATOR, SLEEVE #10x1/3	1	
26	1303 804 H1	.INSULATOR, SLEEVE #10	1	
27	1303 807 H1	.NUT, LOCK - M5x1/8	5	
28		FAN, ALTERNATOR (SEE PG 08-002 OR 010)	1	
29		PULLEY, ALTERNATOR (SEE PG 12-108)	1	

ELECTRICAL

WORK LIGHT WITH ROPS CANOPY



C08BH009

ELECTRICAL

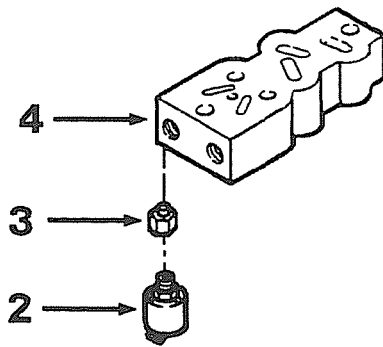
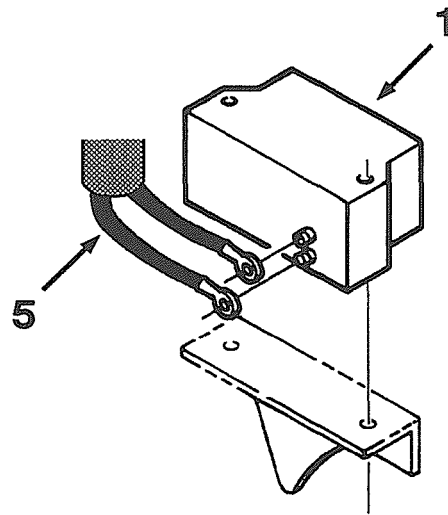
WORK LIGHT WITH ROPS CANOPY

Item	Part Number	Description	Qty.	Ref.
	1259 012 H92	LIGHT ASSY, WORK	3	
1	1211 794 H2	.BULB	1	
2	1252 780 H1	.REFLECTOR, LENS	1	
3	1252 781 H1	.GASKET	1	
4	NSS	.HOUSING	1	
5	1252 782 H1	.BEZEL	1	
6	1252 783 H1	.SCREW	4	
7	NSS	.BOLT	1	F1
8	NSS	.BRACKET	1	F1
9	NSS	.BOLT	1	F1
10	NSS	.WASHER, LOCK	2	
11	NSS	.NUT	2	
12	NSS	.SPACER, RUBBER	1	
	NSS	.SPACER, ZINC CROSS	1	
13	NSS	.SPACER, RUBBER	1	
	NSS	.SPACER, ZINC CROSS	1	
14	1253 070 H1	.DAMPNER, VIBRATION	2	F1
15	NSS	.WASHER	1	

F1 - PART OF WORK LIGHT, NOT USED IN THIS APPLICATION. (SEE PG 08-032).

ELECTRICAL

BACK UP ALARM



C08BR006

ELECTRICAL

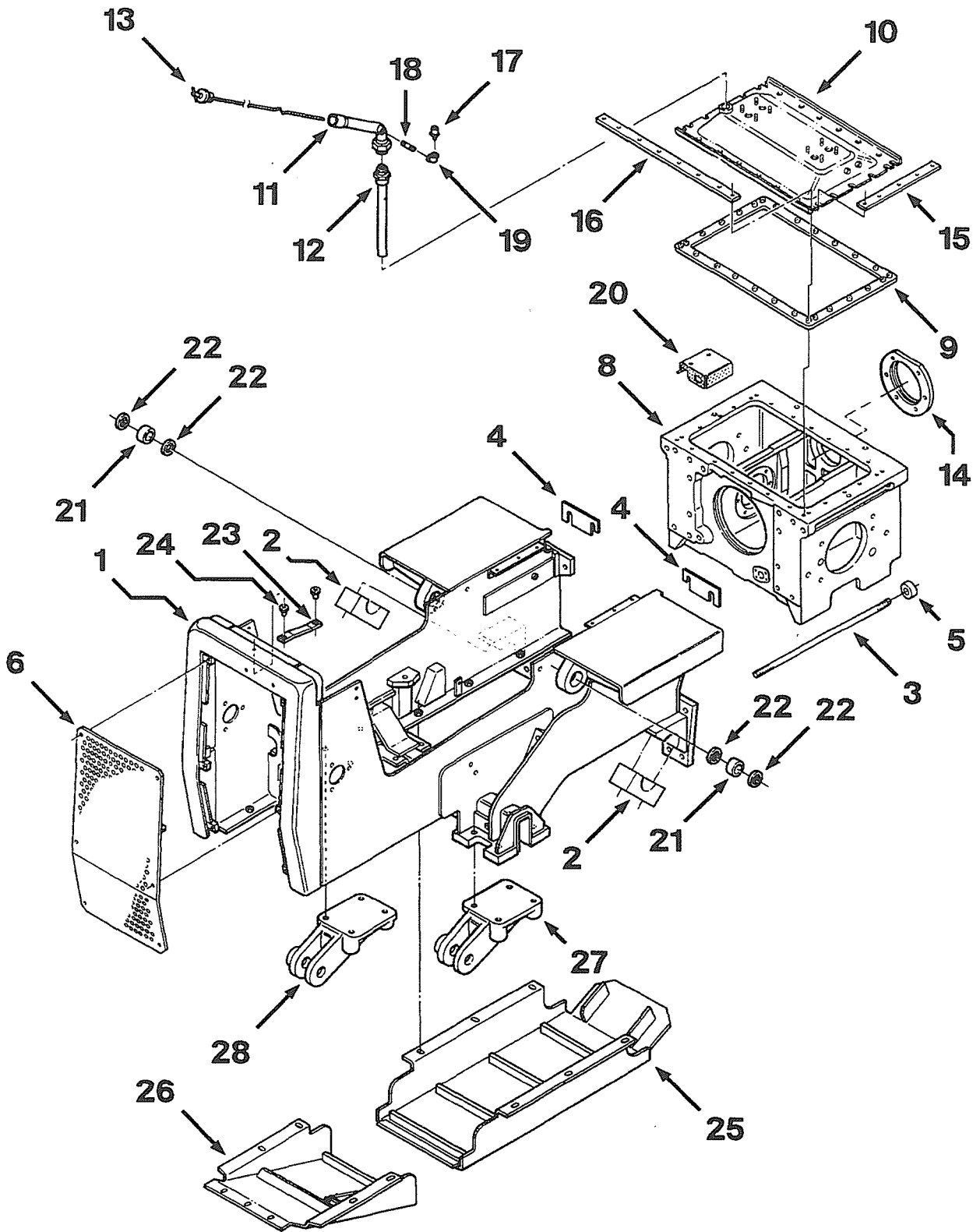
BACK UP ALARM

Item	Part Number	Description	Qty.	Ref.
	1270 272 H91	BACK UP ALARM	1	F1
1	737 188 C2	.ALARM, BACK UP	1	} OPTIONAL
1	736 131 C2	.ALARM, BACK UP	1	
	28 161 R1	.BOLT, HEX - 3/8NCx4-1/4	2	
	25 534 R1	.WASHER, FLAT - 3/8	2	
	120 382	.WASHER, LOCK - 3/8	2	
	120 377	.NUT, HEX - 3/8NC	1	
2	740 986 C2	SWITCH	1	
3	443 998	ADAPTER	1	
4		MANIFOLD, PILOT VALVE (SEE PG 07-042)	1	
5		HARNESS, WIRING (SEE PG 08-002 OR 010)	1	
	1270 464 H1	SEALANT, ELECTRIC - 4 OZ CONTAINER	1	GRAFO GREASE

F1 - PART NUMBER IS A NON-SERVICE PART AND IS LISTED FOR REFERENCE ONLY.
ORDER INDIVIDUAL PIECE PARTS.

FRAME

FRAMES AND CONNECTIONS



C09AH016

FRAME

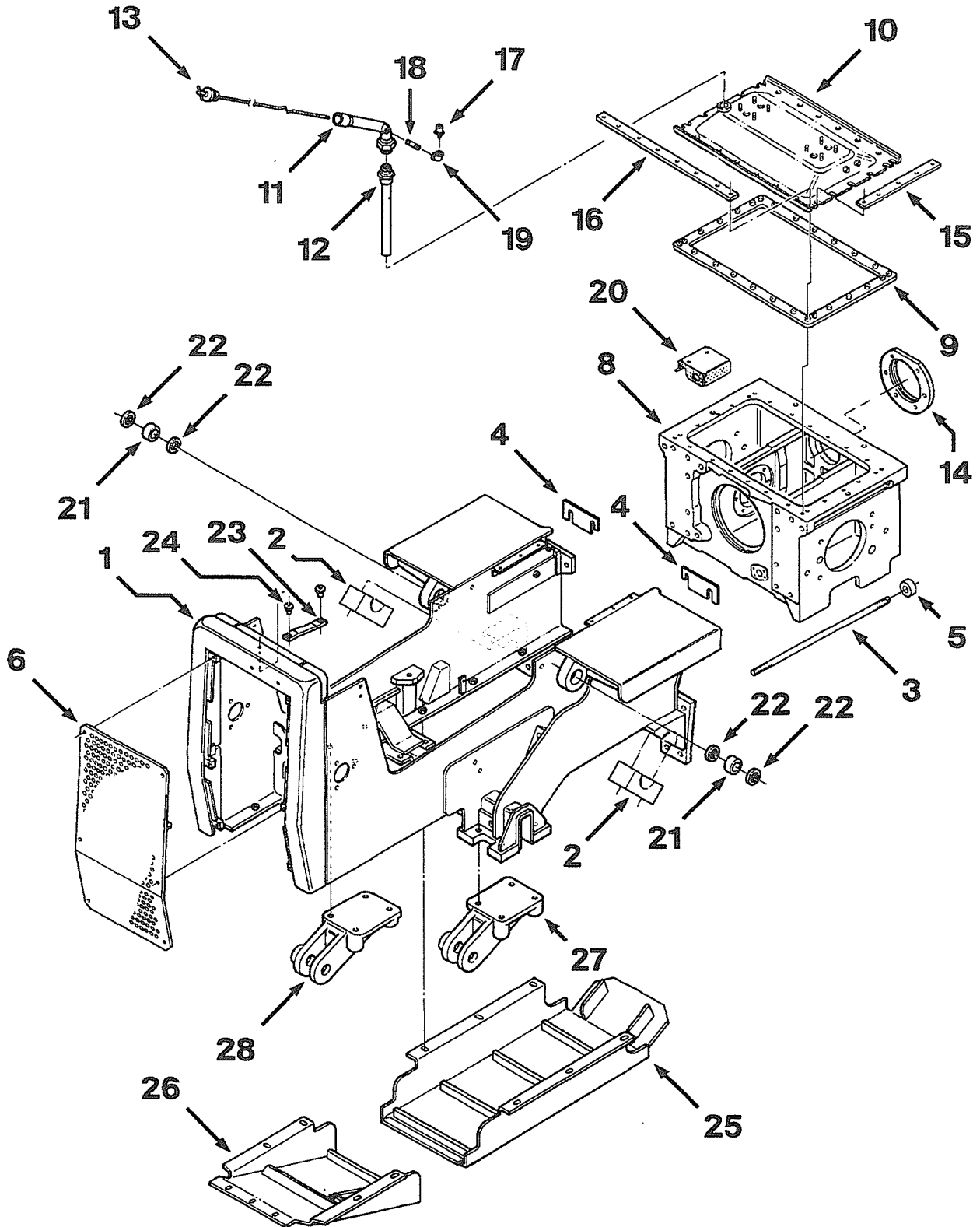
FRAMES AND CONNECTIONS

Item	Part Number	Description	Qty.	Ref.
	1302 696 H91	FRAME	1	F1
	1302 660 H91	.FRAME ASSY, FRONT	1	F2
1	NSS	..FRAME, FRONT	1	
2	NSS	..CAP, MOUNTING	2	
	26 720 R1	..BOLT, HEX - 1NCx5	4	
	25 540 R1	..WASHER, FLAT - 1	4	
	25 740 R1	.BOLT, HEX - 7/8NCx2-3/4	6	
	25 910 R1	.BOLT, HEX - 7/8NCx3-1/4	2	
	25 760 R1	.BOLT, HEX - 7/8NCx3-1/2	2	
	622 015 C1	.BOLT, SAFETY - 7/8NCx5	2	
	277 606 R1	.WASHER, FLAT - 29/64	10	
	25 530 R1	.NUT, HEX - 7/8NC	2	
3	1261 705 H1	.BAR, TIE	2	
	341 811 R1	.WASHER, FLAT	2	
	25 762 R1	.NUT, HEX - 1-1/8NC	2	
4	1262 805 H1	.SHIM, MOUNTING - 0.060 IN	AR	
	1262 806 H1	.SHIM, MOUNTING - 0.030 IN	AR	
	1262 807 H1	.SHIM, MOUNTING - 0.015 IN	AR	
5	620 862 C1	.SPACER, TIE BAR	2	
6	1257 927 H91	.DOOR, RADIATOR	1	
	26 317 R1	.BOLT, HEX - 1/2NCx1-1/4	6	
	25 546 R1	.WASHER, FLAT - 1/2	6	
	308 872 R1	.CLIP, CLOSED	1	
	24 839 R1	.BOLT, HEX - 3/8NCx3/4	1	
	25 544 R1	.WASHER, FLAT - 3/8	1	
8		.FRAME, REAR (SEE PG 09-006)	1	
9	717 260 C1	.GASKET WITH SPACERS, COVER	1	
10	710 892 C1	.COVER, REAR FRAME	1	
	24 841 R1	.BOLT, HEX - 3/8NCx1-1/2	25	
	25 543 R1	.WASHER, FLAT - 3/8	25	
11	1281 074 H91	.TUBE, UPPER FILLER	1	
12	1281 072 H91	.TUBE, LOWER FILLER	1	
13	1281 725 H1	.DIPSTICK	1	
14	733 040 C2	.PLATE, PTO COVER	1	
	26 957 R1	.BOLT, HEX - 5/8NCx1	6	
	259 190 R1	.RING, COVER SEAL	1	

CONTINUED ON NEXT PAGE

FRAME

FRAMES AND CONNECTIONS



C09AH016

FRAME

FRAMES AND CONNECTIONS

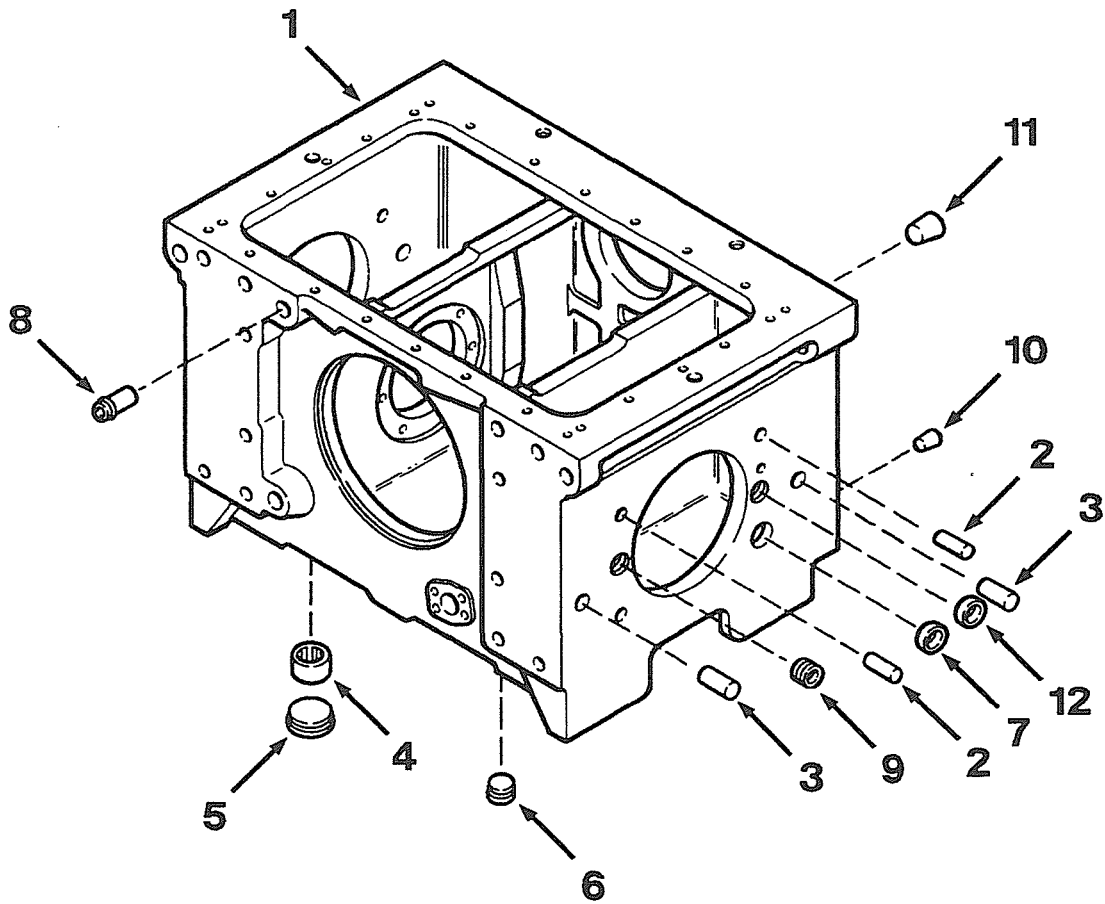
Item	Part Number	Description	Qty.	Ref.
15	621 575 C1	.STIFFENER, SIDE	2	
16	621 576 C1	.STIFFENER, FRONT OR BACK	2	
17	662 250 C1	.BREATHER, REAR FRAME	1	} OPTIONAL
17	666 156 C1	.BREATHER, REAR FRAME	1	
18	105 407	.NIPPLE, PIPE	1	
19	105 413	.ELBOW - 90°	1	
20	706 443 C2	.BAFFLE, REAR FRAME SUMP	1	
	27 879 R1	.BOLT, HEX - 1/2NCx3/4	2	
	25 536 R1	.WASHER, FLAT - 1/2	2	
21	1268 300 H1	.BEARING, NON-LUBE	2	
22	1268 301 H1	.SEAL, PIN	4	
23	1284 563 H1	.LINK, RADIATOR	1	
	140 483 H	.BOLT, HEX - 3/8NCx1-1/4	2	
	178 372 R1	.WASHER, FLAT - 13/32	4	
24	625 875 C1	.MOUNT, SHOCK	2	
25		GUARD, TRANSMISSION (SEE PG 09-008)	1	
26		GUARD, CRANKCASE (SEE PG 09-008)	1	
27		TRUNNION, LEFT (SEE PG 17-002 OR 004)	1	
28		TRUNNION, RIGHT (SEE PG 17-002 OR 004)	1	
	1300 139 H1	ADHESIVE, RMF COVER - 1 QT CONTAINER	1	

F1 - PART NUMBER IS A NON-SERVICE PART AND IS LISTED FOR REFERENCE ONLY.
ORDER INDIVIDUAL PIECE PARTS.

F2 - SERVICE PART WILL BE AVAILABLE ON SPECIAL ORDER WITH THE CLEARANCE
OF THE **ENGINEERING DEPARTMENT**. PRODUCT IDENTIFICATION NUMBER (PIN)
MUST BE FURNISHED WHEN ORDERING. ORDER ON MACHINE ORDER FORM.

FRAME

REAR MAIN FRAME



C09AM004

FRAME

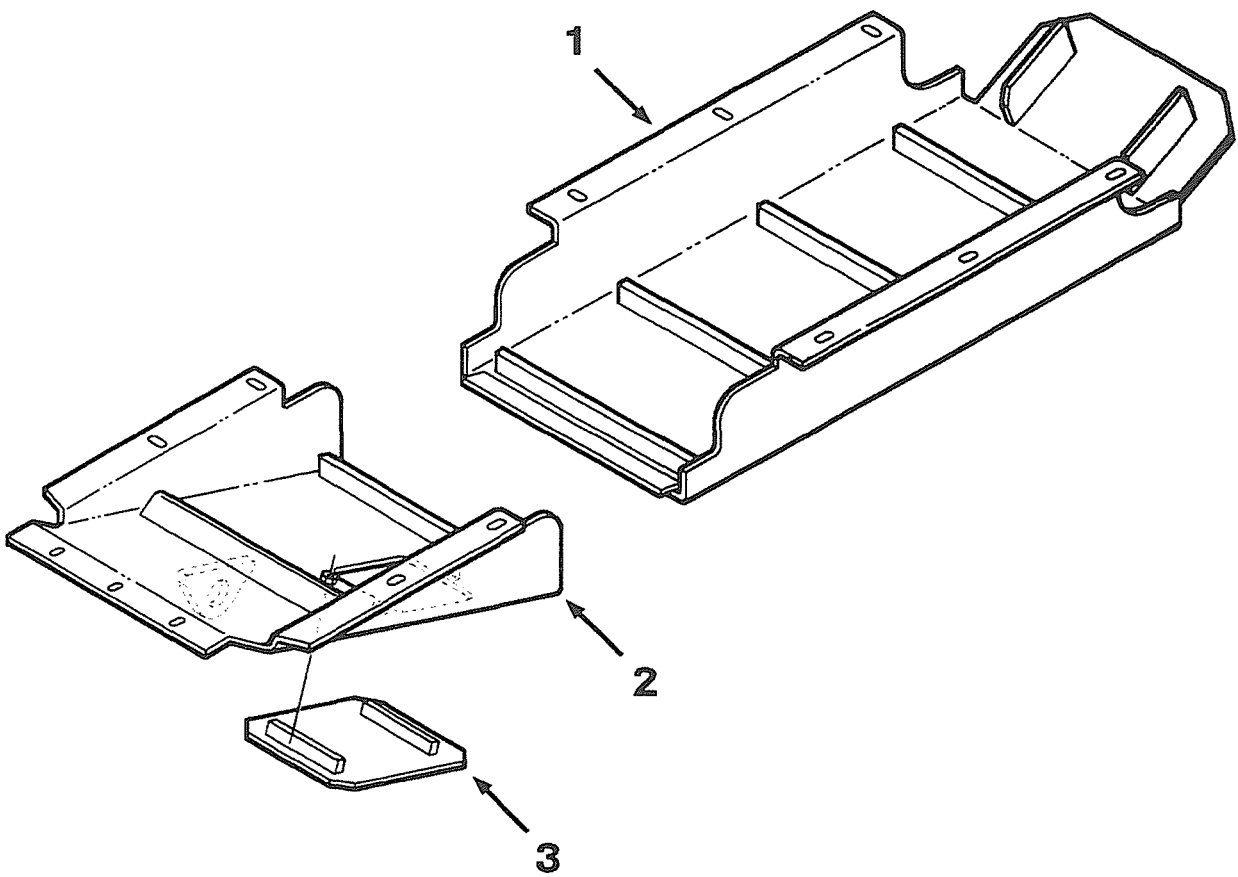
REAR MAIN FRAME

Item	Part Number	Description	Qty.	Ref.
	706 173 C92	FRAME ASSY, REAR MAIN	1	F1
1	NSS	.FRAME, REAR MAIN	1	
2	621 546 C1	.DOWEL, SHOE	8	
3	621 547 C1	.DOWEL, FINAL DRIVE	4	
4	621 090 C91	.BEARING, NEEDLE	4	
5	613 908 C1	.PLUG, PIPE	4	
6	271 647 R1	.PLUG, DRAIN	1	
7	601 093 C1	.PLUG, CUP	2	
8	652 817 C1	.TUBE, BRAKE ROD	1	
9	621 549 C1	.INSERT, ADJUSTING BOLT	2	
10	104 942	.PLUG, CORK - #6	AR	
11	117 926	.PLUG, CORK - #12	AR	
12	23 624 R1	.PLUG, CUP	4	

F1 - SERVICE PART WILL BE AVAILABLE ON SPECIAL ORDER WITH THE CLEARANCE OF THE **ENGINEERING DEPARTMENT**. PRODUCT IDENTIFICATION NUMBER (PIN) MUST BE FURNISHED WHEN ORDERING. ORDER ON MACHINE ORDER FORM.

FRAME

CRANKCASE AND TRANSMISSION GUARDS



C09BD004

FRAME

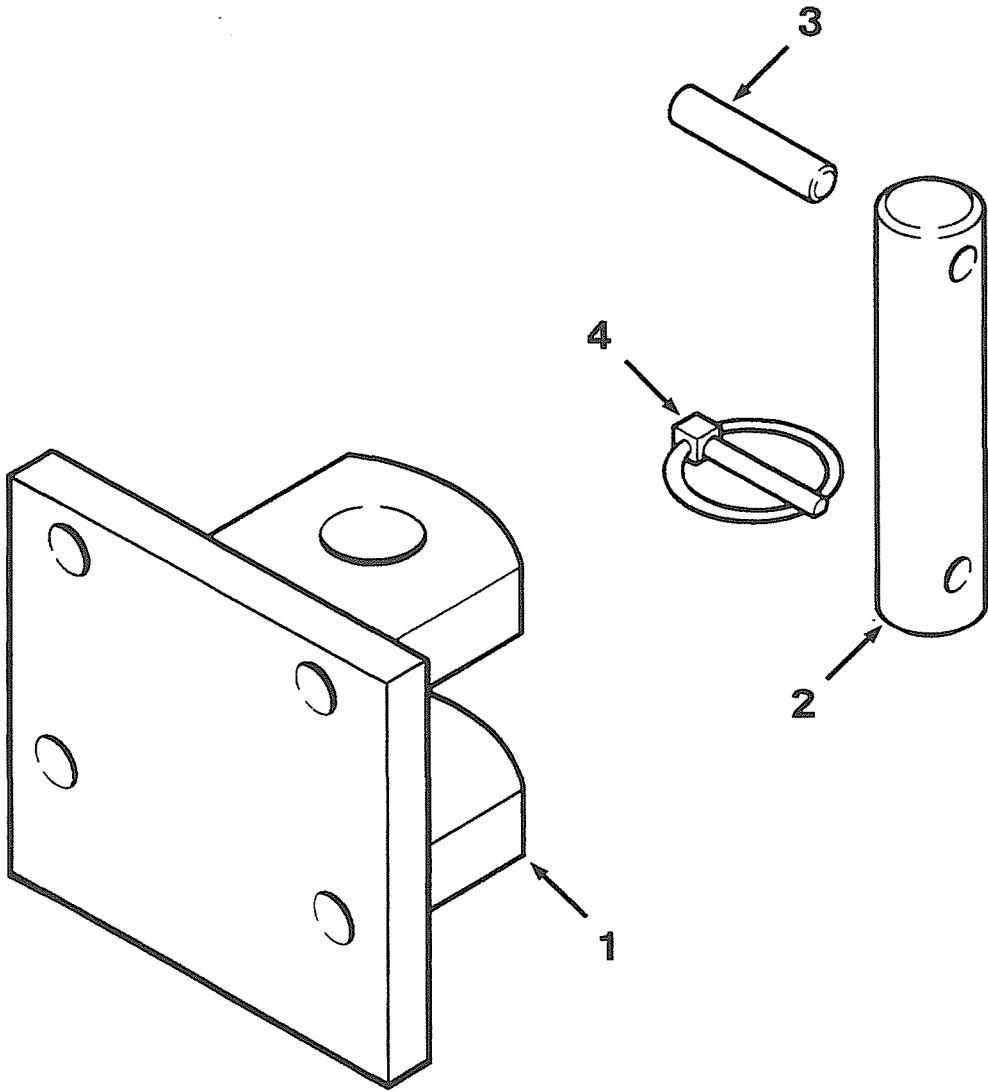
CRANKCASE AND TRANSMISSION GUARDS

Item	Part Number	Description	Qty.	Ref.
	1268 580 H91	CRANKCASE AND TRANSMISSION GUARD	1	F1
1	1257 895 H91	.GUARD, TRANSMISSION	1	
	26 317 R1	.BOLT, HEX - 1/2NCx1-1/4	6	
	25 546 R1	.WASHER, FLAT - 1/2	6	
2	1258 779 H91	.GUARD, CRANKCASE	1	
	26 317 R1	.BOLT, HEX - 1/2NCx1-1/4	7	
	25 546 R1	.WASHER, FLAT - 1/2	7	
3	1251 236 H91	.COVER, OIL PAN DRAIN	1	
	26 311 R1	.BOLT, HEX - 3/8NCx1-1/4	3	
	25 544 R1	.WASHER, FLAT - 3/8	3	

F1 - PART NUMBER IS A NON-SERVICE PART AND IS LISTED FOR REFERENCE ONLY.
ORDER INDIVIDUAL PIECE PARTS.

FRAME

RIGID DRAWBAR



C09AR004

FRAME

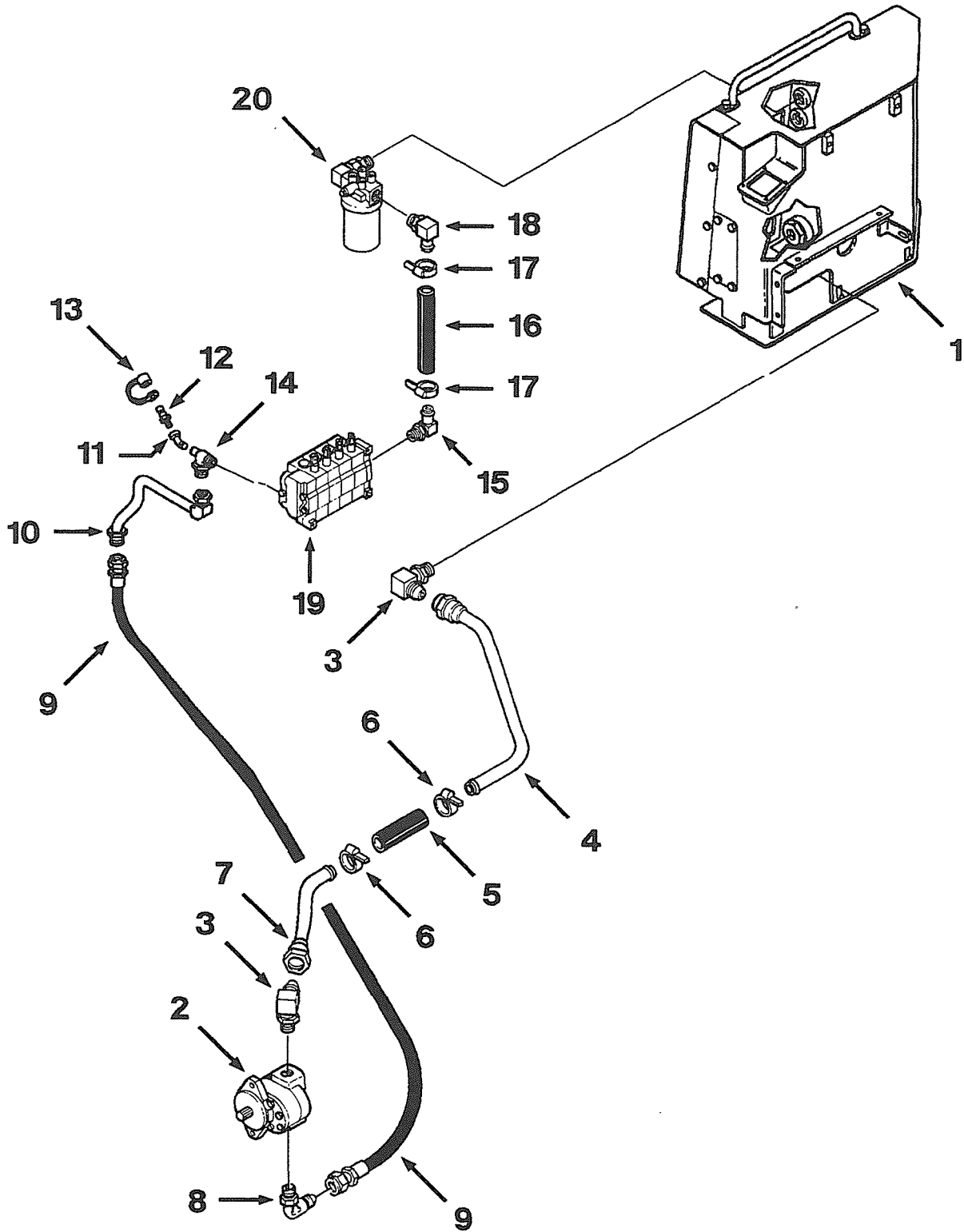
RIGID DRAWBAR

Item	Part Number	Description	Qty.	Ref.
	621 786 C91	RIGID DRAWBAR	1	F1
1	621 018 C1	.DRAWBAR	1	
	24 889 R1	.BOLT, HEX - 3/4NCx2-1/4	4	
	25 538 R1	.WASHER, FLAT - 3/4	4	
2	621 005 C1	.PIN, CLEVIS	1	
3	19 998 R1	.PIN, SPRING - 1/2x2-1/2	1	
4	621 006 C1	.PIN, QUICK ATTACHING	1	

F1 - PART NUMBER IS A NON-SERVICE PART AND IS LISTED FOR REFERENCE ONLY.
ORDER INDIVIDUAL PIECE PARTS.

HYDRAULICS

HYDRAULIC PIPING RESERVOIR TO PUMP TO CONTROL VALVE



C10AD017

HYDRAULICS

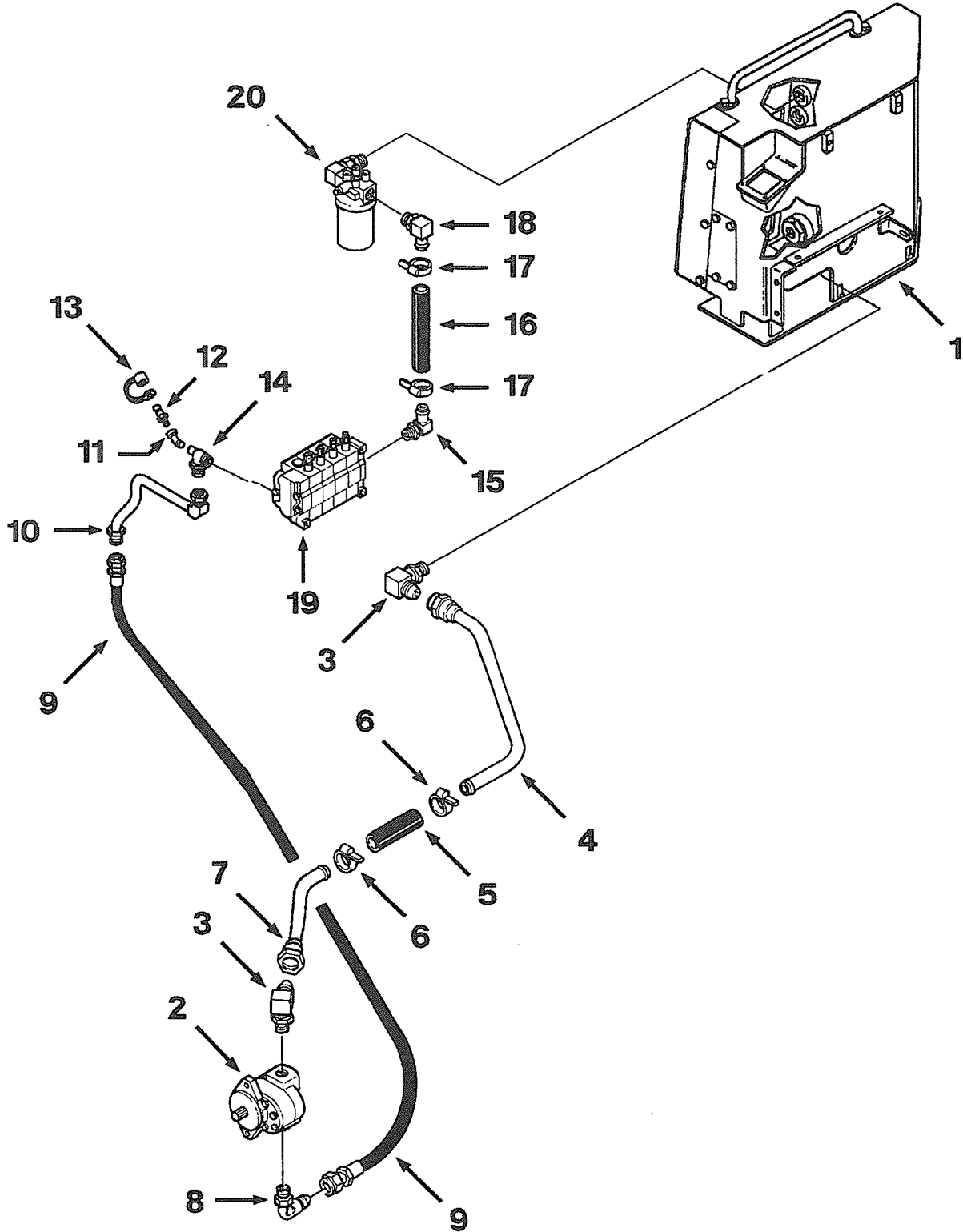
HYDRAULIC PIPING RESERVOIR TO PUMP TO CONTROL VALVE

Item	Part Number	Description	Qty.	Ref.
1		RESERVOIR, HYDRAULIC (SEE PG 10-020 OR 024)	1	
	24 875 R1	BOLT, HEX - 5/8NCx2	4	
	25 537 R1	WASHER, FLAT - 5/8	4	
2		PUMP, EQUIPMENT (SEE PG 10-032)	1	
	25 506 R1	BOLT, HEX - 1/2NCx1-5/8	2	
	25 536 R1	WASHER, FLAT - 1/2	2	
	468 339 R1	RING, SEAL - PUMP	1	
	1299 598 H91	MAIN PUMP PIPING	1	F1
3	9410 982	.ELBOW - 90°	2	
	307 915 R1	.RING, SEAL	2	
4	1270 980 H1	.TUBE, SUCTION	1	
5		.HOSE, SUCTION - 4 IN LONG	1	F2
6	681 896 C1	.CLAMP, HOSE	2	
7	1299 329 H1	.TUBE, SUCTION	1	
8	150 776 C91	.ELBOW - 90°	1	
	296 247 R1	.RING, SEAL	1	
9	129 967 H1	.HOSE, PUMP OUTLET	1	
10	1299 325 H1	.TUBE, VALVE INLET	1	
	322 499 R1	.CLIP, TUBE	1	
	24 840 R1	.BOLT, HEX - 3/8NCx1	1	
	25 534 R1	.WASHER, FLAT - 3/8	1	
11	9409 929	.ELBOW - 45°	1	
12	161 849	.QUICK DISCONNECT	1	
13	162 144	.CAP, DUST	1	
14	1299 326 H1	.ELBOW - 90°	1	
	368 269 R1	.RING, SEAL	1	
15	157 159	.INSERT	1	
	368 269 R1	.RING, SEAL	1	
16		.HOSE, RETURN - 8.5 IN LONG	1	F3
17	681 896 C1	.CLAMP, HOSE	2	
18	391 806 R1	.ELBOW, FILTER INLET - 90°	1	
	296 247 R1	.RING, SEAL	1	
19		VALVE, 3 SPOOL CONTROL (SEE PG 10-044)	1	
	26 269 R1	BOLT, HEX - 5/16NCx2-3/4	3	
	25 533 R1	WASHER, FLAT - 5/16	3	
19		VALVE, 4 SPOOL CONTROL (SEE PG 10-046)	1	

CONTINUED ON NEXT PAGE

HYDRAULICS

HYDRAULIC PIPING RESERVOIR TO PUMP TO CONTROL VALVE



C10AD017

HYDRAULICS

HYDRAULIC PIPING RESERVOIR TO PUMP TO CONTROL VALVE

Item	Part Number	Description	Qty. Ref.
	26 269 R1	BOLT, HEX - 5/16NCx2-3/4	3
	25 533 R1	WASHER, FLAT - 5/16	3
20		FILTER, EQUIPMENT (SEE PG 10-030)	1
	306 132 C2	STRAP, TIE	AR
	706 844 C1	HOSE, BULK - 1.25 IN ID	AR
	706 843 C1	HOSE, BULK - 1 IN ID	AR

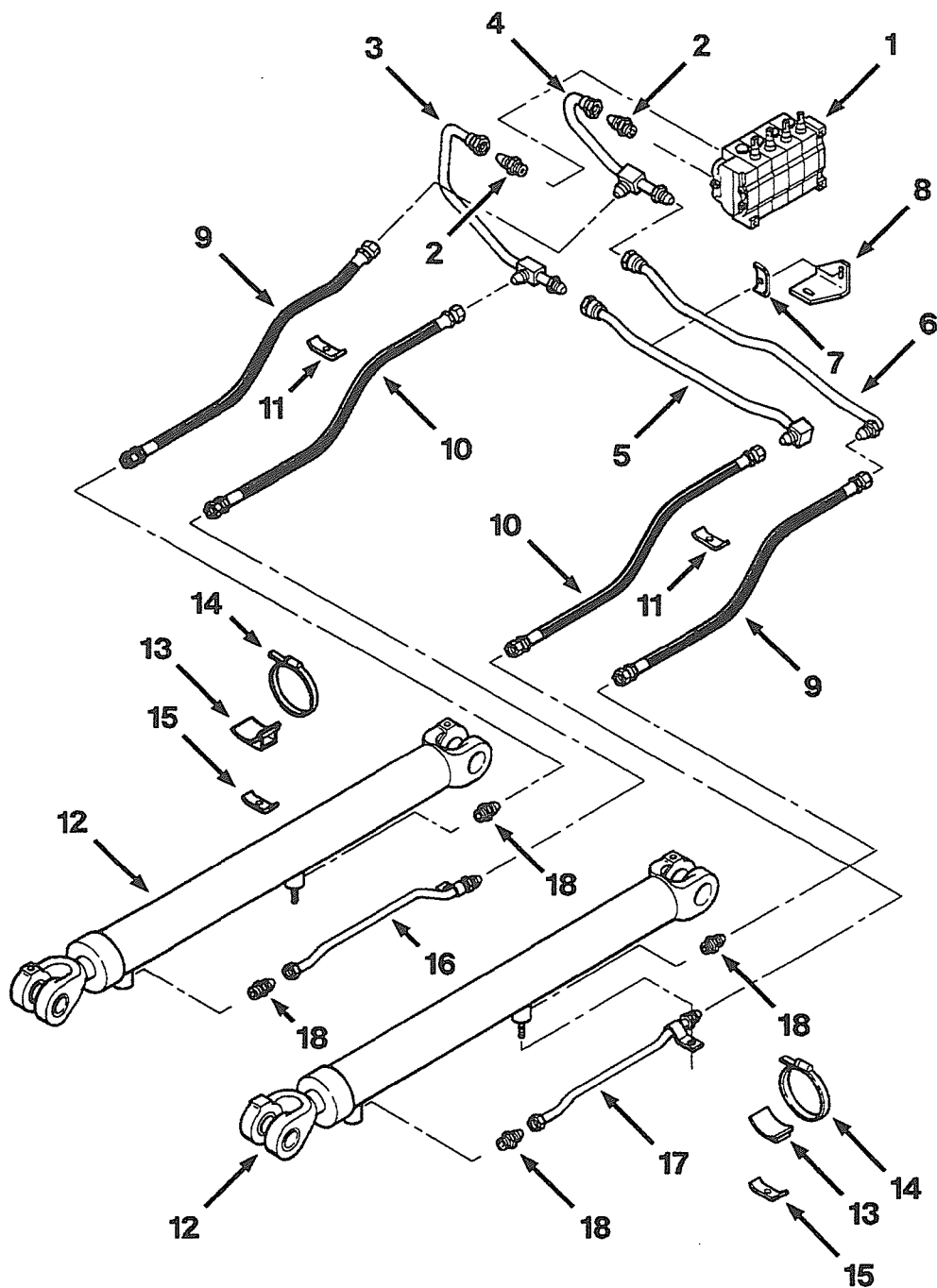
F1 - PART NUMBER IS A NON-SERVICE PART AND IS LISTED FOR REFERENCE ONLY.
ORDER INDIVIDUAL PIECE PARTS.

F2 - CUT REQUIRED LENGTH FROM BULK HOSE 706 844 C1.

F3 - CUT REQUIRED LENGTH FROM BULK HOSE 706 843 C1.

HYDRAULICS

HYDRAULIC PIPING BLADE LIFT



C10AH015

HYDRAULICS

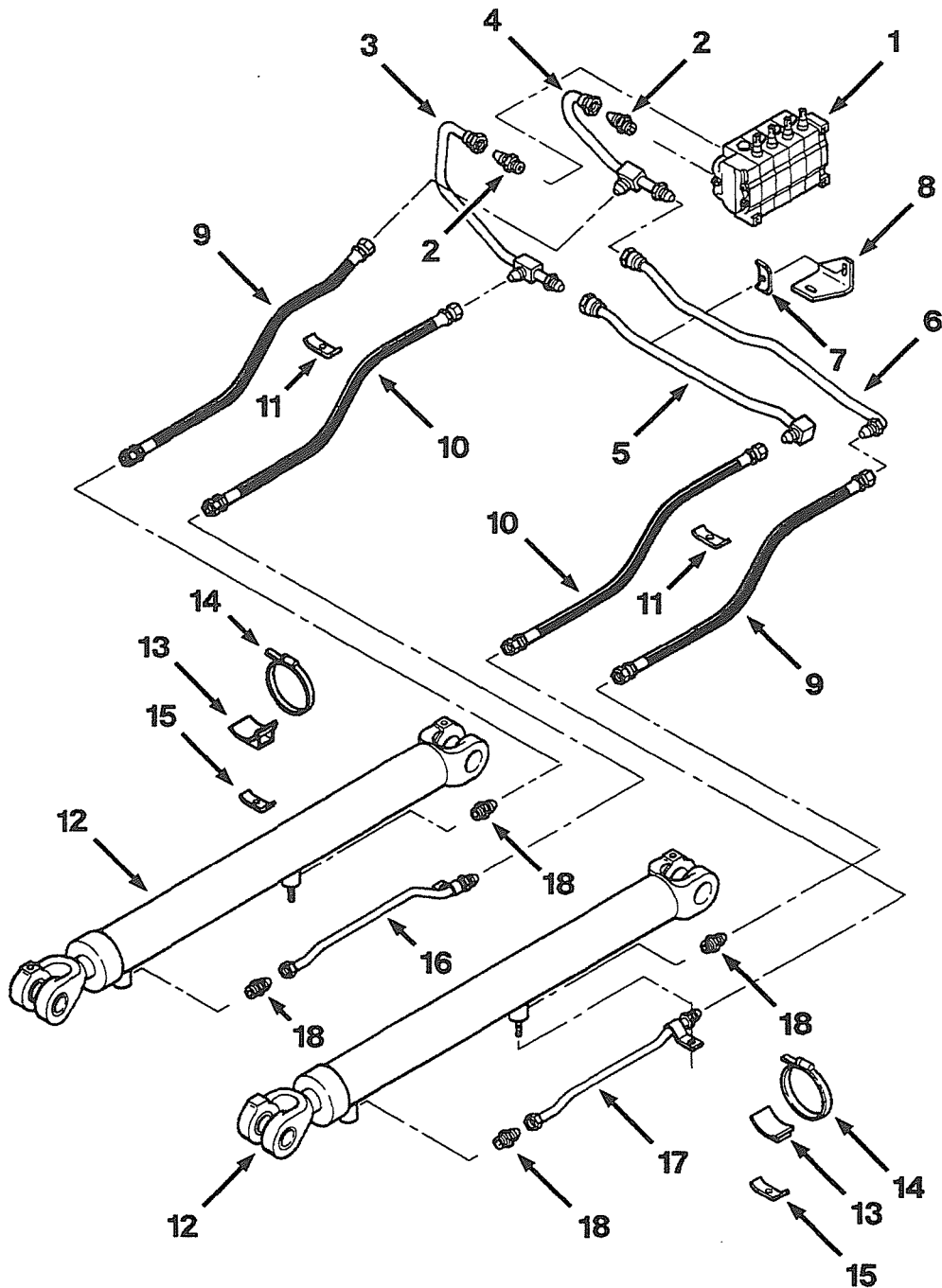
HYDRAULIC PIPING BLADE LIFT

Item	Part Number	Description	Qty.	Ref.
1		VALVE, THREE SPOOL CONTROL (SEE PG 10-044)	1	
1		VALVE, FOUR SPOOL CONTROL (SEE PG 10-046)	1	
2	9410 204	CONNECTOR	2	
	364 885 R1	RING, SEAL	2	
	1285 292 H1	VENT, ORIFICE - 0.281 IN - TOP PORT ROD END	1	
3	1271 300 H1	TUBE, ROD END	1	
4	1271 301 H1	TUBE, HEAD END	1	
5	1271 302 H1	TUBE, ROD END CROSSOVER	1	
6	1271 303 H1	TUBE, HEAD END CROSSOVER	1	
7	653 171 C1	CLAMP, TUBE	1	
	140 483 H	BOLT, HEX - 3/8NCx1-1/4	1	
	25 544 R1	WASHER, FLAT - 3/8	1	
8	1271 310 H1	BRACKET, SUPPORT	1	
9	1271 349 H1	HOSE, HEAD END	2	
10	1271 349 H1	HOSE, ROD END	2	
11	653 171 C1	CLAMP, HOSE	2	
	24 843 R1	BOLT, HEX - 3/8NCx2	2	
	25 553 R1	WASHER, FLAT - 3/8	2	
	25 544 R1	WASHER, FLAT - 3/8	2	
	26 241 H	SPACER, CLAMP	2	
12		CYLINDER, LIFT (SEE PG 10-064)	2	
13	1277 346 H91	BRACKET, TUBE	2	
14	689 475 C1	CLAMP, HOSE	2	
15	653 171 C1	CLAMP, HOSE	2	
	24 842 R1	BOLT, HEX - 3/8NCx1-3/4	2	
	25 553 R1	WASHER, FLAT - 3/8	2	
	25 544 R1	WASHER, FLAT - 3/8	2	
	26 241 H	SPACER, CLAMP	2	
16	1277 460 H91	TUBE, RIGHT ROD END	1	
	25 553 R1	WASHER, FLAT - 3/8	2	
	25 522 R1	NUT, HEX - 3/8NC	1	
17	1277 461 H91	TUBE, LEFT ROD END	1	
	25 553 R1	WASHER, FLAT - 3/8	2	
	25 522 R1	NUT, HEX - 3/8NC	1	
18	9410 204	CONNECTOR	4	
	364 885 R1	RING, SEAL	4	

CONTINUED ON NEXT PAGE

HYDRAULICS

HYDRAULIC PIPING BLADE LIFT



C10AH015

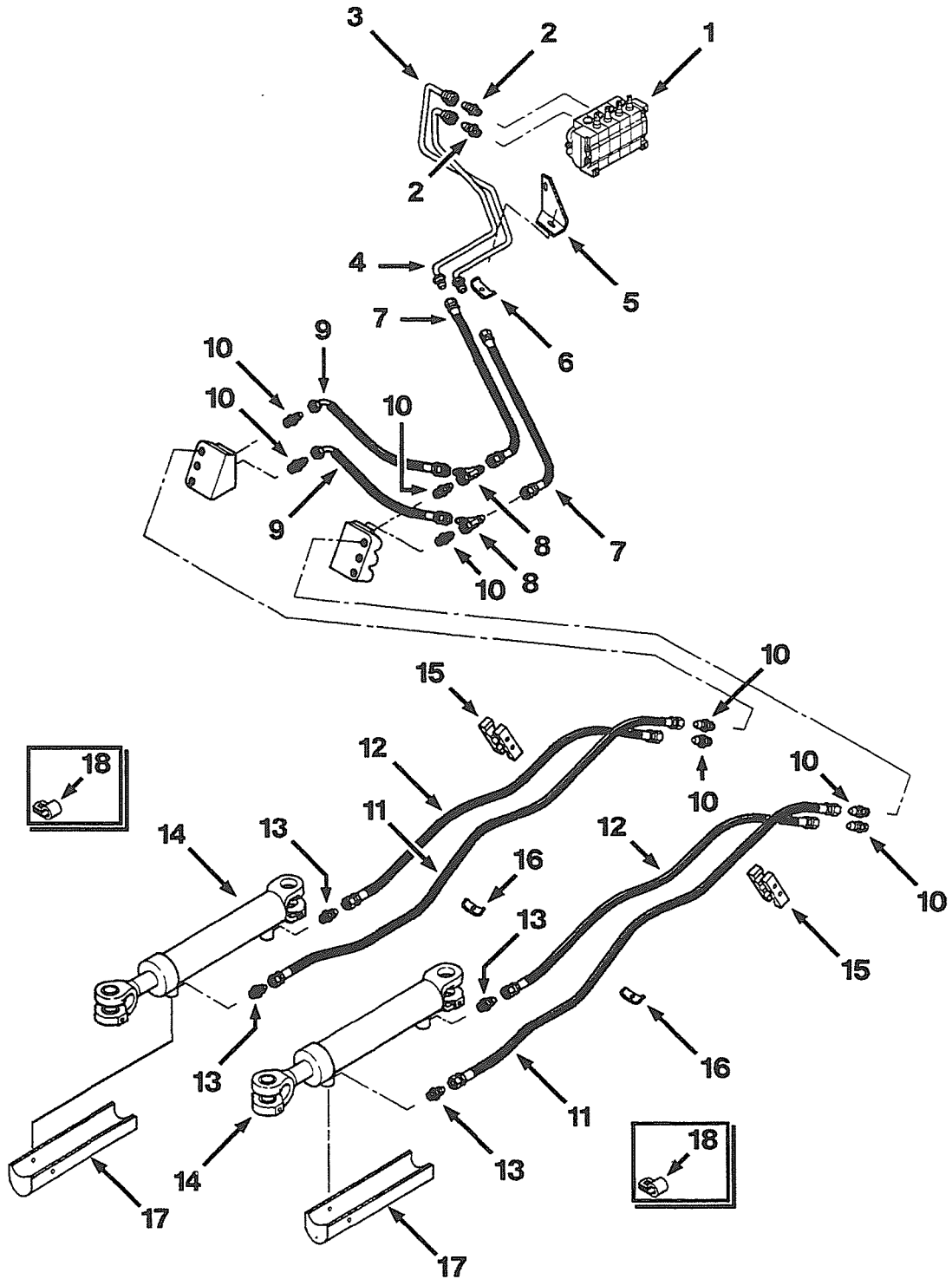
HYDRAULICS

HYDRAULIC PIPING
BLADE LIFT

Item	Part Number	Description	Qty.	Ref.
	306 132 C2	STRAP, TIE		AR

HYDRAULICS

HYDRAULIC PIPING BLADE ANGLE



C10AH016

HYDRAULICS

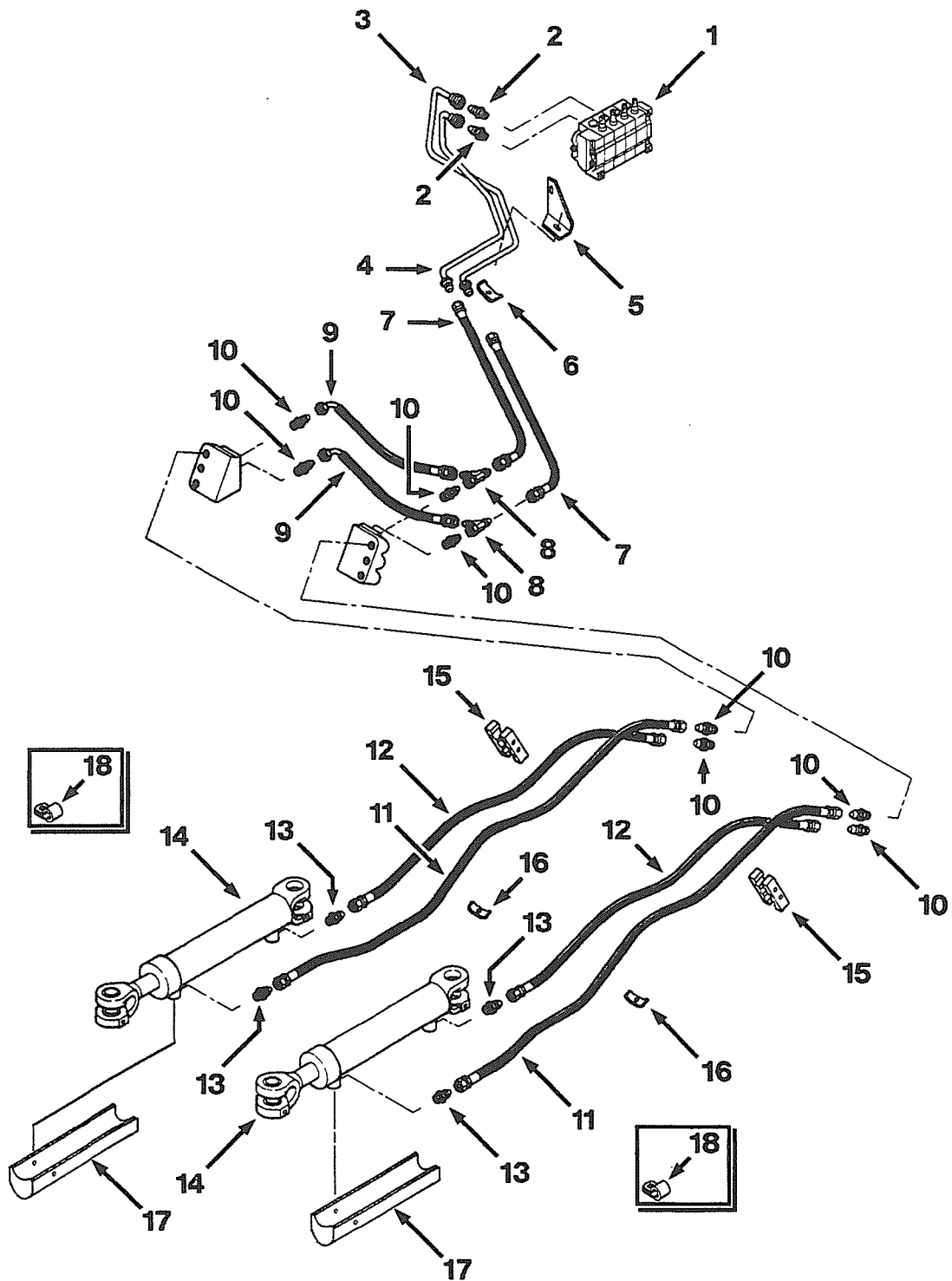
HYDRAULIC PIPING BLADE ANGLE

Item	Part Number	Description	Qty.	Ref.
1		VALVE, THREE SPOOL CONTROL (SEE PG 10-044)	1	
1		VALVE, FOUR SPOOL CONTROL (SEE PG 10-046)	1	
2	9410 204	CONNECTOR	2	
	364 885 R1	RING, SEAL	2	
3	1271 306 H1	TUBE, ROD END	1	
4	1271 307 H1	TUBE, HEAD END	1	
5	1271 311 H1	BRACKET, TUBE SUPPORT	1	
	24 860 R1	BOLT, HEX - 1/2NCx1	1	
	25 546 R1	WASHER, FLAT - 1/2	1	
6	653 236 C1	CLAMP, TUBE	1	
	26 241 H	SPACER, CLAMP	1	
	24 842 R1	BOLT, HEX - 3/8NCx1-3/4	1	
	25 553 R1	WASHER, FLAT - 3/8	2	
	25 522 R1	NUT, HEX - 3/8NC	1	
7	134 794 H1	HOSE, TO TEE	2	
8	9410 333	TEE, SWIVEL	2	
9	1271 351 H1	HOSE, ANGLE CROSSOVER	2	
10	9410 203	CONNECTOR	8	
	570 828 R1	RING, SEAL	8	
11	1277 023 H1	HOSE, ROD END	2	
12	1277 024 H1	HOSE, HEAD END	2	
13	481 352 R1	REDUCER	4	
	364 885 R1	RING, SEAL	4	
14		CYLINDER, BLADE ANGLE (SEE PG 10-068)	2	
15	1277 747 H1	CLAMP, THREE HOSE	4	
	25 285 R1	BOLT, HEX - 1/2NCx3-1/4	4	
	25 536 R1	WASHER, FLAT - 1/2	4	
	116 121	WASHER, LOCK - 1/2	4	
16	653 171 C1	CLAMP, HOSE	2	
	26 241 H	SPACER, CLAMP	2	
	24 843 R1	BOLT, HEX - 3/8NCx2	2	
	25 553 R1	WASHER, FLAT - 3/8	2	
	25 544 R1	WASHER, FLAT - 3/8	2	
17	1306 638 H91	GUARD, HOSE	2	
	25 553 R1	WASHER, FLAT - 3/8	6	
	24 840 R1	BOLT, HEX - 3/8NCx1	6	

CONTINUED ON NEXT PAGE

HYDRAULICS

HYDRAULIC PIPING BLADE ANGLE



C10AH016

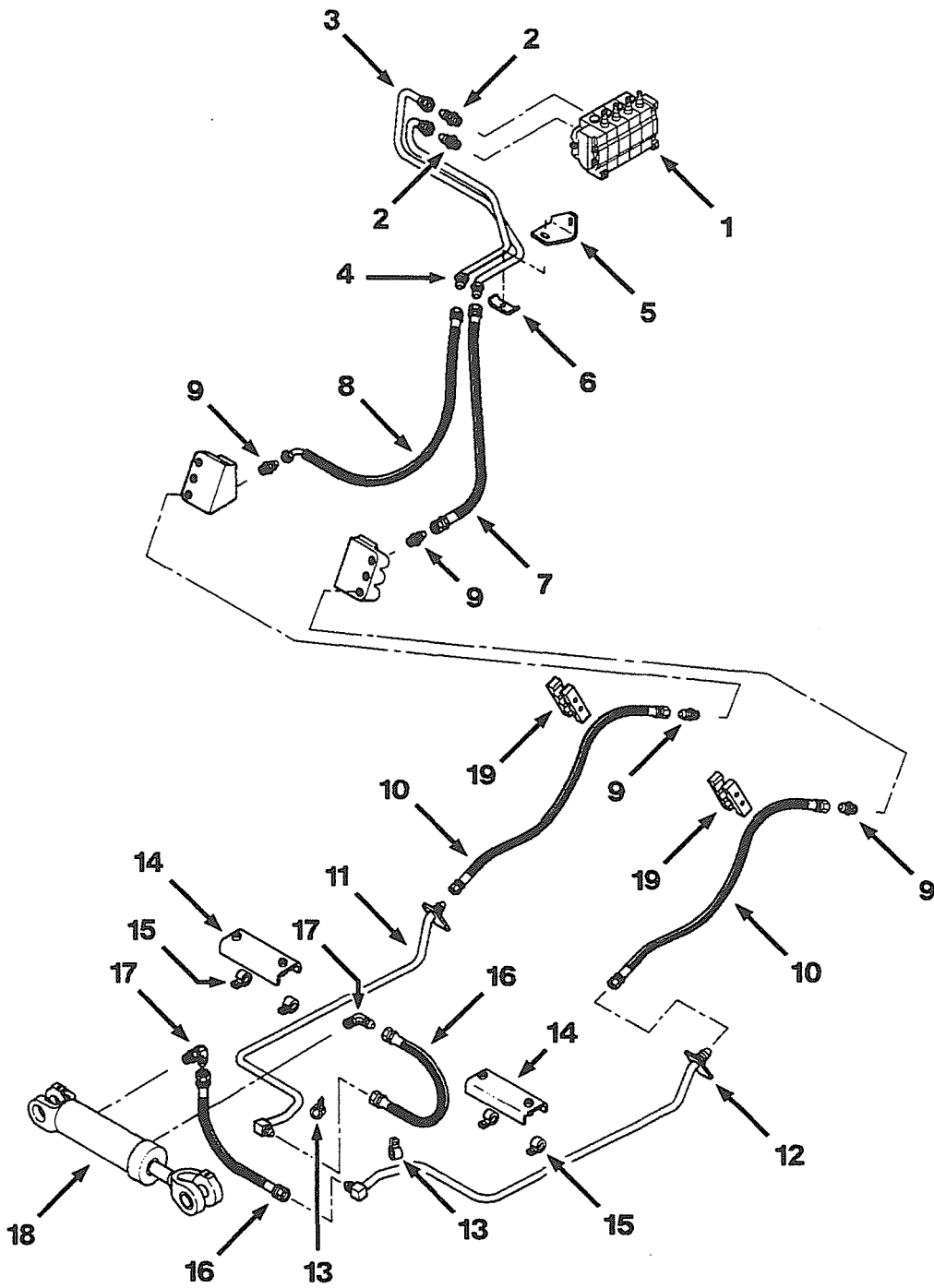
HYDRAULICS

HYDRAULIC PIPING BLADE ANGLE

Item	Part Number	Description	Qty.	Ref.
	306 132 C2	STRAP, TIE		AR
18	605 032 C1	CLIP, HOSE - W/O HOSE GUARDS	2	
	25 534 R1	WASHER, FLAT - 3/8	2	
	25 522 R1	NUT, HEX - 3/8NC	2	

HYDRAULICS

HYDRAULIC PIPING BLADE TILT



C10AH017

HYDRAULICS

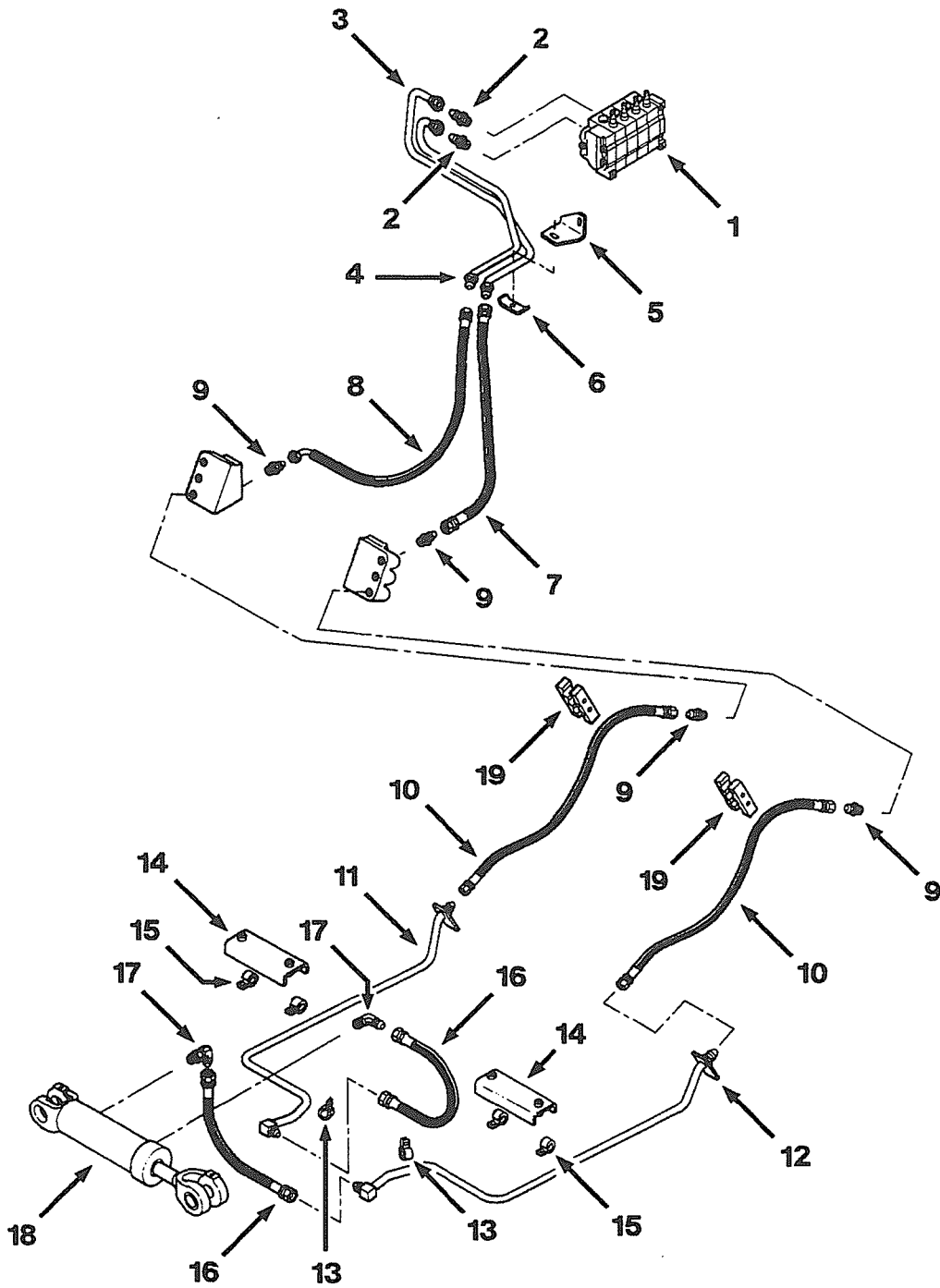
HYDRAULIC PIPING BLADE TILT

Item	Part Number	Description	Qty.	Ref.
1		VALVE, THREE SPOOL CONTROL (SEE PG 10-044)	1	
1		VALVE, FOUR SPOOL CONTROL (SEE PG 10-046)	1	
2	9410 204	CONNECTOR	2	
	364 885 R1	RING, SEAL	2	
	1285 291 H1	VENT, ORIFICE - 0.125 IN - TOP AND BOTTOM PORT . .	2	
3	1271 304 H1	TUBE, HEAD END	1	
4	1271 305 H1	TUBE, ROD END	1	
5		BRACKET, HOSE SUPPORT (SEE PG 10-008)	1	
6	653 171 C1	CLAMP, TILT HOSE	1	
	24 842 R1	BOLT, HEX - 3/8NCx1-3/4	1	
	25 553 R1	WASHER, FLAT - 3/8	1	
	25 522 R1	NUT, HEX - 3/8	1	
	26 241 H	SPACER, CLAMP	1	
7	134 794 H1	HOSE, HEAD END	1	
8	1271 356 H1	HOSE, ROD END	1	
9	9410 203	CONNECTOR	4	
	570 828 R1	RING, SEAL	4	
10	1277 025 H1	HOSE, TILT	2	
11	1271 366 H91	TUBE, RH TILT	1	
	24 840 R1	BOLT, HEX - 3/8NCx1	1	
	25 553 R1	WASHER, FLAT - 3/8	1	
12	1271 365 H91	TUBE, LH TILT	1	
	24 840 R1	BOLT, HEX - 3/8NCx1	1	
	25 553 R1	WASHER, FLAT - 3/8	1	
13	308 575 C1	CLIP, TUBE	2	
	24 839 R1	BOLT, HEX - 3/8NCx3/4	2	
	25 534 R1	WASHER, FLAT - 3/8	2	
14	1286 694 H91	GUARD, TILT TUBE	2	
	24 843 R1	BOLT, HEX - 3/8NCx2	4	
	25 534 R1	WASHER, FLAT - 3/8	4	
15	308 575 C1	CLIP, TILT HOSE	4	
	24 839 R1	BOLT, HEX - 3/8NCx3/4	2	
	25 534 R1	WASHER, FLAT - 3/8	2	
16	1213 957 H2	HOSE, CYLINDER	2	
17	9410 978	ELBOW, 90°	2	
	364 885 R1	RING, SEAL	2	

CONTINUED ON NEXT PAGE

HYDRAULICS

HYDRAULIC PIPING BLADE TILT



C10AH017

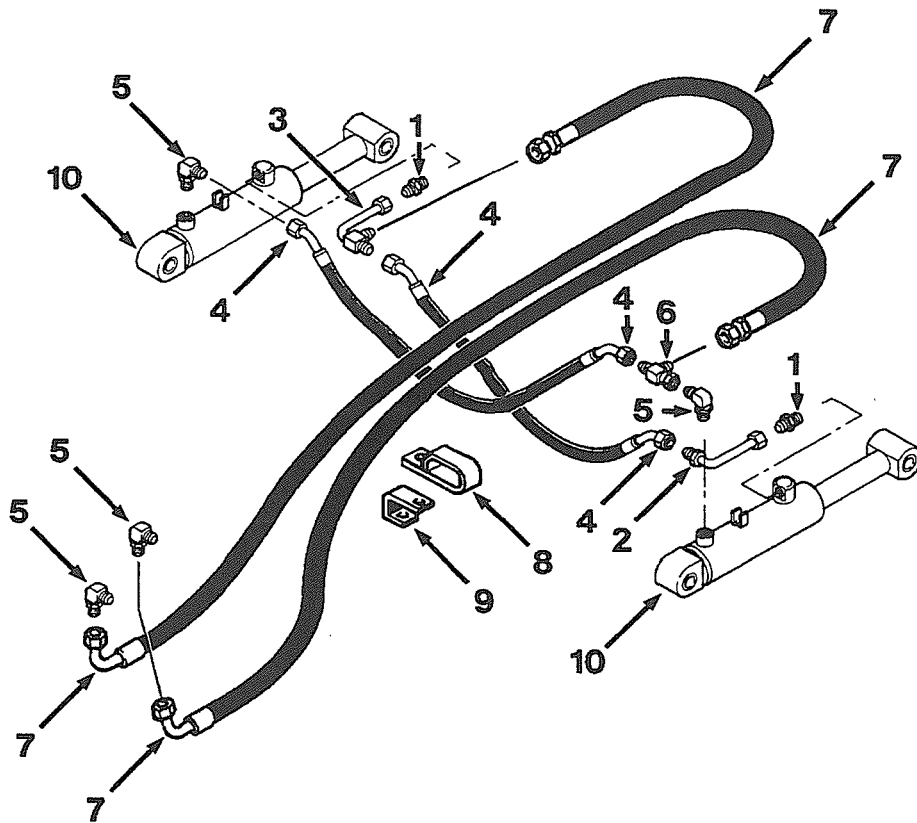
HYDRAULICS

HYDRAULIC PIPING BLADE TILT

Item	Part Number	Description	Qty.	Ref.
18		CYLINDER, BLADE TILT (SEE PG 10-066)	1	
19		CLAMP, THREE HOSE (SEE PG 10-012)	4	
	306 132 C2	STRAP, TIE		AR

HYDRAULICS

HYDRAULIC PIPING RIPPER



C10AH014

HYDRAULICS

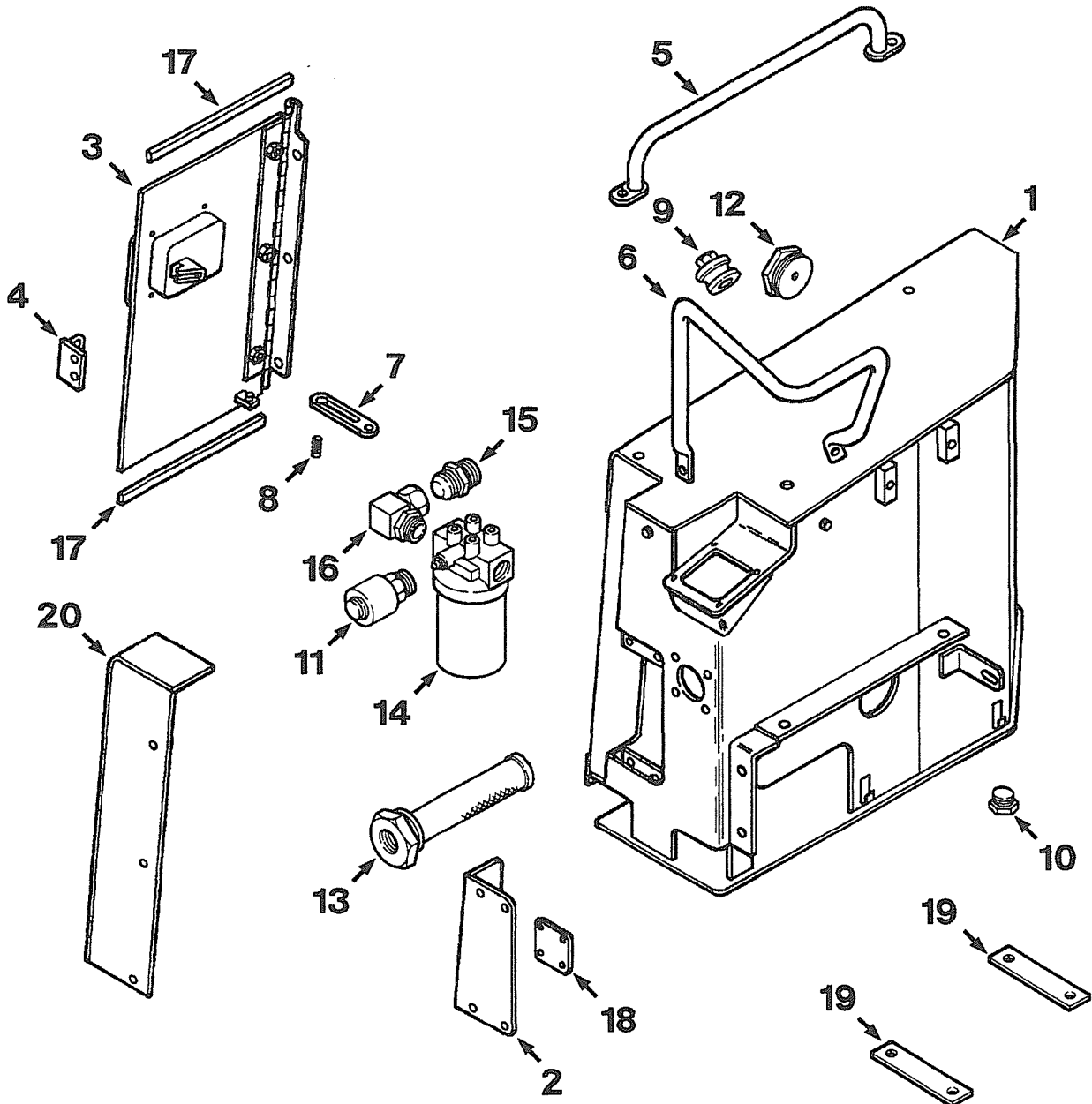
HYDRAULIC PIPING RIPPER

Item	Part Number	Description	Qty.	Ref.
	1281 350 H91	RIPPER PIPING	1	F1
1	9410 204	.CONNECTOR	2	
	364 885 R1	.RING, SEAL	2	
2	1249 049 H1	.TUBE, LEFT CYLINDER	1	
3	1249 048 H1	.TUBE, RIGHT CYLINDER	1	
4	1249 051 H1	.HOSE, CROSSOVER	2	
5	9410 978	.ELBOW - 90°	4	
	364 885 R1	.RING, SEAL	4	
6	9410 334	.TEE	1	
7	1281 357 H1	.HOSE, VALVE TO CYLINDER	2	
8	326 078 R1	.CLAMP, HOSE	1	
	24 840 R1	.BOLT, HEX - 3/8NCx1	1	
	25 534 R1	.WASHER, FLAT - 3/8	2	
	25 522 R1	.NUT, HEX - 3/8NC	1	
9	1281 435 H1	.BRACKET, HOSE	1	
	24 842 R1	.BOLT, HEX - 3/8NCx1-3/4	1	
	25 544 R1	.WASHER, FLAT - 3/8	1	
10		CYLINDER, RIPPER (SEE PG 10-070)	2	

F1 - PART NUMBER IS A NON-SERVICE PART AND IS LISTED FOR REFERENCE ONLY.
ORDER INDIVIDUAL PIECE PARTS.

HYDRAULICS

RESERVOIR - WITH ROPS CANOPY



C10BV014

HYDRAULICS

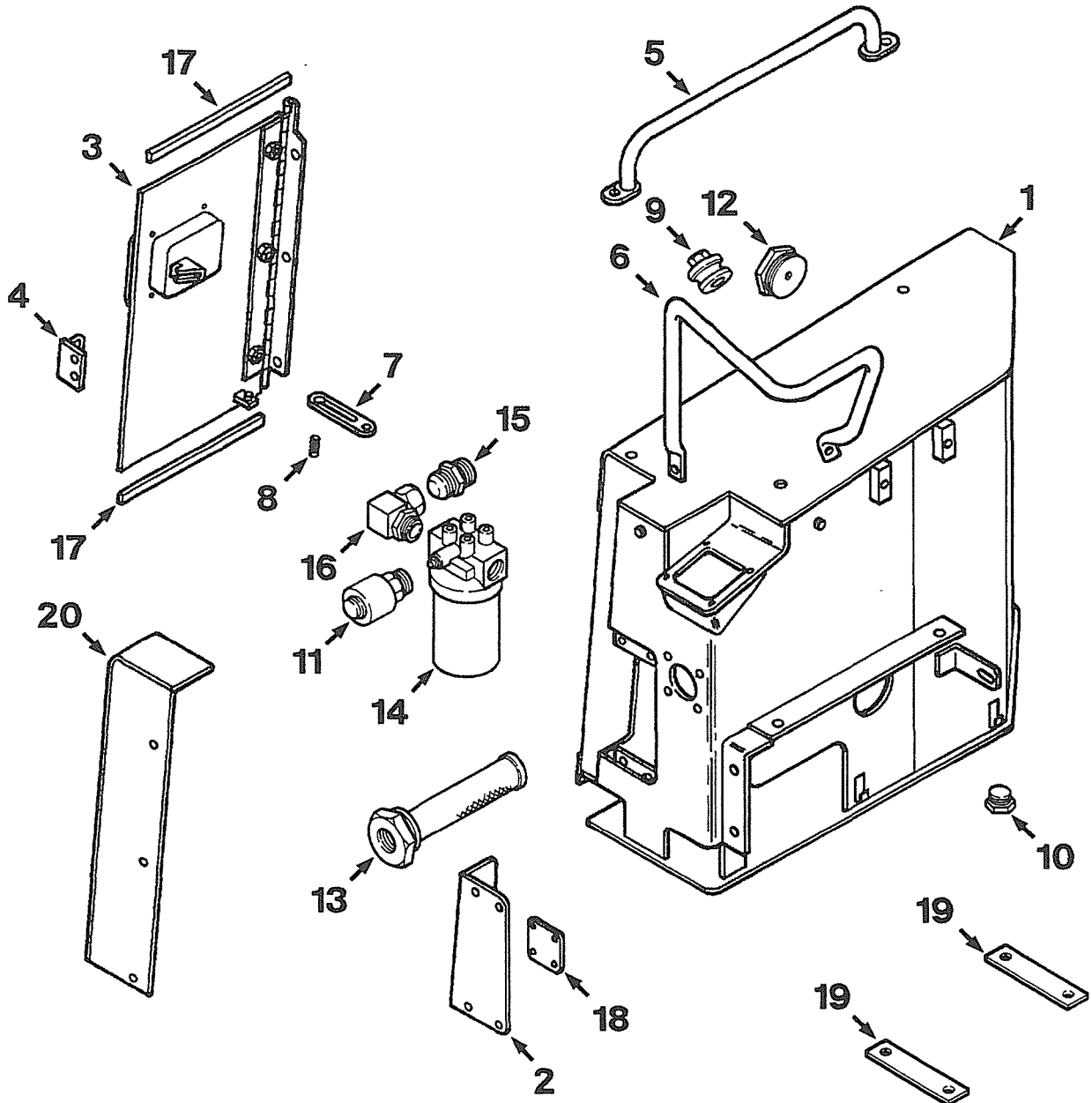
RESERVOIR - WITH ROPS CANOPY

Item	Part Number	Description	Qty.	Ref.
	1300 751 H91	RESERVOIR ASSY, EQUIPMENT	1	
1	1300 710 H91	.WELDMENT, RESERVOIR	1	
2	1300 743 H91	.COVER, VALVE ACCESS	1	
	24 839 R1	.BOLT, HEX - 3/8NCx3/4	4	
	25 534 R1	.WASHER, FLAT - 3/8	4	
3		.DOOR, RESERVOIR (SEE PG 10-028)	1	
	24 838 R1	.BOLT, HEX - 3/8NCx1/2	3	
	390 305 C1	.WASHER, FLAT - 3/8	3	
4	1300 708 H91	.STRIKER, DOOR	1	
	390 305 C1	.WASHER, FLAT - 3/8	2	
	25 523 R1	.NUT, HEX - 3/8NF	2	
5	1299 593 H91	.HANDLE, GRAB	1	
	24 839 R1	.BOLT, HEX - 3/8NCx3/4	4	
	25 534 R1	.WASHER, FLAT - 3/8	4	
6	1303 290 H2	.HANDLE, FEATHERING	1	
	24 859 R1	.BOLT, HEX - 1/2NCx3/4	2	
	120 384	.WASHER, LOCK - 1/2	2	
7	1308 809 H1	.LINK, DOOR STAY	1	
	20 791 R1	.PIN, CLEVIS - 1/4x7/8	1	
	22 256 R1	.WASHER, FLAT - 9/32	1	
	103 361	.PIN, COTTER - 1/16x1/2	1	
8	1302 398 H1	.SPRING, KEEPER	1	
	23 840 R1	.PIN, CLEVIS - 5/16x1-3/16	1	
	120 393	.WASHER, FLAT - 5/16	1	
	119 117	.PIN, COTTER - 3/32x1/2	1	
9	294 118 R2	.PLUG, FILL	1	
	253 172 R1	.RING, SEAL	1	
10	9410 360	.PLUG, DRAIN	1	
	368 269 R1	.RING, SEAL	1	
11	1214 473 H91	.VALVE ASSY, VACUUM PRESSURE RELIEF	1	
	927 994 C1	.FILTER	1	
	883 170 C91	.KIT, VALVE REPAIR	1	
	296 247 R1	.RING, SEAL	1	
12	933 022 C1	.GAUGE, SIGHT	1	
	364 145 R1	.RING, SEAL	1	
13	1269 422 H1	.STRAINER, SUCTION	1	

CONTINUED ON NEXT PAGE

HYDRAULICS

RESERVOIR - WITH ROPS CANOPY



C10BV014

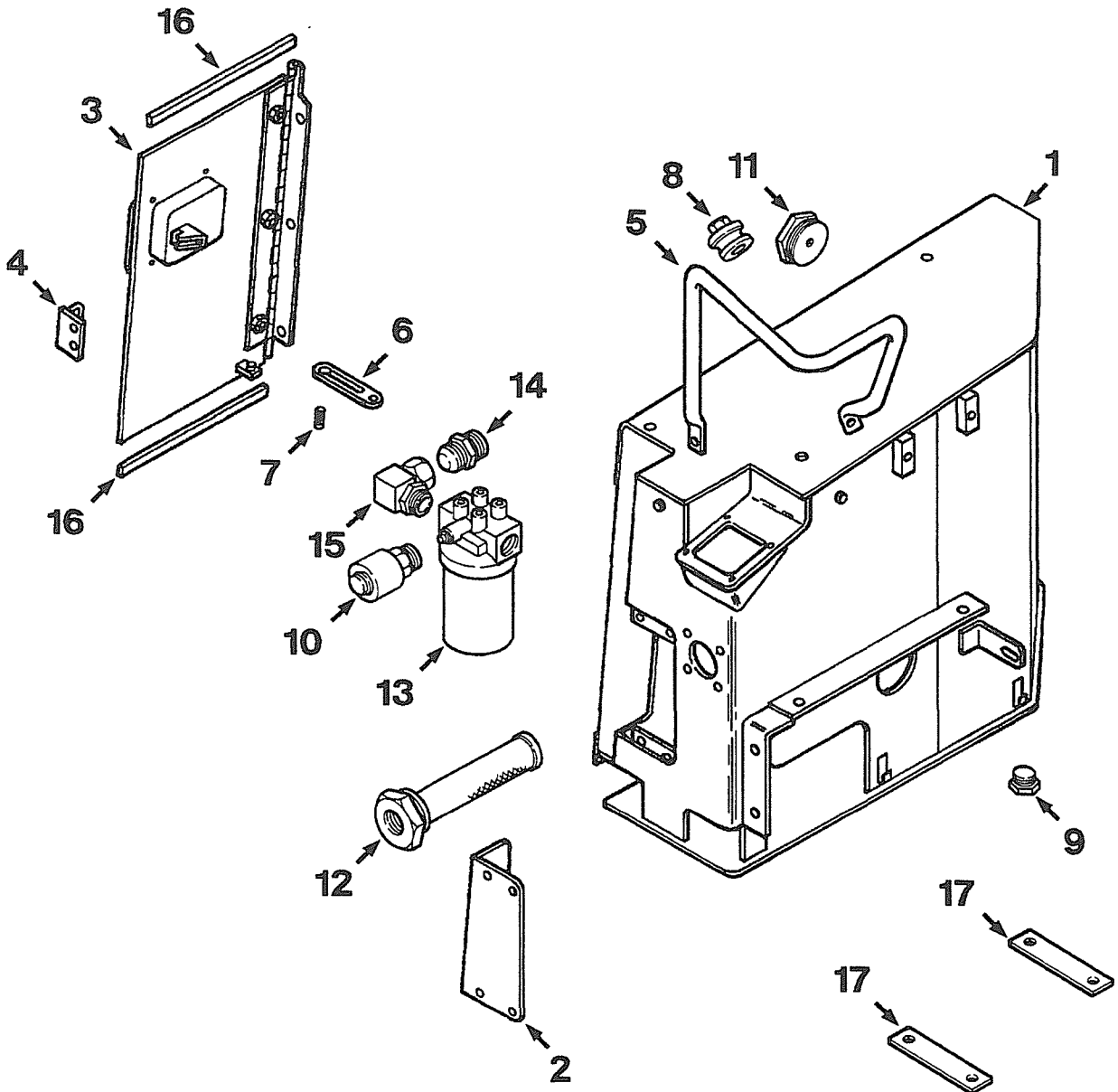
HYDRAULICS

RESERVOIR - WITH ROPS CANOPY

Item	Part Number	Description	Qty.	Ref.
	307 916 R1	.RING, SEAL	1	
14		.FILTER, EQUIPMENT (SEE PG 10-030)	1	
	24 839 R1	.BOLT, HEX - 3/8NCx3/4	2	
	25 553 R1	.WASHER, FLAT - 3/8	2	
15	1269 409 H1	.ADAPTER, FILTER	1	
	296 247 R1	.RING, SEAL	1	
16	9410 981	.ELBOW, 90°	1	
	296 247 R1	.RING, SEAL	1	
17	1306 539 H1	.SEAL, DOOR	2	
	157 313	.ADHESIVE CONTACT - 1 QT	1	
18	1308 472 H1	.PLATE, COVER	1	
	145 384	.SCREW, #7 DRIVE	4	
19	1266 312 H1	SHIM, MOUNTING	AR	
20	1300 746 H91	COVER, RESERVOIR	1	
	24 839 R1	BOLT, HEX - 3/8NCx3/4	5	
	25 534 R1	WASHER, FLAT - 3/8	5	

HYDRAULICS

RESERVOIR - WITH ROPS CAB



C10BV016

HYDRAULICS

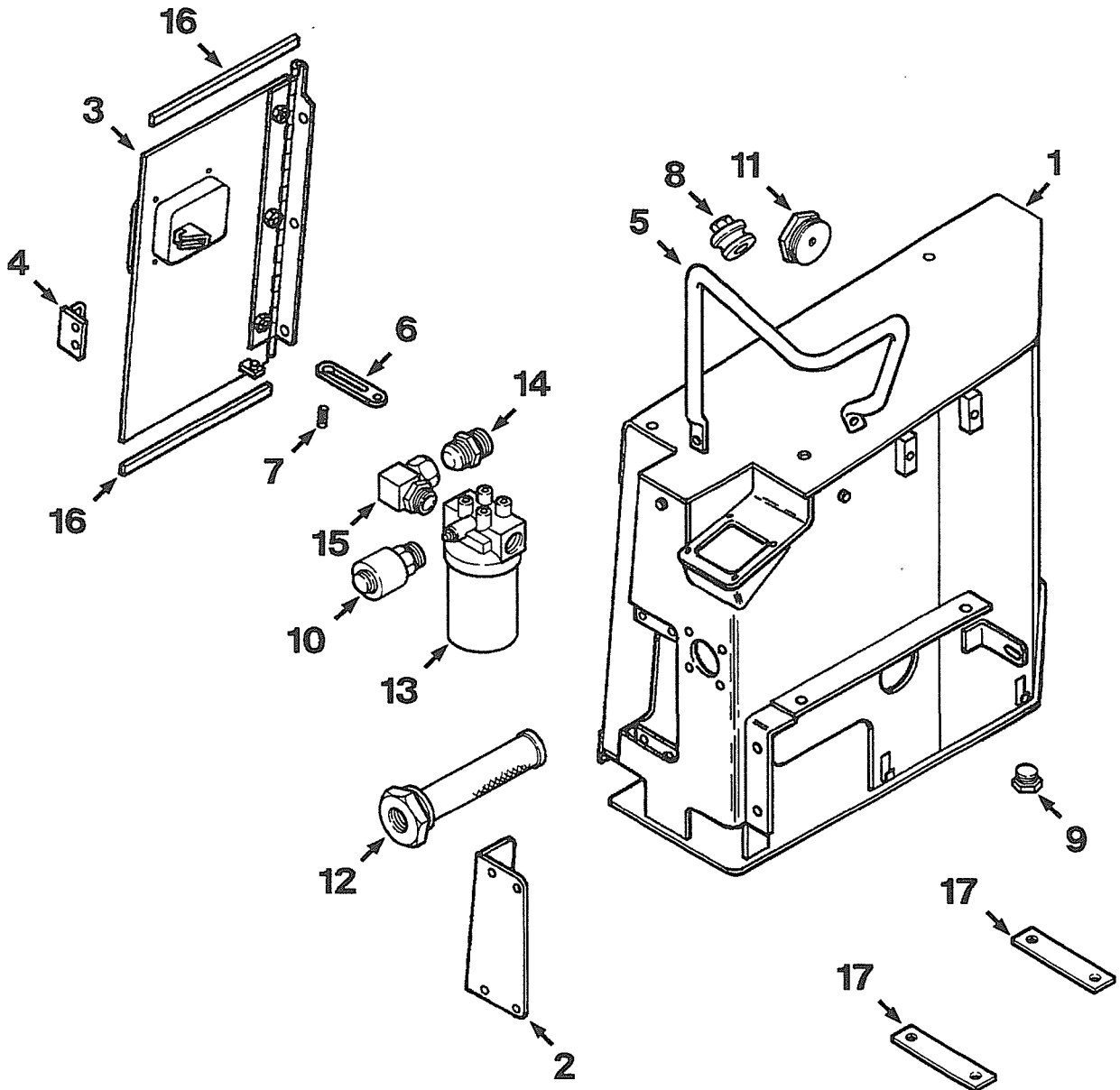
RESERVOIR - WITH ROPS CAB

Item	Part Number	Description	Qty.	Ref.
1	1300 710 H91	WELDMENT, RESERVOIR	1	
2	1300 743 H91	COVER, VALVE ACCESS	1	
	24 839 R1	BOLT, HEX - 3/8NCx3/4	4	
	25 534 R1	WASHER, FLAT - 3/8	4	
3		DOOR, RESERVOIR (SEE PG 10-028)	1	
	24 838 R1	BOLT, HEX - 3/8NCx1/2	3	
	390 305 C1	WASHER, FLAT - 3/8	3	
4	1300 708 H91	STRIKER, DOOR	1	
	390 305 C1	WASHER, FLAT - 3/8	2	
	25 523 R1	NUT, HEX - 3/8NF	2	
5	1303 290 H2	HANDLE, FEATHERING	1	
	24 859 R1	BOLT, HEX - 1/2NCx3/4	2	
	120 384	WASHER, LOCK - 1/2	2	
6	1308 809 H1	LINK, DOOR STAY	1	
	20 791 R1	PIN, CLEVIS - 1/4x7/8	1	
	22 256 R1	WASHER, FLAT - 9/32	1	
	103 361	PIN, COTTER - 1/16x1/2	1	
7	1302 398 H1	SPRING, KEEPER	1	
	23 840 R1	PIN, CLEVIS - 5/16x1-3/16	1	
	120 393	WASHER, FLAT - 5/16	1	
	119 117	PIN, COTTER - 3/32x1/2	1	
8	294 118 R2	PLUG, FILL	1	
	253 172 R1	RING, SEAL	1	
9	9410 360	PLUG, DRAIN	1	
	368 269 R1	RING, SEAL	1	
10	1214 473 H91	VALVE ASSY, VACUUM PRESSURE RELIEF	1	
	927 994 C1	.FILTER	1	
	883 170 C91	.KIT, VALVE REPAIR	1	
	296 247 R1	RING, SEAL	1	
11	933 022 C1	GAUGE, SIGHT	1	
	364 145 R1	RING, SEAL	1	
12	1269 422 H1	STRAINER, SUCTION	1	
	307 916 R1	RING, SEAL	1	
13		FILTER, EQUIPMENT (SEE PG 10-030)	1	
	24 839 R1	BOLT, HEX - 3/8NCx3/4	2	
	25 553 R1	WASHER, FLAT - 3/8	2	

CONTINUED ON NEXT PAGE

HYDRAULICS

RESERVOIR - WITH ROPS CAB



C10BV016

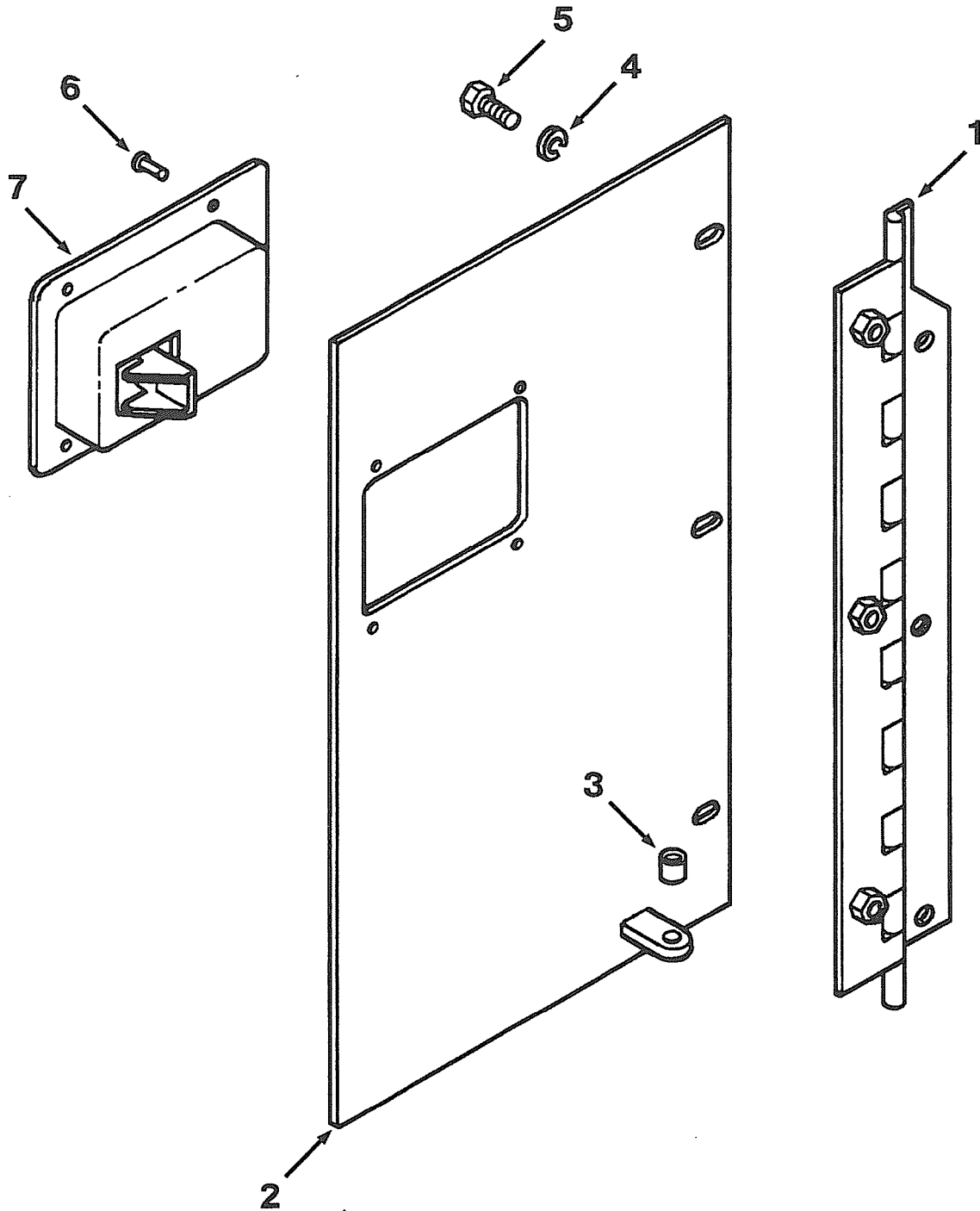
HYDRAULICS

RESERVOIR - WITH ROPS CAB

Item	Part Number	Description	Qty.	Ref.
14	1269 409 H1	ADAPTER, FILTER	1	
	296 247 R1	RING, SEAL	1	
15	9410 981	ELBOW, 90°	1	
	296 247 R1	RING, SEAL	1	
16	1306 539 H1	SEAL, DOOR	2	
	157 313	ADHESIVE CONTACT - 1 QT	1	
17	1266 312 H1	SHIM, MOUNTING	AR	

HYDRAULICS

RESERVOIR DOOR



C10BV015

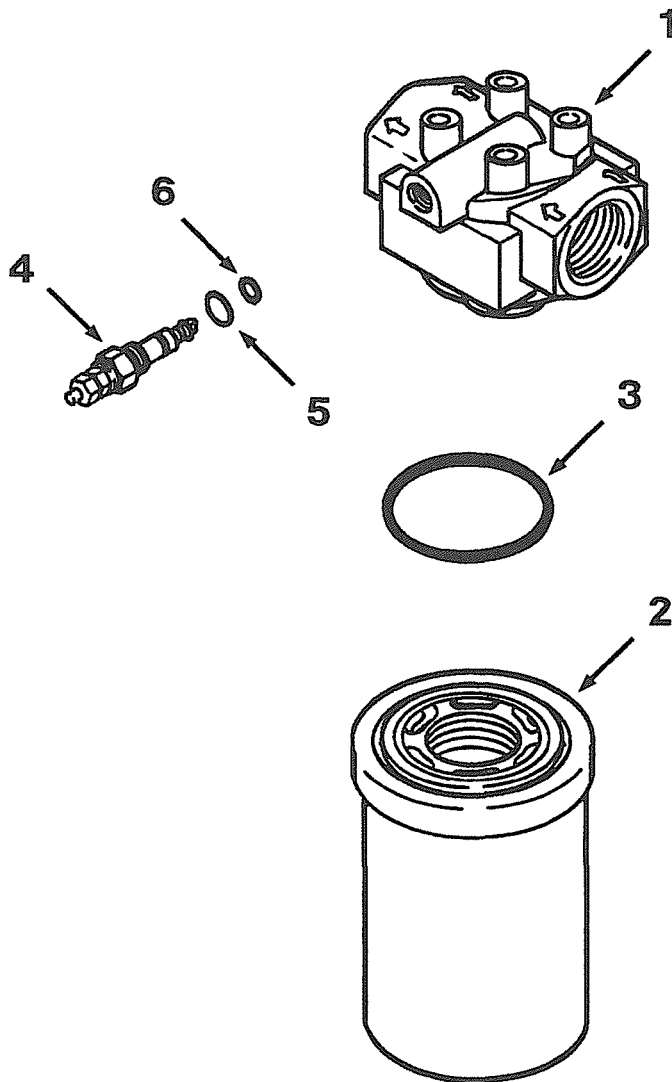
HYDRAULICS

RESERVOIR DOOR

Item	Part Number	Description	Qty.	Ref.
	1300 752 H91	DOOR ASSY, RESERVOIR	1	
1	1300 753 H91	.HINGE, DOOR	1	
2	NSS	.DOOR, RESERVOIR	1	
3	1300 897 H1	.BUSHING, STAY ROD	1	
4	390 305 C1	.WASHER, FLAT - 3/8	3	
5	21 335 R1	.BOLT, HEX - 3/8NCx3/4	3	
6	104 067	.RIVET, BUTTON HEAD - 3/16x1/2	4	
7	1297 517 H91	.LATCH, DOOR	1	

HYDRAULICS

EQUIPMENT FILTER



C07BV010

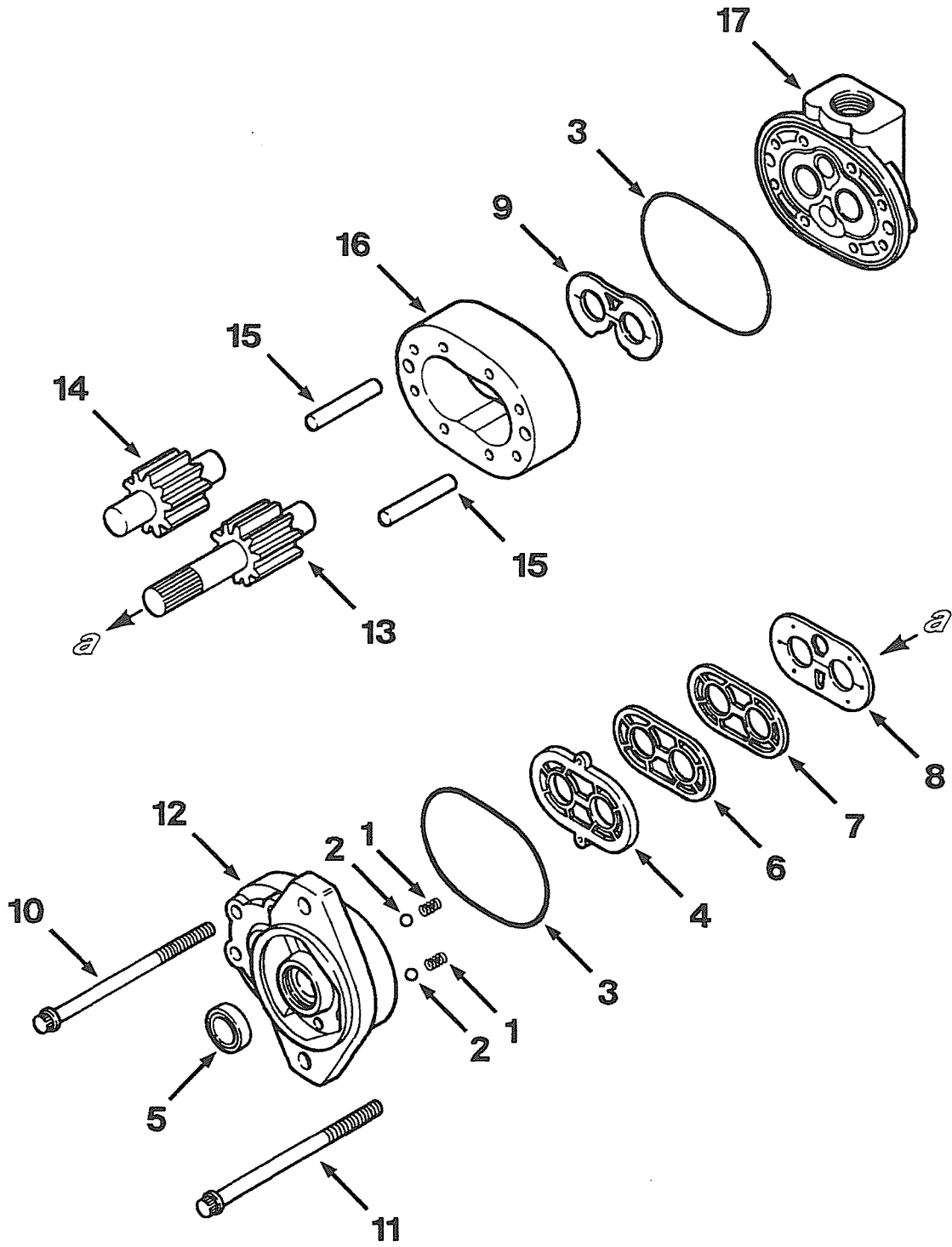
HYDRAULICS

EQUIPMENT FILTER

Item	Part Number	Description	Qty.	Ref.
	1266 752 H91	FILTER ASSY, EQUIPMENT	1	
1	NSS	.BASE, FILTER	1	
	1266 751 H2	.ELEMENT ASSY, FILTER	1	
2	NSS	..ELEMENT, FILTER	1	
3	NSS	..RING, SEAL	1	
	1267 903 H91	.INDICATOR ASSY, SERVICE	1	
4	NSS	..INDICATOR	1	
5	364 839 R1	..RING, SEAL	1	
6	359 158 R1	..RING, SEAL	1	

HYDRAULICS

EQUIPMENT PUMP



C10AV002

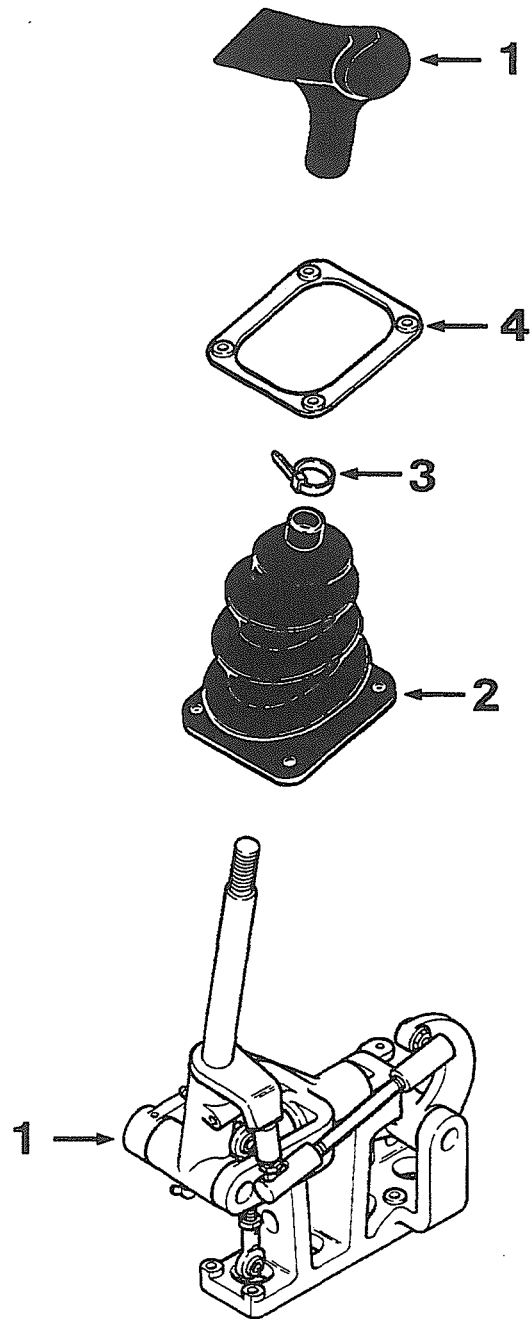
HYDRAULICS

EQUIPMENT PUMP

Item	Part Number	Description	Qty.	Ref.
	1269 466 H91	PUMP ASSY, EQUIPMENT	1	
	1299 969 H1	.KIT, SEAL	1	
1	NSS	..SPRING, BALL	2	
2	NSS	..BALL, CHECK	2	
3	NSS	..RING, SEAL	2	
4	NSS	..GASKET, BACK UP	1	
5	NSS	..RING, SEAL	1	
6	NSS	..SEAL, DIAPHRAGM	1	
7	NSS	..GASKET, PROTECTOR	1	
8	NSS	..DIAPHRAGM	1	
9	NSS	..PLATE, THRUST	1	
10	202 207 H1	.BOLT, HEX - 3/8NCx3-1/4	4	
11	25 635 R1	.BOLT, HEX - 3/8NCx3-1/2	4	
12	NSS	.FRONT PLATE	1	
13	NSS	.GEAR, DRIVE	1	
14	NSS	.GEAR, DRIVEN	1	
15	NSS	.PIN, DOWEL	2	
16	NSS	.BODY, PUMP	1	
17	NSS	.REAR PLATE	1	

HYDRAULICS

EQUIPMENT VALVE CONTROLS THREE SPOOL VALVE



C10AZ027

HYDRAULICS

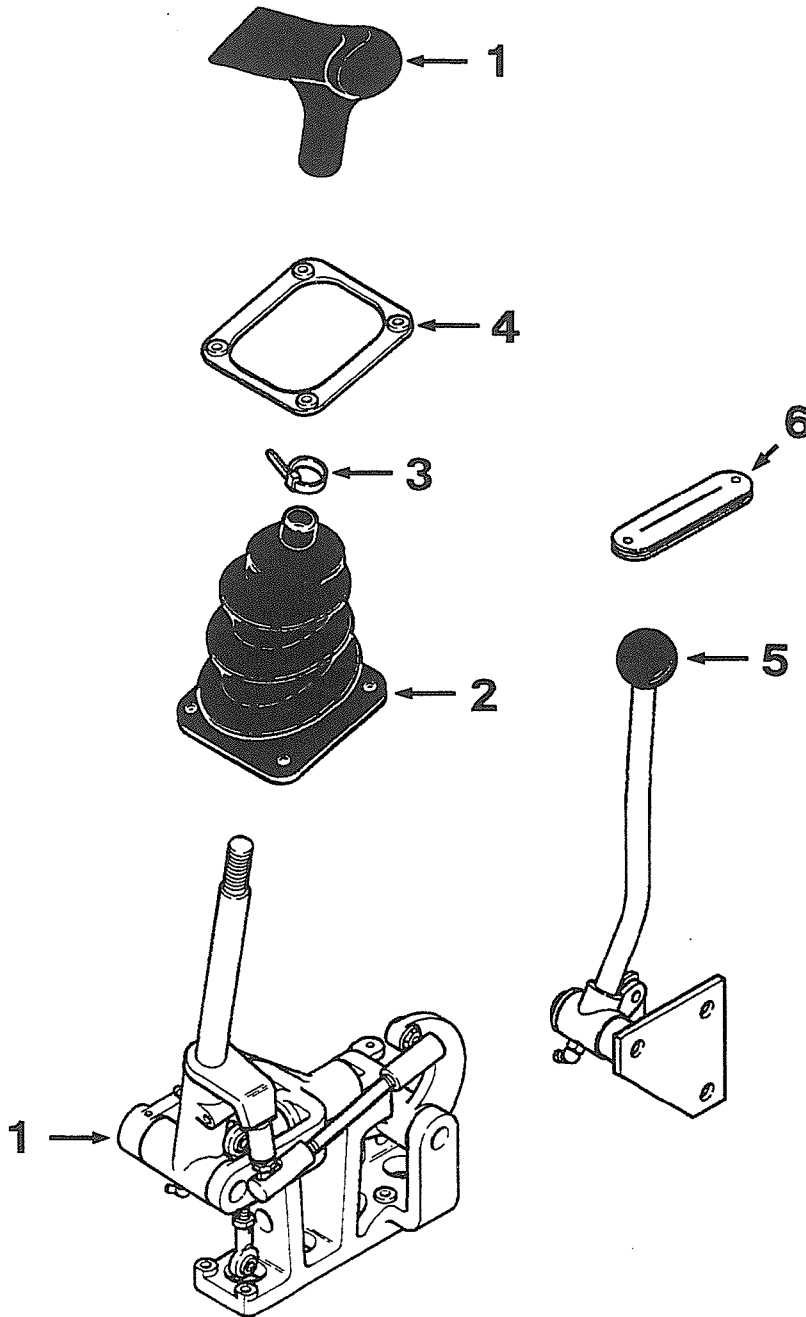
EQUIPMENT VALVE CONTROLS THREE SPOOL VALVE

Item	Part Number	Description	Qty.	Ref.
	1269 109 H91	EQUIPMENT VALVE CONTROLS	1	F1
		.VALVE, THREE SPOOL (SEE PG 10-044)	1	
	26 269 R1	.BOLT, HEX - 5/16NCx2-3/4	3	
	25 533 R1	.WASHER, FLAT - 5/16	3	
1		.CONTROL BRACKET AND HANDLE (SEE PG 10-038)	1	
	25 483 R1	.BOLT, HEX - 1/4NCx1	2	
	25 487 R1	.BOLT, HEX - 1/4NCx1-1/2	2	
	25 532 R1	.WASHER, FLAT - 1/4	4	
2	1269 024 H2	.BOOT, LEVER	1	
3	935 522 C1	.STRAP, TIE	1	
4	1306 898 H91	.RETAINER, BOOT - WITH MOUNTING INSERTS	1	
	160 544	.SCREW, PAN - 1/4NCx3/4	4	

F1 - PART NUMBER IS A NON-SERVICE PART AND IS LISTED FOR REFERENCE ONLY.
ORDER INDIVIDUAL PIECE PARTS.

HYDRAULICS

EQUIPMENT VALVE CONTROLS FOUR SPOOL VALVE



C10AZ028

HYDRAULICS

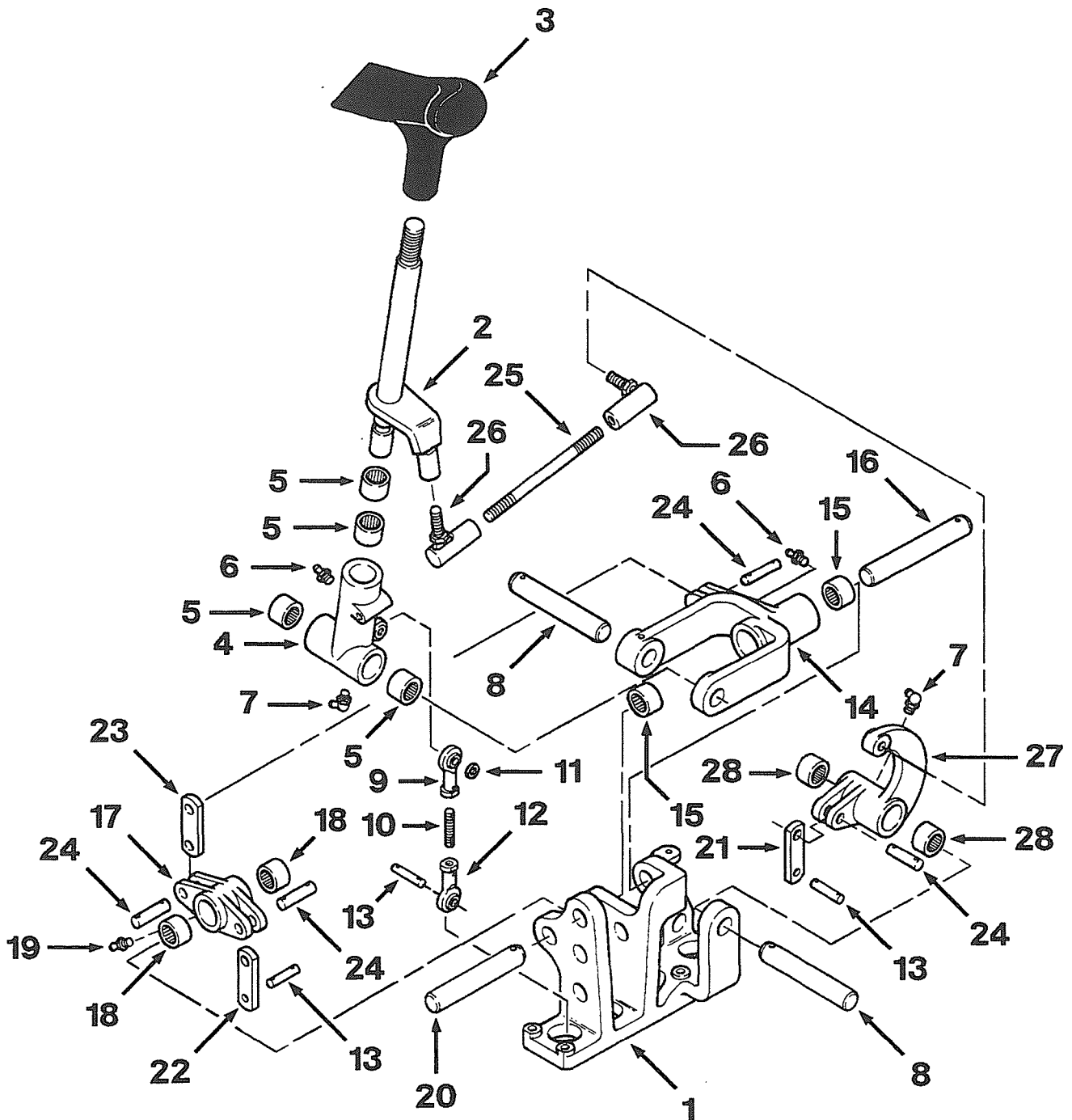
EQUIPMENT VALVE CONTROLS FOUR SPOOL VALVE

Item	Part Number	Description	Qty.	Ref.
	1270 686 H91	EQUIPMENT VALVE CONTROLS	1	F1
		.VALVE, FOUR SPOOL (SEE PG 10-046)	1	
	26 269 R1	.BOLT, HEX - 5/16NCx2-3/4	3	
	25 533 R1	.WASHER, FLAT - 5/16	3	
1		.CONTROL BRACKET AND HANDLE (SEE PG 10-038)	1	
	25 483 R1	.BOLT, HEX - 1/4NCx1	2	
	25 487 R1	.BOLT, HEX - 1/4NCx1-1/2	2	
	25 532 R1	.WASHER, FLAT - 1/4	4	
2	1269 024 H2	.BOOT, LEVER	1	F3
3	935 522 C1	.STRAP, TIE	1	
4	1306 898 H91	.RETAINER, BOOT - WITH MOUNTING INSERTS	1	
	160 544	.SCREW, PAN - 1/4NCx3/4	4	
5		.LEVER, FOURTH SPOOL (SEE PG 10-042)	1	
6	114-43-48381	GROMMET	1	

F1 - PART NUMBER IS A NON-SERVICE PART AND IS LISTED FOR REFERENCE ONLY.
ORDER INDIVIDUAL PIECE PARTS.

HYDRAULICS

CONTROL BRACKET AND HANDLE



C10AZ026

HYDRAULICS

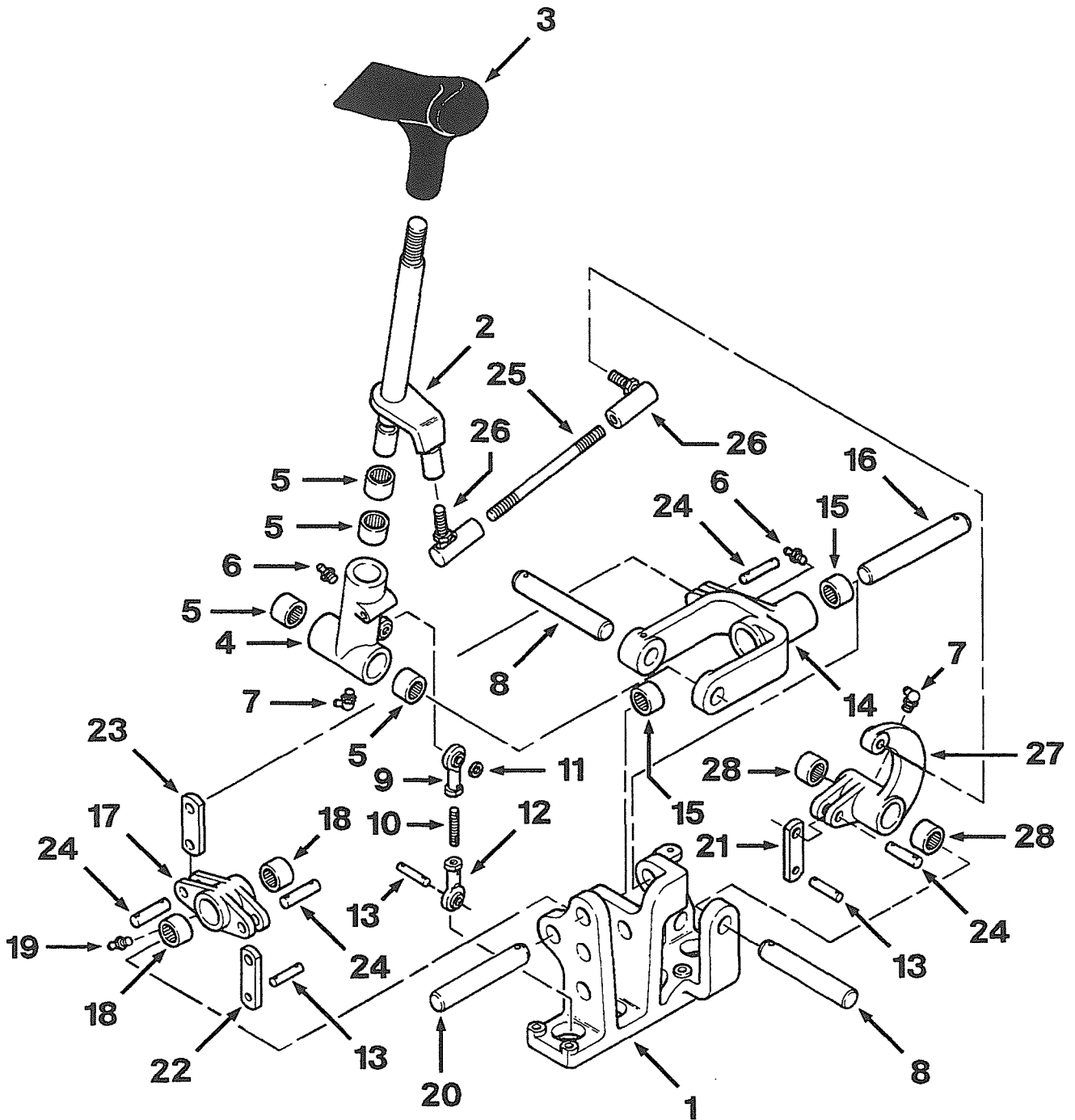
CONTROL BRACKET AND HANDLE

Item	Part Number	Description	Qty.	Ref.
	1268 198 H91	EQUIPMENT CONTROLS	1	F1
1	1250 600 H91	.BRACKET, CONTROL	1	
2	1250 601 H93	.LEVER, CONTROL	1	
3	1268 056 H2	.HANDLE, LEVER	1	
	21 063 R1	.NUT, JAM - 1/2NF	1	
	1250 606 H91	.BELLCRANK ASSY, LIFT	1	
4	NSS	..BELLCRANK, LIFT	1	
5	173 892 C91	..BEARING, SHAFT	4	
	26 052 R1	.PIN, SPRING - 3/16x1-1/2.	1	
6	109 454	.FITTING, LUBE	2	
7	16 964 R91	.FITTING, LUBE	2	
8	1268 172 H1	.SHAFT, MOUNTING	2	
	19 444 R1	.PIN, SPRING - 5/32x1-3/8	2	
	1283 175 H91	.BEARING ASSY, ROD END	1	
9	1283 174 H1	..BEARING, ROD END	1	
10	1283 173 H1	..ROD, THREADED	1	
	26 258 R1	.BOLT, HEX - 1/4NFx1-1/4	1	
	27 122 R1	.NUT, LOCK - 1/4NF	1	
11	1268 599 H1	.SPACER, MOUNTING	1	
12	1283 174 H1	.BEARING, ROD END	1	
	24 737 R1	.PIN, SPRING - 1/16x3/8.	1	
13	1278 058 H1	.PIN, MOUNTING	3	
	25 532 R1	.WASHER, FLAT - 1/4	6	
	103 362	.PIN, COTTER - 1/16x3/4	6	
	1268 820 H91	.BELLCRANK ASSY, LIFT AND TILT	1	
14	NSS	..BELLCRANK, LIFT AND TILT	1	
15	173 892 C91	..BEARING, BELLCRANK	2	
16	1268 173 H1	.SHAFT, CONTROL	1	
	19 444 R1	.PIN, SPRING - 5/32x1-3/8	1	
	1268 821 H91	.BELLCRANK ASSY, TILT	1	
17	NSS	..BELLCRANK, TILT	1	
18	173 892 C91	..BEARING, BELLCRANK	2	
19	16 982 R91	.FITTING, LUBE	1	
20	1268 171 H1	.SHAFT, CONTROL	1	
	19 444 R1	.PIN, SPRING - 5/32x1-3/8	1	
21	1267 356 H1	.LINK, CONNECTING	1	

CONTINUED ON NEXT PAGE

HYDRAULICS

CONTROL BRACKET AND HANDLE



C10AZ026

HYDRAULICS

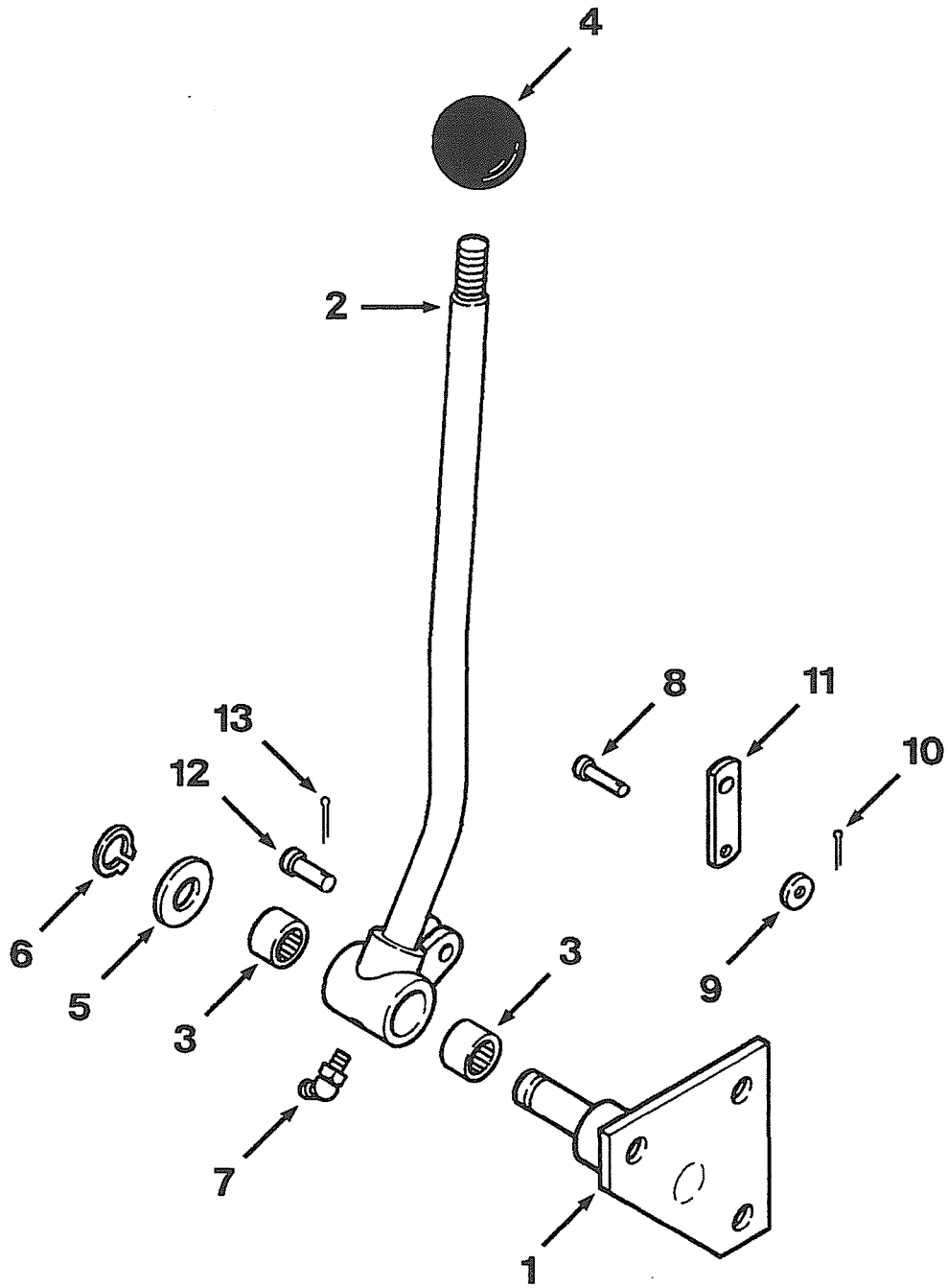
CONTROL BRACKET AND HANDLE

Item	Part Number	Description	Qty.	Ref.
22	1267 356 H1	.LINK, CONNECTING	1	
23	1269 250 H1	.LINK, CONNECTING	1	
24	1283 166 H1	.PIN, MOUNTING	4	
	25 533 R1	.WASHER, FLAT - 5/16	8	
	103 362	.PIN, COTTER - 1/16x3/4	8	
25	1250 614 H1	.ROD, THREADED	1	
	25 931 R1	.NUT, JAM - 5/16NF	2	
26	310 673 R91	.JOINT, BALL	2	
	27 036 R1	.NUT, LOCK - 5/16NF	1	
	1268 822 H91	.BELLCRANK ASSY, ANGLE	1	
27	NSS	..BELLCRANK, ANGLE	1	
28	173 892 C91	..BEARING, BELLCRANK	2	

F1 - PART NUMBER IS A NON-SERVICE PART AND IS LISTED FOR REFERENCE ONLY.
ORDER INDIVIDUAL PIECE PARTS.

HYDRAULICS

FOURTH SPOOL CONTROL LEVER



C10AZ007

HYDRAULICS

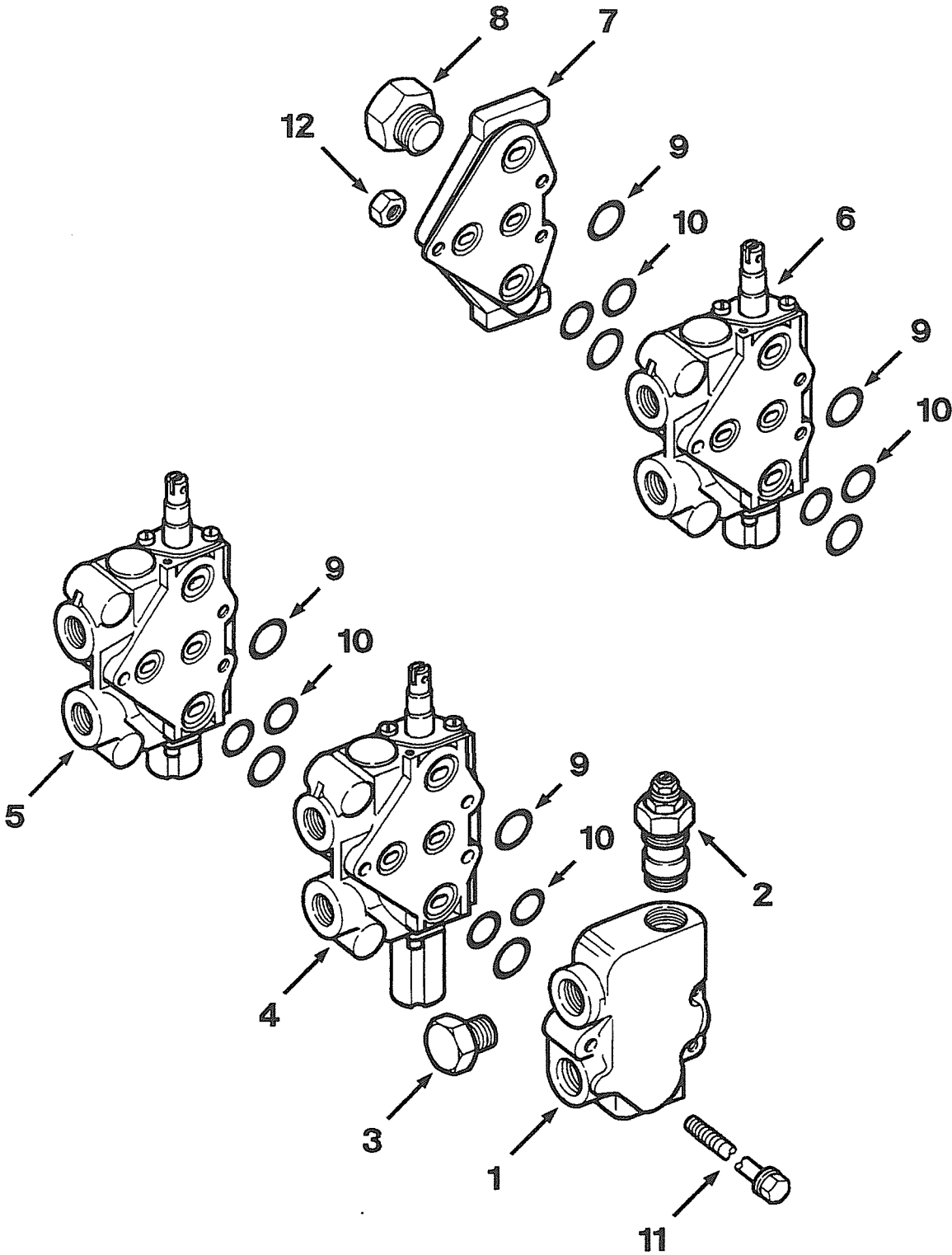
FOURTH SPOOL CONTROL LEVER

Item	Part Number	Description	Qty.	Ref.
	1270 670 H91	FOURTH SPOOL CONTROL LEVER	1	F1
1	1270 478 H91	.BRACKET, CONTROL	1	
	24 840 R1	.BOLT, HEX - 3/8NCx1	3	
	25 534 R1	.WASHER, FLAT - 3/8	6	
	25 522 R1	.NUT, HEX - 3/8NC	3	
	1270 473 H91	.LEVER ASSY, FOURTH SPOOL	1	
2	1270 474 H91	.LEVER, FOURTH SPOOL	1	
3	173 892 C91	.BEARING, HANDLE	2	
4	264 055 R2	.KNOB, HANDLE	1	
5	25 537 R1	.WASHER, FLAT - 5/8	1	
6	269 174 R1	.RING, RETAINING	1	
7	117 175	.FITTING, LUBE	1	
8	20 791 R1	.PIN, CLEVIS - 1/4x29/32	1	
9	25 532 R1	.WASHER, FLAT - 1/4	1	
10	103 362	.PIN, COTTER - 1/16x3/4	1	
11	1267 356 H1	.LINK, SPOOL	1	
12	39 374 D	.PIN, CLEVIS - 5/16x7/8	1	
13	103 373	.PIN, COTTER - 3/32x3/4	1	

F1 - PART NUMBER IS A NON-SERVICE PART AND IS LISTED FOR REFERENCE ONLY.
ORDER INDIVIDUAL PIECE PARTS.

HYDRAULICS

THREE SPOOL CONTROL VALVE



C10BH030

HYDRAULICS

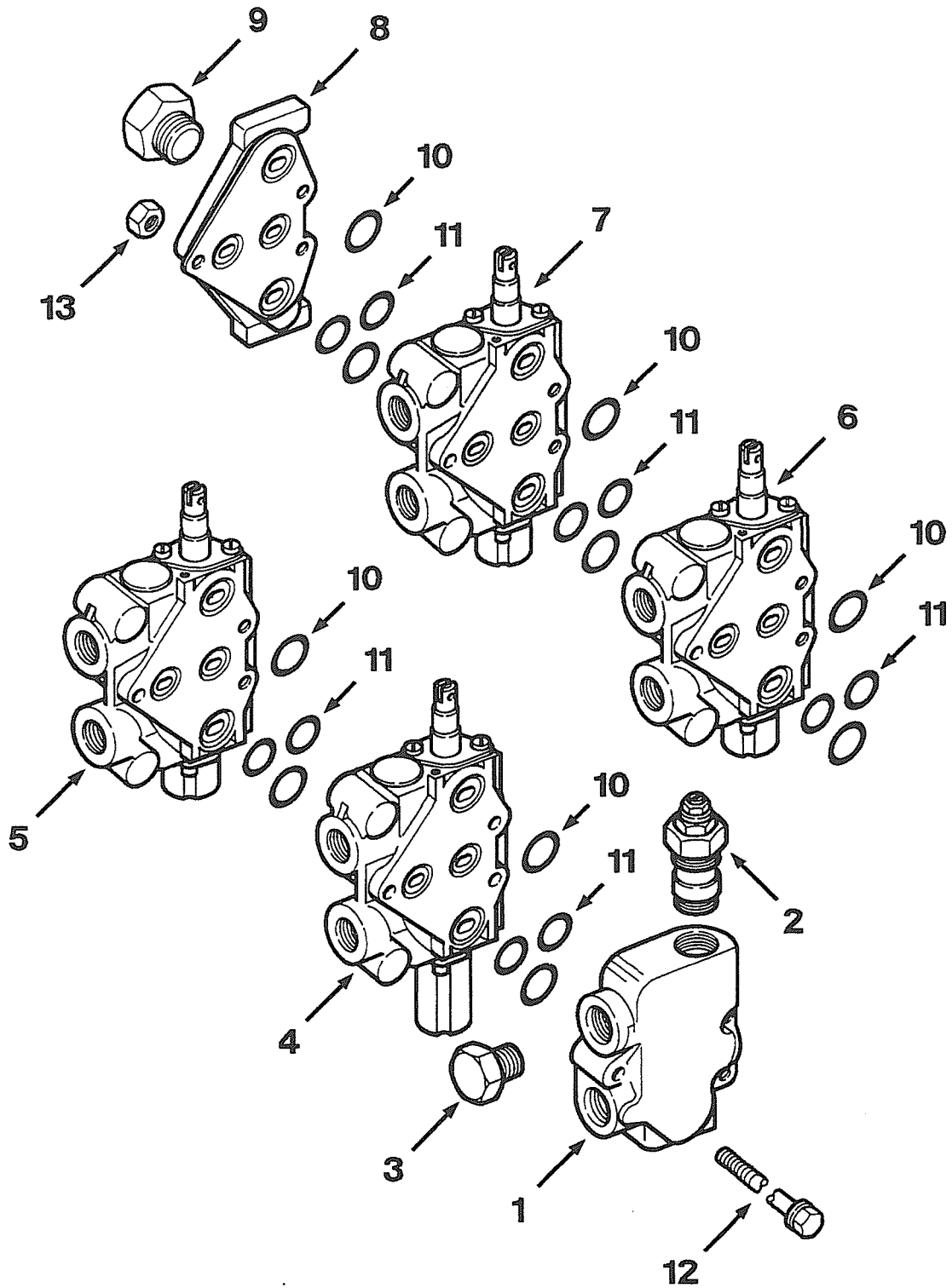
THREE SPOOL CONTROL VALVE

Item	Part Number	Description	Qty.	Ref.
	1259 210 H91	VALVE ASSY, THREE SPOOL CONTROL	1	
	1299 222 H91	.COVER ASSY, INLET	1	
1	NSS	..COVER, INLET	1	
2		..VALVE, SYSTEM RELIEF (SEE PG 10-048)	1	
3	9410 361	..PLUG, PORT	1	
	368 269 R1	..RING, SEAL	1	
4		.SECTION, BLADE LIFT (SEE PG 10-050)	1	
5		.SECTION, BLADE TILT (SEE PG 10-052)	1	
6		.SECTION, BLADE ANGLE (SEE PG 10-054)	1	
	1299 226 H91	.COVER ASSY, OUTLET	1	
7	NSS	..COVER, OUTLET	1	
8	9410 362	..PLUG, PORT	1	
	297 459 R1	..RING, SEAL	1	
	1299 227 H1	.KIT, BETWEEN SECTION	4	F1
9	NSS	..RING, SEAL	2	
10	NSS	..RING, SEAL	2	
	1299 228 H1	.KIT, STUD	1	
11	NSS	..BOLT, HEX	3	
12	NSS	..NUT, HEX	3	

F1 - SEAL KIT CONTAINS 2 SETS OF SEAL RINGS, NOT USED ON THIS VALVE.

HYDRAULICS

FOUR SPOOL CONTROL VALVE



C10BH023

HYDRAULICS

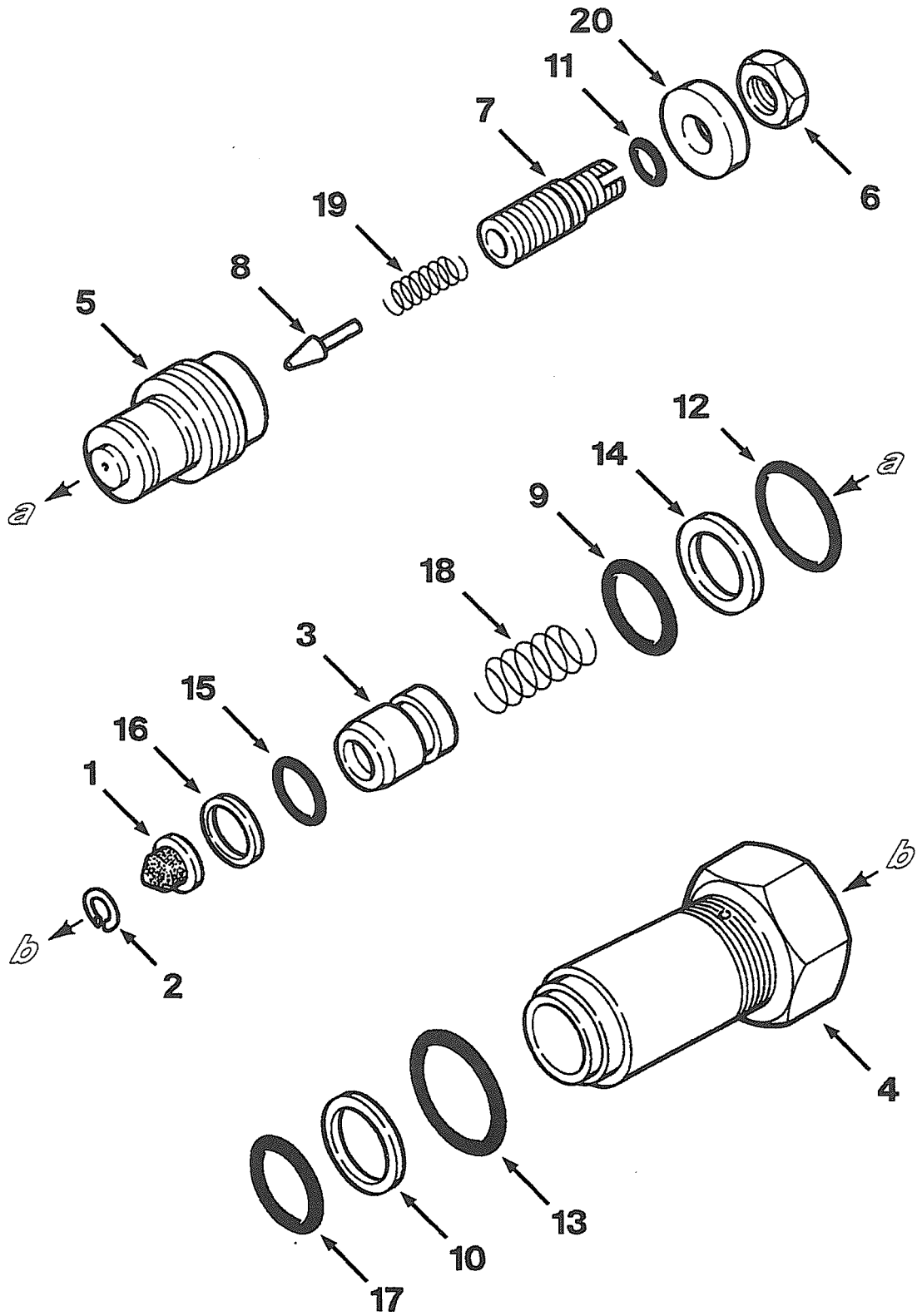
FOUR SPOOL CONTROL VALVE

Item	Part Number	Description	Qty.	Ref.
	1277 082 H91	VALVE ASSY, FOUR SPOOL CONTROL	1	
	1299 222 H91	.COVER ASSY, INLET	1	
1	NSS	..COVER, INLET	1	
2		..VALVE, SYSTEM RELIEF (SEE PG 10-048)	1	
3	9410 361	..PLUG, PORT	1	
	368 269 R1	..RING, SEAL	1	
4		.SECTION, BLADE LIFT (SEE PG 10-050)	1	
5		.SECTION, BLADE TILT (SEE PG 10-052)	1	
6		.SECTION, BLADE ANGLE (SEE PG 10-054)	1	
7		.SECTION, RIPPER (SEE PG 10-054)	1	
	1299 226 H91	.COVER ASSY, OUTLET	1	
8	NSS	..COVER, OUTLET	1	
9	9410 362	..PLUG, PORT	1	
	297 459 R1	..RING, SEAL	1	
	1299 227 H1	.KIT, BETWEEN SECTION	5	F1
10	NSS	..RING, SEAL	2	
11	NSS	..RING, SEAL	2	
	1299 229 H1	.KIT, STUD	1	
12	NSS	..BOLT, MOUNTING	3	
13	NSS	..NUT, HEX	3	

F1 - SEAL KIT CONTAINS 2 SETS OF SEAL RINGS NOT USED ON THIS VALVE.

HYDRAULICS

SYSTEM RELIEF VALVE



C10BH029

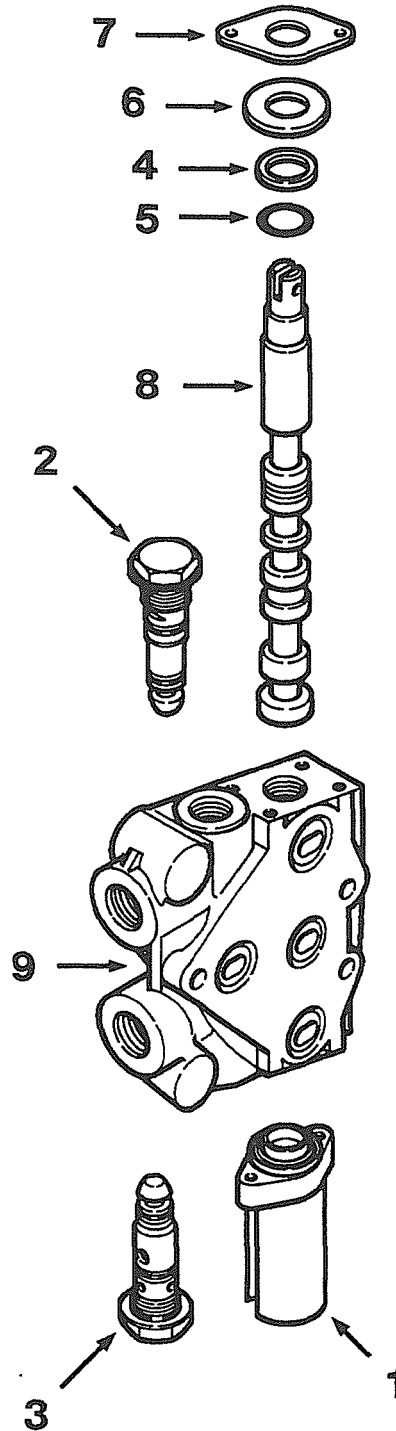
HYDRAULICS

SYSTEM RELIEF VALVE

Item	Part Number	Description	Qty.	Ref.
	1299 230 H91	VALVE ASSY, SYSTEM RELIEF	1	
1	NSS	.SCREEN, FILTER	1	
2	NSS	.RING, RETAINING	1	
3	NSS	.POPPET, MAIN RELIEF	1	
4	NSS	.BODY, VALVE	1	
5	NSS	.CAP, END	1	
6	NSS	.NUT, JAM	1	
7	NSS	.SCREW, ADJUSTING	1	
8	NSS	.POPPET, PILOT	1	
	1299 231 H1	.KIT, SEAL	1	
9	NSS	..RING, SEAL	1	
10	NSS	..RING, BACK-UP	1	
11	NSS	..RING, SEAL	1	
12	NSS	..RING, SEAL	1	
13	NSS	..RING, SEAL	1	
14	NSS	..RING, BACK-UP	1	
15	NSS	..RING, BACK-UP	1	
16	NSS	..RING, SEAL	1	
17	NSS	..RING, SEAL	1	
18	NSS	.SPRING, MAIN RELIEF POPPET	1	
19	NSS	.SPRING, PILOT POPPET	1	
20	NSS	.WASHER, FLAT - 3/8	1	

HYDRAULICS

BLADE LIFT SECTION



C10BH025

HYDRAULICS

BLADE LIFT SECTION

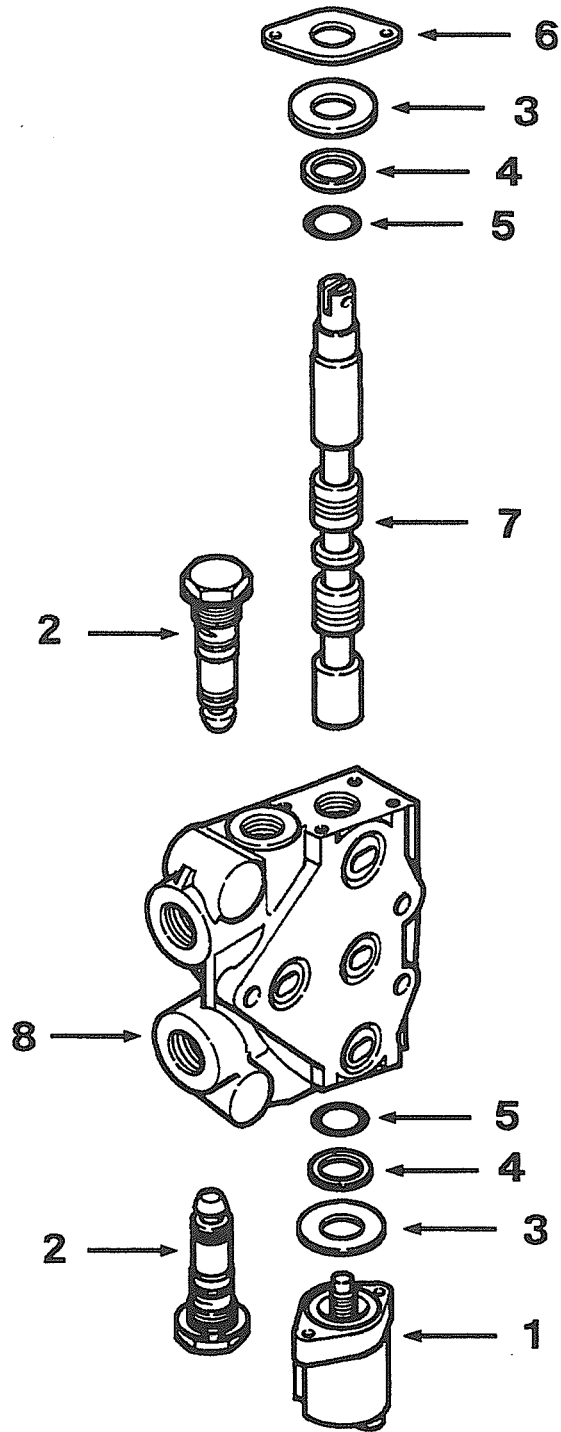
Item	Part Number	Description	Qty.	Ref.
	1299 223 H91	SECTION ASSY, BLADE LIFT	1	
1		.POSITIONER, DETENT (SEE PG 10-056)	1	
2		.VALVE, LOAD CHECK (SEE PG 10-060)	1	
3		.VALVE, ANTI-CAVITATION (SEE PG 10-062)	1	
	<i>1299 238 H91</i>	<i>.SEAL ASSY, SPOOL</i>	1	F1
	1299 239 H1	..KIT, SPOOL SEAL	1	
4	NSS	...WASHER, BACK UP	1	
5	NSS	...RING, SEAL	1	
6	850 880 C1	..RETAINER	1	
	1299 240 H1	.KIT, SEAL PLATE	1	
7	NSS	..PLATE, SEAL	1	F2
	NSS	..BOLT, HEX - 1/4NCx1/2	2	
8	NSS	.SPOOL, SECTION	1	
9	NSS	.HOUSING, SECTION	1	

F1 - PART NUMBER IS A NON-SERVICE PART AND IS LISTED FOR REFERENCE ONLY.
ORDER INDIVIDUAL PIECE PARTS.

F2 - FOR SHIPPING PURPOSES ONLY. USE FOR SERVICING SECTION.

HYDRAULICS

BLADE TILT SECTION



C10BH026

HYDRAULICS

BLADE TILT SECTION

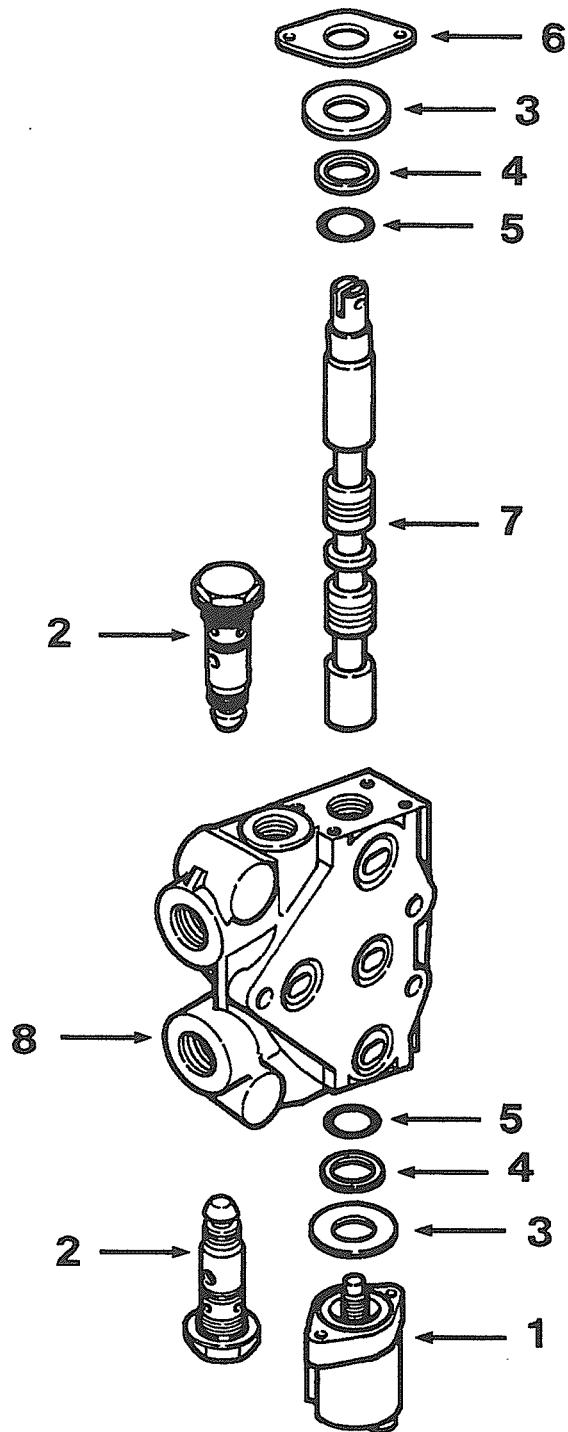
Item	Part Number	Description	Qty.	Ref.
	1299 224 H91	SECTION ASSY, BLADE TILT	1	
1		.POSITIONER, SPOOL (SEE PG 10-058)	1	
2		.VALVE, LOAD CHECK (SEE PG 10-060)	2	
	1299 238 H91	.SEAL ASSY, SPOOL	2	F1
3	850 880 C1	..RETAINER, SEAL	1	
	1299 239 H1	..KIT, SEAL	1	
4	NSS	...RING, BACK UP	1	
5	NSS	...RING, SEAL	1	
	1299 240 H1	.KIT, SEAL PLATE	1	
6	NSS	..PLATE, SEAL	1	F2
	NSS	..BOLT, HEX - 1/4NCx1/2	2	
7	NSS	.SPOOL, SECTION	1	
8	NSS	.HOUSING, SECTION	1	

F1 - PART NUMBER IS A NON-SERVICE PART AND IS LISTED FOR REFERENCE ONLY.
 ORDER INDIVIDUAL PIECE PARTS.

F2 - FOR SHIPPING PURPOSES ONLY. USE FOR SERVICING SECTION.

HYDRAULICS

BLADE ANGLE OR RIPPER SECTION



C10BH032

HYDRAULICS

BLADE ANGLE OR RIPPER SECTION

Item	Part Number	Description	Qty.	Ref.
	1299 225 H91	SECTION ASSY, BLADE ANGLE OR RIPPER	1	F1
1		.POSITIONER, SPOOL (SEE PG 10-058)	1	
2		.VALVE, ANTI CAVITATION (SEE PG 10-062)	2	
	1299 238 H91	.SEAL ASSY, SPOOL	2	F2
3	850 880 C1	..RETAINER, SEAL	1	
	1299 239 H1	..KIT, SEAL	1	
4	NSS	...RING, BACK UP	1	
5		...RING, SEAL	1	
	1299 240 H1	.KIT, SEAL PLATE	1	
6	NSS	..PLATE, SEAL	1	F3
	NSS	..BOLT, HEX - 1/4NCx1/2	2	
7	NSS	.SPOOL, SECTION	1	
8	NSS	.HOUSING, SECTION	1	

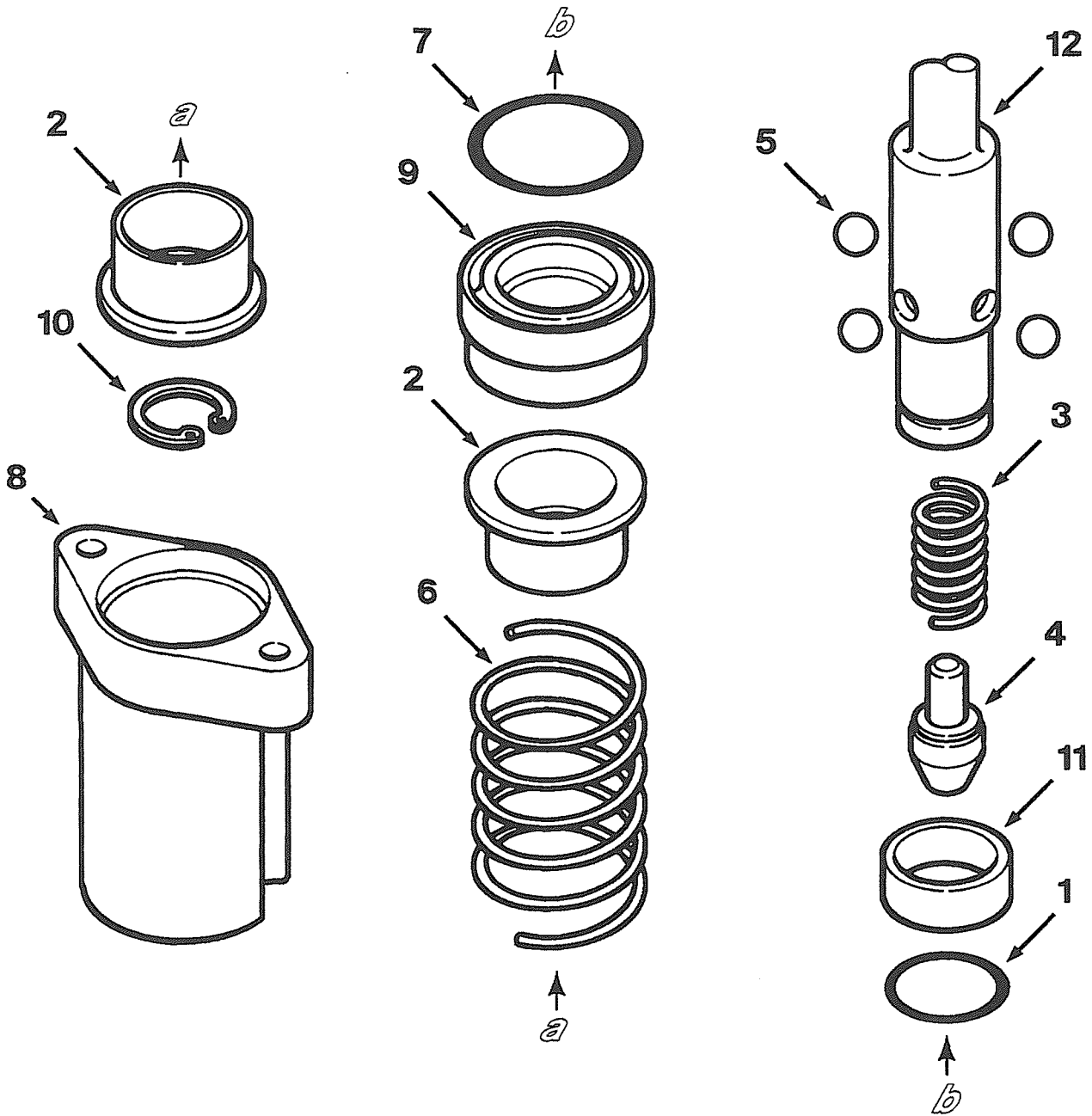
F1 - ONE SECTION USED WITH THREE SPOOL OR TWO SECTIONS USED WITH FOUR SPOOL VALVE.

F2 - PART NUMBER IS A NON-SERVICE PART AND IS LISTED FOR REFERENCE ONLY. ORDER INDIVIDUAL PIECE PARTS.

F3 - FOR SHIPPING PURPOSES ONLY. USE FOR SERVICING SECTION.

HYDRAULICS

DETENT POSITIONER



C10BH024

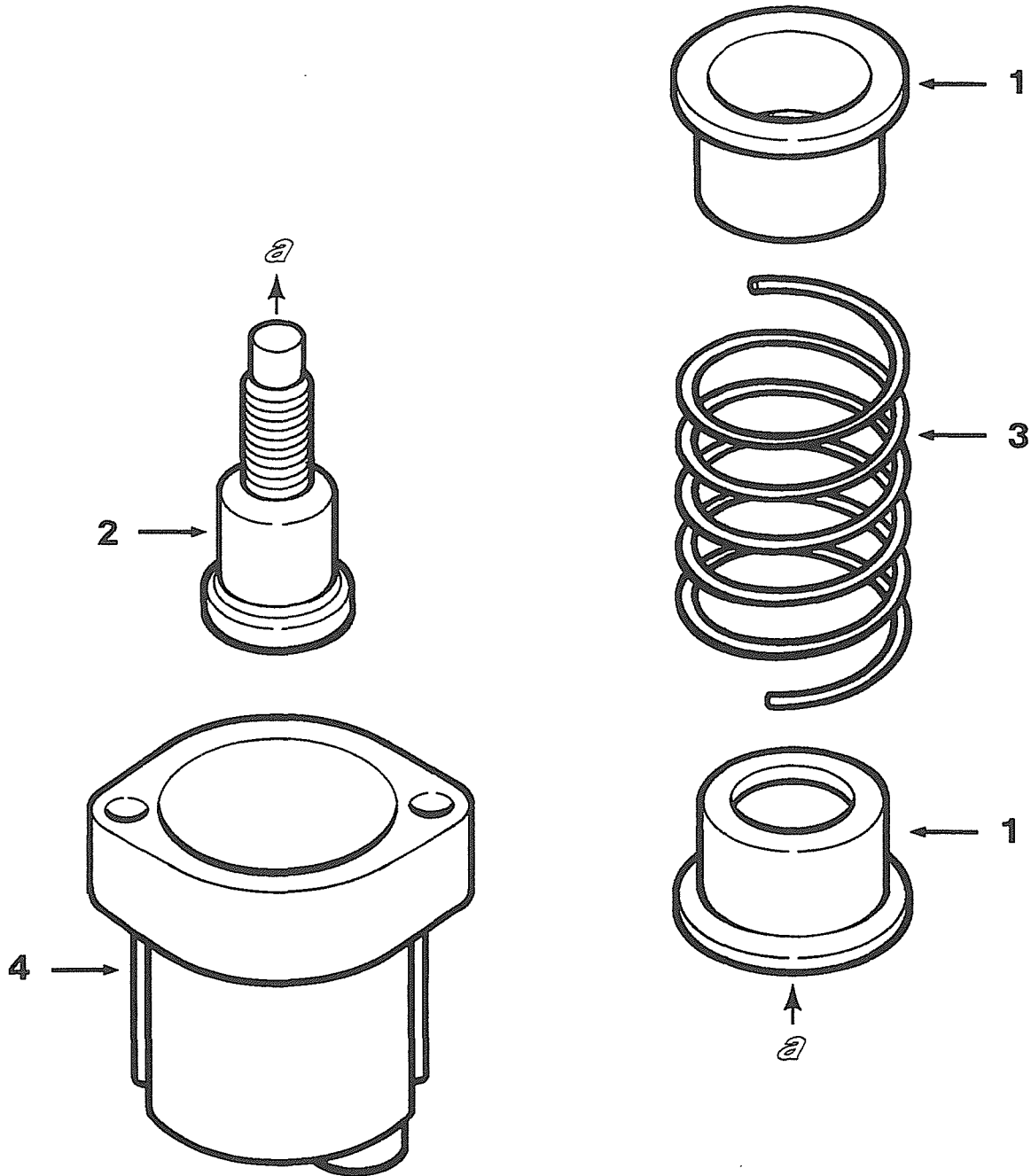
HYDRAULICS

DETENT POSITIONER

Item	Part Number	Description	Qty.	Ref.
	1299 232 H91	POSITIONER ASSY, DETENT	1	
1	850 130 C1	.SEAL, SPOOL	1	
2	850 132 C1	.COLLAR, STOP	2	
3	850 133 C1	.SPRING, DETENT	1	
4	850 134 C1	.FOLLOWER, DETENT BALL	1	
5	17 007 R1	.BALL, DETENT - 7/32	4	
6	1299 233 H1	.SPRING, CENTERING	1	
7	1299 234 H1	.SEAL, RING	1	
8	NSS	.BONNET, FLOAT	1	
	NSS	.BOLT, MOUNTING	2	
	NSS	.WASHER, FLAT	2	
9	NSS	.SLEEVE, DETENT	1	
10	NSS	.RING, RETAINING	1	
11	NSS	.SLEEVE, RETAINER	1	
12	NSS	SPOOL, BLADE LIFT (SEE PG 10-050)	1	

HYDRAULICS

SPOOL POSITIONER



C10BH031

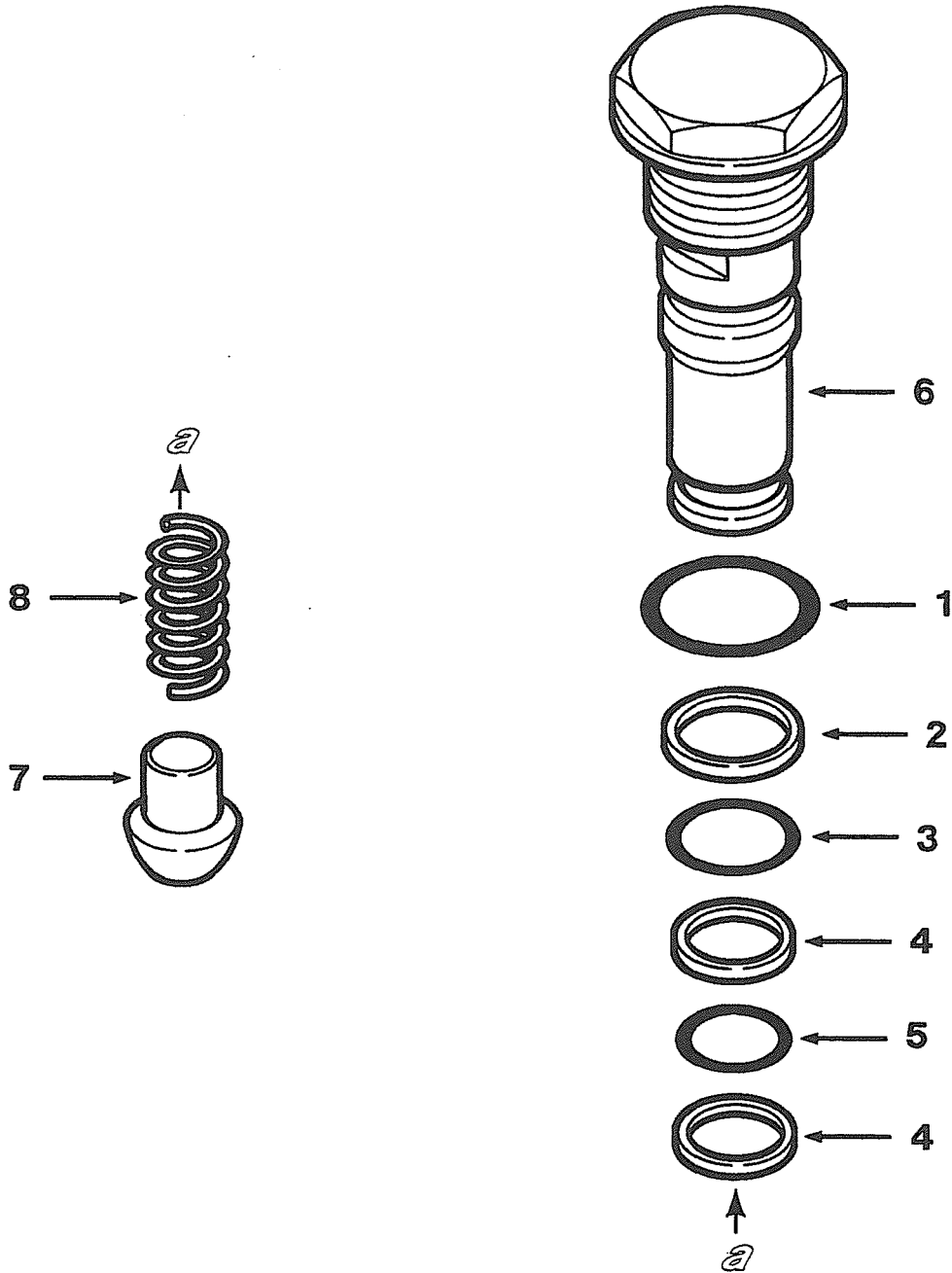
HYDRAULICS

SPOOL POSITIONER

Item	Part Number	Description	Qty.	Ref.
	1299 241 H91	POSITIONER ASSY, TILT SPOOL	1	
1	850 138 C1	.COLLAR, STOP	2	
2	850 144 C1	.COLLAR, SPOOL	1	
3	1299 242 H1	.SPRING, CENTERING	1	
4	NSS	.BONNET, CENTERING SPRING	1	
	217 904	.BOLT, HEX - 1/4NCx7/8	2	
	1299 243 H91	POSITIONER ASSY, ANGLE OR RIPPER SPOOL	1	
1	850 138 C1	.COLLAR, STOP	2	
2	850 144 C1	.COLLAR, SPOOL	1	
3	1299 244 H1	.SPRING, CENTERING	1	
4	NSS	.BONNET, CENTERING SPRING	1	
	217 904	.BOLT, HEX - 1/4NCx7/8	2	

HYDRAULICS

LOAD CHECK VALVE



C10BH027

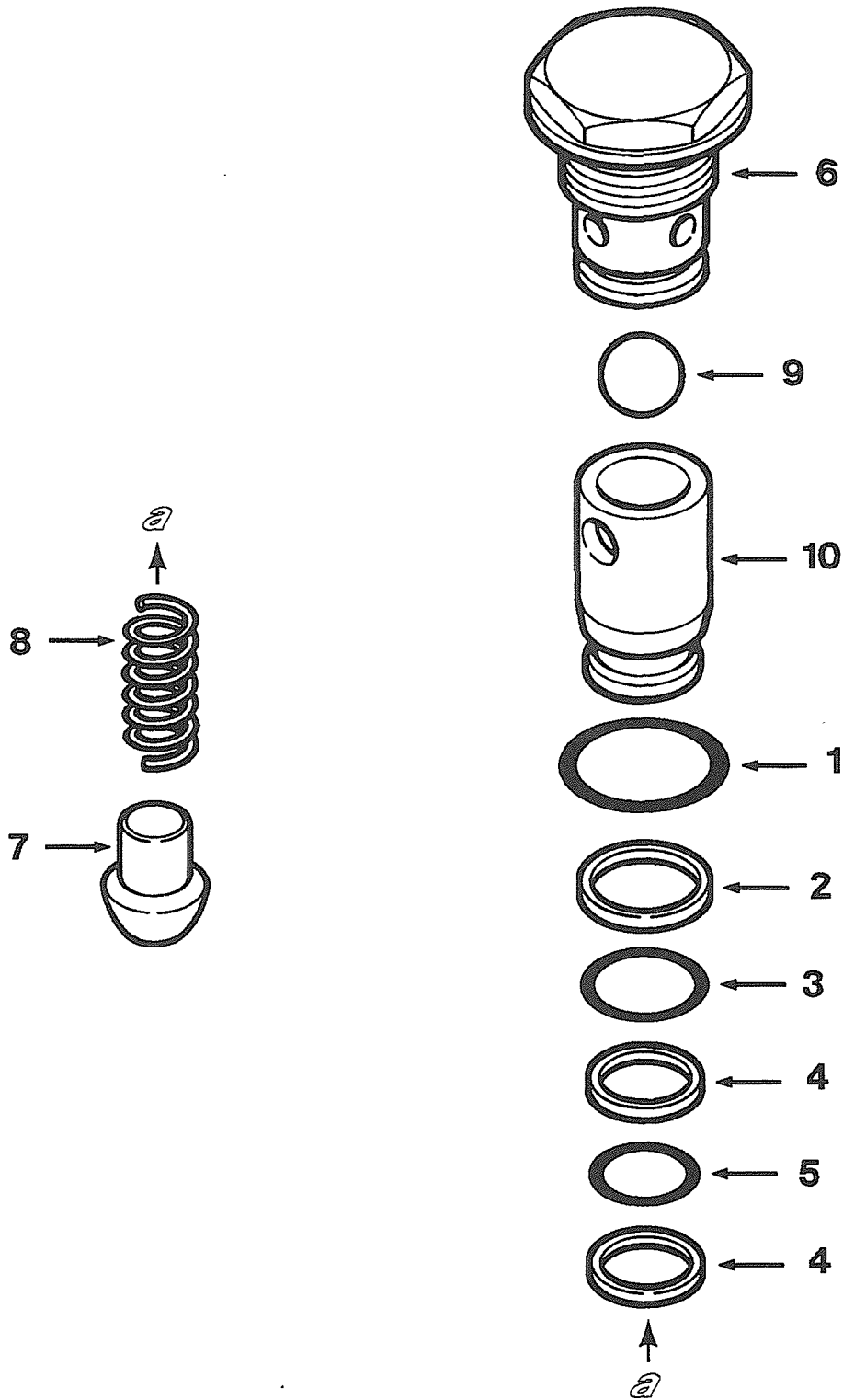
HYDRAULICS

LOAD CHECK VALVE

Item	Part Number	Description	Qty.	Ref.
	1299 235 H91	VALVE ASSY, LOAD CHECK	1	
	1299 236 H1	.KIT, SEAL	1	
1	NSS	..RING, SEAL	1	
2	NSS	..RING, BACK UP	1	
3	NSS	..RING, SEAL	1	
4	NSS	..RING, BACK UP	2	
5	NSS	..RING, SEAL	1	
6	NSS	.BODY, VALVE	1	
7	666 719 R1	.POPPET, CHECK	1	
8	1435 685 H1	.SPRING, POPPET	1	

HYDRAULICS

ANTI CAVITATION VALVE



C10BH028

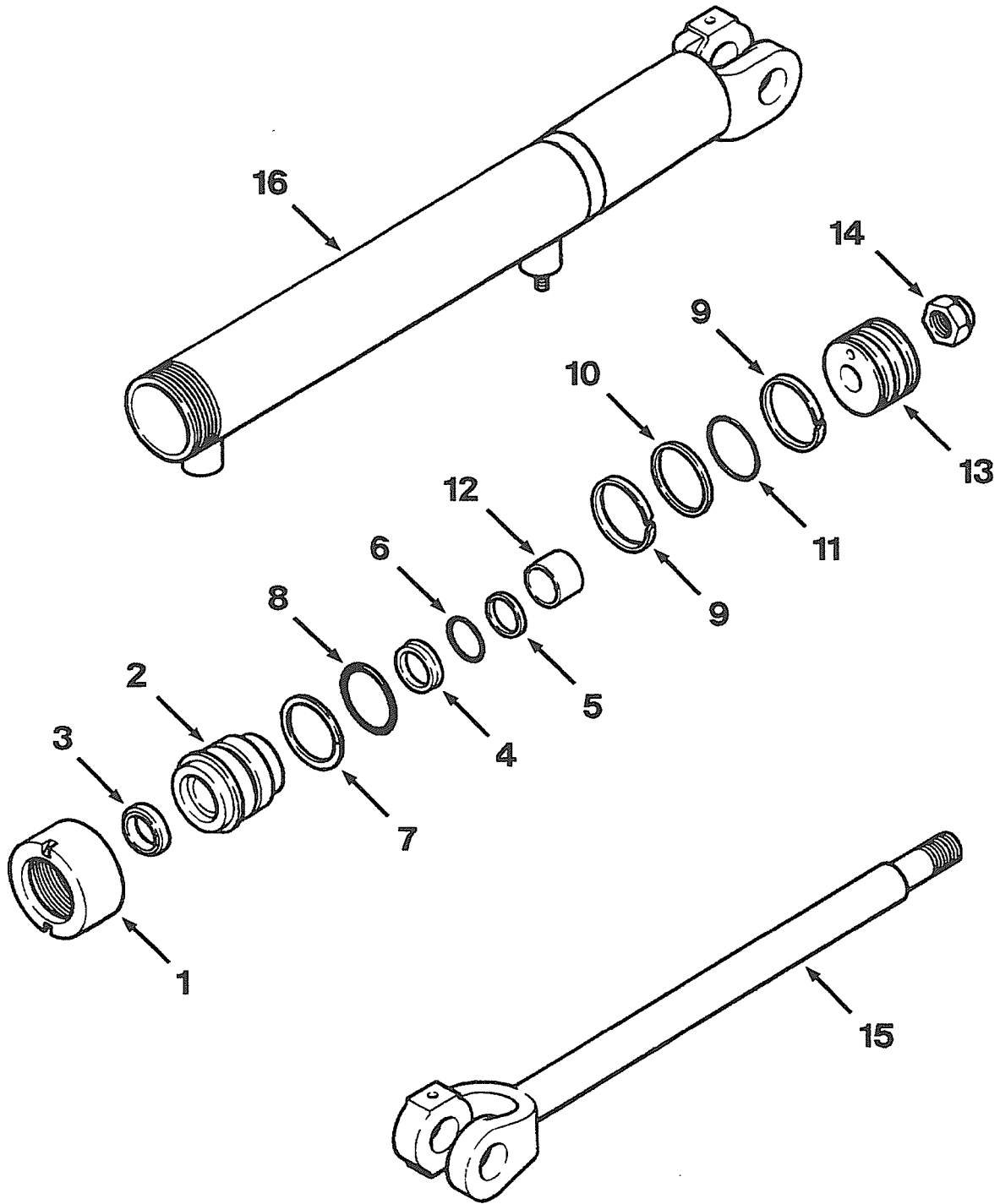
HYDRAULICS

ANTI CAVITATION VALVE

Item	Part Number	Description	Qty.	Ref.
	1299 237 H91	VALVE ASSY, ANTI CAVITATION	1	
	1299 236 H1	.KIT, SEAL	1	
1	NSS	..RING, SEAL	1	
2	NSS	..RING, BACK UP	1	
3	NSS	..RING, SEAL	1	
4	NSS	..RING, BACK UP	2	
5	NSS	..RING, SEAL	1	
6	NSS	.BODY, CHECK BALL	1	
7	666 719 R1	.POPPET, CHECK	1	
8	1435 685 H1	.SPRING, POPPET	1	
9	1435 688 H1	.BALL, CHECK	1	
10	1435 690 H1	.RETAINER, CHECK BALL	1	

HYDRAULICS

BLADE LIFT CYLINDER



C10BR029

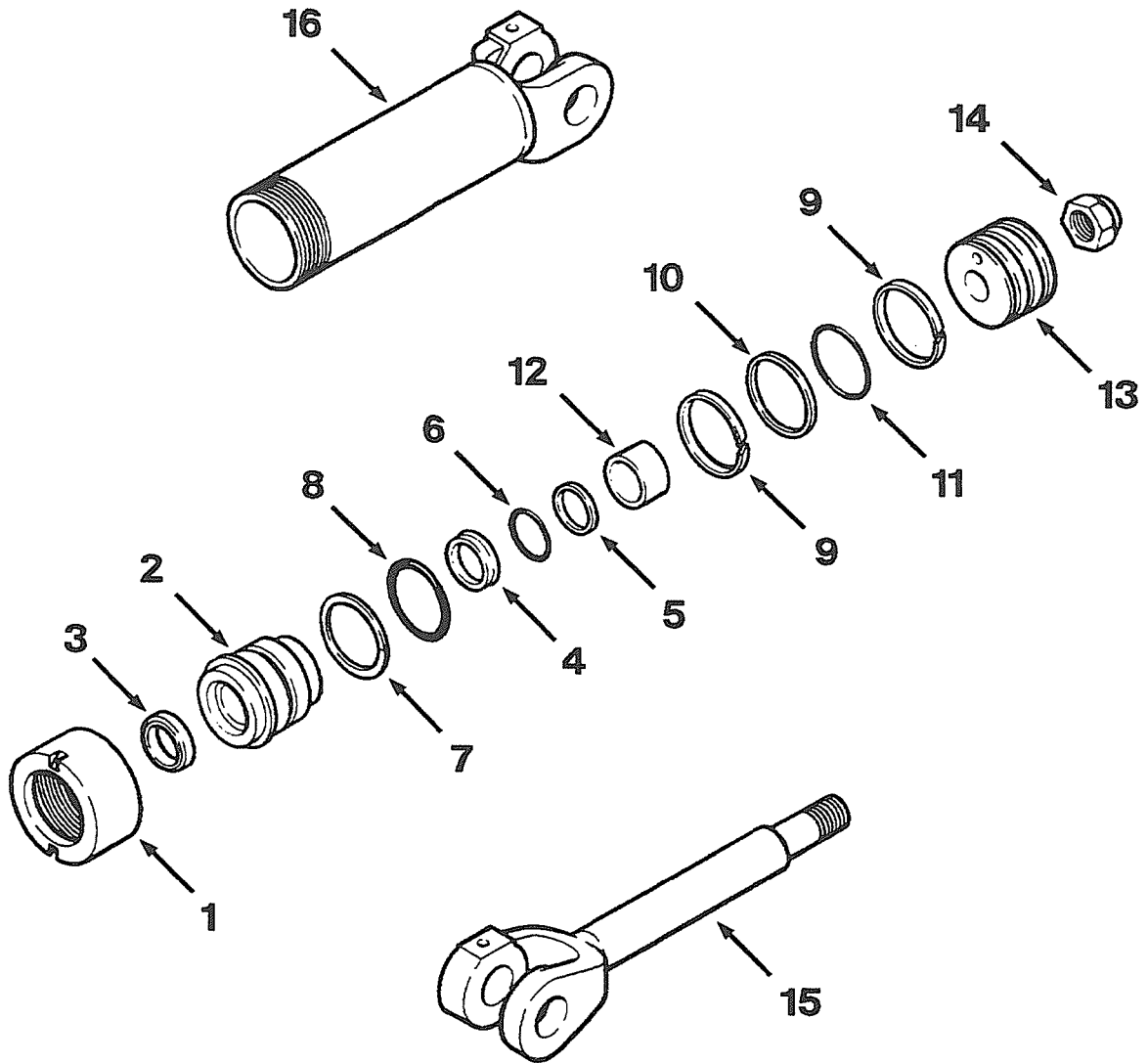
HYDRAULICS

BLADE LIFT CYLINDER

Item	Part Number	Description	Qty.	Ref.
	1261 282 H91	CYLINDER ASSY, BLADE LIFT	2	
1	944 817 C2	.RETAINER, GLAND	1	
2	1261 116 H1	.GLAND, CYLINDER	1	
	626 230 C6	.KIT, SEAL	1	
3	NSS	..WIPER, ROD	1	
4	NSS	..SEAL, ROD	1	
5	NSS	..RING, BUFFER	1	
6	NSS	..RING, SEAL	1	
7	NSS	..RING, BACKUP	1	
8	NSS	..RING, SEAL	1	
9	NSS	..RING, WEAR	2	
10	NSS	..RING, SEAL	1	
11	NSS	..RING, SEAL	1	
12	NSS	..RING, WEAR	1	
13	620 629 C1	.PISTON, CYLINDER	1	
14	25 126 R1	.NUT, LOCK - 1-1/8NF	1	
15	620 626 C1	.ROD, CYLINDER	1	} OPTIONAL
15	1304 049 H1	.ROD, CYLINDER	1	
16	1261 283 H91	.HOUSING, CYLINDER	1	

HYDRAULICS

BLADE TILT CYLINDER



C10BR030

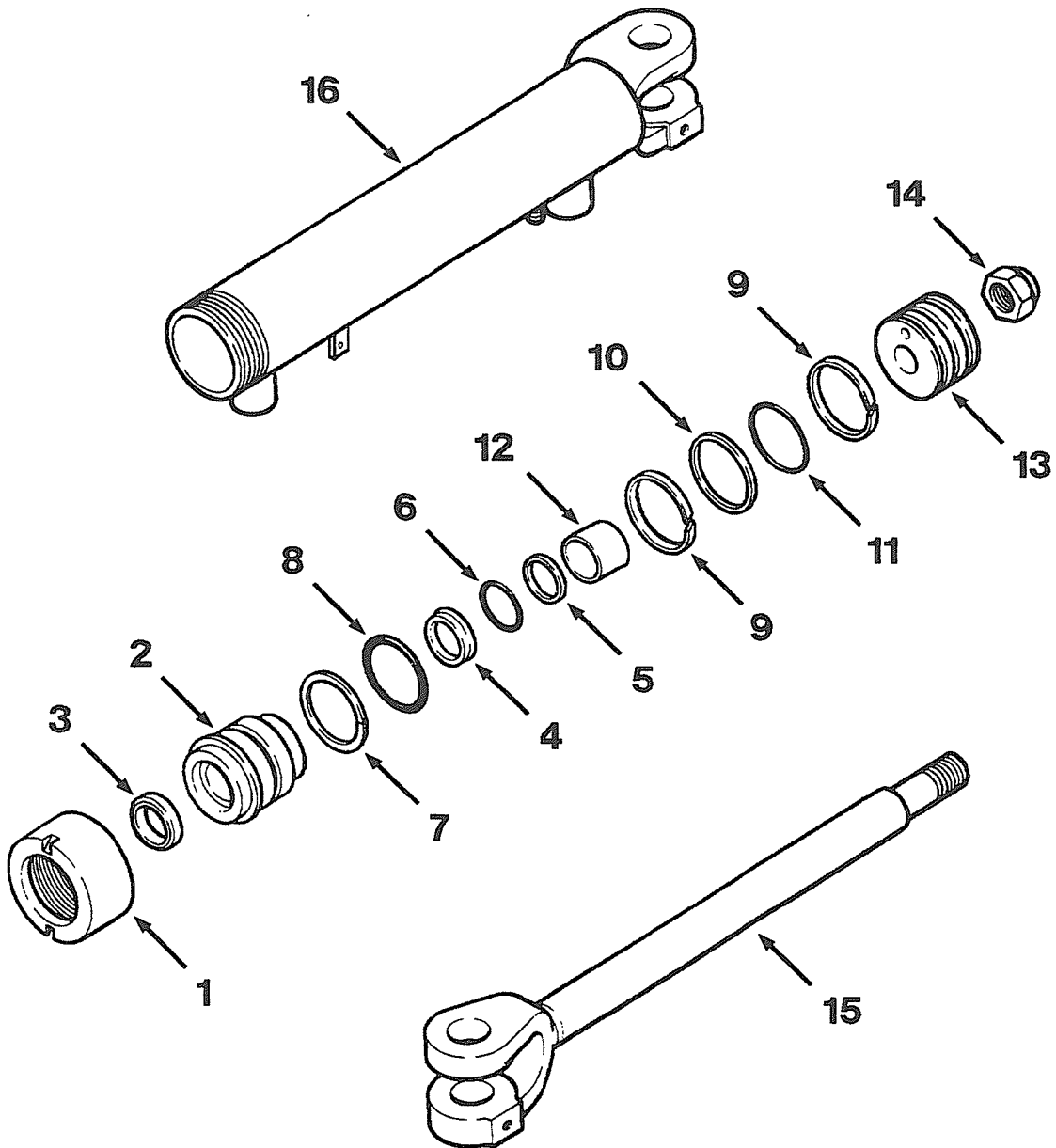
HYDRAULICS

BLADE TILT CYLINDER

Item	Part Number	Description	Qty.	Ref.
	620 635 C94	CYLINDER ASSY, BLADE TILT	1	
1	944 817 C2	.RETAINER, GLAND	1	
2	1261 116 H1	..GLAND, CYLINDER	1	
	626 230 C6	.KIT, SEAL	1	
3	NSS	..WIPER, ROD	1	
4	NSS	..SEAL, ROD	1	
5	NSS	..RING, BUFFER	1	
6	NSS	..RING, SEAL	1	
7	NSS	..RING, BACKUP	1	
8	NSS	..RING, SEAL	1	
9	NSS	..RING, WEAR	2	
10	NSS	..RING, SEAL	1	
11	NSS	..RING, SEAL	1	
12	NSS	..RING, WEAR	1	
13	620 629 C1	.PISTON, CYLINDER	1	
14	25 126 R1	.NUT, LOCK - 1-1/8NF	1	
15	620 638 C1	.ROD, CYLINDER	1	} OPTIONAL
15	1304 051 H1	.ROD, CYLINDER	1	
16	620 636 C1	.HOUSING, CYLINDER	1	

HYDRAULICS

BLADE ANGLE CYLINDER



C10BR031

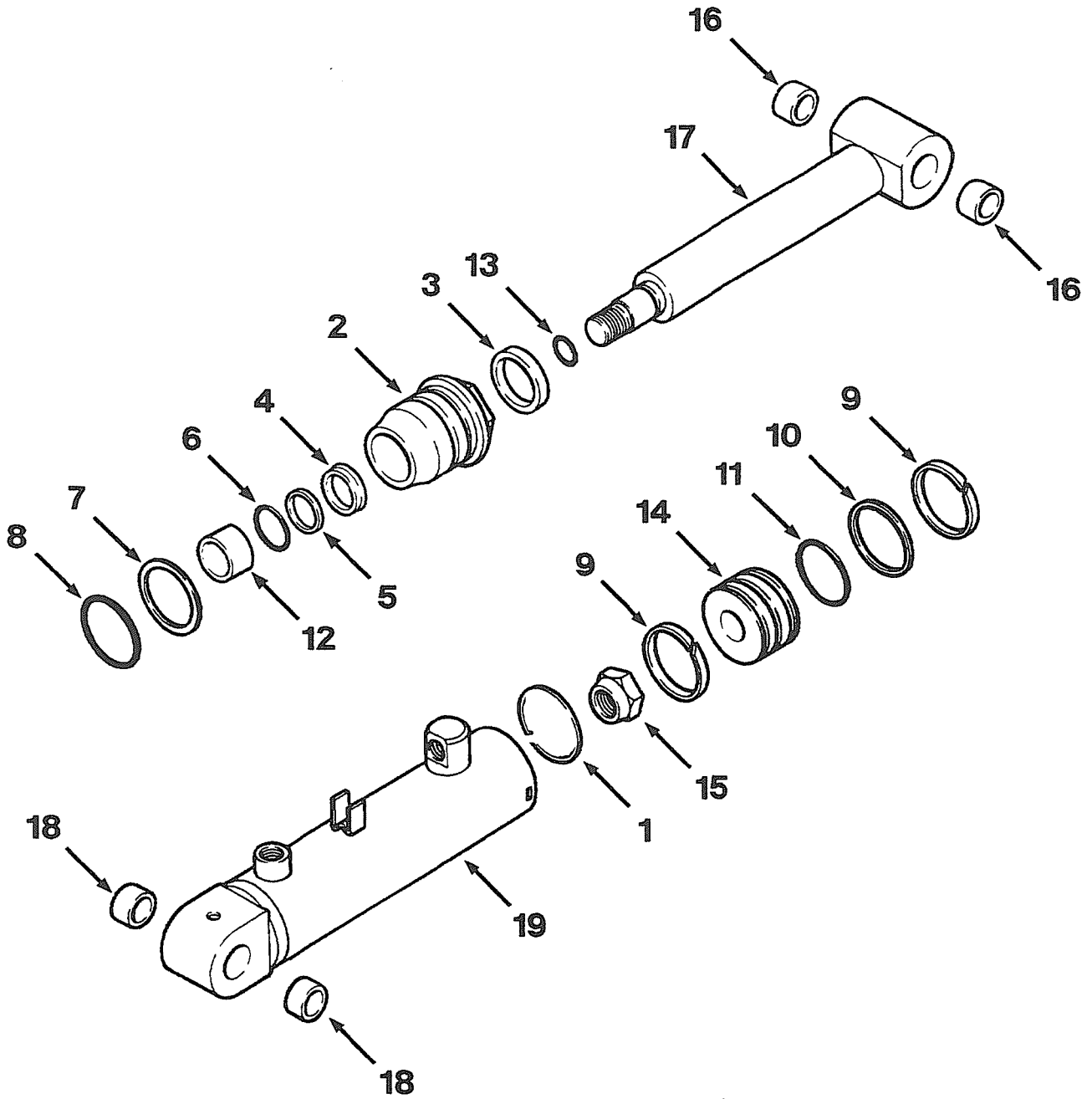
HYDRAULICS

BLADE ANGLE CYLINDER

Item	Part Number	Description	Qty.	Ref.
	620 630 C95	CYLINDER ASSY, ANGLE	2	
1	944 817 C2	.RETAINER, GLAND	1	
2	1261 116 H1	.GLAND, CYLINDER	1	
	626 230 C6	.KIT, SEAL	1	
3	NSS	..WIPER, ROD	1	
4	NSS	..SEAL, ROD	1	
5	NSS	..RING, BUFFER	1	
6	NSS	..RING, SEAL	1	
7	NSS	..RING, BACKUP	1	
8	NSS	..RING, SEAL	1	
9	NSS	..RING, WEAR	2	
10	NSS	..RING, SEAL	1	
11	NSS	..RING, SEAL	1	
12	NSS	..RING, WEAR	1	
13	620 629 C1	.PISTON, CYLINDER	1	
14	25 126 R1	.NUT, LOCK - 1-1/8NF	1	
15	620 633 C1	.ROD, CYLINDER	1	} OPTIONAL
15	1304 050 H1	.ROD, CYLINDER	1	
16	620 631 C2	.HOUSING, CYLINDER	1	

HYDRAULICS

RIPPER CYLINDER



C10BR032

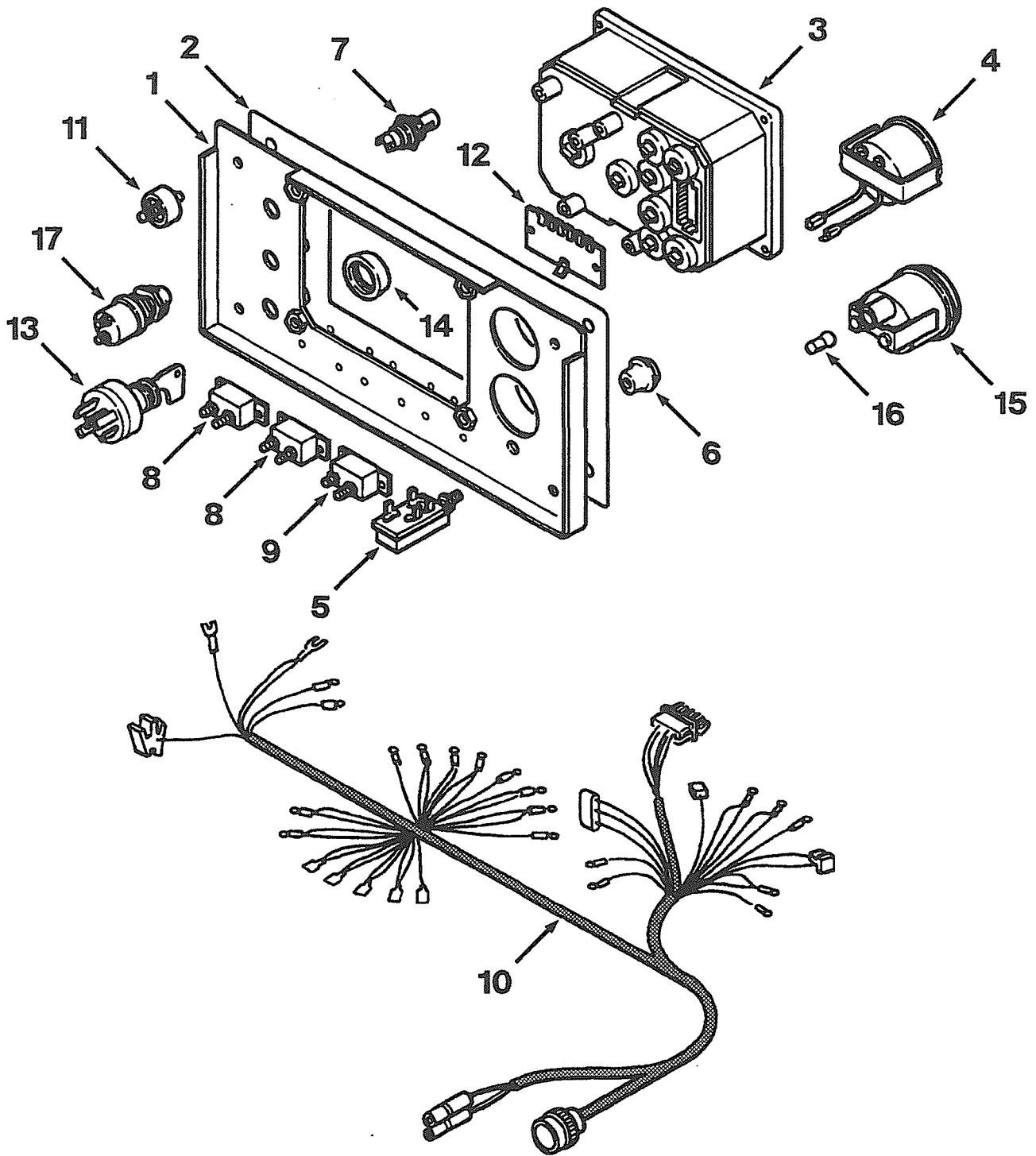
HYDRAULICS

RIPPER CYLINDER

Item	Part Number	Description	Qty.	Ref.
	529 789 R92	CYLINDER ASSY, RIPPER	2	
1	381 873 R1	.RING, RETAINER	1	
2	1261 115 H1	.GLAND, CYLINDER	1	
	626 231 C5	.KIT, SEAL	1	
3	NSS	..WIPER, ROD	1	
4	NSS	..SEAL, ROD	1	
5	NSS	..RING, BUFFER	1	
6	NSS	..RING, SEAL	1	
7	NSS	..RING, BACKUP	1	
8	NSS	..RING, SEAL	1	
9	NSS	..RING, WEAR	2	
10	NSS	..RING, SEAL	1	
11	NSS	..RING, SEAL	1	
12	NSS	..RING, WEAR	1	
13	NSS	..RING, SEAL - ROD	1	
14	387 371 R1	.PISTON, CYLINDER	1	
15	25 126 R1	.NUT, LOCK - 1-1/8NF	1	
	529 844 R1	.ROD ASSY, CYLINDER	1	
16	378 478 R1	..BUSHING, ROD	2	
17	NSS	..ROD, CYLINDER	1	
	529 841 R2	.HOUSING ASSY, CYLINDER	1	
18	378 478 R1	..BUSHING, HOUSING	2	
19	NSS	..HOUSING, CYLINDER	1	

INSTRUMENTS

INSTRUMENT PANEL



DCAB0026

INSTRUMENTS

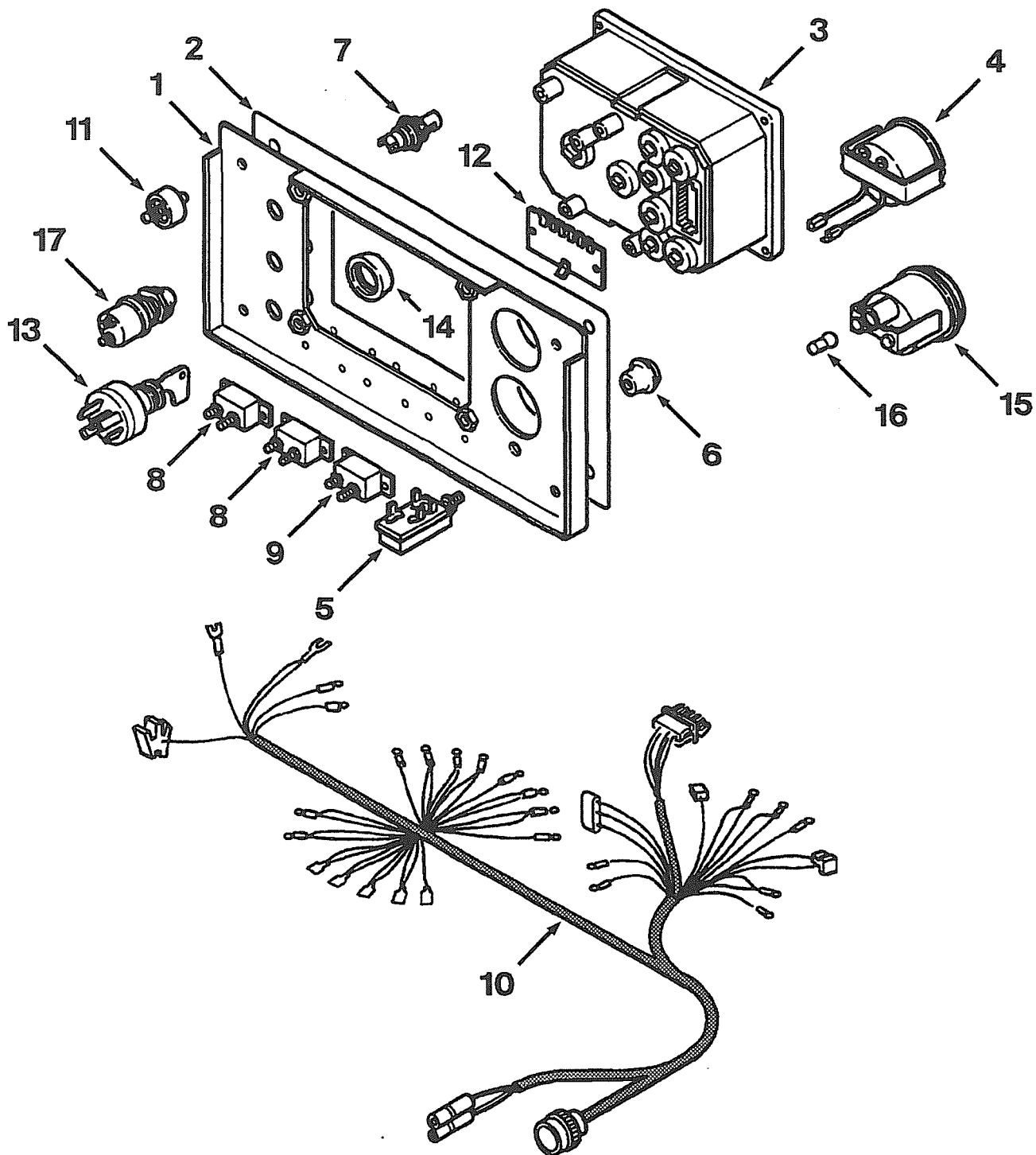
INSTRUMENT PANEL

Item	Part Number	Description	Qty.	Ref.
	1270 267 H91	PANEL AND GAUGES	1	F1
	1308 034 H91	.PANEL ASSY, INSTRUMENT	1	
1	1308 420 H91	..PANEL, INSTRUMENT	1	
2	1306 422 H1	..PRODUCT GRAPHIC, PANEL	1	
3		..CLUSTER, GAUGE (SEE PG 11-006)	1	
	179 389	..SCREW, MOUNTING - #10NCx3/4	4	
4	1220 651 H2	..HOURMETER	1	
5	606 298 C91	..SWITCH, LIGHTING	1	
	131 718	..WASHER, LOCK - 7/16	1	
6	740 347 C1	..KNOB, LIGHT SWITCH	1	
7	1270 235 H91	..LAMP, ILLUMINATION	1	} OPTIONAL
7	1283 725 H91	..LAMP, ILLUMINATION	1	
	934 946 R1	..WASHER, TOOTHED - M4	2	
8	1134 719 C1	..BREAKER, CIRCUIT - 20 AMP	2	
	159 339	..SCREW, MOUNTING - #6NCx1/2	4	
	116 117	..WASHER, LOCK - #6	4	
	115 997	..NUT, HEX - #6NC	4	
	106 497	..WASHER, LOCK - #10	4	} TERMINAL
	120 614	..NUT, HEX - #10NC	4	
9	1432 615 H1	..BREAKER, CIRCUIT - 6 AMP	1	
	159 339	..SCREW, MOUNTING - #6NCx1/2	2	
	116 117	..WASHER, LOCK - #6	2	
	115 997	..NUT, HEX - #6NC	2	
	106 497	..WASHER, LOCK - #10	2	} TERMINAL
	120 614	..NUT, HEX - #10NC	2	
10	1306 803 H91	..HARNESS, INSTRUMENT PANEL	1	
11	702 439 C1	..MOUNT, RUBBER	4	
	178 521	..WASHER, LOCK - 1/4	12	
	25 519 R1	..NUT, HEX - 1/4NC	4	
	131 593	..NUT, HIGH CROWN - 1/4NC	4	
12	1128 402 C1	..RECTIFIER DIODE	1	
	23 979 R1	..SCREW, MOUNTING - #8NCx1/2	2	
	131 015	..WASHER, FLAT - #8	2	
13	1308 180 H1	..SWITCH, KEY START	1	
	1308 333 H1	..KEY, SWITCH	2	
14	1308 915 H1	..NUT, MOUNTING	1	

CONTINUED ON NEXT PAGE

INSTRUMENTS

INSTRUMENT PANEL



DCAB0026

INSTRUMENTS

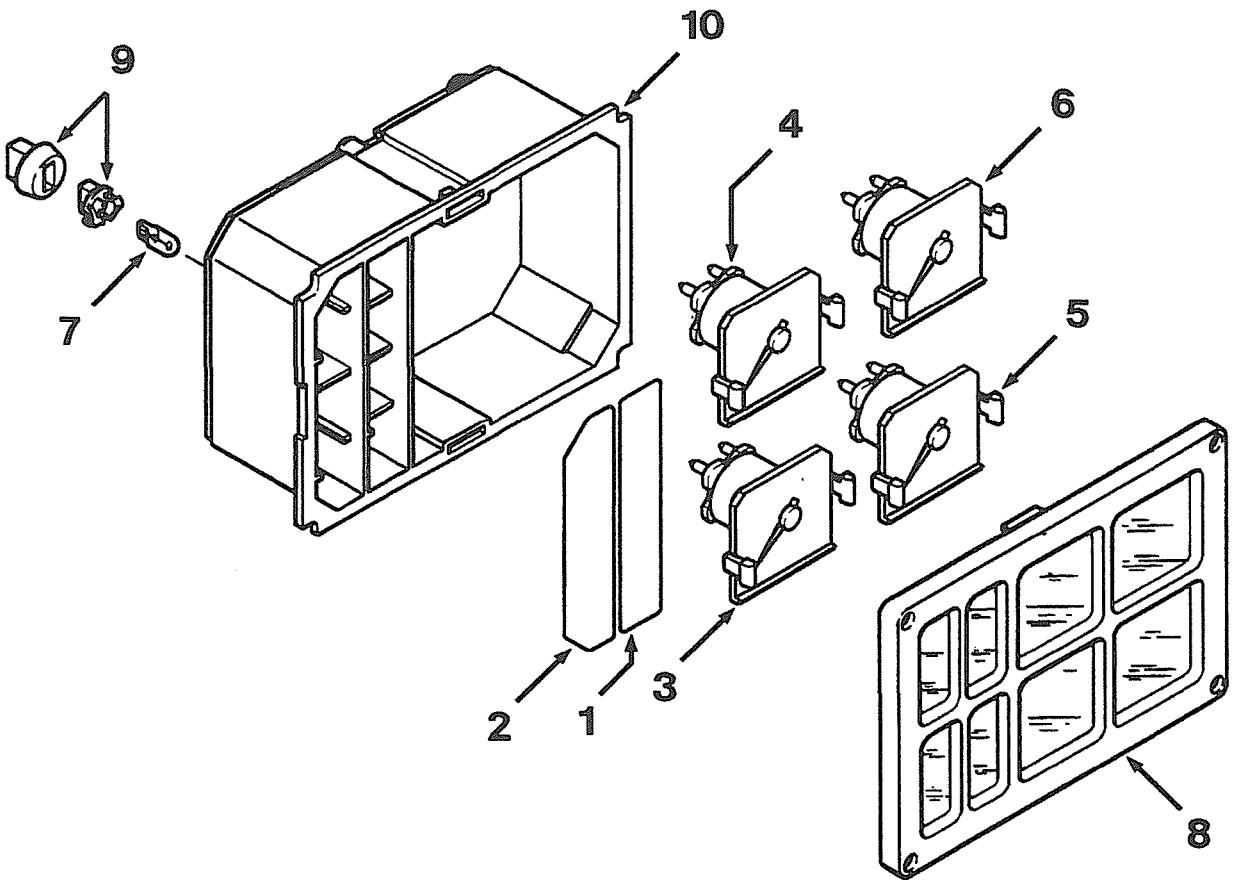
INSTRUMENT PANEL

Item	Part Number	Description	Qty.	Ref.
15	1306 621 H1	..GAUGE, FUEL LEVEL	1	
16	20 274 R1	..BULB, LAMP - #356	1	
	935 522 C1	..STRAP, TIE	1	
17	627 670 C1	SWITCH, ETHER START	1	} OPTIONAL
17	453 453 C1	SWITCH, ETHER START	1	

F1 - PART NUMBER IS A NON-SERVICE PART AND IS LISTED FOR REFERENCE ONLY.
ORDER INDIVIDUAL PIECE PARTS.

INSTRUMENTS

GAUGE CLUSTER



C11AH007

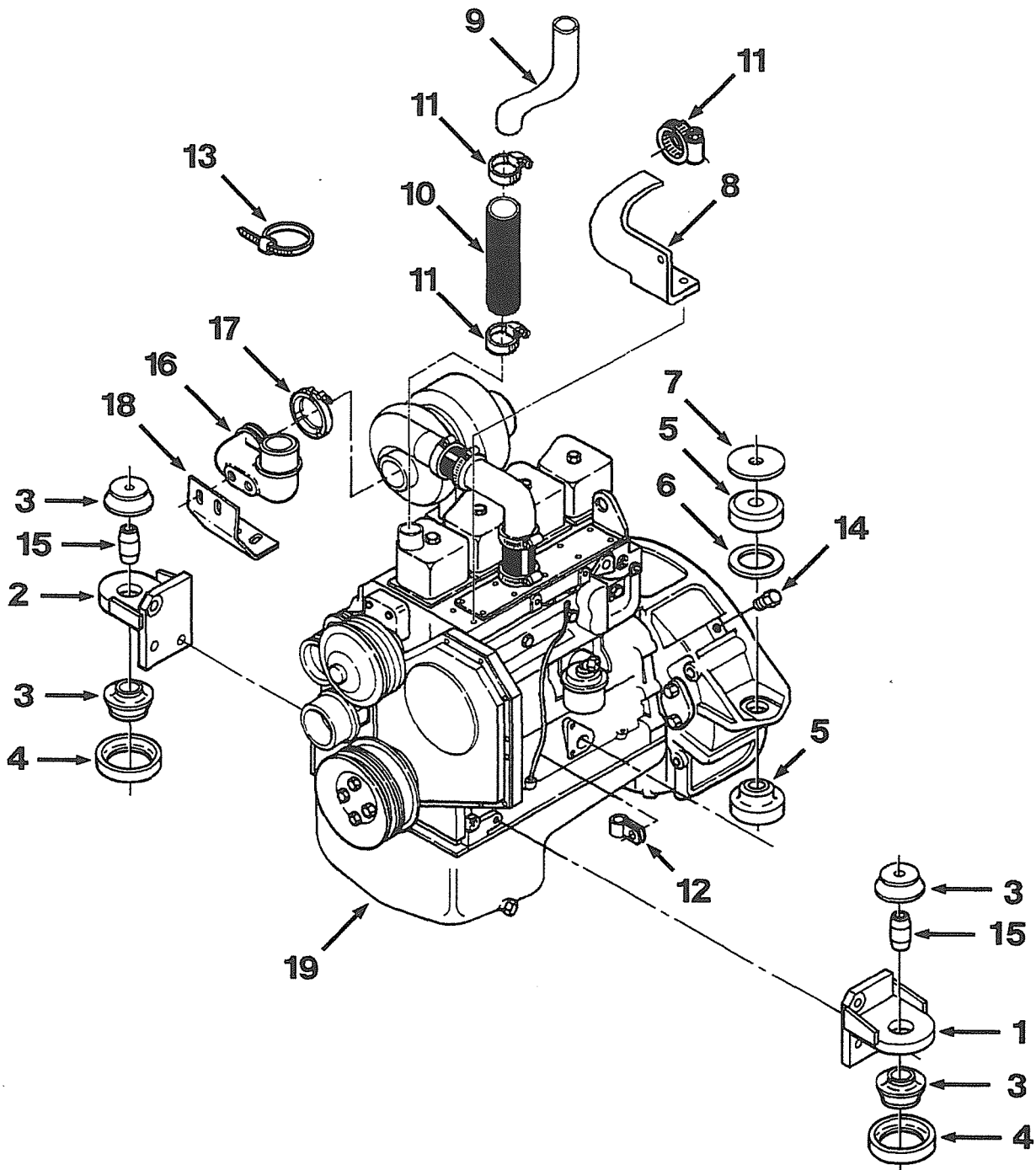
INSTRUMENTS

GAUGE CLUSTER

Item	Part Number	Description	Qty.	Ref.
	739 745 C91	CLUSTER ASSY, GAUGE	1	
1	1270 765 H1	.LENS, WARNING	1	
2	739 749 C1	.LENS, BLANK	1	
3	1270 345 H1	.GAUGE, TRANSMISSION TEMPERATURE	1	
4	1216 146 H1	.GAUGE, COOLANT TEMPERATURE	1	
5	1202 514 C1	.VOLTMETER	1	
6	739 746 H1	.GAUGE, ENGINE OIL PRESSURE	1	
7	20 627 R1	.BULB, LIGHT - #194	8	
8	121 608 C1	.BEZEL, CLUSTER	1	
9	121 611 C2	.SOCKET, BULB	8	
10	NSS	.HOUSING, CLUSTER	1	

POWER

ENGINE AND MOUNTING



C12AD014
C12AD014

POWER

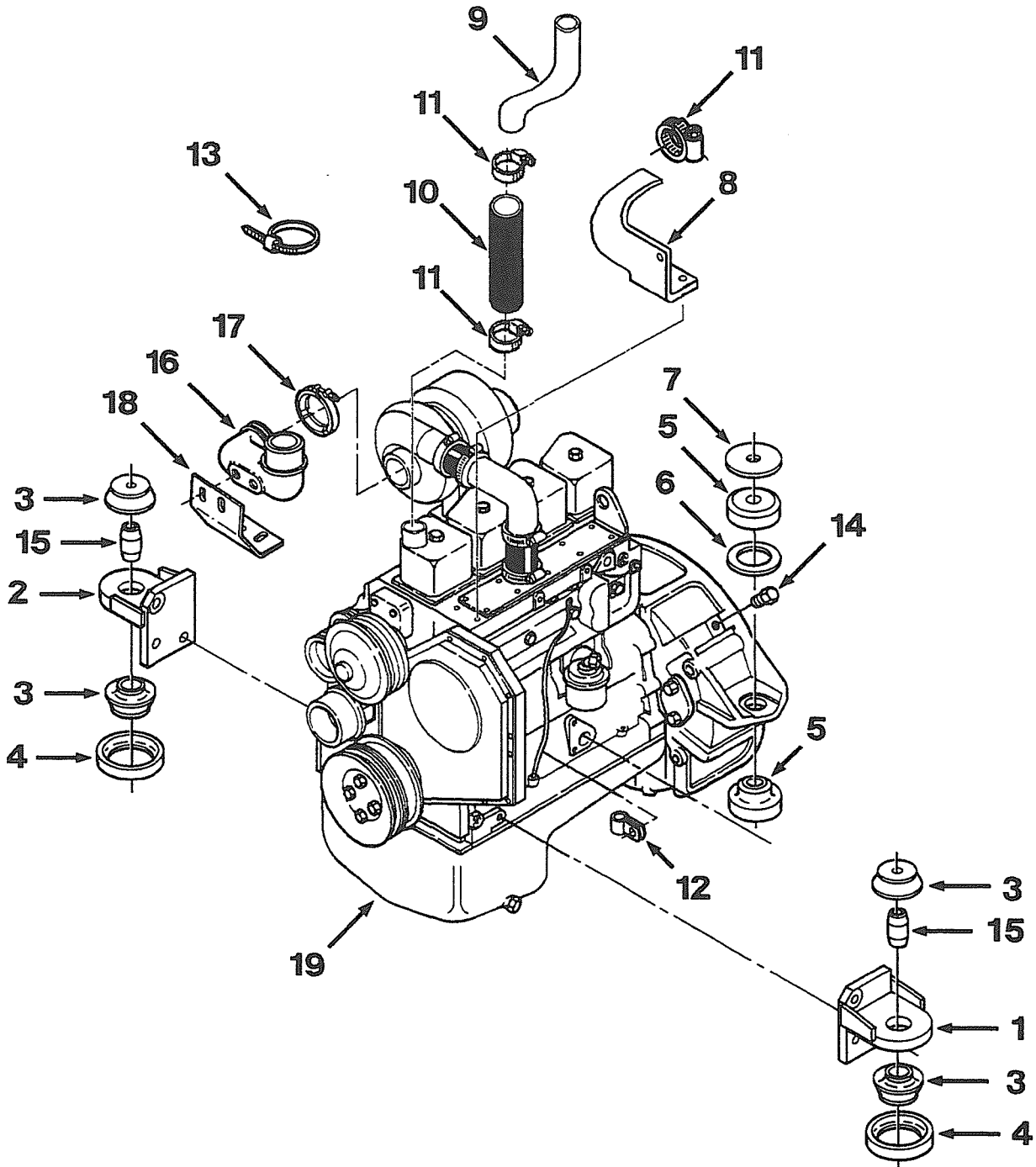
ENGINE AND MOUNTING

Item	Part Number	Description	Qty.	Ref.
	1311 113 H91	ENGINE AND MOUNTING	1	F1
1	1269 911 H91	.BRACKET, LEFT FRONT ENGINE	1	
	30 043 R1	.BOLT, HEX - M12x35	3	
	25 536 R1	.WASHER, FLAT - 1/2	3	
2	1269 910 H91	.BRACKET, RIGHT FRONT ENGINE	1	
	30 043 R1	.BOLT, HEX - M12x35	3	
	25 536 R1	.WASHER, FLAT - 1/2	3	
3	1277 978 H1	.BUSHING, FRONT	4	
4	1282 265 H1	.LIMITER, ENGINE	2	
	25 285 R1	.BOLT, HEX - 1/2NCx3-1/4	2	
	25 546 R1	.WASHER, FLAT - 1/2	2	
5	1284 656 H1	.BUSHING, REAR	2	
6	1299 272 H1	.SPACER, BUSHING	2	
7	1237 424 H1	.WASHER, BUSHING	2	
	24 881 R1	.BOLT, HEX - 5/8NCx4	2	
	25 547 R1	.WASHER, FLAT - 5/8	2	
8	1311 384 H1	.BRACKET, OIL FILL TUBE SUPPORT	1	
	30 302 R1	.BOLT, MOUNTING - M10x25	2	
	25 534 R1	.WASHER, FLAT - 3/8	2	
9	1311 383 H1	.TUBE, OIL FILL	1	
10		.HOSE - 3" LONG	1	F2
11	27 725 R1	.CLIP, CLOSED	3	
12	645 272 C1	.CLAMP, DIPSTICK	1	
	25 222 R1	.BOLT, HEX - 1/4NCx3/4	1	
	25 532 R1	.WASHER, FLAT - 1/4	2	
	25 519 R1	.NUT, HEX - 1/4NC	1	
13	935 522 C1	.STRAP, CABLE	2	
14	9410 359	.PLUG, HOUSING	1	
15	1282 183 H1	.SPACER, FRONT MOUNTING	2	
16	1281 792 H1	.ELBOW, TURBO OUTLET	1	
17	6732-81-8220	.CLAMP, V BAND	1	
18	1311 114 H1	.BRACKET, TURBO ELBOW	1	
	30 020 R1	.BOLT, HEX - M10x25	4	
	25 534 R1	.WASHER, FLAT - 3/8	4	
19	1305 055 H91	.ENGINE - S4D102E-1 (SEE PG 12-028)	1	

CONTINUED ON NEXT PAGE

POWER

ENGINE AND MOUNTING



C12AD014
C12AD014

POWER

ENGINE AND MOUNTING

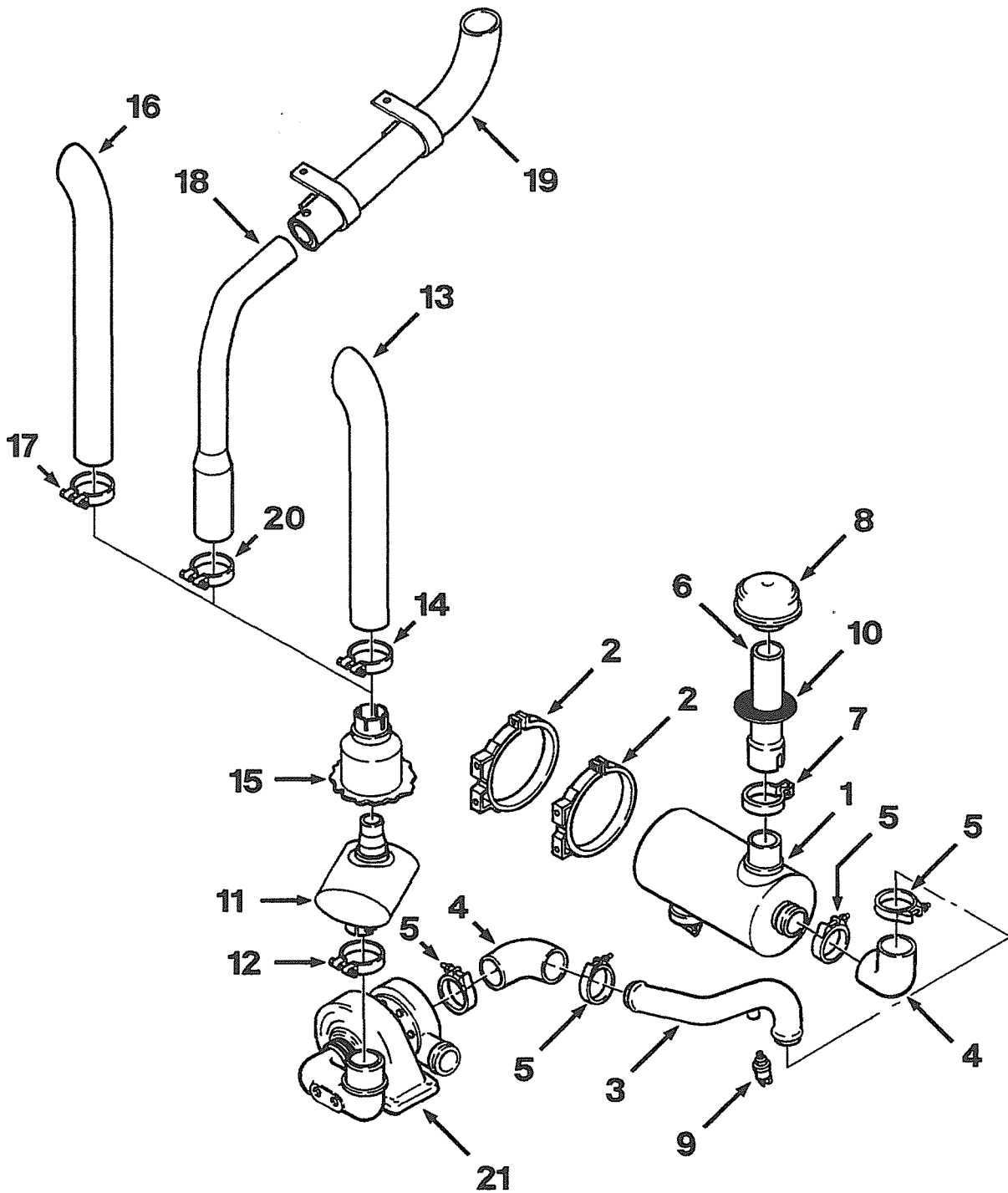
Item	Part Number	Description	Qty.	Ref.
------	-------------	-------------	------	------

F1 - PART NUMBER IS A NON-SERVICE PART AND IS LISTED FOR REFERENCE ONLY.
ORDER INDIVIDUAL PIECE PARTS.

F2 - CUT REQUIRED LENGTH FROM BULK HOSE 4011 329 R1.

POWER

AIR INTAKE AND EXHAUST SYSTEM



C12AR003

POWER

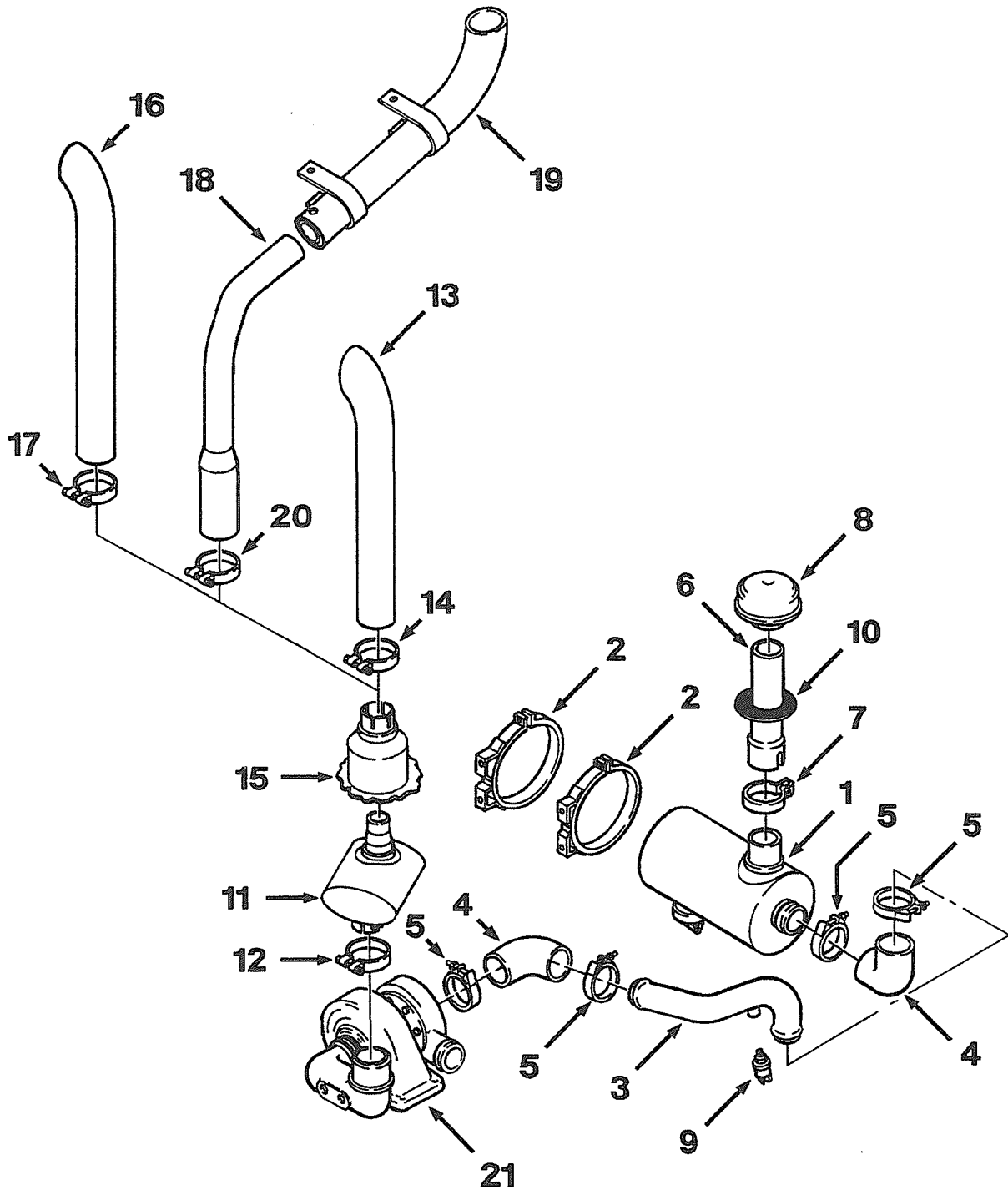
AIR INTAKE AND EXHAUST SYSTEM

Item	Part Number	Description	Qty.	Ref.
	<i>1270 312 H91</i>	<i>AIR INTAKE SYSTEM</i>	1	F1
1		.CLEANER, AIR (SEE PG 12-010)	1	
2	1260 202 H1	.BAND, MOUNTING	2	
	25 654 R1	.BOLT, HEX - 5/16NCx1-1/2	2	
	25 533 R1	.WASHER, FLAT - 5/16	4	
	9413 977	.NUT, LOCK - 5/16NC	2	
	25 955 R1	.BOLT, HEX - 5/16NCx5/8	4	
	25 543 R1	.WASHER, FLAT - 5/16	4	
3	1270 833 H91	.TUBE, OUTLET	1	
4	1108 177 C2	.ELBOW, HOSE	2	
5	613 625 C91	.CLAMP, T BOLT	4	
6	1299 271 H1	.PIPE, INLET	1	
7	663 432 C1	.CLAMP, PIPE	1	
	24 841 R1	.BOLT, HEX - 3/8NCx1-1/2	1	
	25 534 R1	.WASHER, FLAT - 3/8	2	
	25 522 R1	.NUT, HEX - 3/8NC	1	
8	49 464 DA	.CAP, AIR	1	
9		INDICATOR, AIR CLEANER (SEE PG 08-002 OR 010)	1	
10		GASKET, HOOD - ROPS CANOPY(SEE PG 13-002)	1	
10		GASKET, HOOD - ROPS CAB (SEE PG 13-006)	1	
	<i>1271 093 H91</i>	<i>EXHAUST SYSTEM</i>	1	F1
	1301 659 H1	.MUFFLER ASSY, EXHAUST	1	
11	NSS	..MUFFLER, EXHAUST	1	
12	NSS	..CLAMP, MUFFLER	1	
	<i>1300 843 H91</i>	<i>EXHAUST PIPE</i>	1	F1
13	1299 157 H1	.STACK, EXHAUST	1	
14	674 502 C1	.CLAMP, TUBE	1	
	275 804 R1	.BOLT, HEX - 3/8NCx3	1	
	25 544 R1	.WASHER, FLAT - 3/8	2	
	25 522 R1	.NUT, HEX - 3/8NC	1	
15		HOOD, SOLID (SEE PG 13-010)	1	
		HOOD, PERFORATED (SEE PG 13-012)	1	
	<i>1287 244 H91</i>	<i>PACKED EXHAUST STACK</i>	1	F1
16	1286 954 H91	.STACK, PACKED EXHAUST	1	
17	674 502 C1	.CLAMP, TUBE	1	
	275 804 R1	.BOLT, HEX - 3/8NCx3	1	

CONTINUED ON NEXT PAGE

POWER

AIR INTAKE AND EXHAUST SYSTEM



C12AR003

POWER

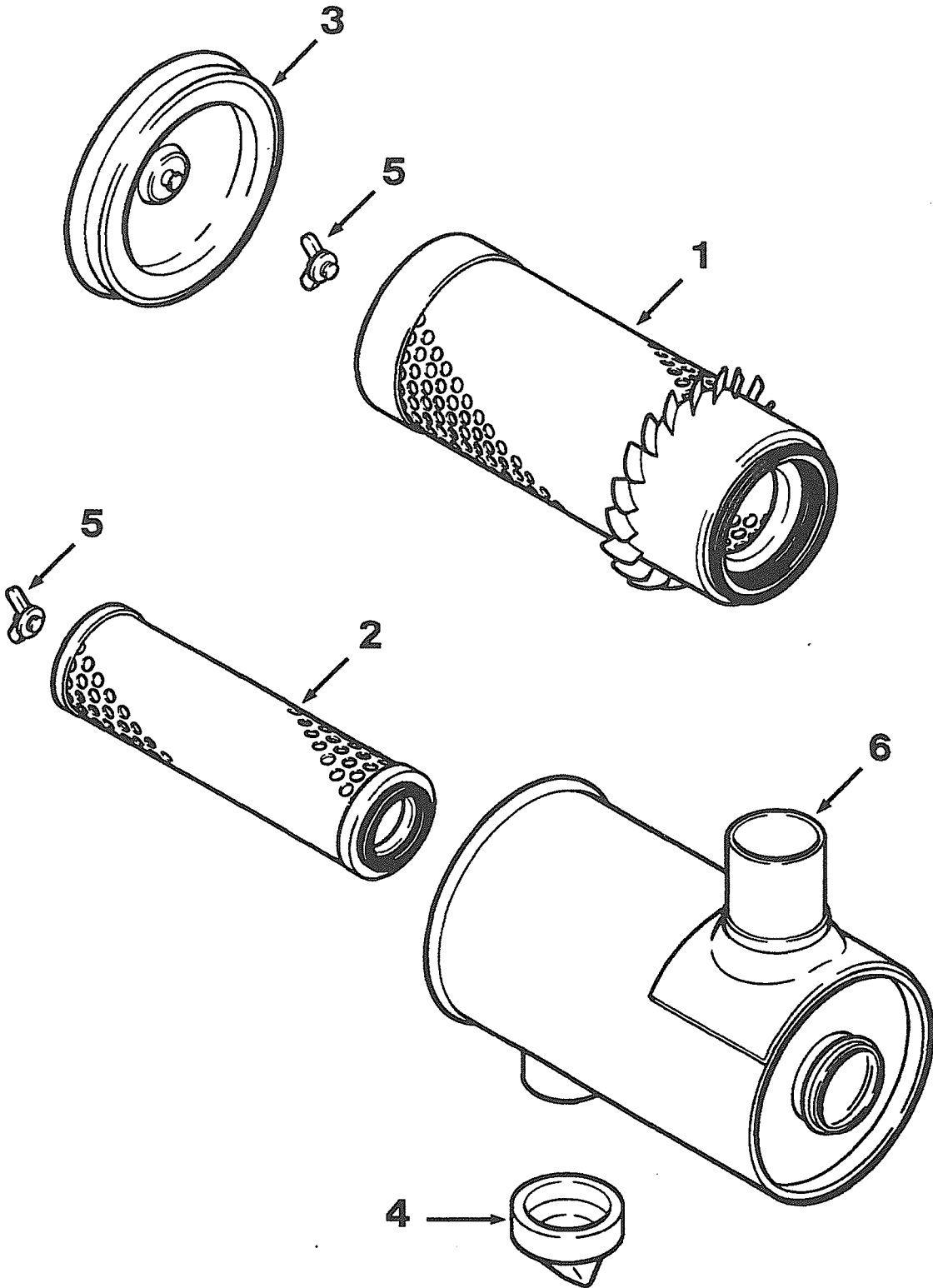
AIR INTAKE AND EXHAUST SYSTEM

Item	Part Number	Description	Qty.	Ref.
	25 544 R1	.WASHER, FLAT - 3/8	2	
	25 522 R1	.NUT, HEX - 3/8NC	1	
	1262 608 H91	FORESTRY EXHAUST STACK	1	F1
18	1260 348 H91	.STACK, FORESTRY EXHAUST	1	
	24 882 R1	.BOLT, HEX - 5/8NCx4-1/2	2	
	25 537 R1	.WASHER, FLAT - 5/8	4	
	9412 231	.NUT, LOCK - 5/8NC	2	
19	1277 500 H1	.STACK, EXTENSION	1	
20	674 502 C1	.CLAMP, TUBE	1	
	275 804 R1	.BOLT, HEX - 3/8NCx3	1	
	25 544 R1	.WASHER, FLAT - 3/8	2	
	25 522 R1	.NUT, HEX - 3/8NC	1	
21		TURBOCHARGER (SEE PG 12-040)	1	

F1 - PART NUMBER IS A NON-SERVICE PART AND IS LISTED FOR REFERENCE ONLY.
ORDER INDIVIDUAL PIECE PARTS.

POWER

AIR CLEANER



C12AV003

POWER

AIR CLEANER

Item	Part Number	Description	Qty.	Ref.
	1270 777 H91	AIR CLEANER ASSY	1	
1	1105 717 C1	.ELEMENT, PRIMARY	1	
2	529 852 R5	.ELEMENT, SAFETY	1	
3	561 766 C1	.COVER, END	1	
4	1123 824 C1	.VALVE, VACUATOR	1	
5	381 342 R92	.NUT WITH GASKET	2	
	129 024	..GASKET, NUT	1	
6	NSS	.HOUSING, AIR CLEANER	1	

POWER

ENGINE CONTROLS



C12BV025
C12BV025

POWER

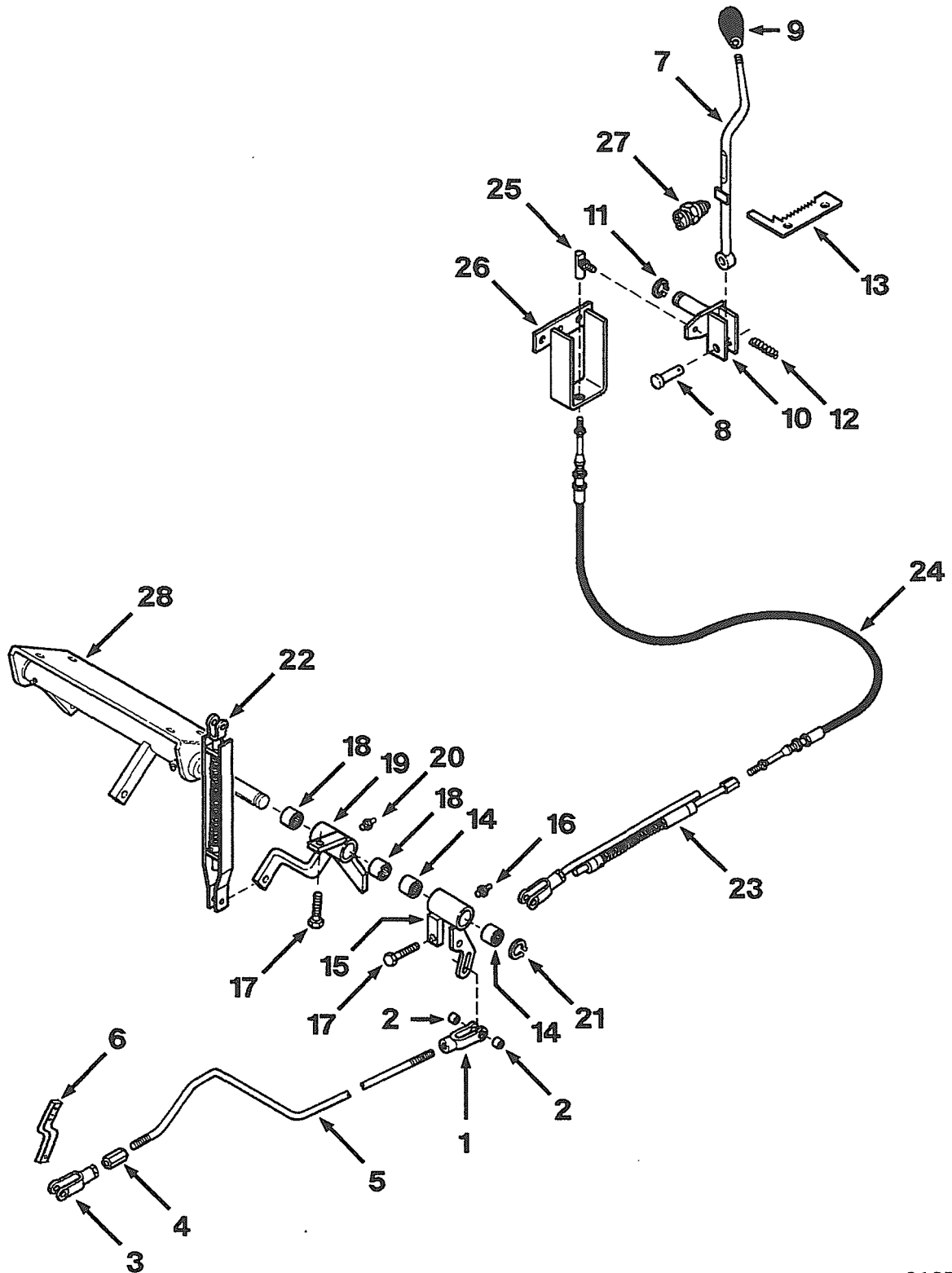
ENGINE CONTROLS

Item	Part Number	Description	Qty.	Ref.
	1311 318 H91	ENGINE CONTROLS	1	F1
1	104 038	.CLEVIS, ROD END	1	
	25 487 R1	.BOLT, HEX - 1/4NCx1-1/2	1	
	25 532 R1	.WASHER, FLAT - 1/4	4	
	26 110 R1	.NUT, LOCK - 1/4NC	1	
2	1279 059 H1	.CLAMP, SPACER	2	
3	104 036	.CLEVIS, ROD END	1	
	28 232 R1	.SCREW, SET - 1/4NF	1	
	20 791 R1	.PIN, CLEVIS	1	
	103 361	.PIN, COTTER	1	
4	1280 178 H1	.CONNECTOR, REDUCER	1	
5	1309 771 H1	.ROD, PUMP CONTROL	1	
	25 523 R1	.NUT, CONNECTOR - 3/8NF	2	
6	1309 772 H1	.LEVER, INJECTION PUMP	1	
	30 192 R1	.BOLT, MOUNTING - M6x16	2	
	30 209 R1	.WASHER, FLAT - 6.4M	2	
	30 270 R1	.WASHER, LOCK	2	
7	1300 764 H91	.LEVER, CONTROL	1	
8	16 619 R1	.PIN, CLEVIS	1	
	25 536 R1	.WASHER, FLAT - 1/2	1	
	103 384	.PIN, COTTER - 1/8x3/4	1	
9	628 588 C1	.KNOB, CONTROL LEVER	1	
10	1270 331 H91	.SHAFT, CONTROL	1	
11	303 004 R1	.RING, RETAINING	1	
	25 538 R1	.WASHER, FLAT - 3/4	1	
12	1270 705 H1	.SPRING, RETURN	1	
13	1270 419 H91	.RATCHET, ENGINE CONTROL	1	
	25 222 R1	.BOLT, HEX - 1/4NCx3/4	2	
	25 542 R1	.WASHER, FLAT - 1/4	2	
	1269 045 H91	.CONTROL ASSY, THROTTLE	1	
14	740 465 C91	..BEARING, SEALED	2	} OPTIONAL
14	740 766 C91	..BEARING, SEALED	2	
15	NSS	..CONTROL, THROTTLE	1	
16	109 454	..FITTING, LUBE	1	
17	740 528 C1	.BOLT, ADJUSTING	2	
	25 522 R1	.NUT, HEX - 3/6NC	2	

CONTINUED ON NEXT PAGE

POWER

ENGINE CONTROLS



C12BV025
C12BV025

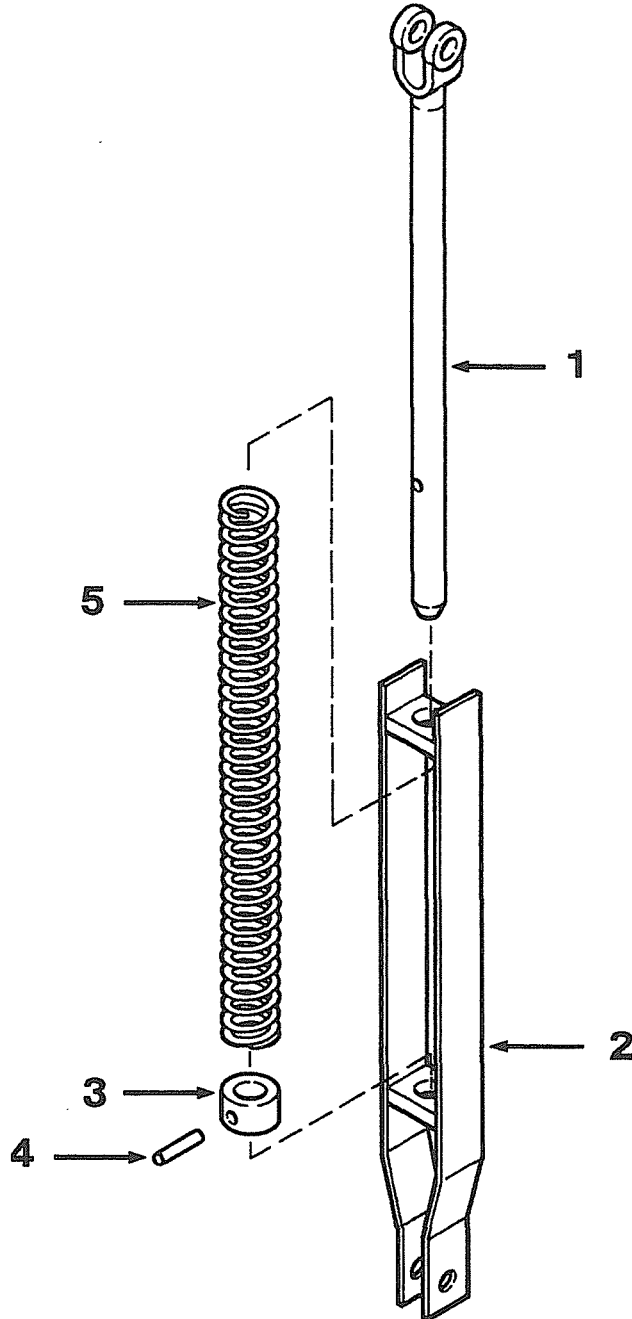
POWER

ENGINE CONTROLS

Item	Part Number	Description	Qty.	Ref.
	1269 044 H91	.OFFSET ASSY, DECELERATOR	1	
18	740 465 C91	..BEARING, SEALED	2	} OPTIONAL
18	740 766 C91	..BEARING, SEALED	2	
19	NSS	..OFFSET, DECELERATOR	1	
20	109 454	..FITTING, LUBE	1	
21	933 123 R1	.RING, RETAINING	1	
	25 538 R1	.WASHER, FLAT - 3/4	1	
22		.DECELERATOR, OVER TRAVEL (SEE PG 12-016)	1	
	16 617 R1	.PIN, CLEVIS - 3/8x1-1/6	1	
	103 373	.PIN, COTTER - 3/32x3/4	1	
23		.THROTTLE, OVER TRAVEL (SEE PG 12-018)	1	
	16 617 R1	.PIN, CLEVIS - 3/8x1-1/6	1	
	103 373	.PIN, COTTER - 3/32x3/4	1	
24	1258 327 H91	.CABLE, THROTTLE	1	
	26 030 R1	.NUT, HEX - 1/4NF	1	
25	281 800 C92	.JOINT, BALL - 1/4NF	1	
	25 532 R1	.WASHER, FLAT - 1/4	1	
	27 122 R1	.NUT, LOCK - 1/4NF	1	
	26 030 R1	.NUT, HEX - 1/4NF	1	
26	1258 331 H91	.BRACKET, CABLE SUPPORT	1	
	26 310 R1	.BOLT, HEX - 3/8NCx1	2	
	25 544 R1	.WASHER, FLAT - 3/8	2	
27		SWITCH, SHUT OFF (SEE PG 08-002 OR 010)	1	
28		BRACKET, BRAKE SUPPORT (SEE PG 04-008)	1	

F1 - PART NUMBER IS A NON-SERVICE PART AND IS LISTED FOR REFERENCE ONLY.
ORDER INDIVIDUAL PIECE PARTS.

DECELERATOR OVER TRAVEL



C12BV006

POWER

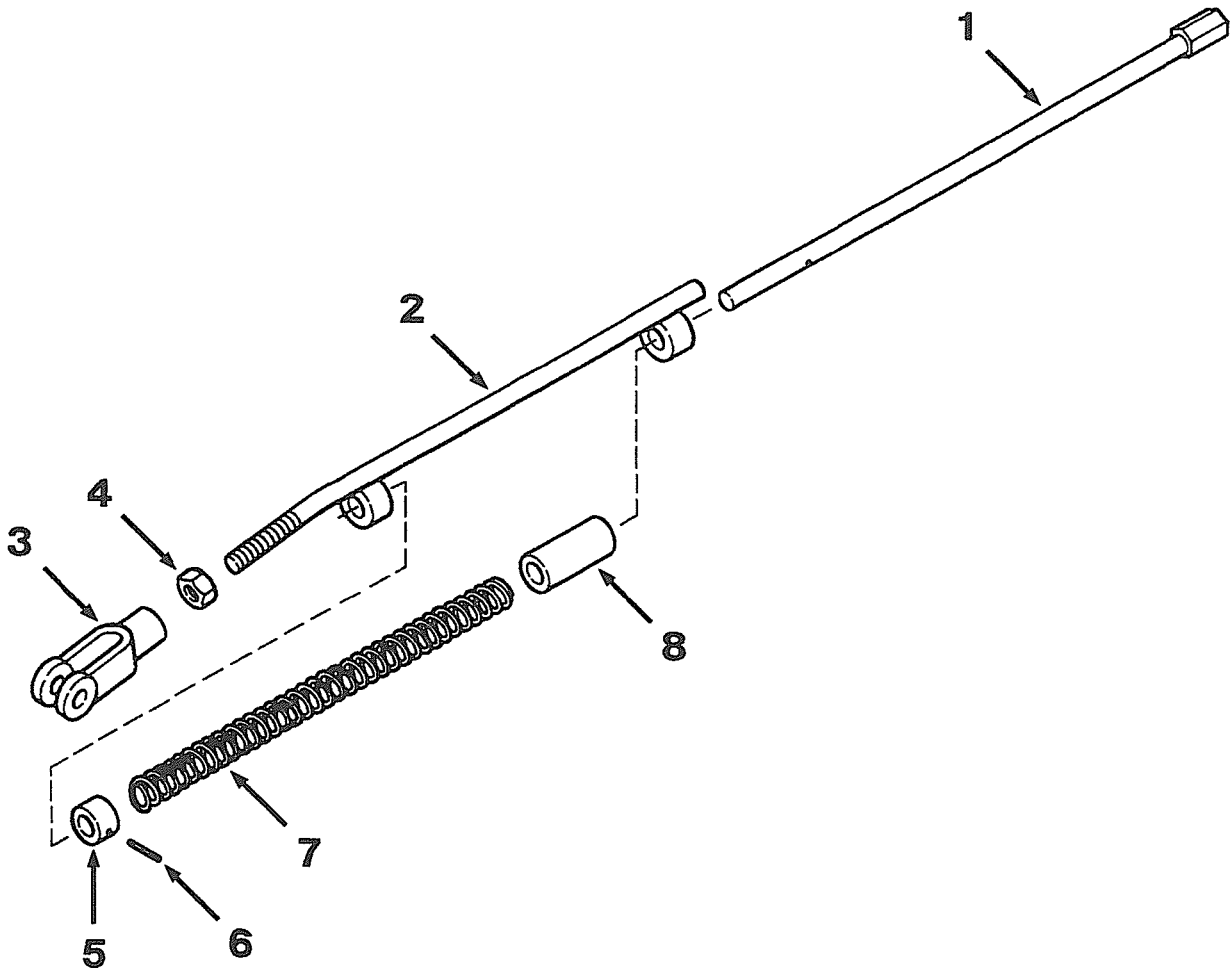
DECELERATOR OVER TRAVEL

Item	Part Number	Description	Qty.	Ref.
	1268 228 H91	OVER TRAVEL ASSY, DECELERATOR	1	F1
1	1258 317 H91	.ROD, OVER TRAVEL	1	
2	1258 319 H91	.BODY, OVER TRAVEL	1	
3	331 150 R1	.SPACER, SPRING	1	
4	364 437 R1	.PIN, SPRING - 3/16x7/8	1	
5	1258 320 H1	.SPRING, OVER TRAVEL	1	

F1 - PART NUMBER, IS A NON-SERVICE PART AND IS LISTED FOR REFERENCE ONLY.
ORDER INDIVIDUAL PIECE PARTS.

POWER

OVER TRAVEL THROTTLE



C12BV005

POWER

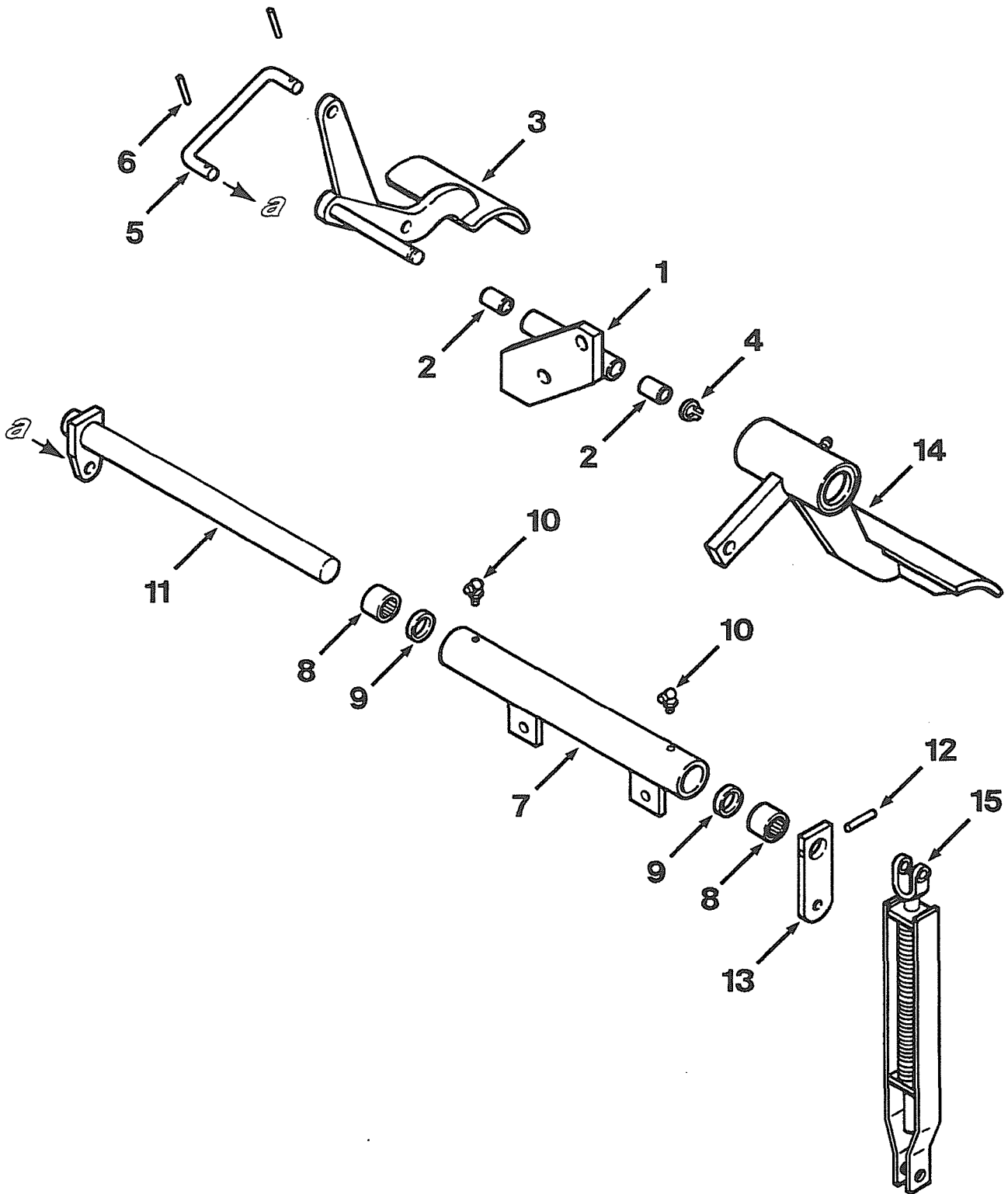
OVER TRAVEL THROTTLE

Item	Part Number	Description	Qty.	Ref.
	1268 229 H91	THROTTLE ASSY, OVER TRAVEL	1	F1
1	1258 321 H91	.ROD, OVER TRAVEL	1	
2	1258 325 H91	.BODY, OVER TRAVEL	1	
3	104 038	.CLEVIS, ROD END - 3/8	1	
4	25 523 R1	.NUT, HEX - 3/8NF	1	
5	1258 324 H1	.BOSS, SPRING STOP	1	
6	20 081 R1	.PIN, SPRING - 3/32x3/4	1	
7	1258 326 H1	.SPRING, OVER TRAVEL	1	
8	1280 358 H1	.SPACER, TUBE	1	

F1 - PART NUMBER IS A NON-SERVICE PART AND IS LISTED FOR REFERENCE ONLY.
ORDER INDIVIDUAL PIECE PARTS.

POWER

RIGHT DECELERATOR PEDAL



C12BV022

POWER

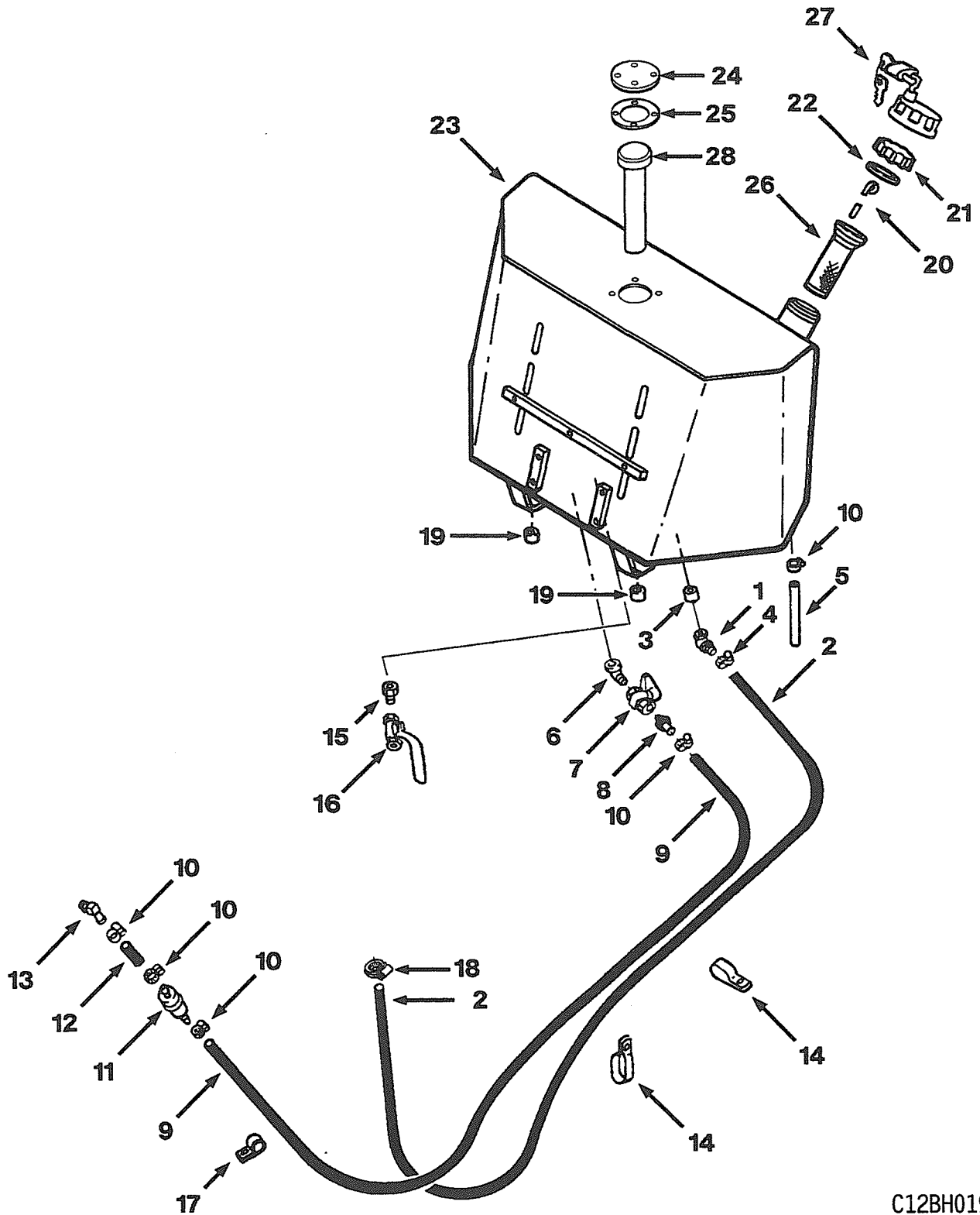
RIGHT DECELERATOR PEDAL

Item	Part Number	Description	Qty.	Ref.
	1303 888 H91	DECELERATOR PEDAL	1	F1
	1303 849 H91	.BRACKET ASSY, PEDAL	1	
1	NSS	..BRACKET, PEDAL	1	
2	327 465 R1	..BUSHING	2	
	24 861 R1	.BOLT, HEX - 1/2NCx1-1/4	2	
	25 536 R1	.WASHER, FLAT - 1/2	2	
	25 526 R1	.NUT, HEX - 1/2NC	2	
3	1303 847 H91	.PEDAL, DECELERATOR	1	
4	324 653 R1	.RING, RETAINING	1	
5	1303 854 H1	.LINK, PEDAL	1	
6	20 081 R1	.PIN, SPRING - 3/32x3/4	2	
	1303 859 H91	.SUPPORT ASSY, SHAFT	1	
7	NSS	..SUPPORT, SHAFT	1	
8	740 465 C91	..BEARING, SEALED	2	} OPTIONAL
8	740 466 C91	..BEARING, SEALED	2	
9	1269 907 H1	..SEAL, GREASE	2	
10	16 964 R91	..FITTING, LUBE	2	
	24 840 R1	.BOLT, HEX - 3/8NCx1	2	
	25 544 R1	.WASHER, FLAT - 3/8	2	
11	1303 855 H91	.SHAFT, CROSS OVER	1	
12	26 052 R1	.PIN, ROLL	1	
13	1303 858 H1	.LEVER, DECELERATOR	1	
14		.PEDAL, BRAKE (SEE PG 04-012)	1	
15		OVER TRAVEL, DECELERATOR (SEE PG 12-016)	1	

F1 - PART NUMBER IS A NON-SERVICE PART AND IS LISTED FOR REFERENCE ONLY.
ORDER INDIVIDUAL PIECE PARTS.

POWER

FUEL TANK AND PIPING



C12BH019
C12BH019

POWER

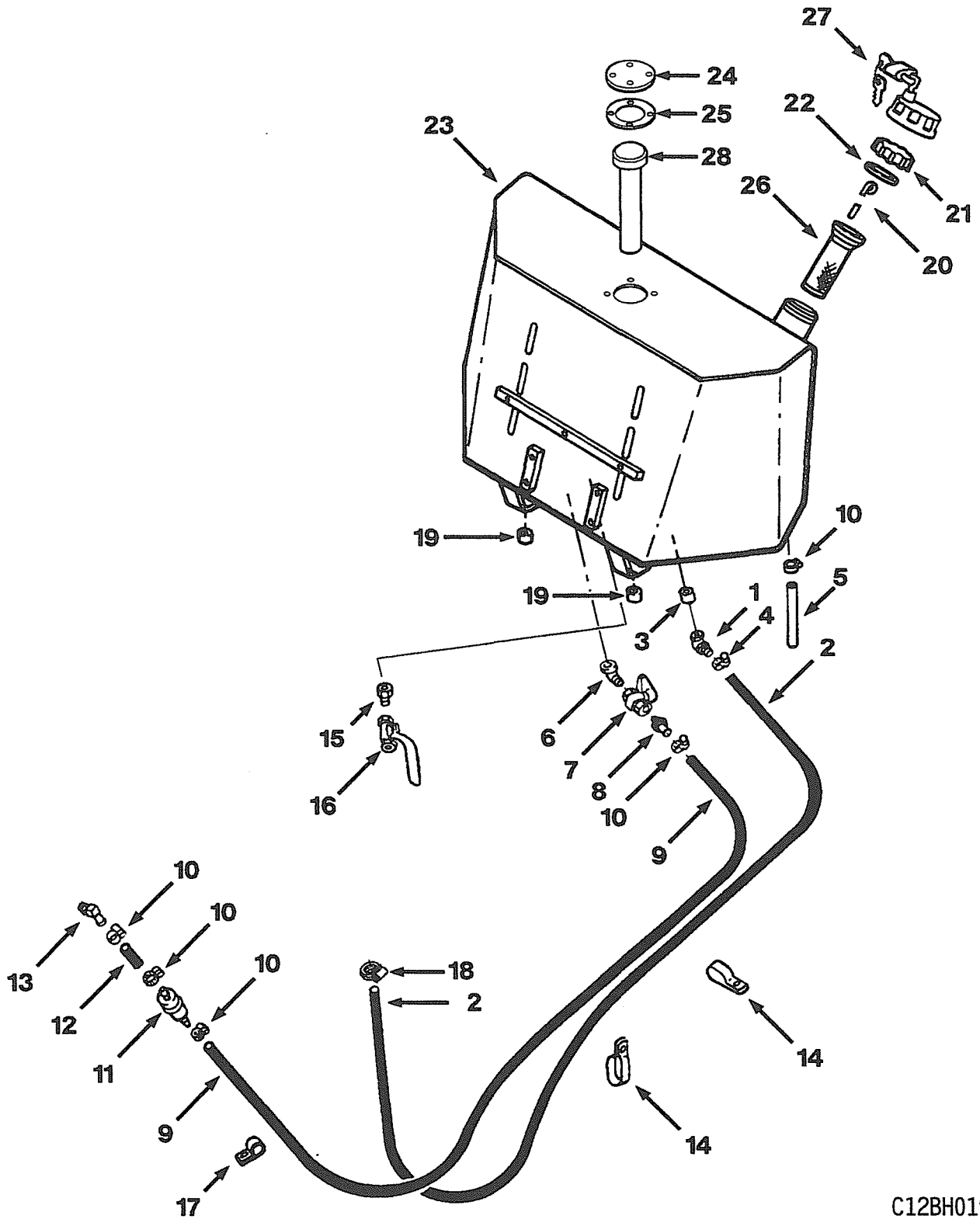
FUEL TANK AND PIPING

Item	Part Number	Description	Qty.	Ref.
	1311 304 H91	FUEL PIPING	1	F1
1	918 131 R1	.ELBOW, RETURN	1	
2		.HOSE, FUEL RETURN - 120 ^{IN} LONG	1	F2
3	444 106	.COUPLING, REDUCER	1	
4	27 860 R1	.CLAMP, CLOSED	1	
5		.HOSE, DRAIN - 4 ^{IN} LONG	1	F3
6	111 316	.ELBOW, SUPPLY	1	
7	627 686 C1	.VALVE, SHUT OFF	1	OPTIONAL
7	1301 358 H1	.VALVE, SHUT OFF	1	OPTIONAL
8	176 057 H1	.FITTING, HOSE	1	
9		.HOSE, FUEL SUPPLY - 82 ^{IN} LONG	1	F3
10	279 025 R91	.CLAMP, HOSE	4	
11	1243 000 H1	.STRAINER, FUEL	1	
12		.HOSE, SUPPLY - 6 ^{IN} LONG	1	F3
13	443 045 C1	.ELBOW, SUPPLY	1	
14	323 413 R1	.CLIP, CLOSED	2	
	24 839 R1	.BOLT, HEX - 3/8NCx3/4	1	
15	443 980	.NIPPLE, PIPE	1	
16	1301 358 H1	.VALVE, DRAIN	1	
	935 522 C1	.STRAP, TIE	AR	
17	278 688 R1	.CLIP, HOSE	1	
	30 041 R1	.BOLT, HEX - M12x25	1	
18	27 860 R1	.CLAMP, CLOSED	1	
	1266 683 H91	FUEL TANK MOUNTING	1	F1
19	1285 270 H1	.SPACER, MOUNTING	2	
20	1278 469 H1	.DIPSTICK	1	
	1266 691 H92	.TANK ASSY, FUEL	1	
	701 922 C2	..CAP ASSY, FILLER	1	
21	NSS	...CAP, FILLER	1	
22	618 688 C2	...GASKET, CAP	1	
23	1261 995 H92	..TANK, FUEL - WITH FUEL SENDER	1	
24	1306 244 H1	..PLATE, COVER	1	
	25 228 R1	..BOLT, HEX - 5/16NCx3/4	4	
	25 533 R1	..WASHER, FLAT - 5/16	4	
25	1306 245 H1	..GASKET, COVER	4	
	24 888 R1	.BOLT, MOUNTING - 3/4NCx2	2	

CONTINUED ON NEXT PAGE

POWER

FUEL TANK AND PIPING



C12BH019
C12BH019

POWER

FUEL TANK AND PIPING

Item	Part Number	Description	Qty.	Ref.
	25 538 R1	.WASHER, FLAT - 3/4	2	
26	1278 012 H2	.STRAINER, FUEL	1	
27		CAP, LOCKING (SEE PG 02-014)	1	
28		SENDER, FUEL (SEE PG 08-002 OR 010)	1	
	706 670 C1	HOSE, BULK		AR

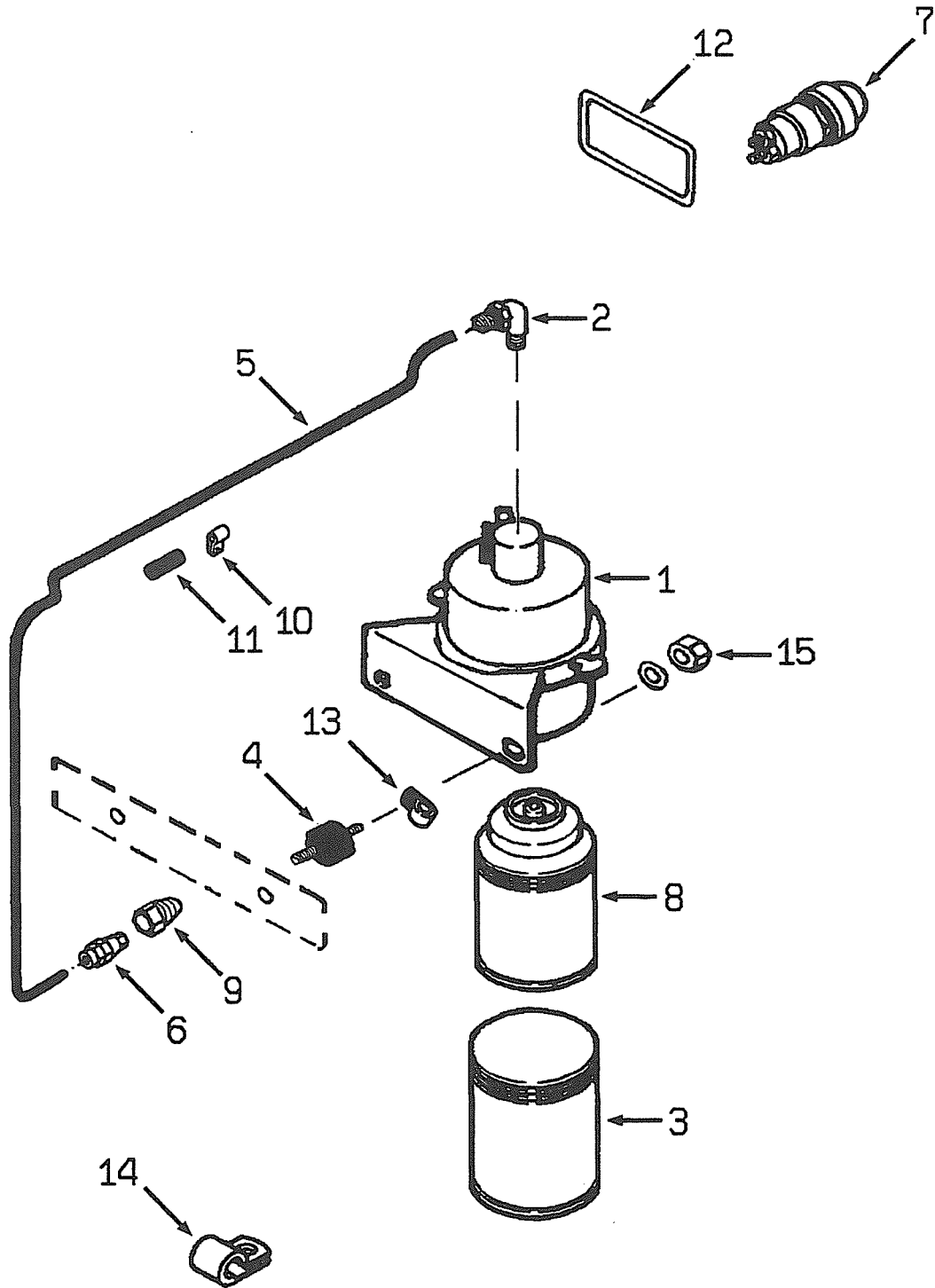
F1 - PART NUMBER IS A NON-SERVICE PART AND IS LISTED FOR REFERENCE ONLY.
ORDER INDIVIDUAL PIECE PARTS.

F2 - CUT REQUIRED LENGTH FROM BULK HOSE 742 918 C1.

F3 - CUT REQUIRED LENGTH FROM BULK HOSE 706 670 C1.

POWER

ETHER START



C12BZ000
C12BZ000

POWER

ETHER START

Item	Part Number	Description	Qty.	Ref.
	1311 347 H91	ETHER START	FACTORY 1	F1
	1311 348 H91	ETHER START	FIELD 1	F1
	1302 383 H91	.SOLENOID ASSY, ETHER	1	
1	NSS	..SOLENOID, ETHER	1	
2	NSS	..ELBOW, CHECK VALVE	1	
3	NSS	..BAIL	1	
4	702 439 C1	.ISOLATOR	1	
5		.TUBE, ETHER - 17 ^{IN} LONG	1	F2
6	650 866 C1	.NOZZLE, ETHER	1	
7		.SWITCH, ETHER (SEE PG 11-002)	1	
8		.ETHER FLUID - PURCHASE LOCALLY	1	
9	144 044	.ADAPTER, REDUCING	1	
10	299 399 C1	.CLIP, CLOSED	1	
11		.HOSE, INSULATOR - 1 ^{IN} LONG	2	F3
12		.PRODUCT GRAPHIC, ETHER (SEE PG 02-002 OR 006)	1	
13	98 959 R1	.CLIP	1	
14	299 407 C1	.CLIP	1	
15	25 519 R1	.NUT	2	
	120 380	.WASHER	2	
	417 195 C2	TUBE, BULK	AR	
	990 015 C1	HOSE, BULK	AR	

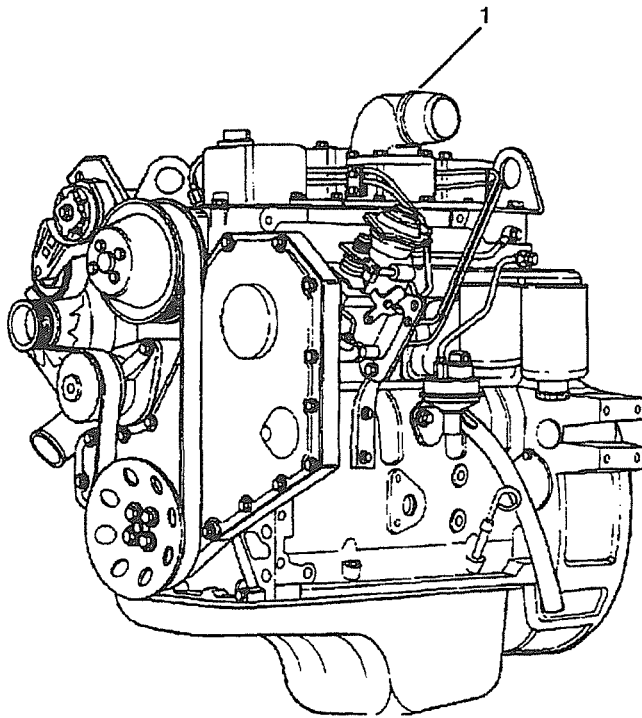
F1 - PART NUMBER IS A NON-SERVICE PART AND IS LISTED FOR REFERENCE ONLY.
ORDER INDIVIDUAL PIECE PARTS.

F2 - CUT REQUIRED LENGTH FROM BULK TUBE 417 195 C2.

F3 - CUT REQUIRED LENGTH FROM BULK HOSE 990 015 C1.

POWER

ENGINE ASSEMBLY



E9AA0001

POWER

ENGINE ASSEMBLY

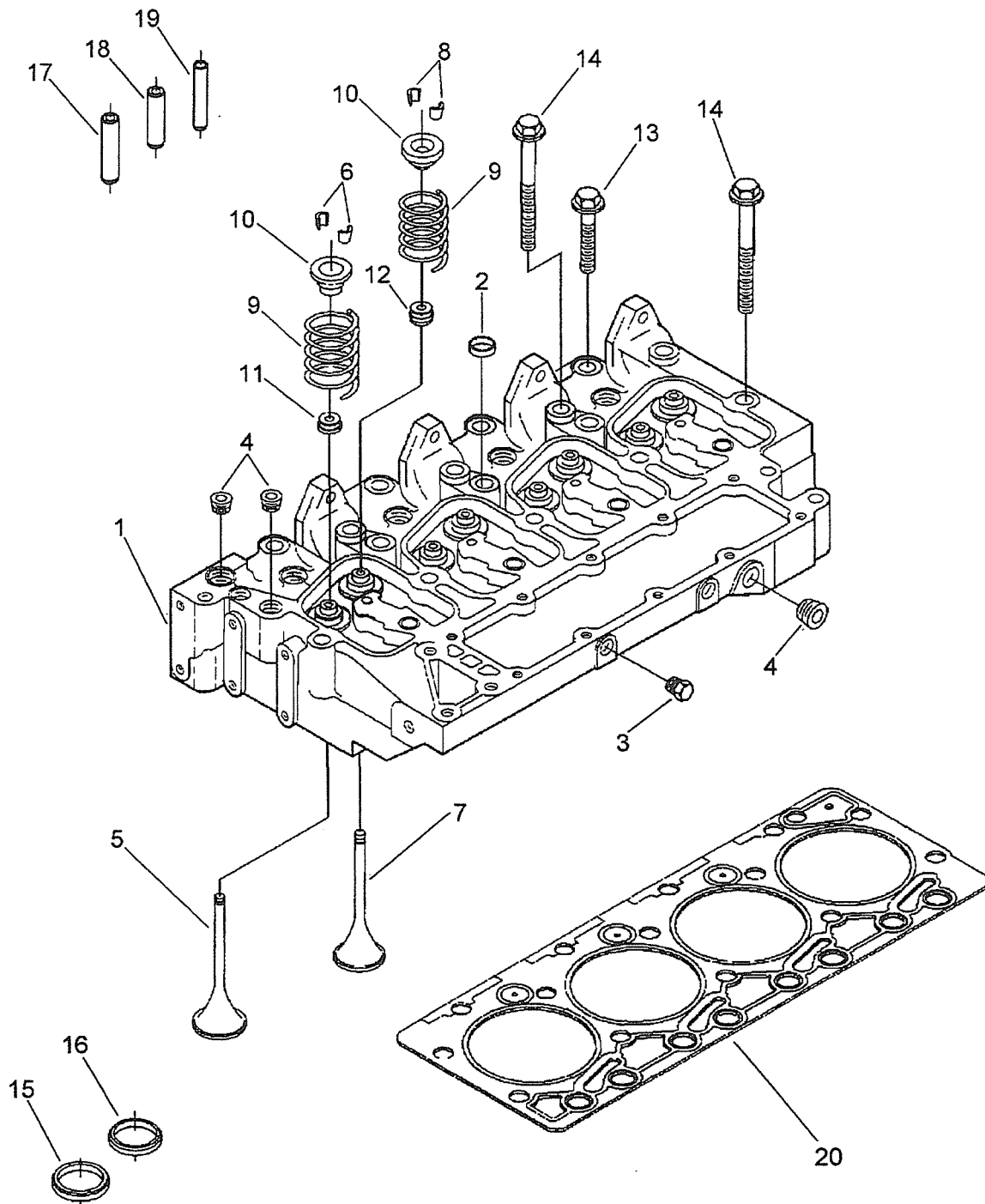
Item	Part Number	Description	Qty.	Ref.
1	1305 055 H91	ENGINE, COMPLETE AND SERVICE	1	F1, R1

F1 - WHEN ORDERING A SERVICE ENGINE, GIVE COMPLETE SERIAL NUMBER (INCLUDING LETTERS AND NUMERALS) SHOWN ON THE ENGINE TO BE REPLACED.

R1 - REMANUFACTURED ASSEMBLY AVAILABLE; REFER TO REMANUFACTURED ASSEMBLIES CATALOG.

POWER

CYLINDER HEAD



E1AC0043

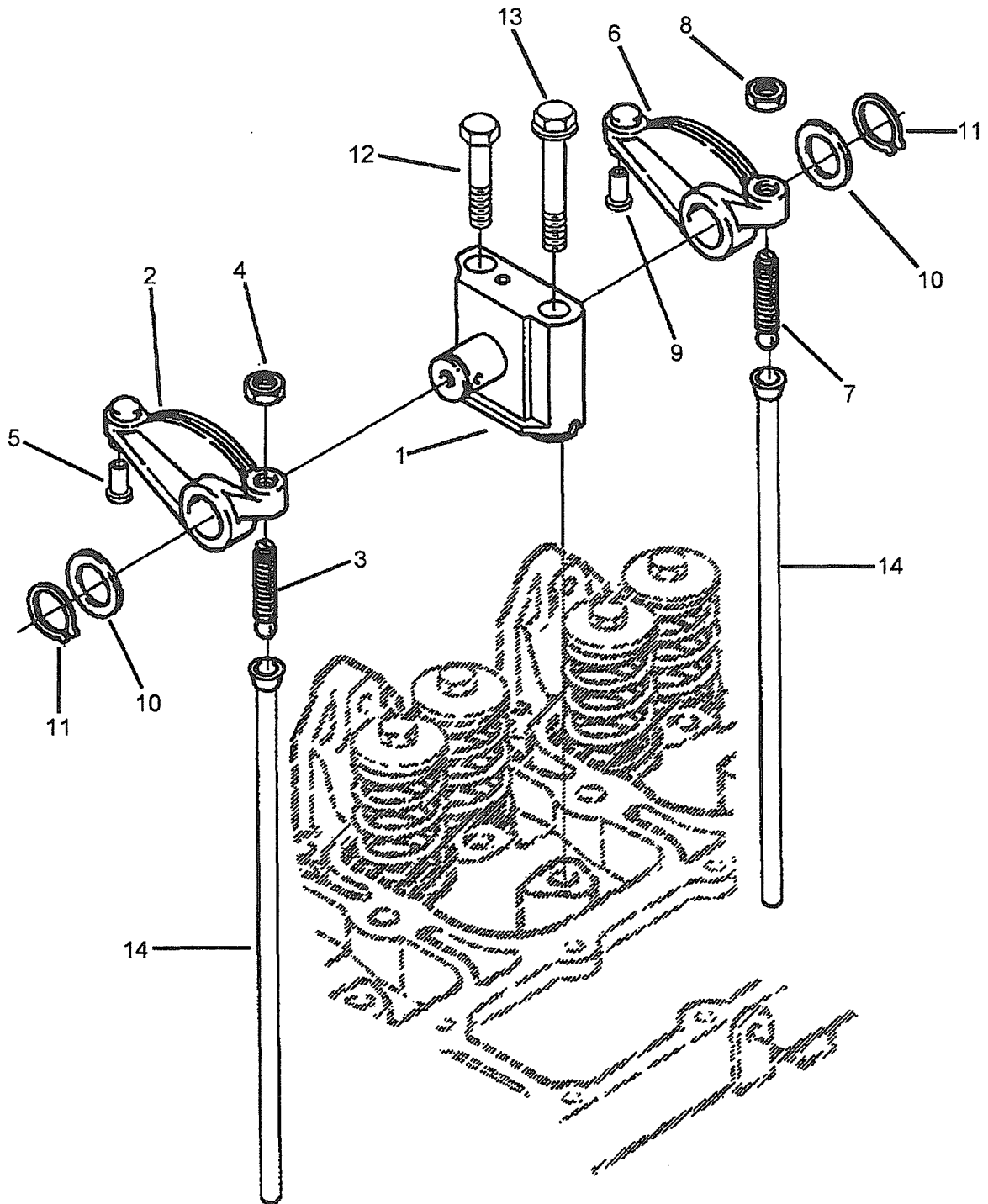
POWER

CYLINDER HEAD

Item	Part Number	Description	Qty.	Ref.
	6731-11-1220	CYLINDER HEAD ASSEMBLY	1	
1	NSS	.HEAD, CYLINDER	1	
2	6736-11-1160	..PLUG, EXPANSION	3	
3	6732-11-1930	..PLUG, PIPE	2	
4	6732-11-1910	..PLUG, PIPE (1/2 NPT)	5	
	6736-41-4110	..INTAKE VALVE ASSEMBLY	4	
5	NSS	...VALVE, INTAKE	1	
6	6732-41-4520	...COLLET, VALVE	2	
	6736-41-4210	..EXHAUST VALVE ASSEMBLY	4	
7	NSS	...VALVE, EXHAUST	1	
8	6732-41-4520	...COLLET, VALVE	2	
9	6732-41-4410	..SPRING, VALVE	8	
10	6732-41-4510	..RETAINER, VALVE SPRING	8	
11	6732-41-4530	..SEAL, INTAKE VALVE STEM	4	
12	6732-41-4540	..SEAL, EXHAUST VALVE STEM	4	
13	6732-11-1610	BOLT (M12x1.75x70)	4	
14	6732-11-1620	BOLT (M12x1.75x120)	10	
15	6736-19-1440	INSERT, EXHAUST VALVE	A/R	
16	6736-19-1430	INSERT, INTAKE VALVE	A/R	
17	6736-19-1310	GUIDE, VALVE STEM (THICK WALL 60.5MM LONG INTAKE)	A/R	
18	6736-19-1410	GUIDE, VALVE STEM (THICK WALL 51.75MM LONG EXH)	A/R	
19	6736-18-1310	GUIDE, VALVE STEM (THIN WALL, INTAKE AND EXH)	A/R	
20	6732-11-1151	GASKET, CYLINDER HEAD	1	

POWER

ROCKER LEVERS



E1AI0011

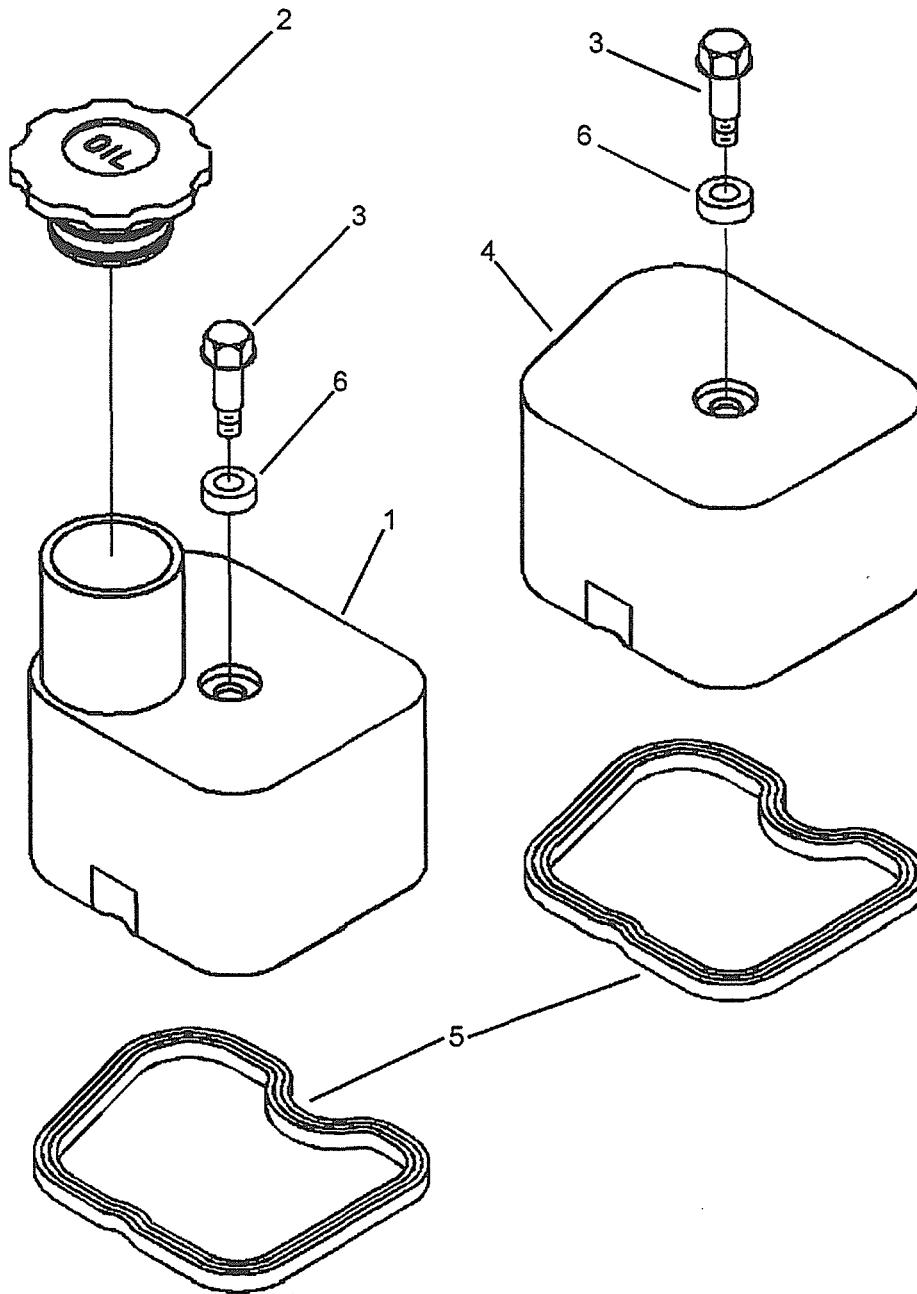
POWER

ROCKER LEVERS

Item	Part Number	Description	Qty.	Ref.
	6736-41-5110	SUPPORT, ROCKER LEVER	4	
1	NSS	.SUPPORT, ROCKER LEVER	1	
	NSS	.SHAFT, ROCKER LEVER	1	
2	6732-41-5200	LEVER, ROCKER	4	
	NSS	.LEVER, ROCKER (INTAKE)	1	
3	6732-41-5420	.BOLT, SLOTTED SET (3/8 - 24x1 1/2 INCH)	1	
4	6735-41-5550	.NUT, HEAVY HEXAGON (3/8 - 24 UNF)	1	
5	NSS	.INSERT, ROCKER LEVER	1	
6	6732-41-5400	LEVER, ROCKER	4	
	NSS	.LEVER, ROCKER (EXHAUST)	1	
7	6732-41-5420	.BOLT, SLOTTED SET (3/8 - 24x1 1/2 INCH)	1	
8	6735-41-5550	.NUT, HEAVY HEXAGON (3/8 - 24 UNF)	1	
9	NSS	.INSERT, ROCKER LEVER	1	
10	6732-41-5160	WASHER, PLAIN (M19)	8	
11	6732-41-5170	RING, RETAINING	8	
12	6732-41-5180	BOLT (M8x1.25x75)	4	
13	6732-11-1640	BOLT	4	
14	6732-41-3110	ROD, PUSH	8	

POWER

VALVE COVER



E1AL0031

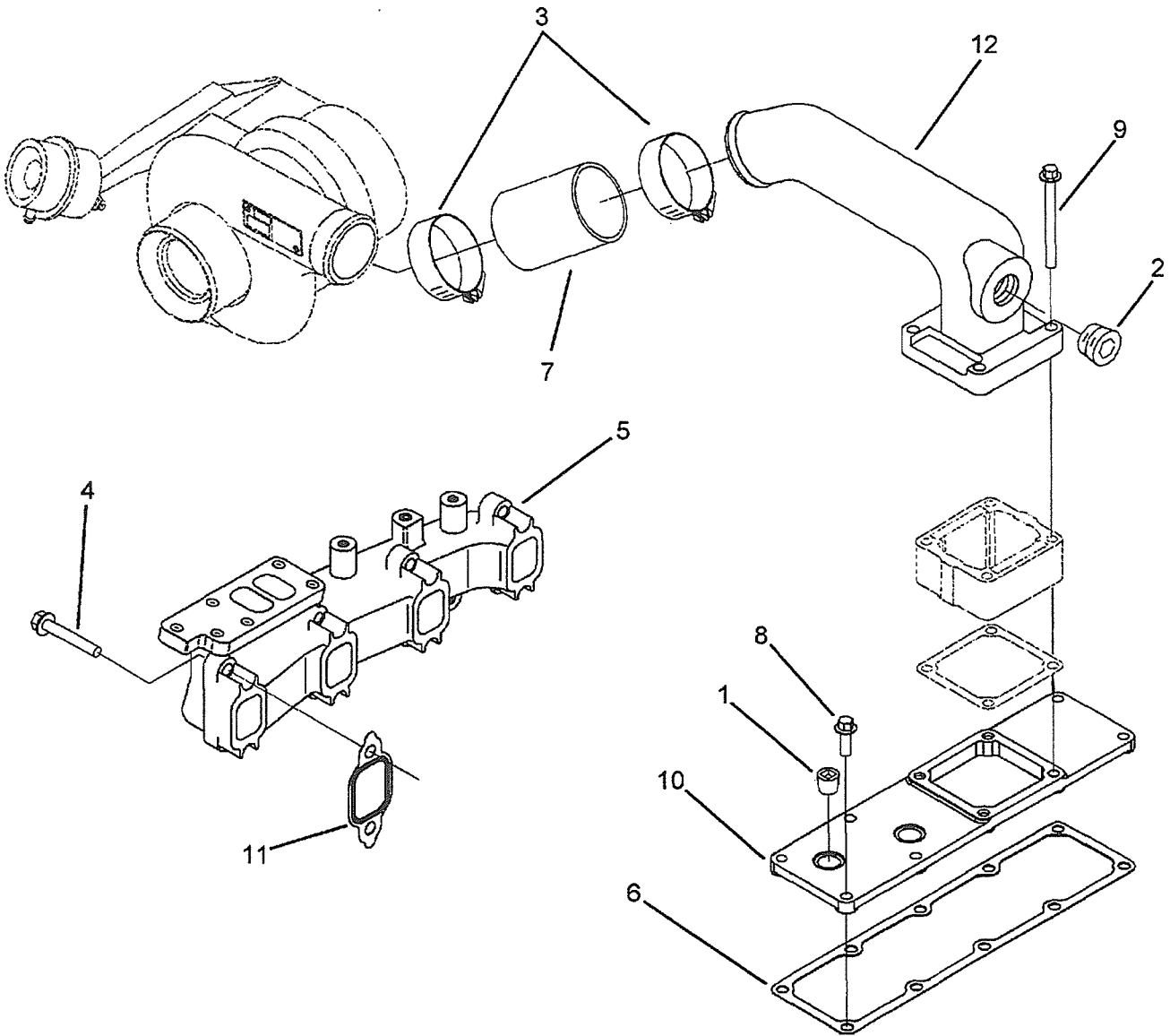
POWER

VALVE COVER

Item	Part Number	Description	Qty.	Ref.
1	6735-11-8110	COVER, VALVE	1	
2	6130-12-8610	CAP, OIL FILLER	1	
3	6732-11-8130	BOLT, MOUNTING (M8x1.25x21)	4	
4	6735-11-8120	COVER, VALVE	3	
5	6732-11-8181	GASKET, VALVE COVER	4	
6	6732-11-8210	ISOLATOR, NOISE	4	

POWER

INTAKE AND EXHAUST MANIFOLD



E1AR0055

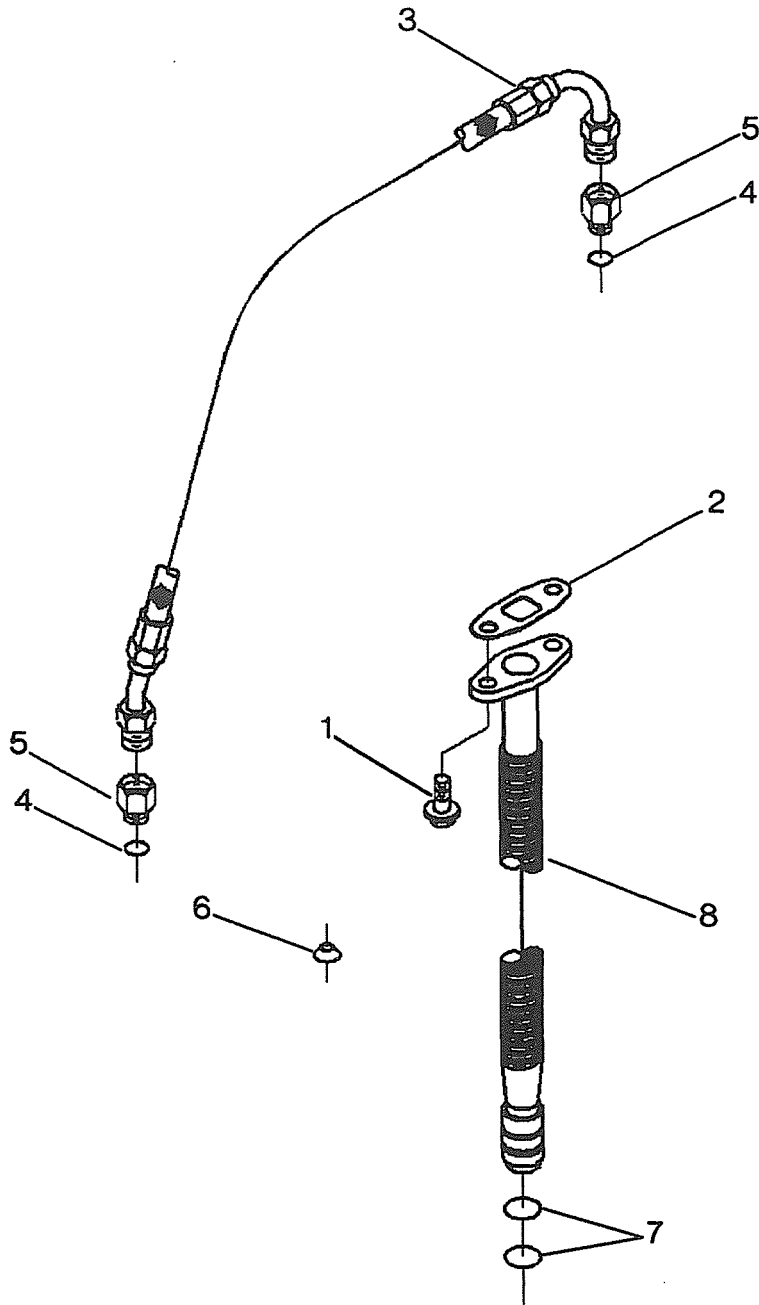
POWER

INTAKE AND EXHAUST MANIFOLD

Item	Part Number	Description	Qty.	Ref.
1	6732-11-1910	PLUG, PIPE (1/2 NPT)	2	
2	6732-11-1920	PLUG, PIPE (3/4 NPT)	1	
3	6736-81-1810	CLAMP, HOSE	2	
4	6732-11-5530	BOLT, MOUNTING (M10x1.50x65)	8	
5	6732-11-5210	MANIFOLD, EXHAUST	1	
6	6733-11-4860	GASKET, INTAKE MANIFOLD COVER	1	
7	6735-11-4330	HOSE, PLAIN	1	
8	6732-11-4160	BOLT, MOUNTING (M8x1.25x25)	4	
9	6732-11-4170	BOLT, MOUNTING (M8x1.25x90)	4	
10	6732-11-4530	COVER, INTAKE MANIFOLD	1	
11	6736-11-5810	GASKET, EXHAUST MANIFOLD	4	
12	6731-11-4430	CONNECTION, AIR CROSSOVER	1	

POWER

TURBOCHARGER PLUMBING



E1AT0040

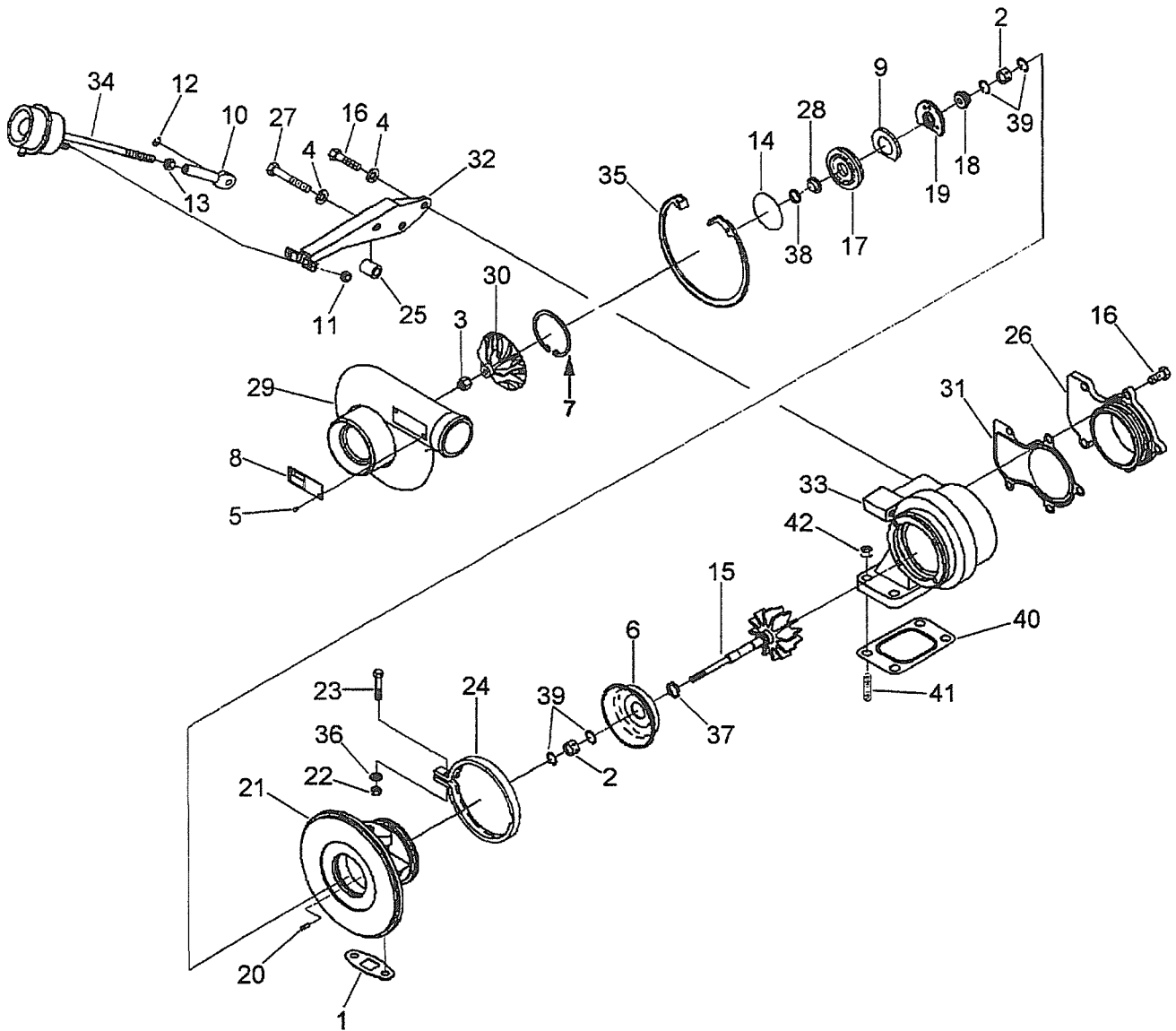
POWER

TURBOCHARGER PLUMBING

Item	Part Number	Description	Qty.	Ref.
1	6732-71-3220	BOLT, FLANGE	2	
2	6742-01-5075	GASKET, OIL DRAIN	1	
3	6732-51-8260	HOSE, FLEXIBLE	1	
	6736-51-8140	CONNECTOR ASSEMBLY	2	
4	6736-51-8710	.SEAL, O-RING	1	
5	6736-51-8740	.CONNECTOR, FEMALE	1	
6	6736-51-8730	WASHER, SEALING	2	
	6731-51-8140	CONNECTION ASSEMBLY	1	
7	6732-51-8330	.SEAL, O-RING	2	
8	NSS	.CONNECTION, OIL DRAIN	1	

POWER

TURBOCHARGER



E1BC0047

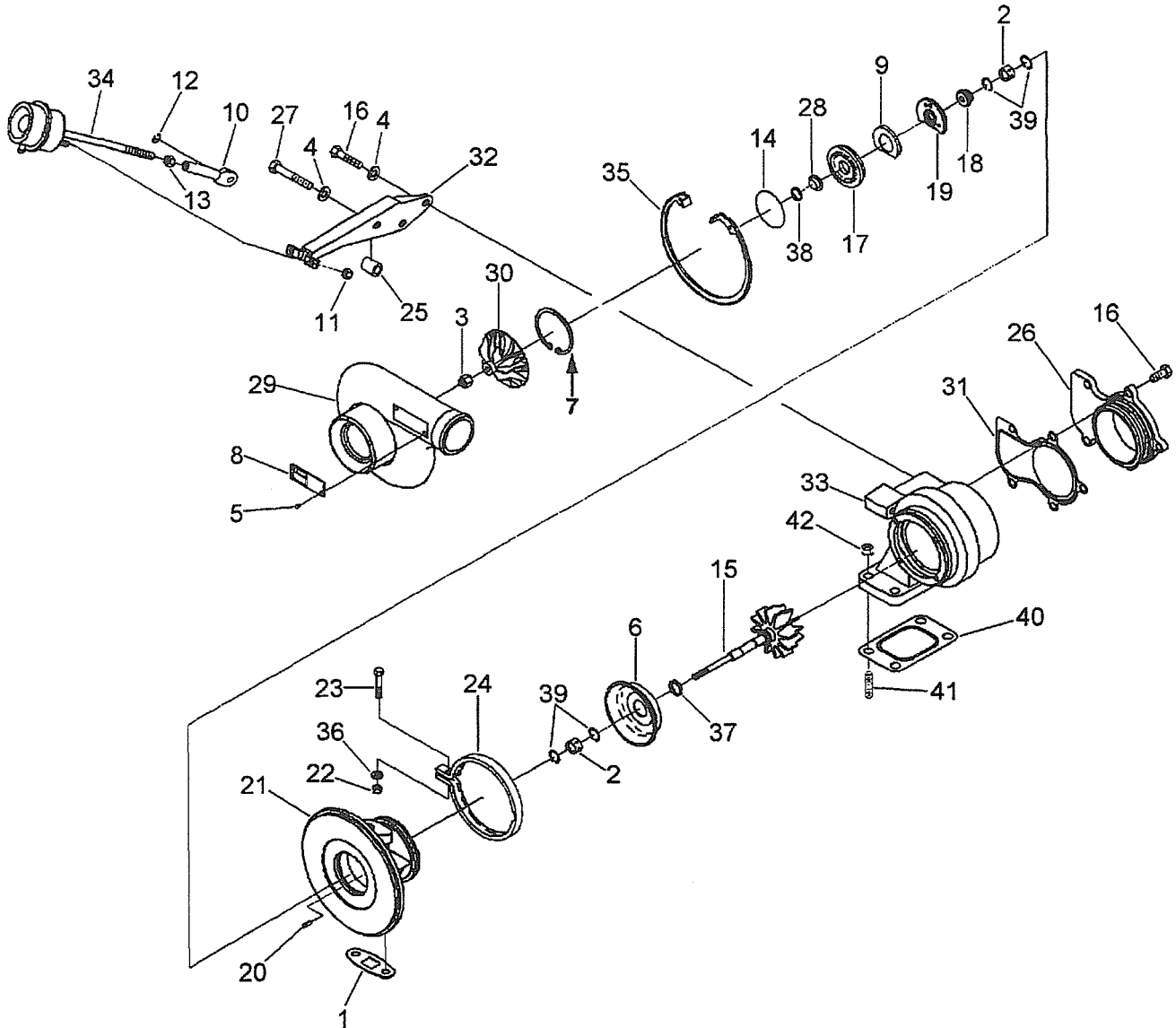
POWER

TURBOCHARGER

Item	Part Number	Description	Qty.	Ref.
1		GASKET, OIL DRAIN (SEE PG 12-038)	1	
	6733-81-8120	TURBOCHARGER	1	
2	6736-81-8370	.BEARING, TURBOCHARGER	2	
3	6736-81-8250	.NUT, LOCK (M7x1.00)	1	
4	6733-81-8650	.WASHER, PLAIN	3	
5	6736-81-8480	.SCREW, DRIVE	2	
6	6733-81-8430	.SHIELD, HEAT	1	
7	6733-81-8360	.RING, RETAINING	1	
8	NSS	.DATAPLATE	1	
9	6733-81-8330	.BAFFLE, OIL	1	
10	6733-81-8340	.END, ADJUSTING LINK	1	
11	6733-81-8250	.NUT, LOCK (1/4 - 28 UNF)	2	
12	6733-81-8370	.RING, RETAINING	1	
13	6733-81-8810	.NUT	1	
14	6733-81-8460	.SEAL, O-RING	1	
15	6733-81-8280	.SHAFT AND WHEEL	1	
16	6733-81-8380	.BOLT (M8x1.25x20)	7	
17	6733-81-8270	.PLATE, OIL SEAL	1	
18	6733-81-8260	.SLINGER, OIL	1	
19	6733-81-8350	.BEARING, THRUST	1	
20	6733-81-8480	..PIN, ROLL	2	
21	NSS	..HOUSING, THRUST BEARING	1	
22	6733-81-8820	.NUT (M6x1.00)	1	
23	6733-81-8830	.BOLT (M6x1.00x35)	1	
24	6733-81-8550	.CLAMP, V-BAND	1	
25	6733-81-6850	.SPACER, MOUNTING	1	
26	6733-81-8320	.CONNECTION, ADAPTER	1	
27	6733-81-8840	.BOLT	1	
28	6733-81-8290	.COLLAR, THRUST	1	
29	6733-81-8210	.HOUSING, COMPRESSOR	1	
30	6733-81-8310	.IMPELLER, COMPRESSOR	1	
31	6733-51-8110	.GASKET, TURBOCHARGER	1	
32	6733-81-8440	.BRACKET, ACTUATOR	1	
33	6733-81-8450	.HOUSING, TURBINE	1	
34	6733-81-8610	.ACTUATOR, TURBOCHARGER	1	
35	6733-81-8470	.RING, RETAINING	1	

POWER

TURBOCHARGER



E1BC0047

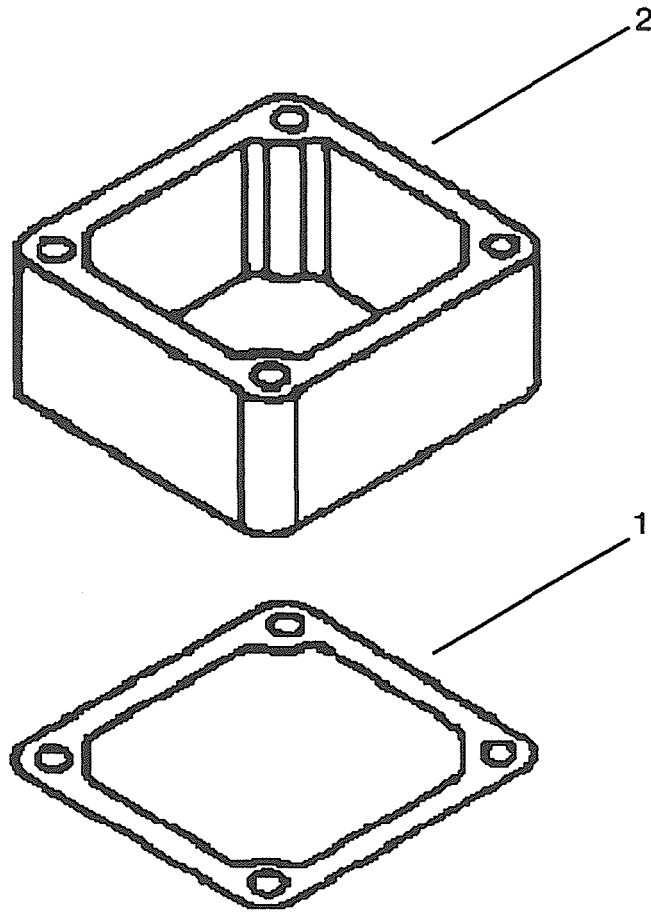
POWER

TURBOCHARGER

Item	Part Number	Description	Qty.	Ref.
36	6733-81-8420	.WASHER, PLAIN	1	
37	6736-81-8440	.SEAL, SPLIT RING	1	
38	6736-81-8320	.SEAL, SPLIT RING	1	
39	6736-81-8360	.RING, RETAINING	4	
40	6732-81-8840	GASKET, TURBOCHARGER	1	
41	6732-81-8810	STUD, MOUNTING	4	
42	6732-81-8820	NUT, MOUNTING	4	

POWER

AIR INTAKE HEATER



E1BG0004

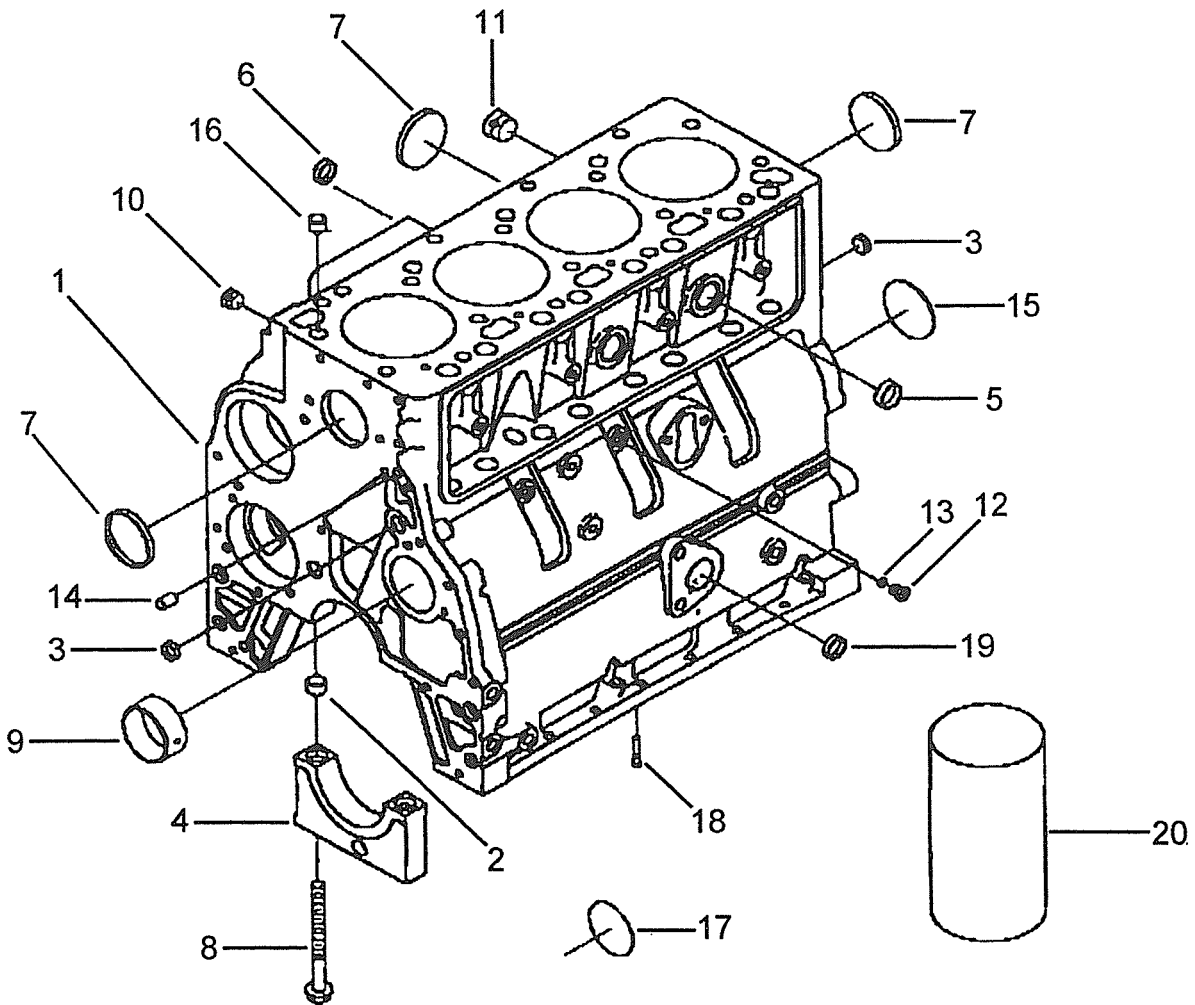
POWER

AIR INTAKE HEATER

Item	Part Number	Description	Qty.	Ref.
1	6732-11-4811	GASKET, CONNECTION	1	
2	6735-11-4820	CONNECTION, SPACER	1	

POWER

CYLINDER BLOCK - METRIC THREADS



E2AC0039

POWER

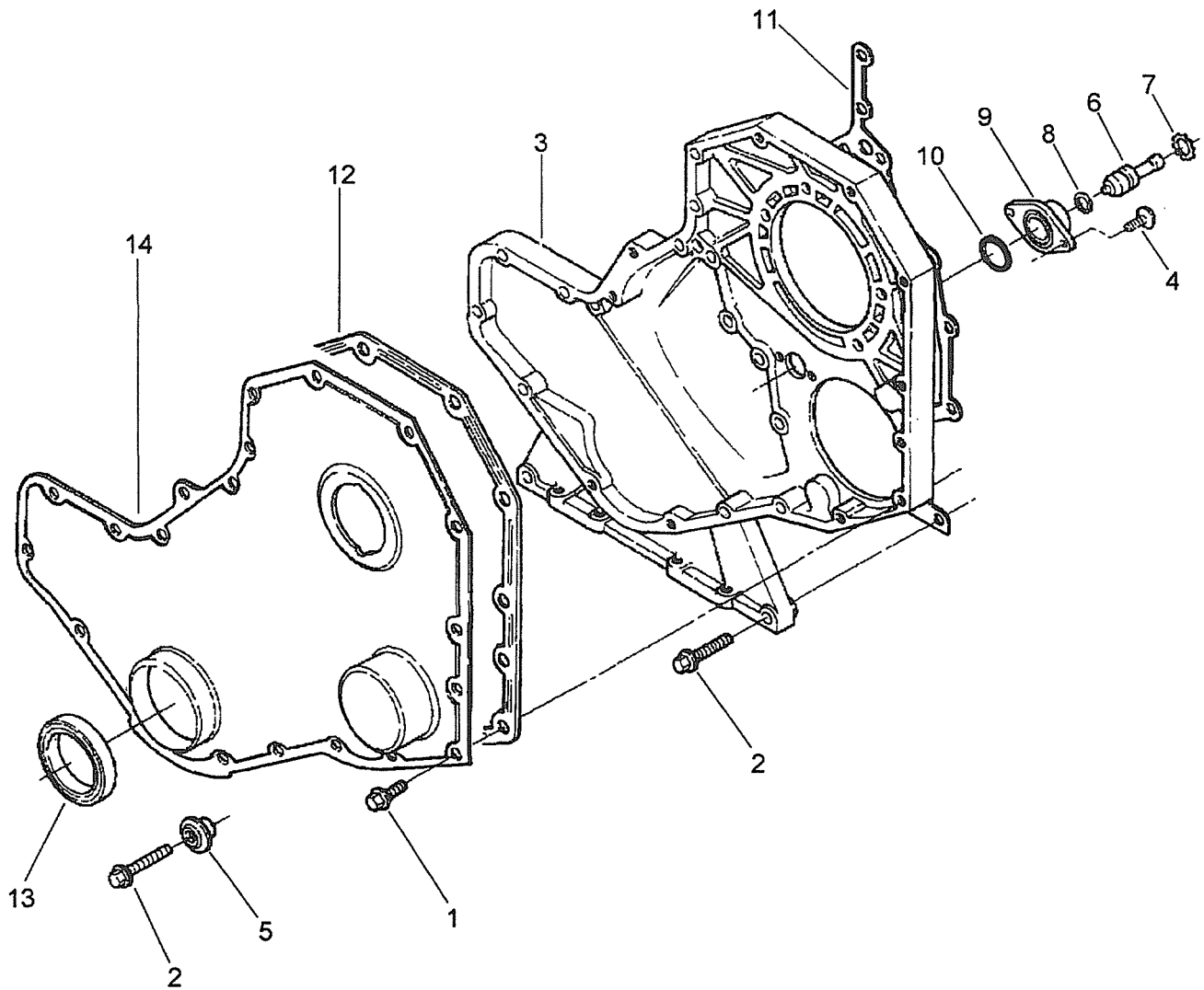
CYLINDER BLOCK - METRIC THREADS

Item	Part Number	Description	Qty.	Ref.
	6731-21-1130	BLOCK ASSEMBLY, CYLINDER	1	
1	NSS	.BLOCK, CYLINDER	1	
2	6732-21-1910	.DOWEL, RING	10	F1
3	6732-21-1810	.PLUG, EXPANSION	3	
4	6731-21-1230	.CAP, BEARING	5	
5	6736-21-1820	.PLUG, EXPANSION	2	
6	6735-21-5530	.PLUG, EXPANSION	2	F1
7	6736-21-1810	.PLUG, EXPANSION	3	
8	6732-21-1611	.BOLT	10	
9	6732-21-1411	.BUSHING	1	
10	6732-11-1910	.PLUG, PIPE	1	F1
11	6732-11-1920	.PLUG, PIPE	1	F1
	6732-21-1960	.PLUG, THREADED	2	F1
12	NSS	..PLUG	1	F1
13	6215-81-9710	..SEAL, O-RING	1	F1
14	6732-21-6120	.DOWEL, PIN	2	F1
15	6732-21-6130	.PLUG, EXPANSION	1	F1
16	6732-21-6140	.DOWEL, RING	2	F1
17	6732-21-1930	.SEAL, O-RING	1	F1
18	6732-21-1191	.NOZZLE, PISTON COOLING	4	F1
19	6732-21-6160	.PLUG, EXPANSION	1	F1
20	6736-29-2110	SLEEVE, SALVAGE	1	
	6731-21-1220	KIT, CYLINDER BLOCK HARDWARE	1	

F1- THESE ITEMS ARE INCLUDED IN THE CYLINDER BLOCK HARDWARE KIT
(6731-21-1220).

POWER

FRONT GEAR COVER



E2AI0049

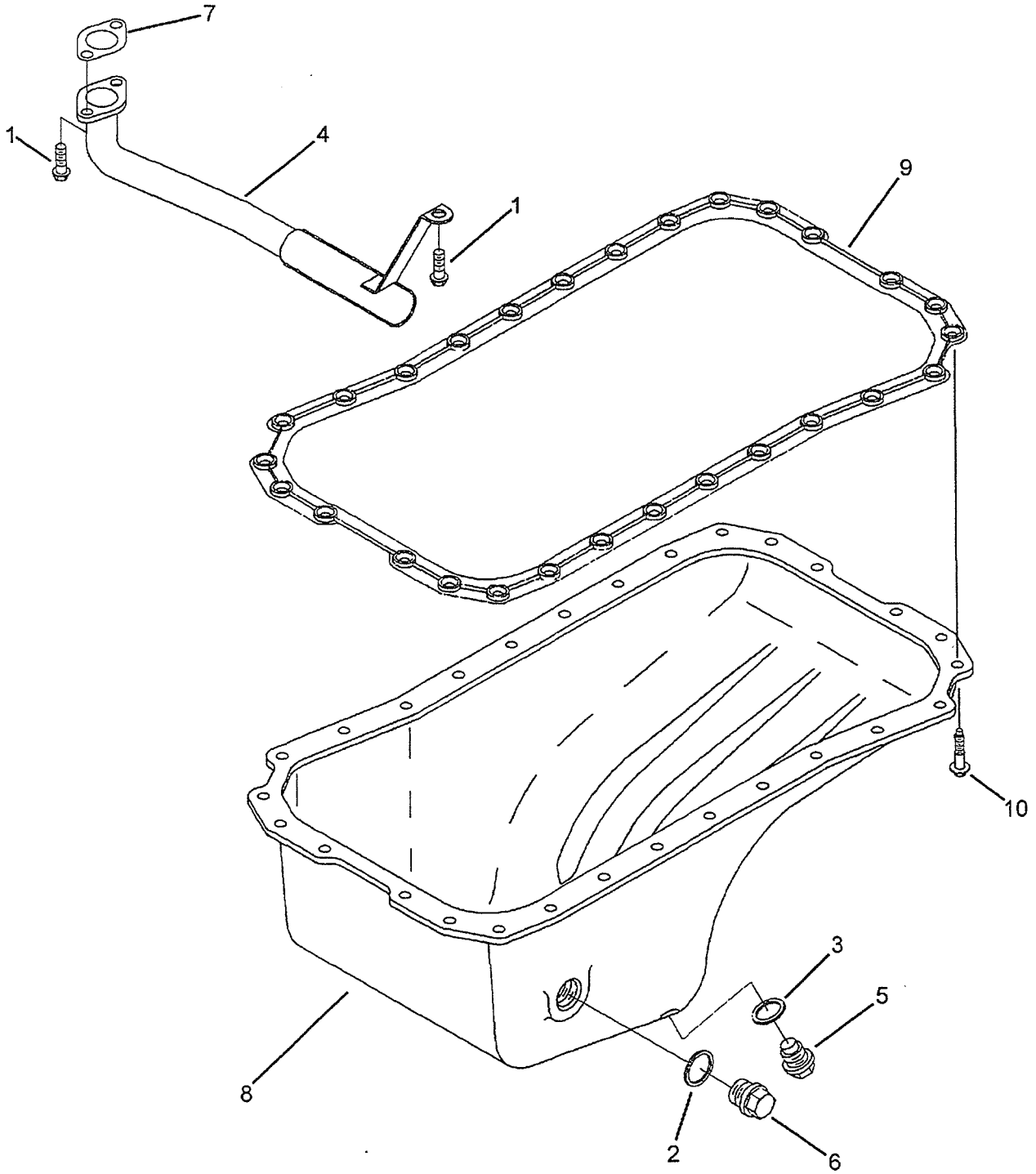
POWER

FRONT GEAR COVER

Item	Part Number	Description	Qty.	Ref.
1	6736-21-5310	BOLT, MOUNTING (M8x1.25x16)	16	
2	6736-21-3210	BOLT, MOUNTING (M8x1.25x50)	11	
3	6731-21-3110	HOUSING, GEAR	1	
4	6732-21-3160	BOLT (M5x0.80x17)	2	
5	6736-21-3810	RETAINER, BELT	1	
6	6732-21-3140	PIN, TIMING	1	
7	6732-21-3150	RING, RETAINING	1	
8	6732-21-3870	SEAL, O-RING	1	
9	6732-21-3180	HOUSING, TIMING PIN	1	
10	6732-21-3880	SEAL, RECTANGULAR RING	1	
11	6732-21-3811	GASKET, GEAR HOUSING	1	
12	6736-21-3450	GASKET, GEAR COVER	1	
	6731-21-4220	KIT, FRONT SEAL SERVICE	1	
13	6735-21-3510	.SEAL, OIL	1	
14	6735-21-3310	COVER, GEAR	1	

POWER

OIL PAN



E2AO0062

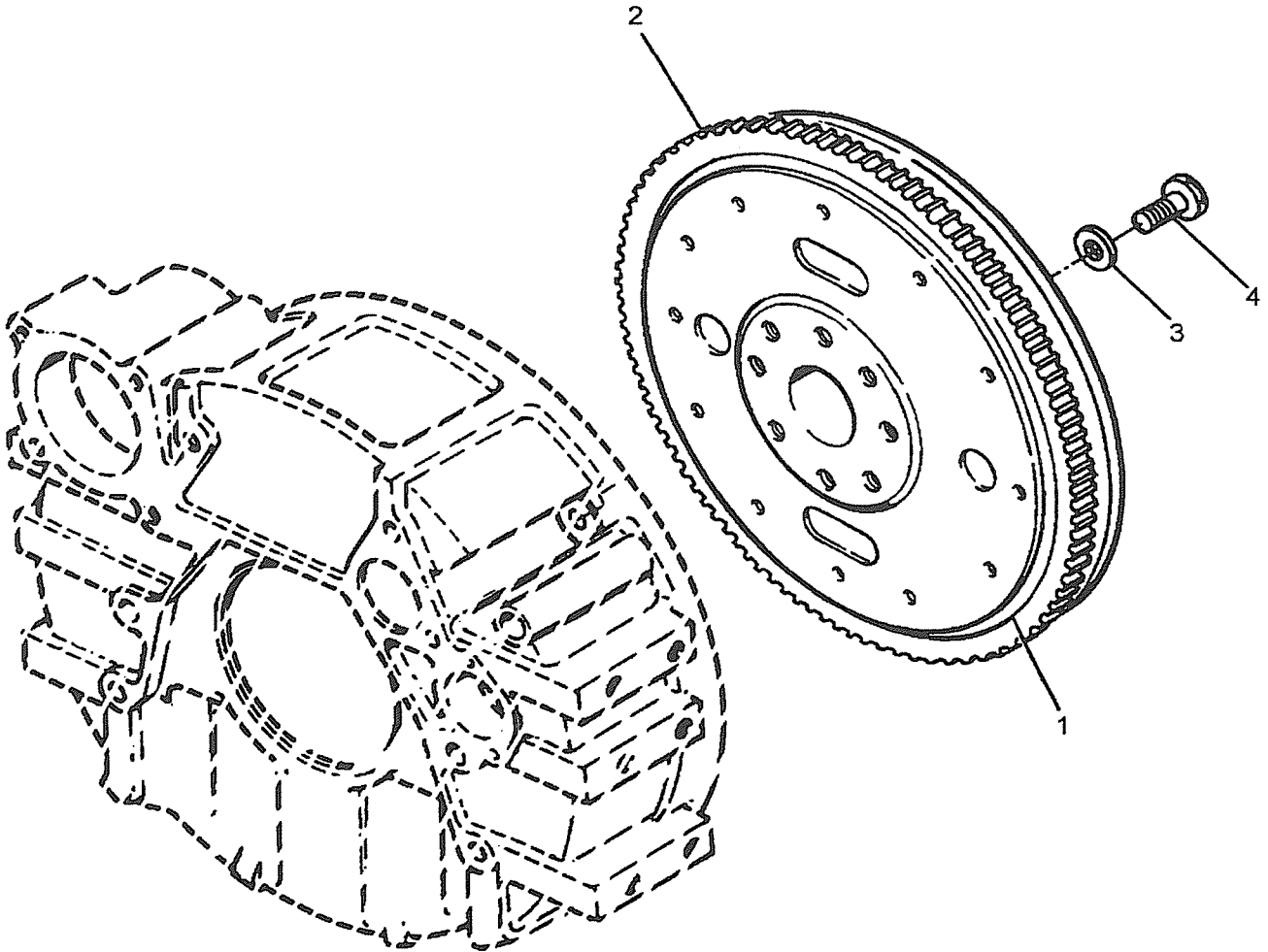
POWER

OIL PAN

Item	Part Number	Description	Qty.	Ref.
1	6732-21-5160	BOLT (M8x1.25x25)	3	
2	6732-21-5170	WASHER, SEALING (22mm)	1	
3	6732-21-5190	WASHER, SEALING (18mm)	1	
4	6732-21-5190	CONNECTION, OIL SUCTION	1	
5	6732-21-5230	PLUG, THREADED (M18x1.50)	1	
6	6732-21-5210	PLUG, THREADED (M22x1.50)	1	
7	6733-21-5520	GASKET, FLANGE	1	
8	6731-21-5110	PAN, OIL	1	
9	6731-21-5120	GASKET, OIL PAN	1	
10	6731-21-5140	BOLT, MOUNTING	28	

POWER

FLYWHEEL



E2AR0003

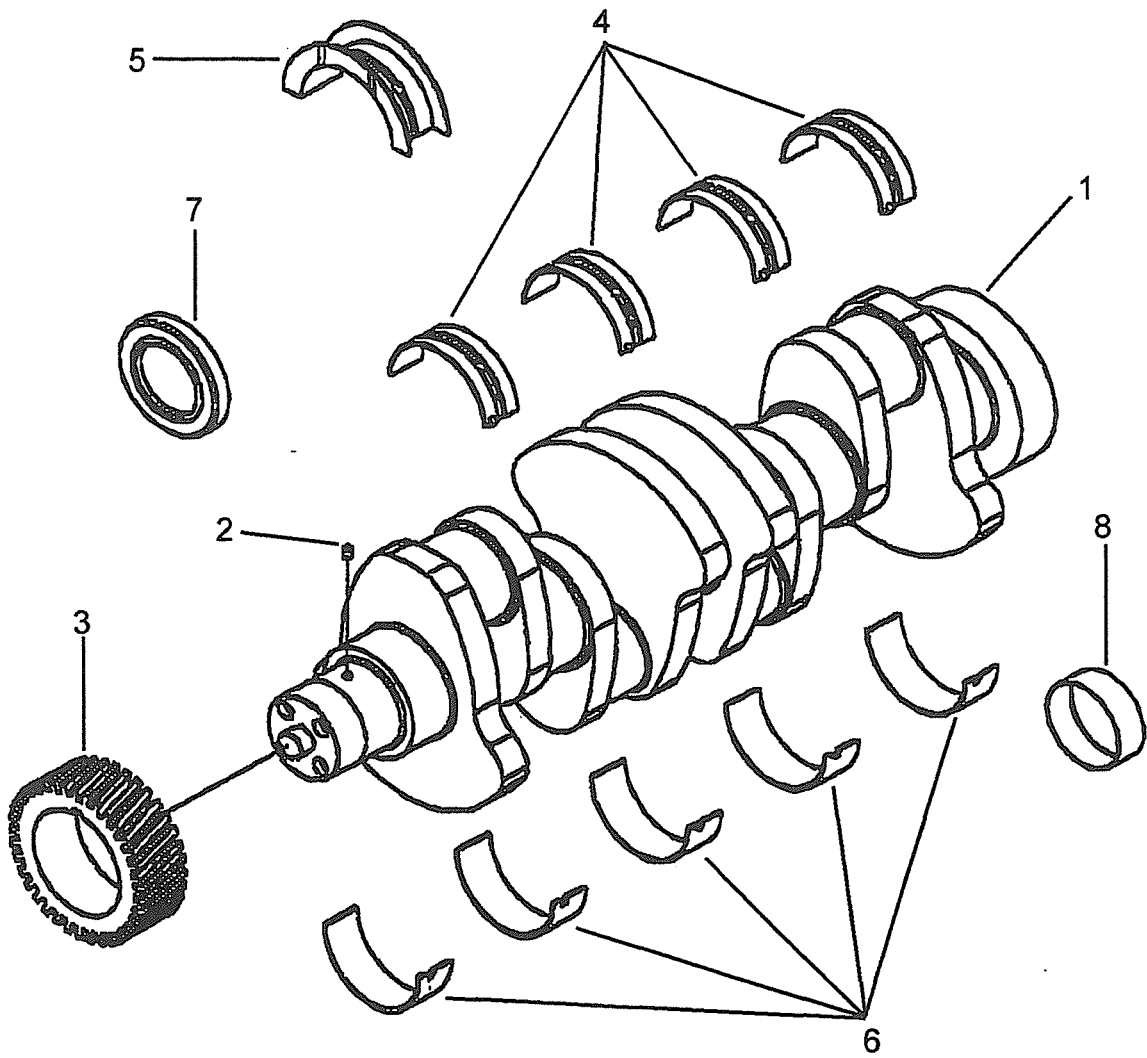
POWER

FLYWHEEL

Item	Part Number	Description	Qty.	Ref.
	6731-31-4220	FLYWHEEL ASSEMBLY	1	
1	NSS	.FLYWHEEL	1	
2	6735-31-4150	.GEAR, FLYWHEEL RING	1	
3	6732-31-4120	WASHER, PLAIN (1.65 THICK)	8	
4	6732-31-4130	BOLT (M12x1.25x32)	8	

POWER

CRANKSHAFT



E2AT0021

POWER

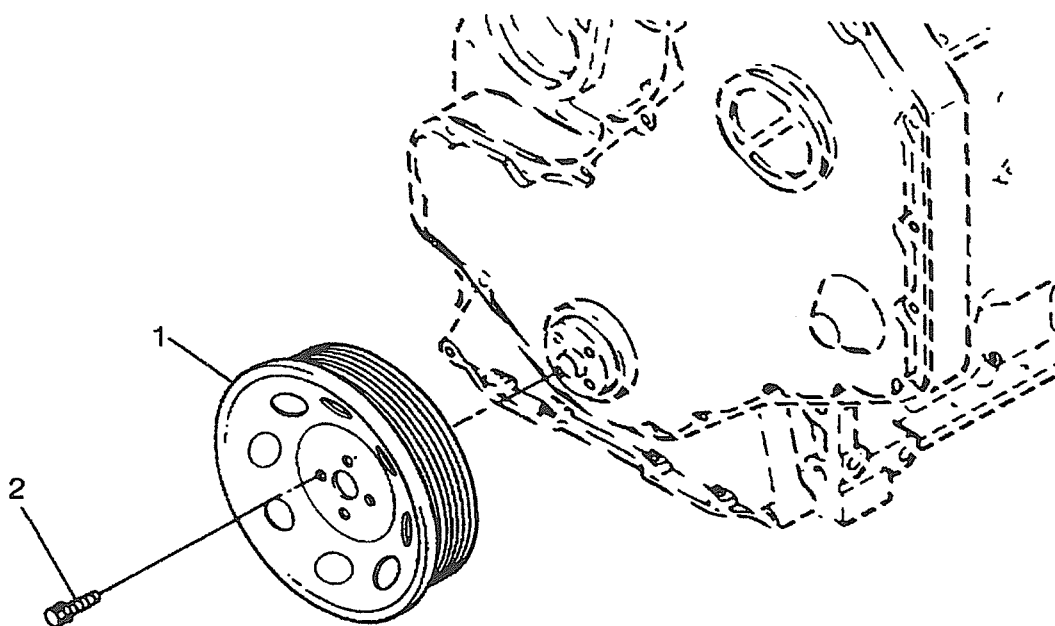
CRANKSHAFT

Item	Part Number	Description	Qty.	Ref.
	6732-31-1100	CRANKSHAFT ASSEMBLY	1	R1
1	NSS	.CRANKSHAFT	1	
2	6732-21-6150	.PIN, ROLL	1	
3	6732-31-1211	.GEAR, CRANKSHAFT	1	
	6732-29-8110	SET, MAIN BEARING - STD	1	
4	NSS	.BEARING, MAIN UPPER	4	
5	NSS	.BEARING, THRUST	1	
6	NSS	.BEARING, LOWER	5	
	6732-28-8100	SET, MAIN BEARING - 0.25MM OVER	1	
4	NSS	.BEARING, MAIN UPPER	4	
5	NSS	.BEARING, THRUST	1	
6	NSS	.BEARING, LOWER	5	
	6732-27-8100	SET, MAIN BEARING - 0.50MM OVER	1	
4	NSS	.BEARING, MAIN UPPER	4	
5	NSS	.BEARING, THRUST	1	
6	NSS	.BEARING, LOWER	5	
	6732-26-8100	SET, MAIN BEARING - 0.75MM OVER	1	
4	NSS	.BEARING, MAIN UPPER	4	
5	NSS	.BEARING, THRUST	1	
6	NSS	.BEARING, LOWER	5	
	6732-25-8100	SET, MAIN BEARING - 1.00MM OVER	1	
4	NSS	.BEARING, MAIN UPPER	4	
5	NSS	.BEARING, THRUST	1	
6	NSS	.BEARING, LOWER	5	
	6736-29-8700	SET, CRANKSHAFT THRUST BRG - 0.50MM OVER	1	
5	NSS	.BEARING, THRUST	1	
6	NSS	.BEARING, LOWER	1	
	6736-28-8700	SET, CRANKSHAFT THRUST BRG - 1.00MM OVER	1	
5	NSS	.BEARING, THRUST	1	
6	NSS	.BEARING, LOWER	1	
7	6736-39-1221	SLEEVE, WEAR - FRONT CRANK	1	
8	6736-39-1140	SLEEVE, WEAR - REAR CRANK	1	

R1 - REMANUFACTURED ASSEMBLY AVAILABLE; REFER TO REMANUFACTURED ASSEMBLIES CATALOG.

POWER

CRANKSHAFT PULLEY



E2AW0009

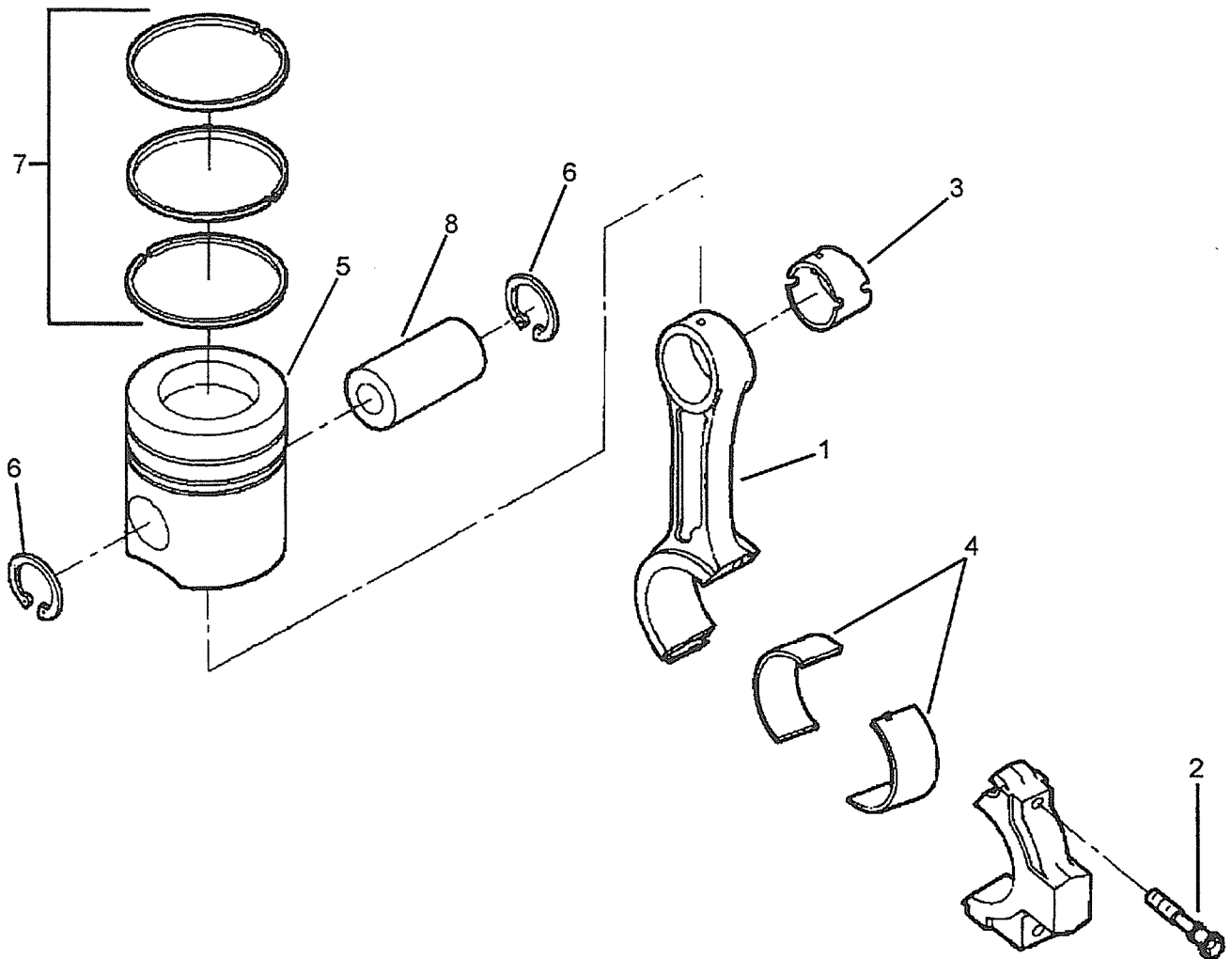
POWER

CRANKSHAFT PULLEY

Item	Part Number	Description	Qty.	Ref.
1	6732-31-1410	PULLEY, CRANKSHAFT	1	
2	6732-31-8120	BOLT	4	

POWER

CONNECTING ROD AND PISTON



E2AZ0021

POWER

CONNECTING ROD AND PISTON

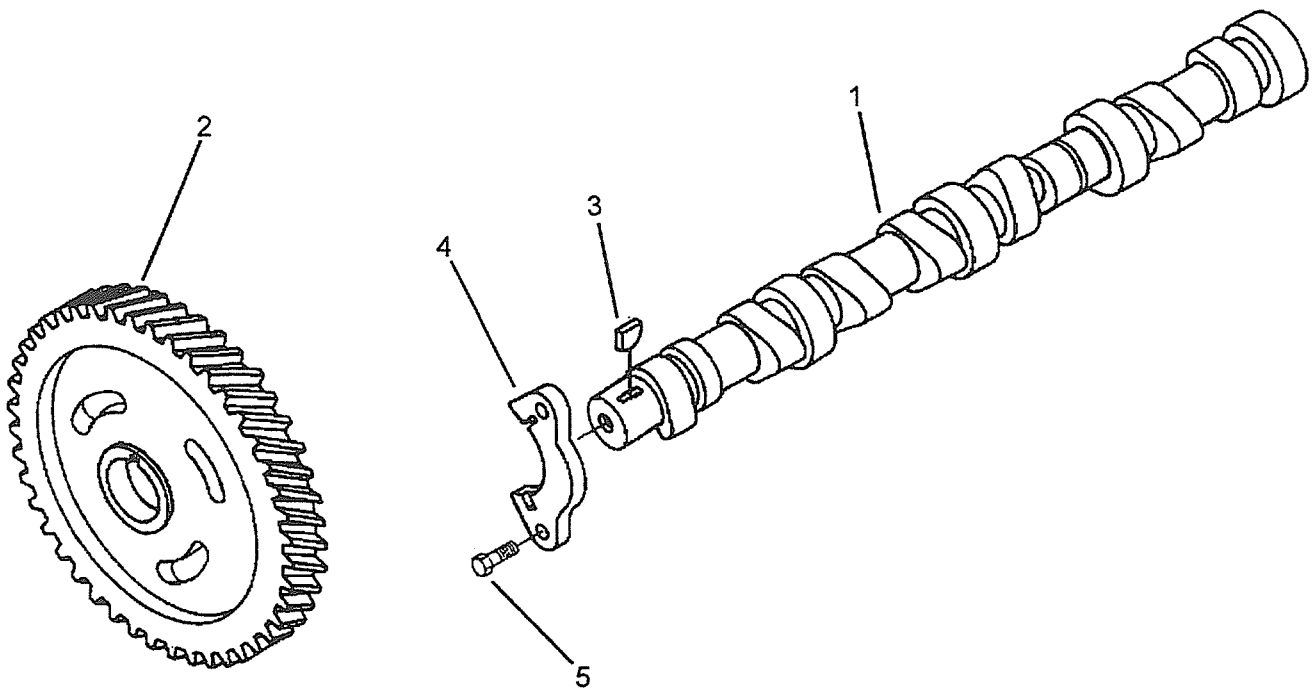
Item	Part Number	Description	Qty.	Ref.
	6732-31-3101	ENGINE CONNECTING ROD ASSEMBLY	4	
1	NSS	.ROD, ENGINE CONNECTING	1	
2	6732-31-3310	.BOLT, CONNECTING ROD CAP (MJ11x1.25x59)	2	
3	6732-31-3131	.BUSHING	1	
4	6732-31-3410	BEARING, CONNECTING ROD (STANDARD)	8	
	6735-31-2140	KIT, ENGINE PISTON	4	
5	NSS	.PISTON, ENGINE	1	
6	6736-31-2510	.RING, RETAINING	2	
7	6735-31-2030	.SET, PISTON RING	1	
8	6732-31-2410	PIN, PISTON	4	

OVERSIZE SERVICE PARTS

4	6736-39-3400	BEARING, CONNECTING ROD (0.25MM OVERSIZE)	A/R	
4	6736-38-3400	BEARING, CONNECTING ROD (0.50MM OVERSIZE)	A/R	
4	6736-37-3400	BEARING, CONNECTING ROD (0.75MM OVERSIZE)	A/R	
4	6736-36-3400	BEARING, CONNECTING ROD (1.00MM OVERSIZE)	A/R	
	6735-39-2210	KIT, ENGINE PISTON (0.50MM OVERSIZE)	4	
5	NSS	.PISTON, ENGINE	1	
6	6736-31-2510	.RING, RETAINING	2	
7	6732-39-2300	.SET, PISTON RING	1	
	6735-38-2210	KIT, ENGINE PISTON (1.00MM OVERSIZE)	4	
5	NSS	.PISTON, ENGINE	1	
6	6736-31-2510	.RING, RETAINING	2	
7	6732-38-2300	.SET, PISTON RING	1	

POWER

CAMSHAFT



E2BC0024

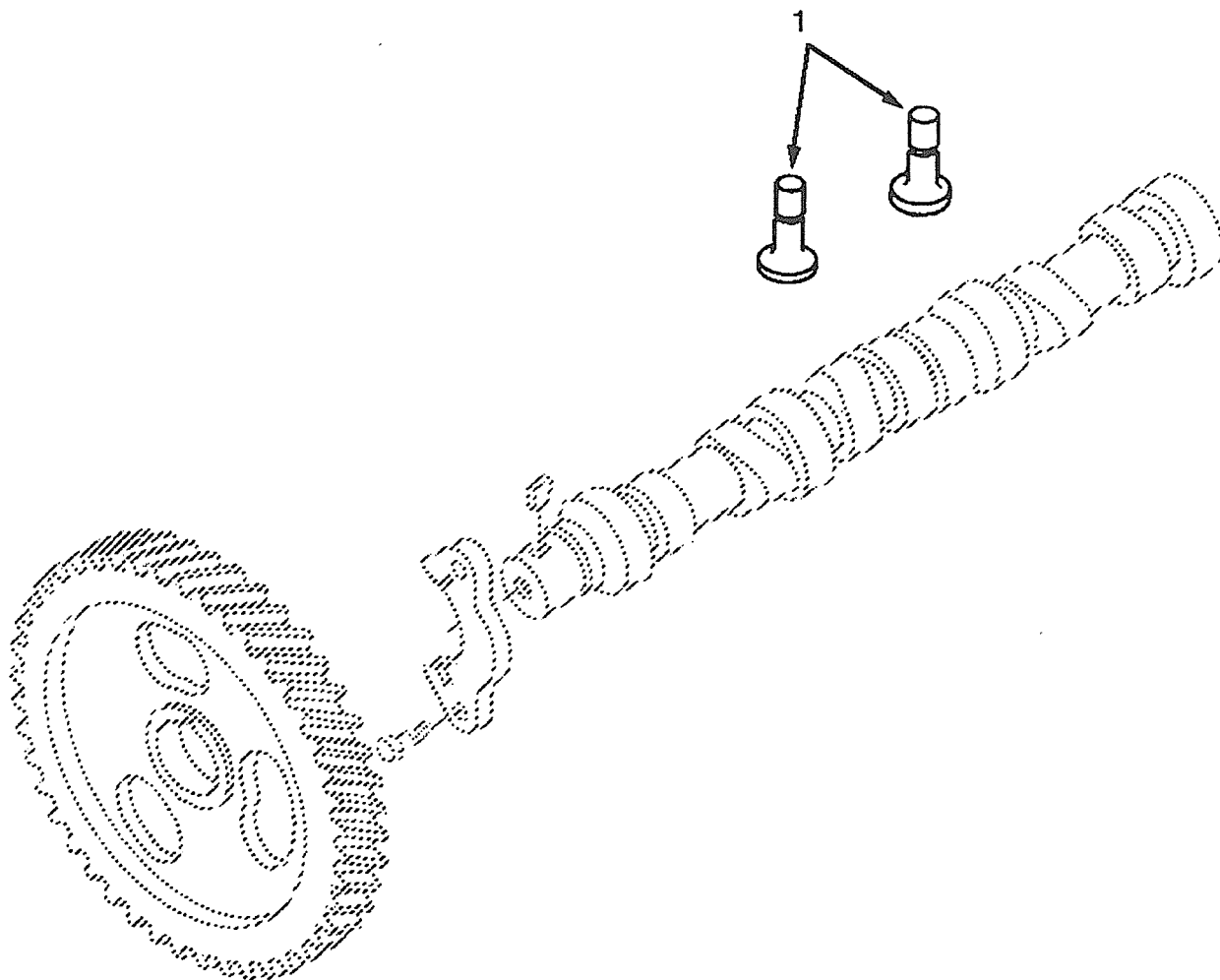
POWER

CAMSHAFT

Item	Part Number	Description	Qty.	Ref.
1	6732-41-1111	CAMSHAFT	1	
2	6732-41-1231	GEAR, CAMSHAFT	1	
3	6732-41-1280	KEY, PLAIN WOODRUFF	1	
4	6732-41-1220	SUPPORT, CAMSHAFT THRUST	1	
5	6732-41-1260	BOLT (M8x1.25x22)	2	

POWER

VALVE TAPPET



E2BF0005

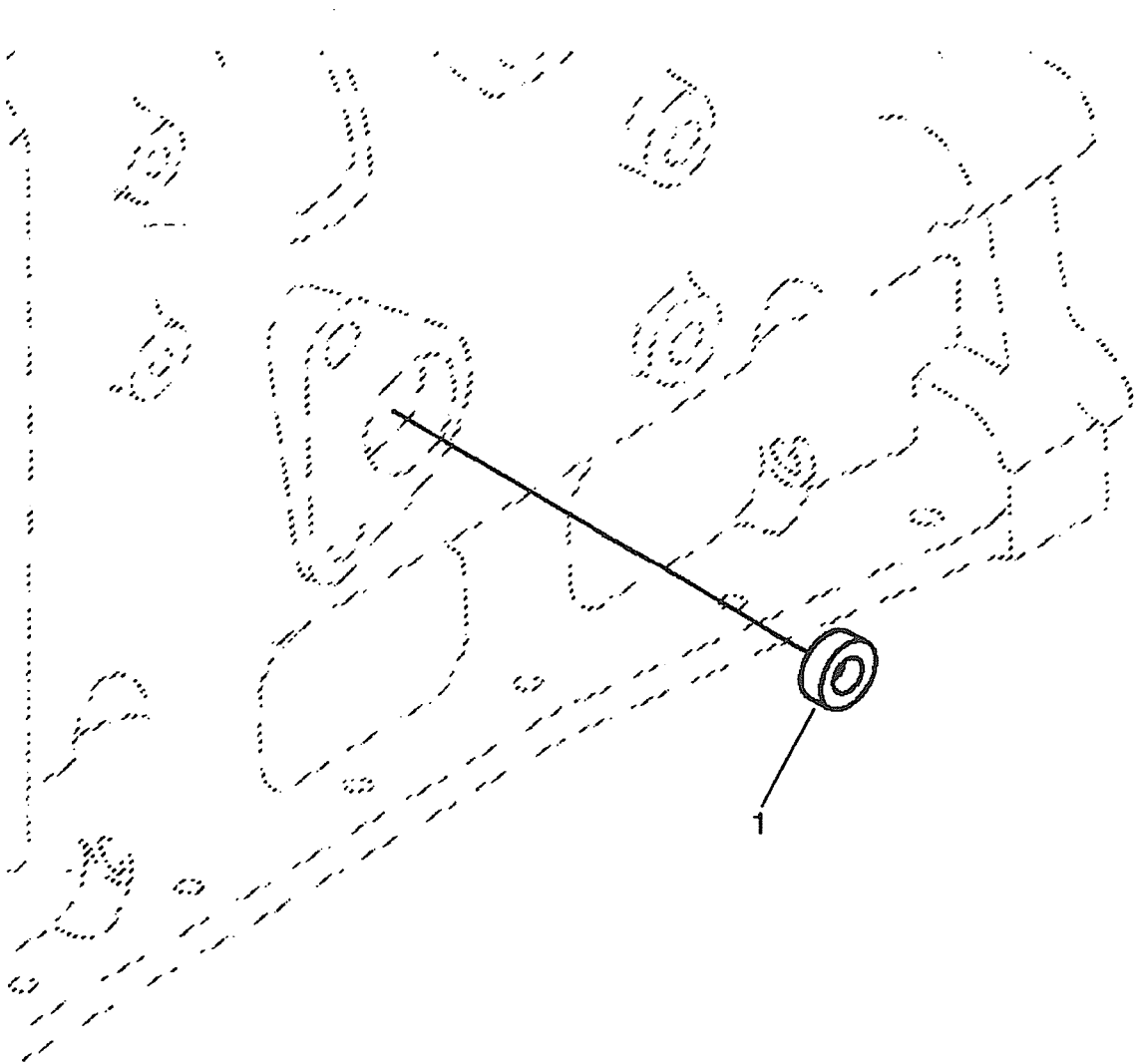
POWER

VALVE TAPPET

Item	Part Number	Description	Qty.	Ref.
1	6732-41-2112	TAPPET, VALVE	8	

POWER

CYLINDER BLOCK COVER



E2BL0017

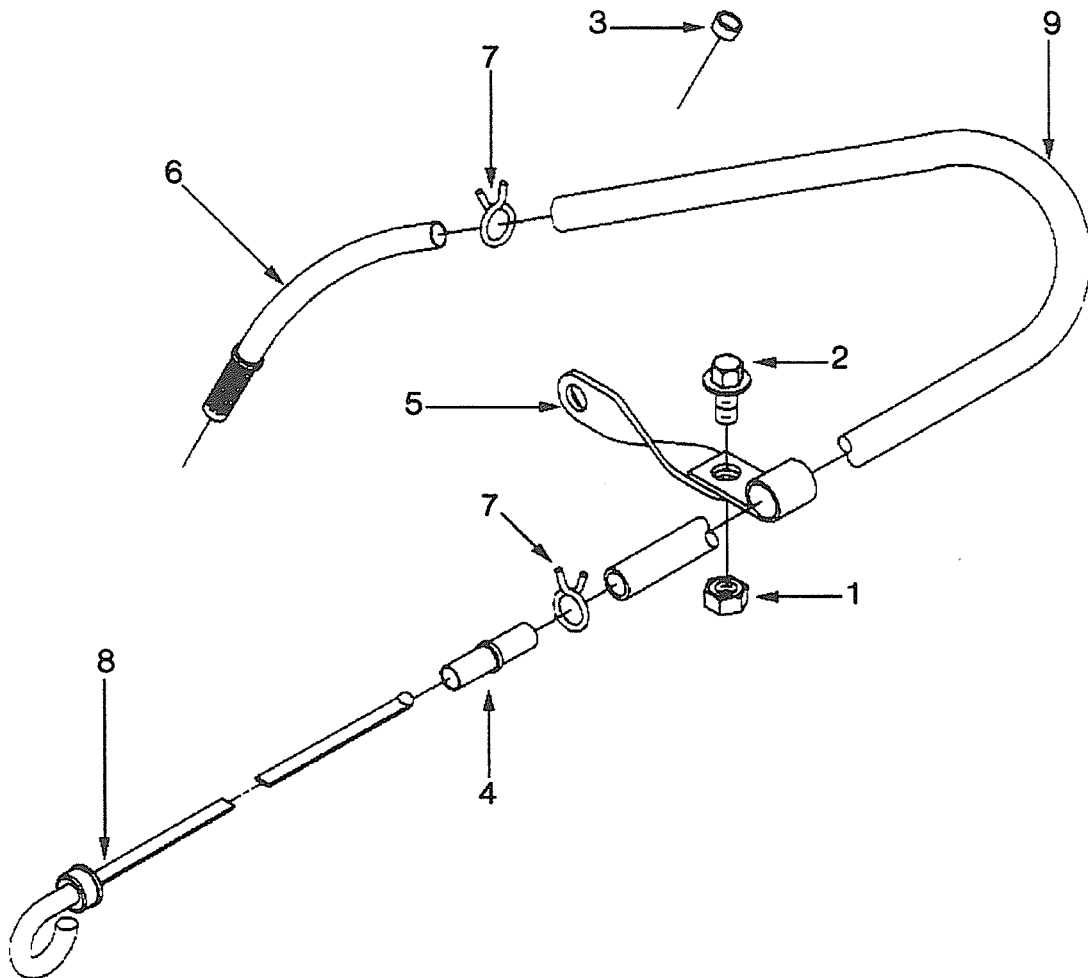
POWER

CYLINDER BLOCK COVER

Item	Part Number	Description	Qty.	Ref.
1	6732-21-6160	COVER, CYLINDER BLOCK	1	

POWER

OIL LEVEL GAUGE



E2BO0032

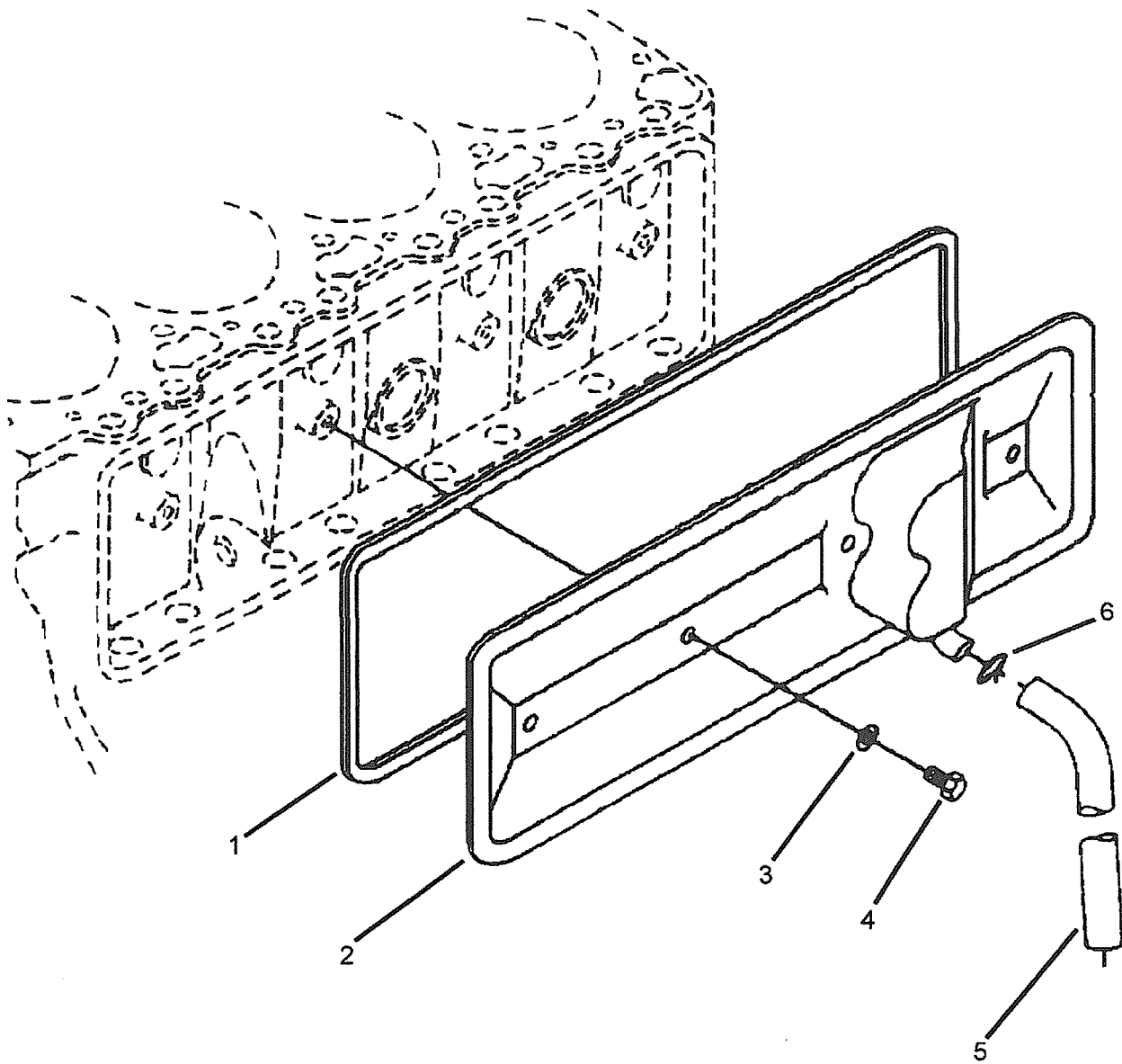
POWER

OIL LEVEL GAUGE

Item	Part Number	Description	Qty.	Ref.
1	6732-41-6210	NUT, MOUNTING (M8x1.25)	1	
2	6736-21-5310	BOLT, MOUNTING (M8x1.25x16)	1	
3	6732-21-5530	PLUG, EXPANSION	1	
4	6732-21-5360	END, TUBE	1	
5	6731-21-5420	BRACE, TUBE	1	
6	6736-21-5330	TUBE, OIL GAUGE	1	
7	6732-11-8910	CLAMP, SPRING HOSE	1	
8	6731-21-5310	DIPSTICK	1	
9	6731-21-5410	TUBE, OIL GAUGE	1	

POWER

CAM FOLLOWER COVER



E2BR0012

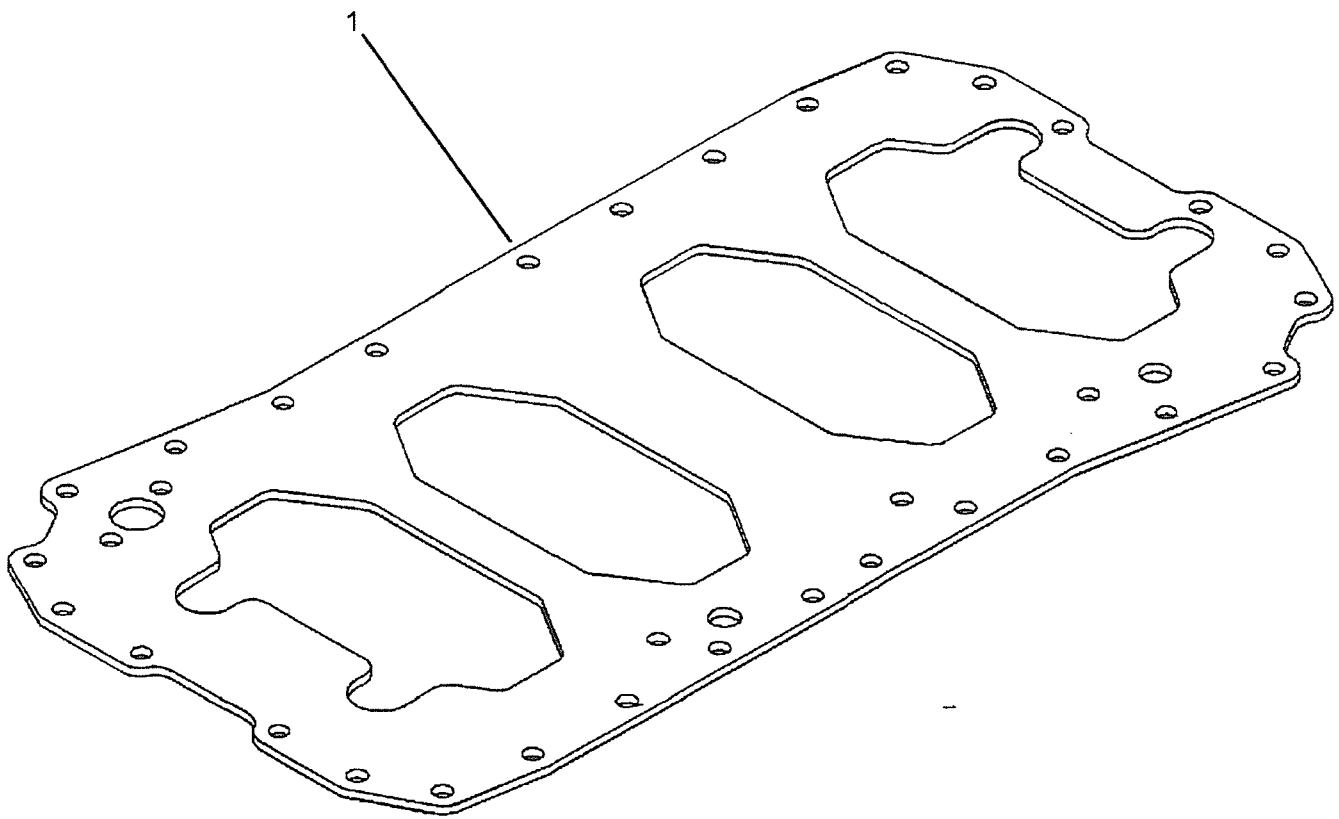
POWER

CAM FOLLOWER COVER

Item	Part Number	Description	Qty.	Ref.
1	6732-21-6261	GASKET, PUSH ROD COVER	1	
2	6731-21-6210	COVER, PUSH ROD	1	
3	6732-21-6280	SEAL, GROMMET	2	
4	6732-21-6280	BOLT, MOUNTING	2	
5	6735-21-6120	HOSE, PLAIN	1	
6	6732-21-6130	CLAMP, SPRING HOSE	1	

POWER

NOISE PANEL



E2ZZ0008

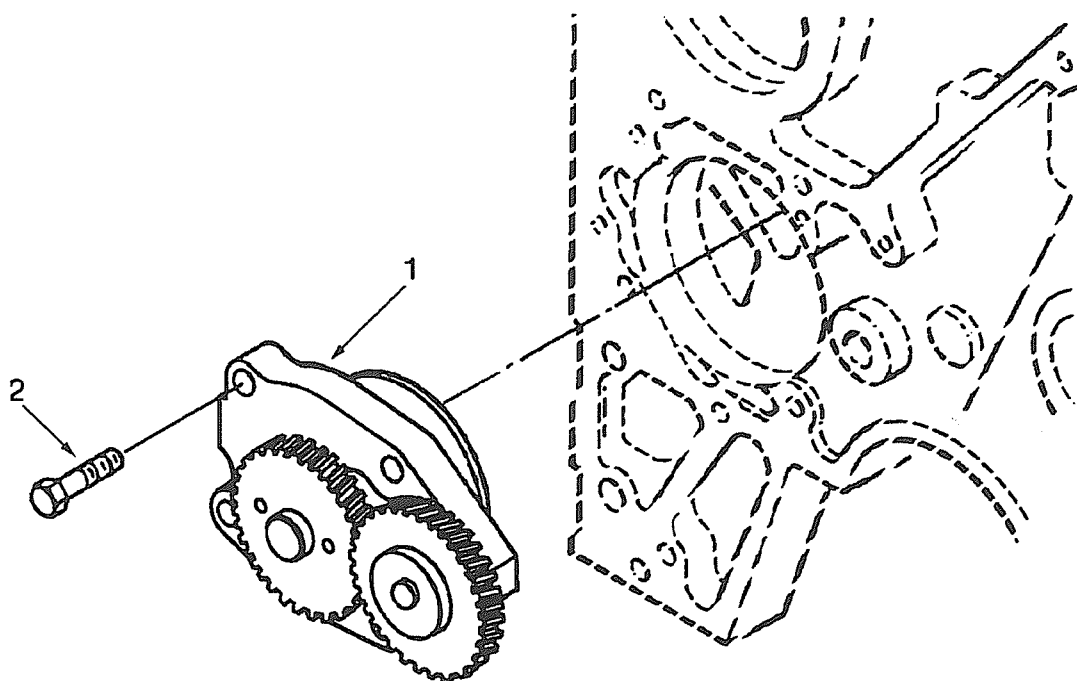
POWER

NOISE PANEL

Item	Part Number	Description	Qty.	Ref.
1	6732-21-5150	PLATE, CYLINDER BLOCK STIFFENER	1	

POWER

LUBRICATING OIL PUMP



E3AC0013

POWER

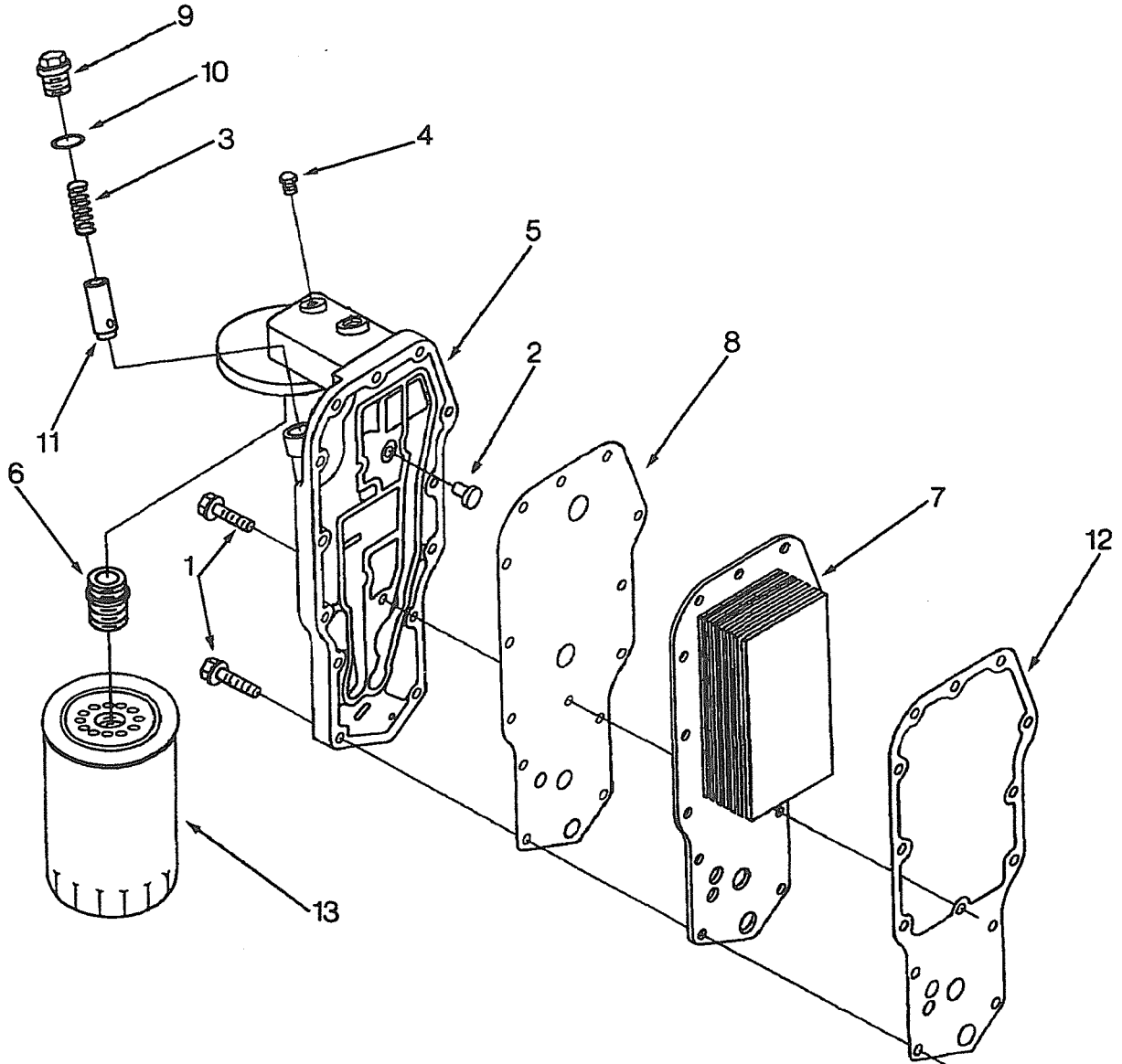
LUBRICATING OIL PUMP

Item	Part Number	Description	Qty.	Ref.
1	6732-51-1111	PUMP, LUBRICATING OIL	1	R1
2	6735-51-1120	BOLT (M8x1.25x30)	4	

R1 - REMANUFACTURED ASSEMBLY AVAILABLE; REFER TO REMANUFACTURED ASSEMBLIES CATALOG.

POWER

LUBRICATING OIL COOLER



E3AL0025

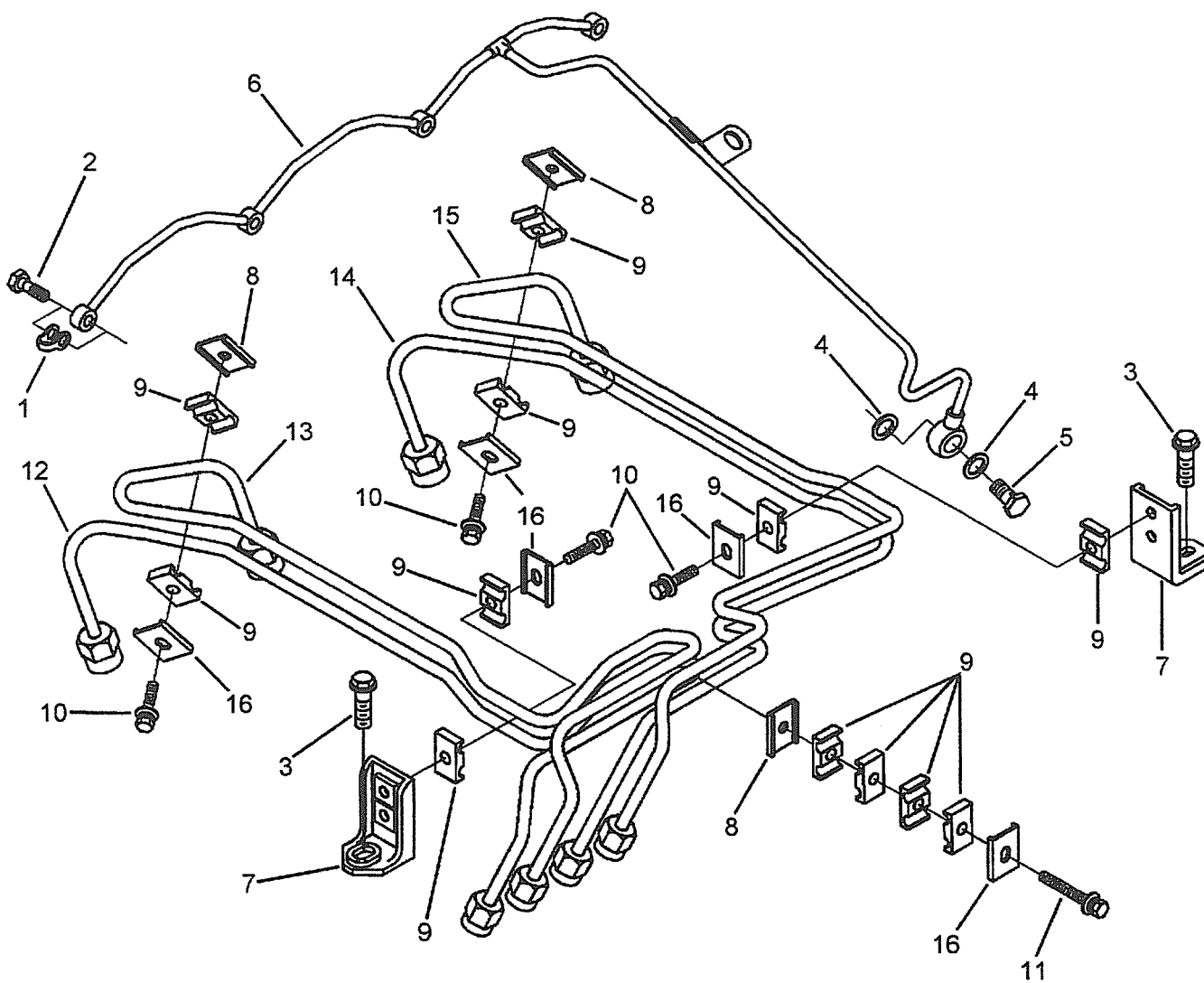
POWER

LUBRICATING OIL COOLER

Item	Part Number	Description	Qty.	Ref.
1	6732-61-6140	BOLT (M8x1.25x35)	14	
2	6731-61-2150	VALVE, PRESSURE RELIEF	1	
3	6732-61-2220	SPRING, COMPRESSION	1	
4	6732-11-1930	PLUG, PIPE (1/8 NPT)	1	
	6736-61-5170	FILTER HEAD ASSEMBLY	1	
5	NSS	.HEAD, LUBRICATING OIL FILTER	1	
6	6736-61-5180	.ADAPTER, FILTER HEAD	1	
7	6732-61-2110	CORE, COOLER	1	
8	6732-51-4431	GASKET, FILTER HEAD	1	
9	6735-61-2140	PLUG, THREADED (M22x1.50)	1	
10	6732-51-4420	O-RING	1	
11	6735-61-2160	PLUNGER, PRESSURE REGULATOR	1	
12	6732-61-2311	GASKET, OIL COOLER CORE	1	
13	6732-51-5310	FILTER, LUBRICATING OIL	1	

POWER

FUEL PLUMBING



E4AC0069

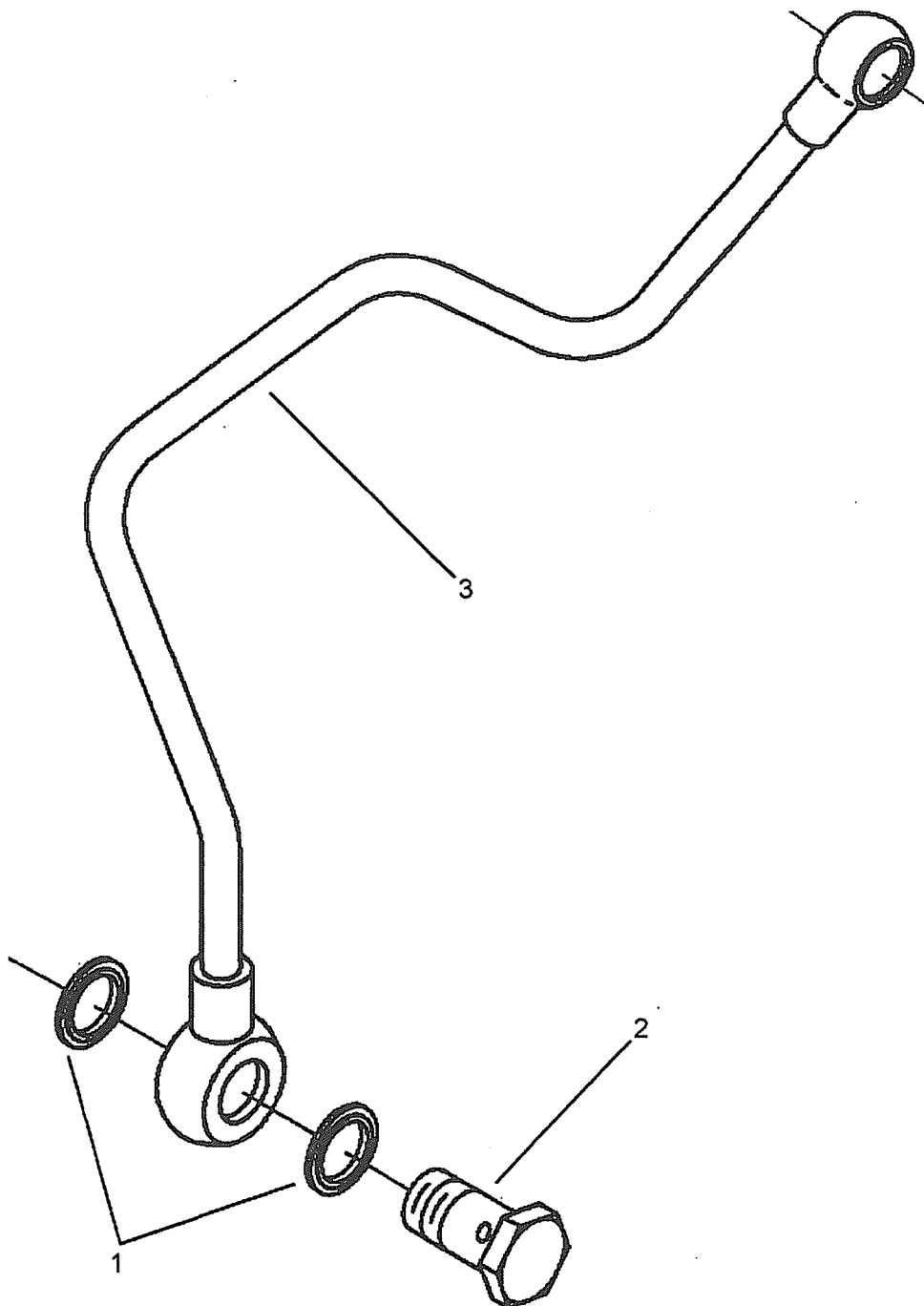
POWER

FUEL PLUMBING

Item	Part Number	Description	Qty.	Ref.
1	6732-71-6230	SEAL, BANJO CONNECTOR	4	
2	6732-71-6240	BOLT, BANJO CONNECTOR (M6x1.00x14.3)	4	
3	6732-11-4160	BOLT (M8x1.25x25)	2	
4	6731-71-5850	WASHER, SEALING	2	
5	6732-71-5690	VALVE, CHECK	1	
6	6731-71-5220	MANIFOLD, FUEL	1	
7	6735-71-5790	BRACE, TUBE	1	
8	6735-71-5840	BRACE, TUBE	2	
9	6735-71-5860	ISOLATOR, VIBRATION.	6	
10	6734-71-5520	BOLT (M5x0.8x24.5)	3	
11	6733-71-5670	BOLT (M5x0.8x35)	1	
12	6731-71-5240	TUBE, INJECTOR FUEL	1	
13	6731-71-5250	TUBE, INJECTOR FUEL	1	
14	6731-71-5350	TUBE, INJECTOR FUEL	1	
15	6731-71-2560	TUBE, INJECTOR FUEL	1	
16	6735-71-5820	BRACE, TUBE	11	

POWER

FUEL FILTER PLUMBING



E4AF0035

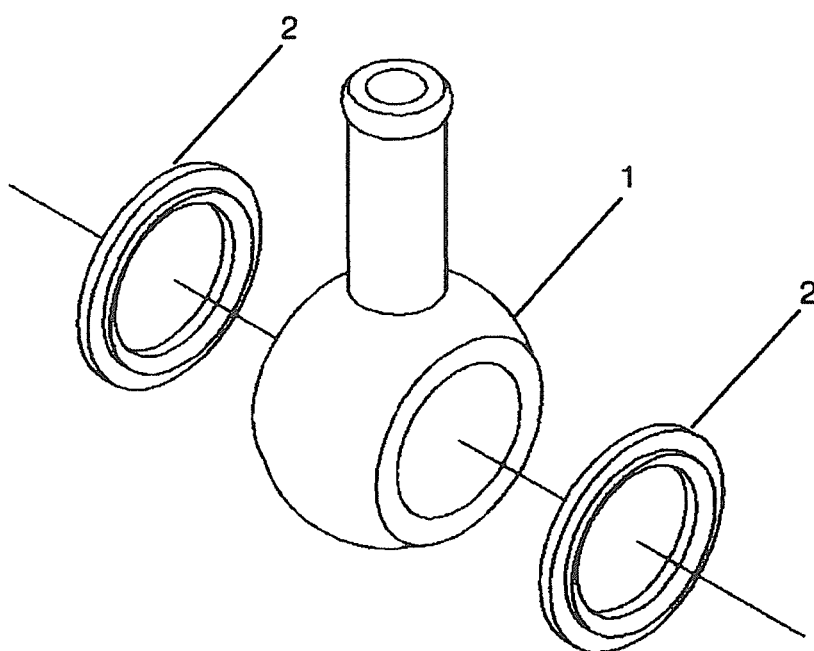
POWER

FUEL FILTER PLUMBING

Item	Part Number	Description	Qty.	Ref.
1	6731-71-5880	WASHER, SEALING	2	
2	6732-71-5620	BOLT, BANJO CONNECTOR (M14x1.50x26)	1	
3	6731-71-5230	TUBE, FUEL SUPPLY	1	

POWER

DRAIN TUBE CONNECTION - FUEL PUMP



E4AF0031

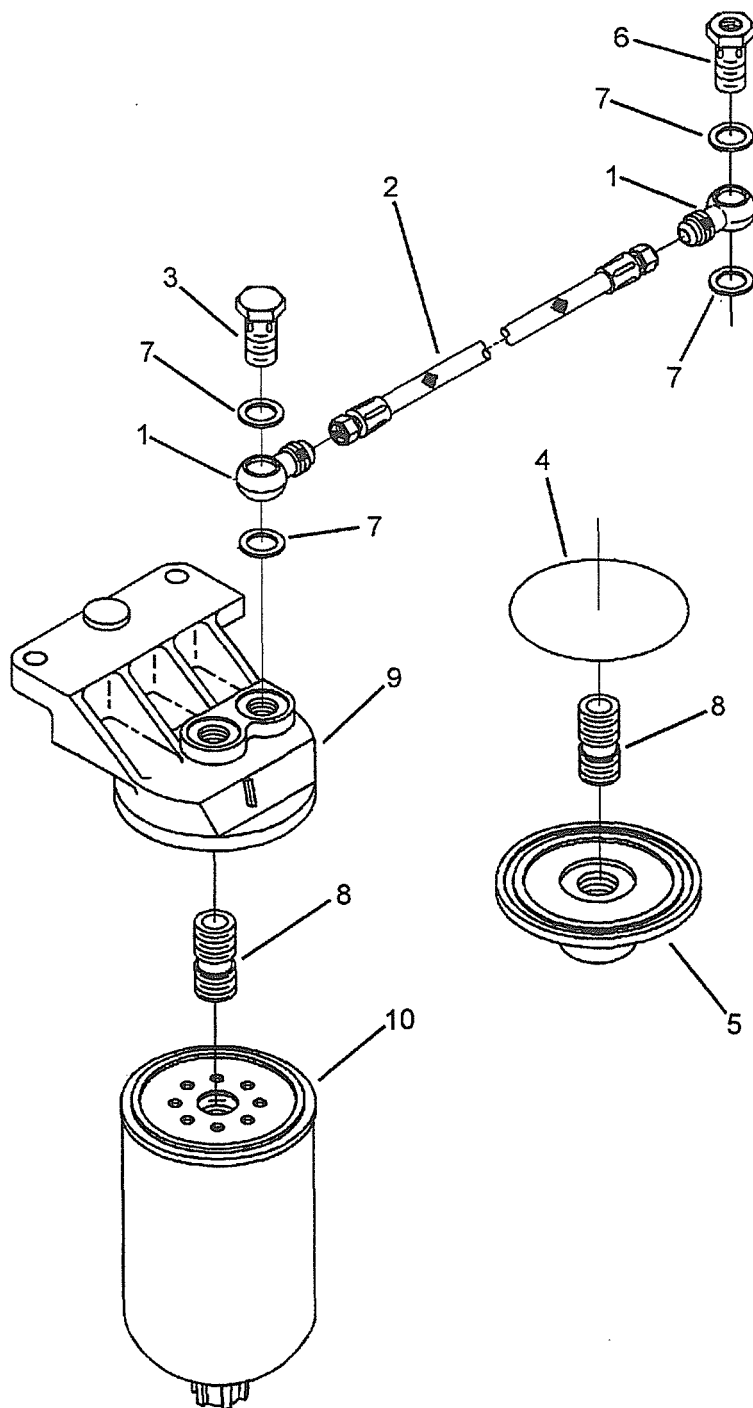
POWER

DRAIN TUBE CONNECTION - FUEL PUMP

Item	Part Number	Description	Qty.	Ref.
1	6732-71-2170	CONNECTOR, BANJO	1	
2	6731-71-5880	WASHER, SEALING	2	

POWER

FUEL FILTER



E4AI0055

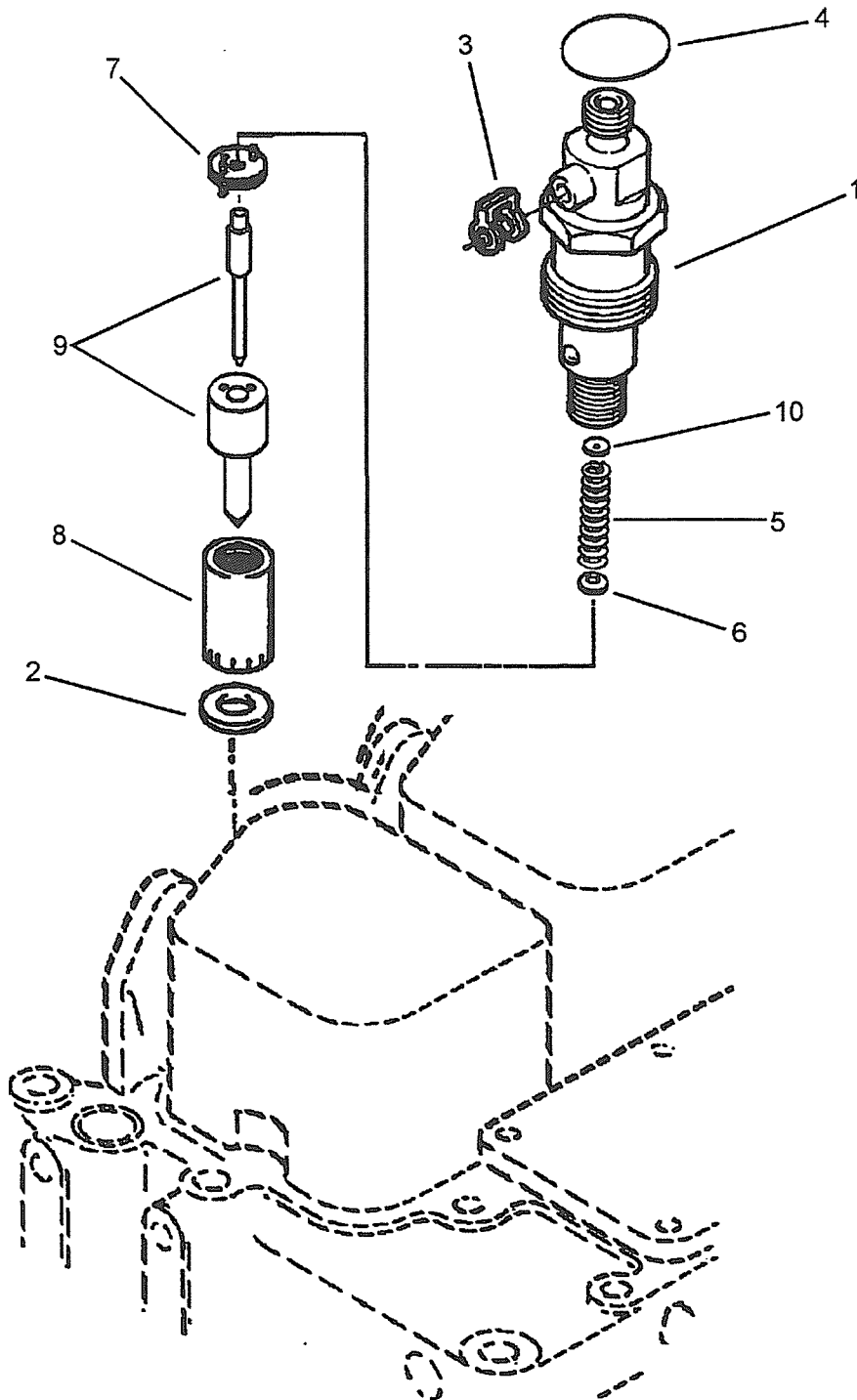
POWER

FUEL FILTER

Item	Part Number	Description	Qty.	Ref.
1	6742-01-0640	CONNECTOR, BANJO	2	
2	6733-71-6220	HOSE, FUEL	1	
3	6732-71-6510	BOLT, BANJO CONNECTOR (M12x1.50x24)	1	
4	6732-71-6140	SEAL, O-RING	1	
5	6733-71-6310	COVER, FILTER HEAD	1	
6	6736-71-5820	BOLT, BANJO CONNECTOR (M12x1.50x24)	1	
7	6731-71-5870	WASHER, SEALING	4	
8	6732-71-6650	ADAPTER, FILTER HEAD	2	
9	6735-71-6230	HEAD, FUEL FILTER	1	
10	6731-71-9110	FILTER, WATER-FUEL SEPARATOR	1	

POWER

FUEL INJECTOR



E4AL0031

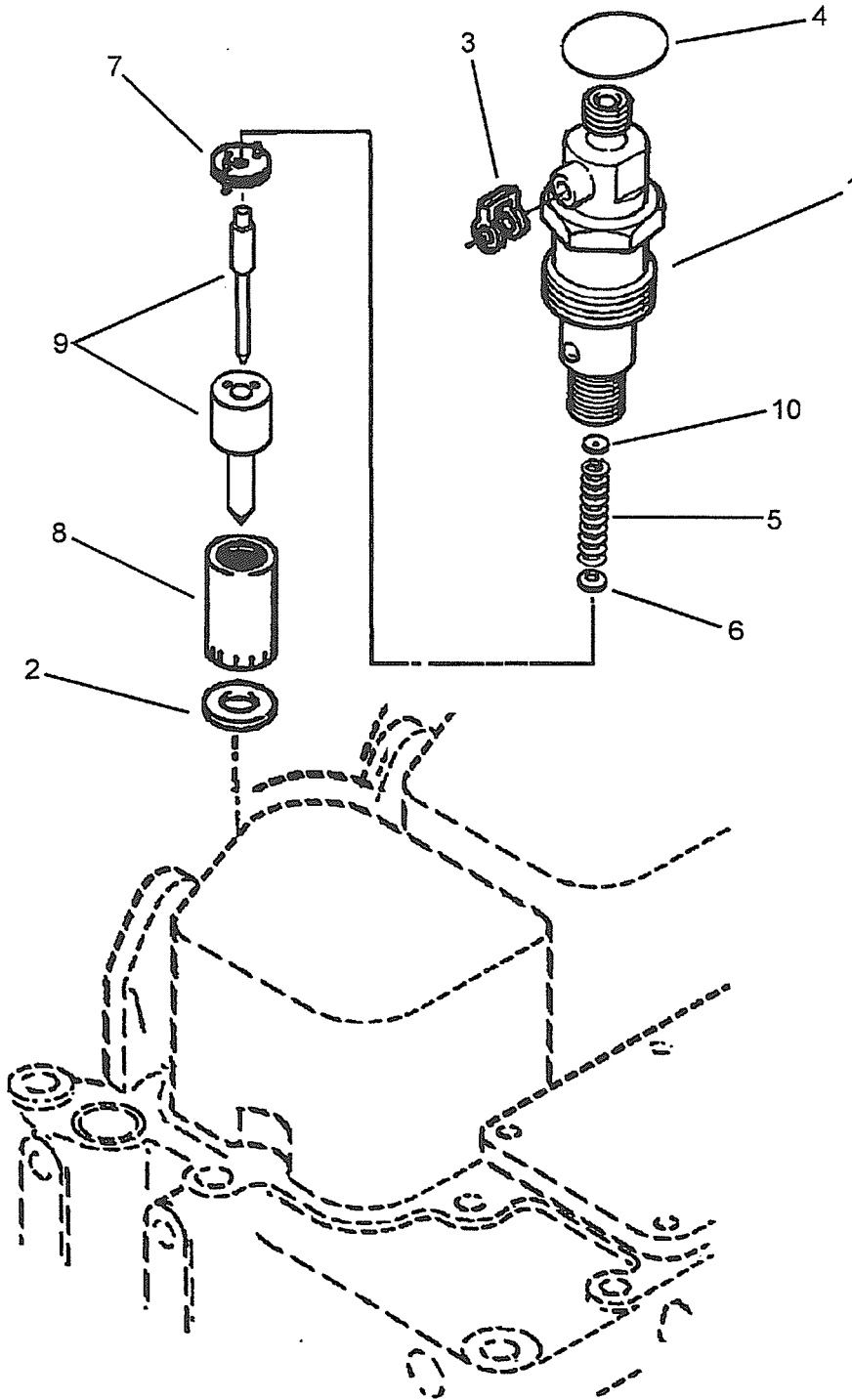
POWER

FUEL INJECTOR

Item	Part Number	Description	Qty.	Ref.
	6733-11-3100	FUEL INJECTOR ASSEMBLY	4	R1
1	NSS	.INJECTOR, FUEL	1	
2	6732-71-6230	.SEAL, BANJO CONNECTOR	1	
3	6732-11-3850	.SEAL, RECTANGULAR RING	1	
4	6736-11-3420	SEAL, INJECTOR	1	
5	6734-11-3160	SPRING, COMPRESSION	4	
6	6734-11-3120	SPINDLE	4	
7	6734-11-3130	DISC, INTERMEDIATE	4	
8	6734-11-3140	RETAINER, INJECTOR NOZZLE	4	
9	6734-11-3150	NOZZLE, INJECTOR	4	
10	6734-11-3610	SHIM - 1.00MM	AR	
	6734-11-3620	SHIM - 1.04MM	AR	
	6734-11-3630	SHIM - 1.08MM	AR	
	6734-11-3640	SHIM - 1.10MM	AR	
	6734-11-3650	SHIM - 1.14MM	AR	
	6734-11-3660	SHIM - 1.18MM	AR	
	6734-11-3670	SHIM - 1.20MM	AR	
	6734-11-3680	SHIM - 1.24MM	AR	
	6734-11-3690	SHIM - 1.28MM	AR	
	6734-11-3710	SHIM - 1.30MM	AR	
	6734-11-3720	SHIM - 1.34MM	AR	
	6734-11-3730	SHIM - 1.38MM	AR	
	6734-11-3740	SHIM - 1.40MM	AR	
	6734-11-3750	SHIM - 1.44MM	AR	
	6734-11-3760	SHIM - 1.48MM	AR	
	6734-11-3770	SHIM - 1.50MM	AR	
	6734-11-3780	SHIM - 1.54MM	AR	
	6734-11-3790	SHIM - 1.58MM	AR	
	6734-11-3810	SHIM - 1.60MM	AR	
	6734-11-3820	SHIM - 1.64MM	AR	
	6734-11-3830	SHIM - 1.68MM	AR	
	6734-11-3840	SHIM - 1.70MM	AR	
	6734-11-3850	SHIM - 1.74MM	AR	
	6734-11-3860	SHIM - 1.78MM	AR	
	6734-11-3870	SHIM - 1.80MM	AR	
	6734-11-3880	SHIM - 1.84MM	AR	
	6734-11-3890	SHIM - 1.88MM	AR	

POWER

FUEL INJECTOR



E4AL0031

POWER

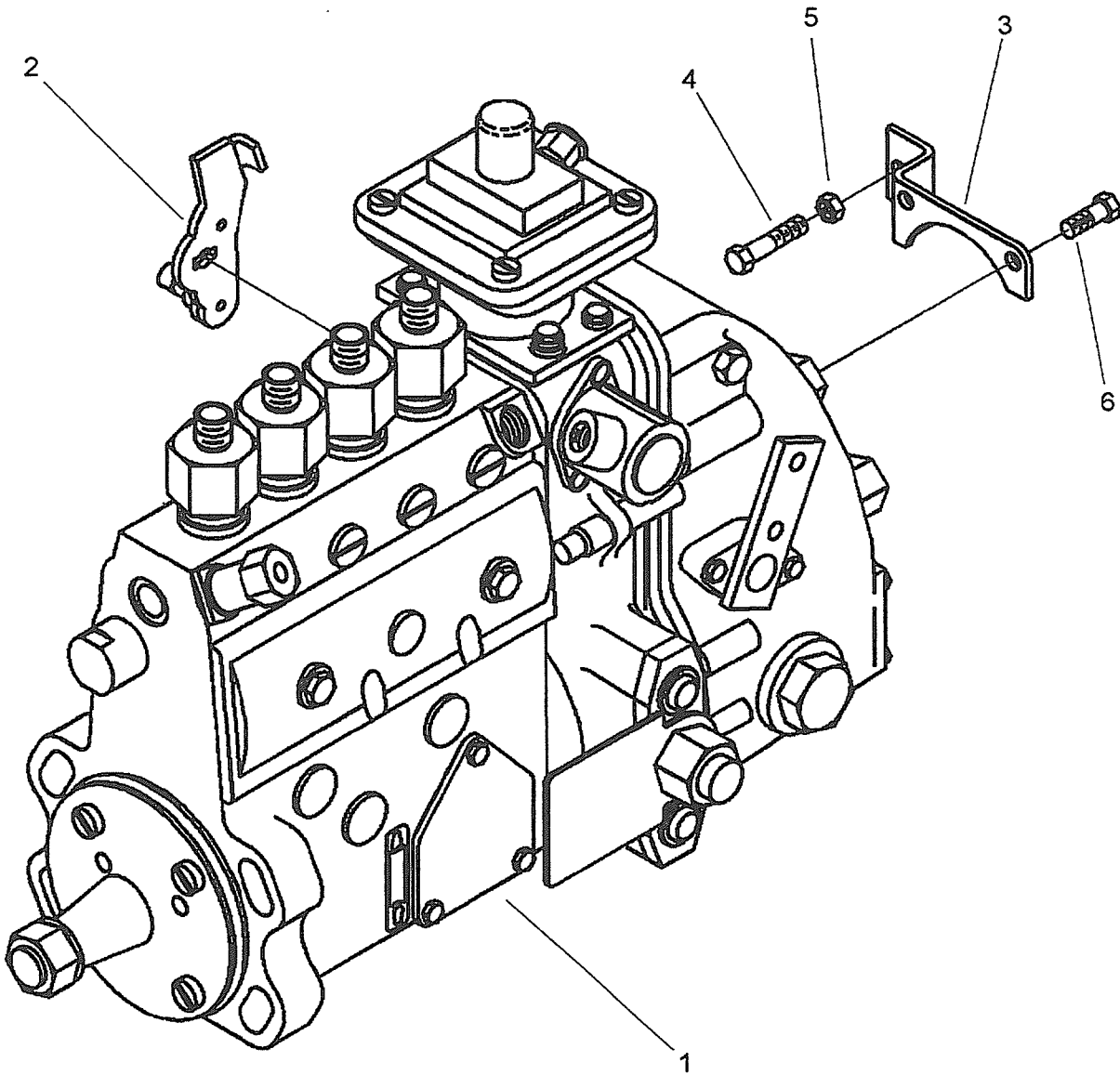
FUEL INJECTOR

Item	Part Number	Description	Qty.	Ref.
	6734-11-3910	SHIM - 1.90MM		AR
	6734-11-3920	SHIM - 1.94MM		AR
	6734-11-3930	SHIM - 1.98MM		AR

R1 - REMANUFACTURED ASSEMBLY AVAILABLE; REFER TO REMANUFACTURED
ASSEMBLIES CATALOG

POWER

FUEL PUMP



E4AO0075

POWER

FUEL PUMP

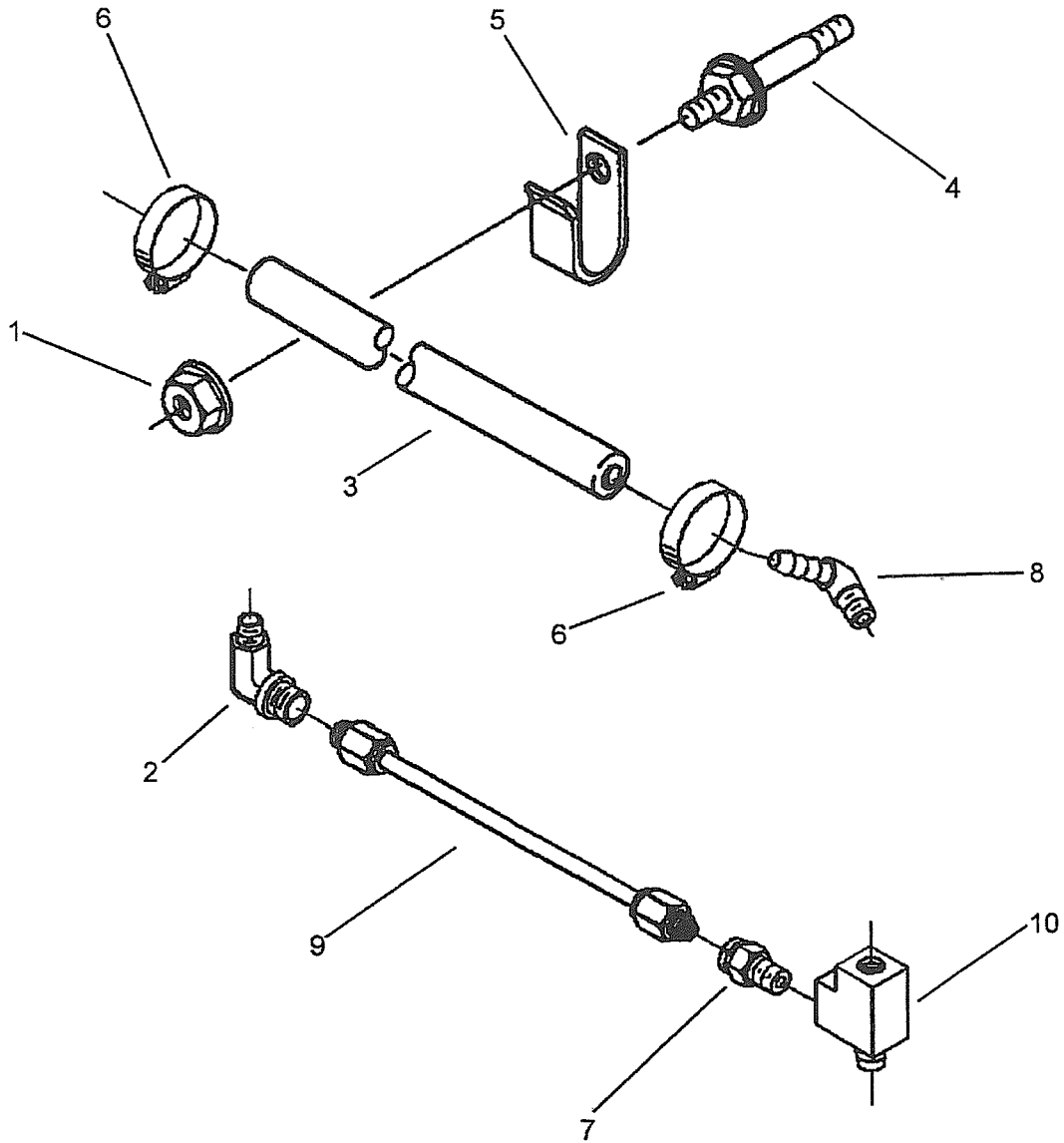
Item	Part Number	Description	Qty.	Ref.
	6731-71-1320	FUEL PUMP ASSEMBLY	1	F1, R1
1	6731-71-1330	.PUMP, FUEL INJECTION	1	
2	6731-71-1910	.LEVER, SHUTOFF VALVE	1	
3	6731-71-3620	.BRACKET, GOVERNOR	1	
4	6731-71-3630	.BOLT	1	
5	6731-71-3640	.NUT, LOCK	1	
6	6731-71-3650	.BOLT	2	

F1 - SERVICE PARTS WILL NOT BE RELEASED FOR THIS ASSEMBLY.

R1 - REMANUFACTURED ASSEMBLY AVAILABLE: REFER TO REMANUFACTURED ASSEMBLIES CATALOG.

POWER

AIR FUEL CONTROL PLUMBING



E4BG0008

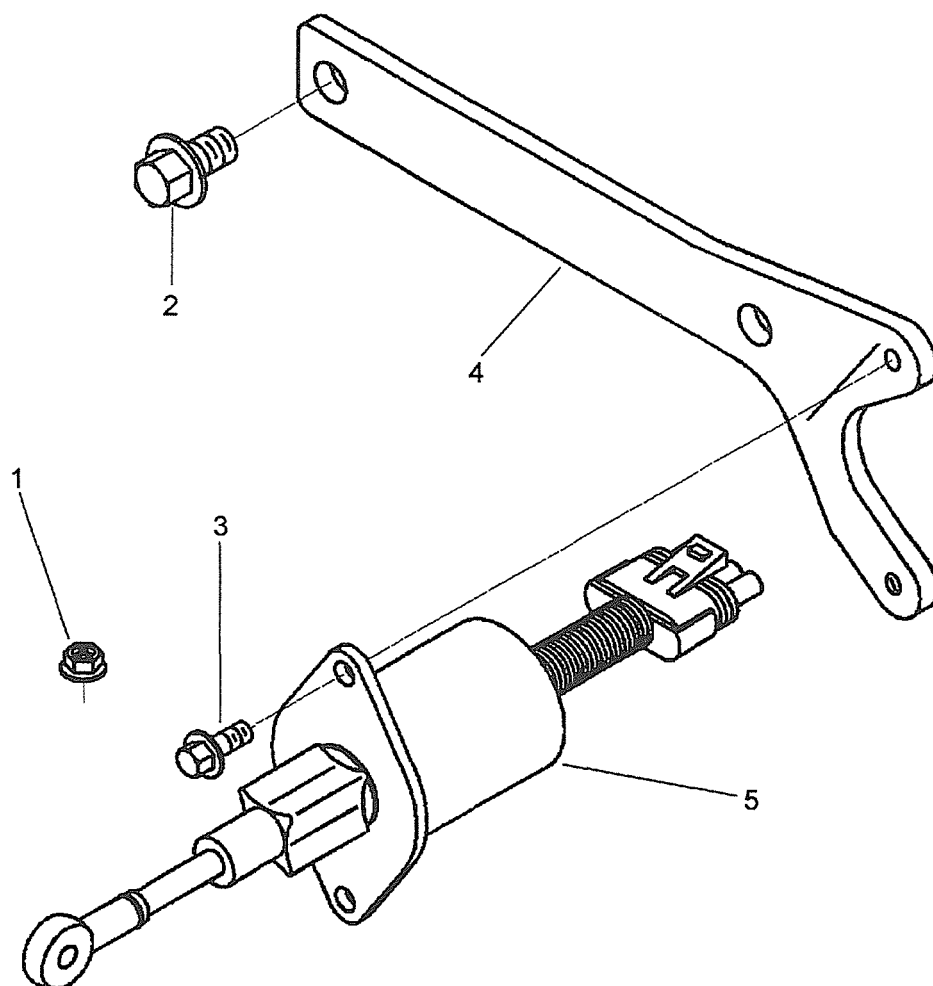
POWER

AIR FUEL CONTROL PLUMBING

Item	Part Number	Description	Qty.	Ref.
1	6732-71-3210	NUT (M8x1.25)	1	
2	6732-81-8150	ELBOW, MALE ADAPTER	1	
3	6732-85-4210	HOSE, PLAIN	1	
4	6732-11-8140	BOLT (M8x1.25x21)	1	
5	6732-81-8180	CLIP	1	
6	6732-81-8190	CLAMP, HOSE	2	
7	6735-81-8230	CONNECTOR, MALE	1	
8	6735-11-4520	COUPLING, ELBOW	1	
9	6735-81-8190	TUBE, AIR FUEL CONTROL	1	
10	6733-81-8140	TEE, STREET PIPE	1	

POWER

FUEL SHUTOFF VALVE



E4BL0023

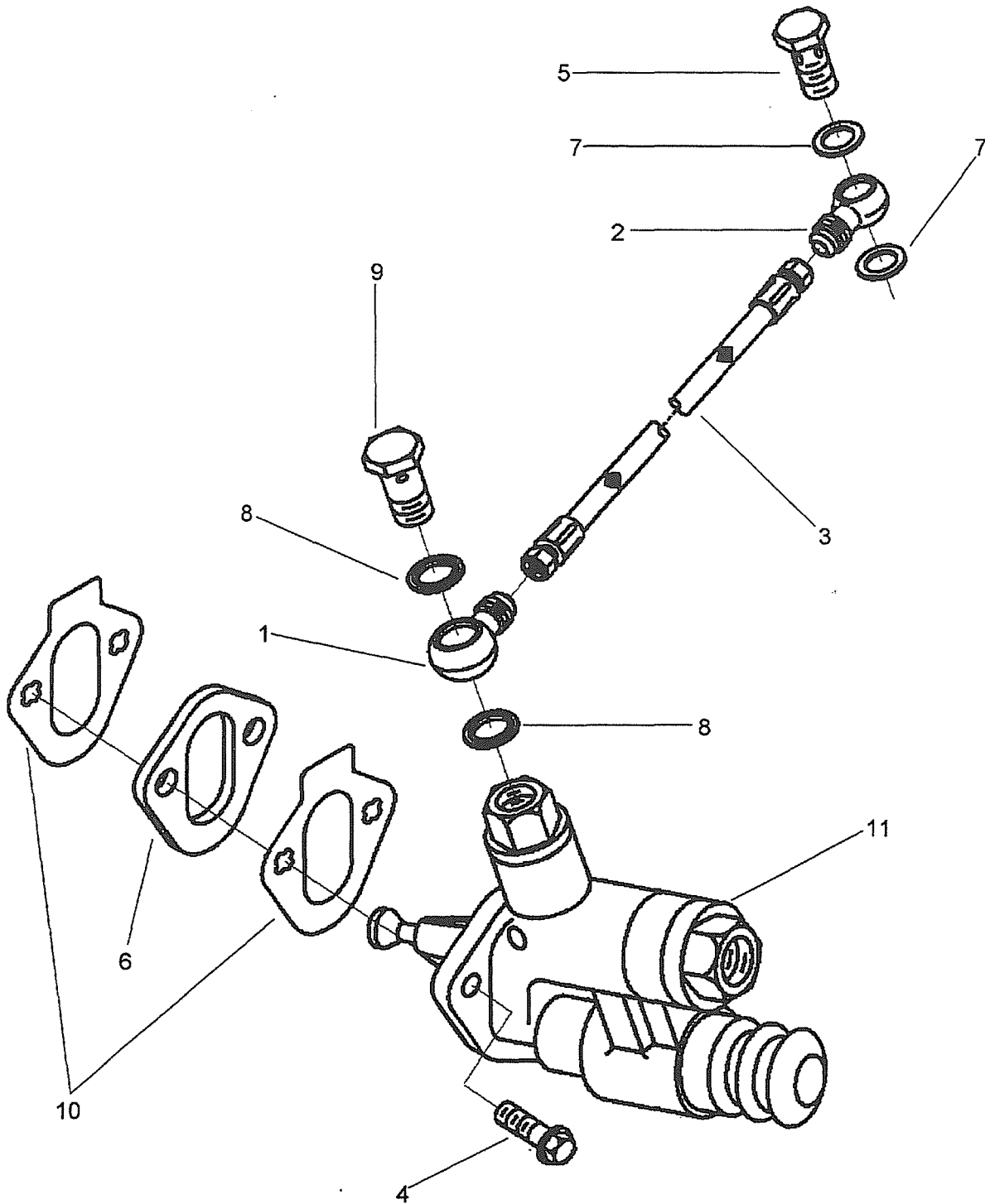
POWER

FUEL SHUTOFF VALVE

Item	Part Number	Description	Qty.	Ref.
1	6742-01-2660	NUT, MOUNTING (M6x1.00)	2	
2	6731-21-4120	BOLT, MOUNTING (M12x1.75x20)	2	
3	6732-21-4180	BOLT, MOUNTING (M6x1.00x16)	2	
4	6731-81-9110	BRACKET, SOLENOID	1	
5	6731-81-9120	SOLENOID, FUEL PUMP	1	

POWER

FUEL LIFT PUMP



E4BO0025

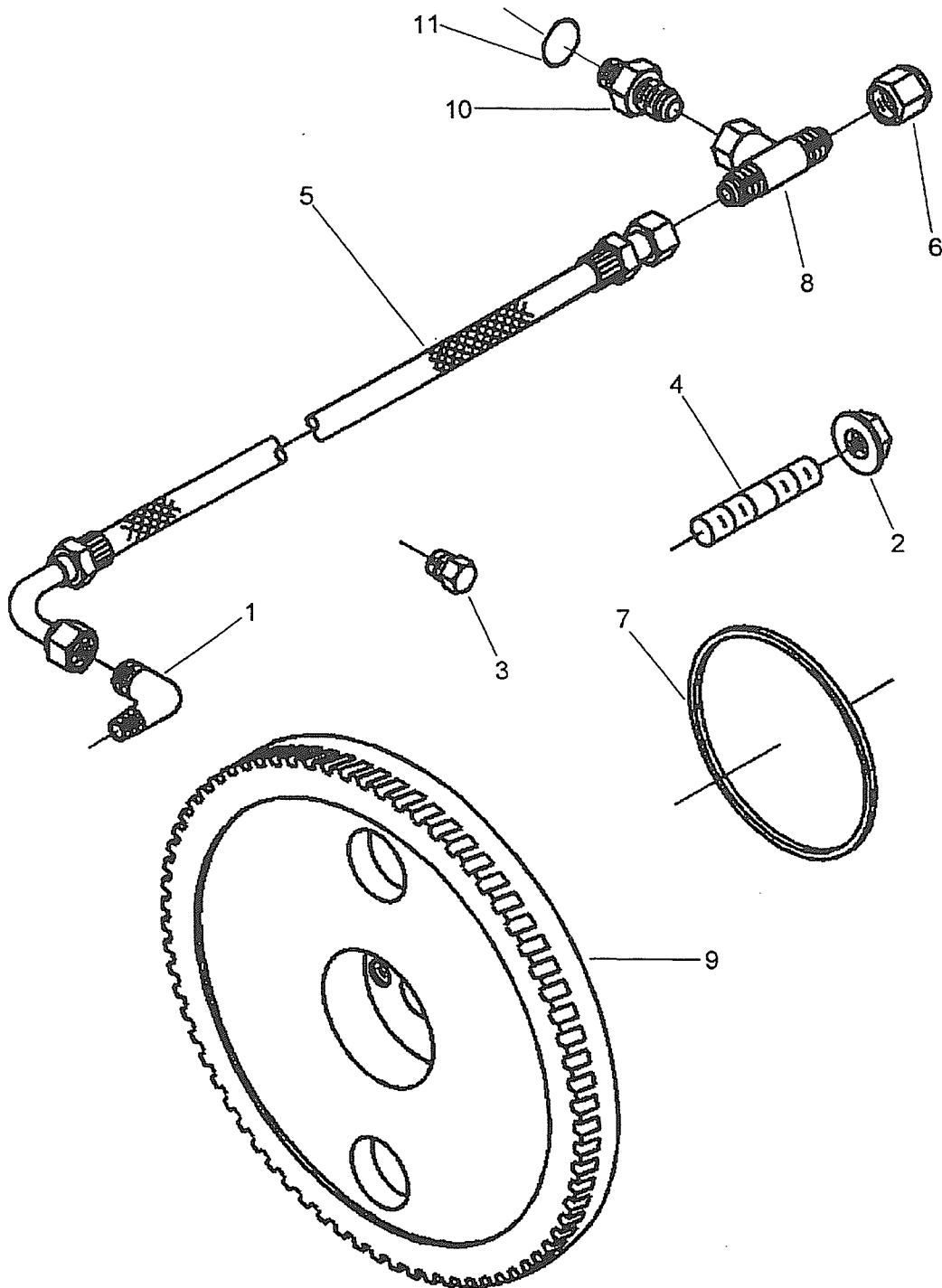
POWER

FUEL LIFT PUMP

Item	Part Number	Description	Qty.	Ref.
1	124-01-55140	CONNECTOR, BANJO	1	
2	6742-01-0640	CONNECTOR, BANJO	1	
3	6733-71-6220	HOSE, FUEL (LIFT PUMP TO FILTER)	1	
4	6732-21-5160	BOLT (M8x1.25x25)	2	
5	6732-71-6510	BOLT, BANJO CONNECTOR (M12x1.50x24)	1	
6	6732-71-6520	SPACER, MOUNTING	1	
7	6731-71-5870	WASHER, SEALING (12mm)	2	
8	6731-71-5880	WASHER, SEALING (14mm)	2	
9	6732-71-5620	BOLT, BANJO CONNECTOR (M14x1.50x26)	1	
10	6735-61-6410	GASKET, COVER PLATE	2	
11	6732-71-6590	PUMP, LIFT	1	

POWER

FUEL PUMP COUPLING



E4BR0040

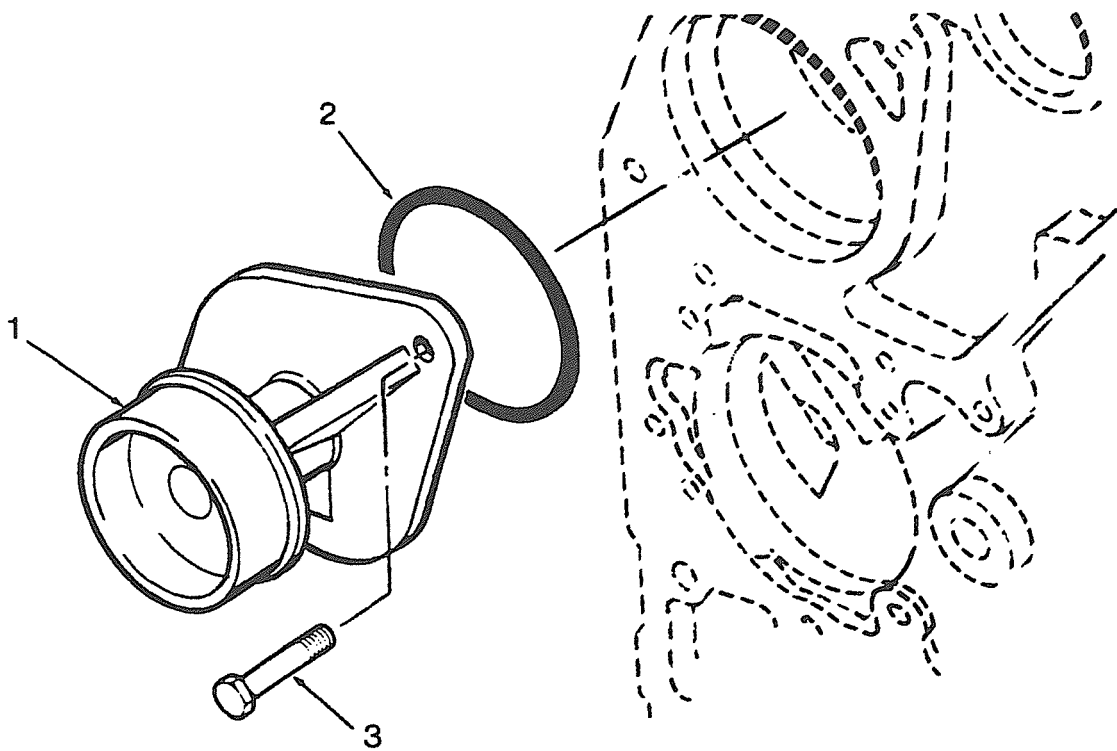
POWER

FUEL PUMP COUPLING

Item	Part Number	Description	Qty.	Ref.
1	6733-71-5510	ELBOW, MALE ADAPTER	1	
2	6736-81-6170	NUT (M10x1.50)	4	
3	6732-11-1930	PLUG, PIPE (1/8 NPT)	1	
4	6735-71-5220	STUD	4	
5	6733-71-5520	HOSE, FLEXIBLE	1	
6	6735-71-5240	CAP, TUBE	1	
7	6731-71-5550	SEAL, RECTANGUALR RING	1	
8	6734-71-5550	TEE, FEMALE BRANCH	1	
9	6731-71-3110	GEAR, FUEL PUMP	1	
	6731-71-5560	UNION, MALE	1	
10	NSS	.CONNECTOR, MALE	1	
11	6215-81-9710	SEAL, O-RING	1	

POWER

WATER PUMP



E5AC0003

POWER

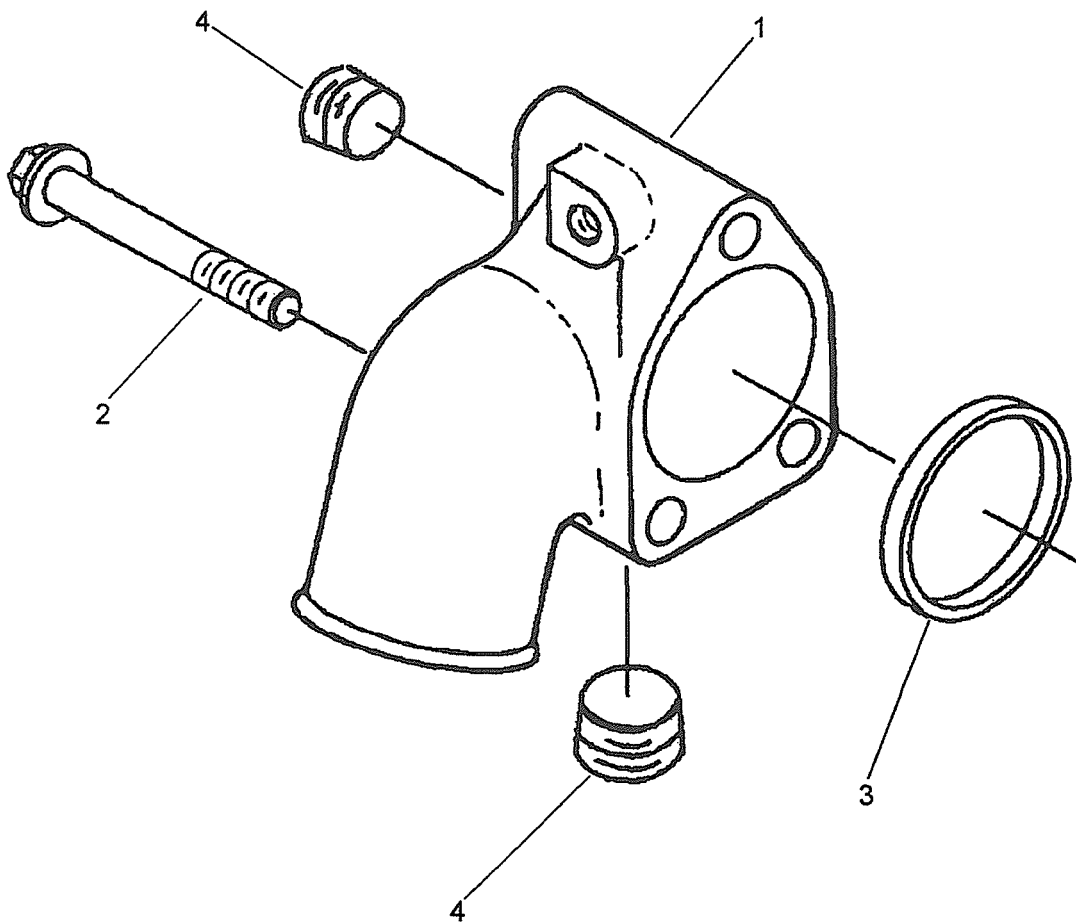
WATER PUMP

Item	Part Number	Description	Qty.	Ref.
	6736-61-1201	KIT, WATER PUMP	1	R1
1	NSS	.PUMP, WATER	1	
2	6736-61-1520	.O-RING	1	
3	6731-61-1370	BOLT (M8x1.25x22)	2	

R1 - REMANUFACTURED ASSEMBLY AVAILABLE; REFER TO REMANUFACTURED ASSEMBLIES CATALOG.

POWER

WATER INLET CONNECTION



E5AF0005

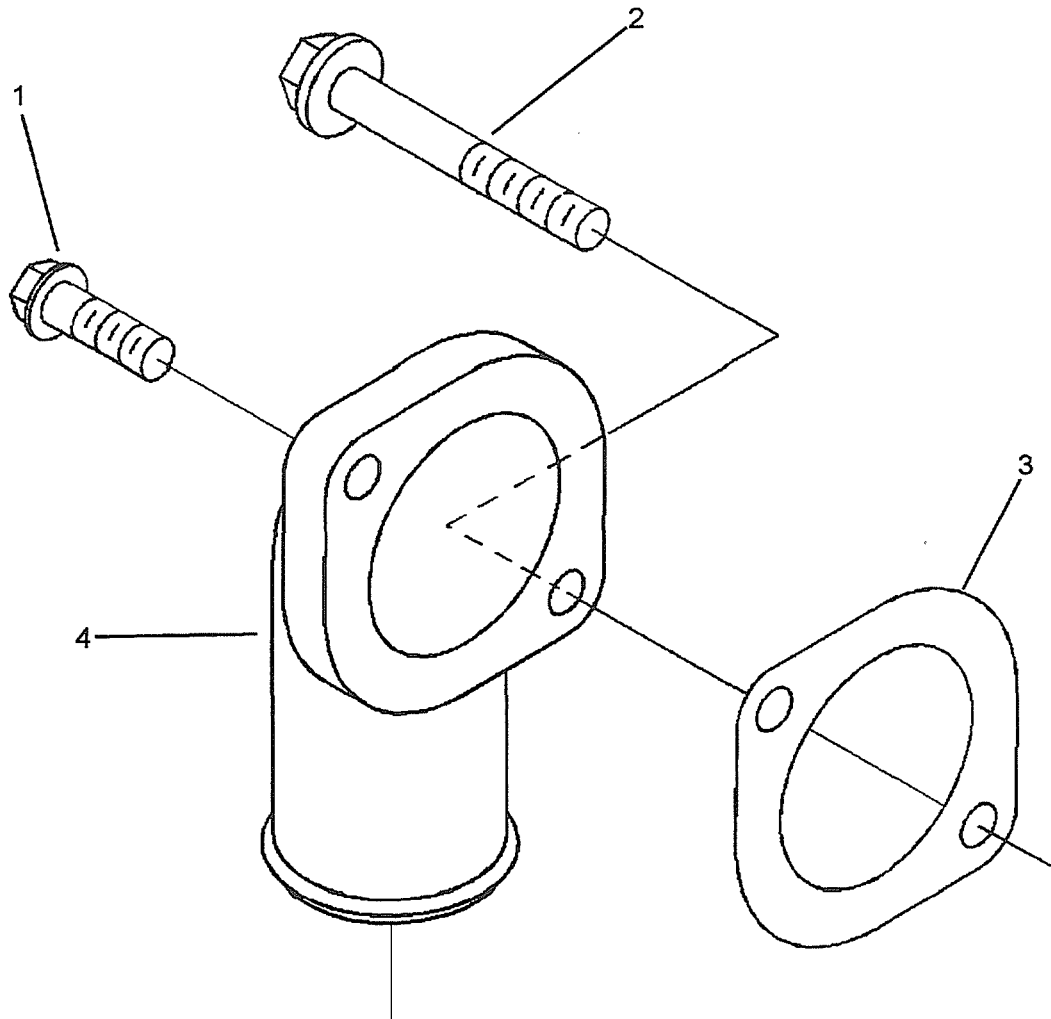
POWER

WATER INLET CONNECTION

Item	Part Number	Description	Qty.	Ref.
1	6732-61-6160	CONNECTION, WATER INLET	1	
2	6732-61-6120	BOLT (M10x1.50x75)	3	
3	6732-61-6130	SEAL, RECTANGULAR RING	1	
4	6732-11-1910	PLUG, PIPE (1/2 NPT)	2	

POWER

WATER OUTLET CONNECTION



E5AH0006

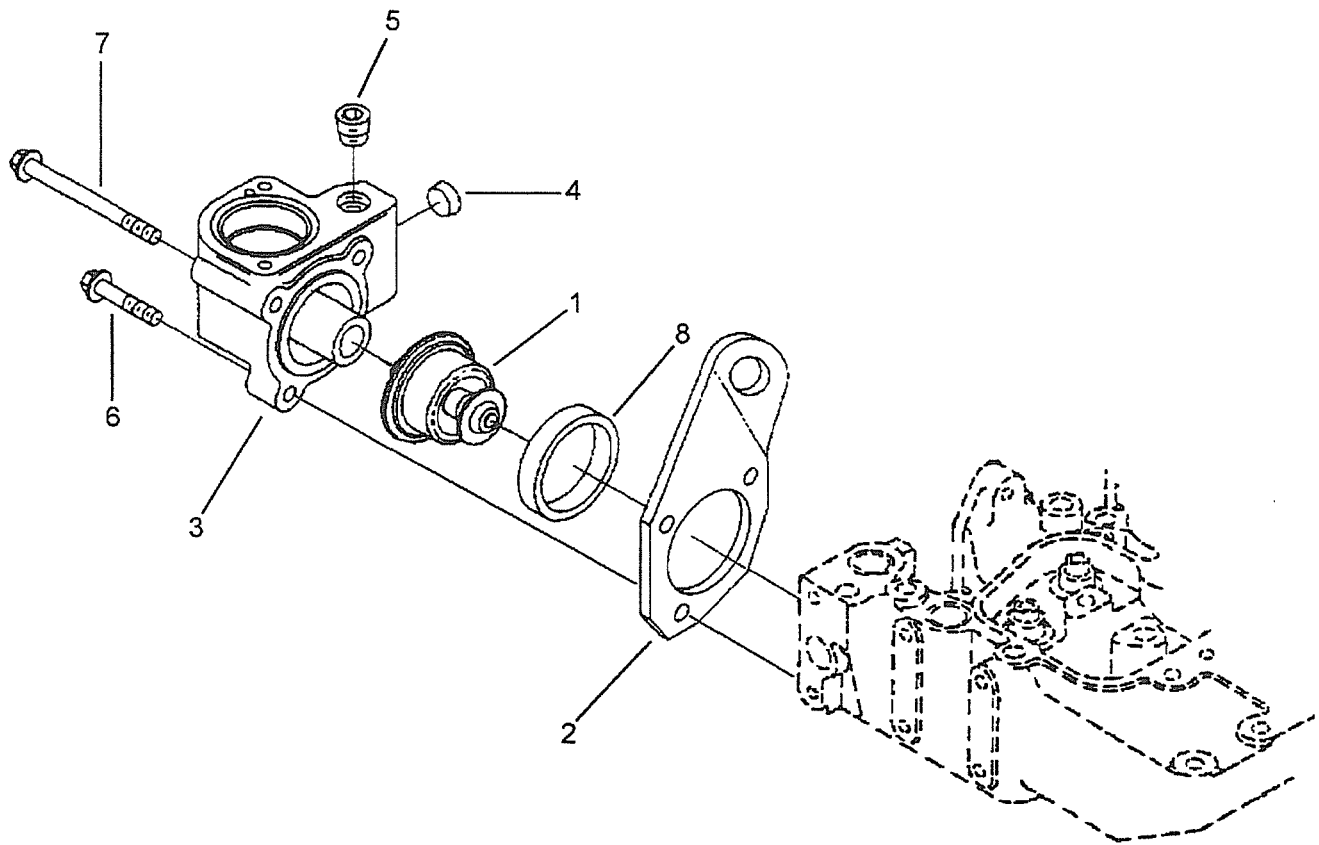
POWER

WATER OUTLET CONNECTION

Item	Part Number	Description	Qty.	Ref.
1	6732-21-5160	BOLT (M8x1.25x25)	1	
2	6736-21-3230	BOLT (M8x1.25x60)	1	
3	6735-11-6420	GASKET, CONNECTION	1	
4	6735-11-6430	CONNECTION, WATER OUTLET	1	

POWER

THERMOSTAT AND HOUSING



E5AI0038

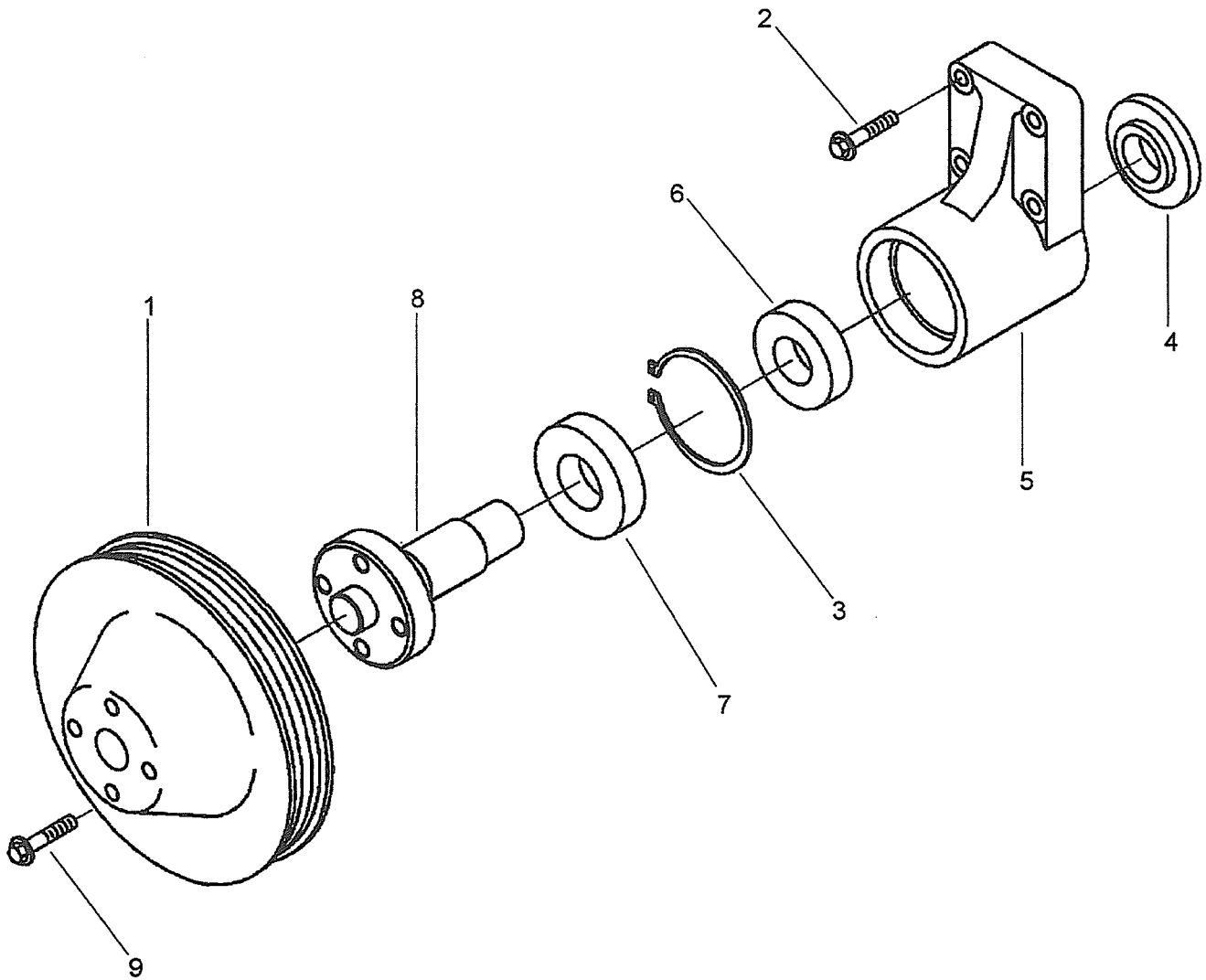
POWER

THERMOSTAT AND HOUSING

Item	Part Number	Description	Qty.	Ref.
	6735-61-1690	KIT, THERMOSTAT	1	
1	NSS	.THERMOSTAT	1	
	6732-61-6420	.GASKET, THERMOSTAT HOUSING	1	
2	6735-11-1910	BRACKET, LIFTING	1	
3	6735-61-6430	HOUSING, THERMOSTAT	1	
4	6732-11-1910	PLUG, PIPE (1/2 NPT)	1	
5	6732-21-1810	PLUG, EXPANSION (17.73 MM)	1	
6	6732-11-4170	BOLT, MOUNTING	2	
7	6732-61-3170	BOLT, MOUNTING	1	
8	6732-61-6130	SEAL, RING	1	

POWER

FAN DRIVE



E5AL0056

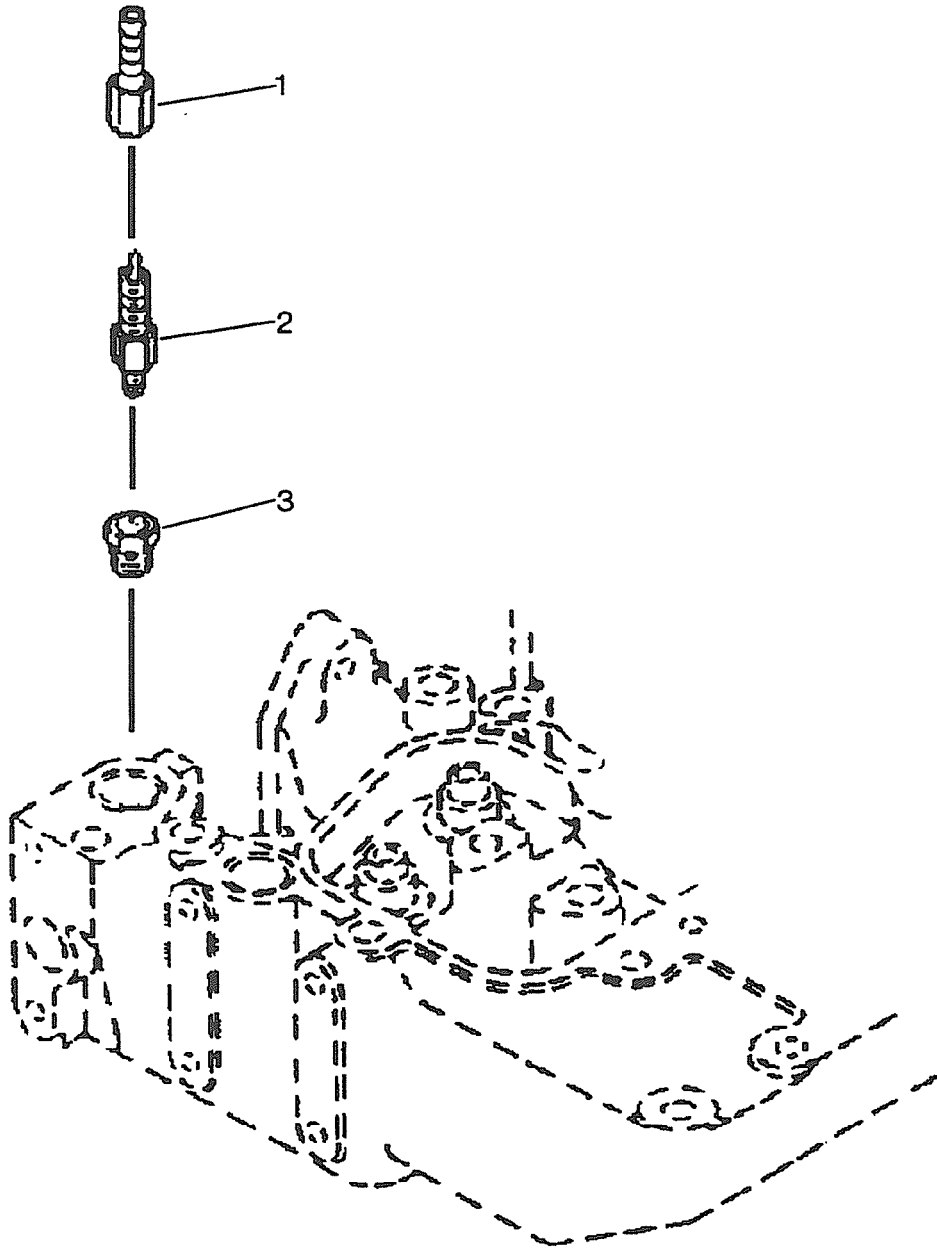
POWER

FAN DRIVE

Item	Part Number	Description	Qty.	Ref.
1	6732-61-3130	PULLEY, FAN	1	
2	6732-61-3170	BOLT, MOUNTING	4	
	6731-61-3410	SUPPORT, FAN	1	
3	6731-61-3420	.RING, RETAINING	1	
4	6731-61-3430	.RETAINER, FAN HUB	1	
5	NSS	.SUPPORT, FAN	1	
6	NSS	.BEARING, BALL	1	
7	NSS	.BEARING, BALL	1	
8	NSS	.HUB, FAN	1	
9	6732-61-3140	BOLT, MOUNTING (M10x1.50x20)	4	

POWER

ENGINE VENT CONNECTION



E5AR0005

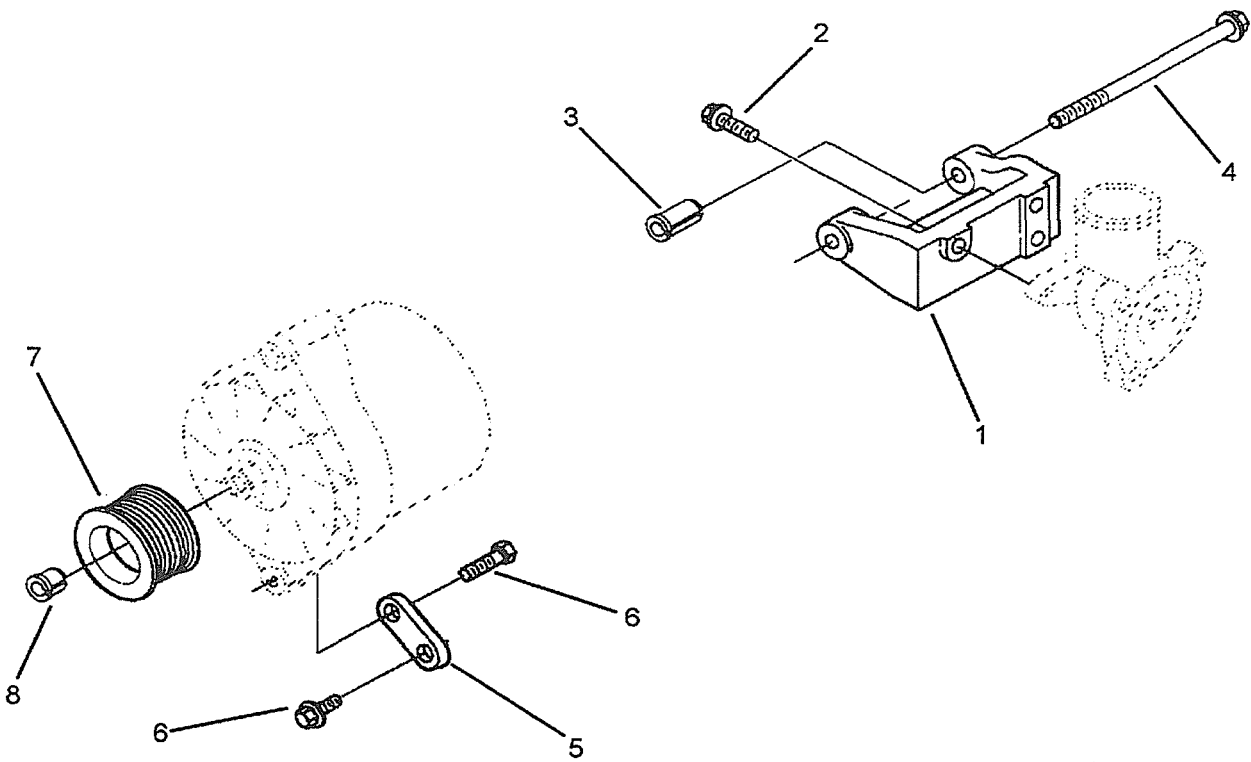
POWER

ENGINE VENT CONNECTION

Item	Part Number	Description	Qty.	Ref.
1	6735-61-5110	COUPLING, PLAIN HOSE	1	
2	6735-61-5120	VALVE, CHECK	1	
3	6736-61-5240	REDUCER, PIPE	1	

POWER

ALTERNATOR MOUNTING



E6AC0003

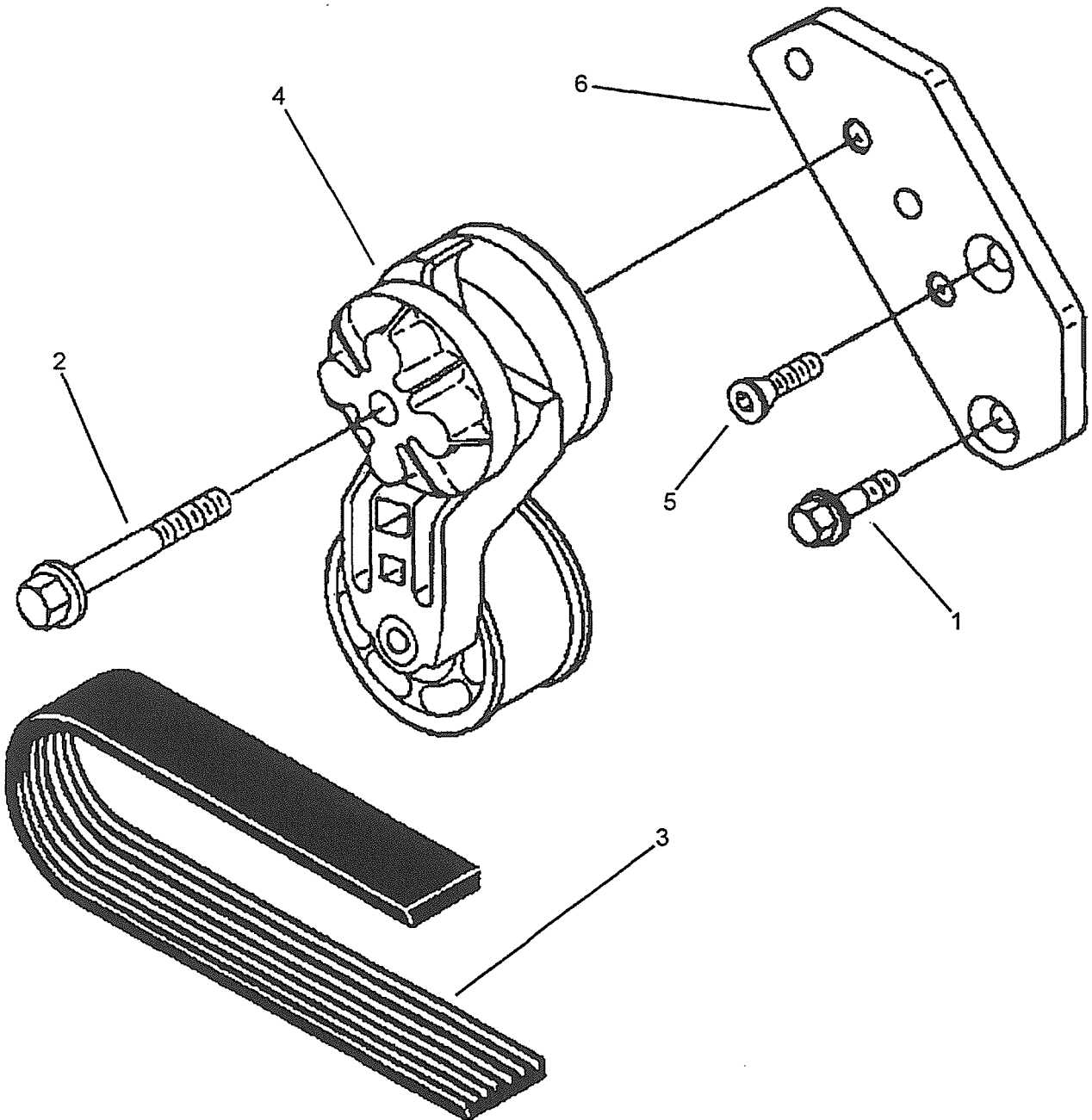
POWER

ALTERNATOR MOUNTING

Item	Part Number	Description	Qty.	Ref.
1	124-01-55480	SUPPORT, ALTERNATOR	1	
2	6732-21-5160	BOLT (M8x1.25x25)	3	
3	124-01-55450	SPACER, MOUNTING	1	
4	6734-21-8610	BOLT (M10x1.50x95)	1	
5	124-01-55360	BRACE, ALTERNATOR	1	
6	6732-71-3220	BOLT (M8x1.25x20)	2	
7	124-01-55430	PULLEY, ALTERNATOR (60mm DIA)	1	
8	124-01-55440	RETAINER, ALTERNATOR PULLEY	1	

POWER

ALTERNATOR BELT TENSIONER



E6AC0060

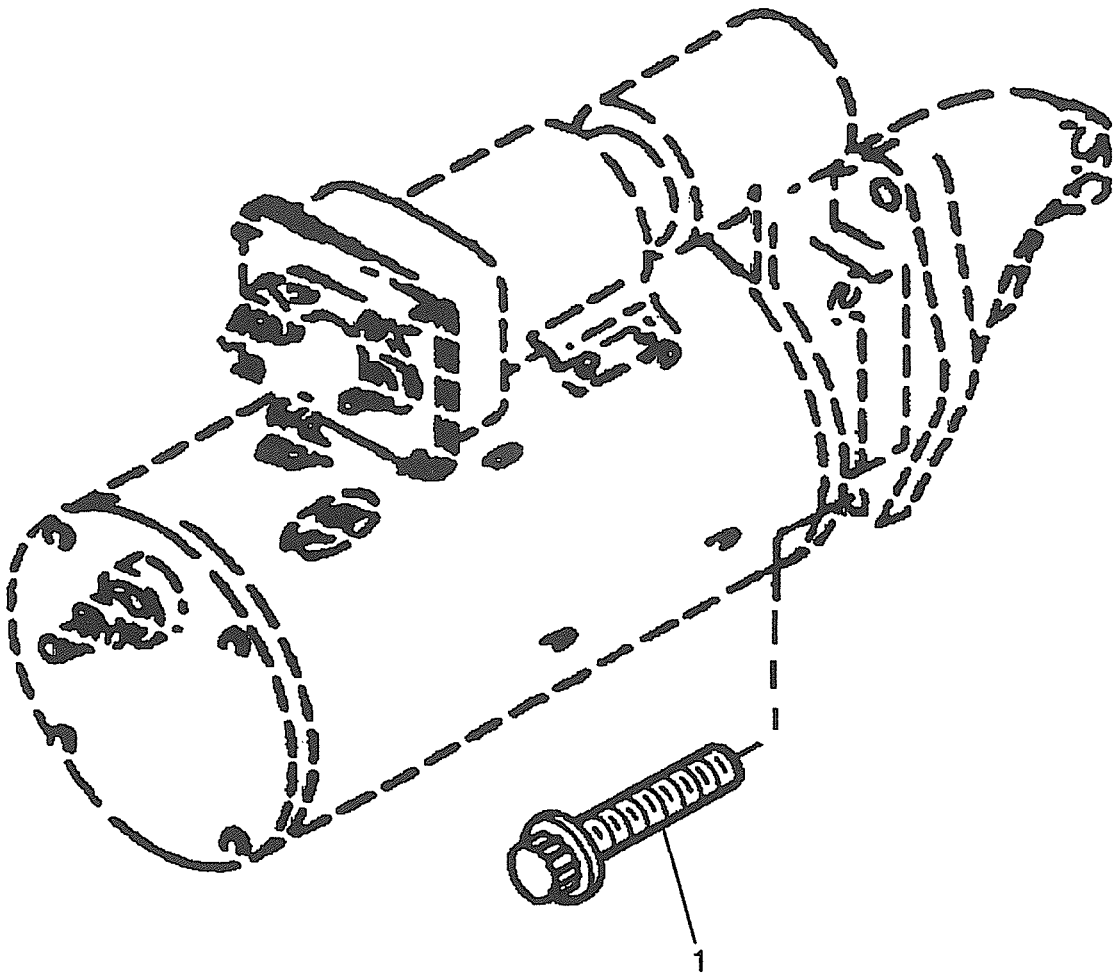
POWER

ALTERNATOR BELT TENSIONER

Item	Part Number	Description	Qty.	Ref.
1	6732-21-5160	BOLT, MOUNTING	1	
2	6732-61-4120	BOLT, MOUNTING (M10x1.50x70)	1	
3	6732-61-4460	BELT, ALTERNATOR	1	
4	6732-61-4110	TENSIONER, BELT	1	
5	6732-61-4220	BOLT	1	
6	6731-61-4160	BRACKET, BELT TENSIONER	1	

POWER

STARTER MOUNTING



E6AF0020

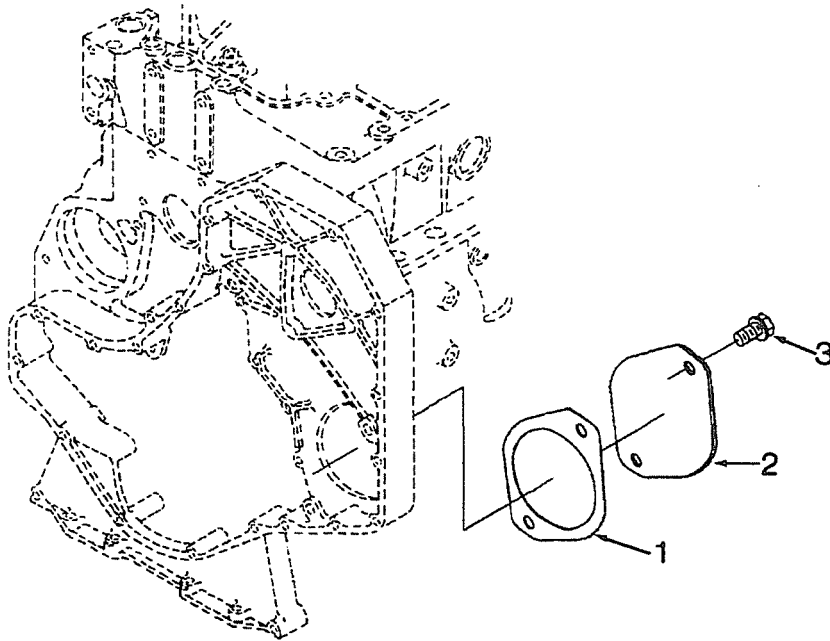
POWER

STARTER MOUNTING

Item	Part Number	Description	Qty.	Ref.
1	6736-81-4810	BOLT (M10x1.50x35)	3	

POWER

FRONT GEAR TRAIN ACCESSORY DRIVE COVER



E7AO0012

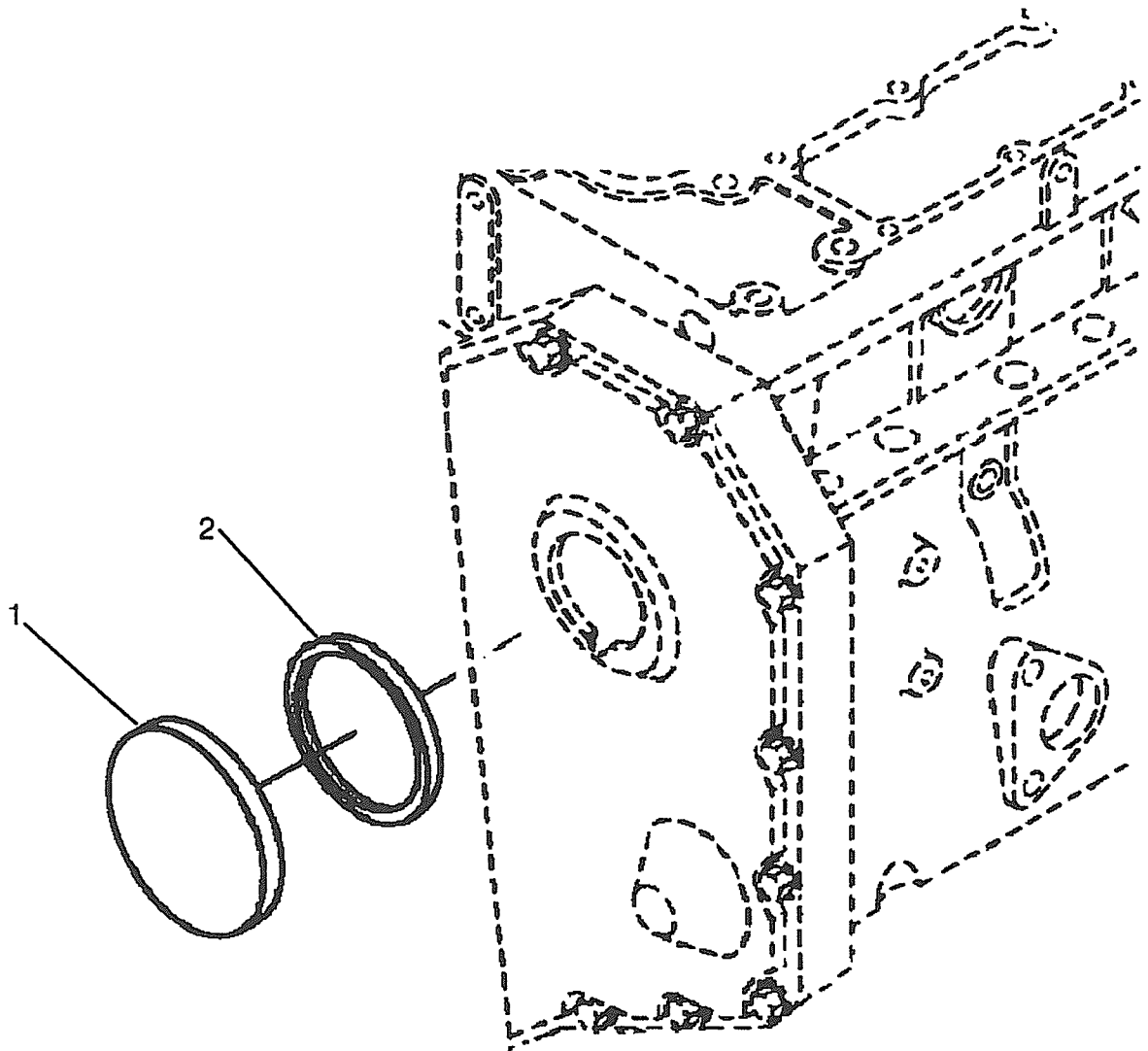
POWER

FRONT GEAR TRAIN ACCESSORY DRIVE COVER

Item	Part Number	Description	Qty.	Ref.
1	6732-21-3380	GASKET, ACCESSORY DRIVE COVER (FOR 6D102-1 ENGINE) OR	1	
1	6732-21-9321	GASKET, ACCESSORY DRIVE COVER (FOR 6D114-1 ENGINE)	1	
2	6732-21-9310	PLATE, ACCESSORY DRIVE COVER	1	
3	6732-51-5130	BOLT (M12x1.75x25)	2	

POWER

MECHANICAL TACH DRIVE COVER



E7ZZ0004

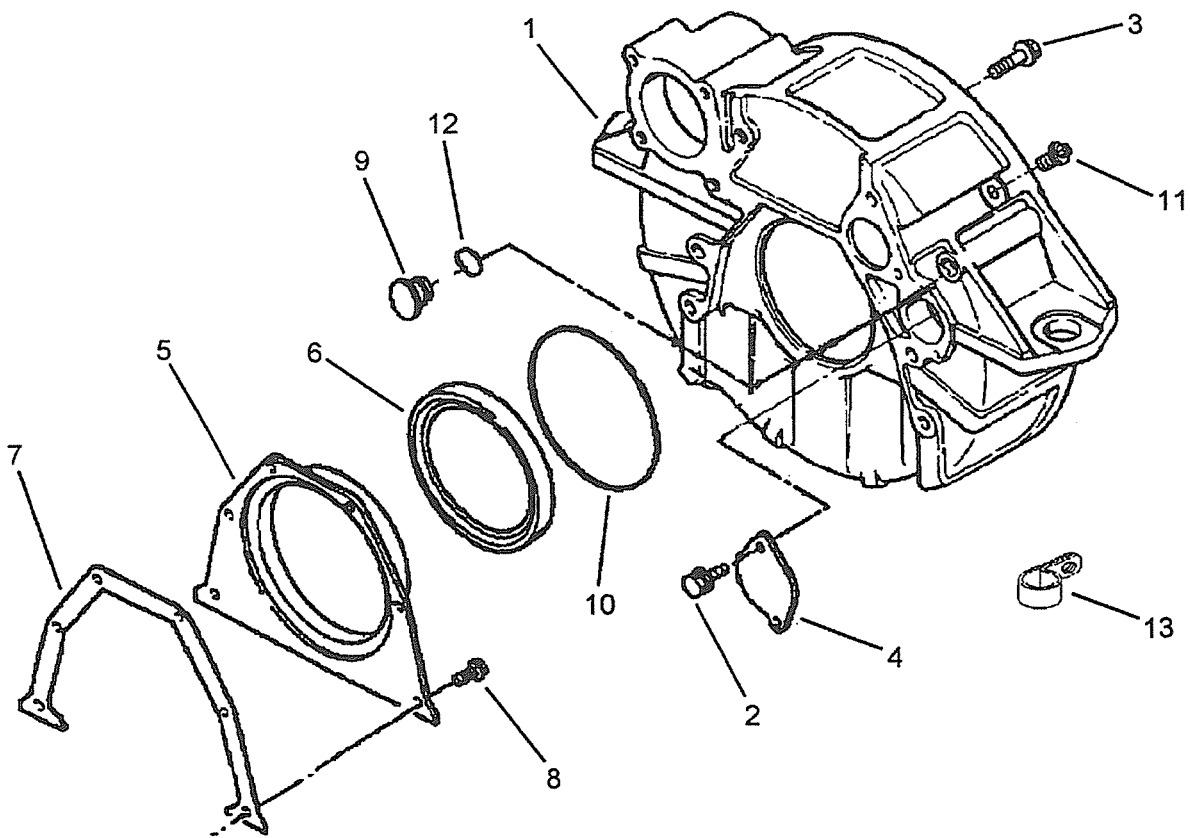
POWER

MECHANICAL TACH DRIVE COVER

Item	Part Number	Description	Qty.	Ref.
1	6732-21-3190	COVER, MECHANICAL TACH DRIVE	1	
2	6732-21-3220	SEAL, RECTANGULAR RING	1	

POWER

FLYWHEEL HOUSING



E8AF0053

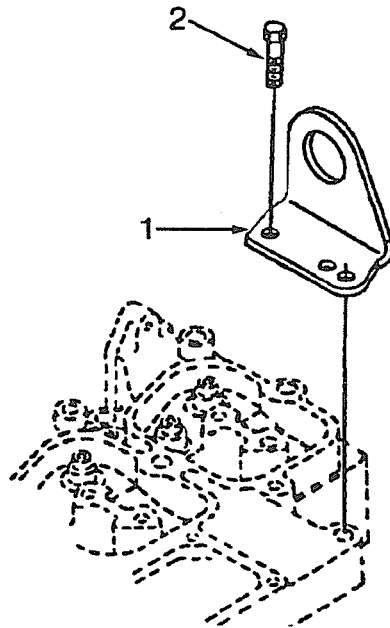
POWER

FLYWHEEL HOUSING

Item	Part Number	Description	Qty.	Ref.
1	6731-21-4180	HOUSING, FLYWHEEL	1	
2	6735-21-4120	BOLT (M8x1.25x15)	2	
3	6732-21-4220	BOLT, MOUNTING	8	
4	6732-21-4250	PLATE, COVER	1	
	6735-K2-3000	KIT, REAR CRANK SEAL	1	
5	6732-21-4210	.COVER, REAR	1	
6	NSS	.SEAL, OIL	1	
7	6735-21-4190	GASKET, REAR COVER	1	
8	6732-21-4180	BOLT (M6x1.00x16)	6	
9	6732-21-4150	PLUG, O-RING	1	
10	6732-21-4170	SEAL, RECTANGULAR RING	1	
11	6735-21-4220	PLUG, THREADED (3/4 - 16 UNF)	1	
12	6732-21-4160	SEAL, O-RING	1	
13	6735-21-4250	CLIP, HOSE	1	

POWER

LIFTING BRACKET



E8AI0005

POWER

LIFTING BRACKET

Item	Part Number	Description	Qty.	Ref.
1	6736-11-1910	BRACKET, LIFTING	1	
2	6732-11-1720	BOLT (M12x1.75x30)	2	

POWER

GASKET SETS

Item	Part Number	Description	Qty.	Ref.
	6731-11-9990	SET, UPPER ENGINE GASKET - STANDARD	1	
	6732-11-1151	.GASKET, CYLINDER HEAD	1	
	6736-11-3880	.SEAL, INJECTOR (FOR 9MM TIP)	4	
	6732-41-4530	.SEAL, VALVE STEM	8	
	6732-81-8830	.GASKET, TURBOCHARGER	1	
	6732-11-8620	.SEAL, RECTANGULAR RING	1	
	6732-21-5170	.WASHER, SEALING	1	
	6732-71-6230	.SEAL, BANJO CONNECTOR	4	
	6736-11-3430	.SEAL, INJECTOR	4	
	6736-71-6220	.SEAL, RECTANGULAR RING	1	
	6736-11-5620	.WASHER, SEALING	1	
	6736-11-8130	.SEAL, O-RING	4	
	6736-11-5590	.GASKET, EXHAUST CONNECTION	1	
	6731-71-5850	.WASHER, SEALING	2	
	6736-11-3410	.SLEEVE, INJECTOR	4	
	6732-41-4540	.SEAL, VALVE STEM	8	
	6736-11-3420	.SEAL, INJECTOR	4	
	6732-61-6420	.GASKET, THERMOSTAT HOUSING	1	
	6736-11-5810	.GASKET, EXHAUST MANIFOLD	4	
	6732-11-8210	.ISOLATOR, NOISE	4	
	6732-11-8181	.GASKET, VALVE COVER	4	
	6735-51-8120	.GASKET, OIL DRAIN	1	
	6733-11-4860	.GASKET, INTAKE MANIFOLD COVER	1	
	6732-01-1130	SET, UPPER ENGINE GASKET - 0.25MM OVERSIZE	1	
	6732-19-1151	.GASKET, CYLINDER HEAD	1	
	6736-11-3880	.SEAL, INJECTOR (FOR 9MM TIP)	4	
	6732-41-4530	.SEAL, VALVE STEM	8	
	6732-81-8830	.GASKET, TURBOCHARGER	1	
	6732-11-8620	.SEAL, RECTANGULAR RING	1	
	6732-21-5170	.WASHER, SEALING	1	
	6732-71-6230	.SEAL, BANJO CONNECTOR	4	
	6736-11-3430	.SEAL, INJECTOR	4	
	6736-71-6220	.SEAL, RECTANGULAR RING	1	

POWER

GASKET SETS

Item	Part Number	Description	Qty.	Ref.
	6736-11-5620	.WASHER, SEALING	1	
	6736-11-8130	.SEAL, O-RING	4	
	6736-11-5590	.GASKET, EXHAUST CONNECTION	1	
	6731-71-5850	.WASHER, SEALING	2	
	6736-11-3410	.SLEEVE, INJECTOR	4	
	6732-41-4540	.SEAL, VALVE STEM	8	
	6736-11-3420	.SEAL, INJECTOR	4	
	6732-61-6420	.GASKET, THERMOSTAT HOUSING	1	
	6736-11-5810	.GASKET, EXHAUST MANIFOLD	4	
	6732-11-8210	.ISOLATOR, NOISE	4	
	6732-11-8181	.GASKET, VALVE COVER	4	
	6735-51-8120	.GASKET, OIL DRAIN	1	
	6733-11-4860	.GASKET, INTAKE MANIFOLD COVER	1	
	6732-01-1110	SET, UPPER ENGINE GASKET - 0.50MM OVERSIZE	1	
	6732-18-1151	.GASKET, CYLINDER HEAD	1	
	6736-11-3880	.SEAL, INJECTOR (FOR 9MM TIP)	4	
	6732-41-4530	.SEAL, VALVE STEM	8	
	6732-81-8830	.GASKET, TURBOCHARGER	1	
	6732-11-8620	.SEAL, RECTANGULAR RING	1	
	6732-21-5170	.WASHER, SEALING	1	
	6732-71-6230	.SEAL, BANJO CONNECTOR	4	
	6736-11-3430	.SEAL, INJECTOR	1	
	6736-71-6220	.SEAL, RECTANGULAR RING	1	
	6736-11-5620	.WASHER, SEALING	1	
	6736-11-8130	.SEAL, O-RING	4	
	6736-11-5590	.GASKET, EXHAUST CONNECTION	1	
	6731-71-5850	.WASHER, SEALING	2	
	6736-11-3410	.SLEEVE, INJECTOR	4	
	6732-41-4540	.SEAL, VALVE STEM	8	
	6736-11-3420	.SEAL, INJECTOR	4	
	6732-61-6420	.GASKET, THERMOSTAT HOUSING	1	
	6736-11-5810	.GASKET, EXHAUST MANIFOLD	4	
	6732-11-8210	.ISOLATOR, NOISE	4	

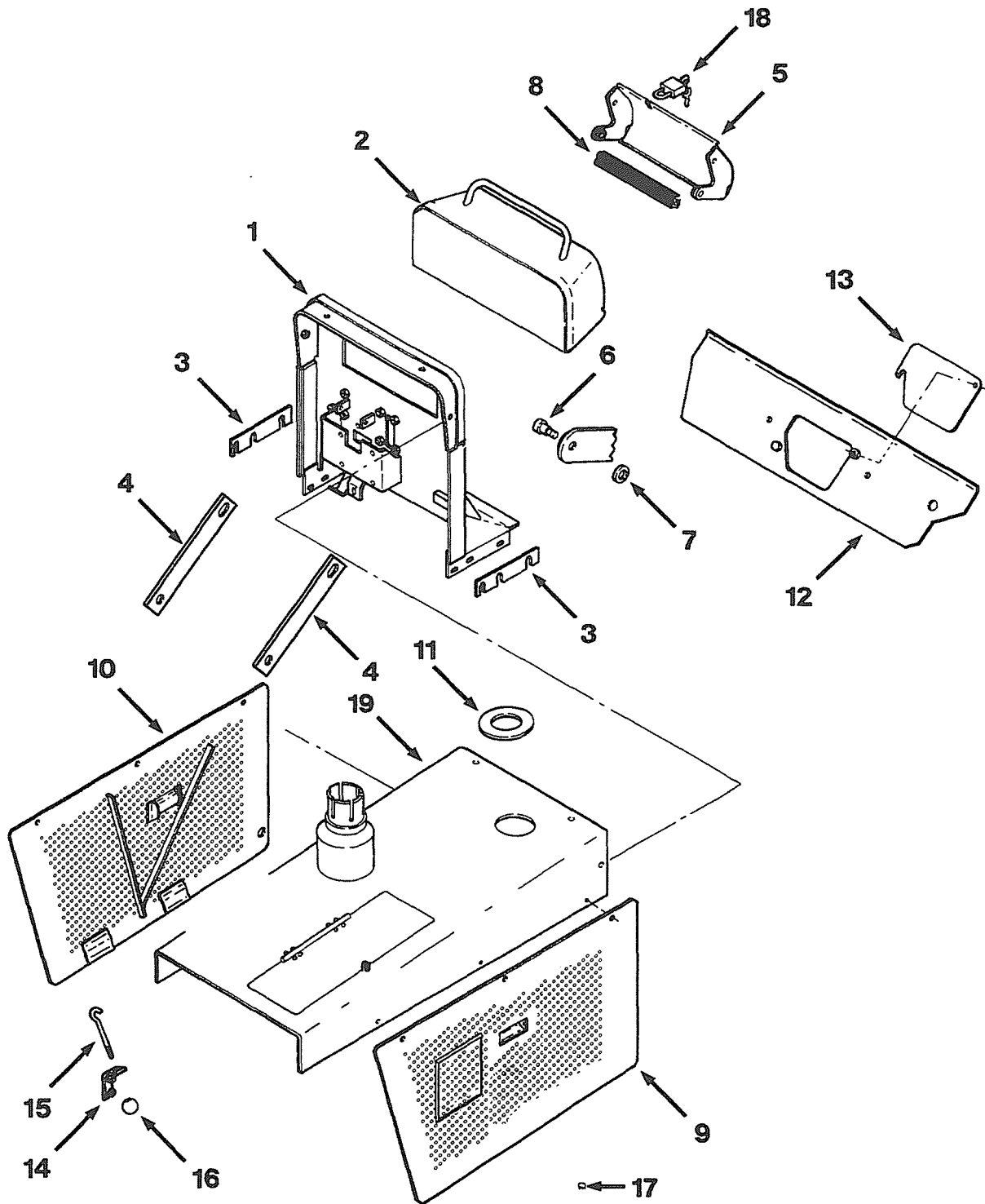
POWER

GASKET SETS

Item	Part Number	Description	Qty.	Ref.
	6732-11-8181	.GASKET, VALVE COVER	4	
	6735-51-8120	.GASKET, OIL DRAIN	1	
	6733-11-4860	.GASKET, INTAKE MANIFOLD COVER	1	
	6732-01-1140	SET, LOWER ENGINE GASKET	1	
	6732-21-3610	.GASKET, HYDRAULIC PUMP	1	
	6732-81-9130	.GASKET, HYDRAULIC PUMP	1	
	6732-21-6261	.GASKET, PUSH ROD COVER	1	
	6736-21-1840	.NOZZLE, PISTON COOLING	4	
	6732-21-5170	.WASHER, SEALING	2	
	6732-21-3220	.SEAL, RECTANGULAR RING	1	
	6731-21-4220	.KIT, FRONT SEAL SERVICE	1	
	6736-21-3350	.GASKET, TIMING PIN HOUSING	1	
	6736-21-3360	.SEAL, RECTANGULAR RING	1	
	6732-61-6130	.SEAL, RECTANGULAR RING	1	
	6736-61-1520	.SEAL, RECTANGULAR RING	1	
	6732-21-4140	.GASKET, COVER PLATE	1	
	6735-K2-3000	.KIT, REAR CRANK SEAL SERVICE	1	
	6732-21-4170	.SEAL, RECTANGULAR RING	1	
	6732-21-3870	.SEAL, O-RING	1	
	6732-21-3170	.GASKET, GEAR COVER	1	
	6732-21-3880	.SEAL, RECTANGULAR RING	1	
	6736-21-7120	.SEAL, RECTANGULAR RING	1	
	6736-51-9120	.GASKET, HYDRAULIC PUMP	1	
	6732-21-5190	.WASHER, SEALING	1	
	6735-21-4190	.GASKET, REAR COVER	1	
	6732-21-6280	.SEAL, GROMMET	6	
	6732-51-4430	.GASKET, FILTER HEAD	1	
	6732-21-1191	.NOZZLE, PISTON COOLING	4	
	6735-61-6410	.GASKET, COVER PLATE	1	
	6733-21-5520	.GASKET, FLANGE	1	
	6732-21-3811	.GASKET, GEAR HOUSING	1	
	6732-21-5261	.GASKET, OIL PAN	1	
	6732-71-3241	.GASKET, FUEL PUMP	1	
	6732-61-2311	.GASKET, OIL COOLER	1	
	6732-51-4431	.GASKET, FILTER HEAD	1	

SUPERSTRUCTURE

HOOD, PANELS, SUPPORTS AND DASH WITH ROPS CANOPY



C13AH048

SUPERSTRUCTURE

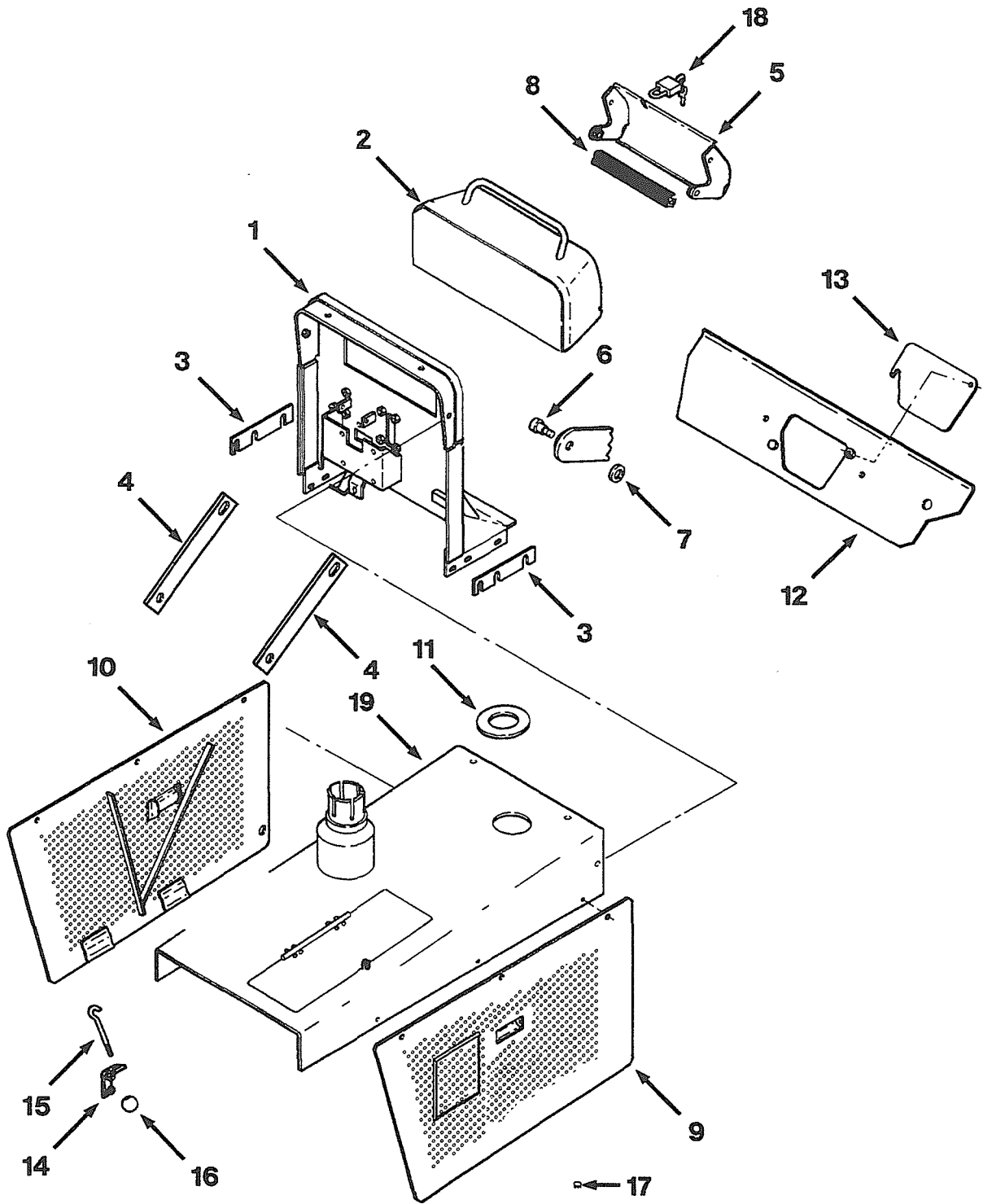
HOOD, PANELS, SUPPORTS AND DASH WITH ROPS CANOPY

Item	Part Number	Description	Qty.	Ref.
	1309 801 H91	HOOD, PANELS, SUPPORTS AND DASH	1	F1
1	1299 604 H91	.DASHBOARD	1	
	24 861 R1	.BOLT, HEX - 1/2NCx1-1/4	6	
	25 546 R1	.WASHER, FLAT - 1/2	6	
2	1300 484 H91	.COWL, DASH	1	
	24 840 R1	.BOLT, HEX - 3/8NCx1	6	
	25 534 R1	.WASHER, FLAT - 3/8	6	
3	1286 760 H2	.SHIM, MOUNTING	AR	
4	1308 145 H1	.BRACE, DASHBOARD	2	
	24 860 R1	.BOLT, HEX - 1/2NCx1	4	
	25 546 R1	.WASHER, FLAT - 1/2	4	
5	1269 067 H91	.GUARD, INSTRUMENT PANEL	1	
6	1269 052 H1	.BOLT, SHOULDER	2	
7	1278 359 H1	.WASHER, SPACER	2	
8		.SEAL, ABSORBER - 12 IN LONG	1	F2
9	1309 789 H91	.DOOR, LEFT SIDE	1	
	26 309 R1	.BOLT, HEX - 3/8NCx3/4	3	
	25 553 R1	.WASHER, FLAT - 3/8	3	
10	1309 791 H91	.DOOR, RIGHT SIDE	1	
	26 309 R1	.BOLT, HEX - 3/8NCx3/4	3	
	25 553 R1	.WASHER, FLAT - 3/8	3	
11	679 070 C1	.INSULATOR, AIR STACK	1	
12	1277 041 H91	.COVER, REAR	1	
	24 860 R1	.BOLT, HEX - 1/2NCx1	2	
	25 546 R1	.WASHER, FLAT - 1/2	2	
13	1277 043 H1	.COVER, ACCESS	1	
	24 839 R1	.BOLT, HEX - 3/8NCx3/4	1	
	25 534 R1	.WASHER, FLAT - 3/8	1	
	126 032	.NUT, WING - 3/8NC	1	
14	1281 995 H92	.BRACKET, HOOD TIE DOWN	2	
	25 483 R1	.BOLT, HEX - 1/4NCx1	4	
	25 542 R1	.WASHER, FLAT - 1/4	4	
15	1281 994 H1	.ROD, TIE DOWN	2	
	25 543 R1	.WASHER, FLAT - 5/16	4	
	9413 952	.NUT, LOCK - 5/16NC	2	
16	617 867 C1	.BALL, COMPRESSION	2	

CONTINUED ON NEXT PAGE

SUPERSTRUCTURE

HOOD, PANELS, SUPPORTS AND DASH WITH ROPS CANOPY



C13AH048

SUPERSTRUCTURE

HOOD, PANELS, SUPPORTS AND DASH WITH ROPS CANOPY

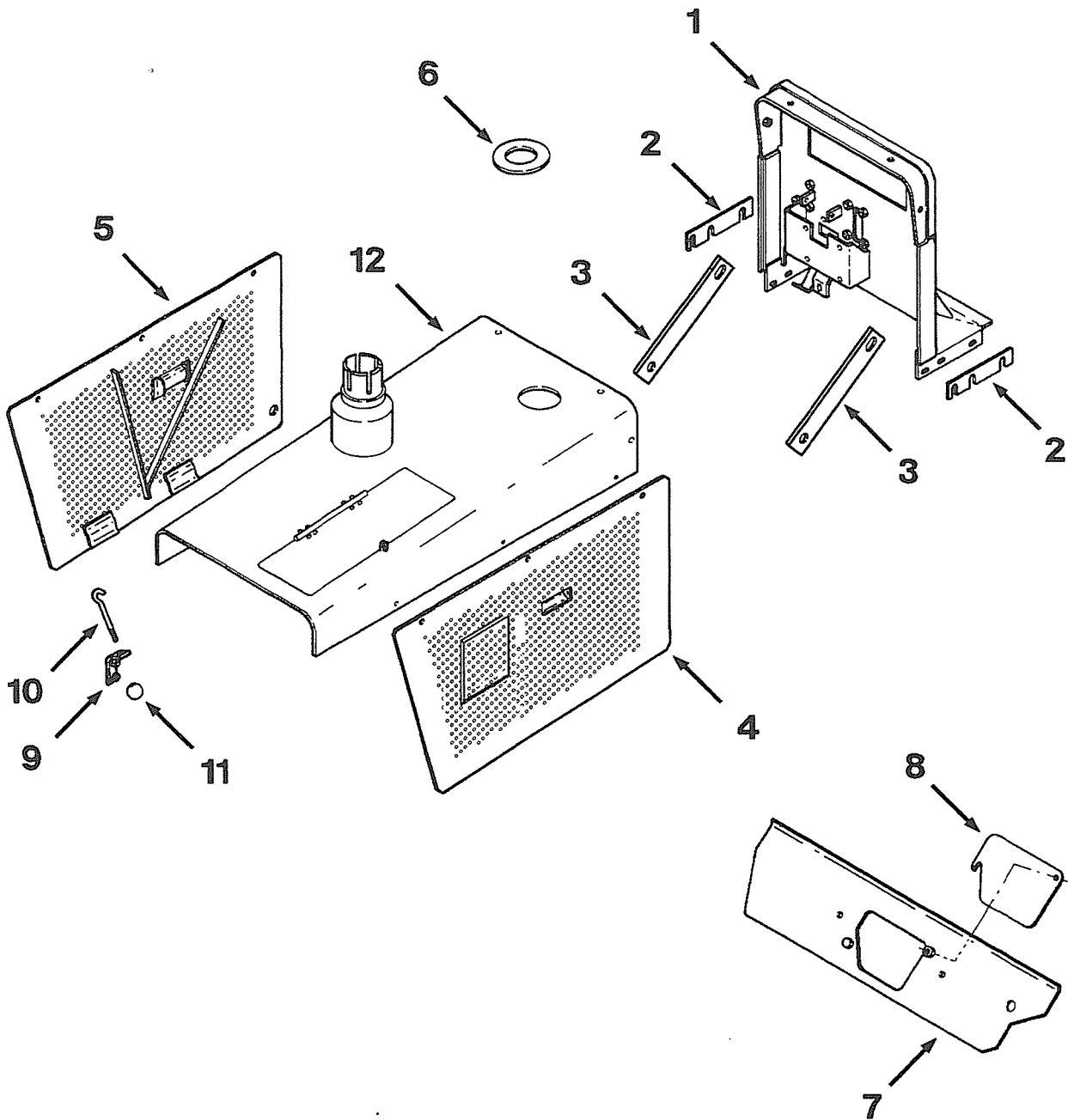
Item	Part Number	Description	Qty.	Ref.
17	27 951 R1	.PLUG, FRONT LIGHT BUTTON	4	
18	650 382 C92	PADLOCK WITH KEYS	1	
19		HOOD, SOLID (SEE PG 13-008)	1	
	26 317 R1	BOLT, HEX - 1/2NCx1-1/4	4	
	25 555 R1	WASHER, FLAT - 1/2	4	
19		HOOD, PERFORATED (SEE PG 13-010)	1	
	26 317 R1	BOLT, HEX - 1/2NCx1-1/4	4	
	25 555 R1	WASHER, FLAT - 1/2	4	
	1136 356 C1	SEAL, BULK	AR	

F1 - PART NUMBER IS A NON-SERVICE PART AND IS LISTED FOR REFERENCE ONLY.
ORDER INDIVIDUAL PIECE PARTS.

F2 - CUT REQUIRED LENGTH FROM BULK SEAL 1136 356 C1.

SUPERSTRUCTURE

HOOD, PANELS, SUPPORTS AND DASH
WITH ROPS CAB



C13AH049

SUPERSTRUCTURE

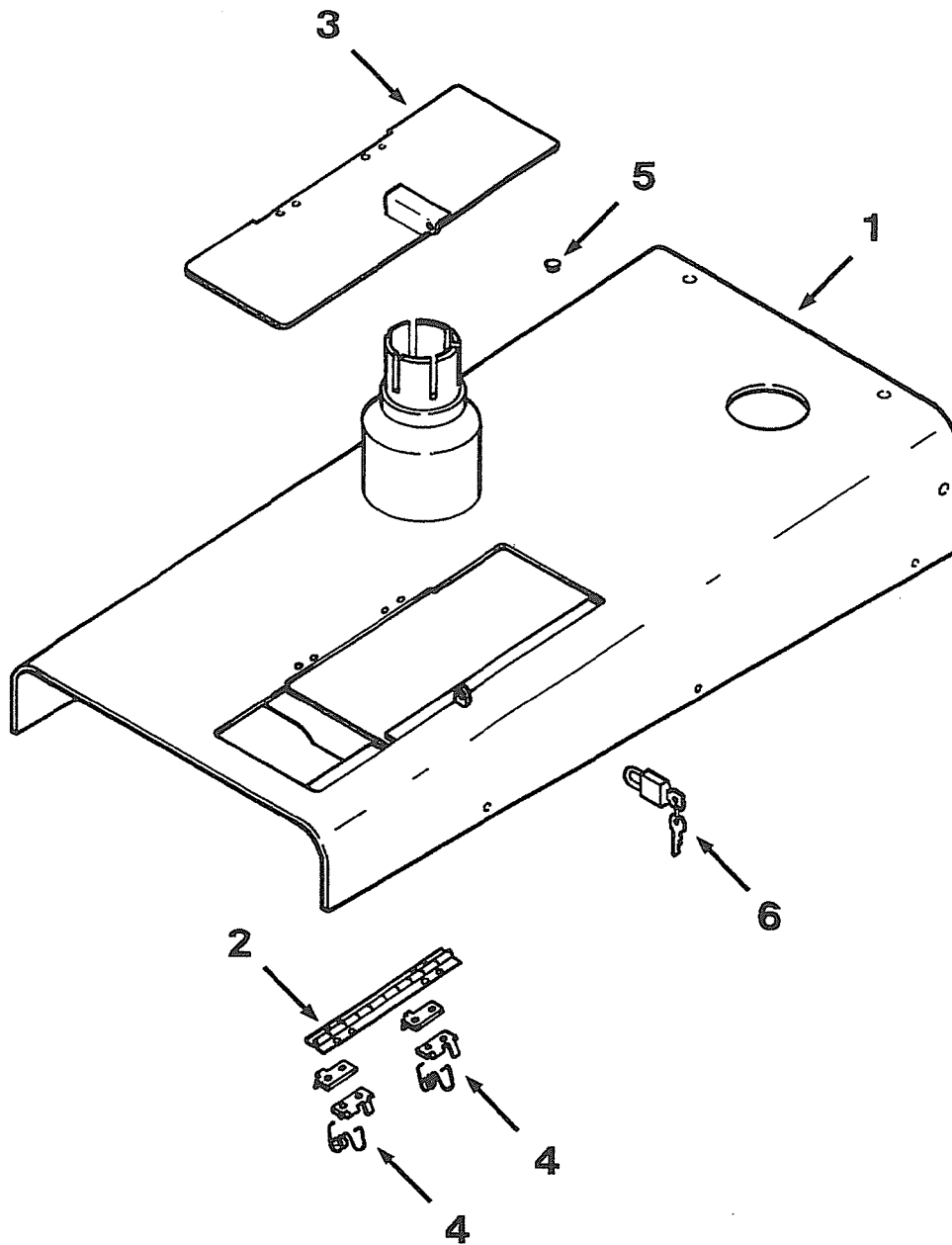
HOOD, PANELS, SUPPORTS AND DASH WITH ROPS CAB

Item	Part Number	Description	Qty. Ref.
1	1299 604 H91	DASHBOARD	1
	24 861 R1	BOLT, HEX - 1/2NCx1-1/4	6
	25 546 R1	WASHER, FLAT - 1/2	6
2	1286 760 H2	SHIM, MOUNTING	AR
3	1308 145 H1	BRACE, DASHBOARD	2
	24 860 R1	BOLT, HEX - 1/2NCx1	4
	25 546 R1	WASHER, FLAT - 1/2	4
4	1309 789 H91	DOOR, LEFT SIDE	1
	26 309 R1	BOLT, HEX - 3/8NCx3/4	3
	25 553 R1	WASHER, FLAT - 3/8	3
5	1309 791 H91	DOOR, RIGHT SIDE	1
	26 309 R1	BOLT, HEX - 3/8NCx3/4	3
	25 553 R1	WASHER, FLAT - 3/8	3
6	679 070 C1	INSULATOR, AIR STACK	1
7	1277 041 H91	COVER, REAR	1
	24 860 R1	BOLT, HEX - 1/2NCx1	2
	25 546 R1	WASHER, FLAT - 1/2	2
8	1277 043 H1	COVER, ACCESS	1
	24 839 R1	BOLT, HEX - 3/8NCx3/4	1
	25 534 R1	WASHER, FLAT - 3/8	1
	126 032	NUT, WING - 3/8NC	1
9	1281 995 H92	BRACKET, HOOD TIE DOWN	2
	25 483 R1	BOLT, HEX - 1/4NCx1	4
	25 542 R1	WASHER, FLAT - 1/4	4
10	1281 994 H1	ROD, TIE DOWN	2
	25 543 R1	WASHER, FLAT - 5/16	4
	9413 952	NUT, LOCK - 5/16NC	2
11	617 867 C1	BALL, COMPRESSION	2
12		HOOD, SOLID (SEE PG 13-008)	1
	26 317 R1	BOLT, HEX - 1/2NCx1-1/4	4
	25 555 R1	WASHER, FLAT - 1/2	4
12		HOOD, PERFORATED (SEE PG 13-010)	1
	26 317 R1	BOLT, HEX - 1/2NCx1-1/4	4
	25 555 R1	WASHER, FLAT - 1/2	4

F1 - PART NUMBER IS A NON-SERVICE PART AND IS LISTED FOR REFERENCE ONLY.
ORDER INDIVIDUAL PIECE PARTS.

SUPERSTRUCTURE

SOLID HOOD



C13AH012

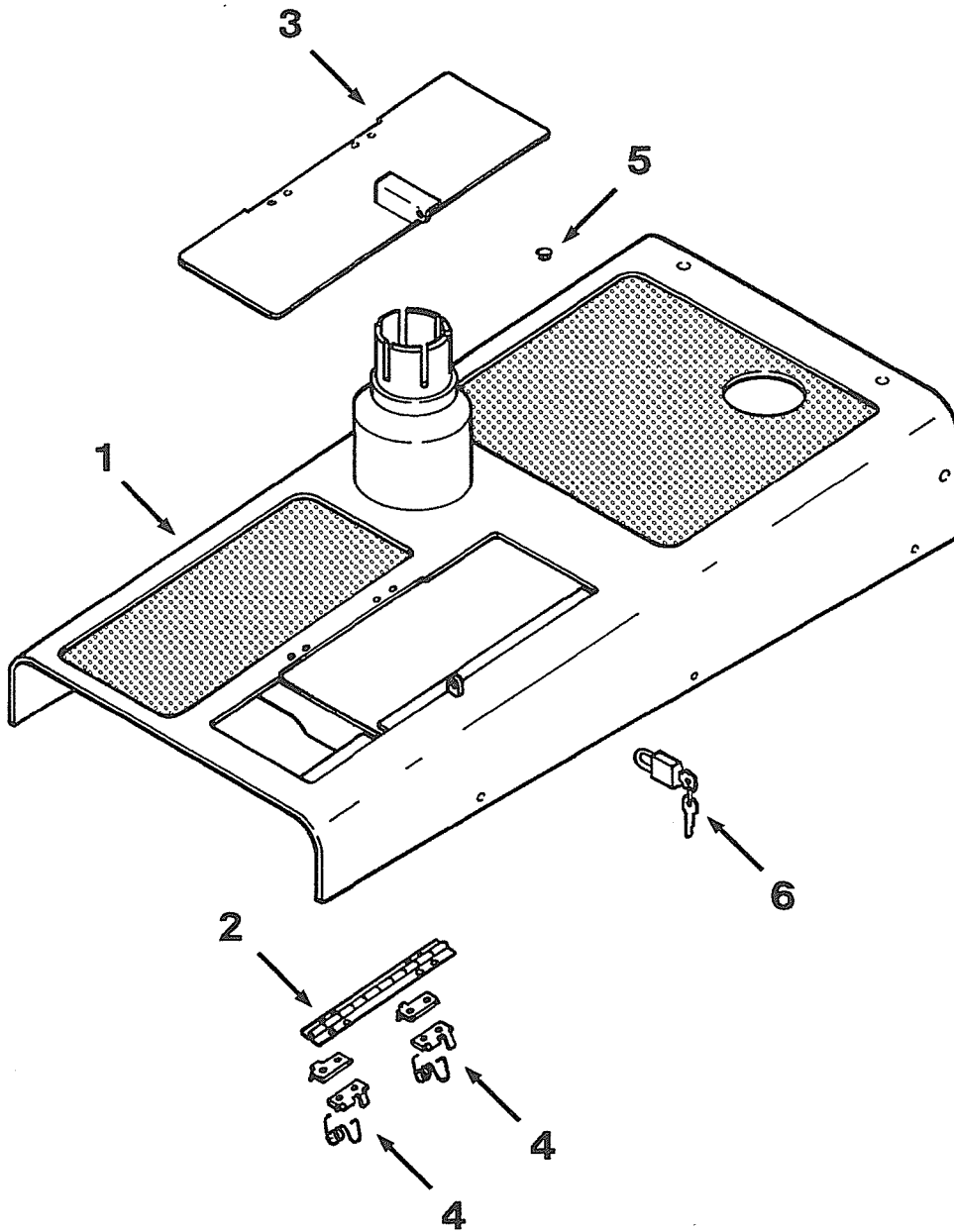
SUPERSTRUCTURE

SOLID HOOD

Item	Part Number	Description	Qty.	Ref.
	1309 793 H91	HOOD ASSY, SOLID	1	
1	1309 794 H91	.HOOD, SOLID	1	
2	1101 601 C2	.HINGE, DOOR	1	
	104 068	.RIVET - 3/6x5/8	4	
3	1259 182 H91	.DOOR, HOOD ACCESS	1	
	274 957	.BOLT, HEX - #10-24x3/4	4	
	30 209 R1	.WASHER, FLAT - M6	8	
	19 910 R1	.NUT, LOCK - #10-24	4	
4	925 997 C1	.SPRING, RETAINING	2	
5	202 602 H1	.GROMMET, BUMPER	3	
6		PADLOCK WITH KEYS (SEE PG 02-012)	1	

SUPERSTRUCTURE

PERFORATED HOOD



C13AH013

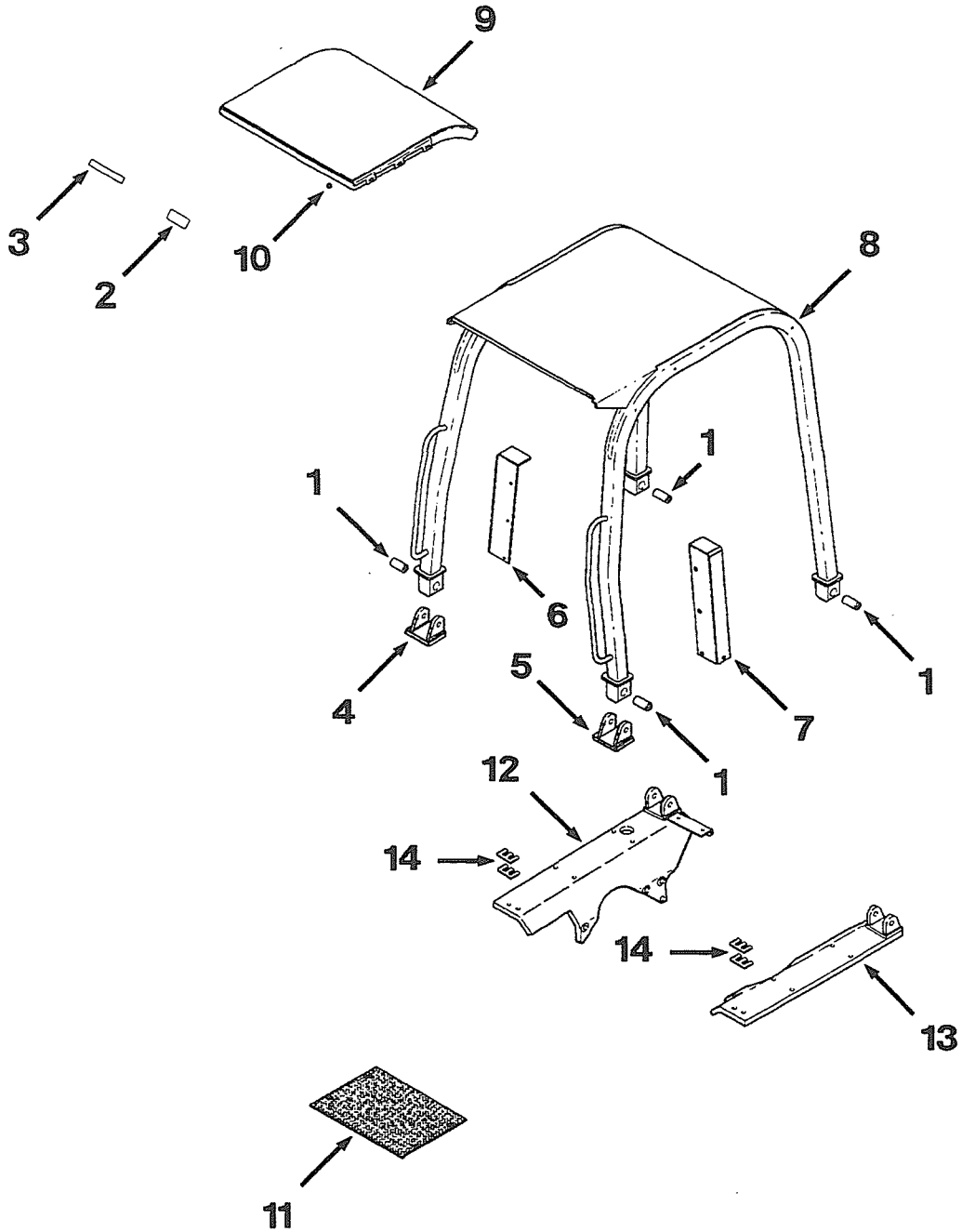
SUPERSTRUCTURE

PERFORATED HOOD

Item	Part Number	Description	Qty. Ref.
	1309 796 H91	HOOD ASSY, PERFORATED	1
1	1309 797 H91	.HOOD WELDMENT, PERFORATED	1
2	1101 601 C2	.HINGE, DOOR	1
	104 068	.RIVET - 3/6x5/8	4
3	1259 182 H91	.DOOR, HOOD ACCESS	1
	274 957	.BOLT, HEX - #10-24x3/4	4
	30 209 R1	.WASHER, FLAT - M6	8
	19 910 R1	.NUT, LOCK - #10-24	4
4	925 997 C1	.SPRING, RETAINING	2
5	202 602 H1	.GROMMET, BUMPER	3
6		PADLOCK WITH KEYS (SEE PG 02-012)	1

SUPERSTRUCTURE

ROPS CANOPY, HEADLINER AND FENDERS



C13BV014

SUPERSTRUCTURE

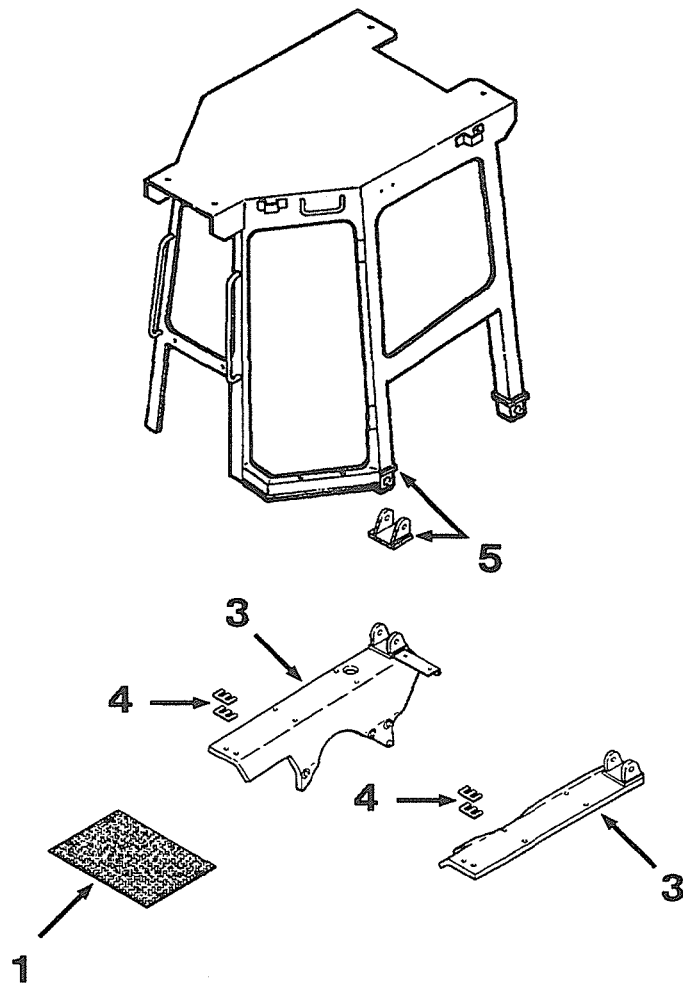
ROPS CANOPY, HEADLINER AND FENDERS

Item	Part Number	Description	Qty.	Ref.
	1304 221 H91	ROPS WITH SEAT BELT	1	F1
1	195-978-1311	.ISOLATOR, VIBRATION	4	
	25 996 R1	.BOLT, HEX - 1NCx6	4	
	25 550 R1	.WASHER, FLAT - 1	4	
	9413 986	.NUT, LOCK - 1NC	4	
2	NSS	.PLATE, SERIAL NUMBER	1	
	145 373	.SCREW, MOUNTING - #6x1/4	4	
3		.ROPS CAUTION (SEE PG 02-002)	1	
4	1304 110 H91	.BRACKET, RIGHT FRONT MOUNTING	1	
5	1304 111 H91	.BRACKET, LEFT FRONT MOUNTING	1	
6		.COVER, RESERVOIR (SEE PG 10-020)	1	
7		.COVER, BATTERY BOX (SEE PG 08-018)	1	
8	1285 219 H91	.FRAME, ROPS	1	
	1284 630 H91	HEADLINER	1	F1
9	1284 627 H1	.HEADLINER, FOAM	1	
10	1284 629 H1	.CLIP, MOUNTING	8	
	1300 486 H91	FENDERS AND PLATFORMS	1	F1
11	1268 598 H1	.PLATE, FLOOR	1	
	24 840 R1	.BOLT, HEX - 3/8NCx1	4	
	25 553 R1	.WASHER, FLAT - 3/8	4	
12	1299 607 H91	.FENDER, LEFT	1	
	24 891 R1	.BOLT, HEX - 3/4NCx2-3/4	4	
	25 548 R1	.WASHER, FLAT - 3/4	4	
13	1299 608 H91	.FENDER, RIGHT	1	
	24 891 R1	.BOLT, HEX - 3/4NCx2-3/4	4	
	25 548 R1	.WASHER, FLAT - 3/4	4	
14	1299 603 H1	.SPACER, FENDER	AR	
	24 891 R1	.BOLT, HEX - 3/4NCx2-3/4	4	

F1 - PART NUMBER IS A NON-SERVICE PART AND IS LISTED FOR REFERENCE ONLY.
ORDER INDIVIDUAL PIECE PARTS.

SUPERSTRUCTURE

ROPS CAB AND FENDERS



C13BV015

SUPERSTRUCTURE

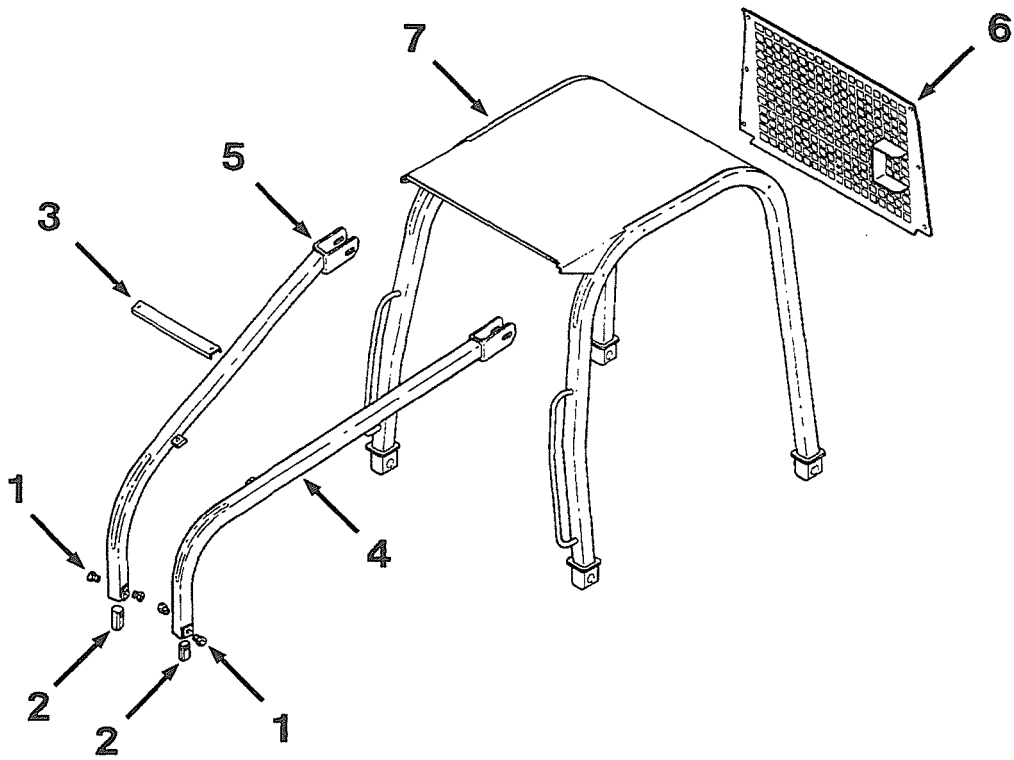
ROPS CAB AND FENDERS

Item	Part Number	Description	Qty.	Ref.
	1300 486 H91	FENDERS AND PLATFORMS	1	F1
1	1268 598 H1	.PLATE, FLOOR	1	
	24 840 R1	.BOLT, HEX - 3/8NCx1	4	
	25 553 R1	.WASHER, FLAT - 3/8	4	
2	1299 607 H91	.FENDER, LEFT	1	
	24 891 R1	.BOLT, HEX - 3/4NCx2-3/4	4	
	25 548 R1	.WASHER, FLAT - 3/4	4	
3	1299 608 H91	.FENDER, RIGHT	1	
	24 891 R1	.BOLT, HEX - 3/4NCx2-3/4	4	
	25 548 R1	.WASHER, FLAT - 3/4	4	
4	1299 603 H1	.SPACER, FENDER	AR	
	24 891 R1	.BOLT, HEX - 3/4NCx2-3/4	4	
5		CAB MOUNTING (SEE PG 13-044)	1	

F1 - PART NUMBER IS A NON-SERVICE PART AND IS LISTED FOR REFERENCE ONLY.
ORDER INDIVIDUAL PIECE PARTS.

SUPERSTRUCTURE

SWEEPS AND REAR SCREEN WITH ROPS CANOPY



C13BV012

SUPERSTRUCTURE

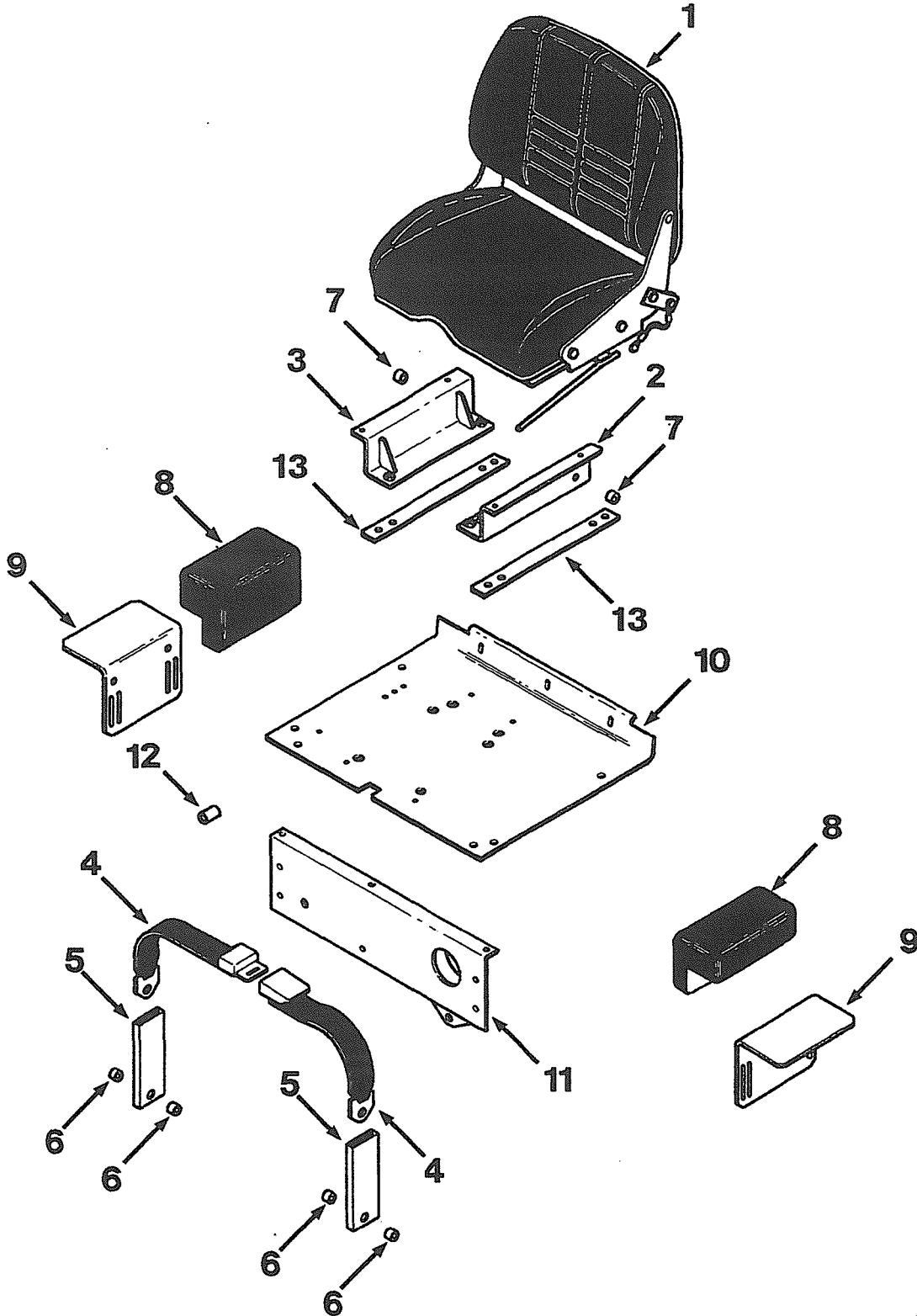
SWEEPS AND REAR SCREEN WITH ROPS CANOPY

Item	Part Number	Description	Qty.	Ref.
	1262 490 H91	FRONT SWEEPS	1	F1
1	153 343 H1	.BUSHING, ISO MOUNT	4	
	25 680 R1	.BOLT, HEX - 5/8NCx6	2	
	M 22 352	.WASHER, FLAT - 21/32	4	
	9412 231	.NUT, LOCK - 5/8NC	2	
2	1259 993 H1	.LUG, MOUNTING	2	
3	1260 333 H1	.CROSSMEMBER	1	
	24 876 R1	.BOLT, HEX - 5/8NCx2-1/4	2	
	25 537 R1	.WASHER, FLAT - 5/8	4	
	9412 231	.NUT, LOCK - 5/8NC	2	
4	1259 980 H91	.SWEEP, LEFT	1	
	24 883 R1	.BOLT, HEX - 5/8NCx5	1	
	25 556 R1	.WASHER, FLAT - 5/8	2	
	9412 231	.NUT, LOCK - 5/8NC	1	
5	1259 981 H91	.SWEEP, RIGHT	1	
	24 883 R1	.BOLT, HEX - 5/8NCx5	1	
	25 556 R1	.WASHER, FLAT - 5/8	2	
	9412 231	.NUT, LOCK - 5/8NC	1	
	1261 330 H91	REAR SCREEN	1	F1
6	1285 330 H91	.SCREEN, REAR	1	
	24 869 R1	.BOLT, HEX - 1/2NCx4-1/2	1	
	25 658 R1	.BOLT, HEX - 1/2NCx4-1/4	5	
	25 555 R1	.WASHER, FLAT - 1/2	12	
	25 526 R1	.NUT, HEX - 1/2NC	6	
7		ROPS CANOPY (SEE PG 13-012)	1	

F1 - PART NUMBER IS A NON-SERVICE PART AND IS LISTED FOR REFERENCE ONLY.
ORDER INDIVIDUAL PIECE PARTS.

SUPERSTRUCTURE

STATIC SEAT MOUNTING WITH ROPS CANOPY



C13BD007

SUPERSTRUCTURE

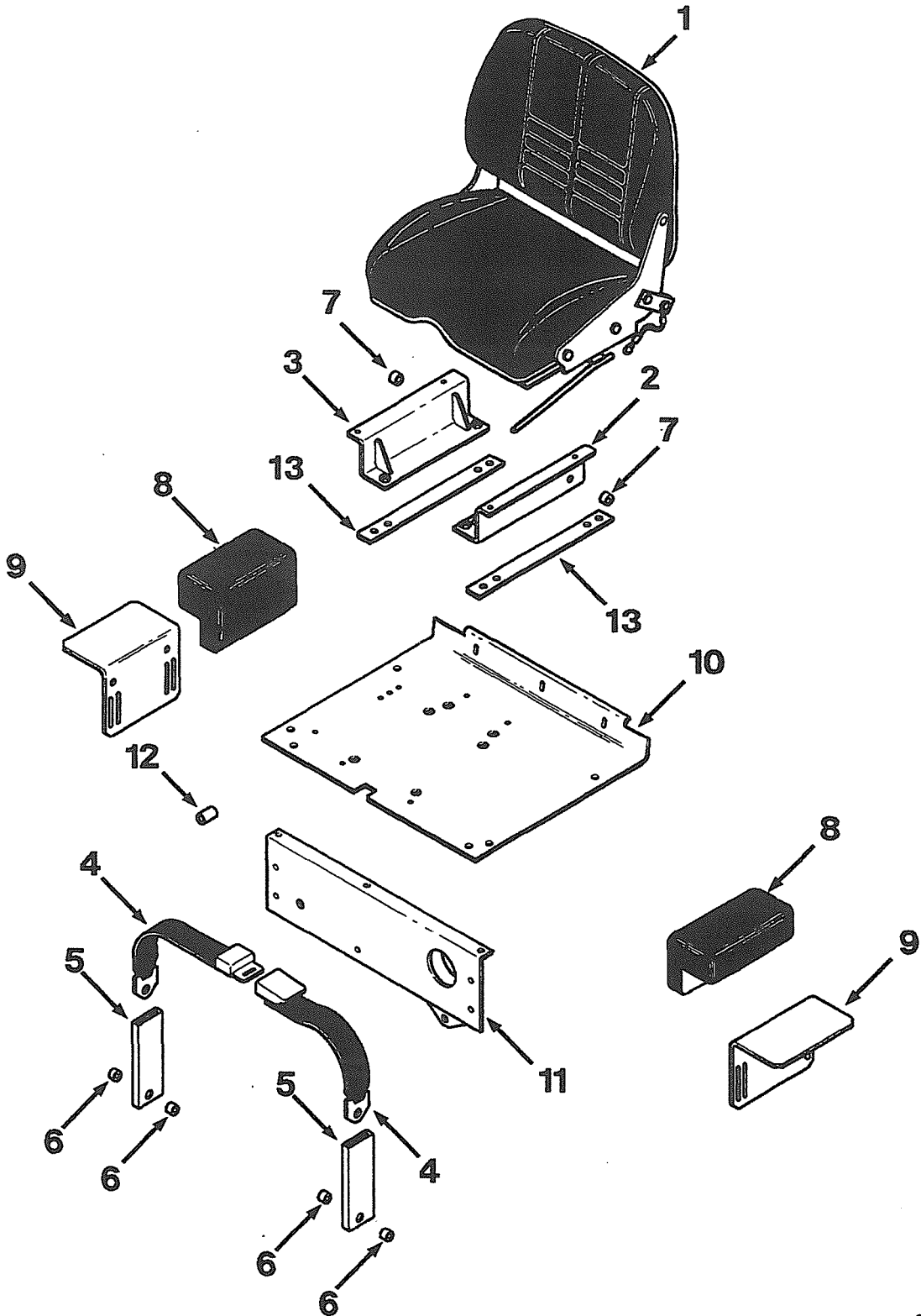
STATIC SEAT MOUNTING WITH ROPS CANOPY

Item	Part Number	Description	Qty.	Ref.
	<i>1300 835 H91</i>	<i>STATIC SEAT</i>	1	F1
1		.SEAT, STATIC (SEE PG 13-030)	1	
	25 552 R1	.WASHER, FLAT - 5/16	4	
	25 520 R1	.NUT, HEX - 5/16NC	4	
2	1282 338 H91	.SUPPORT, LEFT SEAT	1	
	25 228 R1	.BOLT, HEX - 5/16NCx3/4	2	
	25 552 R1	.WASHER, FLAT - 5/16	2	
3	1282 339 H91	.SUPPORT, RIGHT SEAT	1	
	25 228 R1	.BOLT, HEX - 5/16NCx3/4	2	
	25 552 R1	.WASHER, FLAT - 5/16	2	
4	636 888 C3	.BELT, SEAT	1	
	24 864 R1	.BOLT, HEX - 1/2NCx2	2	
	25 555 R1	.WASHER, FLAT - 1/2	4	
	9412 230	.NUT, LOCK - 1/2NC	2	
5	1287 385 H1	.SLEEVE, EXTRUDED	2	
6	610 395 R1	.SPACER, PIPE	4	
7	610 395 R1	.SPACER, PIPE	2	
	24 862 R1	.BOLT, HEX - 1/2NCx1-1/2	2	
	25 555 R1	.WASHER, FLAT - 1/2	4	
	9412 230	.NUT, LOCK - 1/2NC	2	
	<i>1300 487 H91</i>	<i>SEAT AND SUPPORTS</i>	1	F1
8	1306 182 H1	.ARM REST	2	
	24 839 R1	.BOLT, HEX - 3/8NCx3/4	4	
	25 534 R1	.WASHER, FLAT - 3/8	4	
9	1306 181 H1	.BRACKET, MOUNTING	2	
	24 839 R1	.BOLT, HEX - 3/8NCx3/4	4	
	25 534 R1	.WASHER, FLAT - 3/8	4	
10	1304 125 H91	.PLATE, SEAT MOUNTING	1	
	24 840 R1	.BOLT, HEX - 3/8NCx1	6	
	25 553 R1	.WASHER, FLAT - 3/8	6	
	24 860 R1	.BOLT, HEX - 1/2NCx1	3	
	25 555 R1	.WASHER, FLAT - 1/2	3	
11	1300 620 H91	.SUPPORT, FRONT SEAT	1	
	24 848 R1	.BOLT, HEX - 7/16NCx3/4	4	
	25 553 R1	.WASHER, FLAT - 3/8	4	
12	3071 294 R1	.BOSS, MOUNTING - TUBE CLAMP	1	

CONTINUED ON NEXT PAGE

SUPERSTRUCTURE

STATIC SEAT MOUNTING WITH ROPS CANOPY



C13BD007

SUPERSTRUCTURE

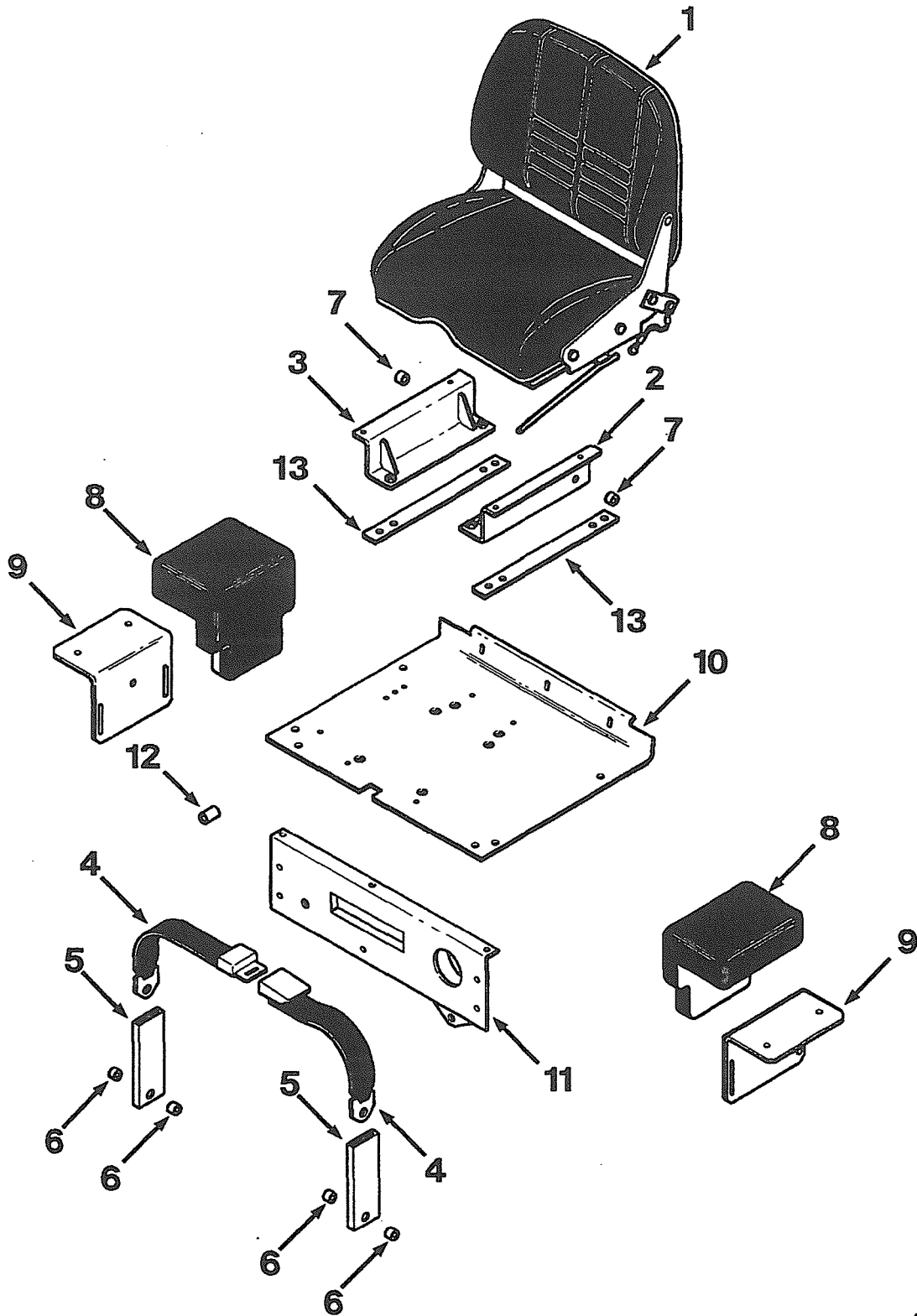
STATIC SEAT MOUNTING WITH ROPS CANOPY

Item	Part Number	Description	Qty.	Ref.
13	1300 689 H1	.BAR, SEAT MOUNTING	2	
	24 840 R1	.BOLT, HEX - 3/8NCx1	4	
	25 553 R1	.WASHER, FLAT - 3/8	4	

F1 - PART NUMBER IS A NON-SERVICE PART AND IS LISTED FOR REFERENCE ONLY.
ORDER INDIVIDUAL PIECE PARTS.

SUPERSTRUCTURE

STATIC SEAT MOUNTING WITH ROPS CAB



C13BD008

SUPERSTRUCTURE

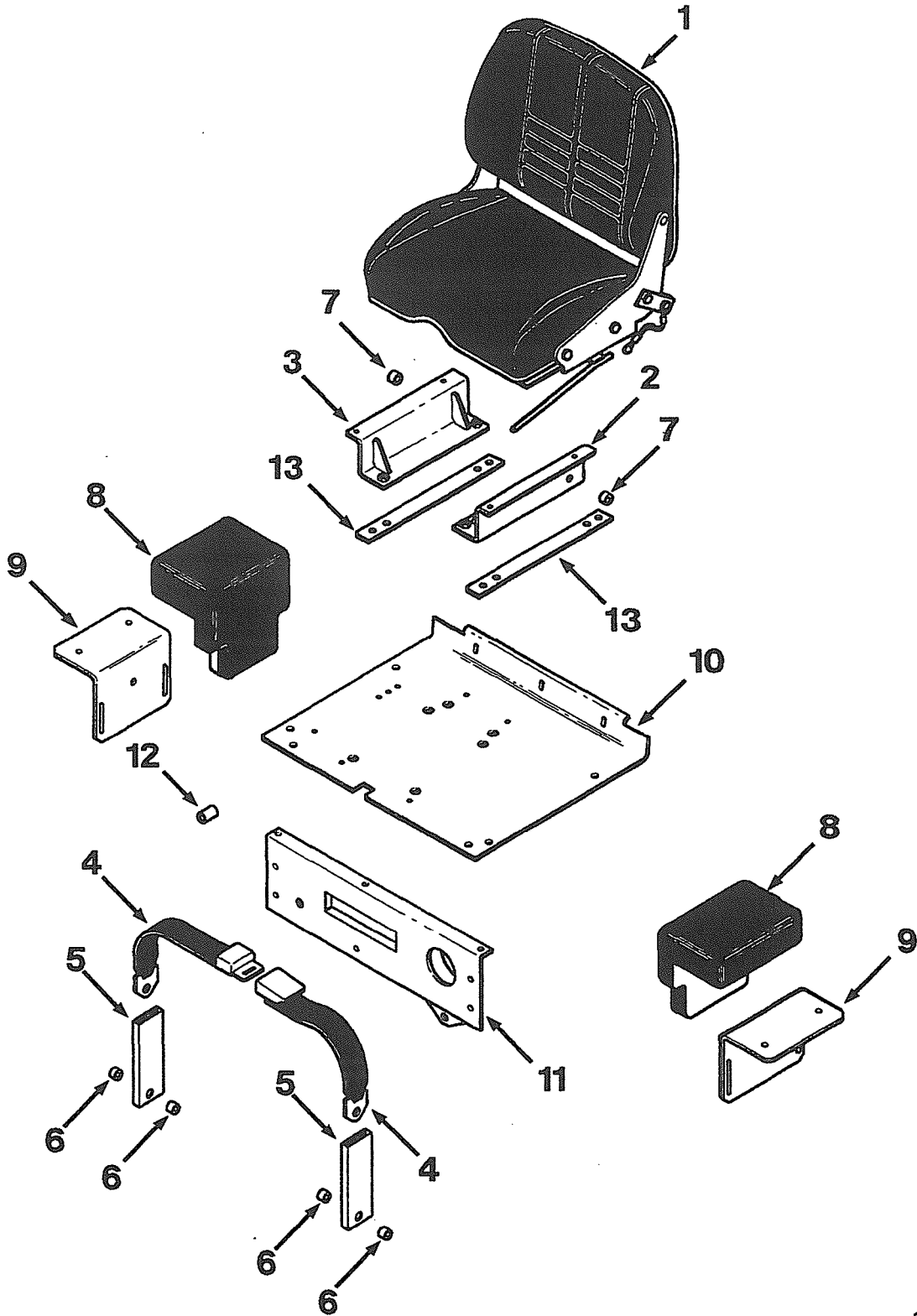
STATIC SEAT MOUNTING WITH ROPS CAB

Item	Part Number	Description	Qty.	Ref.
	1300 835 H91	STATIC SEAT	1	F1
1		.SEAT, STATIC (SEE PG 13-030)	1	
	25 552 R1	.WASHER, FLAT - 5/16	4	
	25 520 R1	.NUT, HEX - 5/16NC	4	
2	1282 338 H91	.SUPPORT, LEFT SEAT	1	
	25 228 R1	.BOLT, HEX - 5/16NCx3/4	2	
	25 552 R1	.WASHER, FLAT - 5/16	2	
3	1282 339 H91	.SUPPORT, RIGHT SEAT	1	
	25 228 R1	.BOLT, HEX - 5/16NCx3/4	2	
	25 552 R1	.WASHER, FLAT - 5/16	2	
4	636 888 C3	.BELT, SEAT	1	
	24 864 R1	.BOLT, HEX - 1/2NCx2	2	
	25 555 R1	.WASHER, FLAT - 1/2	4	
	9412 230	.NUT, LOCK - 1/2NC	2	
5	1287 385 H1	.SLEEVE, EXTRUDED	2	
6	610 395 R1	.SPACER, PIPE	4	
7	610 395 R1	.SPACER, PIPE	2	
	24 862 R1	.BOLT, HEX - 1/2NCx1-1/2	2	
	25 555 R1	.WASHER, FLAT - 1/2	4	
	9412 230	.NUT, LOCK - 1/2NC	2	
8	1309 250 H92	ARM REST	2	
	24 839 R1	BOLT, HEX - 3/8NCx3/4	4	
	25 534 R1	WASHER, FLAT - 3/8	4	
9	1309 249 H1	BRACKET, MOUNTING	2	
	24 839 R1	BOLT, HEX - 3/8NCx3/4	4	
	25 534 R1	WASHER, FLAT - 3/8	4	
10		PLATE, SEAT MOUNTING (SEE PG 13-098)	1	
	24 840 R1	BOLT, HEX - 3/8NCx1	6	
	25 553 R1	WASHER, FLAT - 3/8	6	
	24 860 R1	BOLT, HEX - 1/2NCx1	3	
	25 555 R1	WASHER, FLAT - 1/2	3	
11		SUPPORT, FRONT SEAT (SEE PG 13-098)	1	
	24 848 R1	BOLT, HEX - 7/16NCx3/4	4	
	25 553 R1	WASHER, FLAT - 3/8	4	
12	3071 294 R1	BOSS, MOUNTING - TUBE CLAMP	1	
13	1300 689 H1	BAR, SEAT MOUNTING	2	

CONTINUED ON NEXT PAGE

SUPERSTRUCTURE

STATIC SEAT MOUNTING WITH ROPS CAB



C13BD008

SUPERSTRUCTURE

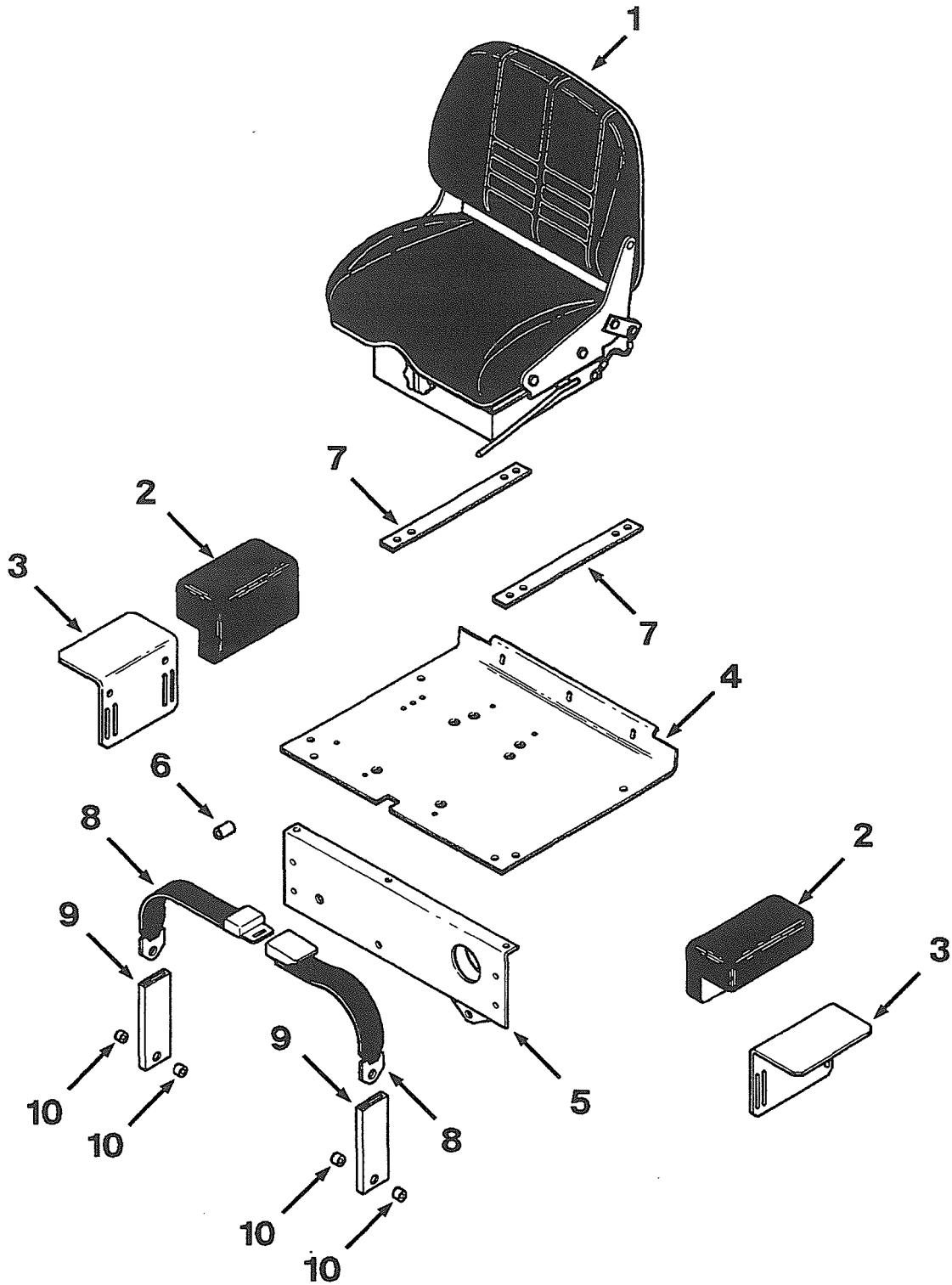
STATIC SEAT MOUNTING WITH ROPS CAB

Item	Part Number	Description	Qty.	Ref.
	24 840 R1	BOLT, HEX - 3/8NCx1	4	
	25 553 R1	WASHER, FLAT - 3/8	4	

F1 - PART NUMBER IS A NON-SERVICE PART AND IS LISTED FOR REFERENCE ONLY.
ORDER INDIVIDUAL PIECE PARTS.

SUPERSTRUCTURE

SUSPENSION SEAT MOUNTING - WITHOUT SEAT BELT RETRACTOR WITH ROPS CANOPY



C13BD000

SUPERSTRUCTURE

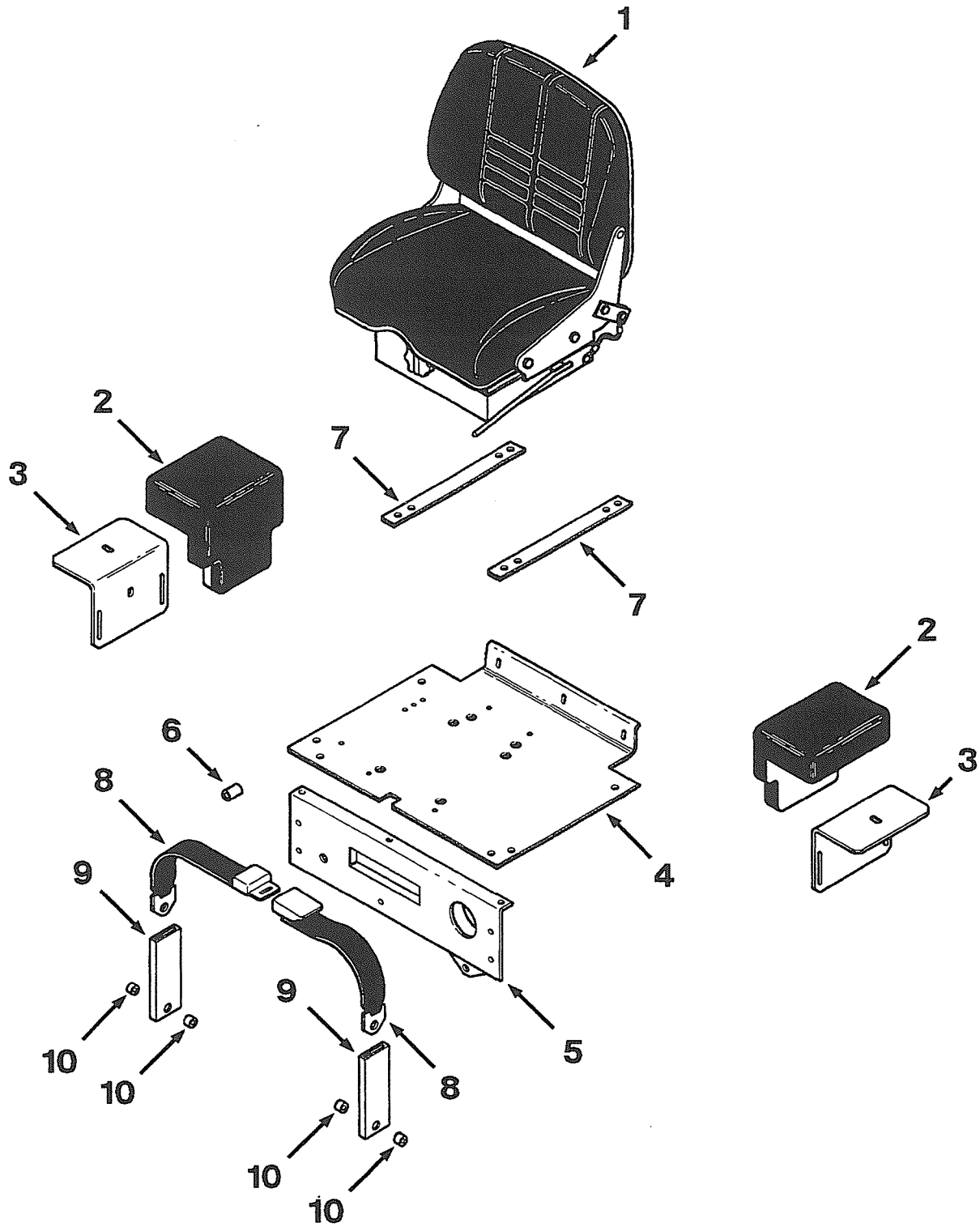
SUSPENSION SEAT MOUNTING - WITHOUT SEAT BELT RETRACTOR WITH ROPS CANOPY

Item	Part Number	Description	Qty.	Ref.
	1270 147 H91	SUSPENSION SEAT	1	F1
1		.SEAT, SUSPENSION (SEE PG 13-032)	1	
	25 552 R1	.WASHER, FLAT - 5/16	4	
	25 520 R1	.NUT, HEX - 5/16NC	4	
	1300 487 H91	SEAT AND SUPPORTS	1	F1
2	1306 182 H1	.ARM REST	2	
	24 839 R1	.BOLT, HEX - 3/8NCx3/4	4	
	25 534 R1	.WASHER, FLAT - 3/8	4	
3	1306 181 H1	.BRACKET, MOUNTING	2	
	24 839 R1	.BOLT, HEX - 3/8NCx3/4	4	
	25 534 R1	.WASHER, FLAT - 3/8	4	
4	1304 125 H91	.PLATE, SEAT MOUNTING	1	
	24 840 R1	.BOLT, HEX - 3/8NCx1	6	
	25 553 R1	.WASHER, FLAT - 3/8	6	
	24 860 R1	.BOLT, HEX - 1/2NCx1	3	
	25 555 R1	.WASHER, FLAT - 1/2	3	
5	1300 620 H91	.SUPPORT, FRONT SEAT	1	
	24 848 R1	.BOLT, HEX - 7/16NCx3/4	4	
	25 553 R1	.WASHER, FLAT - 3/8	4	
6	3071 294 R1	.BOSS, MOUNTING - TUBE CLAMP	1	
7	1300 689 H1	.BAR, SEAT MOUNTING	2	
	24 840 R1	.BOLT, HEX - 3/8NCx1	4	
	25 553 R1	.WASHER, FLAT - 3/8	4	
8	636 888 C3	BELT, SEAT	1	
	24 864 R1	BOLT, HEX - 1/2NCx2	2	
	25 555 R1	WASHER, FLAT - 1/2	4	
	9412 230	NUT, LOCK - 1/2NC	2	
9	1287 385 H1	SLEEVE, EXTRUDED	2	
10	610 395 R1	SPACER, PIPE	4	

F1 - PART NUMBER IS A NON-SERVICE PART AND IS LISTED FOR REFERENCE ONLY.
ORDER INDIVIDUAL PIECE PARTS.

SUPERSTRUCTURE

SUSPENSION SEAT MOUNTING - WITHOUT SEAT BELT RETRACTOR WITH ROPS CAB



KCAB0033

SUPERSTRUCTURE

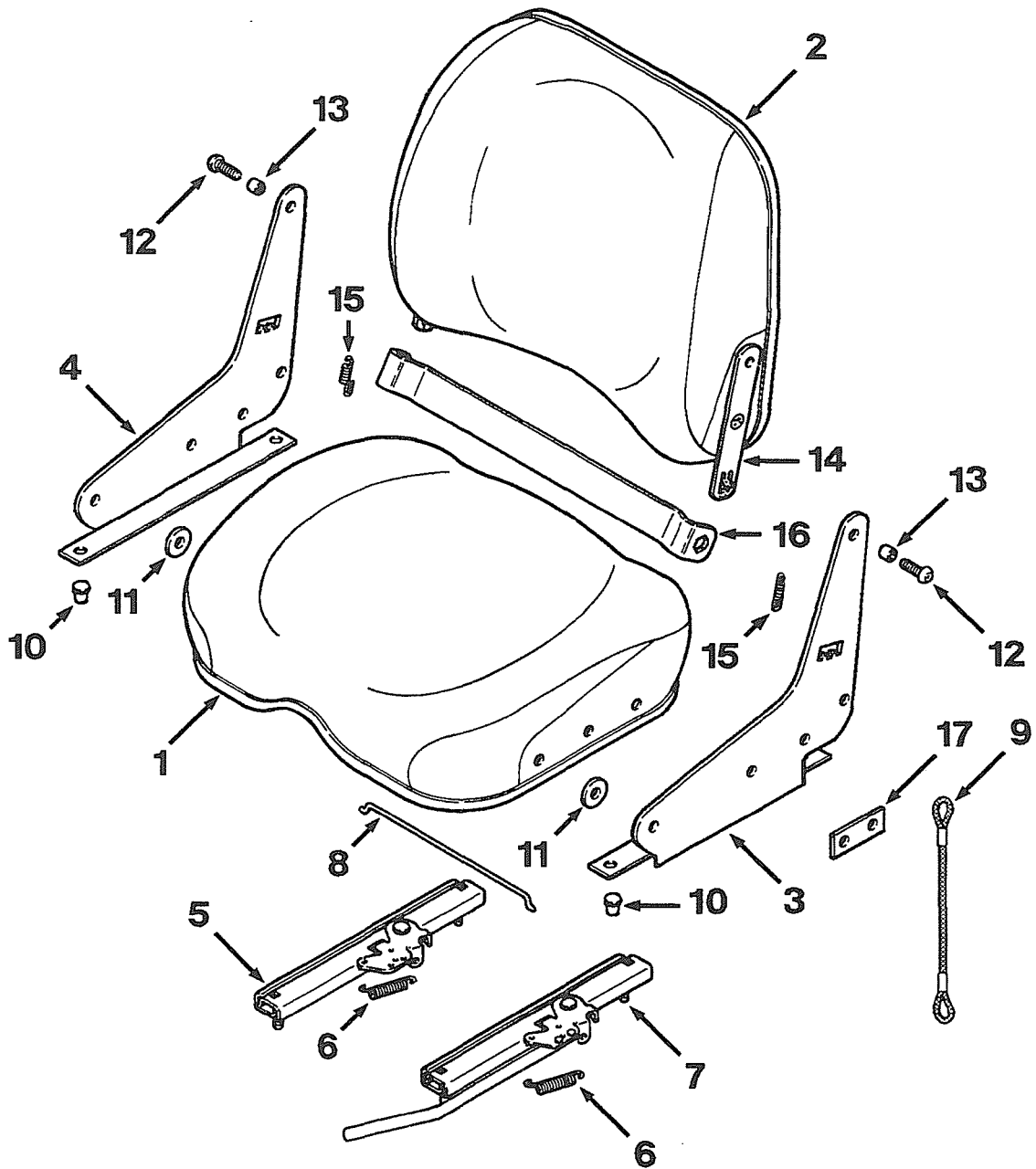
SUSPENSION SEAT MOUNTING - WITHOUT SEAT BELT RETRACTOR WITH ROPS CAB

Item	Part Number	Description	Qty.	Ref.
	1270 147 H91	SUSPENSION SEAT	1	F1
1		.SEAT, SUSPENSION (SEE PG 13-032)	1	
	25 552 R1	.WASHER, FLAT - 5/16	4	
	25 520 R1	.NUT, HEX - 5/16NC	4	
2	1309 250 H92	ARM REST	2	
	24 839 R1	BOLT, HEX - 3/8NCx3/4	4	
	25 534 R1	WASHER, FLAT - 3/8	4	
3	1309 249 H1	BRACKET, MOUNTING	2	
	24 839 R1	BOLT, HEX - 3/8NCx3/4	4	
	25 534 R1	WASHER, FLAT - 3/8	4	
4		PLATE, SEAT MOUNTING (SEE PG 13-098)	1	
	24 840 R1	BOLT, HEX - 3/8NCx1	6	
	25 553 R1	WASHER, FLAT - 3/8	6	
	24 860 R1	BOLT, HEX - 1/2NCx1	3	
	25 555 R1	WASHER, FLAT - 1/2	3	
5		SUPPORT, FRONT SEAT (SEE PG 13-098)	1	
	24 848 R1	BOLT, HEX - 7/16NCx3/4	4	
	25 553 R1	WASHER, FLAT - 3/8	4	
6	3071 294 R1	BOSS, MOUNTING - TUBE CLAMP	1	
7	1300 689 H1	BAR, SEAT MOUNTING	2	
	24 840 R1	BOLT, HEX - 3/8NCx1	4	
	25 553 R1	WASHER, FLAT - 3/8	4	
8	636 888 C3	BELT, SEAT	1	
	24 864 R1	BOLT, HEX - 1/2NCx2	2	
	25 555 R1	WASHER, FLAT - 1/2	4	
	9412 230	NUT, LOCK - 1/2NC	2	
9	1287 385 H1	SLEEVE, EXTRUDED	2	
10	610 395 R1	SPACER, PIPE	4	

F1 - PART NUMBER IS A NON-SERVICE PART AND IS LISTED FOR REFERENCE ONLY.
ORDER INDIVIDUAL PIECE PARTS.

SUPERSTRUCTURE

STATIC SEAT



SEAT0003

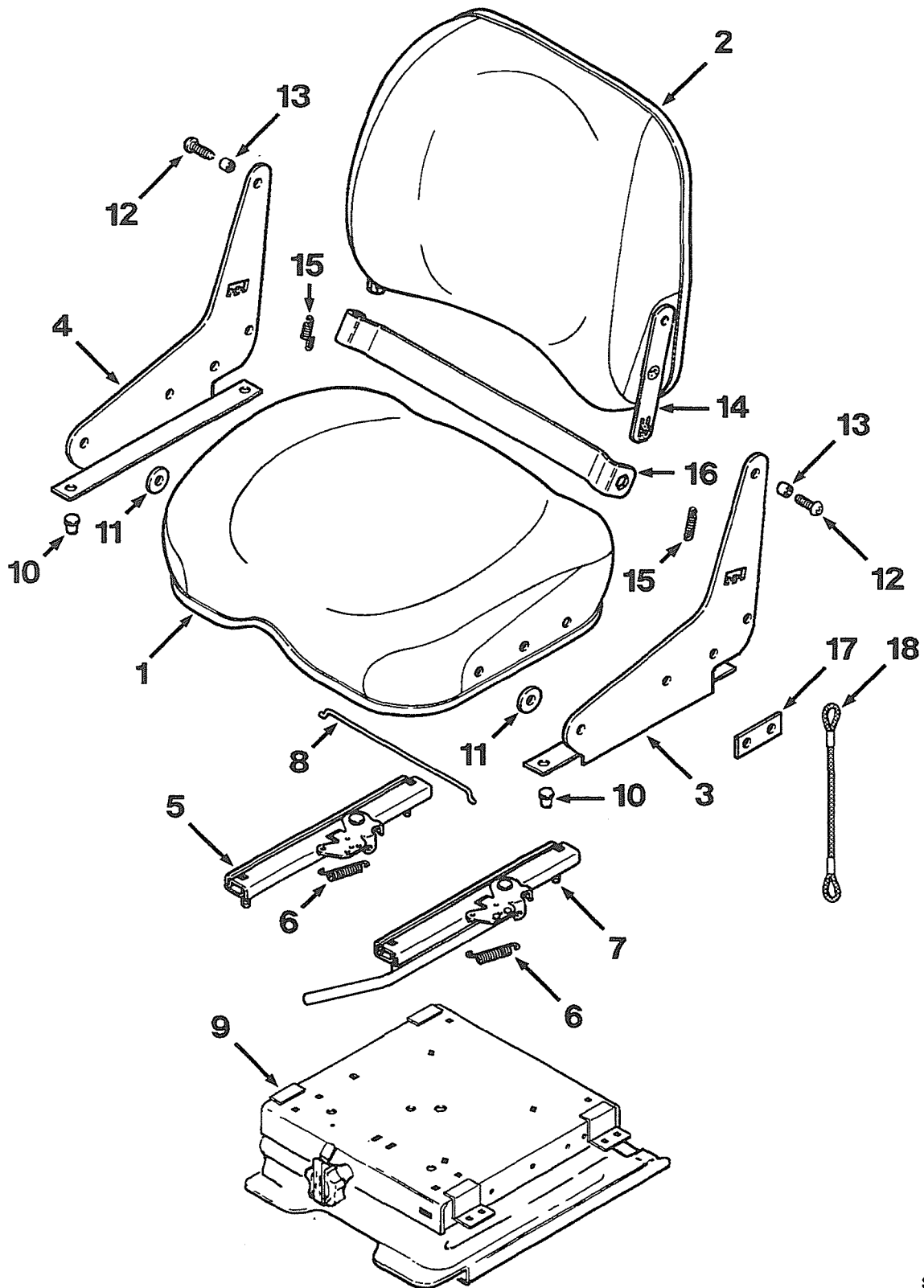
SUPERSTRUCTURE

STATIC SEAT

Item	Part Number	Description	Qty.	Ref.
	1282 542 H91	SEAT ASSY, STATIC	1	
1	1301 345 H1	.CUSHION, SEAT	1	
2	1301 346 H1	.CUSHION, BACK	1	
3	NSS	.BRACKET, LEFT SIDE	1	
	24 862 R1	.BOLT, HEX - 1/2NCx1-1/2	2	
	1210 660 H1	.NUT, LOCK - 1/2NC	1	
4	NSS	.BRACKET, RIGHT SIDE	1	
	24 862 R1	.BOLT, HEX - 1/2NCx1-1/2	2	
	1210 660 H1	.NUT, LOCK - 1/2NC	1	
	1301 350 H1	.KIT, SLIDE	1	
5	NSS	..ADJUSTER, RIGHT	1	
6	NSS	..SPRING, RETURN	2	
7	NSS	..ADJUSTER, LEFT	1	
8	NSS	..ROD, LATCH	1	
9	1301 354 H1	.CABLE, TETHER	2	
10	NSS	.WASHER, CUP	4	
	NSS	.BOLT, CARRIAGE - 5/16NCx1-1/4	4	
	NSS	.NUT, LOCK - 5/16NC	4	
11	1245 089 H1	.SPACER, PLASTIC	4	
12	1210 650 H1	.BOLT, TILT	2	
	120 396	.WASHER, FLAT - 1/2	2	
13	1210 651 H1	.SPACER, BOLT	2	
14	1210 649 H1	.LINK, TILT	2	
	156 538	.SCREW, ALLEN - 3/8NCx1	2	
	9413 953	.NUT, LOCK - 3/8NC	2	
15	1201 655 H1	.SPRING, TILT LATCH	2	
17	NSS	.STRAP, TETHER CABLE	2	
	24 860 R1	.BOLT, HEX - 1/2NCx1	2	
	1210 660 H1	.NUT, LOCK - 1/2NC	2	
16	1136 690 C1	.BAR, SPACER	1	
	24 860 R1	.BOLT, HEX - 1/2NCx1	2	
	120 389	.WASHER, FLAT - 1/2	2	
	9412 230	.NUT, LOCK - 1/2NC	2	

SUPERSTRUCTURE

SUSPENSION SEAT - WITHOUT SEAT BELT RETRACTOR COMPLETE ASSEMBLY



SEAT0001

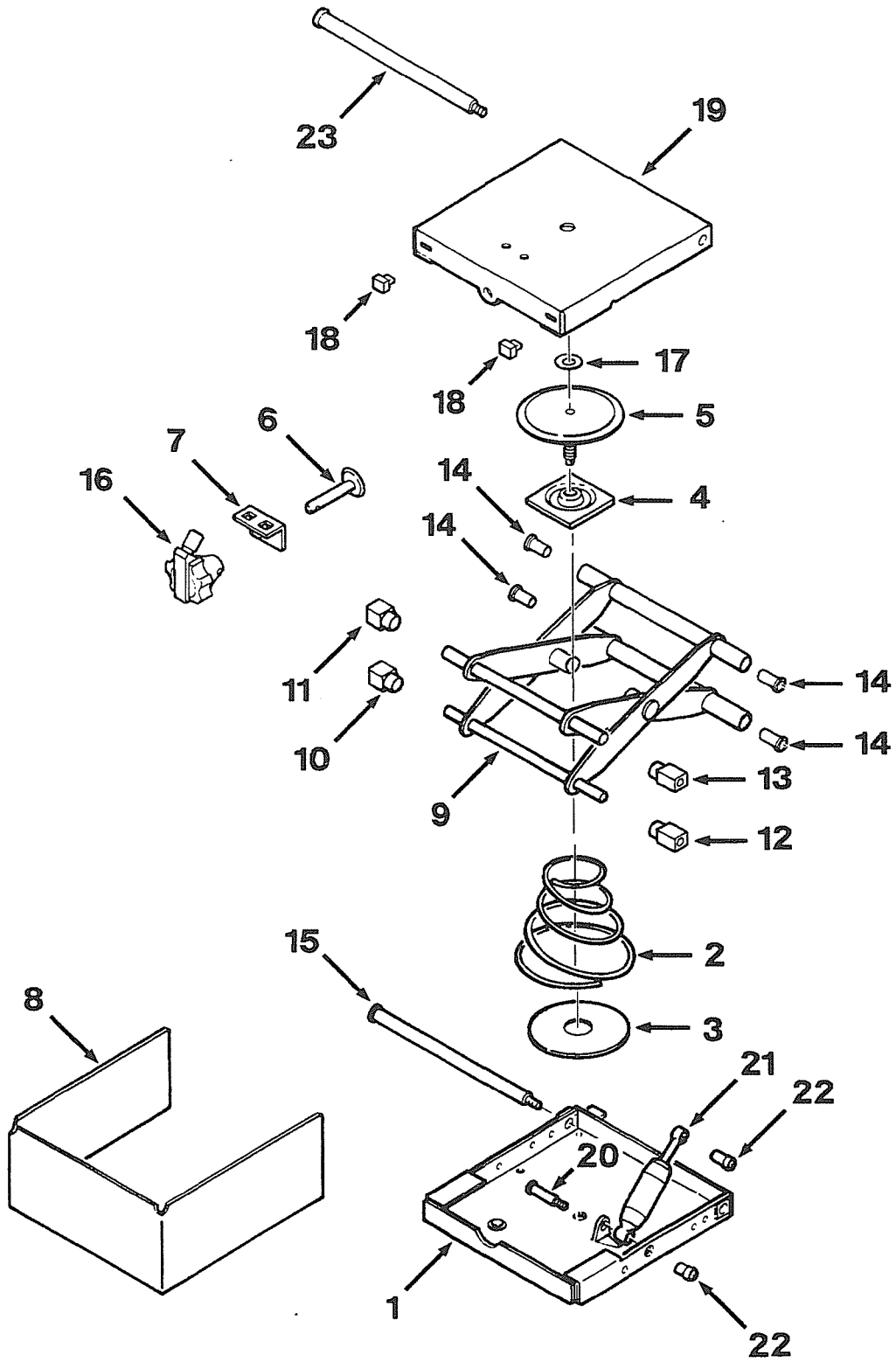
SUPERSTRUCTURE

SUSPENSION SEAT - WITHOUT SEAT BELT RETRACTOR COMPLETE ASSEMBLY

Item	Part Number	Description	Qty.	Ref.
	1282 543 H91	SEAT ASSY, SUSPENSION	1	
1	1301 345 H1	.CUSHION, SEAT	1	
2	1301 346 H1	.CUSHION, BACK	1	
3	NSS	.BRACKET, LEFT SIDE	1	
	24 862 R1	.BOLT, HEX - 1/2NCx1-1/2	2	
	1210 660 H1	.NUT, LOCK - 1/2NC	1	
4	NSS	.BRACKET, RIGHT SIDE	1	
	24 862 R1	.BOLT, HEX - 1/2NCx1-1/2	2	
	1210 660 H1	.NUT, LOCK - 1/2NC	1	
	1301 350 H1	.KIT, SLIDE	1	
5	NSS	..ADJUSTER, RIGHT	1	
6	NSS	..SPRING, RETURN	2	
7	NSS	..ADJUSTER, LEFT	1	
8	NSS	..ROD, LATCH	1	
9		.SUSPENSION, LOWER (SEE PG 13-034)	1	
	NSS	.NUT, LOCK - 5/16NC	4	
10	NSS	.WASHER, CUP	4	
	NSS	.BOLT, CARRIAGE - 5/16NCx1-1/4	4	
	NSS	.NUT, LOCK - 5/16NC	4	
11	1245 089 H1	.SPACER, PLASTIC	4	
12	1210 650 H1	.BOLT, TILT	2	
	120 396	.WASHER, FLAT - 1/2	2	
13	1210 651 H1	.SPACER, BOLT	2	
14	1210 649 H1	.LINK, TILT	2	
	156 538	.SCREW, MOUNTING - 3/8NCx1	2	
	9413 953	.NUT, LOCK - 3/8NC	2	
15	1201 655 H1	.SPRING, TILT LATCH	2	
16	1136 690 C1	.BAR, SPACER	1	
	24 860 R1	.BOLT, HEX - 1/2NCx1	2	
	120 389	.WASHER, FLAT - 1/2	2	
	9412 230	.NUT, LOCK - 1/2NC	2	
17	NSS	.STRAP, TETHER CABLE	2	
	24 860 R1	.BOLT, HEX - 1/2NCx1	2	
	1210 660 H1	.NUT, LOCK - 1/2NC	2	
18	1301 354 H1	.CABLE, TETHER	2	

SUPERSTRUCTURE

SUSPENSION SEAT - WITHOUT SEAT BELT RETRACTOR LOWER SUSPENSION



SEAT0002

SUPERSTRUCTURE

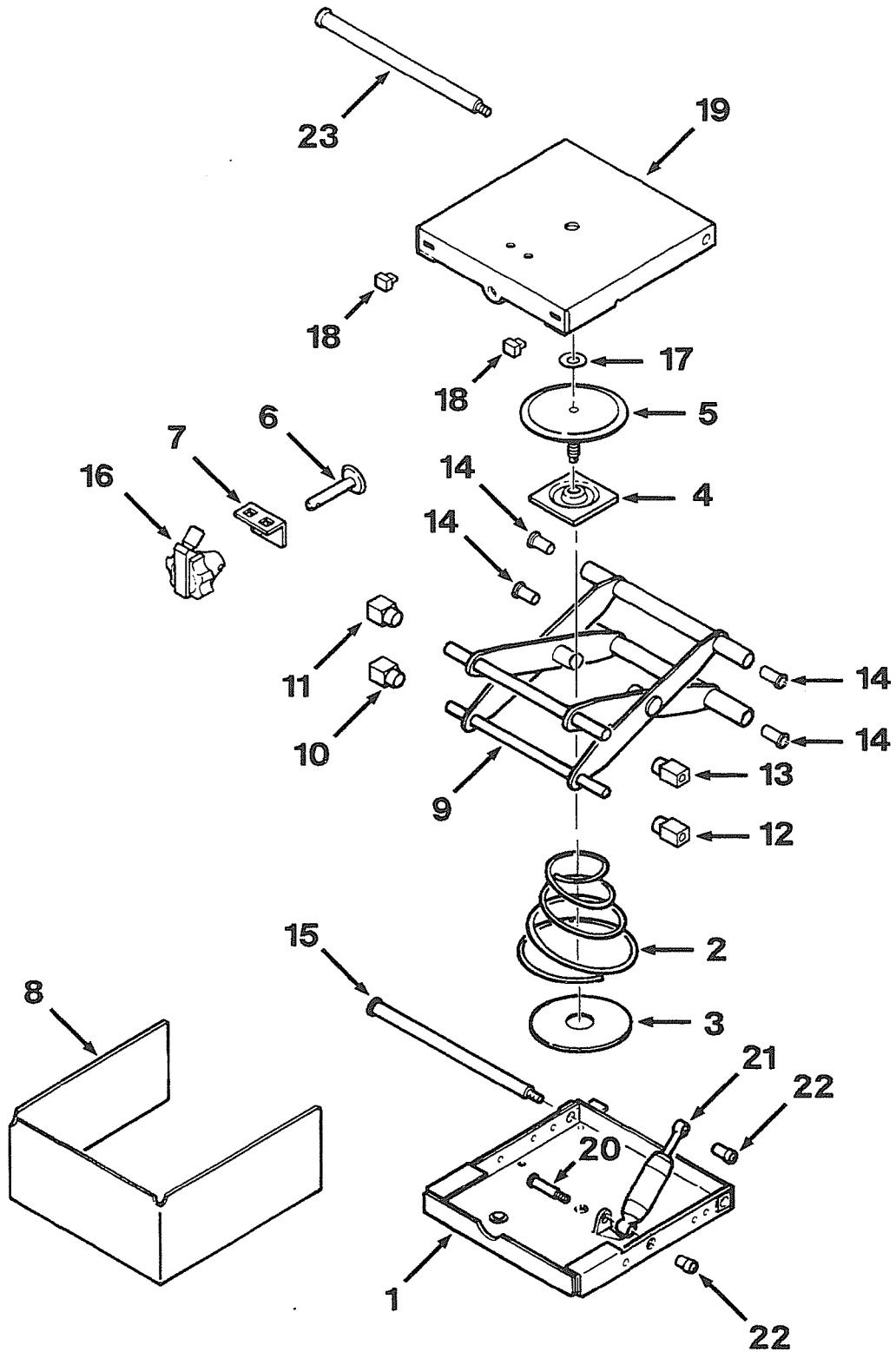
SUSPENSION SEAT - WITHOUT SEAT BELT RETRACTOR LOWER SUSPENSION

Item	Part Number	Description	Qty.	Ref.
	1301 352 H1	SUSPENSION ASSY, LOWER	1	
1	NSS	.HOUSING, LOWER	1	
	1301 349 H1	.KIT, SPRING	1	
2	1136 446 C1	..SPRING, CONICAL	1	} OPTIONAL
2	423-57-A1210	..SPRING, CONICAL	1	
3	NSS	..PAD, SPRING	1	
4	1136 447 C1	.WASHER, SPRING	1	
5	1136 448 C1	.GEAR, LARGE	1	
	19 368 R1	.PIN, ROLL	1	
6	1210 642 H1	.GEAR, SMALL	1	
7	1136 450 C1	.BRACKET, MOUNTING	1	
	598 794 R1	.BOLT, CARRIAGE	2	
	188 472 C1	.NUT, LOCK	2	
	1301 351 H1	.KIT, BOOT	1	
8	NSS	..BOOT, COVER	1	
	404 434 C1	..CLIP. BOOT	AR	
9	NSS	.ARM, SUSPENSION	1	
	423-57-A1130	.KIT, BEARING	1	
10	1136 535 C1	..BLOCK, LOWER RIGHT SLIDER	1	
11	1136 536 C1	..BLOCK, UPPER RIGHT SLIDER	1	
12	1136 537 C1	..BLOCK, LOWER LEFT SLIDER	1	
13	1136 538 C1	..BLOCK, UPPER LEFT SLIDER	1	
14	637 975 C1	..BUSHING, TUBE	4	
15	NSS	.SHAFT, LOWER	1	
	120 396	.WASHER, FLAT - 1/2.	1	
	19 368 R1	.PIN, ROLL	1	
	1301 353 H1	.KIT, KNOB	1	
16	NSS	..KNOB, ADJUSTER	1	
	19 368 R1	..PIN, ROLL	1	
17	1136 520 C1	.WASHER, THRUST	1	
18	1136 545 C1	.BUMPER, SLIDER	2	
19	NSS	.HOUSING, UPPER	1	
20	1136 543 C1	.BOLT, SHOULDER	1	
	1210 661 H1	.NUT, LOCK	1	
	1301 347 H1	.KIT, SHOCK ABSORBER	1	
21	NSS	..ABSORBER, SHOCK	1	

CONTINUED ON NEXT PAGE

SUPERSTRUCTURE

SUSPENSION SEAT - WITHOUT SEAT BELT RETRACTOR LOWER SUSPENSION



SEAT0002

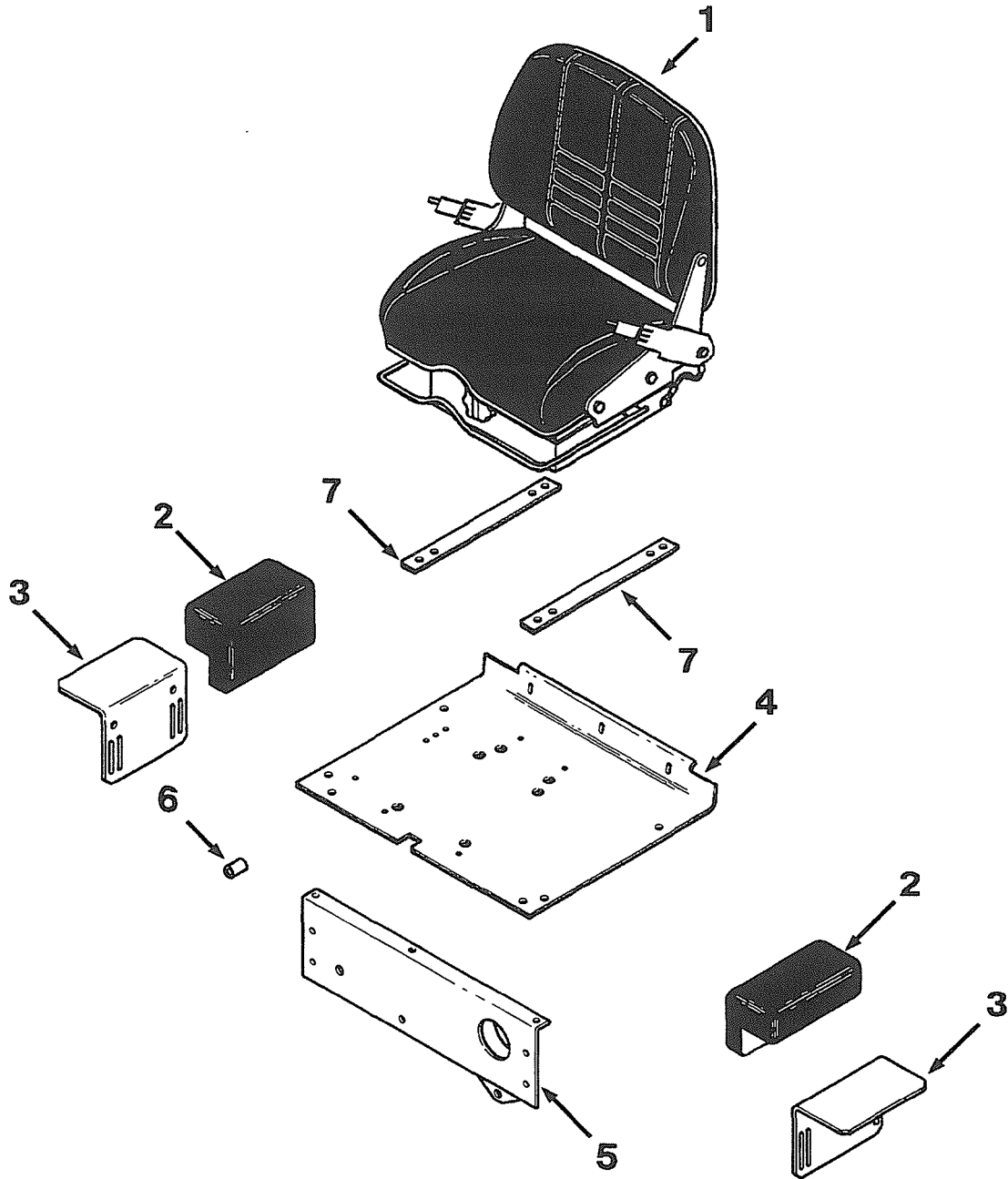
SUPERSTRUCTURE

SUSPENSION SEAT - WITHOUT SEAT BELT RETRACTOR
LOWER SUSPENSION

Item	Part Number	Description	Qty.	Ref.
22	1136 542 C1	.BEARING, ABSORBER	2	
23	NSS	.SHAFT, UPPER	1	
	1210 660 H1	.NUT, LOCK	1	

SUPERSTRUCTURE

SEAT MOUNTING - WITH SEAT BELT RETRACTOR WITH ROPS CANOPY



C13BD008

SUPERSTRUCTURE

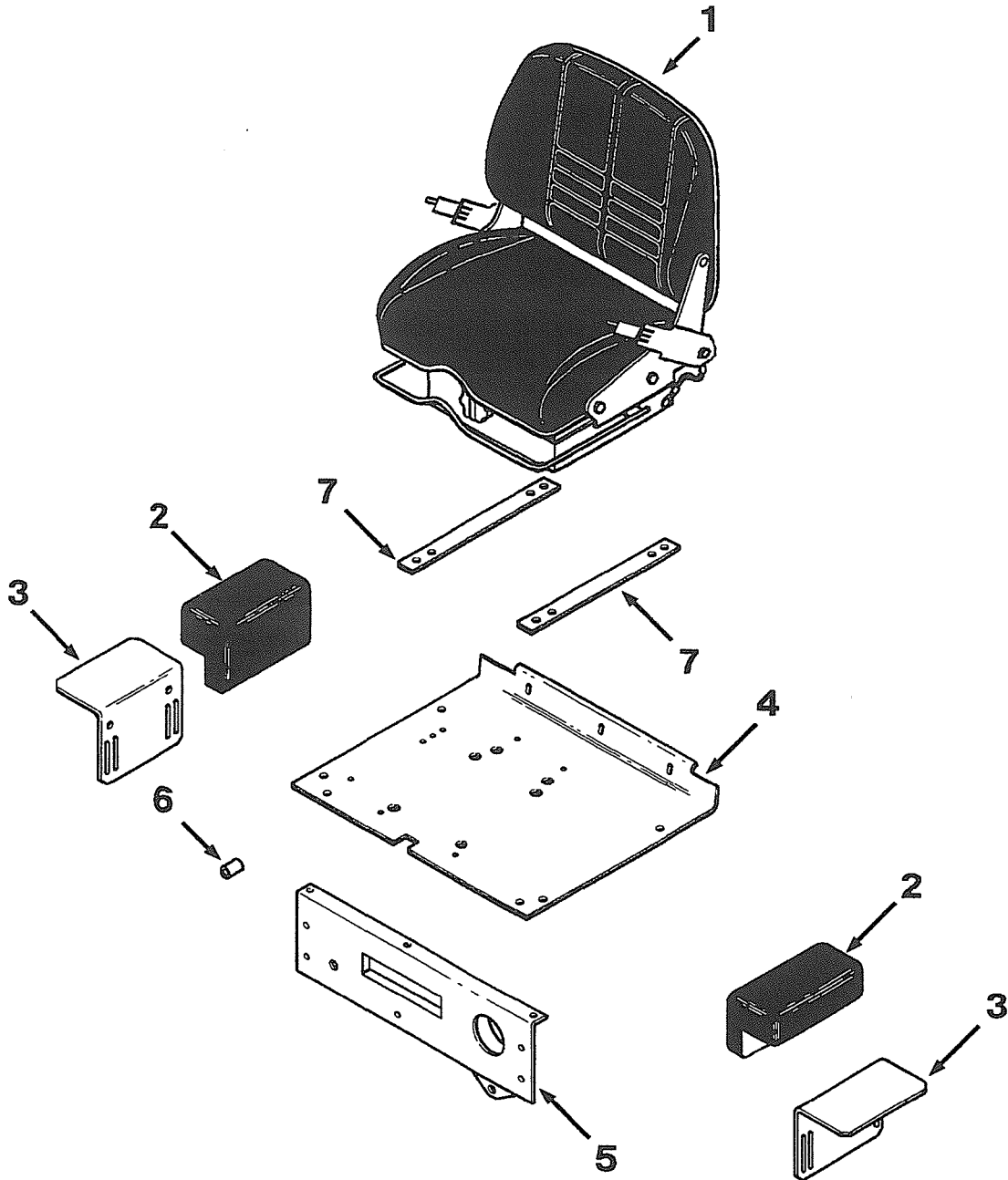
SEAT MOUNTING - WITH SEAT BELT RETRACTOR WITH ROPS CANOPY

Item	Part Number	Description	Qty.	Ref.
1		SEAT, SUSPENSION (SEE PG 13-042)	1	
	25 552 R1	WASHER, FLAT - 5/16	4	
	25 520 R1	NUT, HEX - 5/16NC	4	
	1300 487 H91	SEAT AND SUPPORTS	1	F1
2	1306 182 H1	.ARM REST	2	
	24 839 R1	.BOLT, HEX - 3/8NCx3/4	4	
	25 534 R1	.WASHER, FLAT - 3/8	4	
3	1306 181 H1	.BRACKET, MOUNTING	2	
	24 839 R1	.BOLT, HEX - 3/8NCx3/4	4	
	25 534 R1	.WASHER, FLAT - 3/8	4	
4	1304 125 H91	.PLATE, SEAT MOUNTING	1	
	24 840 R1	.BOLT, HEX - 3/8NCx1	6	
	25 553 R1	.WASHER, FLAT - 3/8	6	
	24 860 R1	.BOLT, HEX - 1/2NCx1	3	
	25 555 R1	.WASHER, FLAT - 1/2	3	
5	1300 620 H91	.SUPPORT, FRONT SEAT	1	
	24 848 R1	.BOLT, HEX - 7/16NCx3/4	4	
	25 553 R1	.WASHER, FLAT - 3/8	4	
6	3071 294 R1	.BOSS, MOUNTING - TUBE CLAMP	1	
7	1300 689 H1	.BAR, SEAT MOUNTING	2	
	24 840 R1	.BOLT, HEX - 3/8NCx1	4	
	25 553 R1	.WASHER, FLAT - 3/8	4	

F1 - PART NUMBER IS A NON-SERVICE PART AND IS LISTED FOR REFERENCE ONLY.
ORDER INDIVIDUAL PIECE PARTS.

SUPERSTRUCTURE

SEAT MOUNTING - WITH SEAT BELT RETRACTOR WITH ROPS CAB



C13BD007

SUPERSTRUCTURE

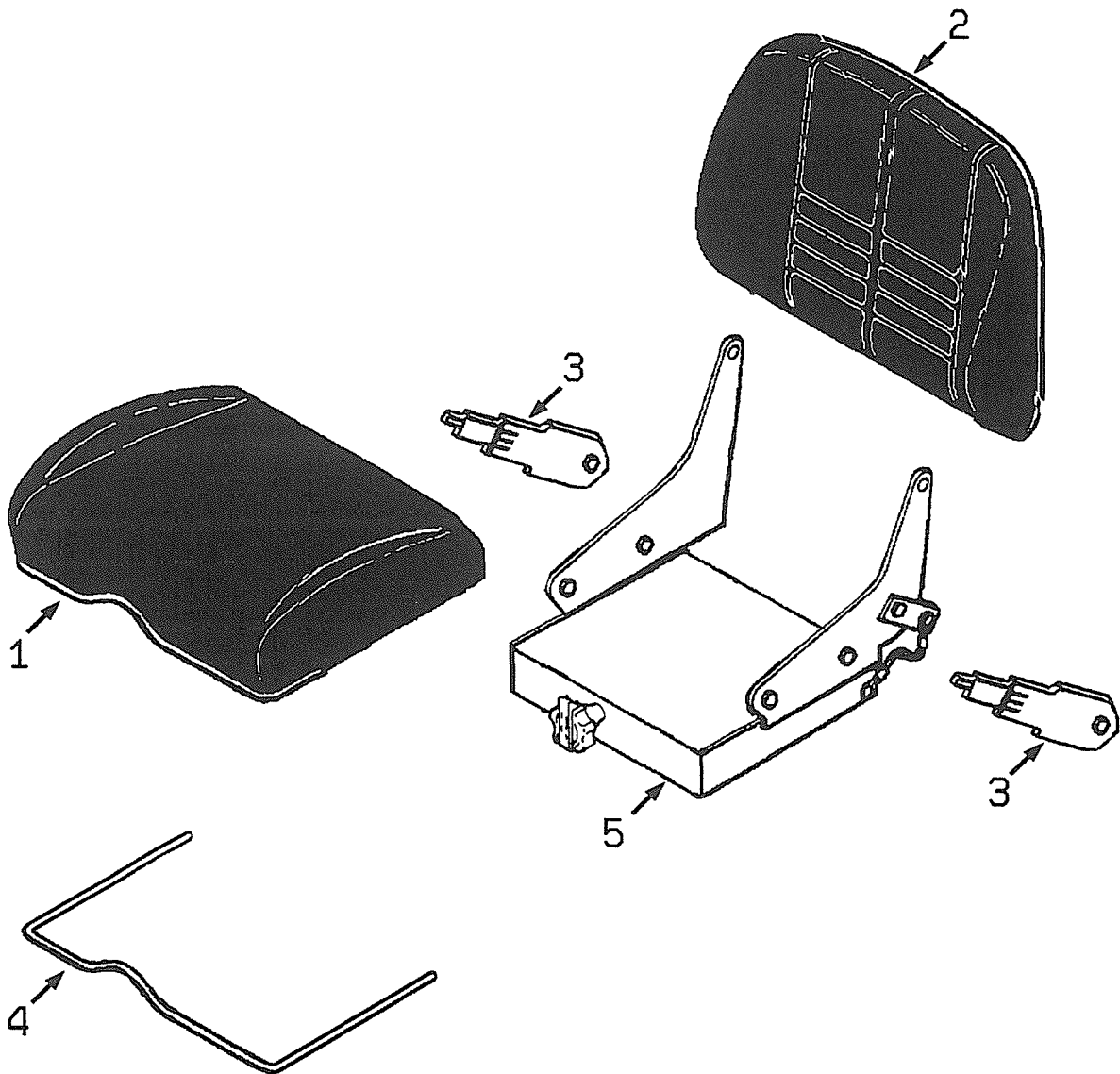
SEAT MOUNTING - WITH SEAT BELT RETRACTOR WITH ROPS CAB

Item	Part Number	Description	Qty.	Ref.
1		SEAT, SUSPENSION (SEE PG 13-042)	1	
	25 552 R1	WASHER, FLAT - 5/16	4	
	25 520 R1	NUT, HEX - 5/16NC	4	
	1300 487 H91	SEAT AND SUPPORTS	1	F1
2	1306 182 H1	ARM REST	2	
	24 839 R1	BOLT, HEX - 3/8NCx3/4	4	
	25 534 R1	WASHER, FLAT - 3/8	4	
3	1306 181 H1	BRACKET, MOUNTING	2	
	24 839 R1	BOLT, HEX - 3/8NCx3/4	4	
	25 534 R1	WASHER, FLAT - 3/8	4	
4		PLATE, SEAT MOUNTING (SEE PG 13-098)	1	
	24 840 R1	BOLT, HEX - 3/8NCx1	6	
	25 553 R1	WASHER, FLAT - 3/8	6	
	24 860 R1	BOLT, HEX - 1/2NCx1	3	
	25 555 R1	WASHER, FLAT - 1/2	3	
5		SUPPORT, FRONT SEAT (SEE PG 13-098)	1	
	24 848 R1	BOLT, HEX - 7/16NCx3/4	4	
	25 553 R1	WASHER, FLAT - 3/8	4	
6	3071 294 R1	BOSS, MOUNTING - TUBE CLAMP	1	
7	1300 689 H1	BAR, SEAT MOUNTING	2	
	24 840 R1	BOLT, HEX - 3/8NCx1	4	
	25 553 R1	WASHER, FLAT - 3/8	4	

F1 - PART NUMBER IS A NON-SERVICE PART AND IS LISTED FOR REFERENCE ONLY.
ORDER INDIVIDUAL PIECE PARTS.

SUPERSTRUCTURE

SUSPENSION SEAT - WITH SEAT BELT RETRACTOR COMPLETE ASSEMBLY



C13BH020

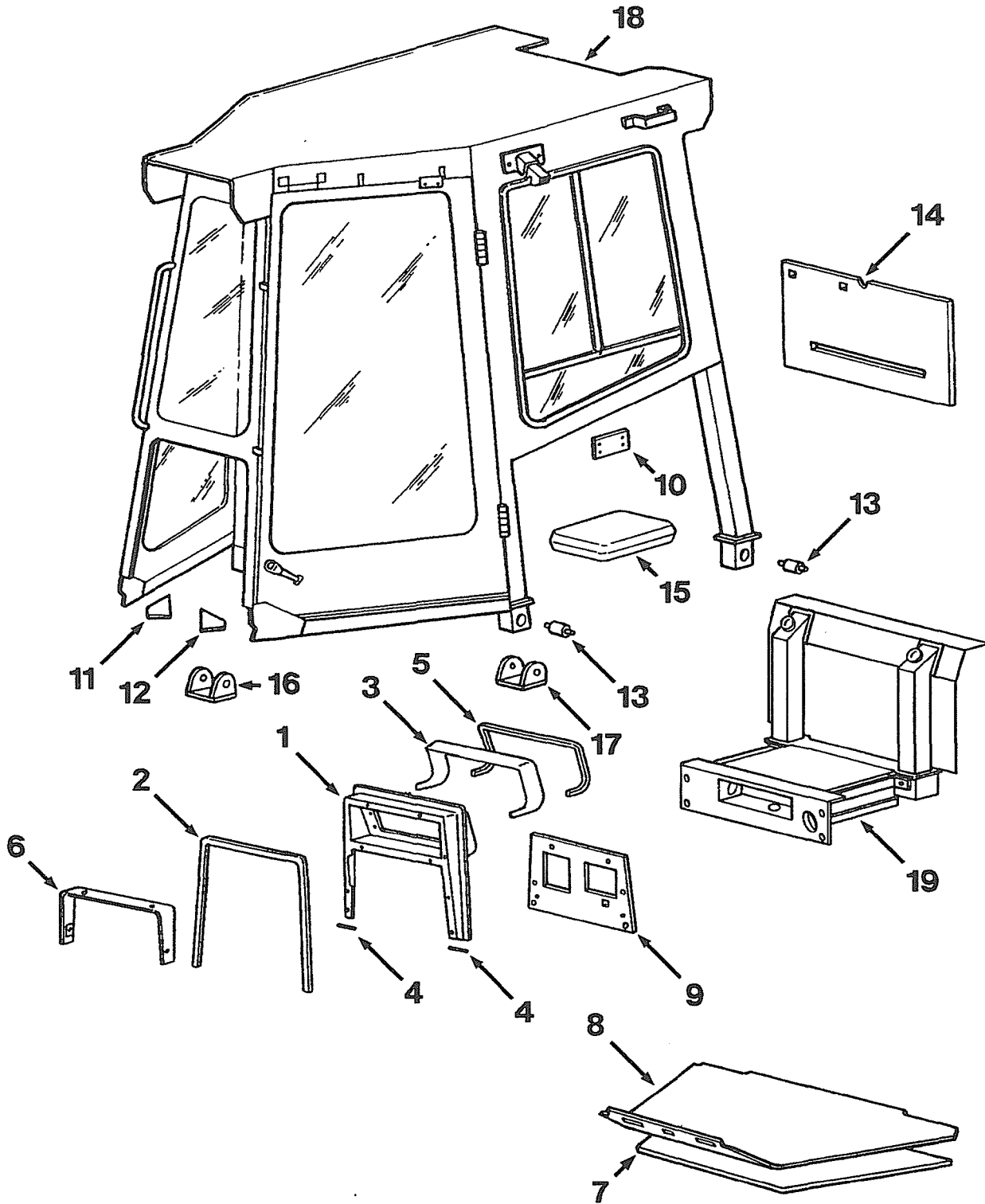
SUPERSTRUCTURE

SUSPENSION SEAT - WITH SEAT BELT RETRACTOR
COMPLETE ASSEMBLY

Item	Part Number	Description	Qty.	Ref.
	1308 934 H91	SEAT ASSY, SUSPENSION	1	
1	1301 345 H1	.CUSHION, SEAT	1	
2	1301 346 H1	.CUSHION, BACK	1	
3	1311 215 H1	.BELT, SEAT	1	
4	1311 217 H1	.LEVER, CONTROL	1	
5	NSS	.BASE, SEAT	1	

SUPERSTRUCTURE

CAB AND ACCESSORIES



C13CH013

SUPERSTRUCTURE

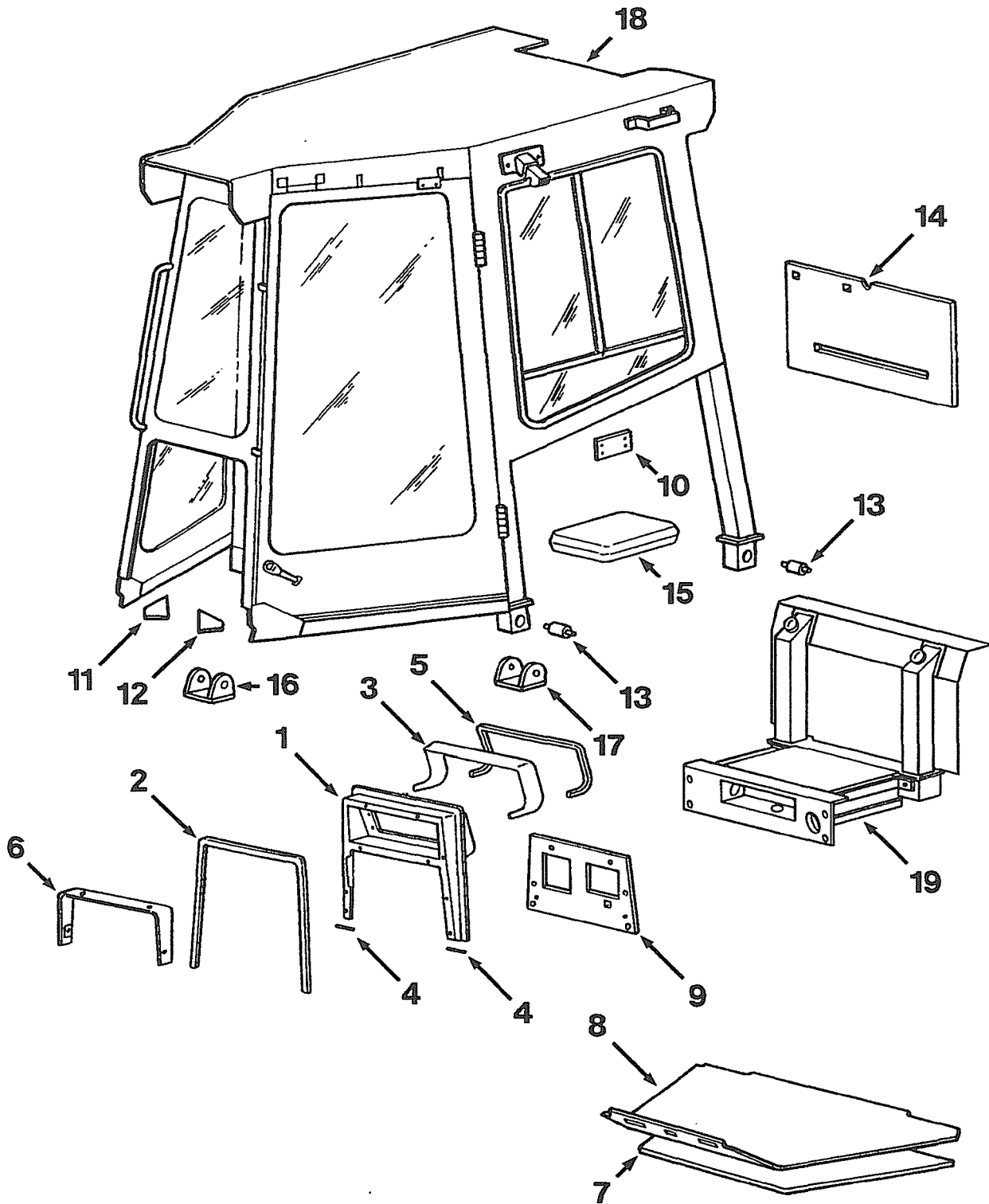
CAB AND ACCESSORIES

Item	Part Number	Description	Qty.	Ref.
	1305 456 H91	CAB AND ACCESSORIES	1	F1
	1299 623 H91	.DASH BOARD ASSY	1	
1	NSS	..BOARD, DASH	1	
2	1299 714 H2	..SEAL, TOP	1	
3	1299 715 H1	..SEAL,	1	
4	1299 716 H1	..SEAL, BOTTOM	2	
5		..TRIM, EDGE - 3.8 FT LONG	1	F2
	24 840 R1	.BOLT, HEX - 3/8NCx1	8	
	25 534 R1	.WASHER, FLAT - 3/8	8	
6	1300 632 H91	.GUARD, DASH	1	
	24 840 R1	.BOLT, HEX - 3/8NCx1	4	
	25 534 R1	.WASHER, FLAT - 3/8	4	
7	1300 539 H1	.UNDERLAYMENT	1	
8	1300 560 H1	.MAT, FLOOR	1	
9	1300 602 H1	.MAT, FIREWALL	1	
	31 006 R1	.SCREW, PAN HEAD - M6x16	4	
	1309 381 H1	.WASHER, FLAT	4	
10	1300 638 H1	.PLATE, PIN	1	
	1309 447 H1	.PIN, MOUNTING	4	
11	1304 189 H2	.GASKET, RIGHT	1	
12	1304 190 H2	.GASKET, LEFT	1	
13	195-978-1311	.ISOLATOR, MOUNTING	4	
14	1300 774 H1	.INSULATION, REAR	1	
15		.CASE, MANUAL (SEE PG 13-048)	1	
16	1304 110 H91	.BRACKET, RIGHT MOUNTING	1	
	1300 616 H1	.BLOCK, STOP	1	
17	1304 111 H91	.BRACKET, LEFT MOUNTING	1	
18		.CAB, COMPLETE (SEE PG 13-050)	1	
	25 996 R1	.BOLT, HEX - 1NCx6	4	
	25 550 R1	.WASHER, FLAT - 1	4	
	9413 986	.NUT, LOCK - 1NC	3	
	1300 600 H1	.BLOCK, THREADED RETAINER	1	
19		.HEATER, CAB (SEE PG 13-098)	1	
		ARM REST (SEE PG 13-022)	2	
		BRACKET, ARM REST (SEE PG 13-022)	2	
	1262 660 H1	TRIM, BULK EDGE	AR	

CONTINUED ON NEXT PAGE

SUPERSTRUCTURE

CAB AND ACCESSORIES



C13CH013

SUPERSTRUCTURE

CAB AND ACCESSORIES

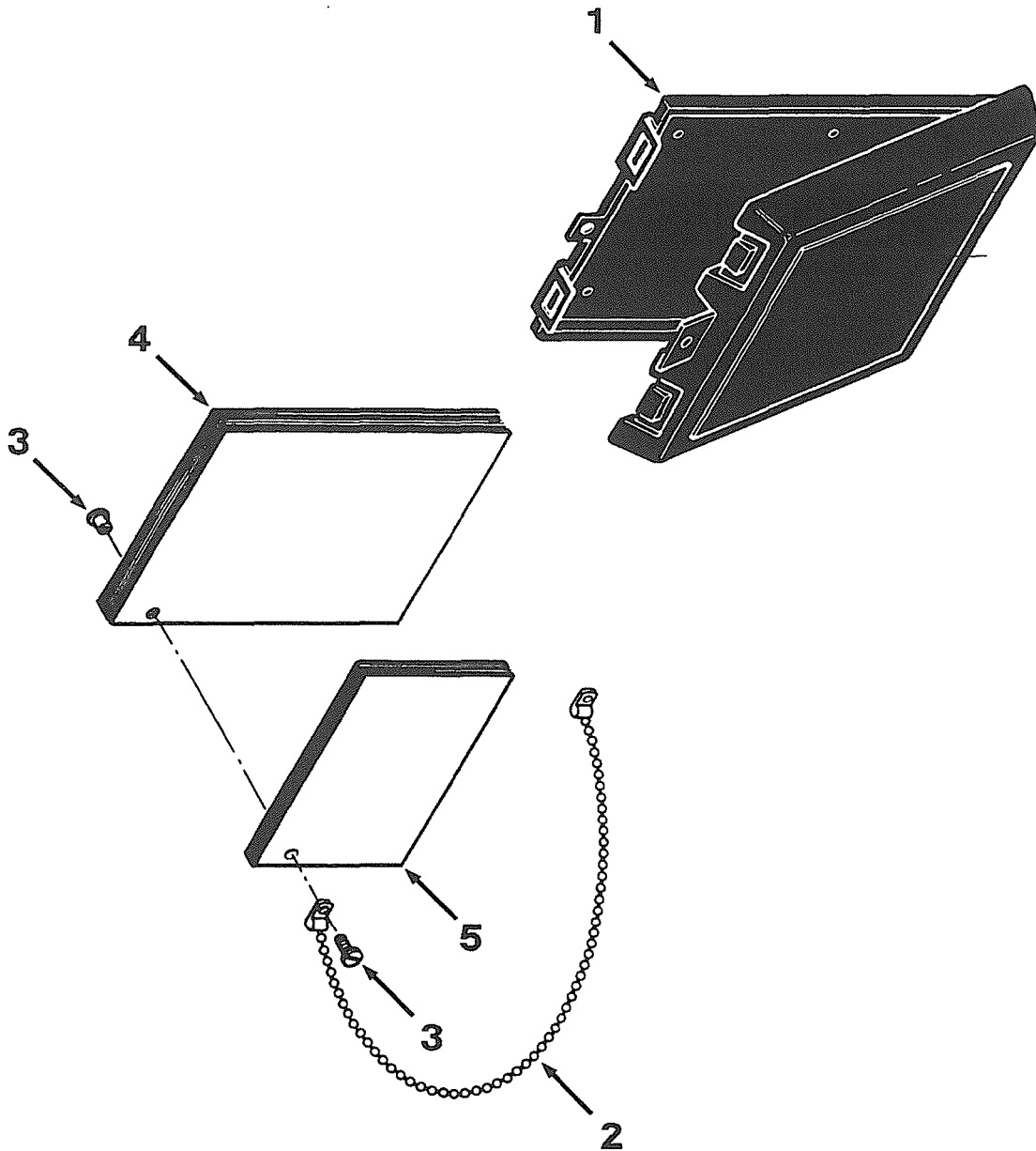
Item	Part Number	Description	Qty.	Ref.
------	-------------	-------------	------	------

F1 - PART NUMBER IS A NON-SERVICE PART AND IS LISTED FOR REFERENCE ONLY.
ORDER INDIVIDUAL PIECE PARTS.

F2 - CUT REQUIRED LENGTH FROM BULK EDGE TRIM 1262 660 H1.

SUPERSTRUCTURE

MANUAL CASE



KCAB0002

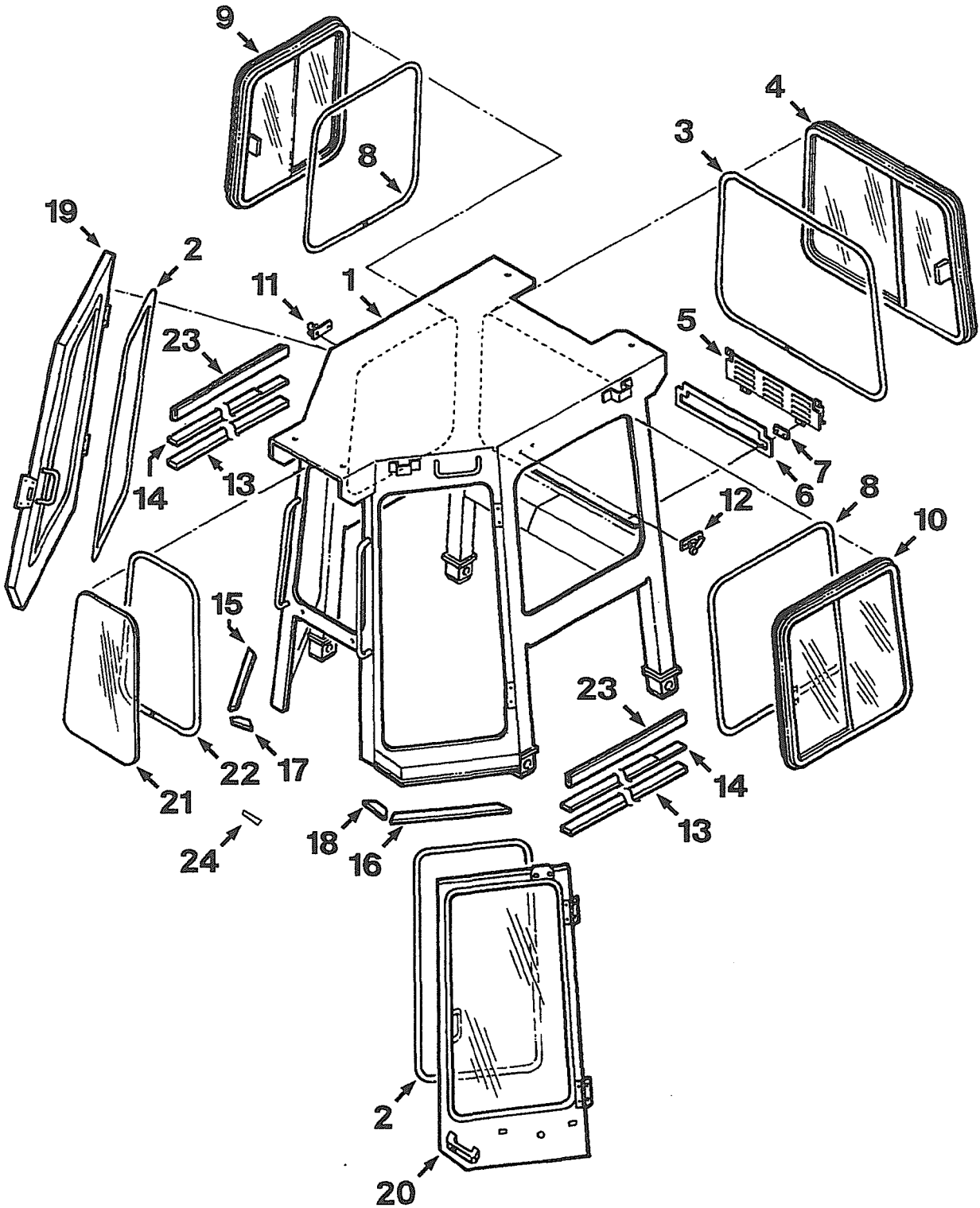
SUPERSTRUCTURE

MANUAL CASE

Item	Part Number	Description	Qty.	Ref.
1	1126 558 C1	CASE, MANUAL	1	
	274 957	SCREW, HEX - #10NCx3/4	4	
	120 217	WASHER, LOCK - #10	4	
	120 391	WASHER, FLAT - #10	4	
2	1129 092 C1	CHAIN, BEAD	1	
3	1129 094 C1	SCREW AND POST	1	
4		OPERATORS MANUAL	1	
5		SAFETY MANUAL	1	

SUPERSTRUCTURE

ROPS CAB - 1/19
COMPLETE ASSEMBLY



DCAB0084

SUPERSTRUCTURE

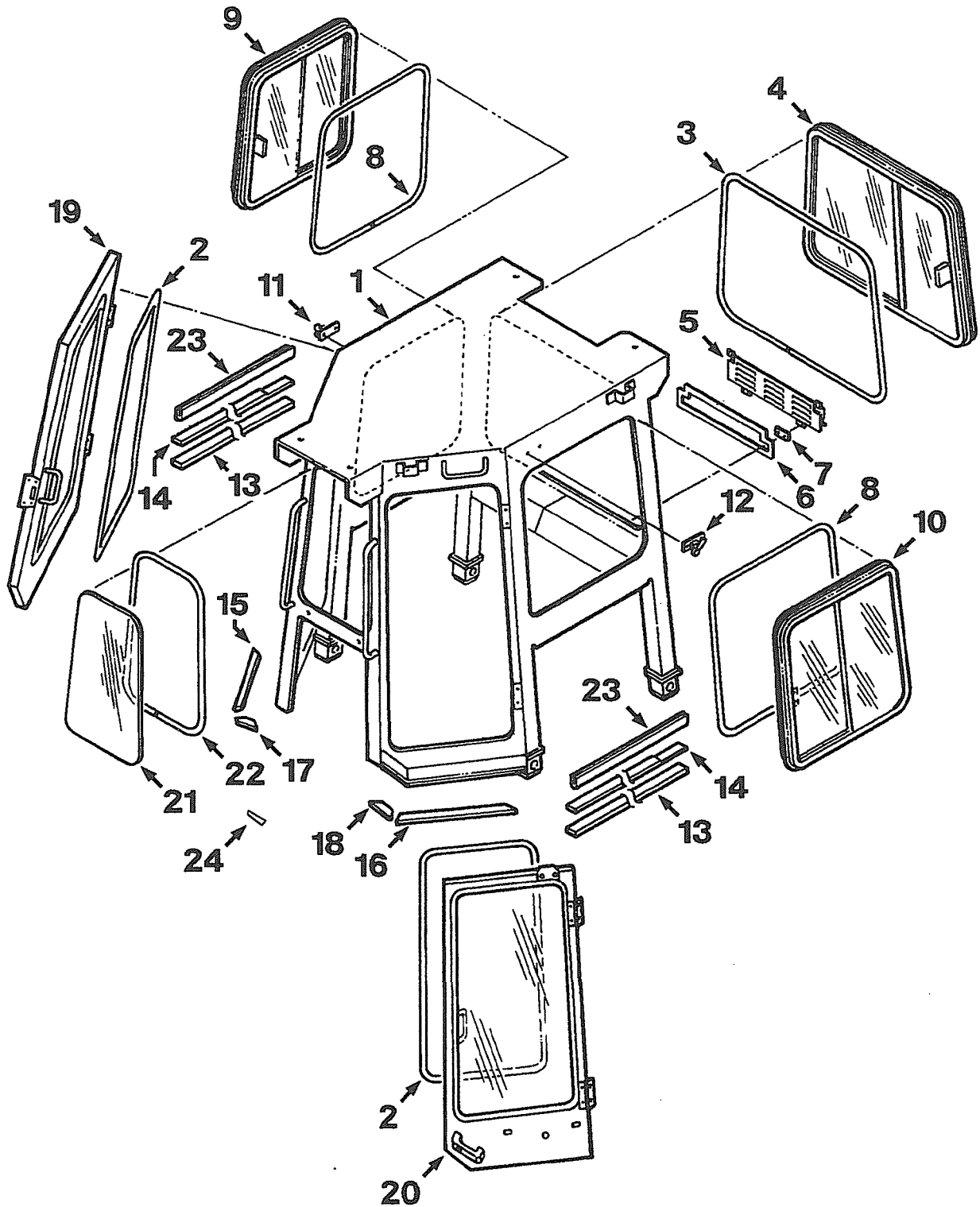
ROPS CAB - 1/19 COMPLETE ASSEMBLY

Item	Part Number	Description	Qty.	Ref.
	1311 626 H91	CAB ASSY, COMPLETE	1	
		.TOP COVERS AND INSULATION SEE PG 13-054	1	
		.SIDE COVERS AND INSULATION SEE PG 13-056	1	
1	1311 627 H91	.CAB, WELDMENT	1	
2	1300 527 H1	.SEAL, DOOR	2	
3		.SEAL, REAR WINDOW - 130 ^{IN} LONG	1	F1
4		.WINDOW, REAR SEE PG 13-060	1	
	1299 664 H92	.COVER ASSY, FILTER ACCESS	1	
5	NSS	..COVER, ACCESS	1	
6	1309 502 H1	..GASKET, COVER	1	
	931 827 R1	.BOLT, HEX - M6x16	4	
	30 325 R1	.WASHER, FLAT - M6	4	
	30 694 R1	.SCREW, LATCH - M5x16	4	
7	1300 833 H1	.PLATE, FILTER DOOR	4	
8		.SEAL, SIDE WINDOW - 120 ^{IN} LONG	2	F1
9		.WINDOW, RIGHT SEE PG 13-062	1	
10		.WINDOW, LEFT SEE PG 13-064	1	
11		.LOCK, RIGHT DOOR SEE PG 13-066	1	
	30 020 R1	.BOLT, HEX - M10x25	2	
	30 176 R1	.WASHER, FLAT - M10	2	
12		.LOCK, LEFT DOOR SEE PG 13-066	1	
	30 020 R1	.BOLT, HEX - M10x25	2	
	30 176 R1	.WASHER, FLAT - M10	2	
13	1304 405 H1	.GASKET, REAR SIDE LOWER	2	
14	1304 187 H1	.GASKET, REAR SIDE UPPER	2	
15	1304 404 H1	.GASKET, RIGHT DOOR REAR	1	
16	1300 609 H2	.GASKET, LEFT DOOR REAR	1	
17	1300 610 H2	.GASKET, RIGHT DOOR FRONT	1	
18	1300 611 H2	.GASKET, LEFT DOOR FRONT	1	
19		.DOOR, RIGHT ENTRY SEE PG 13-068	1	
	30 021 R1	.BOLT, HEX - M10x30	4	
	30 184 R1	.WASHER, FLAT - M10	4	
20		.DOOR, LEFT ENTRY SEE PG 13-072	1	
	30 021 R1	.BOLT; HEX - M10x30	4	
	30 184 R1	.WASHER, FLAT - M10	4	
21	1304 405 H1	.GLASS, FRONT	1	

CONTINUED ON NEXT PAGE

SUPERSTRUCTURE

ROPS CAB - 1/19
COMPLETE ASSEMBLY



DCAB0084

SUPERSTRUCTURE

ROPS CAB - 1/19
COMPLETE ASSEMBLY

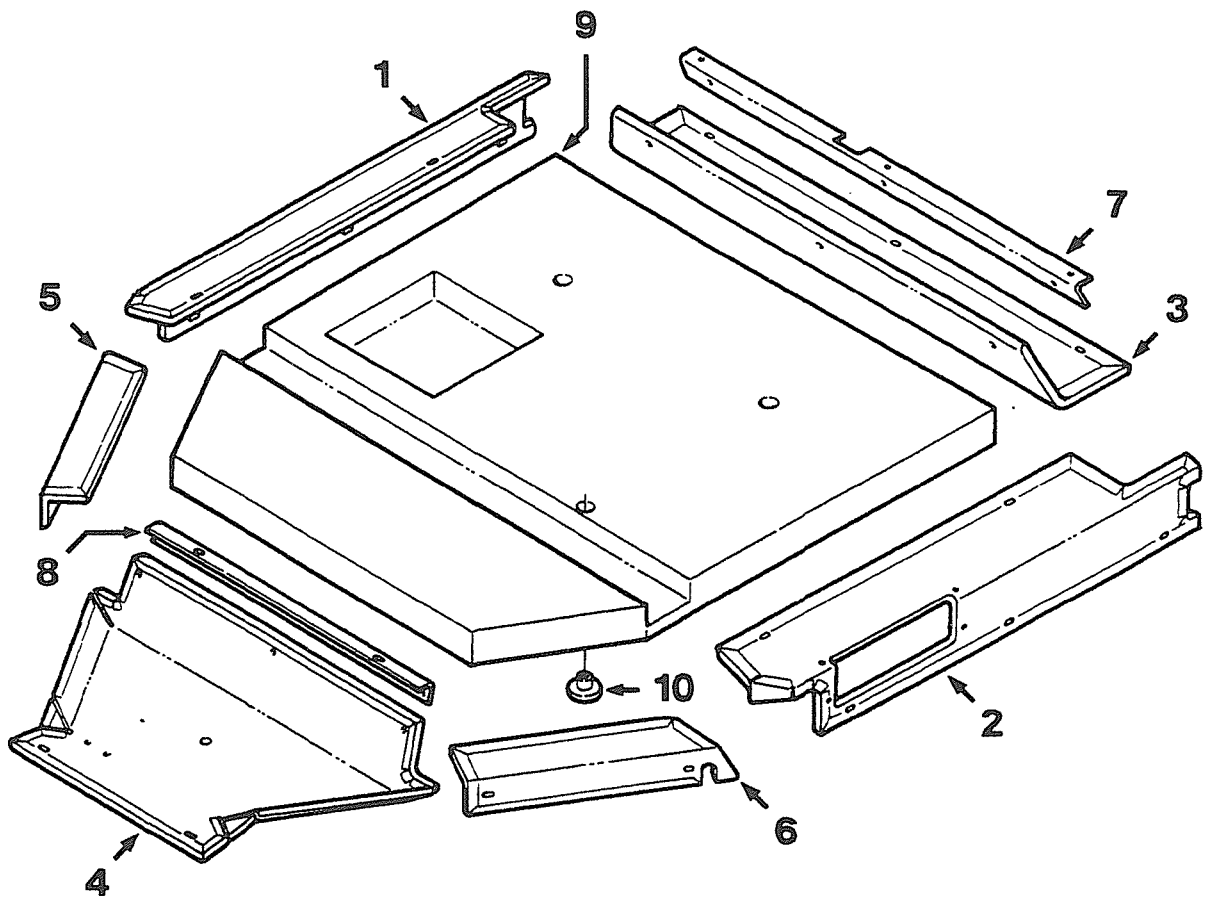
Item	Part Number	Description	Qty.	Ref.
22		.SEAL, FRONT GLASS - 90 IN LONG	1	F1
23		.TRIM, EDGE - 30 IN LONG	2	F2
24	1300 522 H1	.PLATE, CLOSURE	1	
	1301 319 H1	SEAL, BULK WINDOW	AR	
	1262 660 H1	TRIM, BULK EDGE	AR	

F1 - CUT REQUIRED LENGTH FROM BULK WINDOW SEAL 1301 319 H1.

F2 - CUT REQUIRED LENGTH FROM BULK EDGE TRIM 1262 660 H1.

SUPERSTRUCTURE

ROPS CAB - 2/19
HEADLINERS AND INSULATION



DCAB0002

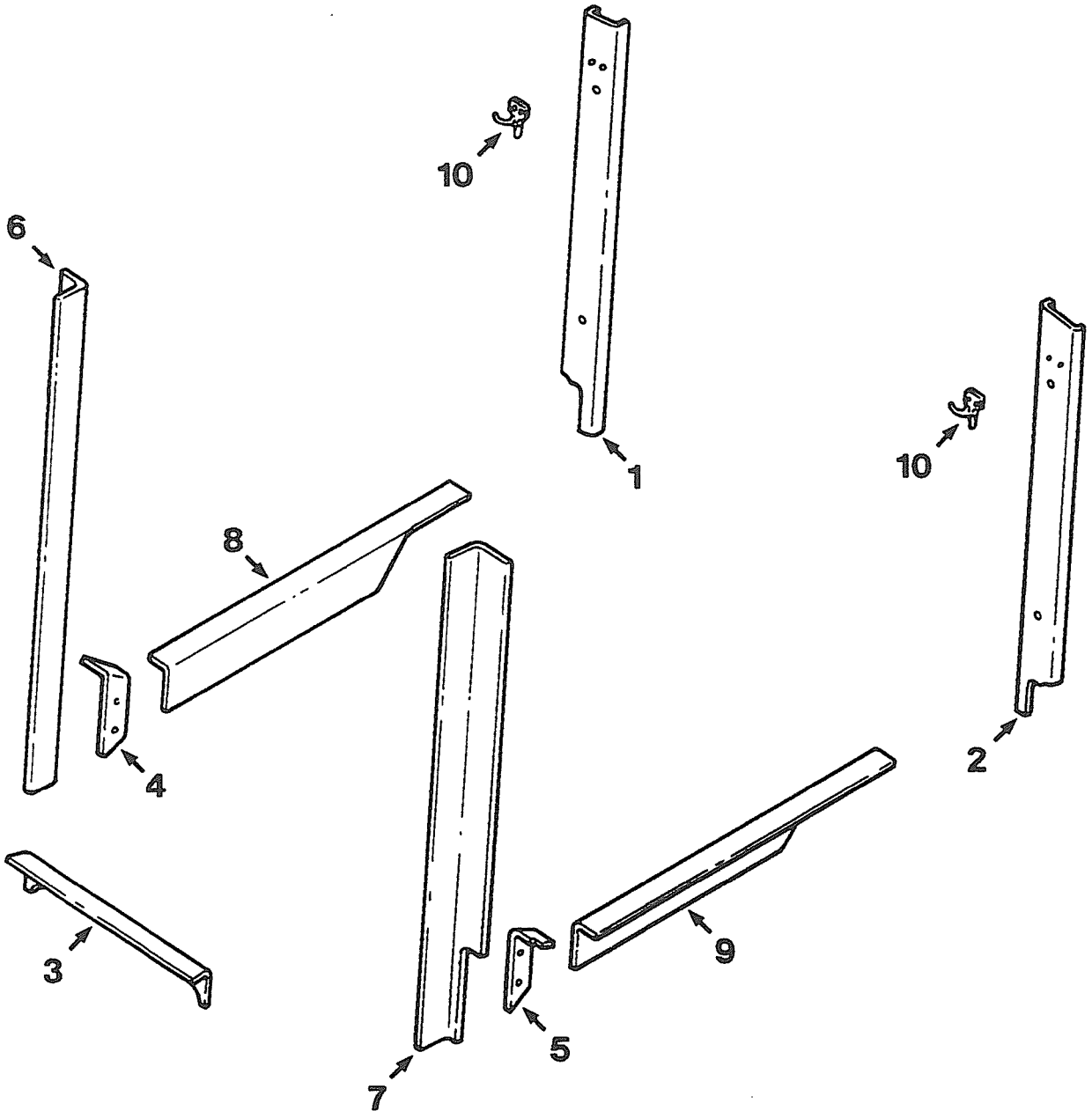
SUPERSTRUCTURE

ROPS CAB - 2/19 HEADLINERS AND INSULATION

Item	Part Number	Description	Qty.	Ref.
	1311 626 H91	CAB ASSY, COMPLETE	1	
1	1299 652 H91	.COVER, RIGHT UPPER REAR	1	
	31 006 R1	.SCREW, PAN HEAD - M6x16	5	
	1309 381 H1	.WASHER, CUP	5	
2	1299 653 H91	.COVER, LEFT UPPER REAR	1	
	31 006 R1	.SCREW, PAN HEAD - M6x16	5	
	1309 381 H1	.WASHER, CUP	5	
3	1299 654 H91	.COVER, REAR UPPER	1	
	31 006 R1	.SCREW, PAN HEAD - M6x16	6	
	1309 381 H1	.WASHER, CUP	6	
4	1299 655 H91	.COVER, FRONT CENTER	1	
	31 006 R1	.SCREW, PAN HEAD - M6x16	3	
	30 577 R1	.SCREW, PAN HEAD - M6x25	2	
	1309 381 H1	.WASHER, CUP	3	
	30 325 R1	.WASHER, FLAT - M6	2	
5	1299 656 H91	.GUARD, RIGHT FRONT	1	
	31 006 R1	.SCREW, PAN HEAD - M6x16	2	
	1309 381 H1	.WASHER, CUP	2	
6	1299 657 H91	.GUARD, LEFT FRONT	1	
	31 006 R1	.SCREW, PAN HEAD - M6x16	2	
	1309 381 H1	.WASHER, CUP	2	
7	1299 662 H91	.BRACKET, REAR	1	
	931 827 R1	.BOLT, HEX - M6x16	3	
	30 325 R1	.WASHER, FLAT - M6	3	
8	1299 663 H91	.BRACKET, FRONT	1	
	931 827 R1	.BOLT, HEX - M6x16	2	
	30 325 R1	.WASHER, FLAT - M6	2	
9	1300 521 H1	.HEADLINER	1	
10	1171 134 C2	.FASTENER, HEADLINER	4	

SUPERSTRUCTURE

ROPS CAB - 3/19 SIDE INSULATION AND COVERS



DCAB0003

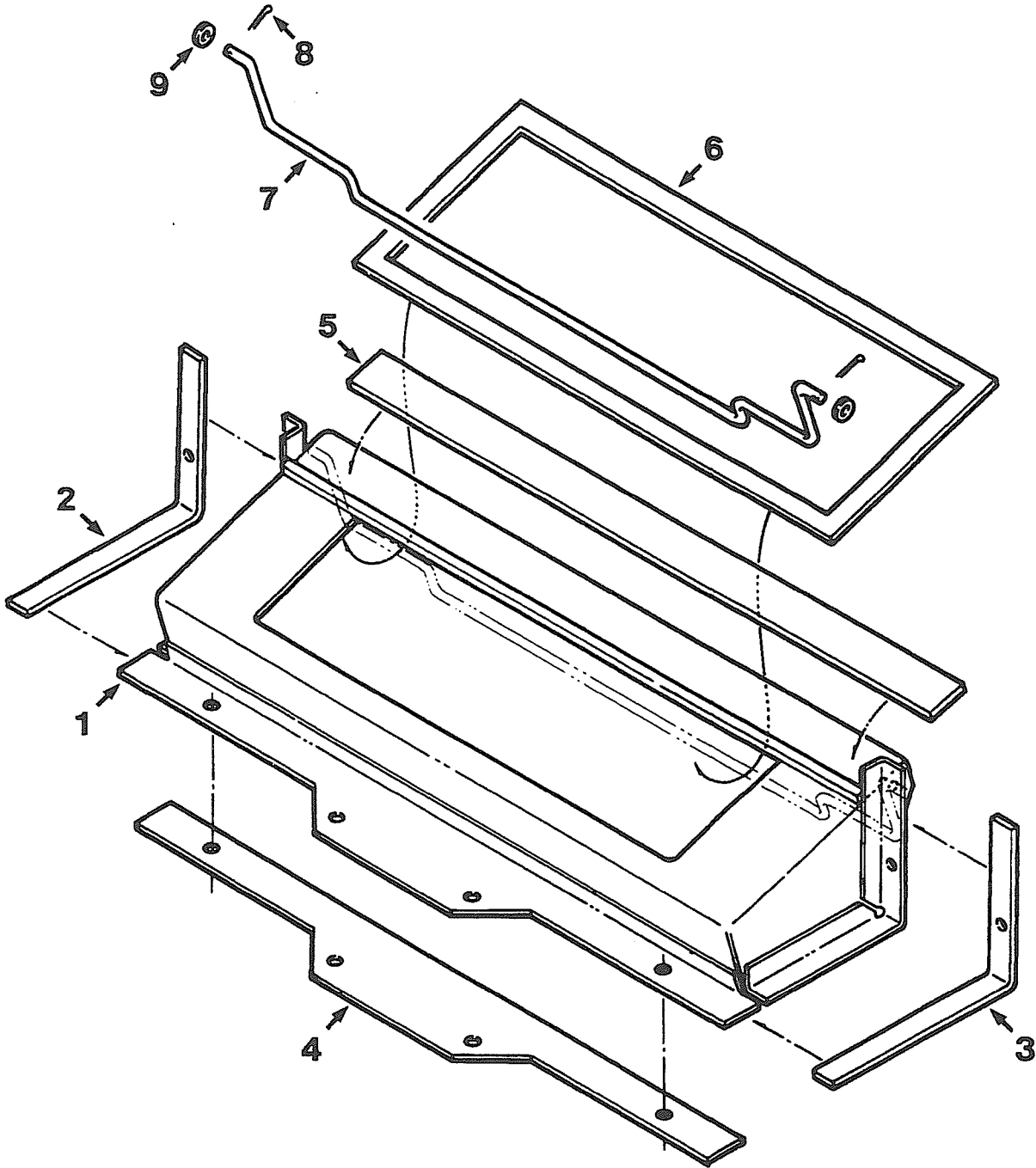
SUPERSTRUCTURE

ROPS CAB - 3/19 SIDE INSULATION AND COVERS

Item	Part Number	Description	Qty. Ref.
	1311 626 H91	CAB ASSY, COMPLETE	1
1	1299 658 H91	.COVER, RIGHT REAR	1
	31 006 R1	.SCREW, PAN HEAD - M6x16	2
	1309 381 H1	.WASHER, CUP	2
2	1299 659 H91	.COVER, LEFT REAR	1
	31 006 R1	.SCREW, PAN HEAD - M6x16	2
	1309 381 H1	.WASHER, CUP	2
3	1299 660 H91	.COVER, FRONT	1
	31 006 R1	.SCREW, PAN HEAD - M6x16	2
	1309 381 H1	.WASHER, CUP	2
4	1304 191 H91	.COVER, RIGHT	1
	31 006 R1	.SCREW, PAN HEAD - M6x16	2
	1309 381 H1	.WASHER, CUP	2
5	1304 192 H91	.COVER, RIGHT	1
	31 006 R1	.SCREW, PAN HEAD - M6x16	2
	1309 381 H1	.WASHER, CUP	2
6	1300 549 H1	.INSULATION, RIGHT	1
7	1300 550 H1	.INSULATION, LEFT	1
8	1300 604 H1	.INSULATION, RIGHT REAR	1
9	1300 605 H1	.INSULATION, LEFT REAR	1
10	1309 958 H1	.HOOK, COAT	2
	1309 612 H1	.SCREW	4

SUPERSTRUCTURE

ROPS CAB - 4/19
AIR FILTER BOX



KCAB0006

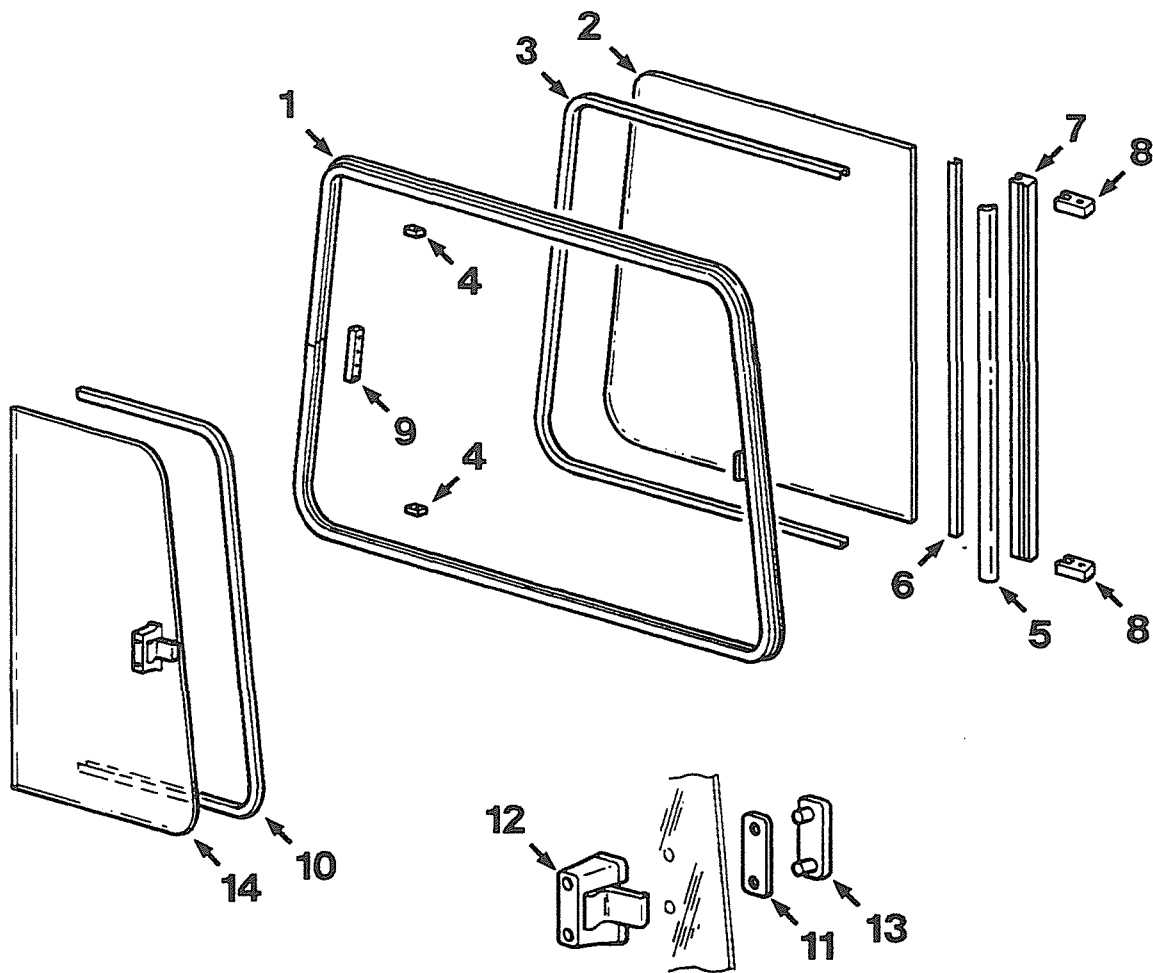
SUPERSTRUCTURE

ROPS CAB - 4/19
AIR FILTER BOX

Item	Part Number	Description	Qty.	Ref.
	1311 626 H91	CAB ASSY, COMPLETE	1	
	1311 675 H91	.BOX ASSY, AIR FILTER	1	
1	NSS	..BOX, FILTER	1	
2	1311 388 H1	..GASKET, RIGHT SIDE	1	
3	1311 389 H1	..GASKET, LEFT SIDE	1	
4	1311 687 H1	..GASKET, FRONT	1	
5	1304 391 H1	..GASKET, TOP REAR	1	
6	1300 561 H1	..GASKET, INSIDE	1	
7	1300 523 H2	..COUPLING, FILTER	1	
8	137 141	..PIN, COTTER	2	
9	30 325 R1	..WASHER, FLAT - M6	2	

SUPERSTRUCTURE

ROPS CAB - 5/19
REAR WINDOW



KCAB0007

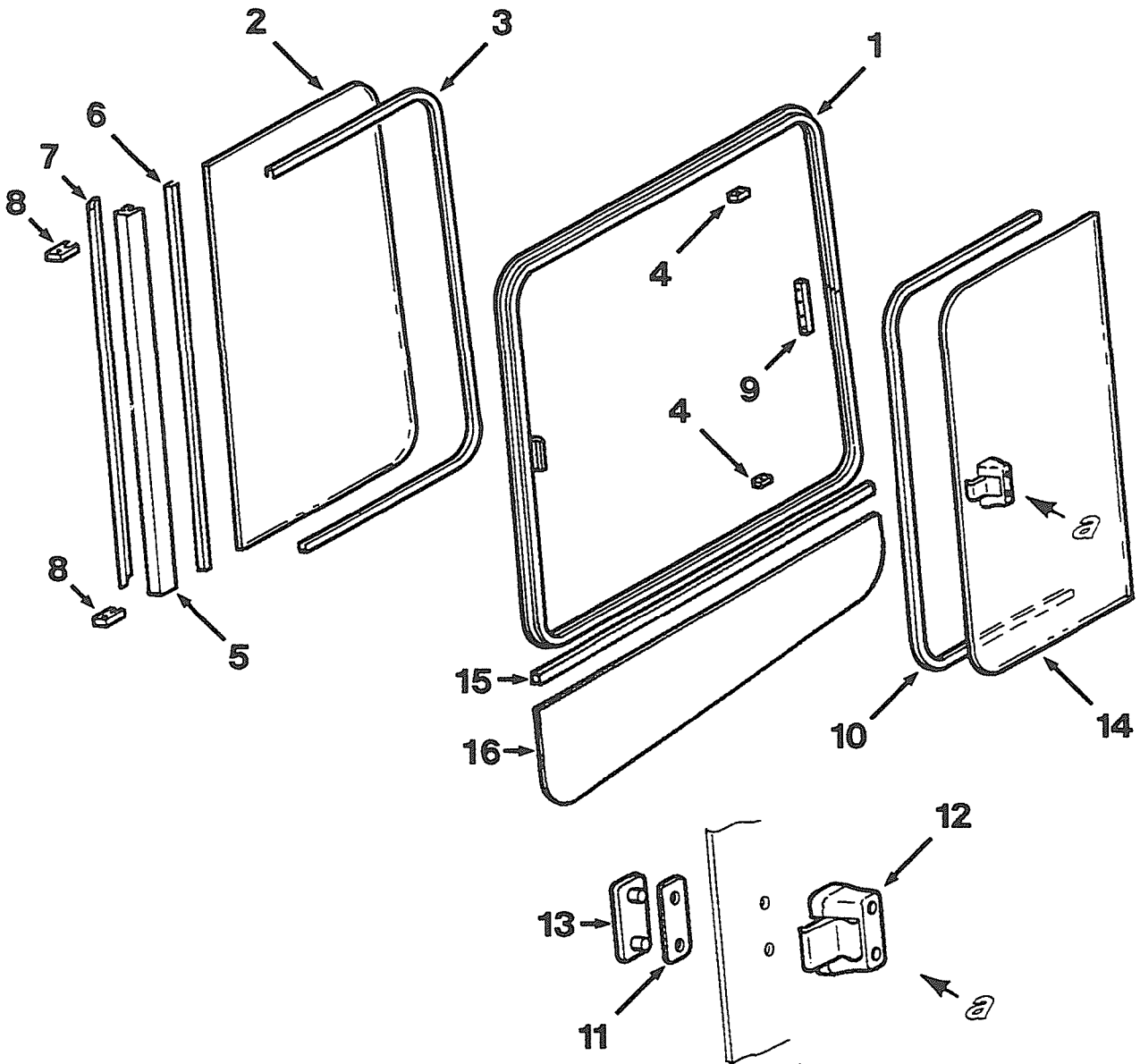
SUPERSTRUCTURE

ROPS CAB - 5/19
REAR WINDOW

Item	Part Number	Description	Qty.	Ref.
	1311 626 H91	CAB ASSY, COMPLETE	1	
	1304 351 H91	.WINDOW ASSY, REAR	1	
1	1304 354 H91	..FRAME, WINDOW	1	
2	1304 378 H1	..GLASS, STATIONERY	1	
3	1300 570 H1	..SEAL, GLASS	1	
4	1309 941 H1	..BLOCK, STOP	2	
	1309 918 H1	..SCREW - M4x16	2	
5	1300 563 H1	..FRAME, GLASS	1	
6	1300 574 H1	..SEAL, FRAME	1	
7	1300 577 H1	..SEAL, GLASS	1	
8	1300 567 H1	..BRACKET, KEEPER	2	
	1309 946 H1	..SCREW - M5x14	2	
9	1300 568 H1	..FASTENER, FRAME	1	
	1309 946 H1	..SCREW - M5x14	4	
10	1300 572 H1	..SEAL, INNER FRAME TRACT	1	
	1304 380 H91	..LATCH ASSY, WINDOW	1	
11	1304 381 H1	...GASKET, LATCH	1	
12	1309 242 H1	...LOCK, WINDOW	1	
13	1309 243 H1	...PLATE, MOUNTING	1	
	31 143 R1	...SCREW - M4x50	2	
14	1304 379 H1	..GLASS, SLIDING	1	

SUPERSTRUCTURE

ROPS CAB - 6/19
RIGHT WINDOW



DCAB0079

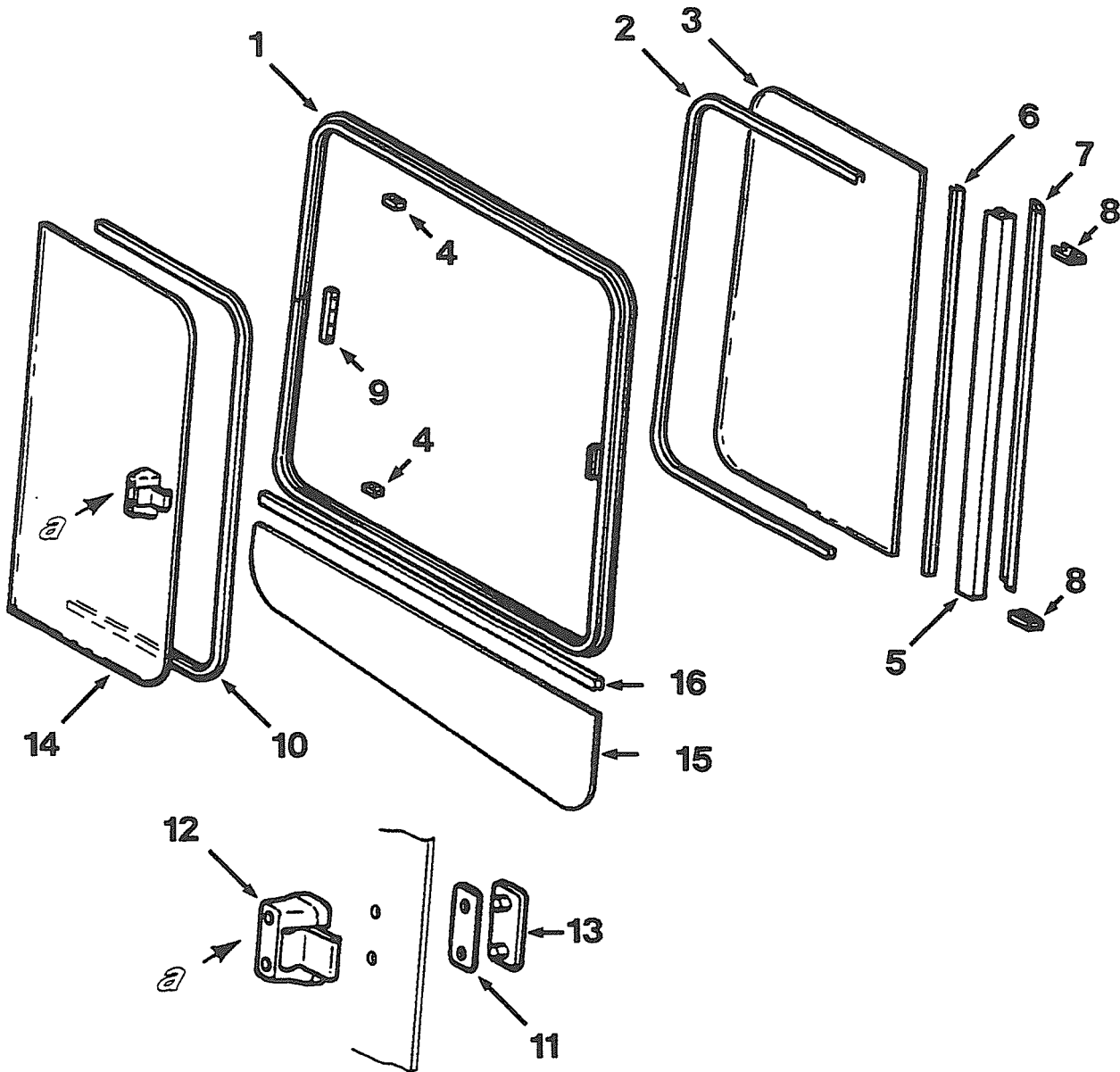
SUPERSTRUCTURE

ROPS CAB - 6/19
RIGHT WINDOW

Item	Part Number	Description	Qty.	Ref.
	1311 626 H91	CAB ASSY, COMPLETE	1	
	1311 631 H91	.WINDOW ASSY, RIGHT	1	
1	1311 633 H91	..FRAME, WINDOW	1	
2	1311 638 H1	..GLASS, STATIONERY	1	
3	1300 571 H1	..SEAL, GLASS	1	
4	1309 941 H1	..BLOCK, STOP	2	
	1309 918 H1	..SCREW - M4x16	1	
	1309 609 H1	..SCREW - M4x16	1	
5	1300 564 H1	..FRAME, GLASS	1	
6	1300 578 H1	..SEAL, FRAME	1	
7	1300 575 H1	..SEAL, GLASS	1	
8	1300 567 H1	..BRACKET, KEEPER	2	
	1309 946 H1	..SCREW - M5x14	2	
	30 918 R1	..SCREW - M4x10	1	
9	1300 568 H1	..FASTENER, FRAME	1	
	1309 946 H1	..SCREW - M5x14	4	
10	1300 573 H1	..SEAL, INNER FRAME TRACT	1	
	1304 380 H91	..LATCH ASSY, WINDOW	1	
11	1304 381 H1	...GASKET, LATCH	1	
12	1309 242 H1	...LOCK, WINDOW	1	
13	1309 243 H1	...PLATE, MOUNTING	1	
	31 143 R1	...SCREW - M4x50	2	
14	1311 639 H1	..GLASS, SLIDING	1	
15	1311 637 H1	..GLASS, BOTTOM	1	
16	1300 576 H1	..SEAL, BOTTOM GLASS	1	

SUPERSTRUCTURE

ROPS CAB - 7/19
LEFT WINDOW



DCAB0080

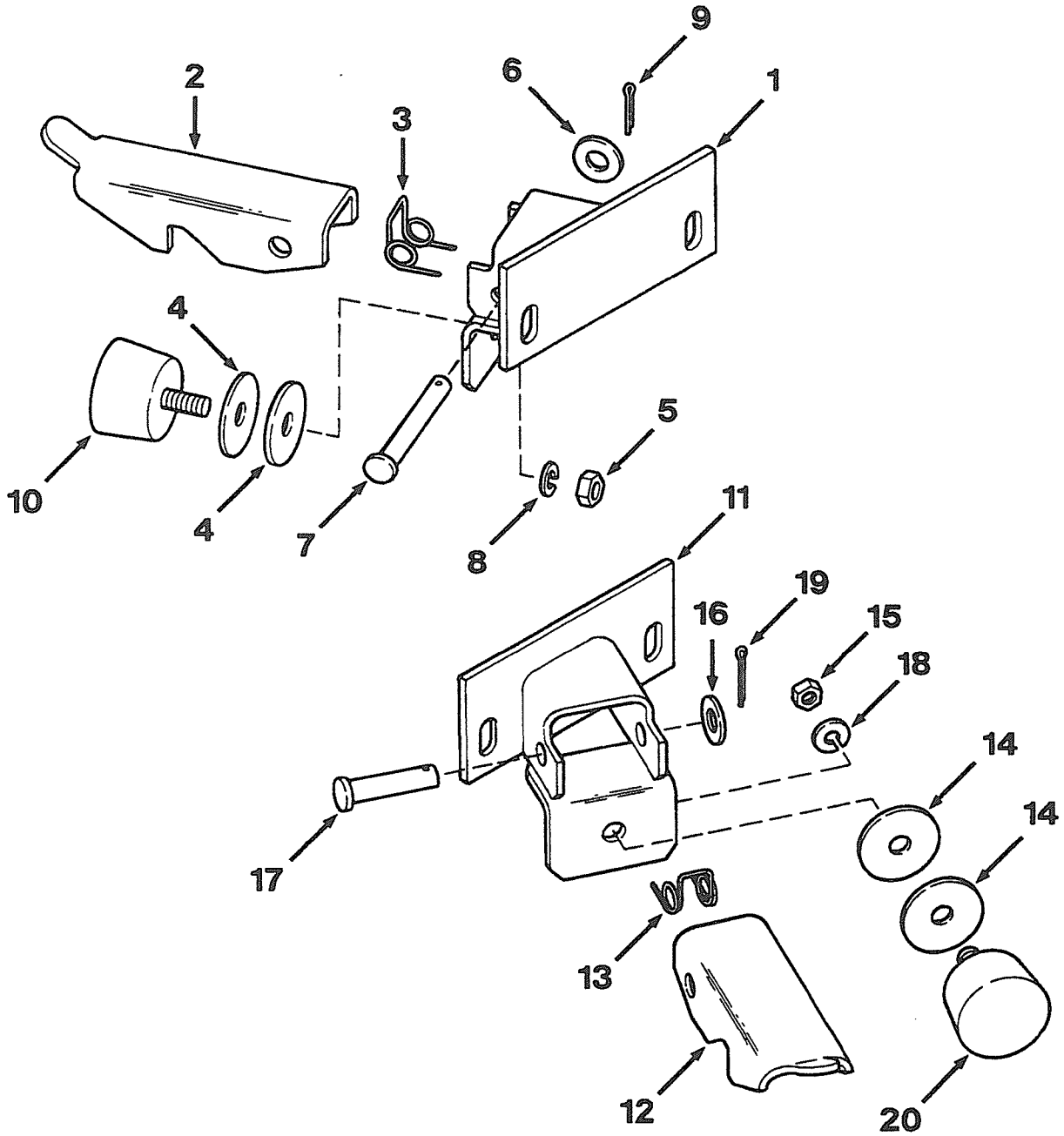
SUPERSTRUCTURE

ROPS CAB - 7/19 LEFT WINDOW

Item	Part Number	Description	Qty. Ref.
	1311 626 H91	CAB ASSY, COMPLETE	1
	1311 630 H91	..WINDOW ASSY, LEFT	1
1	1311 632 H91	..FRAME, WINDOW	1
2	1311 638 H1	..GLASS, STATIONERY	1
3	1300 571 H1	..SEAL, GLASS	1
4	1309 941 H1	..BLOCK, STOP	2
	1309 918 H1	..SCREW - M4x16	1
	1309 609 H1	..SCREW - M4x16	1
	1300 564 H1	..FRAME, GLASS	1
6	1300 578 H1	..SEAL, FRAME	1
7	1300 575 H1	..SEAL, GLASS	1
8	1300 567 H1	..BRACKET, KEEPER	2
	1309 946 H1	..SCREW - M5x14	2
	30 918 R1	..SCREW - M4x10	1
9	1300 568 H1	..FASTENER, FRAME	1
	1309 946 H1	..SCREW - M5x14	4
10	1300 573 H1	..SEAL, INNER FRAME TRACT	1
	1304 380 H91	..LATCH ASSY, WINDOW	1
11	1304 381 H1	...GASKET, LATCH	1
12	1309 242 H1	...LOCK, WINDOW	1
13	1309 243 H1	...PLATE, MOUNTING	1
	31 143 R1	...SCREW - M4x50	2
14	1311 639 H1	..GLASS, SLIDING	1
15	1311 637 H1	..GLASS, BOTTOM	1
16	1300 576 H1	..SEAL, BOTTOM GLASS	1

SUPERSTRUCTURE

ROPS CAB - 8/19
DOOR LOCKS



KCAB0010

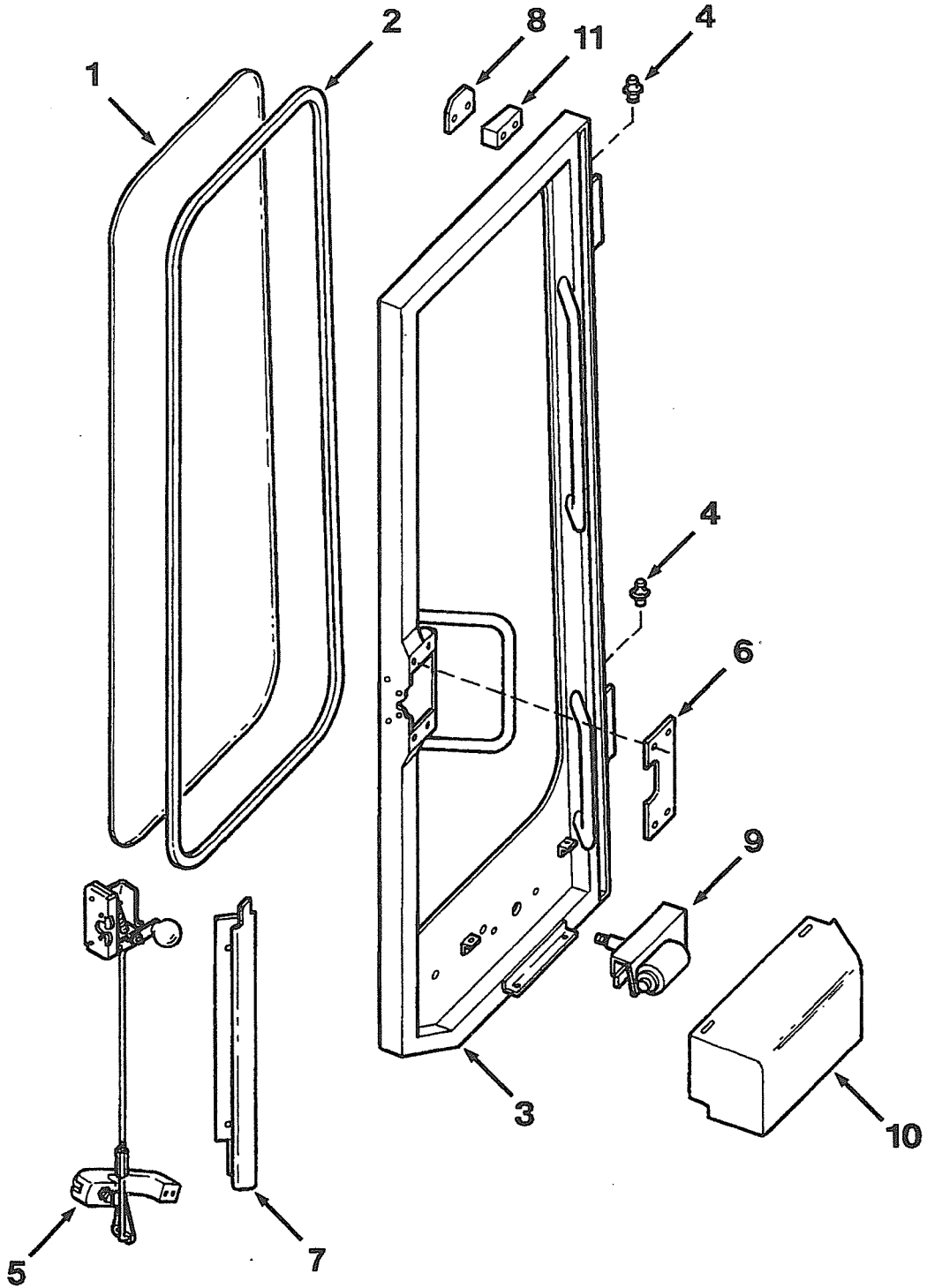
SUPERSTRUCTURE

ROPS CAB - 8/19 DOOR LOCKS

Item	Part Number	Description	Qty. Ref.
	1311 626 H91	CAB ASSY, COMPLETE	1
	1299 665 H91	.LOCK ASSY, RIGHT DOOR	1
1	1300 676 H91	..BRACKET, MOUNTING	1
2	1300 660 C1	..PAWL, LOCKING	1
3	1300 665 H1	..SPRING, TENSION	1
4	1300 553 H1	..WASHER, RUBBER STOP	2
5	25 520 R1	..NUT, HEX - 5/16NC	1
6	25 534 R1	..WASHER, FLAT - 3/8	1
7	21 037 R1	..PIN, CLEVIS - 3/8x2-1/2	1
8	120 214	..WASHER, LOCK - 5/16	1
9	103 373	..PIN, COTTER - 3/32x3/4	1
10	736 173 C1	..BUMPER, RUBBER STOP	1
	1299 666 H91	.LOCK ASSY, LEFT DOOR	1
11	1300 675 H91	..BRACKET, MOUNTING	1
12	1300 660 C1	..PAWL, LOCKING	1
13	1300 665 H1	..SPRING, TENSION	1
14	1300 553 H1	..WASHER, RUBBER STOP	2
15	25 520 R1	..NUT, HEX - 5/16NC	1
16	25 534 R1	..WASHER, FLAT - 3/8	1
17	21 037 R1	..PIN, CLEVIS - 3/8x2-1/2	1
18	120 214	..WASHER, LOCK - 5/16	1
19	103 373	..PIN, COTTER - 3/32x3/4	1
20	736 173 C1	..BUMPER, RUBBER STOP	1

SUPERSTRUCTURE

ROPS CAB - 9/19
RIGHT ENTRY DOOR



DCAB0081

SUPERSTRUCTURE

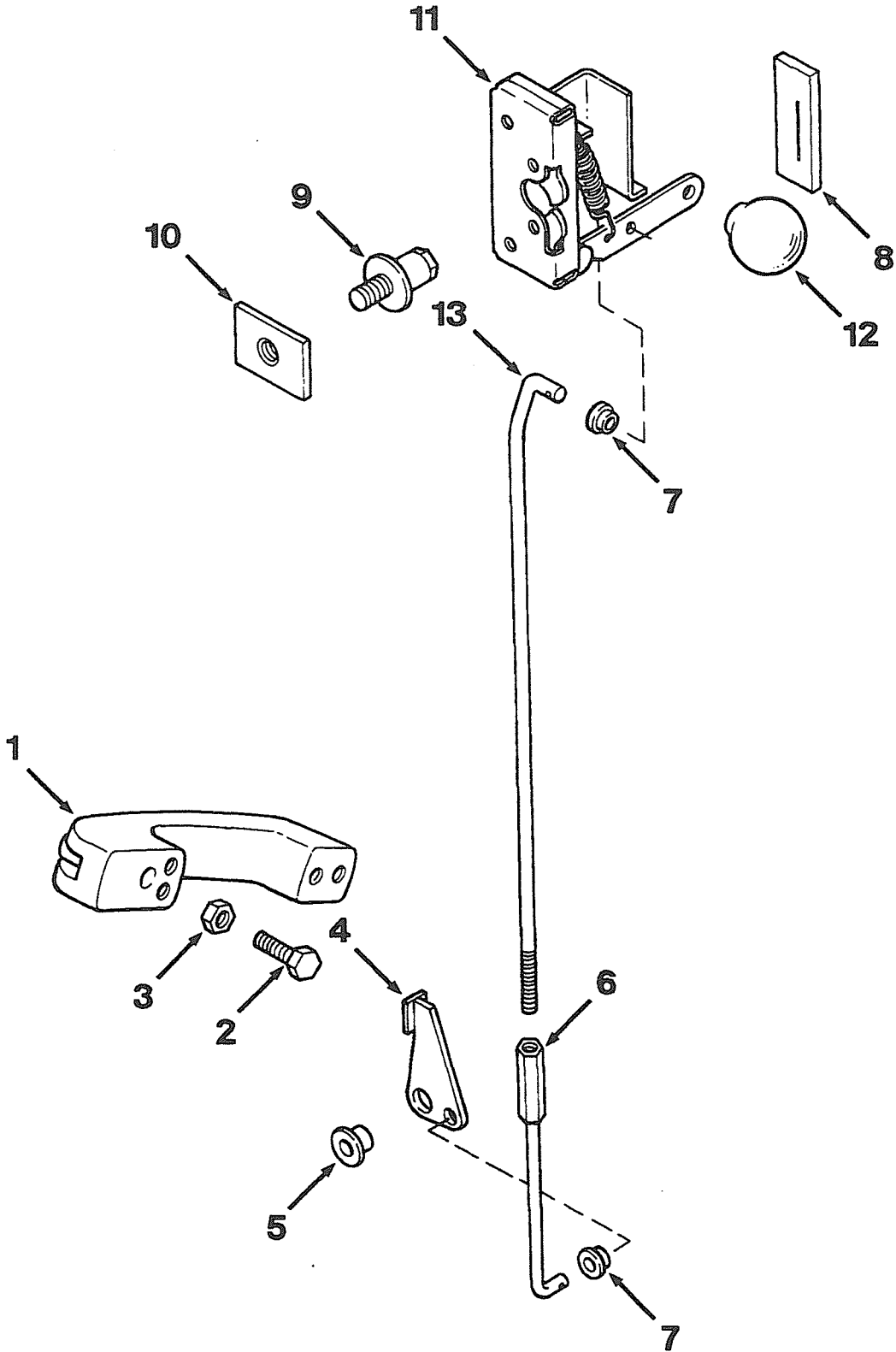
ROPS CAB - 9/19 RIGHT ENTRY DOOR

Item	Part Number	Description	Qty.	Ref.
	1311 626 H91	CAB ASSY, COMPLETE	1	
1	1311 636 H1	.GLASS, DOOR	1	
2		.SEAL, DOOR GLASS - 132.5 ^{IN} LONG	1	F1
	1311 629 H91	.DOOR ASSY, RIGHT ENTRY	1	
3	NSS	.DOOR, ENTRY	1	
4	273 355	.FITTING, LUBE	1	
5		.LINKAGE, RIGHT DOOR SEE PG 13-070	1	
6	1300 535 H1	.COVER, LATCH	1	
	931 828 R1	.BOLT, HEX - M6x20	4	
	30 325 R1	.WASHER, FLAT - M6	4	
7	1300 854 H1	.GUARD, LINKAGE	1	
	931 828 R1	.BOLT, HEX - M6x20	4	
	30 325 R1	.WASHER, FLAT - M6	4	
8	1300 552 H1	.PLATE, LOCK	1	
	30 021 R1	.BOLT, HEX - M10x30	2	
	30 176 R1	.WASHER, FLAT - M10	2	
9		.MOTOR, WIPER SEE PG 13-090	1	
10	1309 334 H1	.GUARD, WIPER MOTOR	1	
11	1300 551 H1	.BLOCK, LOCK PLATE	1	
	31 006 R1	.SCREW, PAN HEAD - M6x16	4	
	934 948 C1	.WASHER, FLAT - M6	4	
	1301 319 H1	SEAL, BULK WINDOW	AR	

F1 - CUT REQUIRED LENGTH FROM BULK WINDOW SEAL 1301 319 H1.

SUPERSTRUCTURE

ROPS CAB - 10/19 RIGHT ENTRY DOOR LINKAGE



KCAB0012

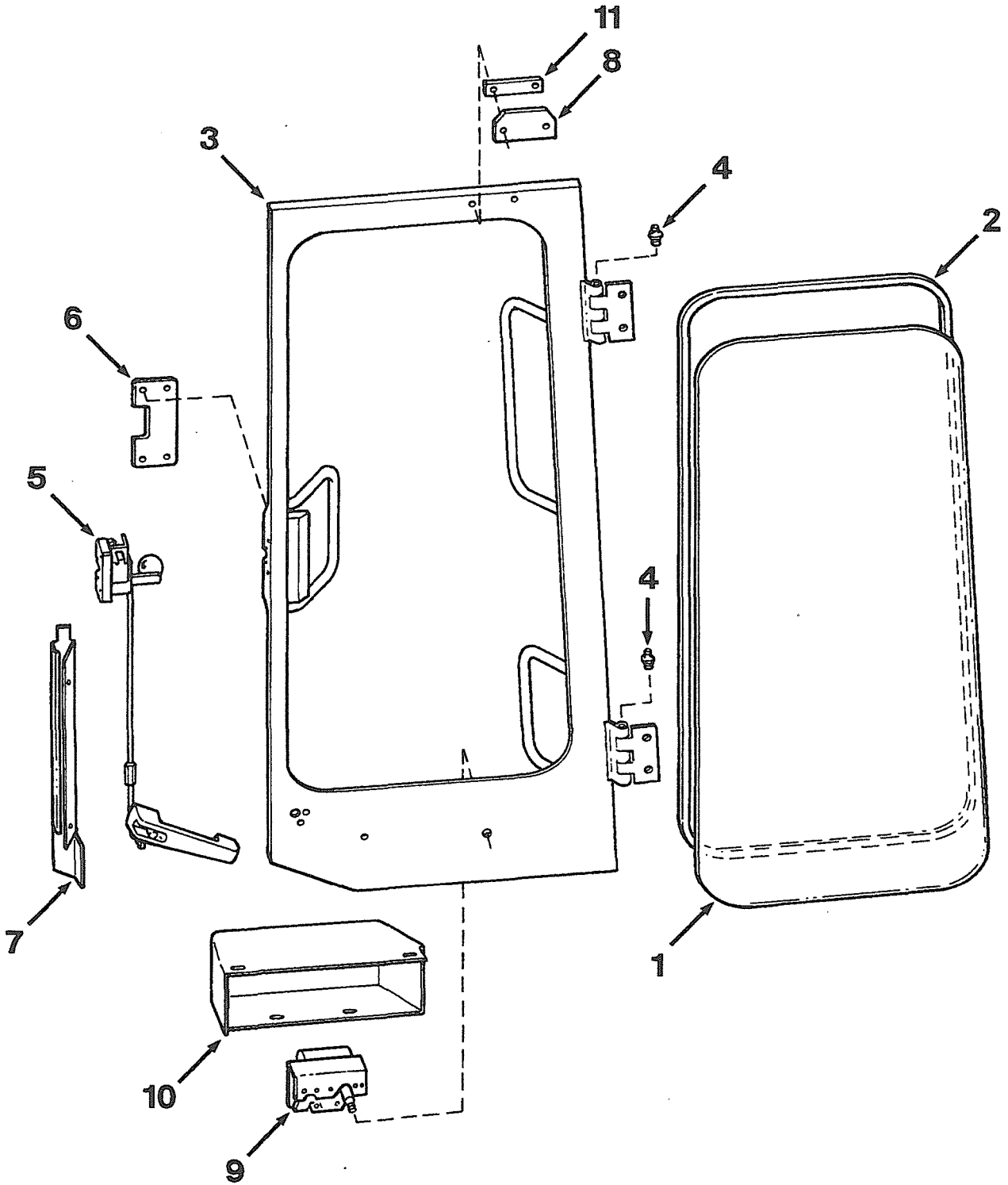
SUPERSTRUCTURE

ROPS CAB - 10/19 RIGHT ENTRY DOOR LINKAGE

Item	Part Number	Description	Qty. Ref.
	1311 626 H91	CAB ASSY, COMPLETE	1
1	1301 832 H1	.HANDLE WITH KEY	1
	931 827 R1	.BOLT, HEX - M6x16	3
	30 325 R1	.WASHER, FLAT - M6	3
2	180 034	.BOLT, HEX - 1/4NCx1-1/2	1
3	120 375	.NUT, HEX - 1/4NC	1
4	1299 671 H91	.LEVER, ACTUATOR	1
5	1300 541 H1	.BUSHING, MOUNTING	1
	931 827 R1	.BOLT, HEX - M6x16	1
6	1299 672 H91	.ROD, LOWER RELEASE	1
	30 481 R1	.WASHER, FLAT - M5	1
	137 141	.PIN, COTTER	1
7	1300 542 H1	.BUSHING, LEVER	2
8	1304 347 H1	.GASKET, LATCH	1
9	1139 538 C1	.STUD, LATCH	1
10	1299 670 H91	.BRACKET, LATCH STUD	1
11	1298 602 H1	.LATCH, DOOR	1
	156 327	.SCREW, FLATHEAD - 1/4NCx1-1/4	4
12	1281 061 H1	.KNOB, DOOR RELEASE	1
	180 120	.BOLT, HEX - 3/8NCx3/4	1
	25 709 R1	.WASHER, FLAT - 3/8	1
13	1300 856 H1	.ROD, UPPER RELEASE	1
	30 481 R1	.WASHER, FLAT - M5	1
	137 141	.PIN, COTTER	1
	934 871 R1	.NUT, HEX - M5	1

SUPERSTRUCTURE

ROPS CAB - 11/19
LEFT ENTRY DOOR



DCAB0082

SUPERSTRUCTURE

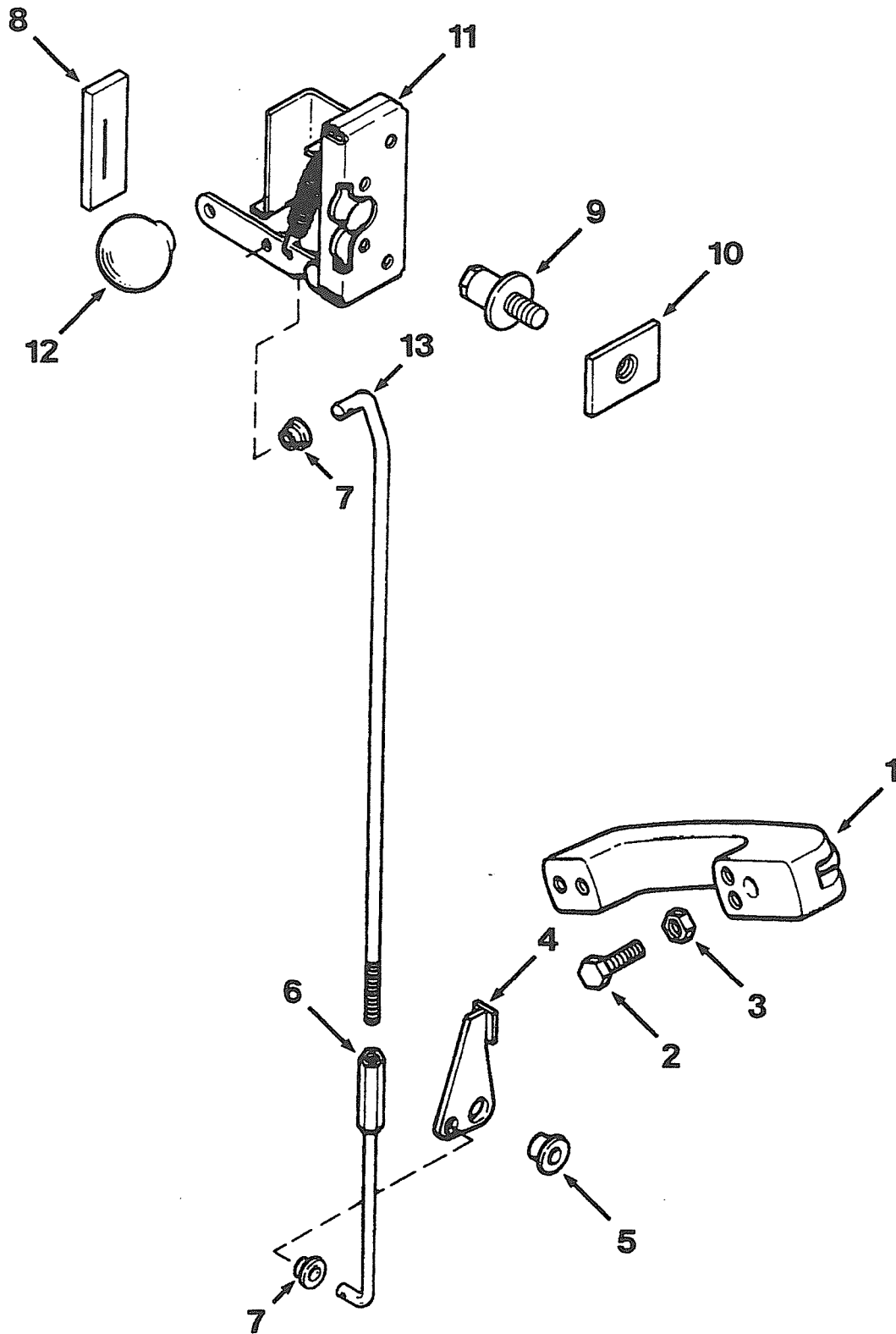
ROPS CAB - 11/19 LEFT ENTRY DOOR

Item	Part Number	Description	Qty.	Ref.
	1311 626 H91	CAB ASSY, COMPLETE	1	
1	1311 636 H1	.GLASS, DOOR	1	
2		.SEAL, DOOR GLASS - 132.5 ^{IN} LONG	1	F1
	1311 628 H91	.DOOR ASSY, LEFT ENTRY	1	
3	NSS	..DOOR, ENTRY	1	
4	273 355	..FITTING, LUBE	1	
5		.LINKAGE, LEFT DOOR SEE PG 13-074	1	
6	1300 535 H1	.COVER, LATCH	1	
	931 828 R1	.BOLT, HEX - M6x20	4	
	30 325 R1	.WASHER, FLAT - M6	4	
7	1300 855 H1	.GUARD, LINKAGE	1	
	931 828 R1	.BOLT, HEX - M6x20	4	
	30 325 R1	.WASHER, FLAT - M6	4	
8	1300 552 H1	.PLATE, LOCK	1	
	30 021 R1	.BOLT, HEX - M10x30	2	
	30 176 R1	.WASHER, FLAT - M10	2	
9		.MOTOR, WIPER SEE PG 13-088	1	
10	1309 335 H1	.GUARD, WIPER MOTOR	1	
	31 006 R1	.SCREW, PAN HEAD - M6x16	4	
	934 948 C1	.WASHER, FLAT - M6	4	
11	1300 551 H1	.BLOCK, LOCK PLATE	1	
	1301 319 H1	SEAL, BULK WINDOW	AR	

F1 - CUT REQUIRED LENGTH FROM BULK WINDOW SEAL 1301 319 H1.

SUPERSTRUCTURE

ROPS CAB - 12/19 LEFT ENTRY DOOR LINKAGE



KCAB0014

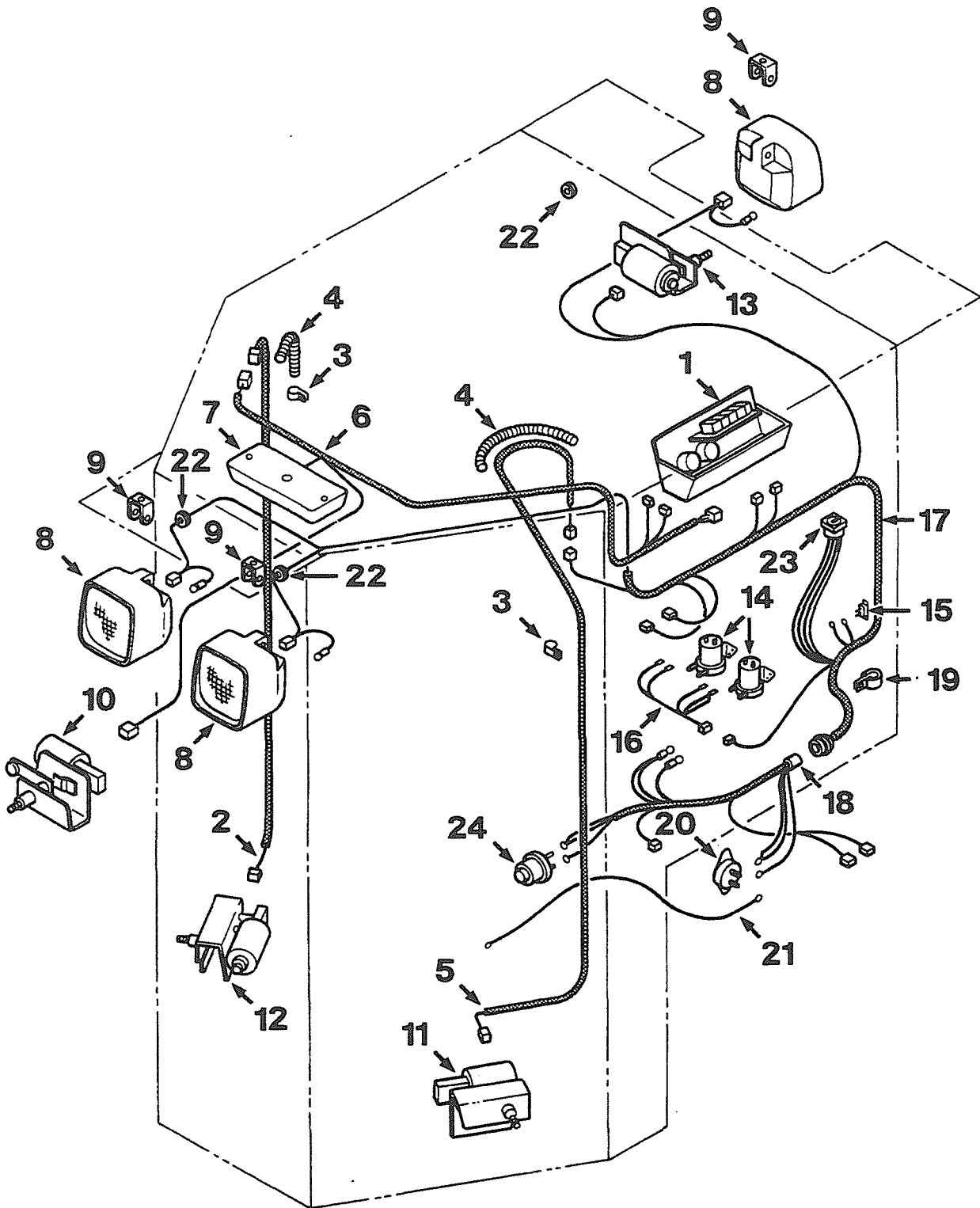
SUPERSTRUCTURE

ROPS CAB - 12/19 LEFT ENTRY DOOR LINKAGE

Item	Part Number	Description	Qty.	Ref.
	1311 626 H91	CAB ASSY, COMPLETE	1	
1	1301 832 H1	.HANDLE WITH KEY	1	
	931 827 R1	.BOLT, HEX - M6x16	3	
	30 325 R1	.WASHER, FLAT - M6	3	
2	180 034	.BOLT, HEX - 1/4NCx1-1/2	1	
3	120 375	.NUT, HEX - 1/4NC	1	
4	1299 671 H91	.LEVER, ACTUATOR	1	
5	1300 541 H1	.BUSHING, MOUNTING	1	
	931 827 R1	.BOLT, HEX - M6x16	1	
6	1299 672 H91	.ROD, LOWER RELEASE	1	
	30 481 R1	.WASHER, FLAT - M5	1	
	137 141	.PIN, COTTER	1	
7	1300 542 H1	.BUSHING, LEVER	2	
8	1304 347 H1	.GASKET, LATCH	1	
9	1139 538 C1	.STUD, LATCH	1	
10	1299 670 H91	.BRACKET, LATCH STUD	1	
11	1298 601 H1	.LATCH, DOOR	1	
	156 327	.SCREW, FLATHEAD - 1/4NCx1-1/4	4	
12	1281 061 H1	.KNOB, DOOR RELEASE	1	
	180 120	.BOLT, HEX - 3/8NCx3/4	1	
	25 709 R1	.WASHER, FLAT - 3/8	1	
13	1300 857 H1	.ROD, UPPER RELEASE	1	
	30 481 R1	.WASHER, FLAT - M5	1	
	137 141	.PIN, COTTER	1	
	934 871 R1	.NUT, HEX - M5	1	

SUPERSTRUCTURE

ROPS CAB - 13/19 WIRING



KCAB0015

SUPERSTRUCTURE

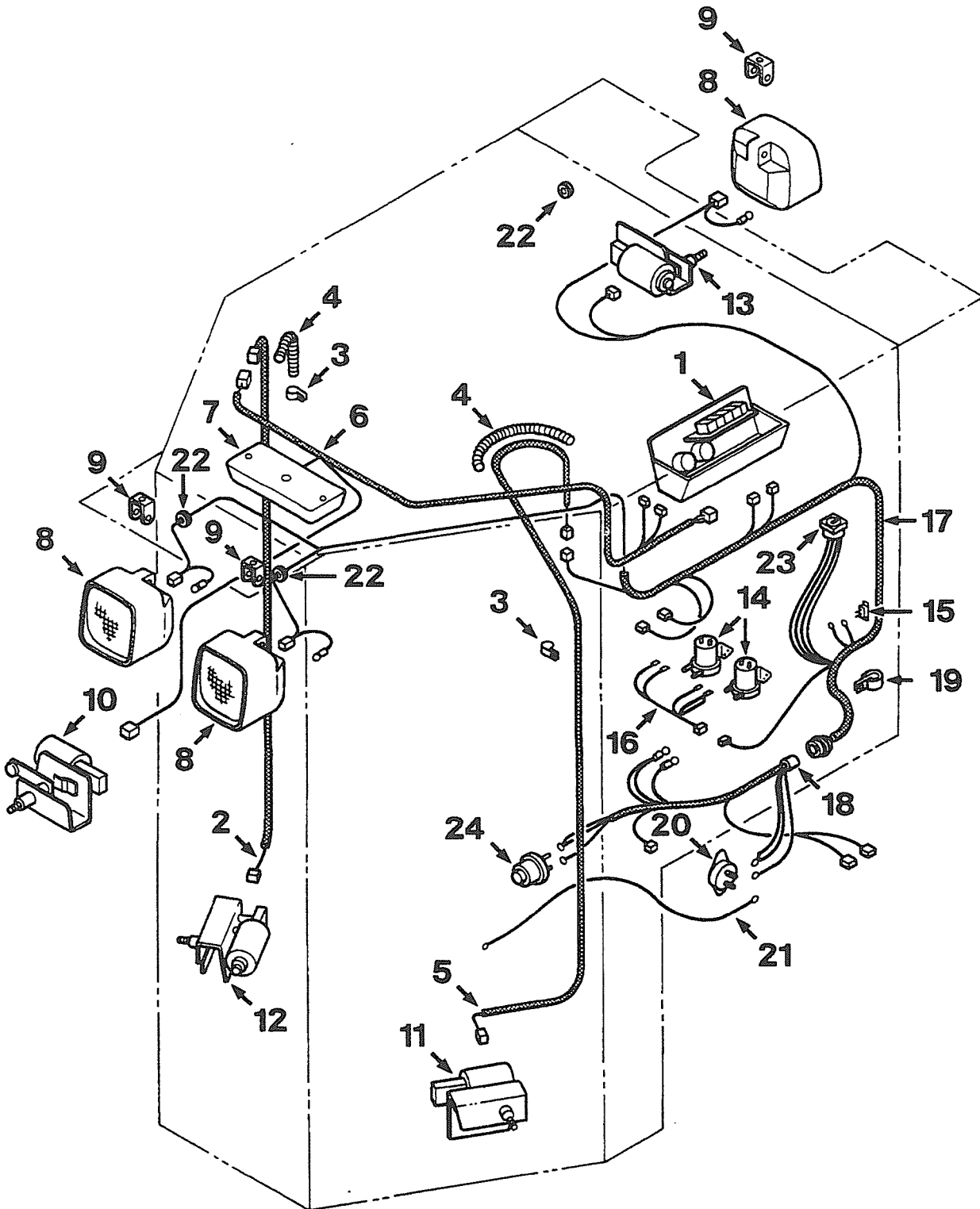
ROPS CAB - 13/19 WIRING

Item	Part Number	Description	Qty.	Ref.
	1311 626 H91	CAB ASSY, COMPLETE	1	
1		.PANEL, CONTROL SEE PG 13-080	1	
	31 006 R1	.SCREW, PAN HEAD - M6x16	4	
	934 948 R1	.WASHER, FLAT - M6	4	
2	1304 334 H91	.HARNESS, RIGHT DOOR	1	
3	1309 331 H1	.CLIP, HARNESS	2	
	1309 615 H1	.SCREW	4	
	30 289 R1	.WASHER, FLAT - M4	4	
4	1311 682 H91	.SPRING, GUARD	2	
5	1304 335 H91	.HARNESS, LEFT DOOR	1	
6	1304 332 H91	.HARNESS, FRONT	1	
7	1309 333 H91	.LIGHT, OVERHEAD	1	
	1309 615 H1	.SCREW	2	
	30 289 R1	.WASHER, FLAT - M4	2	
8		.LIGHT, WORK SEE PG 13-082	3	
9	1281 358 H1	.BRACKET, LIGHT	3	
	931 830 R1	.BOLT, HEX - M8x20	3	
	931 841 R1	.BOLT, HEX - M8x50	3	
10		.WIPER MOTOR, FRONT CENTER SEE PG 13-088	1	
	26 080 R1	.BOLT, HEX - 1/4NFx1/2	1	
	120 380	.WASHER, LOCK - 1/4	1	
11		.WIPER MOTOR, FRONT LEFT SEE PG 13-088	1	
	26 080 R1	.BOLT, HEX - 1/4NFx1/2	1	
	120 380	.WASHER, LOCK - 1/4	1	
12		.WIPER MOTOR, FRONT RIGHT SEE PG 13-090	1	
	26 080 R1	.BOLT, HEX - 1/4NFx1/2	1	
	120 380	.WASHER, LOCK - 1/4	1	
13		.WIPER MOTOR, REAR SEE PG 13-092	1	
	26 080 R1	.BOLT, HEX - 1/4NFx1/2	1	
	120 380	.WASHER, LOCK - 1/4	1	
14		.PUMP, WASHER SEE PG 13-086	2	
15	70 928	.BREAKER, CIRCUIT - 20 AMP	1	
	1309 611 H1	.SCREW	2	
	30 264 R1	.WASHER, LOCK - M5	1	
16	1304 338 H91	.HARNESS, WASHER PUMP	1	
17	1311 679 H91	.HARNESS, CAB	1	

CONTINUED ON NEXT PAGE

SUPERSTRUCTURE

ROPS CAB - 13/19 WIRING



KCAB0015

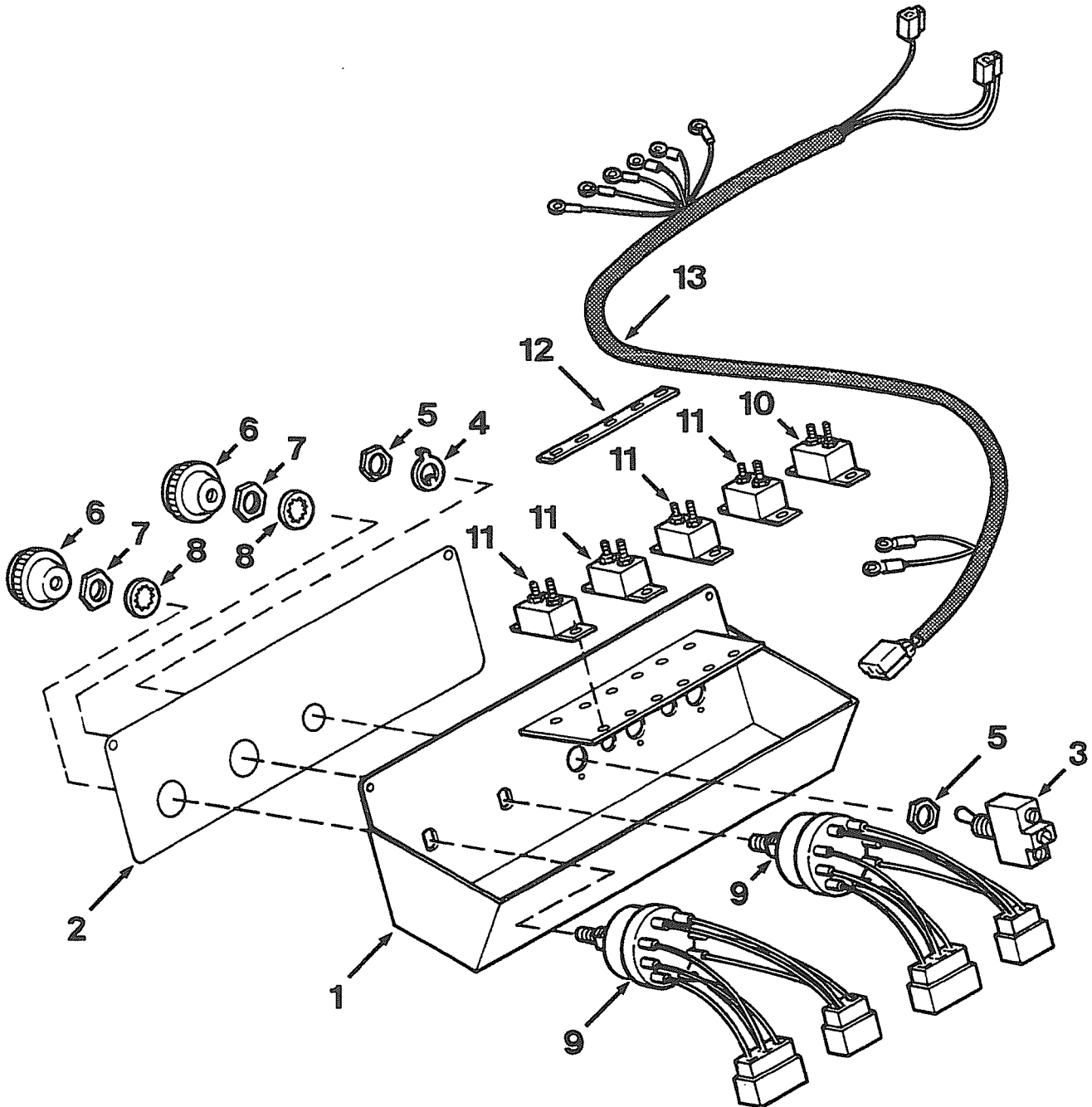
SUPERSTRUCTURE

ROPS CAB - 13/19 WIRING

Item	Part Number	Description	Qty.	Ref.
18	1311 680 H91	.HARNES, CAB POWER	1	
	1309 900 H1	.SCREW, GROUND	1	
	933 833 R1	.WASHER, FLAT	1	
	459 330 C1	.WASHER, LARGE LOCK	1	
	459 329 C1	.NUT, CONNECTOR	1	
19	114 217 R1	.CLIP, WIRING	1	
20	213 383 H1	.BREAKER, CIRCUIT - 50 AMP	1	
	159 957	.SCREW, PAN HEAD	2	
	30 264 R1	.WASHER, LOCK - M5	2	
21	1311 681 H91	.CABLE, MAG SWITCH	1	
	935 522 C1	.STRAP, TIE	AR	
22	187 540	.GROMMET, RUBBER	3	
23		SWITCH, HEATER	1	SEE PG 13-094
24		SWITCH, MASTER	1	SEE PG 08-010

SUPERSTRUCTURE

ROPS CAB - 14/19
CONTROL PANEL



KCAB0016

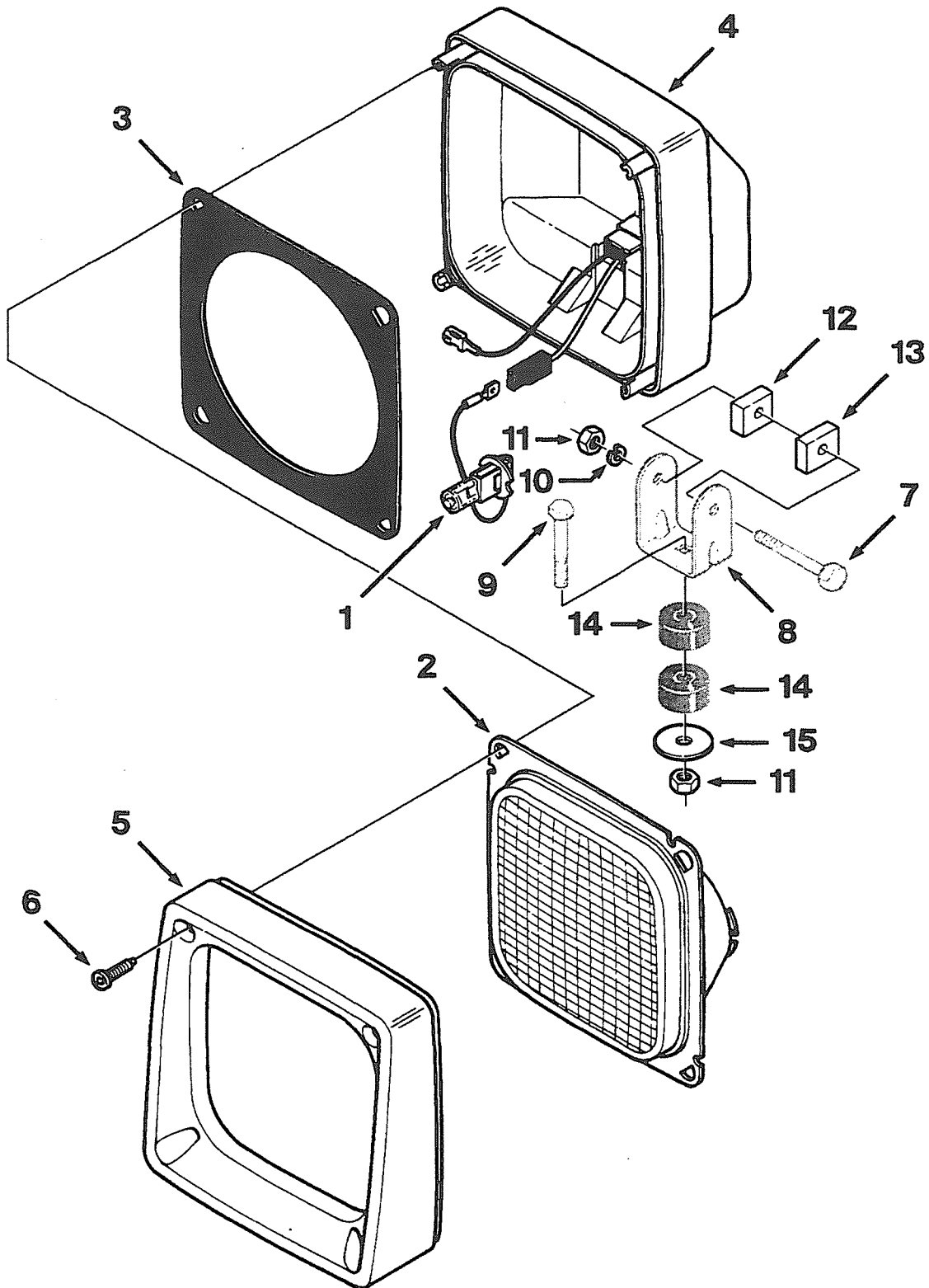
SUPERSTRUCTURE

ROPS CAB - 14/19 CONTROL PANEL

Item	Part Number	Description	Qty.	Ref.
	1311 626 H91	CAB ASSY, COMPLETE	1	
	1304 329 H91	.PANEL ASSY, CONTROL	1	
1	NSS	..PANEL, CONTROL	1	
2	1304 342 H1	..PRODUCT GRAPHIC, PANEL	1	
	162 964 H1	..SWITCH ASSY, OVERHEAD LIGHT	1	
3	NSS	...SWITCH, TOGGLE	1	
4	NSS	...RING, LOCK	1	
5	NSS	...NUT, HEX	2	
	1304 489 H91	..SWITCH, WIPER WASHER	2	
6	NSS	...KNOB, SWITCH	1	
	NSS	...RING, RETAINING	1	
7	NSS	...NUT, HEX	1	
8	NSS	...RING, MOUNTING	1	
9	NSS	...SWITCH	1	
10	1432 615 H1	..BREAKER, CIRCUIT - 6 AMP	1	
	436 750	..SCREW, PAN HEAD - #10-32x1/2	2	
	120 217	..WASHER, LOCK - #10	2	
	120 614	..NUT, HEX - #10-32	2	
11	91 726	..BREAKER, CIRCUIT - 15 AMP	4	
	436 750	..SCREW, PAN HEAD - #10-32x1/2	8	
	120 217	..WASHER, LOCK - #10	8	
	120 614	..NUT, HEX - #10-32	8	
12	1211 619 H1	..BAR, 5 HOLE BUZZ	1	
13	1304 331 H91	..HARNESS, PANEL	1	

SUPERSTRUCTURE

ROPS CAB - 15/19
WORK LIGHT



C08BH009

SUPERSTRUCTURE

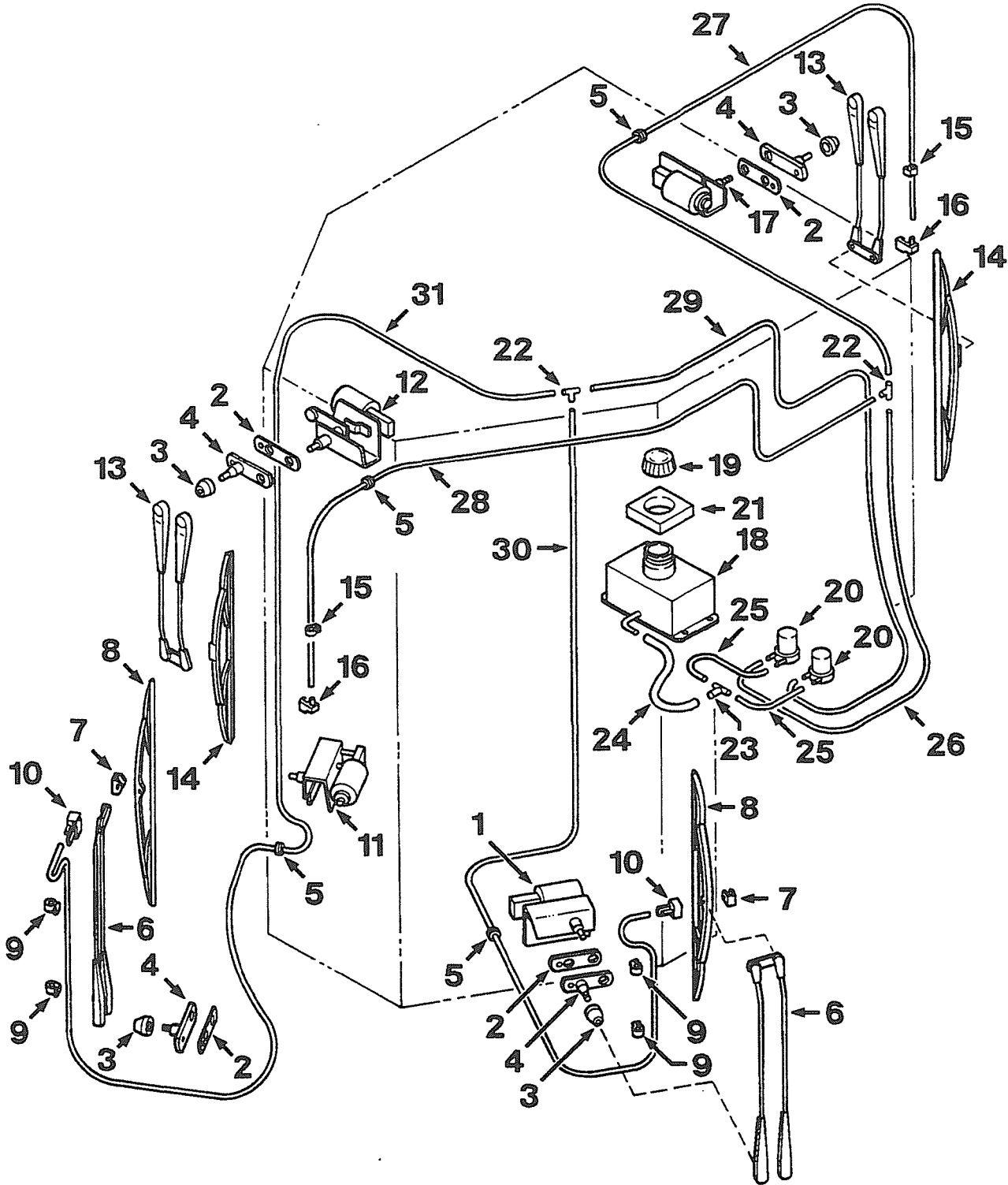
ROPS CAB - 15/19 WORK LIGHT

Item	Part Number	Description	Qty.	Ref.
	1259 012 H92	LIGHT ASSY, WORK	3	
1	1211 794 H2	.BULB	1	
2	1252 780 H1	.REFLECTOR, LENS	1	
3	1252 781 H1	.GASKET	1	
4	NSS	.HOUSING	1	
5	1252 782 H1	.BEZEL	1	
6	1252 783 H1	.SCREW	4	
7	NSS	.BOLT	1	F1
8	NSS	.BRACKET	1	F1
9	NSS	.BOLT	1	F1
10	NSS	.WASHER, LOCK	2	
11	NSS	.NUT	2	
12	NSS	.SPACER, RUBBER	1	
	NSS	.SPACER, ZINC CROSS	1	
13	NSS	.SPACER, RUBBER	1	
	NSS	.SPACER, ZINC CROSS	1	
14	1253 070 H1	.DAMPER, VIBRATION	2	F1
15	NSS	.WASHER	1	

F1 - PART OF WORK LIGHT, NOT USED IN THIS APPLICATION.

SUPERSTRUCTURE

ROPS CAB - 16/19 WIPERS AND WASHERS



KCAB0017

SUPERSTRUCTURE

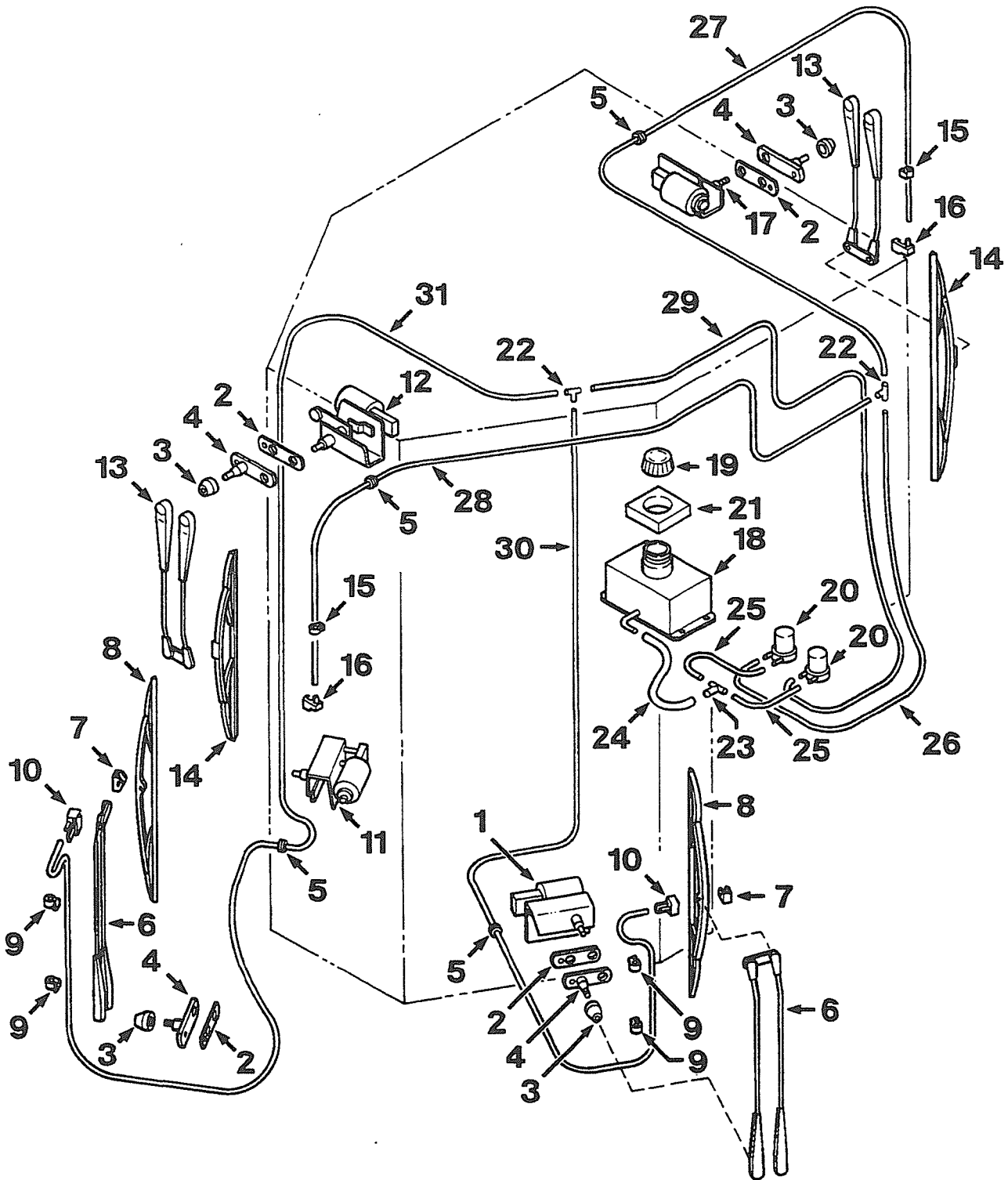
ROPS CAB - 16/19 WIPERS AND WASHERS

Item	Part Number	Description	Qty. Ref.
	1311 626 H91	CAB ASSY, COMPLETE	1
1		.WIPER, LOWER LEFT SEE PG 13-088	1
	26 080 R1	.BOLT, HEX - 1/4NFx1/2	1
	120 380	.WASHER, LOCK - 1/4	1
	1200 799 H91	.PIVOT ASSY, SLAVE	1
2	1211 748 H1	..GASKET, PIVOT	1
3	1211 750 H1	..CAP, PIVOT	1
	1211 749 H1	..WASHER, FLAT	1
	30 167 R1	..NUT, HEX - M8	1
4	NSS	..PIVOT, SLAVE	1
	26 080 R1	.BOLT, HEX - 1/4NFx1/2	4
	120 380	.WASHER, LOCK - 1/4	4
	120 613	.NUT, JAM - 1/4NF	4
5	109 390	.GROMMET, RUBBER	4
6	1209 654 H1	.ARM, LOWER WIPER	2
	1209 655 H1	.BLADE ASSY, WIPER	2
7	1280 699 H1	..CLAMP, MOUNTING	1
	1280 698 H1	..BOLT, SHOULDER	1
	30/8 617 R1	..WASHER, FLAT	1
	1280 697 H1	..WASHER, LOCK	1
	933 763 R1	..NUT, HEX - M4	1
8	NSS	..BLADE, WIPER	1
9	1210 371 H1	.CLIP, WIPER ARM	2
10	1210 134 H1	.NOZZLE, WASHER	2
11		.WIPER, LOWER RIGHT SEE PG 13-090	1
	26 080 R1	.BOLT, HEX - 1/4NFx1/2	1
	120 380	.WASHER, LOCK - 1/4	1
12		.WIPER, FRONT CENTER SEE PG 13-088	1
	26 080 R1	.BOLT, HEX - 1/4NFx1/2	1
	120 380	.WASHER, LOCK - 1/4	1
13	1232 861 H1	.ARM, WIPER	2
14	1251 450 H1	.BLADE, WIPER	2
15	1200 801 H1	.CLIP, HOSE	2
16	1200 800 H1	.NOZZLE, WASHER	2
17		.WIPER, REAR SEE PG 13-092	1
	26 080 R1	.BOLT, HEX - 1/4NFx1/2	1

CONTINUED ON NEXT PAGE

SUPERSTRUCTURE

ROPS CAB - 16/19
WIPERS AND WASHERS



KCAB0017

SUPERSTRUCTURE

ROPS CAB - 16/19 WIPERS AND WASHERS

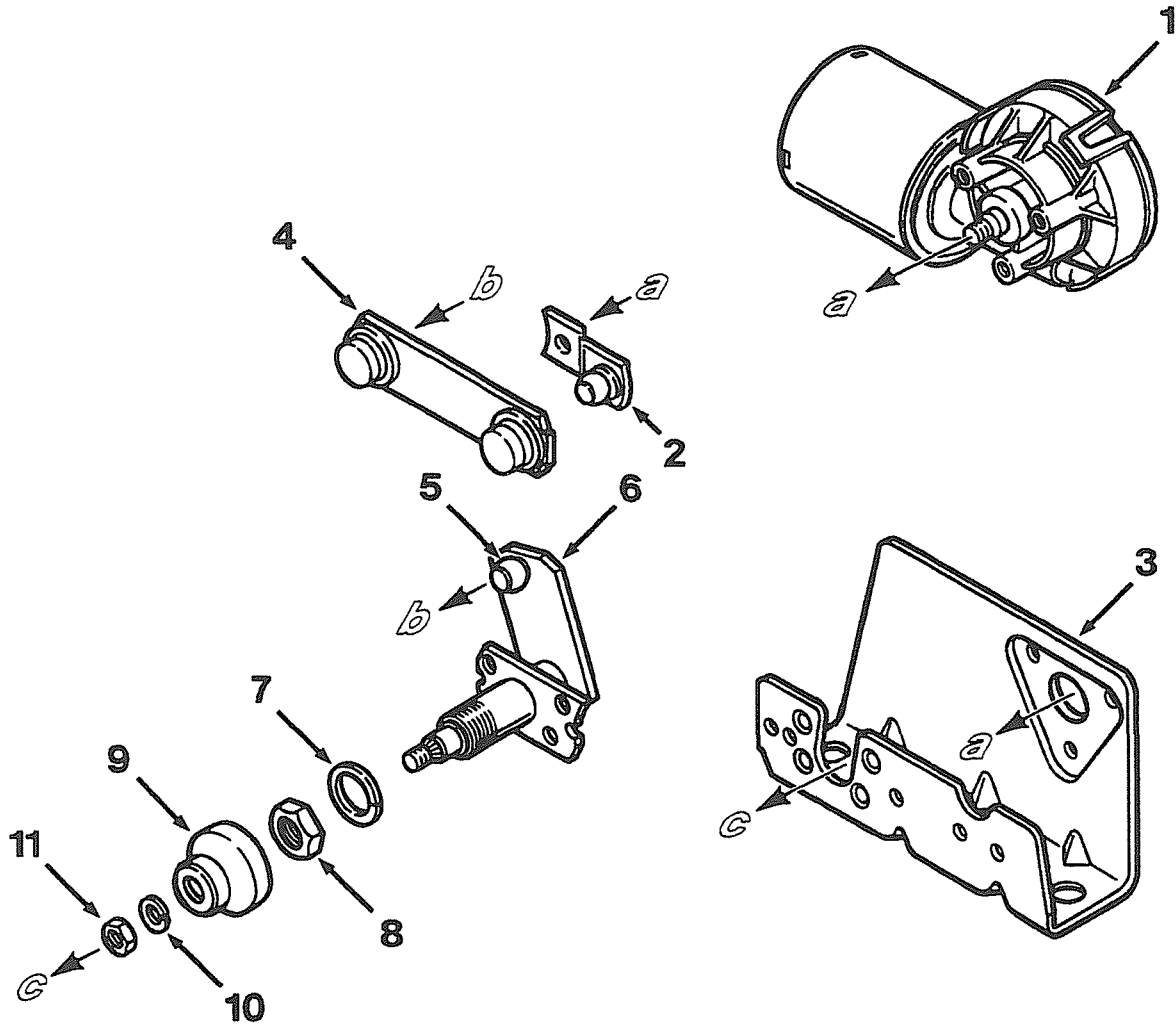
Item	Part Number	Description	Qty.	Ref.
	120 380	.WASHER, LOCK - 1/4	1	
18	1304 339 H91	.TANK, WASHER	1	
	931 826 R1	.BOLT, HEX - M6x12	4	
	934 948 R1	.WASHER, FLAT - M6	4	
19	1214 181 H1	.CAP, FILL	1	
20	1304 401 H91	.PUMP, WASHER	1	
	1309 611 H1	.SCREW	4	
	934 948 R1	.WASHER, FLAT - M6	4	
21	1304 400 H1	.INSULATION, TANK	1	
22	1277 932 H1	.TEE	2	
23	1245 503 H1	.TEE	1	
24		.HOSE, TANK TO TEE - 900 ^{MM} LONG	1	F1
25		.HOSE, TEE TO PUMP - 160 ^{MM} LONG	2	F2
26		.HOSE, PUMP TO REAR TEE - 2050 ^{MM} LONG	1	F2
27		.HOSE, TEE TO REAR WASHER - 1450 ^{MM} LONG	1	F2
28		.HOSE, TEE TO CENTER WASHER - 2250 ^{MM} LONG	1	F2
29		.HOSE, PUMP TO FRONT TEE - 2750 ^{MM} LONG	1	F2
30		.HOSE, FRONT TEE TO LEFT WASHER - 2550 ^{MM} LONG	1	F2
31		.HOSE, FRONT TEE TO RIGHT WASHER - 3650 ^{MM} LONG	1	F2
	1209 692 H1	HOSE, BULK	AR	
	940 455 C2	HOSE, BULK	AR	

F1 - CUT REQUIRED LENGTH FROM BULK HOSE 1209 692 H1.

F2 - CUT REQUIRED LENGTH FROM BULK HOSE 940 455 C2.

SUPERSTRUCTURE

ROPS CAB - 17/19 LEFT OR CENTER FRONT WIPER MOTOR



KCAB0018

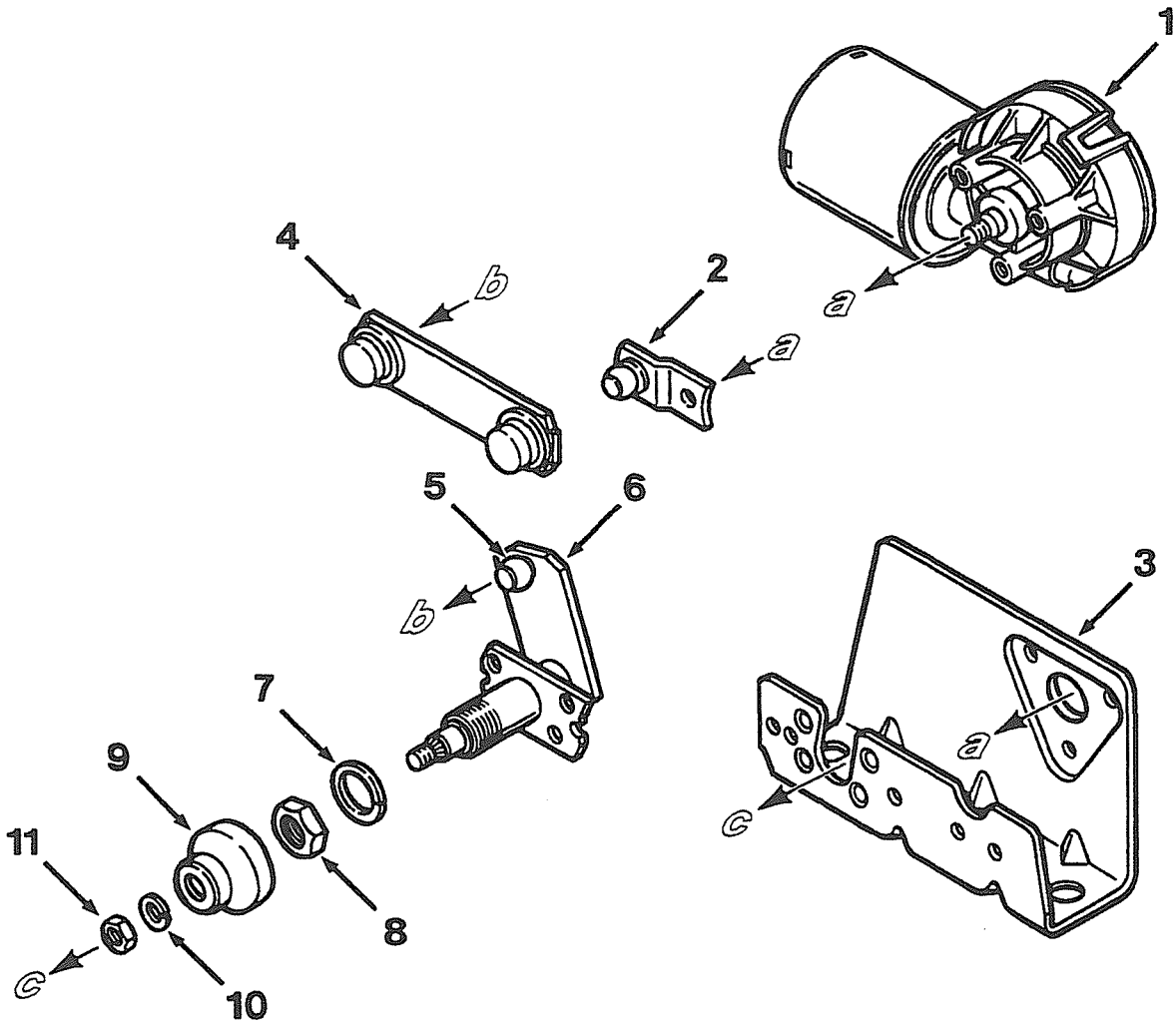
SUPERSTRUCTURE

ROPS CAB - 17/19 LEFT OR CENTER FRONT WIPER MOTOR

Item	Part Number	Description	Qty.	Ref.
	1311 626 H91	CAB ASSY, COMPLETE	1	
	1304 290 H91	.MOTOR ASSY, WIPER	2	
1	NSS	..MOTOR, WIPER	1	
	1207 243 H1	..BOLT, HEX	3	
2	1207 022 H1	..CRANK, LINK	1	
	1207 244 H1	..WASHER, LOCK	1	
	30 167 R1	..NUT, HEX - M8	1	
3	1210 047 H1	..BRACKET, MOUNTING	1	
4	NSS	..LINK, CONNECTING	1	
5	1207 020 H1	..BALL, PIVOT	1	
6	1207 021 H1	..PIVOT, BLADE	1	
	1210 045 H1	..SCREW, FLAT HEAD	4	
	1207 046 H91	..KIT, BLADE	1	
7	NSS	...WASHER, LOCK	1	
8	NSS	...NUT, HEX	1	
9	NSS	...CAP, RAIN	1	
10	NSS	...WASHER, LOCK	1	
11	NSS	...NUT, HEX	1	

SUPERSTRUCTURE

ROPS CAB - 18/19 RIGHT FRONT WIPER MOTOR



KCAB0019

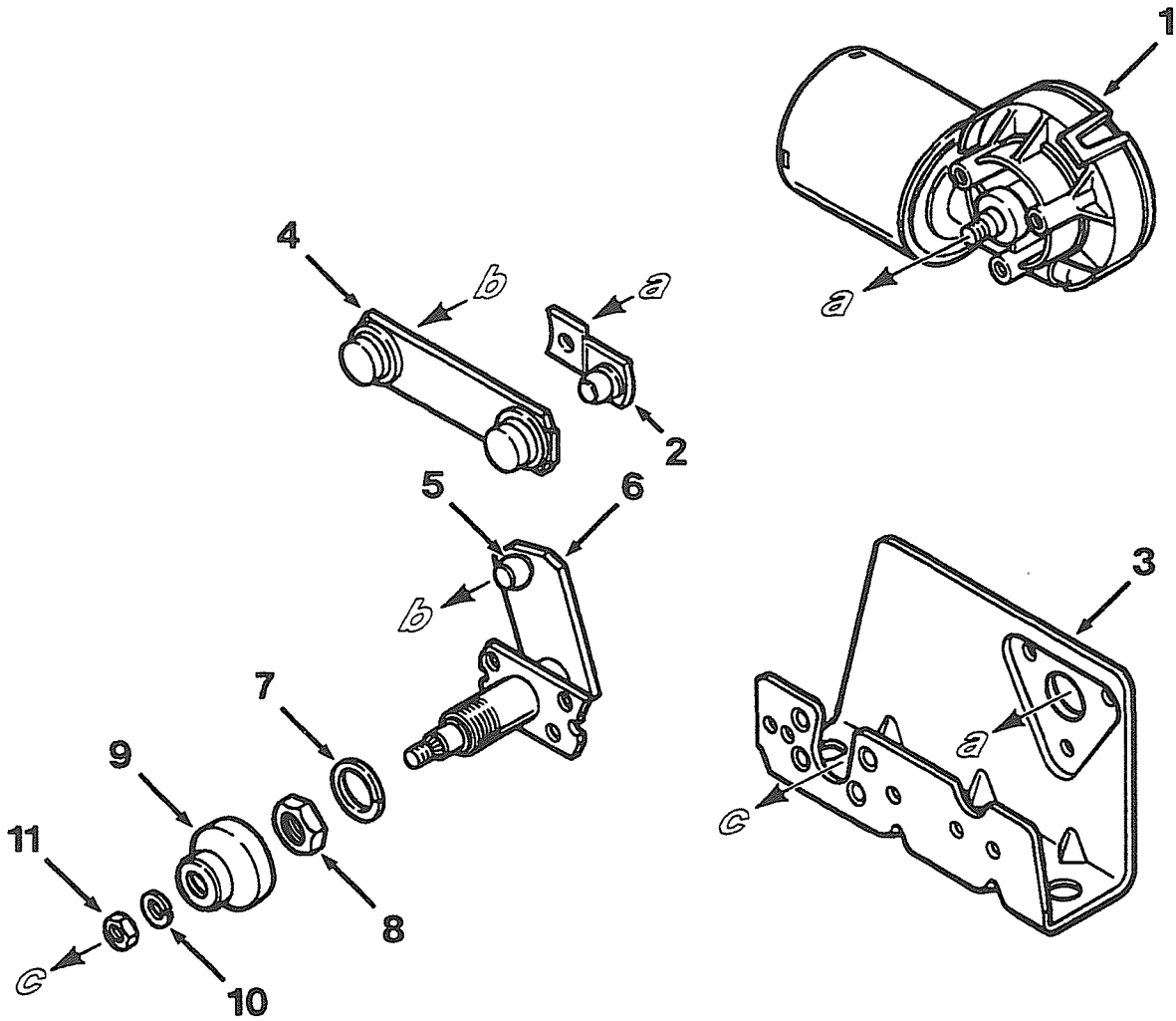
SUPERSTRUCTURE

ROPS CAB - 18/19 RIGHT FRONT WIPER MOTOR

Item	Part Number	Description	Qty.	Ref.
	1311 626 H91	CAB ASSY, COMPLETE	1	
	1304 289 H91	.MOTOR ASSY, WIPER	1	
1	NSS	..MOTOR, WIPER	1	
	1207 243 H1	..BOLT, HEX	3	
2	1207 022 H1	..CRANK, LINK	1	
	1207 244 H1	..WASHER, LOCK	1	
	30 167 R1	..NUT, HEX - M8	1	
3	1210 047 H1	..BRACKET, MOUNTING	1	
4	NSS	..LINK, CONNECTING	1	
5	1207 020 H1	..BALL, PIVOT	1	
6	1207 021 H1	..PIVOT, BLADE	1	
	1210 045 H1	..SCREW, FLAT HEAD	4	
	1207 046 H91	..KIT, BLADE	1	
7	NSS	...WASHER, LOCK	1	
8	NSS	...NUT, HEX	1	
9	NSS	...CAP, RAIN	1	
10	NSS	...WASHER, LOCK	1	
11	NSS	...NUT, HEX	1	

SUPERSTRUCTURE

ROPS CAB - 19/19
REAR WIPER MOTOR



KCAB0018

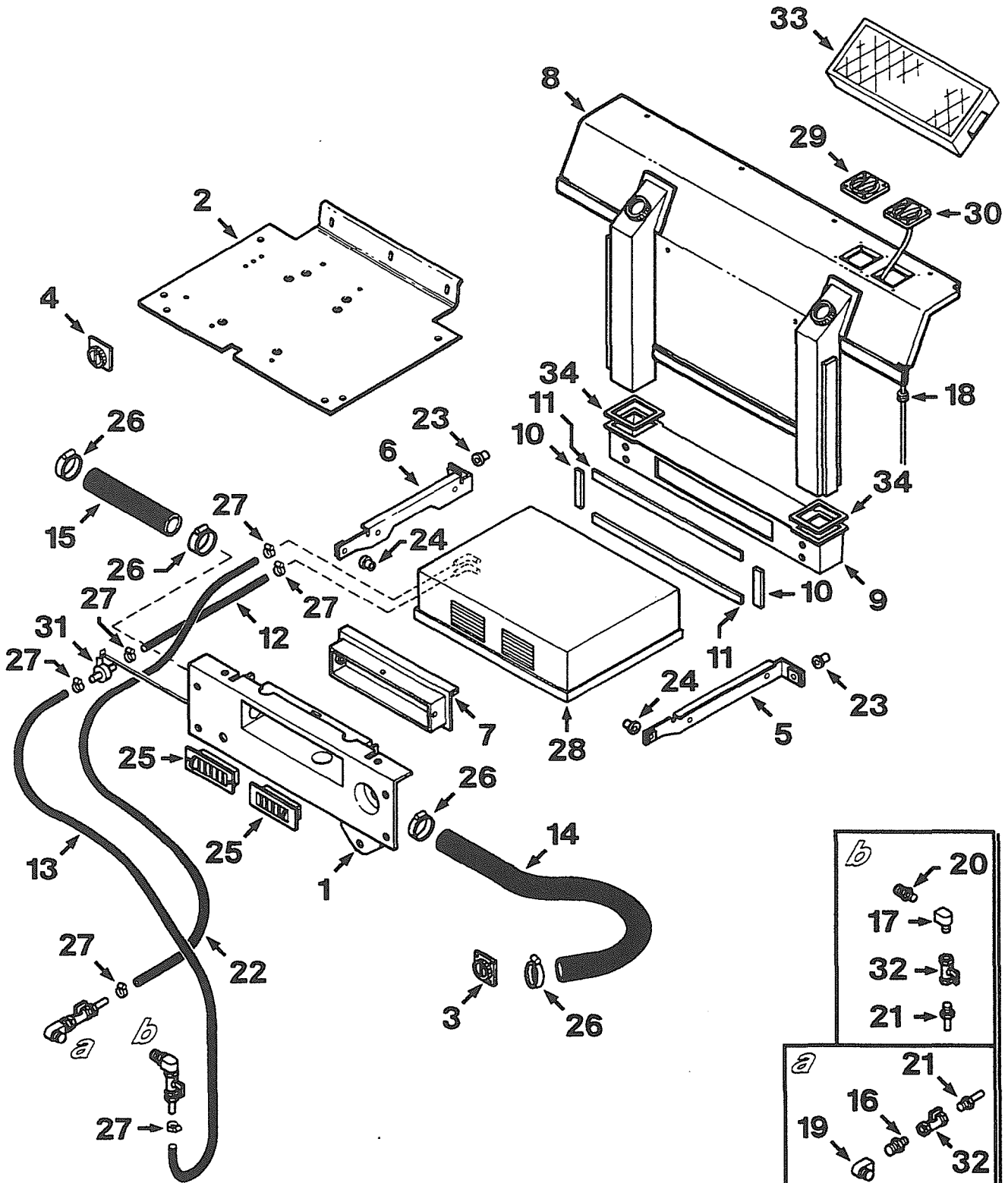
SUPERSTRUCTURE

ROPS CAB - 19/19
REAR WIPER MOTOR

Item	Part Number	Description	Qty.	Ref.
	1311 626 H91	CAB ASSY, COMPLETE	1	
	1304 291 H91	.MOTOR ASSY, WIPER	1	
1	NSS	..MOTOR, WIPER	1	
	1207 243 H1	..BOLT, HEX	3	
2	1207 022 H1	..CRANK, LINK	1	
	1207 244 H1	..WASHER, LOCK	1	
	30 167 R1	..NUT, HEX - M8	1	
3	1210 047 H1	..BRACKET, MOUNTING	1	
4	1219 471 H1	..LINK, CONNECTING	1	
5	1207 020 H1	..BALL, PIVOT	1	
6	1219 470 H1	..PIVOT, BLADE	1	
	1210 045 H1	..SCREW, FLAT HEAD	4	
	1207 046 H91	..KIT, BLADE	1	
7	NSS	...WASHER, LOCK	1	
8	NSS	...NUT, HEX	1	
9	NSS	...CAP, RAIN	1	
10	NSS	...WASHER, LOCK	1	
11	NSS	...NUT, HEX	1	

SUPERSTRUCTURE

HEATER AND CONNECTIONS



DCAB0077

SUPERSTRUCTURE

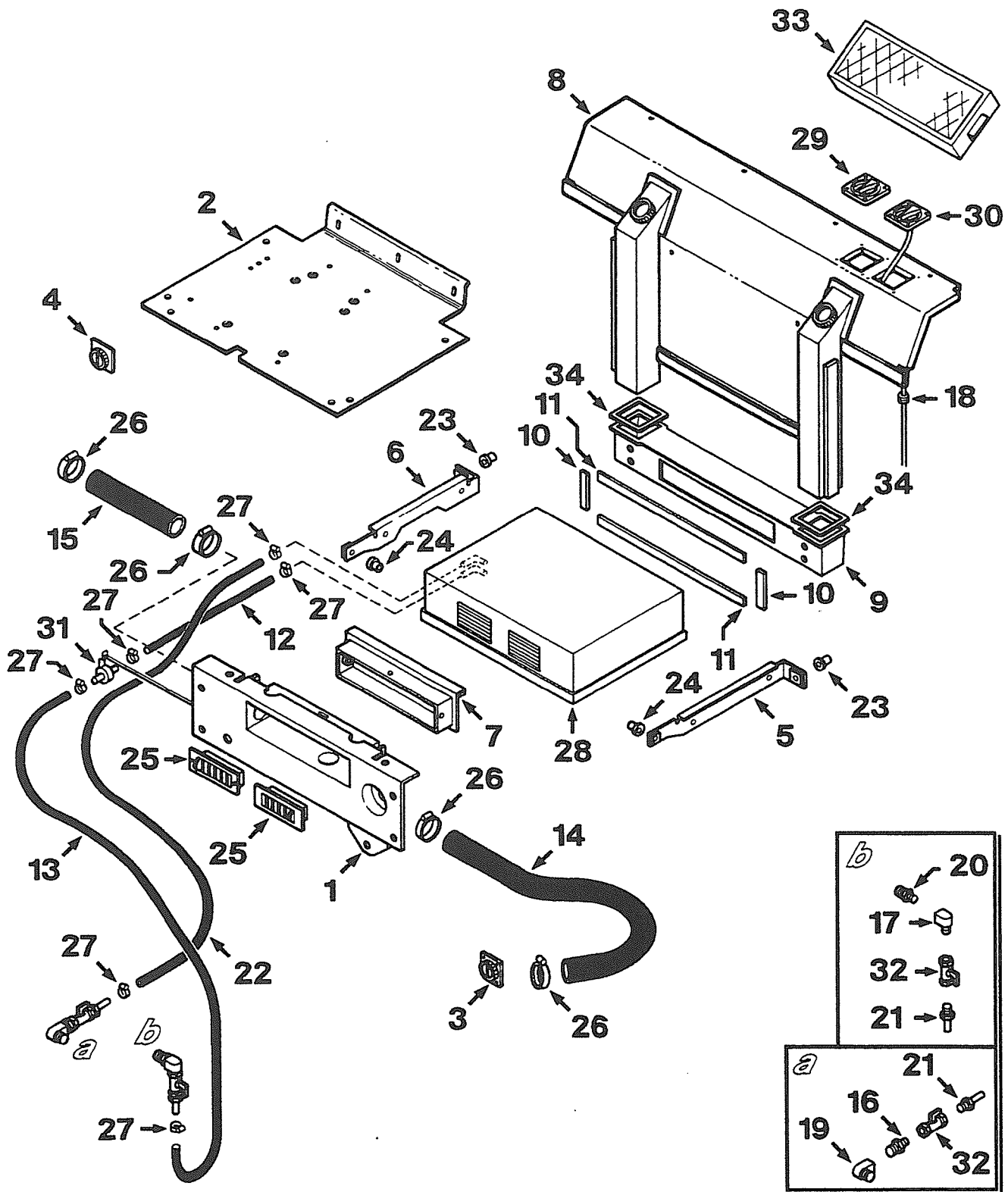
HEATER AND CONNECTIONS

Item	Part Number	Description	Qty.	Ref.
	1309 858 H91	HEATER AND CONNECTIONS	1	F1
1	1300 694 H91	.CHANNEL, SEAT FRONT	1	
2	1300 696 H91	.PLATE, SEAT MOUNTING	1	
3	1300 697 H91	.OUTLET, LEFT AIR	1	
	159 339	.SCREW, PAN HEAD	4	
4	1300 698 H91	.OUTLET, RIGHT AIR	1	
	159 339	.SCREW, PAN HEAD	4	
5	1300 700 H91	.BRACKET, LEFT	1	
6	1300 701 H91	.BRACKET, RIGHT	1	
7	1300 715 H91	.FRAME, DUCT	1	
	30 193 R1	.BOLT, HEX - M6x20	3	
	934 948 R1	.WASHER, FLAT - M6	3	
8		.COVER, REAR (SEE PG 13-098)	1	
9	1300 784 H91	.CHANNEL, REAR AIR	1	
	24 839 R1	.BOLT, HEX - 3/8NCx3/4	2	
	25 534 R1	.WASHER, FLAT - 3/8	2	
10	1300 775 H1	.INSULATION	2	
11	1300 776 H1	.INSULATION	2	
12		.HOSE, VALVE TO HEATER - 16 IN LONG	1	F2
13		.HOSE, ENGINE TO VALVE - 64 IN LONG	1	F2
14	1309 345 H1	.HOSE, LEFT HEATER	1	
15	1309 346 H1	.HOSE, RIGHT HEATER	1	
16	1235 817 H1	.REDUCER, PIPE	1	
17	444 042	.ELBOW, 90°	1	
18	187 540	.GROMMET, RUBBER	1	
19	444 044	.ELBOW, 90°	1	
20	443 992	.NIPPLE, REDUCER	1	
21	153 843 R1	.NIPPLE, HOSE	2	
22		.HOSE, HEATER TO ENGINE - 88 IN LONG	1	F2
23	625 875 C1	.MOUNT, SHOCK	2	
	24 841 R1	.BOLT, HEX - 3/8NCx1-1/2	2	
	25 553 R1	.WASHER, FLAT - 3/8	2	
24	625 875 C1	.MOUNT, SHOCK	2	
	24 842 R1	.BOLT, HEX - 3/8NCx1-3/4	2	
	25 553 R1	.WASHER, FLAT - 3/8	6	
	120 377	.NUT, HEX - 3/8NC	2	

CONTINUED ON NEXT PAGE

SUPERSTRUCTURE

HEATER AND CONNECTIONS



DCAB0077

SUPERSTRUCTURE

HEATER AND CONNECTIONS

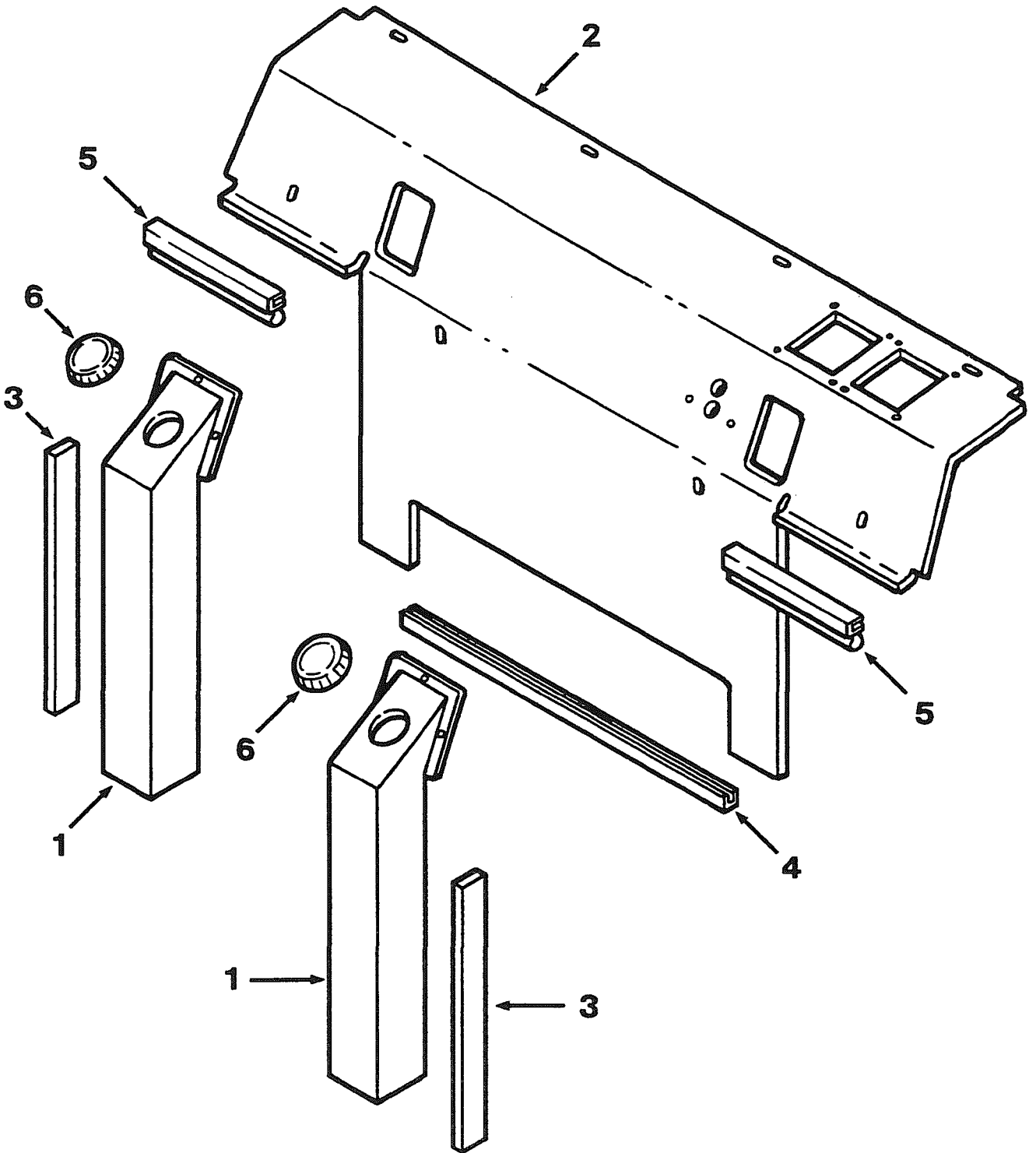
Item	Part Number	Description	Qty.	Ref.
25	1298 608 H1	.LOUVER, FRONT AIR	1	
	30 271 R1	.SCREW - M3x15	4	
	30 239 R1	.WASHER, FLAT - M3	4	
	30 272 R1	.NUT, HEX - M3	4	
26	681 209 C1	.CLAMP, HOSE	4	
27	27 792 R1	.CLAMP, HOSE	6	
28	1309 341 H91	.HEATER	1	
29	1309 342 H91	.SWITCH, HEATER	1	
30	1500 654 H91	.KNOB AND CABLE, PUSH/PULL	1	
31	1309 344 H91	.VALVE, HEATER CONTROL	1	
32	627 686 C1	.VALVE, SHUT OFF	2	
33	1261 655 H1	.FILTER, AIR	1	
34	1309 361 H1	.GASKET	1	
	396 132 C2	.STRAP, TIE		AR
	364 359 C1	HOSE, BULK HEATER		AR

F1 - PART NUMBER IS A NON-SERVICE PART AND IS LISTED FOR REFERENCE ONLY.
ORDER INDIVIDUAL PIECE PARTS.

F2 - CUT REQUIRED LENGTH FROM BULK HEATER HOSE 364 359 C1.

SUPERSTRUCTURE

HEATER REAR COVER



DCAB0078

SUPERSTRUCTURE

HEATER REAR COVER

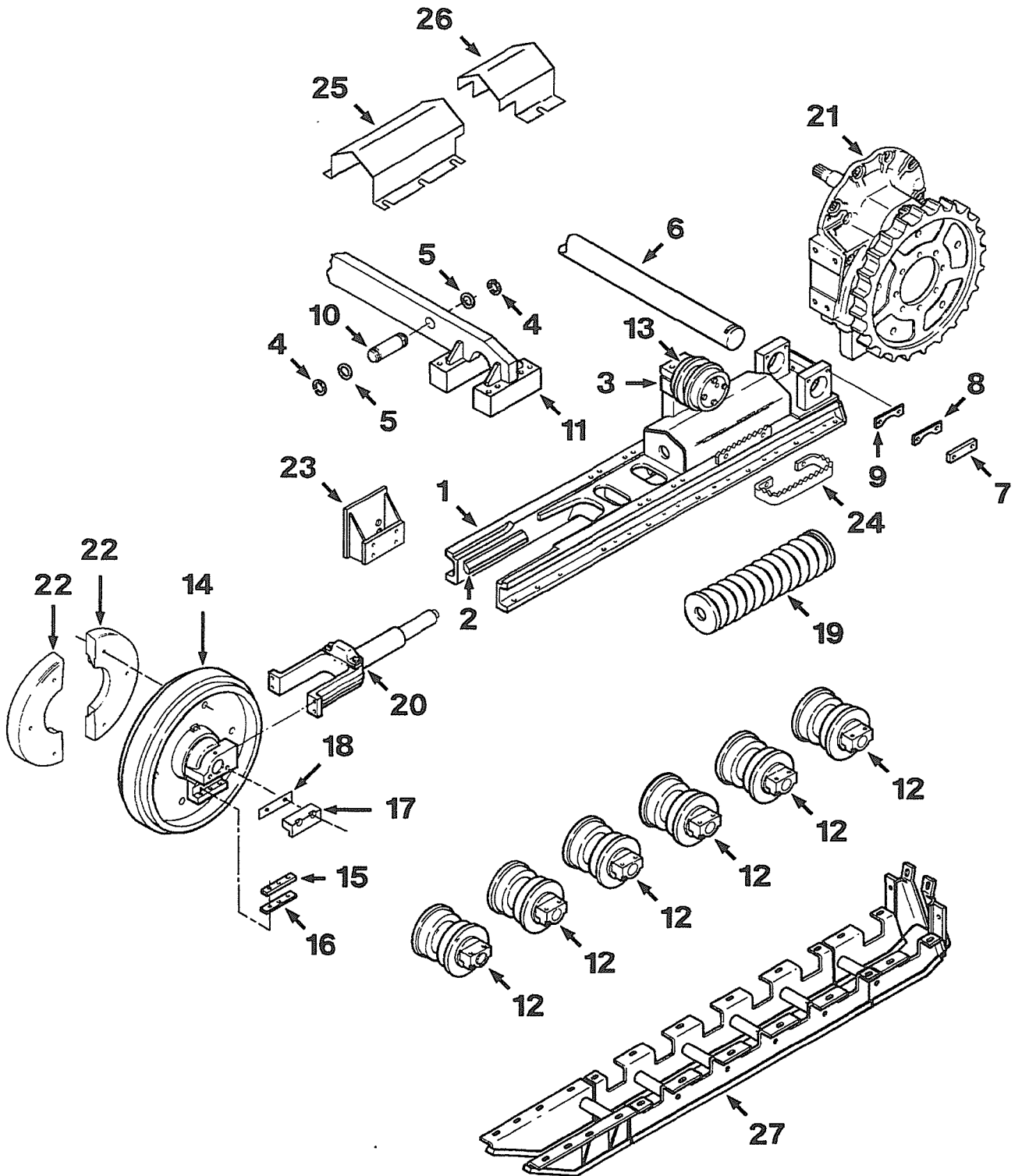
Item	Part Number	Description	Qty.	Ref.
	1309 858 H91	HEATER AND CONNECTIONS	1	F1
	1300 780 H91	.COVER ASSY, REAR	1	
1	1309 660 H91	..CHANNEL, AIR	2	
	1309 615 H1	..SCREW, PAN HEAD - M4x14	6	
	20 289 R1	..WASHER, FLAT - M4	6	
2	1304 207 H91	..COVER, REAR	1	
3	1300 773 H1	..INSULATION, SIDE	2	
4		..TRIM, EDGE - 500 MM LONG	1	F2
5	1300 783 H1	..SEAL, WEATHER	2	
6	1309 340 H91	..OUTLET, AIR	2	
	1262 660 H2	TRIM, BULK EDGE	AR	

F1 - PART NUMBER IS A NON-SERVICE PART AND IS LISTED FOR REFERENCE ONLY.
 ORDER INDIVIDUAL PIECE PARTS.

F2 - CUT REQUIRED LENGTH FROM BULK EDGE TRIM 1262 660 H2.

SUSPENSION

UNDERCARRIAGE



C14AD044

SUSPENSION

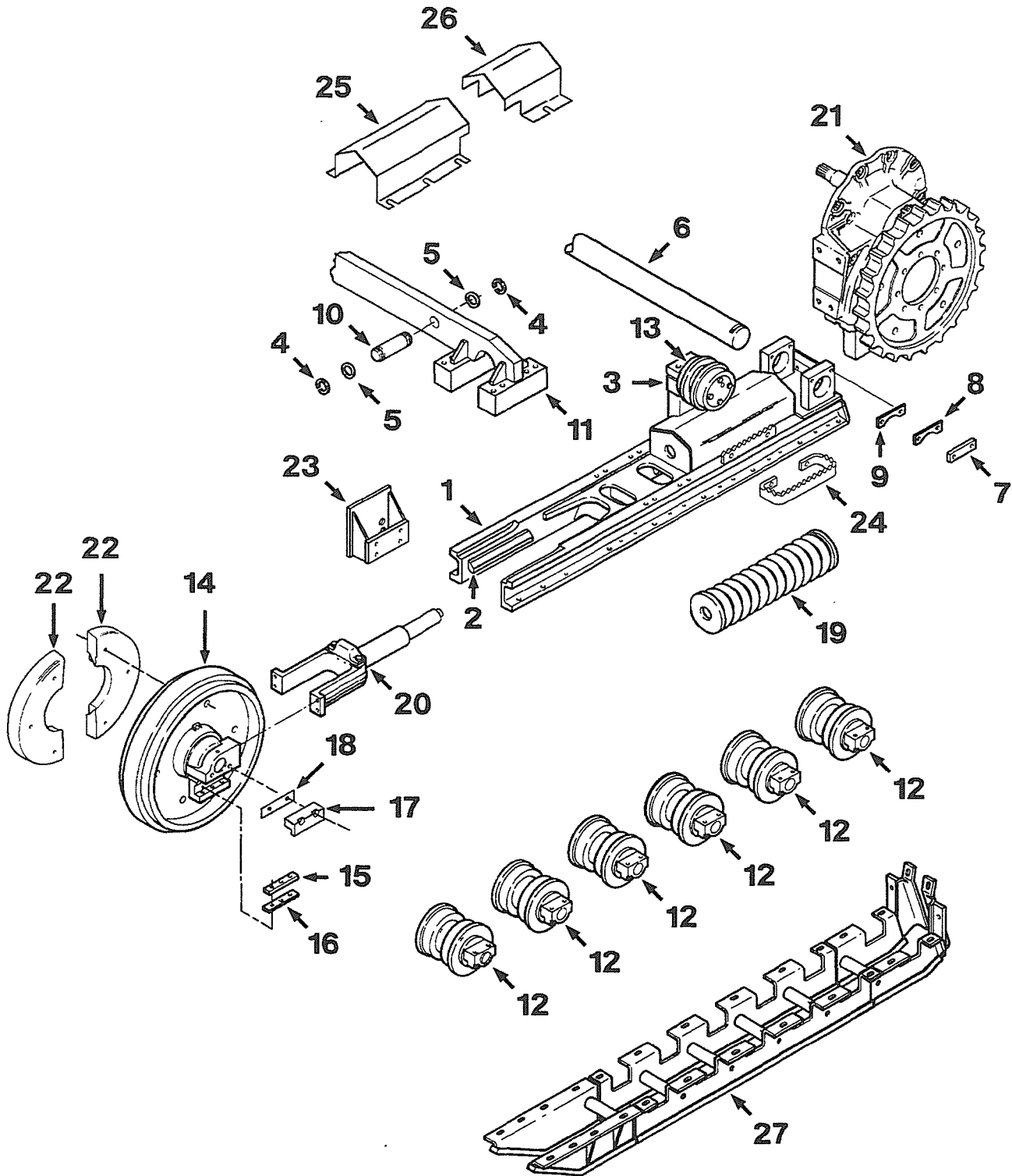
UNDERCARRIAGE

Item	Part Number	Description	Qty.	Ref.
	1281 177 H91	UNDERCARRIAGE	1	F1
	1281 178 H91	.TRACK FRAME	1	F1
	1280 537 H91	..FRAME ASSY, LEFT TRACK	1	
	1280 538 H91	..FRAME ASSY, RIGHT TRACK	1	
1	NSS	...FRAME, TRACK	1	
2	621 338 C1	...BAR, FRONT IDLER WEAR	2	} OPTIONAL
2	662 526 C1	...BAR, FRONT IDLER WEAR	2	
3	1233 532 H1	...BLOCK, TOP IDLER MOUNTING	1	
	1261 941 H91	.STABILIZING LINKAGE	1	F1
4	338 159 R1	..RING, RETAINING	4	
5	1283 831 H1	..RETAINER, RING	4	
6	743 286 C1	..BAR, REAR RIGID	1	
7	621 410 C1	..BAR, LOCK	2	
	24 875 R1	..BOLT, HEX - 5/8NCx2	4	
	25 537 R1	..WASHER, FLAT - 5/8	4	
8	621 411 C1	..SHIM, LOCK BAR	8	
9	1306 387 H1	..SHIM, LOCK BAR	4	
10	621 560 C1	..PIN, MOUNTING	2	
11	1252 418 H91	..CROSSBAR, FRONT	1	
	24 895 R1	..BOLT, HEX - 3/4NCx4-1/2	16	
	25 548 R1	..WASHER, FLAT - 3/4	16	
	1251 269 H91	.TRACK ROLLERS AND IDLERS	1	F1
12		..ROLLER, TRACK (SEE PG 14-008)	12	
	24 880 R1	..BOLT, HEX - 5/8NCx3-1/2	48	
	25 537 R1	..WASHER, FLAT - 5/8	48	
13		..IDLER, TOP (SEE PG 14-006)	2	
	24 878 R1	..BOLT, HEX - 5/8NCx2-3/4	2	
	25 537 R1	..WASHER, FLAT - 5/8	2	
	1281 179 H91	.FRONT IDLER AND ADJUSTER	1	
14		..IDLER, FRONT (SEE PG 14-010)	2	
15	622 044 C1	..BAR, WEAR	4	
	870 325 R1	..BOLT, HEX - 7/16NCx1-3/8	12	
	115 314	..WASHER, LOCK - 7/16	12	
16	621 423 C1	..SHIM, WEAR BAR	AR	
17	1280 497 H1	..PLATE, THRUST	4	
	24 875 R1	..BOLT, HEX - 5/8NCx2	8	

CONTINUED ON NEXT PAGE

SUSPENSION

UNDERCARRIAGE



C14AD044

SUSPENSION

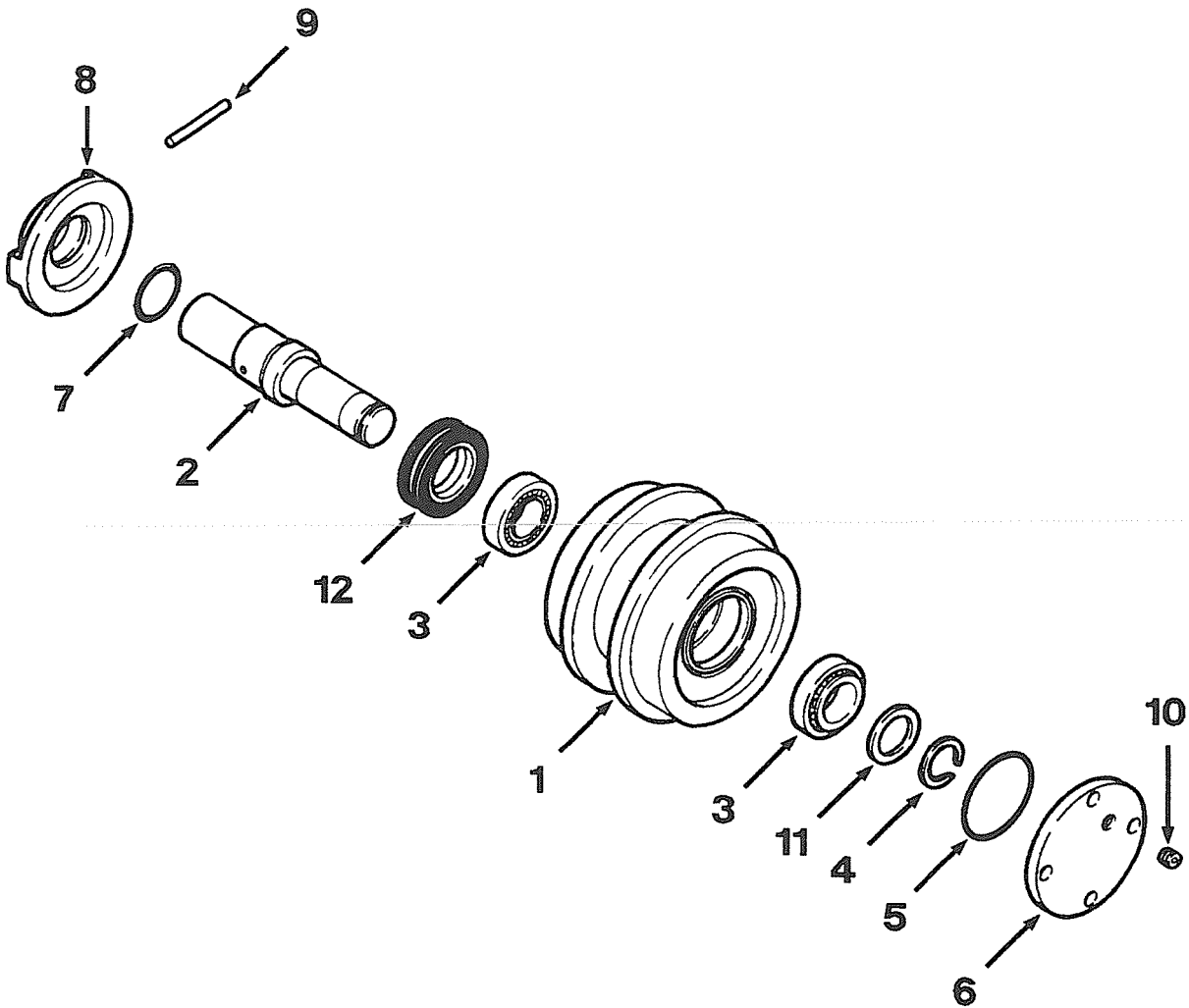
UNDERCARRIAGE

Item	Part Number	Description	Qty.	Ref.
18	1280 498 H1	..SHIM, THRUST PLATE	AR	
19		..SPRING, TRACK (SEE PG 14-012)	2	
20		..ADJUSTER, TRACK (SEE PG 14-012)	2	
21		.FINAL DRIVE AND SPROCKET (SEE PG 07-082)	2	
	<i>1285 338 H91</i>	<i>COUNTERWEIGHT</i>	1	F1
22	1285 310 H1	.COUNTERWEIGHT, FRONT IDLER	8	
	24 868 R1	.BOLT, HEX - 1/2NCx4	12	
	25 555 R1	.WASHER, FLAT - 1/2	24	
	9412 230	.NUT, LOCK - 1/2NC	12	
23		BAR, RUB (SEE PG 15-006)	2	} LGP UNITS
24		STEP, FOOT (SEE PG 15-006)	2	
	<i>1301 227 H91</i>	<i>TRACK FRAME COVERS</i>	1	F1
25	1301 187 H91	.COVER, FRONT	2	
	24 860 R1	.BOLT, HEX - 1/2NCx1	12	
	25 536 R1	.WASHER, FLAT - 1/2	12	
26	1301 182 H91	.COVER, REAR	2	
	24 860 R1	.BOLT, HEX - 1/2NCx1	4	
	25 536 R1	.WASHER, FLAT - 1/2	4	
27		TRACK ROLLER SHIELD (SEE PG 14-014)	1	

F1 - PART NUMBER IS A NON-SERVICE PART AND IS LISTED FOR REFERENCE ONLY.
ORDER INDIVIDUAL PIECE PARTS.

SUSPENSION

TOP IDLER



C14BM011

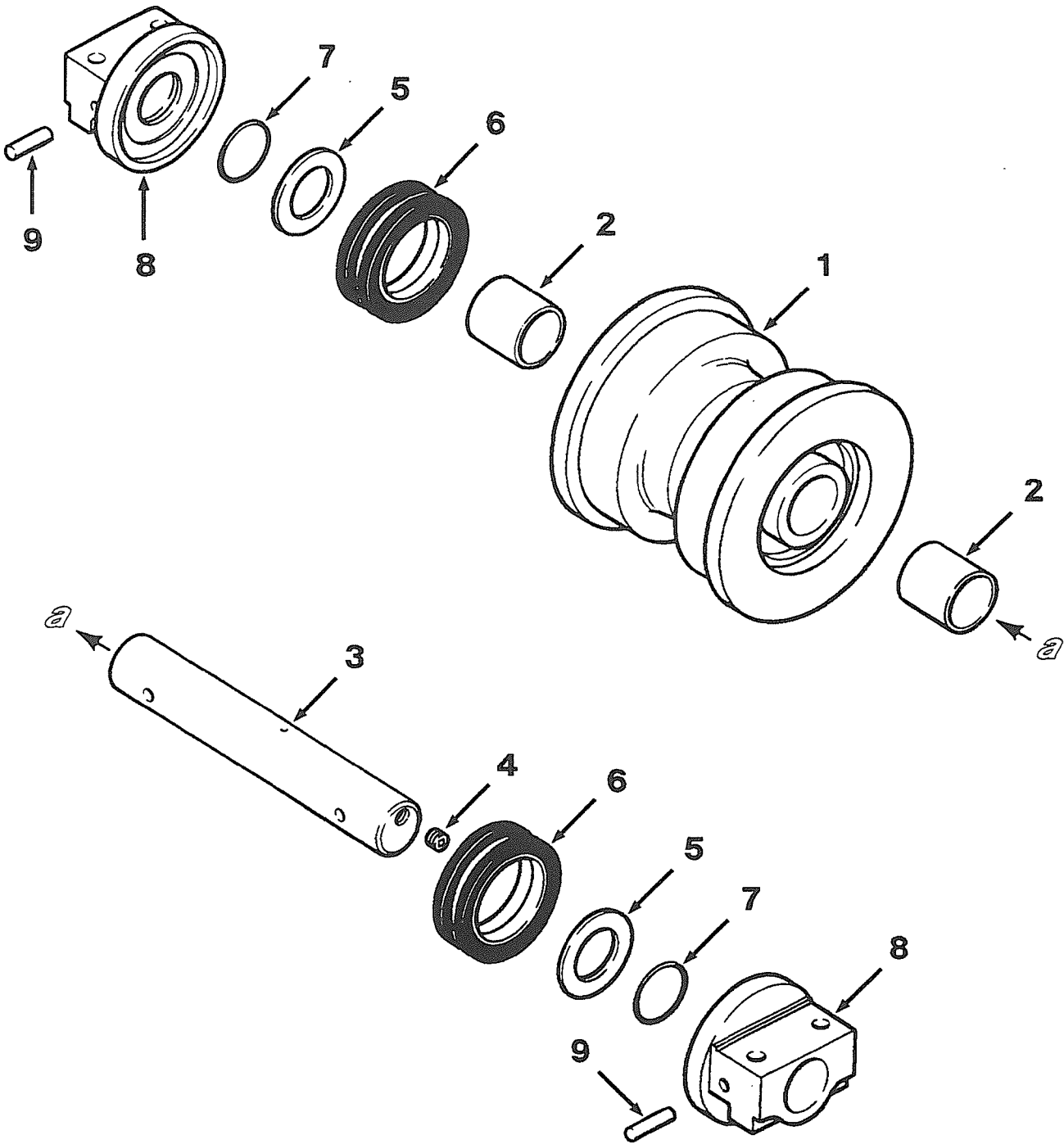
SUSPENSION

TOP IDLER

Item	Part Number	Description	Qty.	Ref.
	1233 541 H92	IDLER ASSY, TOP	2	
1	1233 528 H1	.IDLER, TOP	1	
2	1233 529 H1	.SHAFT, IDLER	1	
3	1233 548 H1	.BEARING, TAPERED ROLLER	2	
4	659 380 R1	.RING, RETAINING	1	
5	22 410 R1	.RING, SEAL	1	
6	1233 530 H2	.COVER, IDLER	1	
	24 480 R1	.BOLT, HEX - 3/8NCx1	4	
	115 093	.WASHER, LOCK - 3/8	4	
7	655 266 C1	.RING, SEAL	1	
8	1233 531 H1	.RETAINER, SEAL	1	
9	618 573 R1	.PIN, ROLL	1	
10	444 687	.PLUG, PORT	1	
11	1233 533 H1	.SPACER, BEARING	1	
12	1208 545 H91	.KIT, SEAL	1	} OPTIONAL
12	1208 553 H91	.KIT, SEAL	1	

SUSPENSION

TRACK ROLLER



C14BR016

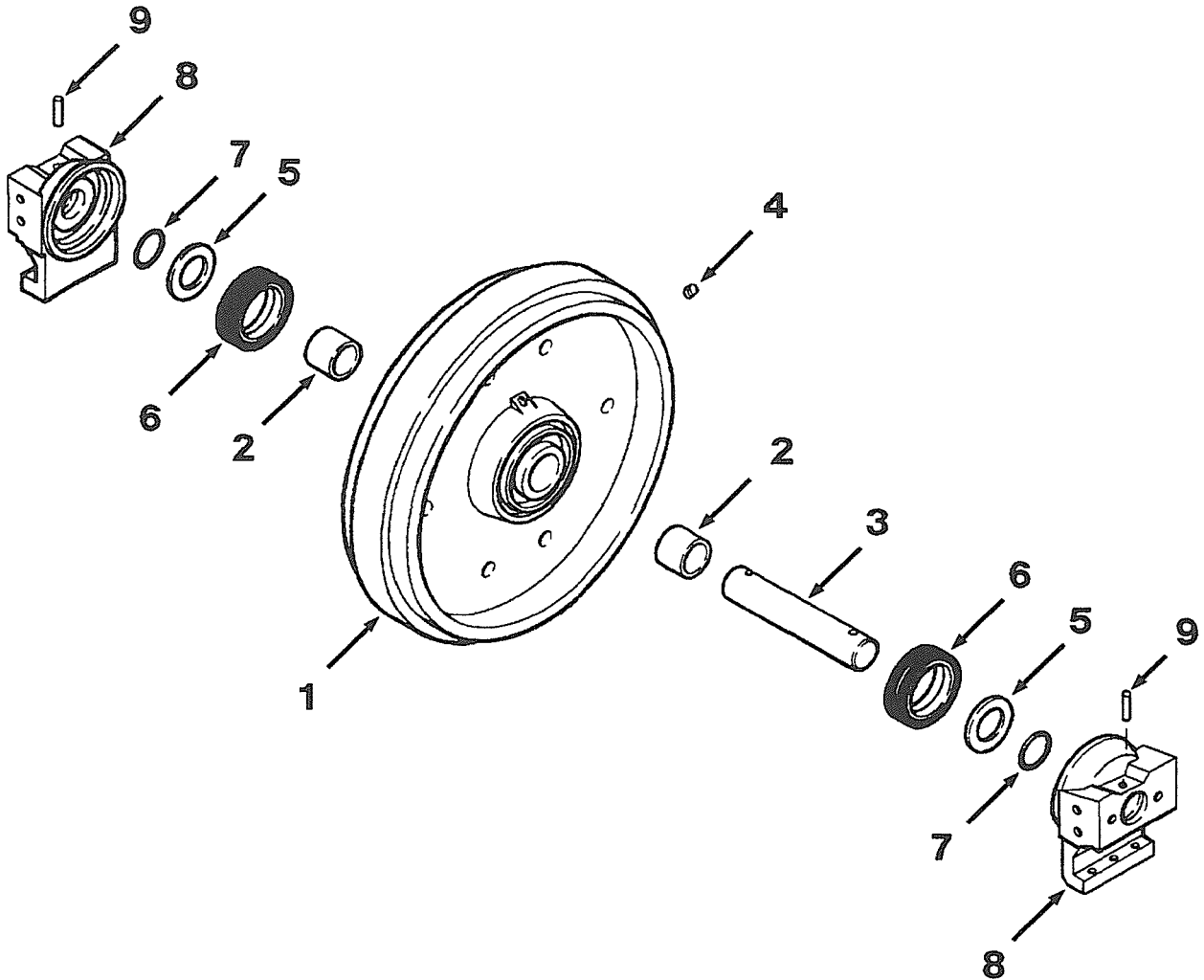
SUSPENSION

TRACK ROLLER

Item	Part Number	Description	Qty.	Ref.
	621 481 C94	ROLLER ASSY, TRACK	12	
	621 471 C95	.ROLLER ASSY	1	
1	NSS	..ROLLER, TRACK	1	
2	621 474 C3	..BUSHING, ROLLER	2	
3	621 475 C1	.SHAFT, ROLLER	1	
4	444 660	.PLUG, PORT	1	
5	621 476 C1	.WASHER, THRUST	2	
6	1208 551 H91	.KIT, SEAL	2	
7	655 267 C1	.RING, SEAL	2	
8	621 482 C3	.BRACKET, MOUNTING	2	
9	22 390 R1	.PIN, ROLL - 7/16x1-3/4	2	

SUSPENSION

FRONT IDLER



C14AV011

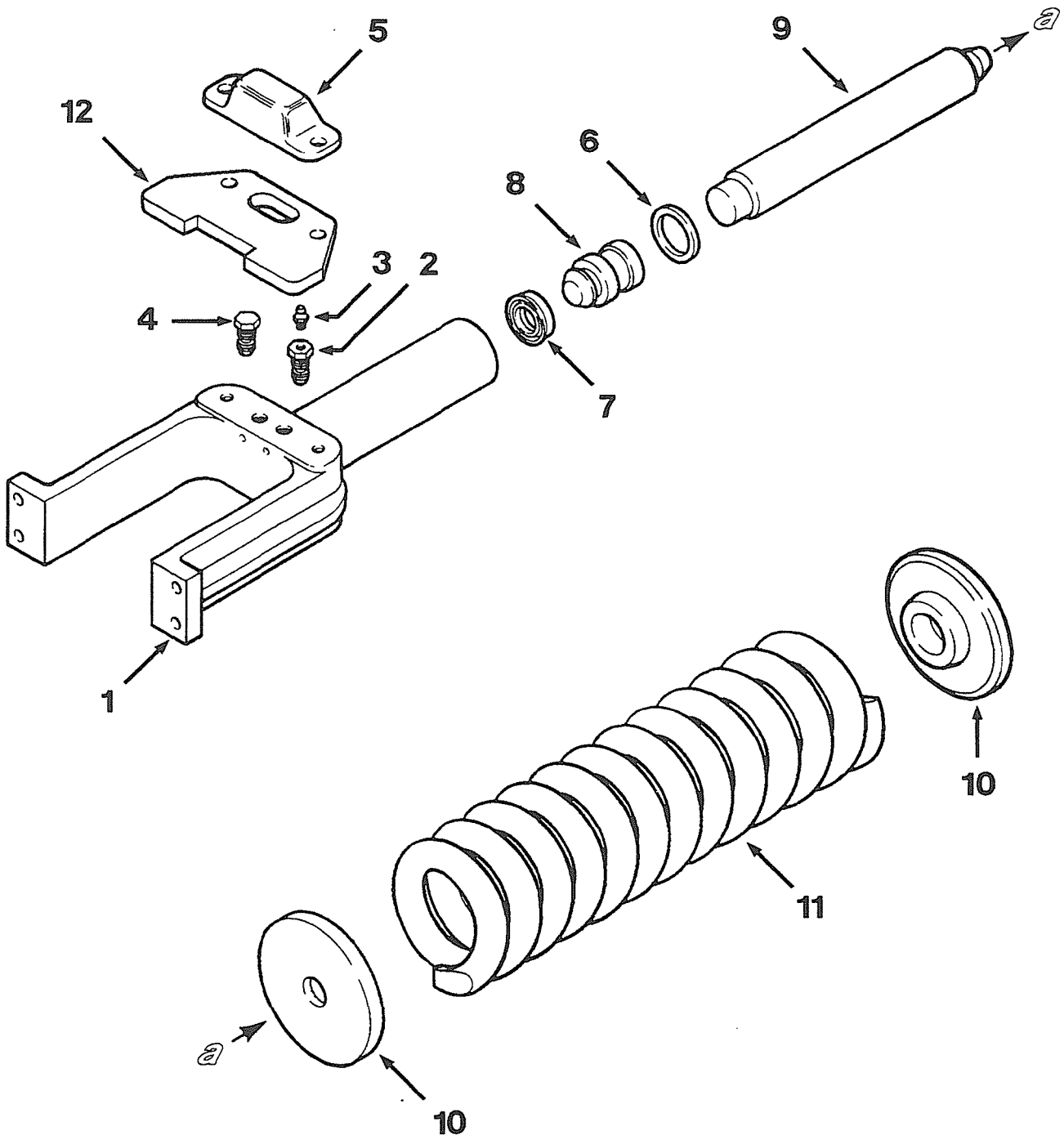
SUSPENSION

FRONT IDLER

Item	Part Number	Description	Qty.	Ref.
	1280 470 H92	IDLER ASSY, FRONT	2	
	1280 471 H92	.IDLER WITH BUSHING	1	
1	NSS	..IDLER, FRONT	1	
2	621 440 C4	..BUSHING, IDLER	2	
3	621 441 C2	.SHAFT, IDLER	1	
4	444 660	.PLUG, PORT	1	
5	621 442 C1	.WASHER, THRUST	2	
6	1208 551 H91	.KIT, SEAL	2	
7	655 278 C1	.RING, SEAL	2	
8	1280 474 H92	.SUPPORT, MOUNTING	2	
9	19 903 R1	.PIN, ROLL - 1/2x1-3/4	2	

SUSPENSION

TRACK ADJUSTER



C14BD006

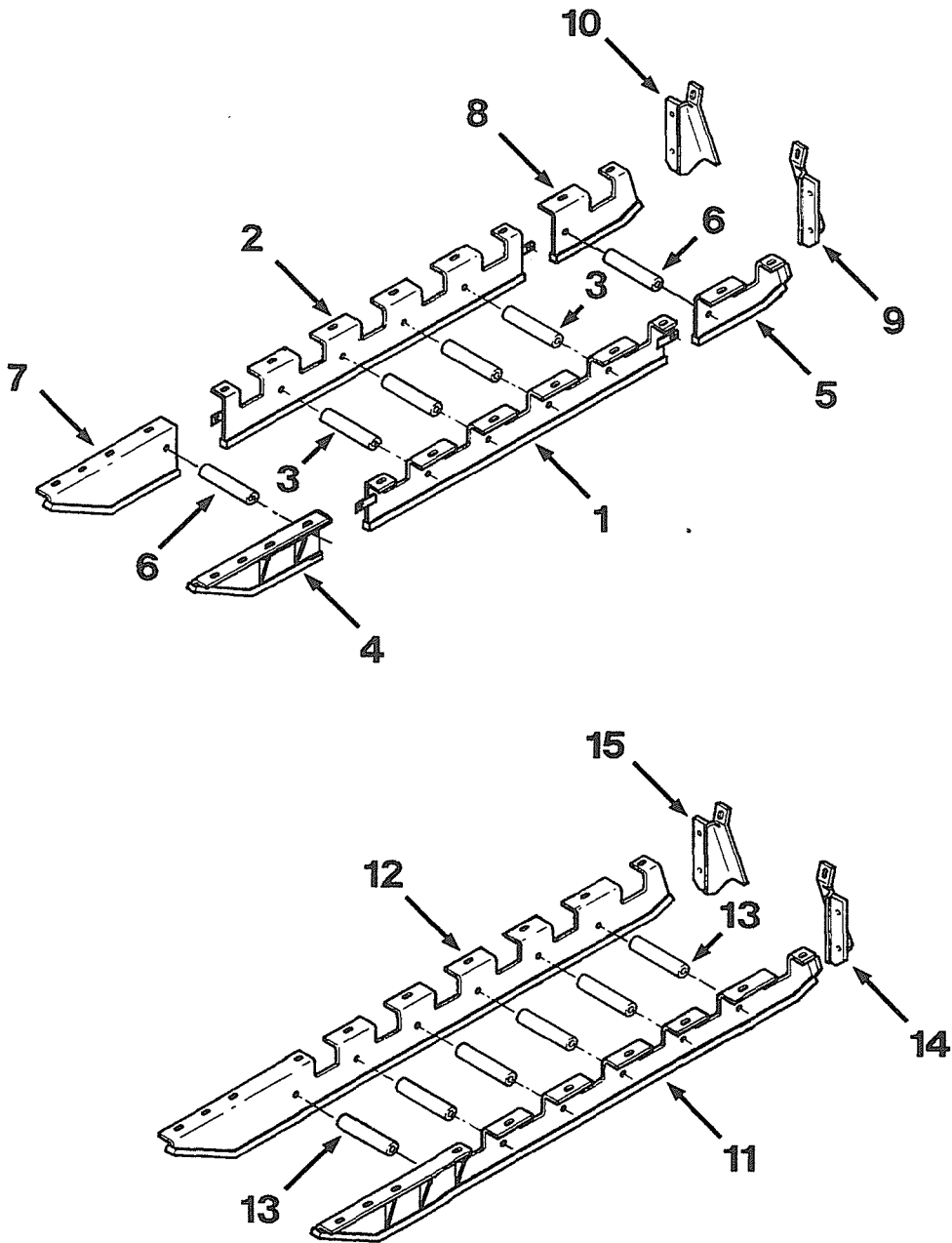
SUSPENSION

TRACK ADJUSTER

Item	Part Number	Description	Qty.	Ref.
1	621 447 C1	FORK, FRONT IDLER - CASTED	2	} OPTIONAL
1	1299 266 H91	FORK, FRONT IDLER - WELDED	2	
	24 863 R1	BOLT, HEX - 1/2NCx1-3/4	8	
	116 121	WASHER, LOCK - 1/2	8	
2	319 628 R91	VALVE, ADJUSTER CHECK	2	
3	109 461	FITTING, LUBE	2	
4	662 799 C1	PLUG, ADJUSTER BLEEDER	2	} OPTIONAL
4		PLUG, ADJUSTER BLEEDER	2	
	50 410 DA	.PLUG, PORT	1	
	319 628 R91	.VALVE, CHECK	1	
5	621 430 C1	SHIELD, ADJUSTER	2	
	24 862 R1	BOLT, HEX - 1/2NCx1-1/2	4	
	116 121	WASHER, LOCK - 1/2	4	
	622 825 C91	KIT, PISTON SEAL	2	
6	NSS	.WIPER, ROD	1	
7	NSS	.RING, PISTON	1	
8	622 049 C1	PISTON, ADJUSTER	2	
9	1280 469 H1	ROD, TRACK ADJUSTER	2	
10	621 453 C1	RETAINER, TRACK SPRING	4	
11	621 452 C2	SPRING, TRACK	2	
12	1280 545 H1	PLATE, SCRAPER	2	

SUSPENSION

ROLLER SHIELDS AND CHAIN GUIDES



C14BV000

SUSPENSION

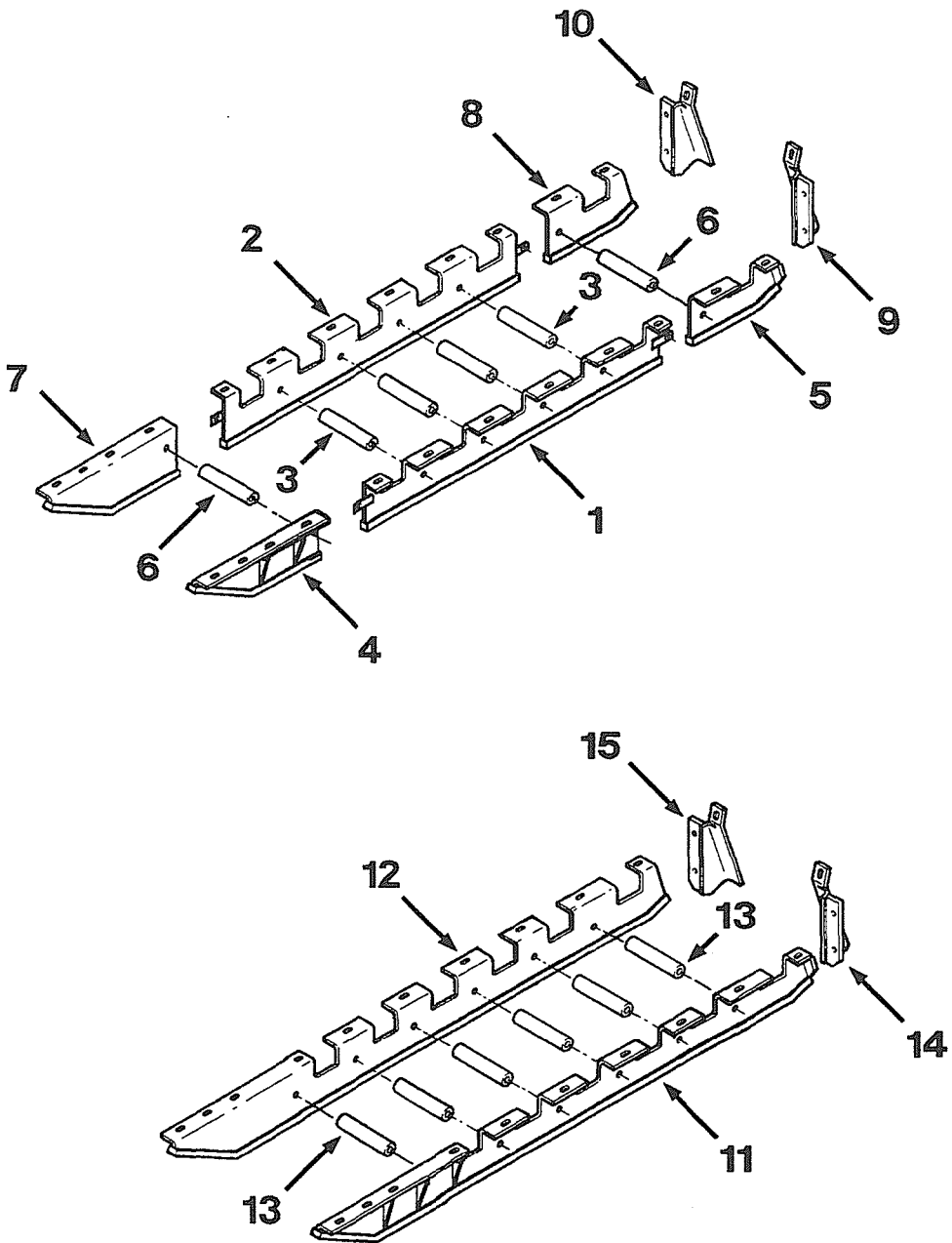
ROLLER SHIELDS AND CHAIN GUIDES

Item	Part Number	Description	Qty.	Ref.
	<i>1280 491 H91</i>	<i>TRACK ROLLER SHIELD</i>	1	F1
1	1280 492 H91	.SHIELD, LEFT ROLLER	2	
	24 872 R1	.BOLT, HEX - 5/8NCx1-1/4	12	
	671 175 C1	.WASHER, FLAT	12	
2	1280 493 H91	.SHIELD, RIGHT ROLLER	2	
	24 872 R1	.BOLT, HEX - 5/8NCx1-1/4	12	
	671 175 C1	.WASHER, FLAT	12	
3	621 397 C2	.SPACER, SHIELD	8	
	25 923 R1	.BOLT, HEX - 3/4NCx10-1/2	8	
	25 538 R1	.WASHER, FLAT - 3/4	16	
	9413 983	.NUT, LOCK - 3/4NC	8	
	<i>1258 830 H91</i>	<i>CHAIN GUIDE ROCK DEFLECTOR</i>	1	F1
4	1252 298 H92	.GUIDE, LEFT FRONT CHAIN	2	
	24 872 R1	.BOLT, HEX - 5/8NCx1-1/4	8	
	671 175 C1	.WASHER, FLAT	8	
5	1252 302 H91	.GUIDE, LEFT REAR CHAIN	2	
	24 872 R1	.BOLT, HEX - 5/8NCx1-1/4	4	
	671 175 C1	.WASHER, FLAT	4	
6	621 397 C2	.SPACER, GUIDE	4	
	25 923 R1	.BOLT, HEX - 3/4NCx10-1/2	4	
	25 538 R1	.WASHER, FLAT - 3/4	8	F2
	9413 983	.NUT, LOCK - 3/4NC	4	
7	1252 299 H92	.GUIDE, RIGHT FRONT CHAIN	2	
	24 872 R1	.BOLT, HEX - 5/8NCx1-1/4	8	
	671 175 C1	.WASHER, FLAT	8	
8	1252 303 H91	.GUIDE, RIGHT REAR CHAIN	2	
	24 872 R1	.BOLT, HEX - 5/8NCx1-1/4	4	
	671 175 C1	.WASHER, FLAT	4	
9	621 398 C2	.DEFLECTOR, LEFT ROCK	2	
	24 875 R1	.BOLT, HEX - 5/8NCx2	6	
	25 547 R1	.WASHER, FLAT - 5/8	6	
	25 528 R1	.NUT, HEX - 5/8NC	6	
10	621 399 C2	.DEFLECTOR, RIGHT ROCK	2	
	24 875 R1	.BOLT, HEX - 5/8NCx2	6	
	25 547 R1	.WASHER, FLAT - 5/8	6	
	25 528 R1	.NUT, HEX - 5/8NC	6	

CONTINUED ON NEXT PAGE

SUSPENSION

ROLLER SHIELDS AND CHAIN GUIDES



C14BV000

SUSPENSION

ROLLER SHIELDS AND CHAIN GUIDES

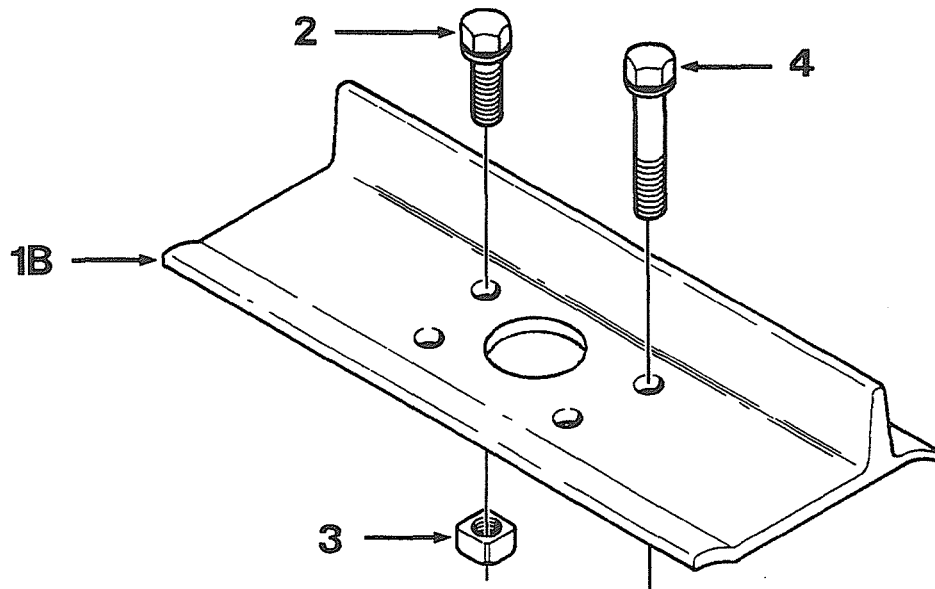
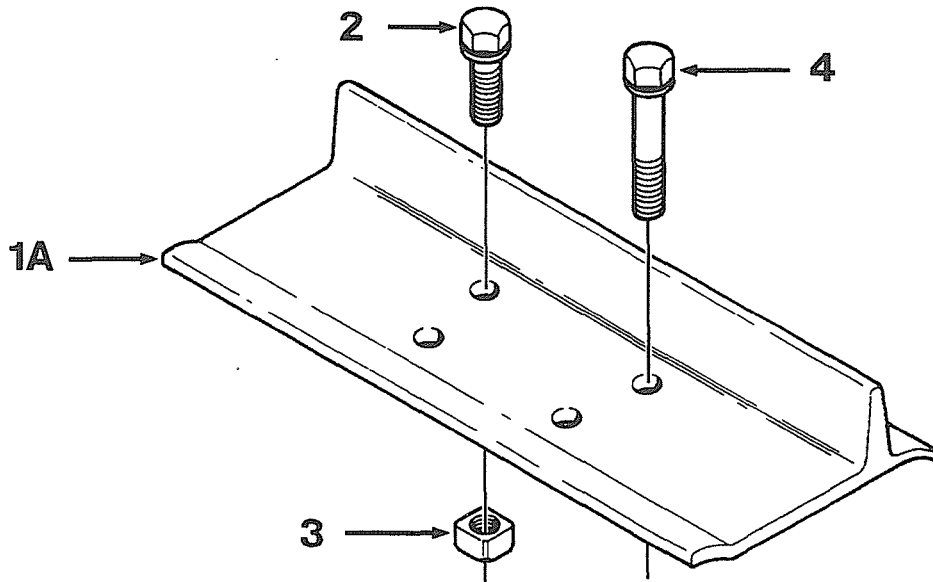
Item	Part Number	Description	Qty.	Ref.
	1303 815 H91	TRACK ROLLER SHIELD, HEAVY DUTY	1	F1
11	1303 817 H91	.SHIELD, LEFT ROLLER	2	
	24 872 R1	.BOLT, HEX - 5/8NCx1-1/4	10	
	671 175 C1	.WASHER, FLAT	10	
12	1303 818 H91	.SHIELD, RIGHT ROLLER	2	
	24 872 R1	.BOLT, HEX - 5/8NCx1-1/4	10	
	671 175 C1	.WASHER, FLAT	10	
13	621 397 C2	.SPACER, SHIELD	12	
	25 923 R1	.BOLT, HEX - 3/4NCx10-1/2	12	
	25 538 R1	.WASHER, FLAT - 3/4	24	
	9413 983	.NUT, LOCK - 3/4NC	12	
14	621 398 C2	.DEFLECTOR, LEFT ROCK	2	
	24 875 R1	.BOLT, HEX - 5/8NCx2	6	
	25 547 R1	.WASHER, FLAT - 5/8	6	
	25 528 R1	.NUT, HEX - 5/8	6	
15	621 399 C2	.DEFLECTOR, RIGHT ROCK	2	
	24 875 R1	.BOLT, HEX - 5/8NCx2	6	
	25 547 R1	.WASHER, FLAT - 5/8	6	
	25 528 R1	.NUT, HEX - 5/8	6	

F1 - PART NUMBER IS A NON-SERVICE PART AND IS LISTED FOR REFERENCE ONLY.
ORDER INDIVIDUAL PIECE PARTS.

F2 - ONLY USED WITHOUT TRACK ROLLER SHIELDS.

WHEELS AND TRACTION

18 IN TRACK SHOES STANDARD TRACK



C15AD005

WHEELS AND TRACTION

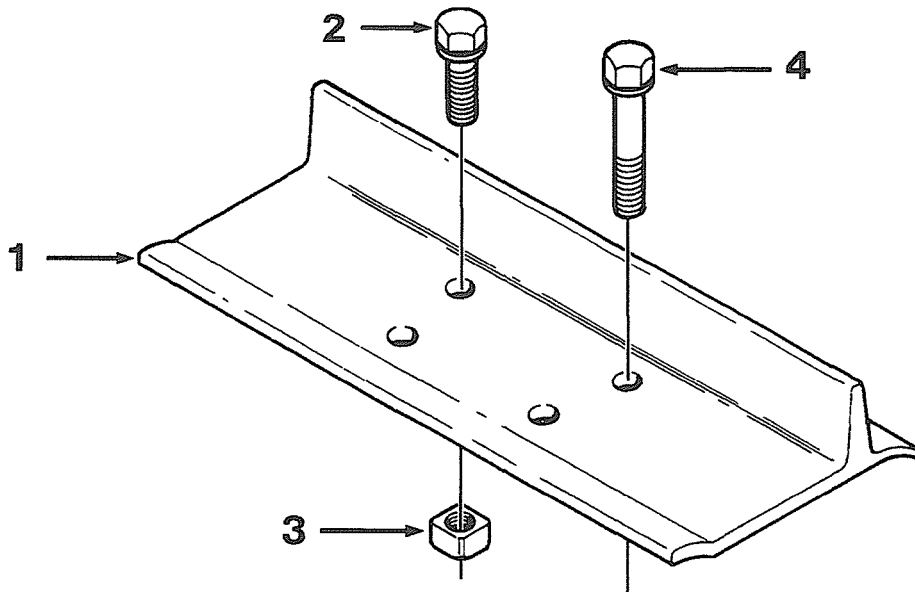
18 IN TRACK SHOES STANDARD TRACK

Item	Part Number	Description	Qty.	Ref.
	<i>1281 173 H91</i>	<i>TRACK SHOES</i>	1	F1
1A	1270 461 H1	.SHOE, TRACK	78	
2	616 199 C4	.BOLT, TRACK SHOE	304	
3	616 200 C1	.NUT, TRACK SHOE	304	
4		BOLT, MASTER LINK (SEE PG 15-010)	4	
	<i>1281 174 H91</i>	<i>TRACK SHOE WITH MUD RELIEF</i>	1	F1
1B	1270 499 H1	.SHOE, TRACK	78	
2	616 199 C4	.BOLT, TRACK SHOE	304	
3	616 200 C1	.NUT, TRACK SHOE	304	
4		BOLT, MASTER LINK (SEE PG 15-010)	4	

F1 - PART NUMBER IS A NON-SERVICE PART AND IS LISTED FOR REFERENCE ONLY.
ORDER INDIVIDUAL PIECE PARTS.

WHEELS AND TRACTION

20 IN TRACK SHOES STANDARD TRACK



C15AD006

WHEELS AND TRACTION

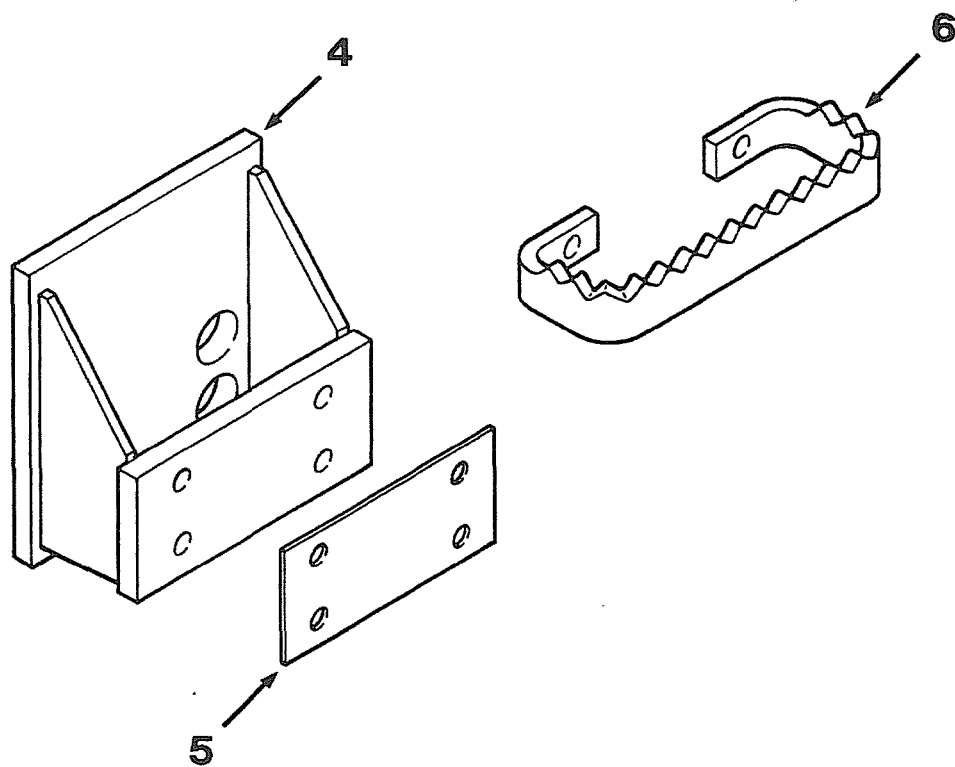
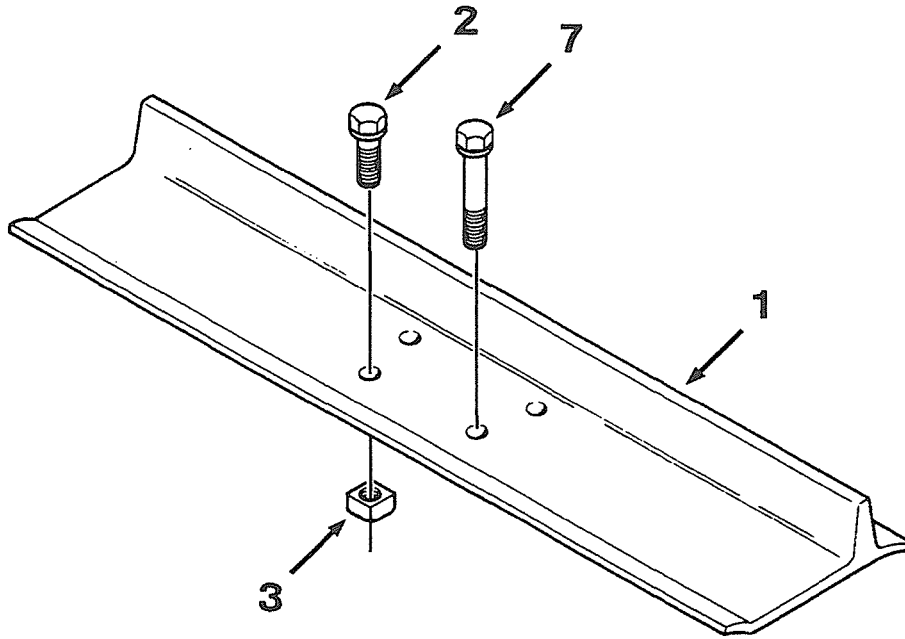
20 IN TRACK SHOES
STANDARD TRACK

Item	Part Number	Description	Qty.	Ref.
	1299 152 H91	TRACK SHOES	1	F1
1	1299 153 H1	.SHOE, TRACK	78	
2	616 199 C4	.BOLT, TRACK SHOE	304	
3	616 200 C1	.NUT, TRACK SHOE	304	
4		BOLT, MASTER LINK (SEE PG 15-010)	4	

F1 - PART NUMBER IS A NON-SERVICE PART AND IS LISTED FOR REFERENCE ONLY.
ORDER INDIVIDUAL PIECE PARTS.

WHEELS AND TRACTION

24 IN TRACK SHOES LOW GROUND PRESSURE



C15AD007

WHEELS AND TRACTION

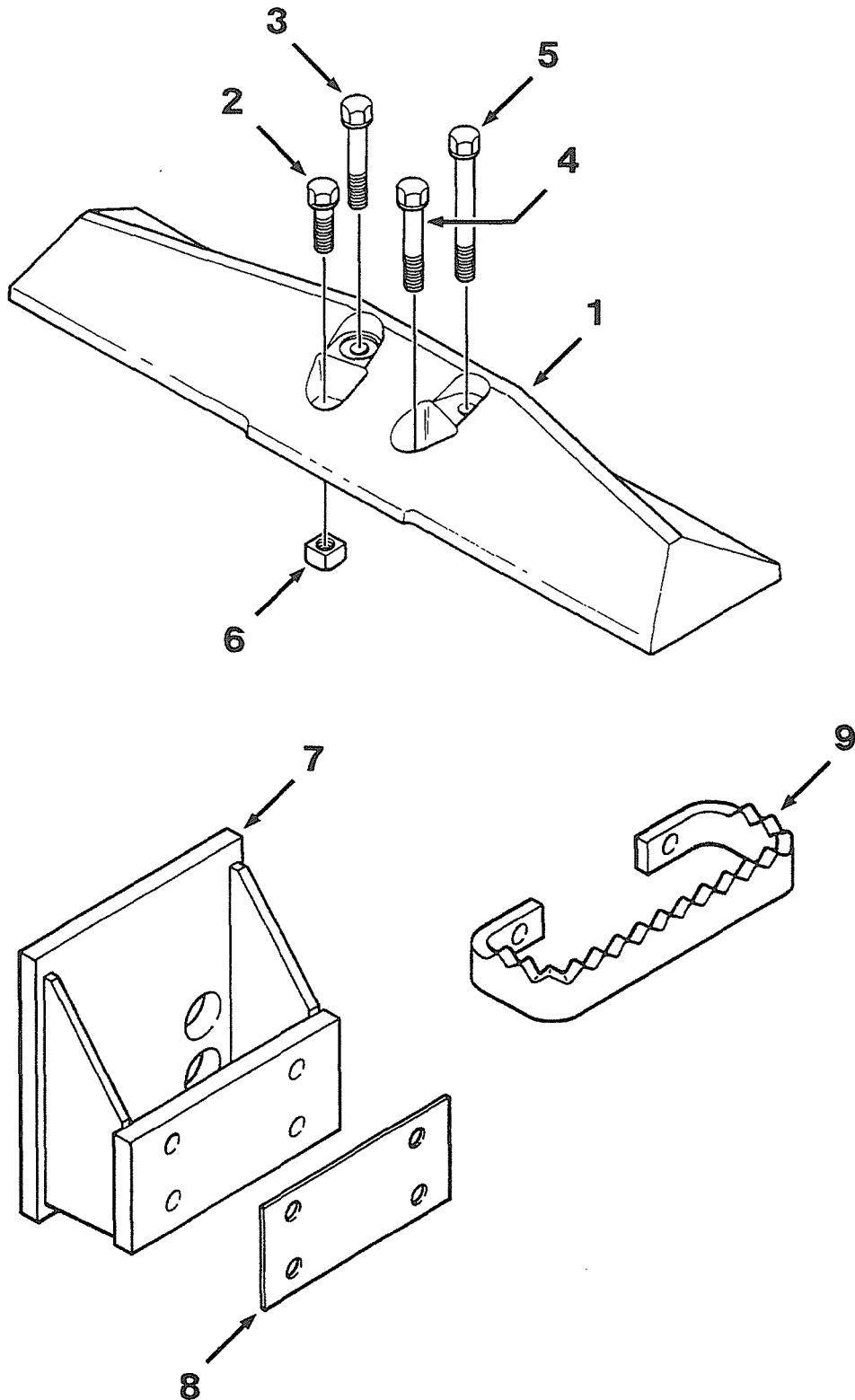
24 IN TRACK SHOES LOW GROUND PRESSURE

Item	Part Number	Description	Qty.	Ref.
	1281 176 H91	WIDE TRACK SHOES	1	F1
1	1236 987 H1	.SHOE, TRACK	78	
2	616 199 C4	.BOLT, TRACK SHOE	304	
3	616 200 C1	.NUT, TRACK SHOE	304	
4	1258 970 H91	.BAR, C-FRAME RUB	2	
	24 875 R1	.BOLT, HEX - 5/8NCx2	8	
	25 547 R1	.WASHER, FLAT - 5/8	8	
5	1258 997 H1	.SHIM, RUB BAR	AR	
6	1281 017 H1	.STEP, FOOT	2	
	24 874 R1	.BOLT, HEX - 5/8NCx1-3/4	4	
	25 537 R1	.WASHER, FLAT - 5/8	8	
	25 528 R1	.NUT, HEX - 5/8NC	4	
7		BOLT, MASTER LINK (SEE PG 15-010)	4	

F1 - PART NUMBER IS A NON-SERVICE PART AND IS LISTED FOR REFERENCE ONLY.
ORDER INDIVIDUAL PIECE PARTS.

WHEELS AND TRACTION

24 IN SWAMP SHOES
LOW GROUND PRESSURE



C15AD008

WHEELS AND TRACTION

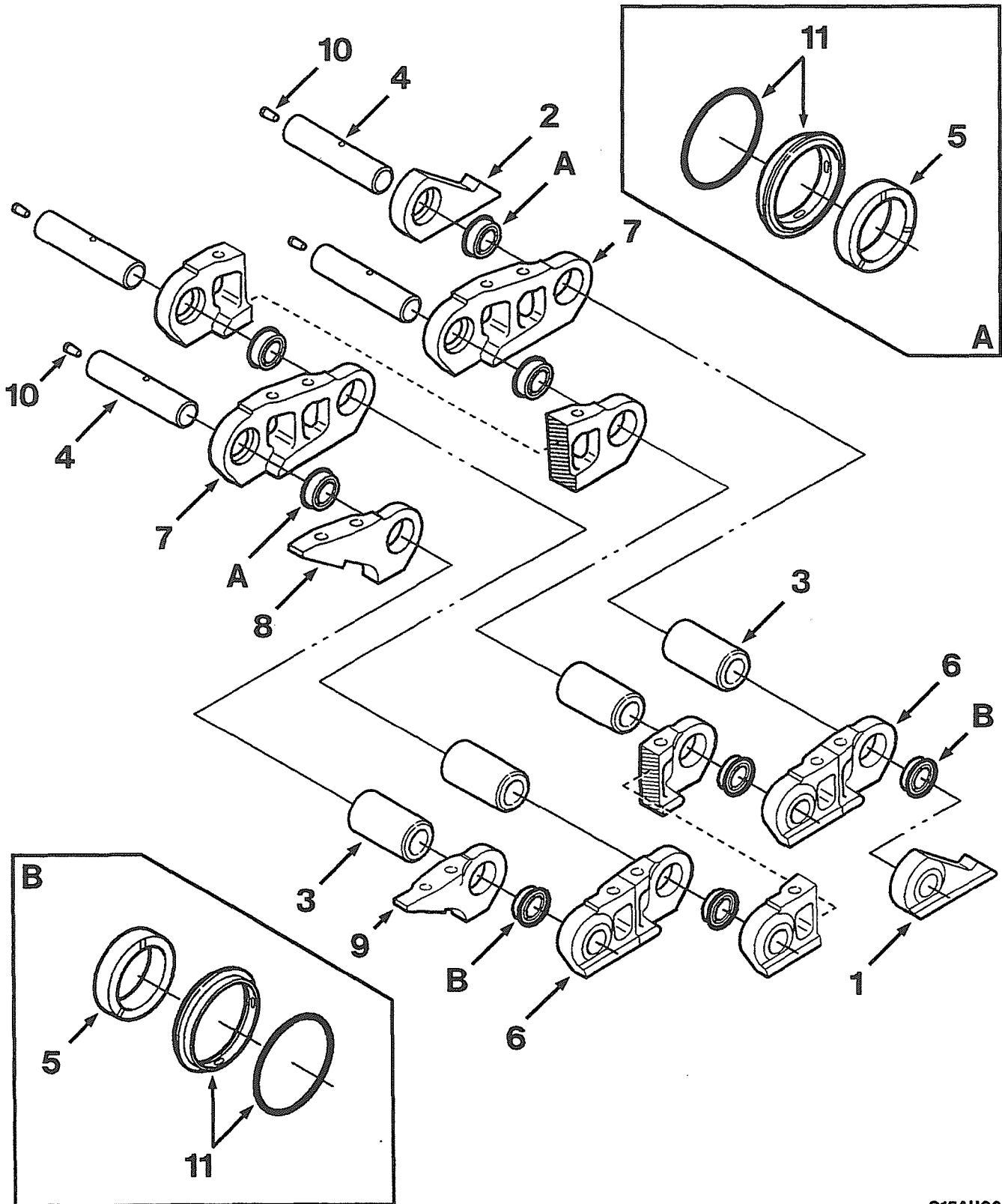
24 IN SWAMP SHOES LOW GROUND PRESSURE

Item	Part Number	Description	Qty.	Ref.
	1281 175 H91	SWAMP TRACK SHOES	1	F1
1	1243 442 H1	.SHOE, TRACK	78	
2	616 199 C4	.BOLT, CHAIN LINK - SHORT	152	
3	1236 990 H2	.BOLT, CHAIN LINK - LONG	152	
4	1236 990 H2	.BOLT, MASTER LINK - SHORT	4	
5	1245 074 H2	.BOLT, MASTER LINK - LONG	4	
6	616 200 C1	.NUT, TRACK SHOE	304	
7	1258 970 H91	.BAR, C-FRAME RUB	2	
	24 875 R1	.BOLT, HEX - 5/8NCx2	8	
	25 547 R1	.WASHER, FLAT - 5/8	8	
8	1258 997 H1	.SHIM, RUB BAR	AR	
9	1281 017 H1	.STEP, FOOT	2	
	24 874 R1	.BOLT, HEX - 5/8NCx1-3/4	4	
	25 537 R1	.WASHER, FLAT - 5/8	8	
	25 528 R1	.NUT, HEX - 5/8NC	4	

F1 - PART NUMBER IS A NON-SERVICE PART AND IS LISTED FOR REFERENCE ONLY.
ORDER INDIVIDUAL PIECE PARTS.

WHEELS AND TRACTION

LUBRICATED TRACK SYSTEM



C15AH005

WHEELS AND TRACTION

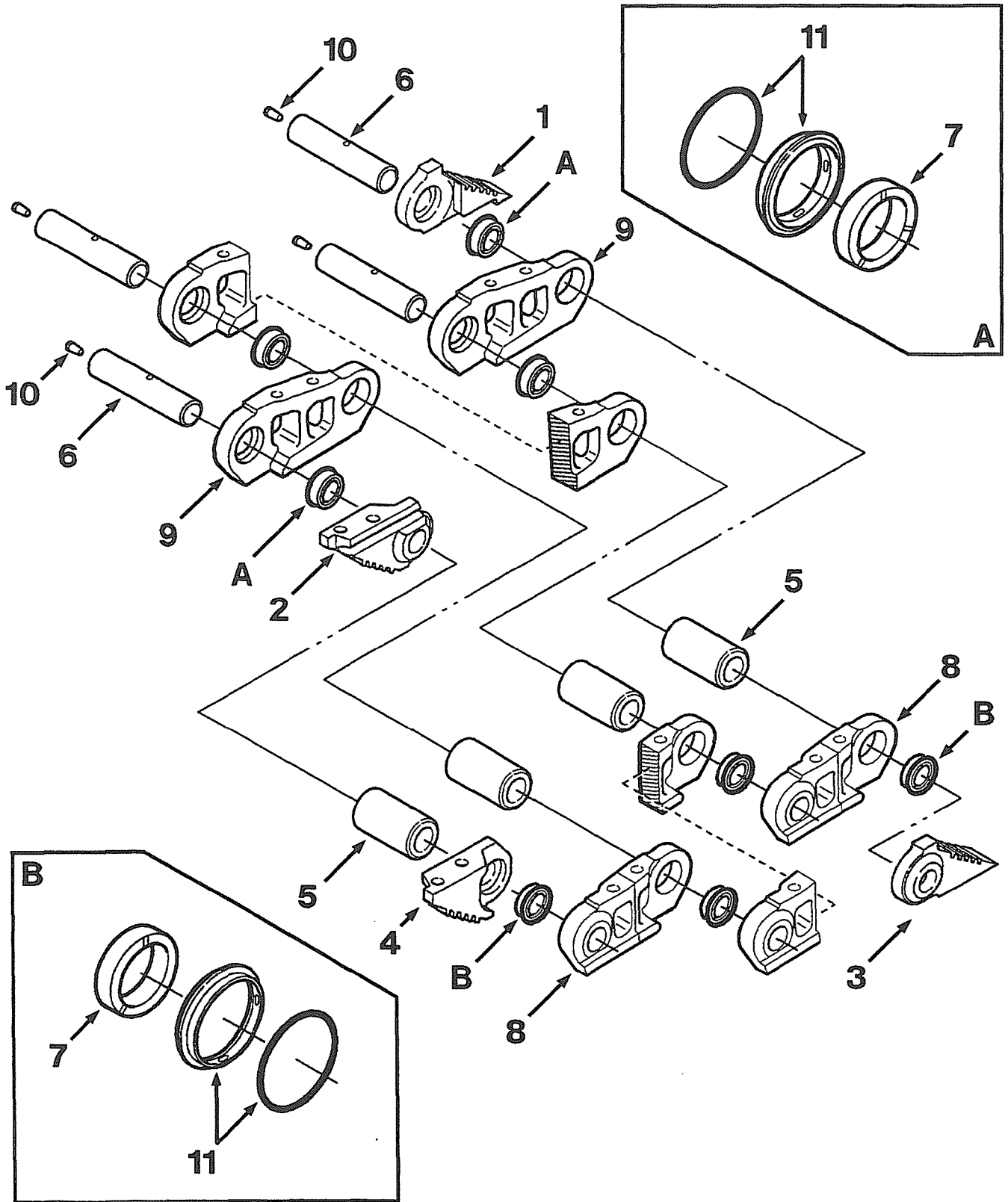
LUBRICATED TRACK SYSTEM

Item	Part Number	Description	Qty.	Ref.
	1281 172 H91	LUBRICATED TRACK SYSTEM	1	F1
	1281 311 H91	..CHAIN ASSY, TRACK	2	
1	1236 887 H1	..LINK, RIGHT MASTER - PIN END	1	
2	1236 886 H1	..LINK, LEFT MASTER - PIN END	1	
3	1237 191 H1	..BUSHING, CHAIN LINK	39	
4	1237 193 H1	..PIN, CHAIN LINK	39	
5	1237 196 H1	..WASHER, THRUST	78	
6	1236 891 H1	..LINK, RIGHT CHAIN	38	
7	1236 890 H1	..LINK, LEFT CHAIN	38	
8	1236 888 H1	..LINK, LEFT MASTER - BUSHING END	1	
9	1236 889 H1	..LINK, RIGHT MASTER - BUSHING END	1	
10	739 158 C1	..PLUG, PIN	39	
11	1252 955 H91	..SEAL, CHAIN	78	
	1236 990 H2	..BOLT, TRACK SHOE	4	
	1281 308 H91	..CHAIN WITH 18 IN SHOES	2	
		..CHAIN, TRACK - SEE ABOVE	1	
	1270 461 H1	..SHOE, TRACK (SEE PG 15-002)	39	
	616 199 C4	..BOLT, TRACK SHOE	152	
	616 200 C1	..NUT, SHOE BOLT	152	
	1281 309 H91	..CHAIN WITH 18 IN SHOES - MUD RELIEF TYPE	2	
		..CHAIN, TRACK - SEE ABOVE	1	
	1270 499 H1	..SHOE, TRACK (SEE PG 15-002)	39	
	616 199 C4	..BOLT, TRACK SHOE	152	
	616 200 C1	..NUT, SHOE BOLT	152	
	1301 753 H91	..CHAIN WITH 20 IN SHOES	2	
		..CHAIN, TRACK - SEE ABOVE	1	
	1299 153 H1	..SHOE, TRACK (SEE PG 15-004)	39	
	616 199 C4	..BOLT, TRACK SHOE	152	
	616 200 C1	..NUT, SHOE BOLT	152	
	1281 312 H91	..CHAIN WITH 24 IN SHOES	2	
		..CHAIN, TRACK - SEE ABOVE	1	
	1236 987 H1	..SHOE, TRACK (SEE PG 15-006)	39	
	616 199 C4	..BOLT, TRACK SHOE	152	
	616 200 C1	..NUT, SHOE BOLT	152	

F1 - PART NUMBER IS A NON-SERVICE PART AND IS LISTED FOR REFERENCE ONLY.
ORDER INDIVIDUAL PIECE PARTS.

WHEELS AND TRACTION

LUBRICATED TRACK SYSTEM MULTIPLE NOTCH SPLIT LINK



C15AH015

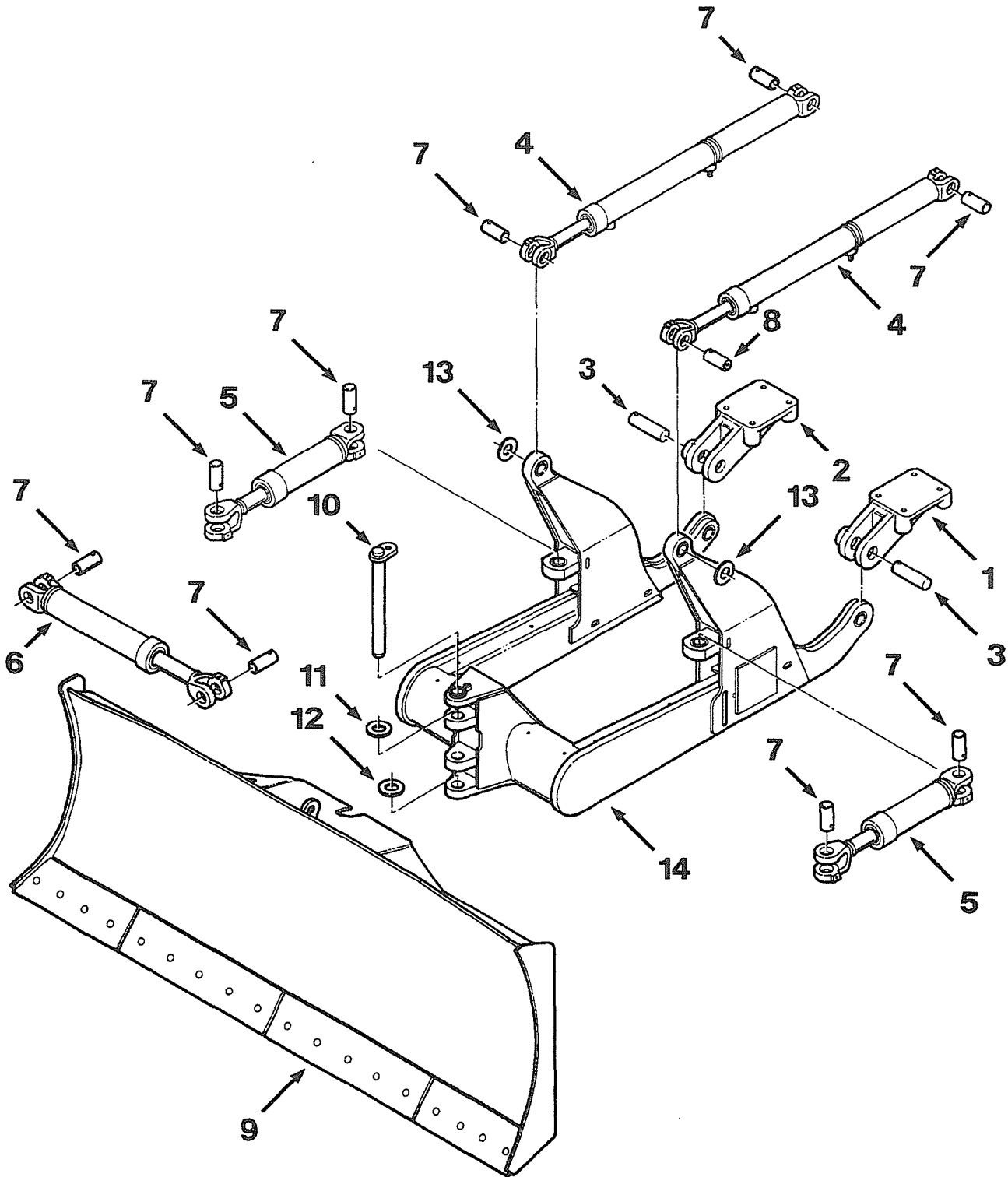
WHEELS AND TRACTION

LUBRICATED TRACK SYSTEM MULTIPLE NOTCH SPLIT LINK

Item	Part Number	Description	Qty. Ref.
	1301 630 H91	CHAIN ASSY, TRACK	2
	1301 328 H91	.LINK ASSY, LEFT SPLIT	1
1	NSS	..LINK, LEFT SPLIT - PIN END	1
2	NSS	..LINK, LEFT SPLIT - BUSHING END	1
	1301 325 H1	..BOLT, SPLIT LINK	2
	1301 329 H91	.LINK ASSY, RIGHT SPLIT	1
3	NSS	..LINK, RIGHT SPLIT - PIN END	1
4	NSS	..LINK, RIGHT SPLIT - BUSHING END	1
	1301 325 H1	..BOLT, SPLIT LINK	2
5	1237 191 H1	.BUSHING, CHAIN LINK	39
6	1237 193 H1	.PIN, CHAIN LINK	39
7	1237 196 H1	.WASHER, THRUST	78
8	1236 891 H1	.LINK, RIGHT CHAIN	38
9	1236 890 H1	.LINK, LEFT CHAIN	38
10	1301 327 H91	.PLUG, PIN	39
11	1301 326 H91	.SEAL, CHAIN	78
	1301 325 H1	.BOLT, SPLIT LINK - LONG	2
	1301 335 H1	.BOLT, SPLIT LINK - SHORT	2

MOUNTED EQUIPMENT

BLADE EQUIPMENT STANDARD TRACK



C17AD008

MOUNTED EQUIPMENT

BLADE EQUIPMENT STANDARD TRACK

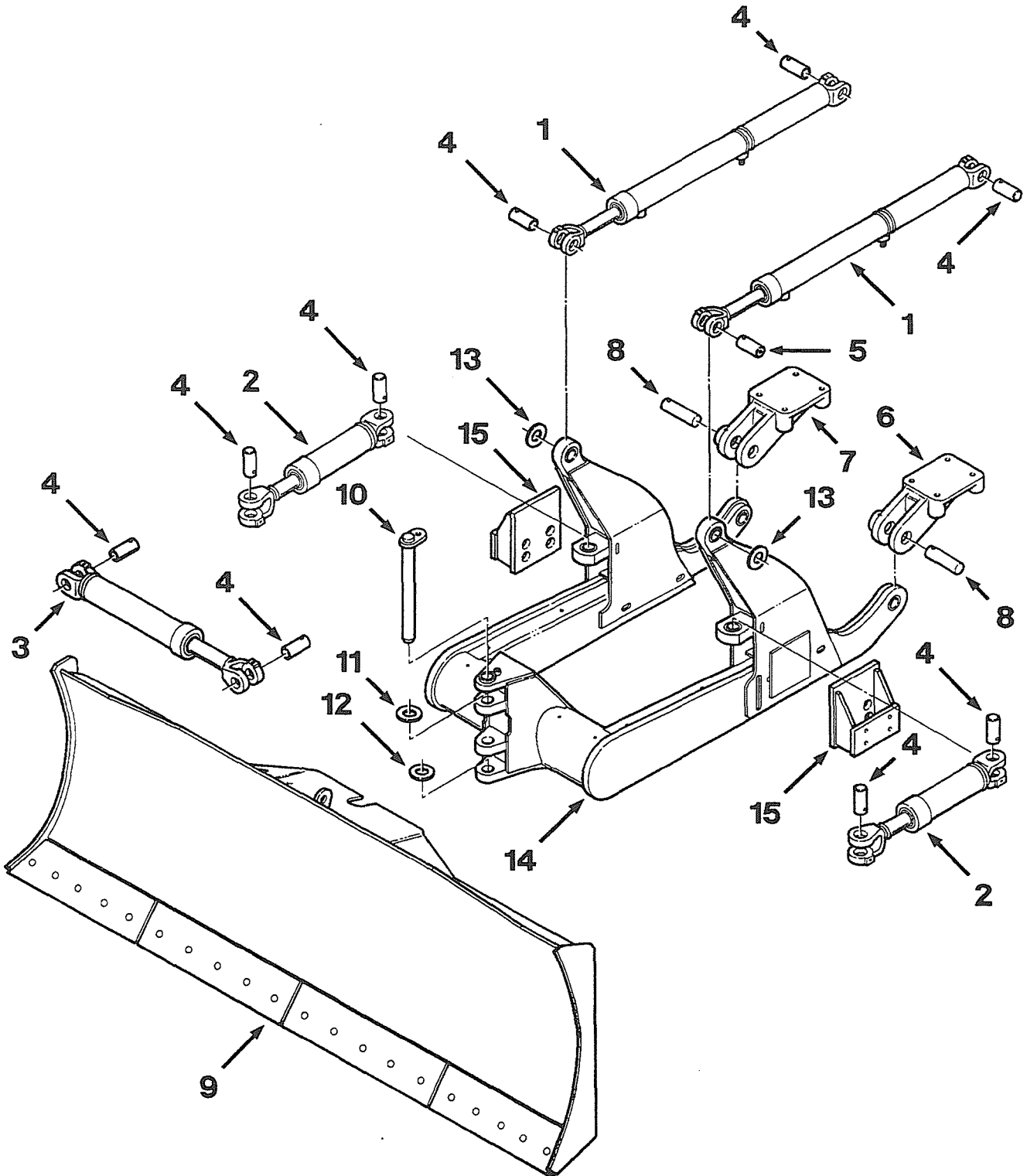
Item	Part Number	Description	Qty.	Ref.
	1262 757 H91	BLADE EQUIPMENT	1	F1
	1262 760 H91	.TRUNNIONS	1	F1
1	1280 387 H91	..TRUNNION, LEFT	1	
	25 646 R1	..BOLT, HEX - 1NCx2-3/4	4	
	25 550 R1	..WASHER, FLAT - 1	4	
2	1280 388 H91	..TRUNNION, RIGHT	1	
	25 646 R1	..BOLT, HEX - 1NCx2-3/4	4	
	25 550 R1	..WASHER, FLAT - 1	4	
3	1279 063 H1	..PIN, C FRAME	2	
	24 880 R1	..BOLT, HEX - 5/8NCx3-1/2	2	
	9412 231	..NUT, LOCK - 5/8NC	2	
	1262 850 H91	.DOZER CYLINDERS	1	F1
4		..CYLINDER, LIFT (SEE PG 10-064)	2	
5		..CYLINDER, ANGLE (SEE PG 10-068)	2	
6		..CYLINDER, TILT (SEE PG 10-066)	1	
7	1270 112 H1	..PIN, MOUNTING	9	
	24 856 R1	..BOLT, HEX - 7/16NCx4	9	
	9413 981	..NUT, LOCK - 7/16NC	9	
8	1279 088 H1	..PIN, MOUNTING	1	
	24 856 R1	..BOLT, HEX - 7/16NCx4	1	
	9413 981	..NUT, LOCK - 7/16NC	1	
9		.BLADE AND ANGLING FRAME (SEE PG 17-006)	1	
10	1270 296 H91	.PIN, LOCK	1	
	24 859 R1	.BOLT, HEX - 1/2NCx3/4	1	
	932 278 C1	.WASHER, FLAT - 1-3/8	1	
11	1209 358 H1	.SHIM, FRAME - 0.090 IN	AR	F2
12	1209 358 H1	.SHIM, FRAME - 0.090 IN	1	
13	1209 358 H1	.SHIM, FRAME - 0.090 IN	2	
14		.FRAME, C (SEE PG 17-012)	1	
		.TUBING AND HOSES (SEE PG 10-006 THRU 10-014)	1	

F1 - PART NUMBER IS A NON-SERVICE PART AND IS LISTED FOR REFERENCE ONLY.
ORDER INDIVIDUAL PIECE PARTS.

F2 - MINIMUM OF 1 SHIM TO A MAXIMUM OF 2 SHIMS USED AT THIS POSITION.

MOUNTED EQUIPMENT

BLADE EQUIPMENT LOW GROUND PRESSURE



C17AD009

MOUNTED EQUIPMENT

BLADE EQUIPMENT LOW GROUND PRESSURE

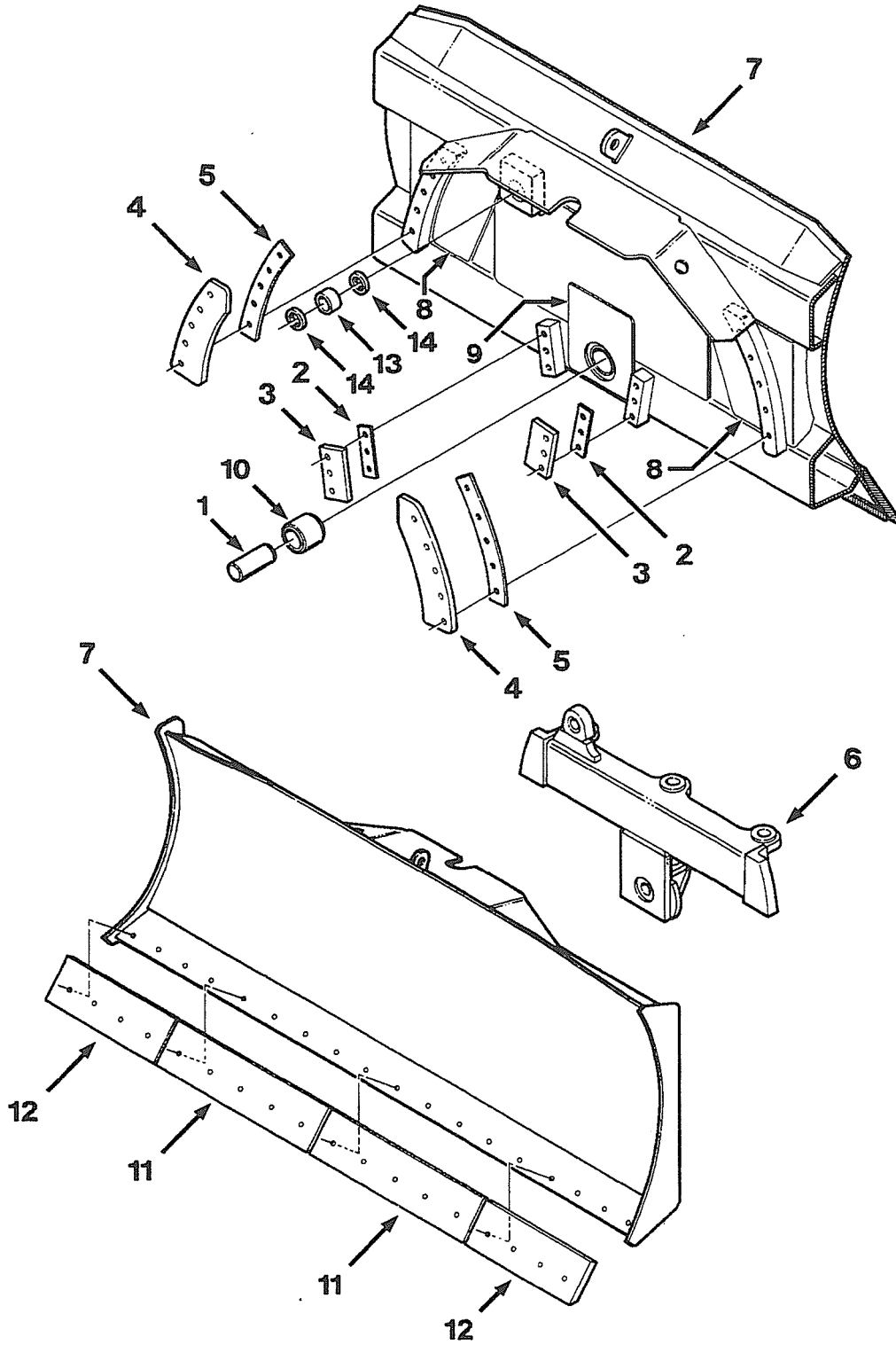
Item	Part Number	Description	Qty.	Ref.
	1268 384 H91	BLADE EQUIPMENT	1	F1
	1262 850 H91	.DOZER CYLINDERS	1	F1
1		..CYLINDER, LIFT (SEE PG 10-064)	2	
2		..CYLINDER, ANGLE (SEE PG 10-068)	2	
3		..CYLINDER, TILT (SEE PG 10-066)	1	
4	1270 112 H1	..PIN, MOUNTING	9	
	24 856 R1	..BOLT, HEX - 7/16NCx4	9	
	9413 981	..NUT, LOCK - 7/16NC	9	
5	1279 088 H1	..PIN, MOUNTING	1	
	24 856 R1	..BOLT, HEX - 7/16NCx4	1	
	9413 981	..NUT, LOCK - 7/16NC	1	
	1262 760 H91	.TRUNNIONS	1	F1
6	1280 387 H91	..TRUNNION, LEFT	1	
	25 646 R1	..BOLT, HEX - 1NCx2-3/4	4	
	25 550 R1	..WASHER, FLAT - 1	4	
7	1280 388 H91	..TRUNNION, RIGHT	1	
	25 646 R1	..BOLT, HEX - 1NCx2-3/4	4	
	25 550 R1	..WASHER, FLAT - 1	4	
8	1279 063 H1	..PIN, C FRAME	2	
	24 880 R1	..BOLT, HEX - 5/8NCx3-1/2	2	
	9412 231	..NUT, LOCK - 5/8NC	2	
9		.BLADE AND ANGLING FRAME (SEE PG 17-008)	1	
10	1270 296 H91	.PIN, LOCK	1	
	24 859 R1	.BOLT, HEX - 1/2NCx3/4	1	
	932 278 C1	.WASHER, FLAT - 1-3/8	1	
11	1209 358 H1	.SHIM, FRAME - 0.090 IN	AR	F2
12	1209 358 H1	.SHIM, FRAME - 0.090 IN	1	
13	1209 358 H1	.SHIM, FRAME - 0.090 IN	2	
14		.FRAME, C (SEE PG 17-012)	1	
		.TUBING AND HOSES (SEE PG 10-006 THRU 10-014)	1	
15		BAR, C FRAME RUB (SEE PG 15-006)	2	

F1 - PART NUMBER IS A NON-SERVICE PART AND IS LISTED FOR REFERENCE ONLY.
ORDER INDIVIDUAL PIECE PARTS.

F2 - MINIMUM OF 1 SHIM TO A MAXIMUM OF 2 SHIMS USED AT THIS POSITION.

MOUNTED EQUIPMENT

BLADE AND ANGLING FRAME STANDARD TRACK



C17AV019

MOUNTED EQUIPMENT

BLADE AND ANGLING FRAME STANDARD TRACK

Item	Part Number	Description	Qty.	Ref.
	1270 113 H95	BLADE AND ANGLING FRAME	1	F1
1	620 693 C2	.PIN, BLADE TO ANGLING FRAME	1	
2	1267 333 H1	.SHIM, LOWER RETAINER PLATE	AR	F2
3	1267 334 H1	.PLATE LOWER RETAINER	2	
	24 890 R1	.BOLT, HEX - 3/4NCx2-1/2	6	
4	1267 332 H1	.PLATE, UPPER RETAINER	2	
	24 890 R1	.BOLT, HEX - 3/4NCx2-1/2	10	
5	1267 331 H1	.SHIM, UPPER RETAINER PLATE	AR	F3
6		.FRAME, ANGLING (SEE PG 17-010)	1	
	1270 114 H94	.BLADE ASSY, DOZER	1	
	1270 115 H94	..BLADE SUB ASSY	1	F1
7	NSS	...BLADE, DOZER	1	
8	1282 813 H1	...PLATE, WEAR	2	
9	1282 814 H1	...PLATE, WEAR	1	
10	705 734 C1	...BUSHING, PIN	1	
11	1282 468 H1	..EDGE, INNER CUTTING	2	
	646 534 C1	..BOLT, PLOW	10	
	25 529 R1	..NUT, HEX - 3/4NC	10	
12	1283 143 H1	..EDGE, OUTER CUTTING	2	
	646 534 C1	..BOLT, PLOW	8	
	25 529 R1	..NUT, HEX - 3/4NC	8	
13	1268 300 H1	..BEARING, NON-LUBE	1	
14	1268 301 H1	..SEAL, PIN	2	

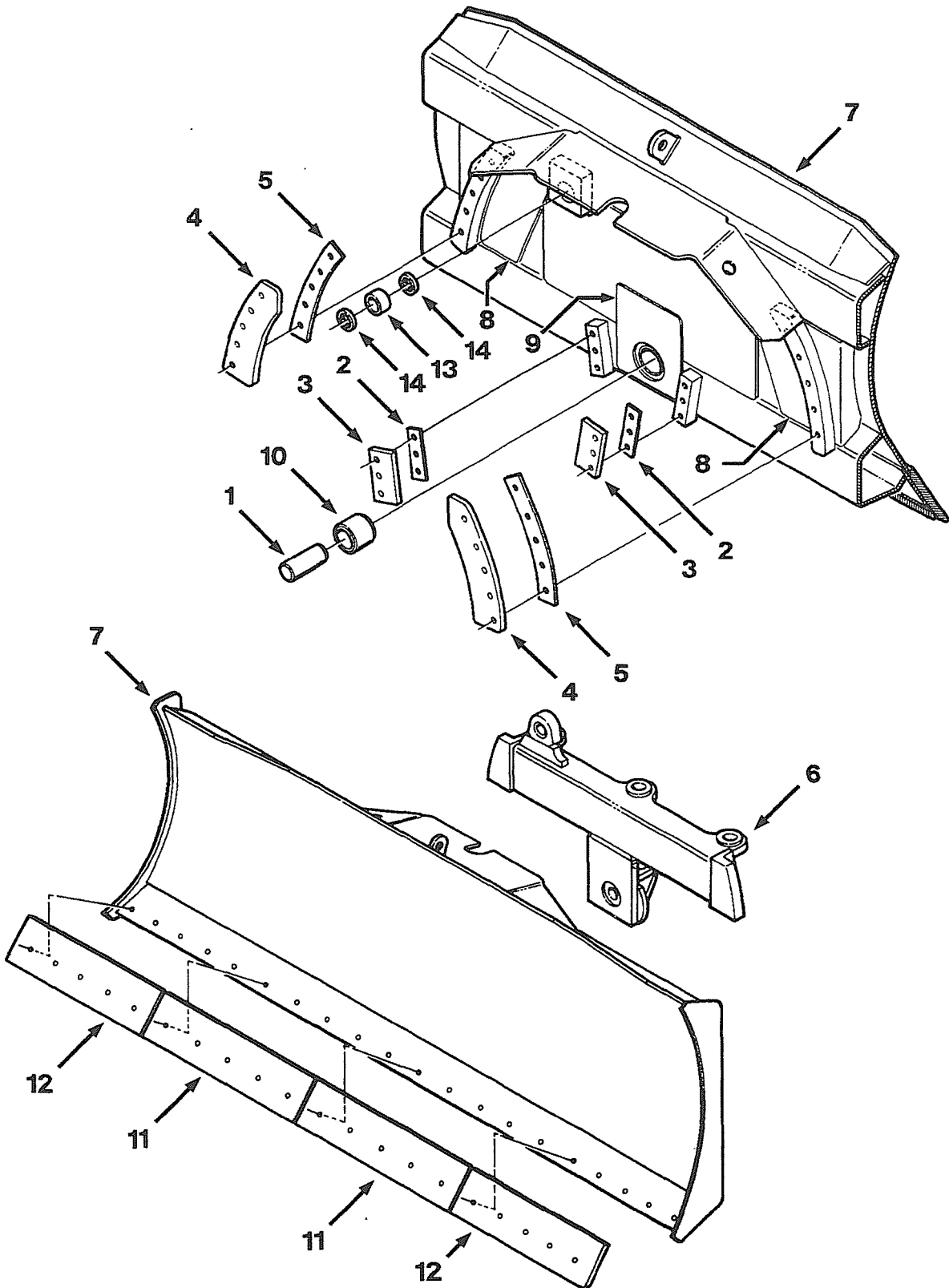
F1 - PART NUMBER IS A NON-SERVICE PART AND IS LISTED FOR REFERENCE ONLY.
ORDER INDIVIDUAL PIECE PARTS.

F2 - MINIMUM OF 1 SHIM TO A MAXIMUM OF 6 SHIMS LOCATED PER SIDE.

F3 - MINIMUM OF 2 SHIM TO A MAXIMUM OF 7 SHIMS LOCATED PER SIDE.

MOUNTED EQUIPMENT

BLADE AND ANGLING FRAME LOW GROUND PRESSURE



C17AV011

MOUNTED EQUIPMENT

BLADE AND ANGLING FRAME LOW GROUND PRESSURE

Item	Part Number	Description	Qty.	Ref.
	1270 125 H95	BLADE AND ANGLING FRAME	1	F1
1	620 693 C2	.PIN, BLADE TO ANGLING FRAME	1	
2	1267 333 H1	.SHIM, LOWER RETAINER PLATE	AR	F2
3	1267 334 H1	.PLATE LOWER RETAINER	2	
	24 890 R1	.BOLT, HEX - 3/4NCx2-1/2	6	
4	1267 332 H1	.PLATE, UPPER RETAINER	2	
	24 890 R1	.BOLT, HEX - 3/4NCx2-1/2	10	
5	1267 331 H1	.SHIM, UPPER RETAINER PLATE	AR	F3
6		.FRAME, ANGLING (SEE PG 17-010)	1	
	1270 126 H94	.BLADE ASSY, DOZER	1	
	1270 127 H94	..BLADE SUB ASSY	1	F1
7	NSS	...BLADE, DOZER	1	
8	1282 813 H1	...PLATE, WEAR	2	
9	1282 814 H1	...PLATE, WEAR	1	
10	705 734 C1	...BUSHING, PIN	1	
11	1282 468 H1	..EDGE, INNER CUTTING	2	
	646 534 C1	..BOLT, PLOW	10	
	25 529 R1	..NUT, HEX - 3/4NC	10	
12	1283 144 H1	..EDGE, OUTER CUTTING	2	
	646 534 C1	..BOLT, PLOW	10	
	25 529 R1	..NUT, HEX - 3/4NC	10	
13	1268 300 H1	..BEARING, NON-LUBE	1	
14	1268 301 H1	..SEAL, PIN	2	

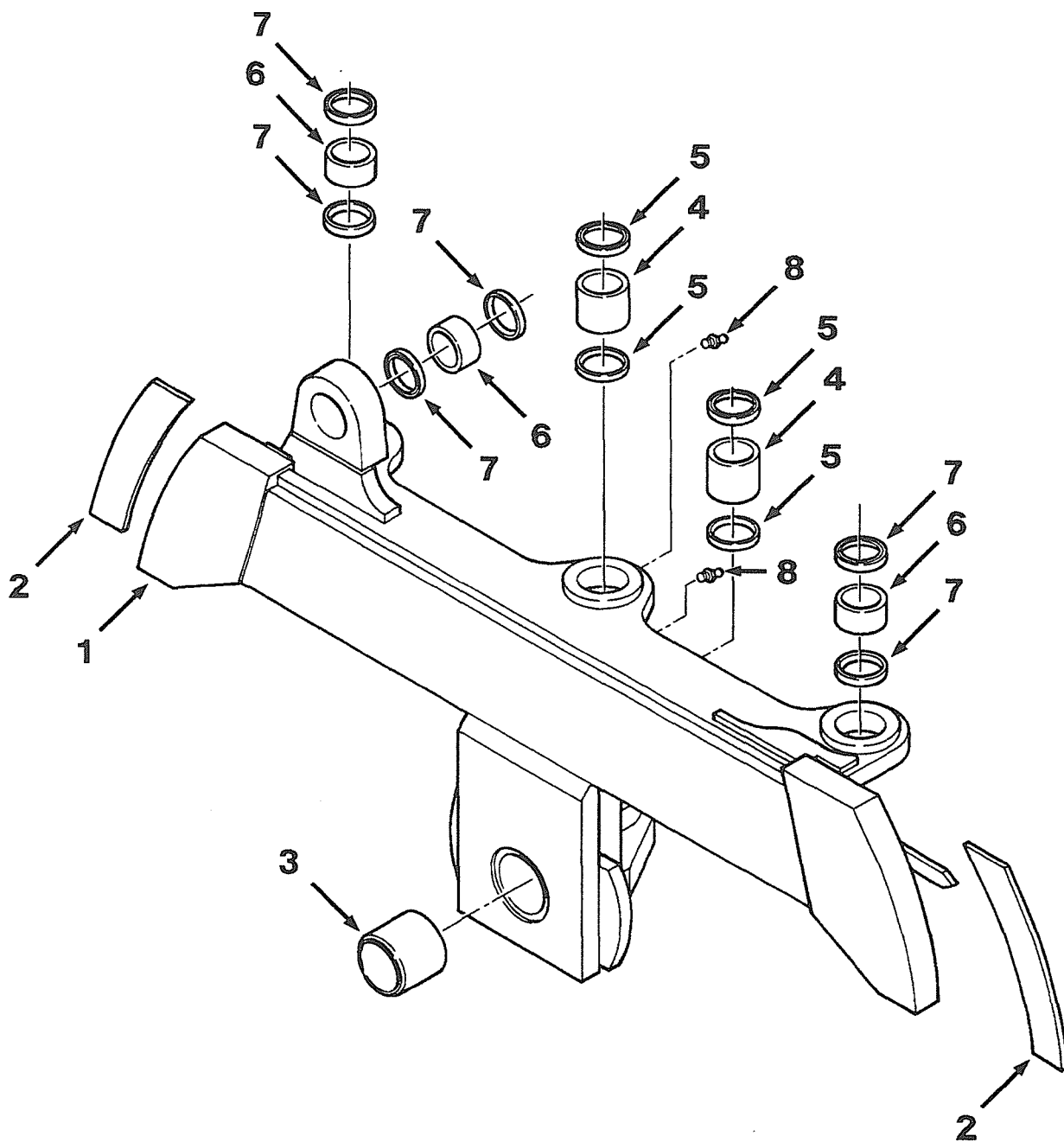
F1 - PART NUMBER IS A NON-SERVICE PART AND IS LISTED FOR REFERENCE ONLY.
ORDER INDIVIDUAL PIECE PARTS.

F2 - MINIMUM OF 1 SHIM TO A MAXIMUM OF 6 SHIMS LOCATED PER SIDE.

F3 - MINIMUM OF 2 SHIM TO A MAXIMUM OF 7 SHIMS LOCATED PER SIDE.

MOUNTED EQUIPMENT

BLADE ANGLING FRAME



C17AV016

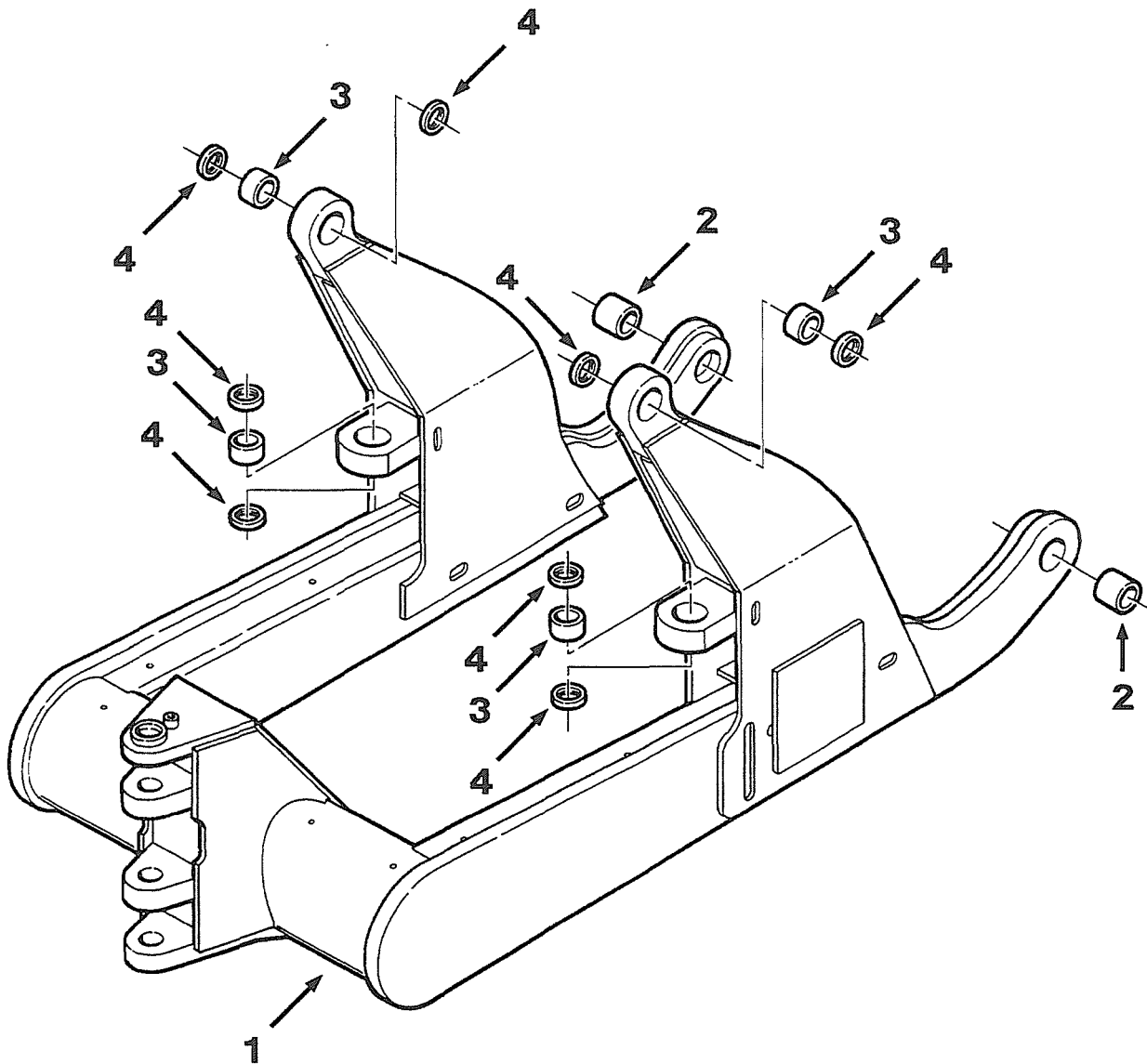
MOUNTED EQUIPMENT

BLADE ANGLING FRAME

Item	Part Number	Description	Qty.	Ref.
	1267 033 H92	FRAME ASSY, BLADE ANGLING	1	
1	NSS	.FRAME, ANGLING	1	
2	1267 234 H1	..PLATE, WEAR	2	
3	1267 233 H1	.BUSHING, MOUNTING PIN	1	
4	620 751 C2	.BUSHING	2	
5	1268 301 H1	.SEAL, PIN	4	
6	1268 300 H1	.BEARING, NON-LUBE	3	
7	1268 301 H1	.SEAL, PIN	6	
8	16 982 R1	.FITTING, LUBE	2	

MOUNTED EQUIPMENT

C FRAME



C17AH005

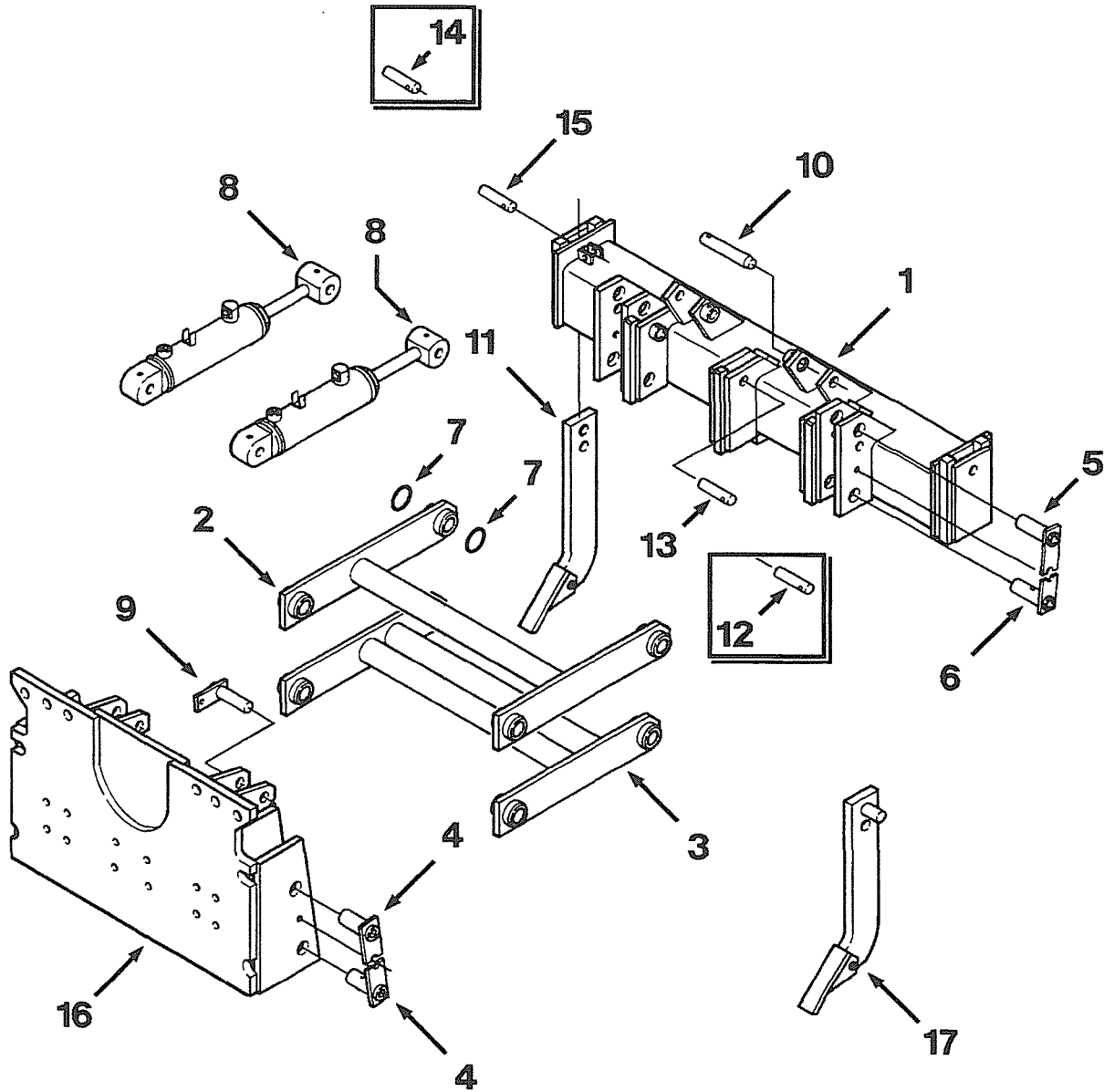
MOUNTED EQUIPMENT

C FRAME

Item	Part Number	Description	Qty.	Ref.
	1302 203 H91	FRAME ASSY, C	1	
1	NSS	.FRAME, C	1	
2	620 665 C1	.BUSHING, TRUNNION PIN	2	
3	1268 300 H1	.BEARING, NON-LUBE	4	
4	1268 301 H1	.SEAL, PIN	8	

MOUNTED EQUIPMENT

RIPPER



C17BV009

MOUNTED EQUIPMENT

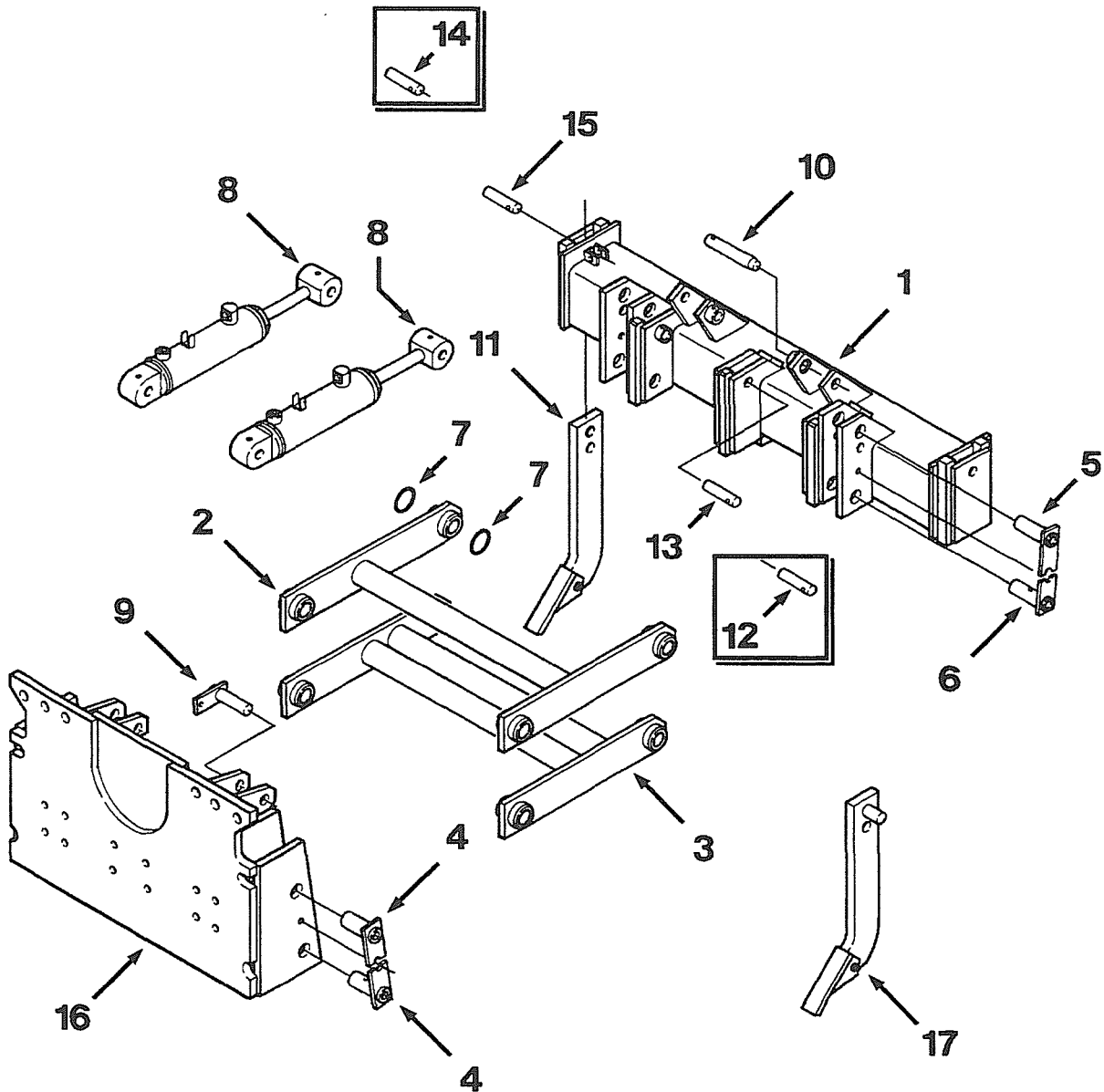
RIPPER

Item	Part Number	Description	Qty.	Ref.
	1281 349 H91	RIPPER	1	F1
	701 488 C91	.FRAME AND STABILIZER	1	F1
1		..TOOLBEAM	1	F2
1	541 027 R2	..TOOLBEAM	1	F3
2		..LINK, UPPER CONNECTING (SEE PG 17-018)	1	
3		..LINK, LOWER CONNECTING (SEE PG 17-018)	1	
4	541 037 R1	..PIN, LINK	4	
	271 547	..BOLT, HEX - 5/8NCx1-1/2	2	
	23 276 R1	..WASHER, FLAT - 5/8	2	
	121 574	..WASHER, LOCK - 5/8	2	
	492 389 R1	..KEEPER, BOLT	2	
	109 461	..FITTING, LUBE	4	
5	540 998 R1	..PIN, REAR UPPER LINK	2	
	271 547	..BOLT, HEX - 5/8NCx1-1/2	2	
	23 276 R1	..WASHER, FLAT - 5/8	2	
	121 574	..WASHER, LOCK - 5/8	2	
	492 389 R1	..KEEPER, BOLT	2	
	109 461	..FITTING, LUBE	2	
6	541 001 R1	..PIN, REAR LOWER LINK	2	
	109 461	..FITTING, LUBE	2	
7	541 003 R1	..RING, CORD	16	
	701 489 C91	.CYLINDERS	1	F1
8		..CYLINDER, RIPPER (SEE PG 10-070)	2	
	109 461	..FITTING, LUBE	4	
9	541 004 R1	..PIN, CYLINDER	2	
	24 863 R1	..BOLT, HEX - 1/2NCx1-3/4	2	
	120 384	..WASHER, LOCK - 1/2	2	
	21 330 R1	..NUT, HEX - 1/2NC	2	
10	851 506 C1	..PIN, CYLINDER	2	
	378 484 R1	..PIN, HEADED - 5/16x2	2	
	12 235 R1	..PIN, COTTER - 1/8x5/8..	2	
		.TUBING AND HOSES (SEE PG 10-018)	1	
	701 491 C91	.TOOTH AND PINS	1	F1
11		..TOOTH, RIPPER (SEE PG 17-020)	3	
12	392 158 R1	..PIN, INNER TOOTH	1	F4
	180 033	..BOLT, HEX - 1/4NCx1-3/8	1	

CONTINUED ON NEXT PAGE

MOUNTED EQUIPMENT

RIPPER



C17BV009

MOUNTED EQUIPMENT

RIPPER

Item	Part Number	Description	Qty.	Ref.
	23 911 R1	..NUT, LOCK - 1/4NC	1	
13	1303 822 H1	..PIN, INNER SHANK	1	F5
	180 044	..BOLT, HEX - 1/4NCx2	1	
	23 911 R1	..NUT, LOCK - 1/4NC	1	
14	540 982 R1	..PIN, OUTER TOOTH	2	F4
	20 248 R1	..BOLT, HEX - 3/8NCx2-1/4	2	
	17 044 R1	..NUT, LOCK - 3/8NC	2	
15	1303 822 H1	..PIN, OUTER SHANK	2	F5
	180 044	..BOLT, HEX - 1/4NCx2	2	
	23 911 R1	..NUT, LOCK - 1/4NC	2	
	1281 356 H91	..FRAME AND MOUNTING	1	F1
16	1281 353 H91	..FRAME, MOUNTING	1	
	24 890 R1	..BOLT, HEX - 3/4NCx2-1/2	8	
	25 848 R1	..BOLT, HEX - 1-1/8NCx3	4	
17		TOOTH, ADDITIONAL (SEE PG 17-020)	1	

F1 - PART NUMBER IS A NON-SERVICE PART AND IS LISTED FOR REFERENCE ONLY.
ORDER INDIVIDUAL PIECE PARTS.

F2 - USES THREE DIFFERENT STYLE PINS TO MOUNT RIPPER SHANKS. ORDER THE
THE FOLLOWING PARTS:

541 027 R2	TOOLBEAM	1
1303 822 H1	PIN, SHANK	3
180 044	BOLT, HEX - 1/4NCx2	3
23 911 R1	NUT, LOCK - 1/4NC	3

WHEN ADDITIONAL SHANKS ARE USED ORDER THE APPROPRIATE AMOUNT OF
PINS AND HARDWARE.

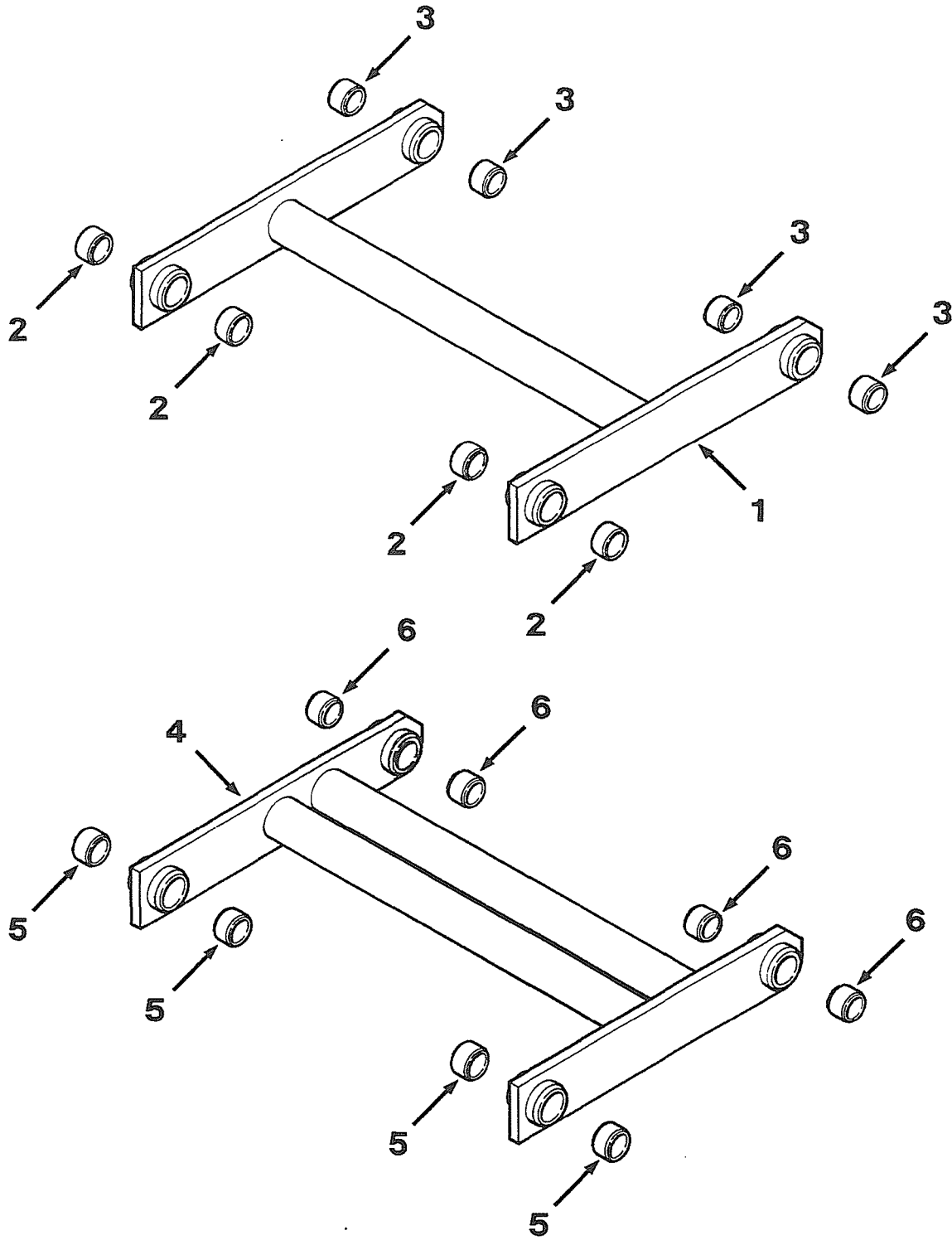
F3 - USES SAME STYLE PINS TO MOUNT SHANKS AT THREE OR FIVE POSITIONS.

F4 - USED WITH EARLY STYLE TOOLBEAM.

F5 - USED WITH LATER STYLE TOOLBEAM.

MOUNTED EQUIPMENT

CONNECTING LINKS



C17BV005

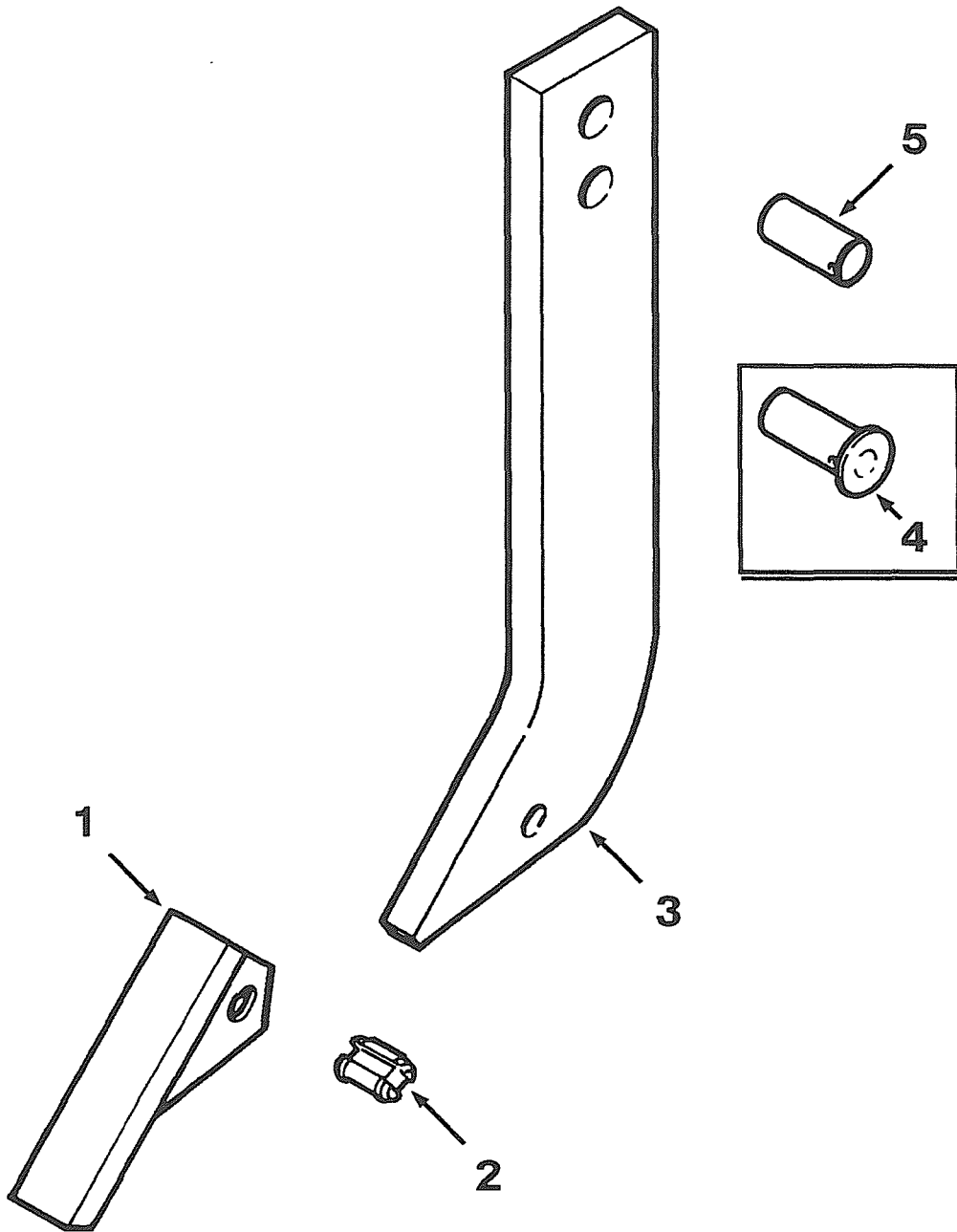
MOUNTED EQUIPMENT

CONNECTING LINKS

Item	Part Number	Description	Qty.	Ref.
	541 032 R1	LINK ASSY, UPPER CONNECTING	1	
1	NSS	.LINK, CONNECTING	1	
2	540 986 R1	.BUSHING, PIN	4	
3	540 987 R1	.BUSHING, PIN	4	
	541 034 R2	LINK ASSY, LOWER CONNECTING	1	
4	NSS	.LINK, CONNECTING	1	
5	540 986 R1	.BUSHING, PIN	4	
6	540 987 R1	.BUSHING, PIN	4	

MOUNTED EQUIPMENT

RIPPER SHANK



C17CR004

MOUNTED EQUIPMENT

RIPPER SHANK

Item	Part Number	Description	Qty.	Ref.
	540 976 R93	SHANK ASSY, RIPPER	3	
1	547 315 R1	.POINT, TOOTH	1	
2	492 406 R1	.PIN, FLEX	1	
3	NSS	.SHANK, RIPPER	1	
	701 494 C91	ADDITIONAL RIPPER TOOTH	1	F1
	540 976 R93	.SHANK ASSY, RIPPER	1	
1	547 315 R1	..POINT, TOOTH	1	
2	492 406 R1	..PIN, FLEX	1	
3	NSS	..SHANK, RIPPER	1	
4	492 472 R2	.PIN, MOUNTING - HEADED TYPE	1	F2
	180 044	.BOLT, HEX - 1/4NCx2	1	
	23 911 R1	.NUT, LOCK - 1/4NC	1	
5	1303 822 H1	.PIN, MOUNTING	1	
	180 044	.BOLT, HEX - 1/4NCx2	1	
	23 911 R1	.NUT, LOCK - 1/4NC	1	

F1 - PART NUMBER IS A NON-SERVICE PART AND IS LISTED FOR REFERENCE ONLY.
ORDER INDIVIDUAL PIECE PARTS.

F2 - USED WITH EARLY STYLE TOOLBARS ONLY.

NUMERICAL INDEX

Part Number	Page No	Part Number	Page No	Part Number	Page No
ST 205 A	07-023	20 791 R1	10-021	24 839 R1	10-023
ST 205 A	07-029	20 791 R1	10-025	24 839 R1	10-025
ST 205 A	07-033	20 791 R1	10-043	24 839 R1	12-023
ST 235	07-033	20 791 R1	12-013	24 839 R1	13-003
ST 265	07-033	21 037 R1	13-067	24 839 R1	13-007
PO 1 403 9	07-083	21 063 R1	10-039	24 839 R1	13-019
PO 1 403 9	07-087	21 277 R1	07-055	24 839 R1	13-023
M 22 352	13-017	21 277 R1	07-061	24 839 R1	13-027
M 93 599	07-083	21 318 R1	07-023	24 839 R1	13-029
M 93 599	07-087	21 330 R1	17-015	24 839 R1	13-039
12 235 R1	17-015	21 335 R1	10-029	24 839 R1	13-041
14 969 L	07-083	21 853 H	04-003	24 839 R1	13-095
14 969 L	07-087	21 924 R1	07-045	24 840 R1	05-007
16 617 R1	05-007	21 924 R1	07-061	24 840 R1	07-005
16 617 R1	12-015	22 256 R1	08-019	24 840 R1	07-037
16 619 R1	04-003	22 256 R1	08-023	24 840 R1	07-069
16 619 R1	12-013	22 256 R1	10-021	24 840 R1	07-071
16 964 R91	10-039	22 256 R1	10-025	24 840 R1	08-019
16 964 R91	12-021	22 390 R1	14-009	24 840 R1	08-023
16 982 R1	17-011	22 410 R1	07-045	24 840 R1	10-003
16 982 R91	10-039	22 410 R1	07-051	24 840 R1	10-011
17 007 R1	10-057	22 410 R1	14-007	24 840 R1	10-015
17 010 R1	07-065	22 470 R1	08-008	24 840 R1	10-019
17 013 R1	07-041	22 470 R1	08-015	24 840 R1	10-043
17 044 R1	17-017	23 221 R1	02-015	24 840 R1	12-021
17 067 R1	07-065	23 276 R1	17-015	24 840 R1	13-003
19 368 R1	13-035	23 394 R1	07-079	24 840 R1	13-013
19 444 R1	05-009	23 624 R1	09-007	24 840 R1	13-015
19 444 R1	10-039	23 840 R1	08-019	24 840 R1	13-019
19 457 R1	04-003	23 840 R1	08-023	24 840 R1	13-021
19 625 R91	04-009	23 840 R1	10-021	24 840 R1	13-023
19 795 R1	04-009	23 840 R1	10-025	24 840 R1	13-025
19 892 R1	07-069	23 911 R1	17-017	24 840 R1	13-027
19 892 R1	07-071	23 911 R1	17-021	24 840 R1	13-029
19 903 R1	14-011	23 979 R1	11-003	24 840 R1	13-039
19 904 R1	07-051	24 480 R1	14-007	24 840 R1	13-041
19 910 R1	13-009	24 621 R1	07-005	24 840 R1	13-045
19 910 R1	13-011	24 737 R1	10-039	24 841 R1	07-047
19 955 R1	07-079	24 838 R1	10-021	24 841 R1	09-003
19 975 R1	05-003	24 838 R1	10-025	24 841 R1	12-007
19 998 R1	09-011	24 839 R1	04-015	24 841 R1	13-095
20 040 R1	07-051	24 839 R1	07-005	24 842 R1	10-007
20 081 R1	12-019	24 839 R1	07-009	24 842 R1	10-011
20 081 R1	12-021	24 839 R1	07-037	24 842 R1	10-015
20 248 R1	17-017	24 839 R1	08-019	24 842 R1	10-019
20 274 R1	11-005	24 839 R1	08-021	24 842 R1	13-095
20 289 R1	13-099	24 839 R1	08-023	24 843 R1	07-047
20 627 R1	11-007	24 839 R1	09-003	24 843 R1	10-007
20 791 R1	08-019	24 839 R1	10-015	24 843 R1	10-011
20 791 R1	08-023	24 839 R1	10-021	24 843 R1	10-015

NUMERICAL INDEX

Part Number	Page No	Part Number	Page No	Part Number	Page No
24 845 R1	07-047	24 869 R1	13-017	25 285 R1	10-011
24 848 R1	13-019	24 872 R1	14-015	25 285 R1	12-003
24 848 R1	13-023	24 872 R1	14-017	25 358 R1	07-083
24 848 R1	13-027	24 874 R1	15-007	25 358 R1	07-087
24 848 R1	13-029	24 874 R1	15-009	25 483 R1	10-035
24 848 R1	13-039	24 875 R1	08-019	25 483 R1	10-037
24 848 R1	13-041	24 875 R1	08-023	25 483 R1	13-003
24 856 R1	17-003	24 875 R1	10-003	25 483 R1	13-007
24 856 R1	17-005	24 875 R1	14-003	25 487 R1	10-035
24 859 R1	06-003	24 875 R1	14-015	25 487 R1	10-037
24 859 R1	10-021	24 875 R1	14-017	25 487 R1	10-037
24 859 R1	10-025	24 875 R1	14-017	25 487 R1	12-013
24 859 R1	17-003	24 875 R1	15-007	25 493 R1	06-005
24 859 R1	17-005	24 875 R1	15-009	25 493 R1	06-007
24 860 R1	05-007	24 876 R1	13-017	25 501 R1	07-047
24 860 R1	10-011	24 878 R1	07-085	25 506 R1	07-003
24 860 R1	13-003	24 878 R1	07-089	25 506 R1	10-003
24 860 R1	13-007	24 878 R1	14-003	25 519 R1	11-003
24 860 R1	13-019	24 880 R1	14-003	25 519 R1	12-003
24 860 R1	13-023	24 880 R1	17-003	25 519 R1	12-027
24 860 R1	13-027	24 880 R1	17-005	25 520 R1	06-005
24 860 R1	13-029	24 881 R1	12-003	25 520 R1	06-007
24 860 R1	13-031	24 882 R1	12-009	25 520 R1	13-019
24 860 R1	13-033	24 883 R1	13-017	25 520 R1	13-023
24 860 R1	13-039	24 888 R1	12-023	25 520 R1	13-027
24 860 R1	13-041	24 889 R1	07-003	25 520 R1	13-029
24 860 R1	14-005	24 889 R1	07-089	25 520 R1	13-039
24 861 R1	04-003	24 889 R1	09-011	25 520 R1	13-041
24 861 R1	04-005	24 890 R1	17-007	25 520 R1	13-067
24 861 R1	05-007	24 890 R1	17-009	25 522 R1	07-037
24 861 R1	07-051	24 890 R1	17-017	25 522 R1	10-007
24 861 R1	07-075	24 891 R1	13-013	25 522 R1	10-011
24 861 R1	12-021	24 891 R1	13-015	25 522 R1	10-013
24 861 R1	13-003	24 895 R1	14-003	25 522 R1	10-015
24 861 R1	13-007	24 998 R1	07-079	25 522 R1	10-019
24 862 R1	13-019	25 126 R1	10-065	25 522 R1	10-043
24 862 R1	13-023	25 126 R1	10-067	25 522 R1	12-007
24 862 R1	13-031	25 126 R1	10-069	25 522 R1	12-009
24 862 R1	13-033	25 126 R1	10-071	25 522 R1	12-013
24 862 R1	14-013	25 222 R1	05-003	25 522 R1	10-021
24 863 R1	07-085	25 222 R1	05-007	25 523 R1	10-025
24 863 R1	07-089	25 222 R1	07-037	25 523 R1	12-013
24 863 R1	14-013	25 222 R1	08-007	25 523 R1	12-019
24 863 R1	17-015	25 222 R1	08-014	25 526 R1	12-021
24 864 R1	04-015	25 222 R1	12-003	25 526 R1	13-017
24 864 R1	13-019	25 222 R1	12-013	25 527 R1	04-003
24 864 R1	13-023	25 228 R1	07-067	25 528 R1	07-085
24 864 R1	13-027	25 228 R1	12-023	25 528 R1	07-089
24 864 R1	13-029	25 228 R1	13-019	25 528 R1	14-015
24 868 R1	14-005	25 228 R1	13-023	25 528 R1	14-017
		25 274 R1	04-003	25 528 R1	15-007

NUMERICAL INDEX

Part Number	Page No	Part Number	Page No	Part Number	Page No
25 528 R1	15-009	25 534 R1	13-041	25 543 R1	13-007
25 529 R1	17-007	25 534 R1	13-045	25 544 R1	06-007
25 529 R1	17-009	25 534 R1	13-067	25 544 R1	07-037
25 530 R1	09-003	25 534 R1	13-095	25 544 R1	07-039
25 532 R1	10-035	25 536 R1	04-003	25 544 R1	08-019
25 532 R1	10-037	25 536 R1	04-005	25 544 R1	08-023
25 532 R1	10-039	25 536 R1	05-007	25 544 R1	09-003
25 532 R1	10-043	25 536 R1	06-003	25 544 R1	09-009
25 532 R1	12-003	25 536 R1	07-003	25 544 R1	10-007
25 532 R1	12-013	25 536 R1	07-075	25 544 R1	10-011
25 532 R1	12-015	25 536 R1	09-005	25 544 R1	10-019
25 533 R1	10-003	25 536 R1	10-003	25 544 R1	12-007
25 533 R1	10-005	25 536 R1	10-011	25 544 R1	12-009
25 533 R1	10-035	25 536 R1	12-003	25 544 R1	12-015
25 533 R1	10-037	25 536 R1	12-013	25 544 R1	12-021
25 533 R1	10-041	25 536 R1	12-021	25 545 R1	07-079
25 533 R1	12-007	25 536 R1	14-005	25 546 R1	04-015
25 533 R1	12-023	25 537 R1	07-085	25 546 R1	07-037
25 534 R1	04-011	25 537 R1	07-089	25 546 R1	07-051
25 534 R1	04-013	25 537 R1	08-019	25 546 R1	09-003
25 534 R1	06-009	25 537 R1	08-023	25 546 R1	09-009
25 534 R1	06-011	25 537 R1	10-003	25 546 R1	10-011
25 534 R1	07-005	25 537 R1	10-043	25 546 R1	12-003
25 534 R1	07-009	25 537 R1	12-009	25 546 R1	13-003
25 534 R1	07-037	25 537 R1	13-017	25 546 R1	13-007
25 534 R1	07-047	25 537 R1	14-003	25 547 R1	12-003
25 534 R1	07-053	25 537 R1	15-007	25 547 R1	14-015
25 534 R1	07-075	25 537 R1	15-009	25 547 R1	14-017
25 534 R1	07-081	25 538 R1	05-007	25 547 R1	15-007
25 534 R1	08-019	25 538 R1	05-011	25 547 R1	15-009
25 534 R1	08-021	25 538 R1	07-003	25 548 R1	13-013
25 534 R1	08-023	25 538 R1	07-089	25 548 R1	13-015
25 534 R1	08-035	25 538 R1	09-011	25 548 R1	14-003
25 534 R1	10-003	25 538 R1	12-013	25 550 R1	13-013
25 534 R1	10-013	25 538 R1	12-015	25 550 R1	13-045
25 534 R1	10-015	25 538 R1	12-025	25 550 R1	17-003
25 534 R1	10-019	25 538 R1	14-015	25 550 R1	17-005
25 534 R1	10-021	25 538 R1	14-017	25 552 R1	13-019
25 534 R1	10-023	25 540 R1	09-003	25 552 R1	13-023
25 534 R1	10-025	25 542 R1	05-003	25 552 R1	13-027
25 534 R1	10-043	25 542 R1	05-007	25 552 R1	13-029
25 534 R1	12-003	25 542 R1	07-037	25 552 R1	13-039
25 534 R1	12-007	25 542 R1	08-007	25 552 R1	13-041
25 534 R1	13-003	25 542 R1	08-014	25 553 R1	05-007
25 534 R1	13-007	25 542 R1	12-013	25 553 R1	08-019
25 534 R1	13-019	25 542 R1	13-003	25 553 R1	08-023
25 534 R1	13-023	25 542 R1	13-007	25 553 R1	10-007
25 534 R1	13-027	25 543 R1	09-003	25 553 R1	10-011
25 534 R1	13-029	25 543 R1	12-007	25 553 R1	10-015
25 534 R1	13-039	25 543 R1	13-003	25 553 R1	10-023

NUMERICAL INDEX

Part Number	Page No	Part Number	Page No	Part Number	Page No
25 553 R1	10-025	25 923 R1	14-015	27 713 R1	07-021
25 553 R1	13-003	25 923 R1	14-017	27 725 R1	12-003
25 553 R1	13-007	25 931 R1	10-041	27 792 R1	13-097
25 553 R1	13-013	25 934 R1	05-005	27 843 R1	07-043
25 553 R1	13-015	25 934 R1	05-007	27 860 R1	06-003
25 553 R1	13-019	25 955 R1	07-065	27 860 R1	12-023
25 553 R1	13-021	25 955 R1	12-007	27 879 R1	09-005
25 553 R1	13-023	25 996 R1	13-013	28 099 R1	07-051
25 553 R1	13-025	25 996 R1	13-045	28 101 R1	07-053
25 553 R1	13-027	26 030 R1	12-015	28 161 R1	08-035
25 553 R1	13-029	26 052 R1	10-039	28 232 R1	12-013
25 553 R1	13-039	26 052 R1	12-021	28 265 R1	07-055
25 553 R1	13-041	26 080 R1	13-077	28 265 R1	07-061
25 553 R1	13-095	26 080 R1	13-085	28 390 R1	05-005
25 555 R1	04-003	26 110 R1	12-013	28 496 R1	08-019
25 555 R1	13-005	26 114 R1	05-007	28 496 R1	08-023
25 555 R1	13-007	26 241 H	10-007	29 214 H	07-085
25 555 R1	13-017	26 241 H	10-011	29 214 H	07-087
25 555 R1	13-019	26 241 H	10-015	29 215 H	07-085
25 555 R1	13-023	26 258 R1	10-039	29 215 H	07-087
25 555 R1	13-027	26 269 R1	10-003	29 216 H	07-085
25 555 R1	13-029	26 269 R1	10-005	29 216 H	07-087
25 555 R1	13-039	26 269 R1	10-035	30 002 R1	07-031
25 555 R1	13-041	26 269 R1	10-037	30 003 R1	07-031
25 555 R1	14-005	26 309 R1	06-007	30 003 R1	08-007
25 556 R1	13-017	26 309 R1	07-053	30 003 R1	08-014
25 635 R1	10-033	26 309 R1	13-003	30 005 R1	07-031
25 646 R1	17-003	26 309 R1	13-007	30 019 R1	07-033
25 646 R1	17-005	26 310 R1	12-015	30 019 R1	08-007
25 654 R1	12-007	26 311 R1	09-009	30 019 R1	08-014
25 658 R1	13-017	26 312 R1	07-039	30 020 R1	12-003
25 680 R1	07-085	26 316 R1	04-003	30 020 R1	13-051
25 680 R1	07-089	26 317 R1	09-003	30 021 R1	13-051
25 680 R1	13-017	26 317 R1	09-009	30 021 R1	13-069
25 705 R1	07-003	26 317 R1	13-005	30 021 R1	13-073
25 705 R1	07-035	26 317 R1	13-007	30 022 R1	07-031
25 709 R1	13-071	26 318 R1	07-003	30 024 R1	07-003
25 709 R1	13-075	26 322 R1	07-085	30 028 R1	06-009
25 710 R1	08-007	26 322 R1	07-089	30 041 R1	08-007
25 710 R1	08-014	26 720 R1	09-003	30 041 R1	08-014
25 740 R1	09-003	26 957 R1	09-003	30 041 R1	12-023
25 760 R1	09-003	26 974 R1	07-079	30 043 R1	12-003
25 762 R1	09-003	27 036 R1	10-041	30 167 R1	13-085
25 769 R1	04-011	27 122 R1	10-039	30 167 R1	13-089
25 769 R1	04-013	27 122 R1	12-015	30 167 R1	13-091
25 769 R1	07-027	27 128 H	07-037	30 167 R1	13-093
25 848 R1	17-017	27 347 R1	07-027	30 176 R1	07-003
25 883 R1	04-007	27 411 R1	07-011	30 176 R1	08-007
25 903 R1	07-039	27 432 R1	07-059	30 176 R1	08-014
25 910 R1	09-003	27 712 R1	07-021	30 176 R1	13-051

NUMERICAL INDEX

Part Number	Page No	Part Number	Page No	Part Number	Page No
30 176 R1	13-069	56 256 H	07-085	104 067	10-029
30 176 R1	13-073	56 256 H	07-087	104 068	13-009
30 177 R1	08-007	56 257 H	07-085	104 068	13-011
30 177 R1	08-014	56 257 H	07-087	104 938	07-065
30 184 R1	13-051	56 258 H	07-085	104 939	07-083
30 192 R1	12-013	56 258 H	07-087	104 939	07-087
30 193 R1	13-095	65 482	07-023	104 942	09-007
30 209 R1	12-013	70 427 R1	07-083	105 407	09-005
30 209 R1	13-009	70 427 R1	07-087	105 413	09-005
30 209 R1	13-011	70 928	13-077	105 422	07-043
30 239 R1	13-097	73 736	06-005	106 497	11-003
30 264 R1	13-077	74 420 R1	07-079	109 390	13-085
30 264 R1	13-079	77 427	07-023	109 454	04-007
30 270 R1	12-013	91 726	13-081	109 454	04-009
30 271 R1	13-097	92 575 H	07-079	109 454	04-011
30 272 R1	13-097	94 364 R91	07-085	109 454	04-013
30 289 R1	13-077	94 364 R91	07-087	109 454	05-007
30 302 R1	12-003	94 365 R91	07-085	109 454	05-011
30 325 R1	13-051	94 365 R91	07-087	109 454	10-039
30 325 R1	13-055	94 366 R1	07-085	109 454	12-013
30 325 R1	13-059	94 366 R1	07-087	109 454	12-015
30 325 R1	13-069	98 959 R1	12-027	109 461	14-013
30 325 R1	13-071	101 896 R1	07-023	109 461	17-015
30 325 R1	13-073	102 613 R91	04-011	111 316	12-023
30 325 R1	13-075	102 613 R91	04-013	112 700 R1	07-075
30 481 R1	13-071	103 321	07-023	114 217 R1	13-079
30 481 R1	13-075	103 322	07-023	115 093	07-069
30 577 R1	13-055	103 361	05-007	115 093	07-071
30 694 R1	13-051	103 361	07-037	115 093	14-007
30 918 R1	13-063	103 361	08-019	115 314	07-083
30 918 R1	13-065	103 361	08-023	115 314	07-087
31 006 R1	13-045	103 361	10-021	115 314	14-003
31 006 R1	13-055	103 361	10-025	115 707	02-019
31 006 R1	13-057	103 361	12-013	115 997	11-003
31 006 R1	13-069	103 362	10-039	116 117	11-003
31 006 R1	13-073	103 362	10-041	116 120	07-065
31 006 R1	13-077	103 362	10-043	116 120	07-067
31 143 R1	13-061	103 373	05-007	116 121	04-003
31 143 R1	13-063	103 373	10-043	116 121	07-085
31 143 R1	13-065	103 373	12-015	116 121	07-089
31 148 R1	08-008	103 373	13-067	116 121	10-011
31 148 R1	08-015	103 384	07-037	116 121	14-013
39 374 D	10-043	103 384	12-013	116 536	05-007
49 464 DA	12-007	103 385	04-003	117 175	10-043
50 410 DA	14-013	103 647	06-003	117 926	09-007
52 917 R1	07-037	104 036	12-013	119 117	08-019
53 207 D	02-021	104 038	12-013	119 117	08-025
55 490 R91	07-051	104 038	12-019	119 117	10-021
55 491 R91	07-051	104 066	08-019	119 117	10-025
55 492 R1	07-051	104 066	08-023	120 214	06-005

NUMERICAL INDEX

Part Number	Page No	Part Number	Page No	Part Number	Page No
120 214	07-031	121 611 C2	11-007	157 313	08-023
120 214	08-008	122 316 R91	04-003	157 313	10-023
120 214	08-015	124 551	05-007	157 313	10-027
120 214	13-067	126 032	13-003	159 339	11-003
120 217	08-008	126 032	13-007	159 339	13-095
120 217	08-015	126 152	05-003	159 957	13-079
120 217	13-049	126 152	07-037	160 544	10-035
120 217	13-081	127 738	08-021	160 544	10-037
120 221	02-019	129 024	12-011	160 927	07-015
120 361	02-019	129 967 H1	10-003	160 927	07-043
120 375	08-008	131 015	11-003	161 849	07-009
120 375	08-015	131 593	11-003	161 849	07-043
120 375	13-071	131 718	11-003	161 849	10-003
120 375	13-075	134 794 H1	10-011	162 144	07-009
120 376	08-008	134 794 H1	10-015	162 144	07-043
120 376	08-015	137 141	13-059	162 144	10-003
120 377	08-035	137 141	13-071	162 964 H1	13-081
120 377	13-095	137 141	13-075	164 694 H1	08-009
120 380	08-008	138 566	08-009	168 420 R91	07-083
120 380	08-015	138 566	08-016	168 420 R91	07-087
120 380	12-027	140 483 H	05-007	168 421 R91	07-083
120 380	13-077	140 483 H	07-005	168 421 R91	07-087
120 380	13-085	140 483 H	07-071	168 422 R1	07-083
120 380	13-087	140 483 H	07-081	168 422 R1	07-087
120 382	08-035	140 483 H	09-005	170 234 R1	07-083
120 384	10-021	140 483 H	10-007	170 234 R1	07-085
120 384	10-025	144 044	12-027	173 892 C91	05-009
120 384	17-015	144 254	05-005	173 892 C91	10-039
120 389	13-031	144 256	04-003	173 892 C91	10-041
120 389	13-033	145 373	02-004	173 892 C91	10-043
120 391	08-008	145 373	02-009	176 057 H1	06-003
120 391	08-015	145 373	08-021	176 057 H1	12-023
120 391	13-049	145 373	13-013	177 717 R1	08-008
120 392	08-008	145 384	10-023	177 717 R1	08-015
120 392	08-015	145 387	02-004	178 372 R1	07-005
120 393	08-019	145 387	02-009	178 372 R1	09-005
120 393	08-025	145 406	04-003	178 521	11-003
120 393	10-021	145 705 H1	08-009	179 389	11-003
120 393	10-025	149 212 H1	07-023	179 797	07-017
120 396	13-031	150 776 C91	07-005	180 033	17-015
120 396	13-033	150 776 C91	07-011	180 034	13-071
120 396	13-035	150 776 C91	10-003	180 034	13-075
120 613	13-085	153 343 H1	13-017	180 044	17-017
120 614	08-008	153 843 R1	13-095	180 044	17-021
120 614	08-015	156 327	13-071	180 120	08-007
120 614	11-003	156 327	13-075	180 120	08-009
120 614	13-081	156 538	13-031	180 120	08-014
120 930	04-015	156 538	13-033	180 120	08-016
121 574	17-015	157 159	10-003	180 120	13-071
121 608 C1	11-007	157 313	08-019	180 120	13-075

NUMERICAL INDEX

Part Number	Page No	Part Number	Page No	Part Number	Page No
180 122	08-007	279 027 R91	06-003	307 915 R1	10-003
180 122	08-014	279 038 R91	06-003	307 916 R1	10-023
183 039 H1	08-007	280 668 R91	07-083	307 916 R1	10-025
183 039 H1	08-014	280 668 R91	07-085	308 575 C1	10-015
187 540	13-079	280 668 R91	07-087	308 872 R1	09-003
187 540	13-095	281 800 C92	07-037	309 015 R91	02-021
188 472 C1	13-035	281 800 C92	12-015	310 673 R91	10-041
194 298 R1	07-079	290 045 R1	07-011	310 944 R91	02-021
197 420 H2	08-009	294 118 R2	10-021	317 262 R1	07-005
197 420 H2	08-016	294 118 R2	10-025	317 262 R1	07-009
202 207 H1	10-033	296 247 R1	07-005	319 628 R91	14-013
202 451 H1	07-023	296 247 R1	07-011	322 499 R1	10-003
202 451 H1	07-025	296 247 R1	07-043	323 413 R1	12-023
202 602 H1	13-009	296 247 R1	07-045	324 051 R1	07-057
202 602 H1	13-011	296 247 R1	10-003	324 653 R1	12-021
205 079 R1	07-023	296 247 R1	10-021	326 078 R1	10-019
205 368 R91	07-033	296 247 R1	10-023	327 071 R1	08-009
212 012 H1	07-055	296 247 R1	10-025	327 090 R3	07-045
212 012 H1	07-061	296 247 R1	10-027	327 090 R3	07-051
213 383 H1	13-079	297 459 R1	10-045	327 465 R1	12-021
217 904	10-059	297 459 R1	10-047	331 150 R1	04-007
219 760	04-015	299 399 C1	12-027	331 150 R1	12-017
252 707 R1	07-045	299 400 C1	08-007	333 934 R1	07-013
252 707 R1	07-047	299 400 C1	08-014	333 934 R1	07-015
252 738 R1	07-067	299 407 C1	12-027	336 081 R91	07-043
253 172 R1	10-021	299 566 C1	08-007	336 627 R91	07-009
253 172 R1	10-025	299 566 C1	08-014	338 159 R1	14-003
258 400 C1	07-061	299 567 C1	08-007	341 811 R1	09-003
259 190 R1	09-003	299 567 C1	08-014	343 900 R1	07-005
259 246 R1	07-045	299 614 C1	08-007	343 906 R1	07-005
259 246 R1	07-053	299 614 C1	08-014	343 909 R1	07-011
264 055 R2	10-043	299 615 C1	08-007	346 019 R1	05-007
269 174 R1	10-043	299 615 C1	08-014	346 019 R1	07-037
269 192 R1	04-007	301 016 R1	07-045	346 944 R91	07-043
271 547	17-015	301 016 R1	07-053	347 554 R1	07-023
271 647 R1	09-007	301 272 C1	08-007	354 836 R1	07-017
273 062 R1	07-023	301 272 C1	08-014	355 476 R1	04-007
273 355	13-069	303 004 R1	12-013	359 158 R1	07-019
273 355	13-073	306 132 C2	06-003	359 158 R1	10-031
274 287 R2	06-003	306 132 C2	07-007	360 677 R1	04-015
274 957	13-009	306 132 C2	07-009	363 660 R1	08-007
274 957	13-011	306 132 C2	07-011	363 660 R1	08-014
274 957	13-049	306 132 C2	07-015	364 145 R1	10-021
275 804 R1	07-047	306 132 C2	10-005	364 145 R1	10-025
275 804 R1	12-007	306 132 C2	10-009	364 357 C1	06-003
275 804 R1	12-009	306 132 C2	10-013	364 359 C1	13-097
277 606 R1	09-003	306 132 C2	10-017	364 436 R1	07-037
278 688 R1	12-023	307 839 R1	07-037	364 437 R1	04-007
279 025 R91	12-023	307 915 R1	07-011	364 437 R1	12-017
279 026 R91	06-003	307 915 R1	07-041	364 839 R1	07-017

NUMERICAL INDEX

Part Number	Page No	Part Number	Page No	Part Number	Page No
364 839 R1	07-019	390 305 C1	10-029	541 003 R1	17-015
364 839 R1	07-043	391 806 R1	10-003	541 004 R1	17-015
364 839 R1	07-045	392 158 R1	17-015	541 027 R2	17-015
364 839 R1	07-047	396 132 C2	13-097	541 027 R2	17-017
364 839 R1	10-031	404 434 C1	13-035	541 032 R1	17-019
364 885 R1	10-007	417 195 C2	12-027	541 034 R2	17-019
364 885 R1	10-011	432 444	08-021	541 037 R1	17-015
364 885 R1	10-015	432 759	05-007	547 315 R1	17-021
364 885 R1	10-019	436 750	13-081	549 973 C91	02-019
366 694 C1	07-055	443 045 C1	12-023	561 766 C1	12-011
366 694 C1	07-061	443 980	12-023	561 926 C1	08-009
367 478 R1	07-083	443 992	13-095	567 987 R1	07-039
367 478 R1	07-087	443 998	08-008	570 828 R1	07-013
368 269 R1	07-005	443 998	08-015	570 828 R1	07-015
368 269 R1	07-009	443 998	08-035	570 828 R1	07-075
368 269 R1	07-011	444 042	13-095	570 828 R1	10-011
368 269 R1	07-043	444 044	13-095	570 828 R1	10-015
368 269 R1	07-045	444 106	12-023	585 694 R1	07-005
368 269 R1	10-003	444 613	07-043	585 694 R1	07-043
368 269 R1	10-021	444 613	07-067	598 794 R1	13-035
368 269 R1	10-025	444 660	14-009	601 093 C1	09-007
368 269 R1	10-045	444 660	14-011	605 032 C1	10-013
368 269 R1	10-047	444 661	07-051	606 265 C91	07-027
369 751 R1	07-041	444 687	14-007	606 298 C91	11-003
372 181 R91	07-079	444 692	07-065	610 261 C1	07-017
372 182 R91	07-079	453 453 C1	08-008	610 395 R1	13-019
372 183 R91	07-079	453 453 C1	08-015	610 395 R1	13-023
372 184 R91	07-079	453 453 C1	11-005	610 395 R1	13-027
372 821 R1	07-045	454 522 R1	07-083	610 395 R1	13-029
372 821 R1	07-047	454 522 R1	07-087	610 766 C91	07-055
372 821 R1	07-067	459 329 C1	13-079	610 766 C91	07-061
374 011 R91	07-055	459 330 C1	13-079	613 625 C91	12-007
374 011 R91	07-061	468 339 R1	07-003	613 908 C1	09-007
374 041 R1	07-027	468 339 R1	10-003	616 199 C4	15-003
376 463 C1	07-051	476 074 C1	08-021	616 199 C4	15-005
378 478 R1	10-071	476 074 C1	08-023	616 199 C4	15-007
378 484 R1	17-015	481 352 R1	10-011	616 199 C4	15-009
380 633 R1	07-043	492 389 R1	17-015	616 199 C4	15-011
381 342 R92	12-011	492 406 R1	17-021	616 200 C1	15-003
381 873 R1	07-077	492 472 R2	17-021	616 200 C1	15-005
381 873 R1	10-071	529 789 R92	10-071	616 200 C1	15-007
382 137 R1	07-065	529 841 R2	10-071	616 200 C1	15-009
384 539 R1	07-013	529 844 R1	10-071	616 200 C1	15-011
387 371 R1	10-071	529 852 R5	12-011	617 112 C1	07-037
390 305 C1	08-007	540 976 R93	17-021	617 867 C1	13-003
390 305 C1	08-009	540 982 R1	17-017	617 867 C1	13-007
390 305 C1	08-014	540 986 R1	17-019	618 573 R1	14-007
390 305 C1	08-016	540 987 R1	17-019	618 688 C2	12-023
390 305 C1	10-021	540 998 R1	17-015	619 214 C1	07-017
390 305 C1	10-025	541 001 R1	17-015	619 386 R91	07-059

NUMERICAL INDEX

Part Number	Page No	Part Number	Page No	Part Number	Page No
619 387 R1	07-059	621 032 C1	04-015	621 430 C1	14-013
619 586 C91	07-051	621 033 C1	04-015	621 440 C4	14-011
619 621 C91	07-023	621 036 C1	04-015	621 441 C2	14-011
619 621 C91	07-025	621 039 C1	04-015	621 442 C1	14-011
619 893 C1	07-027	621 040 C1	04-015	621 447 C1	14-013
619 896 C1	07-023	621 059 C1	07-079	621 452 C2	14-013
619 896 C1	07-025	621 063 C91	07-079	621 453 C1	14-013
619 897 C1	07-023	621 064 C91	07-079	621 471 C95	14-009
619 897 C1	07-025	621 066 C1	07-079	621 474 C3	14-009
619 898 C1	07-023	621 068 C2	07-079	621 475 C1	14-009
619 898 C1	07-025	621 069 C1	07-079	621 476 C1	14-009
619 899 C1	07-023	621 070 C92	07-079	621 481 C94	14-009
619 951 C1	07-027	621 073 C93	07-081	621 482 C3	14-009
619 954 C1	07-023	621 076 C1	07-079	621 546 C1	09-007
619 955 C1	07-029	621 077 C1	07-079	621 547 C1	09-007
619 956 C1	07-023	621 078 C1	07-079	621 549 C1	09-007
619 956 C1	07-029	621 087 C1	04-015	621 560 C1	14-003
619 957 C1	07-023	621 090 C91	04-015	621 575 C1	09-005
619 957 C1	07-029	621 090 C91	09-007	621 576 C1	09-005
619 958 C1	07-029	621 110 C3	07-083	621 771 C91	08-008
619 959 C1	07-023	621 110 C3	07-087	621 771 C91	08-015
619 961 C1	07-023	621 116 C2	07-083	621 786 C91	09-011
619 964 C1	07-029	621 116 C2	07-087	621 822 C1	04-015
619 965 C1	07-023	621 125 C2	07-083	622 015 C1	09-003
619 967 C1	07-029	621 125 C2	07-087	622 044 C1	14-003
619 972 C1	07-023	621 127 C1	07-085	622 049 C1	14-013
619 972 C1	07-025	621 127 C1	07-087	622 200 C91	07-079
619 982 C91	07-023	621 128 C1	07-085	622 201 C1	07-079
620 626 C1	10-065	621 128 C1	07-087	622 260 C1	07-079
620 629 C1	10-065	621 129 C92	07-085	622 332 C3	07-041
620 629 C1	10-067	621 129 C92	07-087	622 456 C1	06-003
620 629 C1	10-069	621 156 C1	07-003	622 825 C91	14-013
620 630 C95	10-069	621 156 C1	07-045	623 761 C1	02-013
620 631 C2	10-069	621 157 C1	07-003	625 060 C91	07-027
620 633 C1	10-069	621 157 C1	07-045	625 062 C1	07-023
620 635 C94	10-067	621 158 C1	07-003	625 062 C1	07-029
620 636 C1	10-067	621 158 C1	07-045	625 875 C1	07-005
620 638 C1	10-067	621 310 C2	04-003	625 875 C1	09-005
620 665 C1	17-013	621 318 C1	04-003	625 875 C1	13-095
620 693 C2	17-007	621 319 C1	04-003	625 879 C93	07-023
620 693 C2	17-009	621 338 C1	14-003	625 885 C91	07-027
620 751 C2	17-011	621 397 C2	14-015	625 916 C1	07-029
620 862 C1	09-003	621 397 C2	14-017	626 230 C6	10-065
621 005 C1	09-011	621 398 C2	14-015	626 230 C6	10-067
621 006 C1	09-011	621 398 C2	14-017	626 230 C6	10-069
621 018 C1	09-011	621 399 C2	14-015	626 231 C5	10-071
621 025 C1	04-015	621 399 C2	14-017	627 094 C91	07-059
621 026 C1	04-015	621 410 C1	14-003	627 095 C1	07-059
621 027 C1	04-015	621 411 C1	14-003	627 193 C1	07-023
621 028 C1	04-015	621 423 C1	14-003	627 193 C1	07-027

NUMERICAL INDEX

Part Number	Page No	Part Number	Page No	Part Number	Page No
627 670 C1	08-008	653 171 C1	10-011	662 291 C3	07-065
627 670 C1	08-015	653 171 C1	10-015	662 294 C1	07-065
627 670 C1	11-005	653 236 C1	10-011	662 296 C1	07-065
627 686 C1	12-023	654 333 C2	07-069	662 526 C1	14-003
627 686 C1	13-097	654 333 C2	07-071	662 653 C2	02-009
628 083 C2	02-009	654 422 C91	07-051	662 654 C2	02-009
628 095 C1	07-075	655 266 C1	14-007	662 655 C2	02-009
628 135 C4	02-004	655 267 C1	14-009	662 799 C1	14-013
628 156 C91	02-015	655 278 C1	14-011	663 432 C1	12-007
628 588 C1	12-013	655 434 C2	02-004	665 507 C2	02-009
629 325 C4	02-009	656 528 C1	07-009	666 018 C2	07-065
629 326 C4	02-009	657 942 C1	07-069	666 019 C2	07-065
629 836 C91	07-079	657 942 C1	07-071	666 020 C2	04-007
629 838 C1	07-079	657 943 C2	07-069	666 151 C95	07-041
629 839 C1	07-079	657 943 C2	07-071	666 153 C2	07-043
630 411 C1	07-025	657 944 C2	07-069	666 154 C3	07-039
630 411 C1	07-027	657 944 C2	07-071	666 154 C3	07-045
630 694 C91	07-051	657 946 C2	07-069	666 156 C1	09-005
630 695 C1	07-051	657 946 C2	07-071	666 229 C2	07-077
631 169 C91	07-051	657 950 C1	07-069	666 230 C1	07-077
631 170 C91	07-051	657 950 C1	07-071	666 231 C1	07-077
631 944 C1	07-027	657 951 C3	07-045	666 719 R1	10-061
632 287 C1	07-039	657 951 C3	07-047	666 719 R1	10-063
632 341 C1	07-055	659 017 C1	07-041	667 460 C2	02-004
632 341 C1	07-061	659 380 R1	07-029	667 461 C2	02-009
635 988 C94	07-047	659 380 R1	14-007	667 462 C2	02-009
636 888 C3	13-019	659 543 C1	07-079	667 463 C2	02-009
636 888 C3	13-023	659 720 C1	07-045	667 498 C3	02-009
636 888 C3	13-027	659 720 C1	07-061	667 958 C1	07-043
636 888 C3	13-029	659 726 C1	07-045	671 175 C1	14-015
637 937 C91	07-021	659 726 C1	07-061	671 175 C1	14-017
637 975 C1	13-035	659 906 C91	07-061	674 502 C1	12-007
637 983 C1	07-027	659 907 C1	07-055	674 502 C1	12-009
644 865 C3	02-009	659 907 C1	07-061	675 708 R91	04-017
645 240 C1	06-011	659 910 C1	07-043	679 070 C1	13-003
645 272 C1	12-003	659 910 C1	07-055	679 070 C1	13-007
646 534 C1	17-007	659 910 C1	07-061	679 182 C91	07-075
646 534 C1	17-009	659 913 C1	07-043	679 248 C91	07-077
647 084 C1	07-013	659 913 C1	07-055	681 209 C1	13-097
650 382 C91	02-013	659 913 C1	07-061	681 896 C1	10-003
650 382 C91	02-015	659 919 C1	07-059	689 475 C1	10-007
650 382 C92	13-005	660 055 C3	02-009	690 693 R1	07-075
650 456 C3	02-008	660 056 C3	02-009	701 488 C91	17-015
650 792 C91	02-019	662 014 C1	07-043	701 489 C91	17-015
650 866 C1	12-027	662 241 C1	07-067	701 491 C91	17-015
652 341 C1	07-075	662 245 C1	07-067	701 494 C91	17-021
652 817 C1	09-007	662 246 C92	07-067	701 922 C2	12-023
652 827 C1	04-003	662 250 C1	09-005	702 439 C1	11-003
652 829 C1	04-003	662 287 C92	07-065	702 439 C1	12-027
653 171 C1	10-007	662 290 C1	07-065	705 033 C1	07-059

NUMERICAL INDEX

Part Number	Page No	Part Number	Page No	Part Number	Page No
705 055 C1	07-051	709 609 C1	07-061	716 979 C1	07-053
705 075 C1	07-059	709 630 C1	07-061	717 130 C1	07-043
705 473 C1	07-085	709 631 C1	07-045	717 260 C1	09-003
705 473 C1	07-087	709 631 C1	07-055	733 040 C2	09-003
705 492 C1	07-045	709 631 C1	07-061	733 225 C92	04-015
705 492 C1	07-053	709 632 C1	07-045	733 226 C92	04-015
705 493 C1	07-045	709 632 C1	07-055	733 227 C1	04-015
705 493 C1	07-053	709 632 C1	07-061	733 233 C92	04-015
705 494 C1	07-045	709 777 C2	07-055	733 234 C92	04-015
705 494 C1	07-053	709 777 C2	07-061	733 596 C1	07-073
705 495 C1	07-045	709 784 C91	07-061	733 597 C92	07-073
705 495 C1	07-051	709 789 C1	07-055	734 040 C2	07-045
705 496 C1	07-045	709 790 C1	07-055	734 040 C2	07-047
705 496 C1	07-051	709 791 C1	07-061	734 204 C1	07-079
705 497 C1	07-045	709 792 C1	07-061	734 324 C1	07-085
705 497 C1	07-051	709 793 C1	07-061	734 324 C1	07-089
705 499 C1	07-053	709 798 C1	07-053	734 369 C1	07-061
705 734 C1	17-007	709 822 C1	07-061	736 131 C2	08-035
705 734 C1	17-009	709 837 C1	07-055	736 173 C1	13-067
706 173 C92	09-007	709 837 C1	07-061	736 833 C2	02-004
706 443 C2	09-005	709 895 C1	07-051	736 834 C2	02-008
706 658 C1	07-065	709 896 C91	07-051	736 835 C2	02-008
706 670 C1	12-025	710 741 C2	07-009	736 836 C2	02-008
706 715 C93	07-065	710 741 C2	07-011	736 983 C1	07-009
706 722 C2	07-065	710 892 C1	09-003	737 188 C2	08-035
706 770 C1	07-011	716 719 C1	07-055	737 993 C2	02-004
706 843 C1	10-005	716 719 C1	07-061	737 994 C3	02-004
706 844 C1	10-005	716 747 C1	07-045	738 058 C1	07-047
706 980 C91	07-021	716 747 C1	07-053	738 444 C1	07-047
707 253 R1	07-045	716 760 C91	07-051	739 158 C1	15-011
707 253 R1	07-059	716 761 C91	07-051	739 716 C1	08-008
707 303 C1	07-069	716 762 C1	07-051	739 716 C1	08-015
707 303 C1	07-071	716 832 C91	07-057	739 745 C91	11-007
707 304 C1	07-069	716 833 C94	07-055	739 746 H1	11-007
707 304 C1	07-071	716 834 C94	07-061	739 749 C1	11-007
707 308 C1	07-069	716 835 C1	07-061	739 948 C1	08-019
707 308 C1	07-071	716 837 C3	07-063	739 948 C1	08-023
708 417 C1	07-005	716 840 C1	07-045	739 985 C1	08-008
708 417 C1	07-043	716 840 C1	07-053	739 985 C1	08-015
708 560 R1	07-017	716 841 C1	07-045	740 347 C1	11-003
708 849 C1	07-013	716 841 C2	07-051	740 465 C91	04-009
709 176 C2	07-005	716 900 C1	07-085	740 465 C91	05-003
709 475 C1	07-005	716 901 C1	07-089	740 465 C91	05-007
709 575 C1	07-057	716 907 C1	07-055	740 465 C91	05-011
709 576 C1	07-057	716 911 C1	07-047	740 465 C91	07-037
709 577 C1	07-057	716 912 C2	07-045	740 465 C91	12-013
709 579 C1	07-057	716 912 C2	07-047	740 465 C91	12-015
709 589 C1	07-051	716 938 C1	07-079	740 465 C91	12-021
709 590 C1	07-047	716 939 C1	07-079	740 466 C91	04-009
709 601 C93	07-055	716 969 C93	07-051	740 466 C91	05-003

NUMERICAL INDEX

Part Number	Page No	Part Number	Page No	Part Number	Page No
740 466 C91	05-007	930 587 C4	08-015	999 677 R91	02-023
740 466 C91	05-011	931 826 R1	13-087	01010-80820	07-031
740 466 C91	07-037	931 827 R1	13-051	01010-80825	07-031
740 466 C91	12-021	931 827 R1	13-055	01010-80835	07-031
740 528 C1	12-013	931 827 R1	13-071	01437-11055	06-011
740 766 C91	12-013	931 827 R1	13-075	04064-03515	07-033
740 766 C91	12-015	931 828 R1	13-069	04064-04018	07-033
740 986 C2	08-008	931 828 R1	13-073	04064-07225	07-033
740 986 C2	08-015	931 830 R1	08-009	04064-09030	07-033
740 986 C2	08-035	931 830 R1	13-077	07000-A2125	07-033
741 453 C93	07-043	931 833 R1	08-007	1101 601 C2	13-009
741 777 C3	07-061	931 833 R1	08-014	1101 601 C2	13-011
741 778 C3	07-055	931 841 R1	08-009	1105 717 C1	12-011
742 262 C2	07-011	931 841 R1	13-077	1107 479 C1	02-004
742 356 C1	02-004	932 278 C1	17-003	1108 177 C2	12-007
742 356 C1	02-008	932 278 C1	17-005	1120 363 C2	02-004
743 286 C1	14-003	932 449 C1	07-005	1121 090 C2	02-008
743 446 C2	02-005	933 022 C1	10-021	1121 091 C2	02-008
743 446 C2	02-010	933 022 C1	10-025	1121 092 C2	02-009
743 480 C2	02-008	933 029 R1	07-033	1123 824 C1	12-011
743 481 C2	02-008	933 075 R1	04-007	1126 340 C1	02-008
743 482 C2	02-008	933 075 R1	07-033	1126 346 C1	02-008
743 483 C1	02-009	933 076 R1	07-033	1126 347 C1	02-008
743 484 C1	02-009	933 077 R1	07-033	1126 558 C1	13-049
743 485 C1	02-009	933 123 R1	05-011	1128 402 C1	11-003
850 130 C1	10-057	933 123 R1	12-015	1129 092 C1	13-049
850 132 C1	10-057	933 763 R1	13-085	1129 094 C1	13-049
850 133 C1	10-057	933 833 R1	13-079	1129 556 H1	06-003
850 134 C1	10-057	933 965 R1	07-031	1134 719 C1	11-003
850 138 C1	10-059	934 871 R1	13-071	1136 356 C1	13-005
850 144 C1	10-059	934 871 R1	13-075	1136 446 C1	13-035
850 218 C1	08-007	934 946 R1	11-003	1136 447 C1	13-035
850 218 C1	08-014	934 948 C1	13-069	1136 448 C1	13-035
850 880 C1	10-051	934 948 C1	13-073	1136 450 C1	13-035
850 880 C1	10-053	934 948 R1	13-077	1136 520 C1	13-035
850 880 C1	10-055	934 948 R1	13-087	1136 535 C1	13-035
851 506 C1	17-015	934 948 R1	13-095	1136 536 C1	13-035
865 197 R1	05-007	935 522 C1	10-035	1136 537 C1	13-035
870 325 R1	14-003	935 522 C1	10-037	1136 538 C1	13-035
877 949 C2	07-005	935 522 C1	11-005	1136 542 C1	13-037
883 170 C91	10-021	935 522 C1	12-003	1136 543 C1	13-035
883 170 C91	10-025	935 522 C1	12-023	1136 545 C1	13-035
918 131 R1	12-023	935 522 C1	13-079	1136 690 C1	13-031
925 997 C1	13-009	936 658 C1	07-003	1136 690 C1	13-033
925 997 C1	13-011	936 658 C1	07-045	1139 538 C1	13-071
926 903 C1	07-027	940 455 C2	13-087	1139 538 C1	13-075
926 906 C1	07-027	944 817 C2	10-065	114-43-48381	10-037
927 994 C1	10-021	944 817 C2	10-067	1171 134 C2	13-055
927 994 C1	10-025	944 817 C2	10-069	1200 799 H91	13-085
930 587 C4	08-008	990 015 C1	12-027	1200 800 H1	13-085

NUMERICAL INDEX

Part Number	Page No	Part Number	Page No	Part Number	Page No
1200 801 H1	13-085	1209 358 H1	17-003	1212 820 C1	07-061
1201 625 C1	07-005	1209 358 H1	17-005	1212 890 H1	02-004
1201 626 C1	07-009	1209 654 H1	13-085	1212 890 H1	02-009
1201 655 H1	13-031	1209 655 H1	13-085	1213 957 H2	10-015
1201 655 H1	13-033	1209 669 H1	07-083	1214 175 H1	07-009
1202 514 C1	11-007	1209 669 H1	07-085	1214 181 H1	13-087
1206 018 H1	07-073	1209 670 H1	07-083	1214 405 H91	07-083
1206 069 H1	07-083	1209 670 H1	07-085	1214 405 H91	07-085
1206 069 H1	07-085	1209 671 H1	07-083	1214 473 H91	10-021
1207 020 H1	13-089	1209 671 H1	07-087	1214 473 H91	10-025
1207 020 H1	13-091	1209 672 H1	07-083	1214 890 H2	08-008
1207 020 H1	13-093	1209 672 H1	07-087	1214 890 H2	08-015
1207 021 H1	13-089	1209 692 H1	13-087	1216 146 H1	11-007
1207 021 H1	13-091	1210 045 H1	13-089	1216 162 H1	08-008
1207 021 H1	13-091	1210 045 H1	13-091	1216 162 H1	08-015
1207 022 H1	13-089	1210 045 H1	13-093	1216 245 H1	07-061
1207 022 H1	13-091	1210 047 H1	13-089	1219 470 H1	13-093
1207 022 H1	13-093	1210 047 H1	13-091	1219 471 H1	13-093
1207 046 H91	13-089	1210 047 H1	13-093	1220 651 H2	11-003
1207 046 H91	13-091	1210 134 H1	13-085	1223 254 H1	05-003
1207 046 H91	13-093	1210 371 H1	13-085	1228 459 H2	07-055
1207 243 H1	13-089	1210 642 H1	13-035	1228 459 H2	07-061
1207 243 H1	13-091	1210 649 H1	13-031	1232 861 H1	13-085
1207 243 H1	13-093	1210 649 H1	13-033	1233 528 H1	14-007
1207 244 H1	13-089	1210 650 H1	13-031	1233 529 H1	14-007
1207 244 H1	13-091	1210 650 H1	13-033	1233 530 H2	14-007
1207 244 H1	13-093	1210 651 H1	13-031	1233 531 H1	14-007
1207 386 H2	08-008	1210 651 H1	13-033	1233 532 H1	14-003
1207 386 H2	08-015	1210 651 H1	13-033	1233 533 H1	14-007
1208 069 H1	02-004	1210 660 H1	13-031	1233 541 H92	14-007
1208 069 H1	02-008	1210 660 H1	13-033	1233 548 H1	14-007
1208 545 H91	14-007	1210 660 H1	13-037	1234 069 H1	07-069
1208 551 H91	14-009	1210 661 H1	13-035	1234 069 H1	07-071
1208 551 H91	14-011	1210 683 H1	07-021	1235 817 H1	13-095
1208 553 H91	14-007	1211 041 H92	07-017	1236 009 H1	07-037
1208 981 H1	07-083	1211 130 H94	07-069	1236 341 H1	08-007
1208 981 H1	07-085	1211 619 H1	13-081	1236 341 H1	08-014
1208 982 H1	07-083	1211 653 H91	07-077	1236 886 H1	15-011
1208 982 H1	07-087	1211 748 H1	13-085	1236 887 H1	15-011
1208 983 H1	07-083	1211 749 H1	13-085	1236 888 H1	15-011
1208 983 H1	07-087	1211 750 H1	13-085	1236 889 H1	15-011
1209 259 H91	07-083	1211 794 H2	08-033	1236 890 H1	15-011
1209 259 H91	07-085	1211 794 H2	13-083	1236 890 H1	15-013
1209 260 H91	07-083	1211 902 H2	07-089	1236 891 H1	15-011
1209 260 H91	07-085	1212 541 H1	02-004	1236 891 H1	15-013
1209 261 H1	07-083	1212 541 H1	02-009	1236 987 H1	15-007
1209 261 H1	07-085	1212 543 H1	02-004	1236 987 H1	15-011
1209 262 H91	07-083	1212 543 H1	02-009	1236 990 H2	15-009
1209 262 H91	07-085	1212 816 C1	07-055	1236 990 H2	15-011
1209 263 H91	07-083	1212 816 C1	07-061	1237 191 H1	15-011
1209 263 H91	07-085	1212 820 C1	07-055		

NUMERICAL INDEX

Part Number	Page No	Part Number	Page No	Part Number	Page No
1237 191 H1	15-013	1257 895 H91	09-009	1260 697 H1	07-073
1237 193 H1	15-011	1257 927 H91	09-003	1260 698 H1	07-073
1237 193 H1	15-013	1258 203 H92	07-083	1260 699 H1	07-073
1237 196 H1	15-011	1258 205 H92	07-087	1261 115 H1	10-071
1237 196 H1	15-013	1258 247 H91	04-011	1261 116 H1	10-065
1237 424 H1	12-003	1258 247 H91	04-013	1261 116 H1	10-067
124-01-55140	12-095	1258 248 H91	04-011	1261 116 H1	10-069
124-01-55360	12-111	1258 248 H91	04-013	1261 282 H91	10-065
124-01-55430	12-111	1258 259 H91	05-007	1261 283 H91	10-065
124-01-55440	12-111	1258 261 H91	05-007	1261 330 H91	13-017
124-01-55450	12-111	1258 270 H91	05-009	1261 335 H91	07-083
124-01-55480	12-111	1258 272 H1	05-007	1261 353 H92	07-083
1243 000 H1	12-023	1258 273 H1	05-009	1261 354 H92	07-085
1243 442 H1	15-009	1258 279 H91	04-009	1261 655 H1	13-097
1243 491 H91	02-021	1258 283 H91	04-009	1261 705 H1	09-003
1243 682 H1	06-011	1258 294 H1	04-009	1261 941 H91	14-003
1243 846 H1	07-023	1258 297 H91	04-007	1261 995 H92	12-023
1245 074 H2	15-009	1258 301 H91	04-007	1262 303 H91	07-037
1245 089 H1	13-031	1258 303 H91	04-007	1262 307 H91	07-037
1245 089 H1	13-033	1258 311 H91	04-007	1262 490 H91	13-017
1245 503 H1	13-087	1258 312 H1	04-003	1262 508 H91	07-037
1245 942 H1	07-027	1258 313 H91	05-007	1262 524 H1	07-037
1246 021 H1	08-008	1258 315 H91	04-003	1262 608 H91	12-009
1246 021 H1	08-015	1258 317 H91	12-017	1262 660 H1	08-021
1249 048 H1	10-019	1258 319 H91	12-017	1262 660 H1	08-025
1249 049 H1	10-019	1258 320 H1	12-017	1262 660 H1	13-045
1249 051 H1	10-019	1258 321 H91	12-019	1262 660 H1	13-053
1250 600 H91	10-039	1258 324 H1	12-019	1262 660 H2	13-099
1250 601 H93	10-039	1258 325 H91	12-019	1262 757 H91	17-003
1250 606 H91	10-039	1258 326 H1	12-019	1262 760 H91	17-003
1250 614 H1	10-041	1258 327 H91	12-015	1262 760 H91	17-005
1251 236 H91	09-009	1258 331 H91	12-015	1262 805 H1	09-003
1251 269 H91	14-003	1258 779 H91	09-009	1262 806 H1	09-003
1251 450 H1	13-085	1258 830 H91	14-015	1262 807 H1	09-003
1252 298 H92	14-015	1258 970 H91	15-007	1262 850 H91	17-003
1252 299 H92	14-015	1258 970 H91	15-009	1262 850 H91	17-005
1252 302 H91	14-015	1258 997 H1	15-007	1266 235 H91	07-035
1252 303 H91	14-015	1258 997 H1	15-009	1266 312 H1	08-019
1252 418 H91	14-003	1259 012 H92	08-033	1266 312 H1	08-023
1252 780 H1	08-033	1259 012 H92	13-083	1266 312 H1	10-023
1252 780 H1	13-083	1259 182 H91	13-009	1266 312 H1	10-027
1252 781 H1	08-033	1259 182 H91	13-011	1266 683 H91	12-023
1252 781 H1	13-083	1259 210 H91	10-045	1266 691 H92	12-023
1252 782 H1	08-033	1259 980 H91	13-017	1266 751 H2	07-019
1252 782 H1	13-083	1259 981 H91	13-017	1266 751 H2	10-031
1252 783 H1	08-033	1259 993 H1	13-017	1266 752 H91	07-019
1252 783 H1	13-083	1260 202 H1	12-007	1266 752 H91	10-031
1252 955 H91	15-011	1260 333 H1	13-017	1267 033 H92	17-011
1253 070 H1	08-033	1260 348 H91	12-009	1267 233 H1	17-011
1253 070 H1	13-083	1260 469 H91	07-029	1267 234 H1	17-011

NUMERICAL INDEX

Part Number	Page No	Part Number	Page No	Part Number	Page No
1267 331 H1	17-007	1269 024 H2	10-035	1270 274 H91	08-021
1267 331 H1	17-009	1269 024 H2	10-037	1270 274 H91	08-023
1267 332 H1	17-007	1269 028 H1	08-021	1270 275 H91	08-021
1267 332 H1	17-009	1269 028 H1	08-023	1270 275 H91	08-023
1267 333 H1	17-007	1269 029 H1	08-021	1270 292 H91	06-009
1267 333 H1	17-009	1269 029 H1	08-023	1270 293 H91	06-011
1267 334 H1	17-007	1269 042 H91	05-009	1270 296 H91	17-003
1267 334 H1	17-009	1269 043 H91	04-009	1270 296 H91	17-005
1267 356 H1	10-039	1269 044 H91	12-015	1270 312 H91	12-007
1267 356 H1	10-041	1269 045 H91	12-013	1270 322 H91	08-007
1267 356 H1	10-043	1269 046 H91	04-007	1270 322 H91	08-014
1267 860 H1	04-017	1269 052 H1	13-003	1270 331 H91	12-013
1267 861 H1	04-017	1269 067 H91	13-003	1270 345 H1	11-007
1267 862 H1	04-017	1269 073 H1	06-003	1270 382 H1	02-004
1267 863 H1	04-017	1269 086 H91	04-003	1270 382 H1	02-009
1267 864 H92	04-017	1269 095 H91	05-007	1270 397 H3	02-004
1267 865 H92	04-017	1269 109 H91	10-035	1270 410 H2	02-008
1267 903 H91	07-019	1269 250 H1	10-041	1270 411 H2	02-008
1267 903 H91	10-031	1269 409 H1	10-023	1270 412 H2	02-008
1268 056 H2	10-039	1269 409 H1	10-027	1270 419 H91	12-013
1268 171 H1	10-039	1269 422 H1	10-021	1270 420 H91	02-013
1268 172 H1	10-039	1269 422 H1	10-025	1270 440 H91	07-079
1268 173 H1	10-039	1269 466 H91	10-033	1270 461 H1	15-003
1268 198 H91	10-039	1269 739 H91	06-007	1270 461 H1	15-011
1268 228 H91	12-017	1269 740 H91	06-007	1270 464 H1	08-009
1268 229 H91	12-019	1269 756 H1	07-041	1270 464 H1	08-016
1268 230 H91	05-009	1269 788 H91	06-007	1270 464 H1	08-035
1268 231 H91	04-009	1269 876 H1	06-009	1270 473 H91	10-043
1268 232 H91	04-011	1269 907 H1	04-009	1270 474 H91	10-043
1268 251 H91	04-007	1269 907 H1	12-021	1270 478 H91	10-043
1268 300 H1	09-005	1269 910 H91	12-003	1270 499 H1	15-003
1268 300 H1	17-007	1269 911 H91	12-003	1270 499 H1	15-011
1268 300 H1	17-009	1269 932 H1	06-003	1270 564 H91	07-079
1268 300 H1	17-011	1269 933 H1	06-003	1270 670 H91	10-043
1268 300 H1	17-013	1270 069 H1	06-009	1270 686 H91	10-037
1268 301 H1	09-005	1270 112 H1	17-003	1270 705 H1	12-013
1268 301 H1	17-007	1270 112 H1	17-005	1270 760 H1	08-007
1268 301 H1	17-009	1270 113 H95	17-007	1270 760 H1	08-014
1268 301 H1	17-011	1270 114 H94	17-007	1270 763 H91	08-009
1268 301 H1	17-013	1270 115 H94	17-007	1270 764 H91	08-009
1268 384 H91	17-005	1270 125 H95	17-009	1270 765 H1	11-007
1268 580 H91	09-009	1270 126 H94	17-009	1270 777 H91	12-011
1268 598 H1	13-013	1270 127 H94	17-009	1270 790 H1	08-007
1268 598 H1	13-015	1270 147 H91	13-027	1270 790 H1	08-014
1268 599 H1	10-039	1270 147 H91	13-029	1270 833 H91	12-007
1268 820 H91	10-039	1270 235 H91	11-003	1270 918 H1	02-004
1268 821 H91	10-039	1270 267 H91	11-003	1270 918 H1	02-008
1268 822 H91	10-041	1270 270 H91	08-008	1270 930 H1	02-004
1268 908 H92	04-017	1270 270 H91	08-015	1270 930 H1	02-008
1269 018 H91	04-011	1270 272 H91	08-035	1270 935 H1	02-004

NUMERICAL INDEX

Part Number	Page No	Part Number	Page No	Part Number	Page No
1270 935 H1	02-008	1278 012 H2	12-025	1280 632 H91	05-003
1270 941 H1	02-004	1278 058 H1	10-039	1280 682 H1	07-015
1270 941 H1	02-008	1278 146 H91	07-037	1280 697 H1	13-085
1270 945 H1	07-041	1278 268 H1	07-023	1280 698 H1	13-085
1270 946 H1	07-041	1278 271 H1	07-027	1280 699 H1	13-085
1270 948 H1	07-041	1278 275 H91	07-027	1280 700 H1	05-003
1270 980 H1	10-003	1278 276 H1	08-009	1280 701 H1	05-007
1271 093 H91	12-007	1278 276 H1	08-016	1280 820 H91	07-037
1271 230 H1	04-007	1278 359 H1	13-003	1281 017 H1	15-007
1271 300 H1	10-007	1278 469 H1	12-023	1281 017 H1	15-009
1271 301 H1	10-007	1278 564 H1	06-007	1281 061 H1	13-071
1271 302 H1	10-007	1278 565 H1	06-007	1281 061 H1	13-075
1271 303 H1	10-007	1278 802 H1	06-011	1281 072 H91	09-003
1271 304 H1	10-015	1279 059 H1	12-013	1281 074 H91	09-003
1271 305 H1	10-015	1279 063 H1	17-003	1281 172 H91	15-011
1271 306 H1	10-011	1279 063 H1	17-005	1281 173 H91	15-003
1271 307 H1	10-011	1279 088 H1	17-003	1281 174 H91	15-003
1271 310 H1	10-007	1279 088 H1	17-005	1281 175 H91	15-009
1271 311 H1	10-011	1279 089 H1	08-007	1281 176 H91	15-007
1271 349 H1	10-007	1279 089 H1	08-014	1281 176 H91	15-007
1271 351 H1	10-011	1279 572 H91	05-009	1281 177 H91	14-003
1271 356 H1	10-015	1279 688 H1	07-015	1281 178 H91	14-003
1271 365 H91	10-015	1279 689 H1	07-015	1281 179 H91	14-003
1271 366 H91	10-015	1280 178 H1	12-013	1281 303 H1	02-004
1277 023 H1	10-011	1280 192 H91	05-003	1281 303 H1	02-008
1277 024 H1	10-011	1280 199 H92	07-043	1281 308 H91	15-011
1277 025 H1	10-015	1280 222 H1	07-013	1281 309 H91	15-011
1277 041 H91	13-003	1280 340 H1	07-005	1281 311 H91	15-011
1277 041 H91	13-007	1280 358 H1	12-019	1281 312 H91	15-011
1277 043 H1	13-003	1280 387 H91	17-003	1281 349 H91	17-015
1277 043 H1	13-007	1280 387 H91	17-005	1281 350 H91	10-019
1277 082 H91	10-047	1280 388 H91	17-003	1281 353 H91	17-017
1277 088 H91	07-023	1280 388 H91	17-005	1281 356 H91	17-017
1277 346 H91	10-007	1280 469 H1	14-013	1281 357 H1	10-019
1277 385 H1	08-009	1280 470 H92	14-011	1281 358 H1	08-009
1277 386 H91	08-009	1280 471 H92	14-011	1281 358 H1	13-077
1277 460 H91	10-007	1280 474 H92	14-011	1281 363 H1	02-004
1277 461 H91	10-007	1280 491 H91	14-015	1281 363 H1	02-008
1277 500 H1	12-009	1280 492 H91	14-015	1281 435 H1	10-019
1277 616 H91	02-017	1280 493 H91	14-015	1281 644 H91	02-004
1277 617 H1	02-017	1280 497 H1	14-003	1281 645 H91	02-004
1277 747 H1	10-011	1280 498 H1	14-005	1281 646 H92	02-004
1277 932 H1	13-087	1280 537 H91	14-003	1281 725 H1	09-003
1277 975 H1	07-035	1280 538 H91	14-003	1281 792 H1	12-003
1277 976 H91	07-035	1280 545 H1	14-013	1281 994 H1	13-003
1277 978 H1	12-003	1280 602 H1	08-008	1281 994 H1	13-007
1277 986 H2	02-004	1280 602 H1	08-015	1281 995 H92	13-003
1277 987 H2	02-008	1280 628 H1	05-003	1281 995 H92	13-007
1277 988 H2	02-008	1280 629 H91	05-003	1282 183 H1	12-003
1277 989 H2	02-008	1280 631 H1	05-003	1282 265 H1	12-003
				1282 338 H91	13-019

NUMERICAL INDEX

Part Number	Page No	Part Number	Page No	Part Number	Page No
1282 338 H91	13-023	1287 244 H91	12-007	1299 239 H1	10-053
1282 339 H91	13-019	1287 385 H1	13-019	1299 239 H1	10-055
1282 339 H91	13-023	1287 385 H1	13-023	1299 240 H1	10-051
1282 468 H1	17-007	1287 385 H1	13-027	1299 240 H1	10-053
1282 468 H1	17-009	1287 385 H1	13-029	1299 240 H1	10-055
1282 542 H91	13-031	1287 522 H1	04-003	1299 241 H91	10-059
1282 543 H91	13-033	1297 517 H91	08-019	1299 242 H1	10-059
1282 813 H1	17-007	1297 517 H91	08-023	1299 243 H91	10-059
1282 813 H1	17-009	1297 517 H91	10-029	1299 244 H1	10-059
1282 814 H1	17-007	1298 009 H91	07-051	1299 266 H91	14-013
1282 814 H1	17-009	1298 010 H91	07-051	1299 271 H1	12-007
1282 836 H1	07-009	1298 601 H1	13-075	1299 272 H1	12-003
1283 143 H1	17-007	1298 602 H1	13-071	1299 283 H1	04-011
1283 144 H1	17-009	1298 608 H1	13-097	1299 283 H1	04-013
1283 166 H1	10-041	1298 696 H1	06-011	1299 325 H1	10-003
1283 173 H1	10-039	1298 736 H1	07-089	1299 326 H1	10-003
1283 174 H1	10-039	1298 876 H91	08-019	1299 329 H1	10-003
1283 175 H91	10-039	1298 876 H91	08-023	1299 590 H91	08-019
1283 323 H91	07-037	1299 031 H1	02-004	1299 590 H91	08-023
1283 324 H1	07-037	1299 031 H1	02-008	1299 593 H91	08-019
1283 325 H1	07-037	1299 108 H1	02-015	1299 593 H91	10-021
1283 478 H91	02-013	1299 128 H92	06-005	1299 596 H91	08-019
1283 725 H91	11-003	1299 152 H91	15-005	1299 596 H91	08-023
1283 831 H1	14-003	1299 153 H1	15-005	1299 598 H91	10-003
1284 556 H1	07-083	1299 153 H1	15-011	1299 603 H1	13-013
1284 556 H1	07-087	1299 157 H1	12-007	1299 603 H1	13-015
1284 563 H1	09-005	1299 222 H91	10-045	1299 604 H91	13-003
1284 627 H1	13-013	1299 222 H91	10-047	1299 604 H91	13-007
1284 629 H1	13-013	1299 223 H91	10-051	1299 607 H91	13-013
1284 630 H91	13-013	1299 224 H91	10-053	1299 607 H91	13-015
1284 656 H1	12-003	1299 225 H91	10-055	1299 608 H91	13-013
1284 706 H91	07-083	1299 226 H91	10-045	1299 608 H91	13-015
1284 706 H91	07-085	1299 226 H91	10-047	1299 623 H91	13-045
1285 219 H91	13-013	1299 227 H1	10-045	1299 652 H91	13-055
1285 270 H1	12-023	1299 227 H1	10-047	1299 653 H91	13-055
1285 291 H1	10-015	1299 228 H1	10-045	1299 654 H91	13-055
1285 292 H1	10-007	1299 229 H1	10-047	1299 655 H91	13-055
1285 310 H1	14-005	1299 230 H91	10-049	1299 656 H91	13-055
1285 330 H91	13-017	1299 231 H1	10-049	1299 657 H91	13-055
1285 338 H91	14-005	1299 232 H91	10-057	1299 658 H91	13-057
1285 372 H1	07-005	1299 233 H1	10-057	1299 659 H91	13-057
1286 678 H1	08-019	1299 234 H1	10-057	1299 660 H91	13-057
1286 678 H1	08-023	1299 235 H91	10-061	1299 662 H91	13-055
1286 694 H91	10-015	1299 236 H1	10-061	1299 663 H91	13-055
1286 760 H2	13-003	1299 236 H1	10-063	1299 664 H92	13-051
1286 760 H2	13-007	1299 237 H91	10-063	1299 665 H91	13-067
1286 827 H1	07-055	1299 238 H91	10-051	1299 666 H91	13-067
1286 827 H1	07-061	1299 238 H91	10-053	1299 670 H91	13-071
1286 903 H1	04-003	1299 238 H91	10-055	1299 670 H91	13-075
1286 954 H91	12-007	1299 239 H1	10-051	1299 671 H91	13-071

NUMERICAL INDEX

Part Number	Page No	Part Number	Page No	Part Number	Page No
1299 671 H91	13-075	1300 564 H1	13-063	1300 694 H91	13-095
1299 672 H91	13-071	1300 564 H1	13-065	1300 696 H91	13-095
1299 672 H91	13-075	1300 567 H1	13-061	1300 697 H91	13-095
1299 714 H2	13-045	1300 567 H1	13-063	1300 698 H91	13-095
1299 715 H1	13-045	1300 567 H1	13-065	1300 700 H91	13-095
1299 716 H1	13-045	1300 568 H1	13-061	1300 701 H91	13-095
1299 939 H91	06-005	1300 568 H1	13-063	1300 708 H91	10-021
1299 940 H91	06-005	1300 568 H1	13-065	1300 708 H91	10-025
1299 941 H91	06-005	1300 570 H1	13-061	1300 710 H91	10-021
1299 942 H91	06-005	1300 571 H1	13-063	1300 710 H91	10-025
1299 943 H91	06-005	1300 571 H1	13-065	1300 715 H91	13-095
1299 944 H1	06-005	1300 572 H1	13-061	1300 743 H91	10-021
1299 945 H1	06-005	1300 573 H1	13-063	1300 743 H91	10-025
1299 946 H1	06-005	1300 573 H1	13-065	1300 746 H91	10-023
1299 947 H1	06-005	1300 574 H1	13-061	1300 751 H91	10-021
1299 948 H1	06-005	1300 575 H1	13-063	1300 752 H91	10-029
1299 949 H1	06-005	1300 575 H1	13-065	1300 753 H91	10-029
1299 950 H1	06-005	1300 576 H1	13-063	1300 759 H91	07-037
1299 951 H1	06-005	1300 576 H1	13-065	1300 764 H91	12-013
1299 952 H2	06-005	1300 577 H1	13-061	1300 773 H1	13-099
1299 969 H1	10-033	1300 578 H1	13-063	1300 774 H1	13-045
1300 139 H1	09-005	1300 578 H1	13-065	1300 775 H1	13-095
1300 484 H91	13-003	1300 600 H1	13-045	1300 776 H1	13-095
1300 486 H91	13-013	1300 602 H1	13-045	1300 780 H91	13-099
1300 486 H91	13-015	1300 604 H1	13-057	1300 783 H1	13-099
1300 487 H91	13-019	1300 605 H1	13-057	1300 784 H91	13-095
1300 487 H91	13-027	1300 609 H2	13-051	1300 833 H1	13-051
1300 487 H91	13-039	1300 610 H2	13-051	1300 835 H91	13-019
1300 487 H91	13-041	1300 611 H2	13-051	1300 835 H91	13-023
1300 521 H1	13-055	1300 616 H1	13-045	1300 843 H91	12-007
1300 522 H1	13-053	1300 620 H91	13-019	1300 854 H1	13-069
1300 523 H2	13-059	1300 620 H91	13-027	1300 855 H1	13-073
1300 527 H1	13-051	1300 620 H91	13-039	1300 856 H1	13-071
1300 535 H1	13-069	1300 632 H91	13-045	1300 857 H1	13-075
1300 535 H1	13-073	1300 638 H1	13-045	1300 897 H1	10-029
1300 539 H1	13-045	1300 652 H91	08-021	1301 182 H91	14-005
1300 541 H1	13-071	1300 660 C1	13-067	1301 187 H91	14-005
1300 541 H1	13-075	1300 665 H1	13-067	1301 227 H91	14-005
1300 542 H1	13-071	1300 666 H91	05-011	1301 319 H1	13-053
1300 542 H1	13-075	1300 667 H91	05-011	1301 319 H1	13-069
1300 549 H1	13-057	1300 668 H91	05-011	1301 319 H1	13-073
1300 550 H1	13-057	1300 675 H91	13-067	1301 325 H1	15-013
1300 551 H1	13-069	1300 676 H91	13-067	1301 326 H91	15-013
1300 551 H1	13-073	1300 677 H91	08-019	1301 327 H91	15-013
1300 552 H1	13-069	1300 689 H1	13-021	1301 328 H91	15-013
1300 552 H1	13-073	1300 689 H1	13-023	1301 329 H91	15-013
1300 553 H1	13-067	1300 689 H1	13-027	1301 335 H1	15-013
1300 560 H1	13-045	1300 689 H1	13-029	1301 345 H1	13-031
1300 561 H1	13-059	1300 689 H1	13-039	1301 345 H1	13-033
1300 563 H1	13-061	1300 689 H1	13-041	1301 345 H1	13-043

NUMERICAL INDEX

Part Number	Page No	Part Number	Page No	Part Number	Page No
1301 346 H1	13-031	1303 803 H1	08-031	1304 347 H1	13-075
1301 346 H1	13-033	1303 804 H1	08-031	1304 351 H91	13-061
1301 346 H1	13-043	1303 805 H1	08-031	1304 354 H91	13-061
1301 347 H1	13-035	1303 806 H1	08-031	1304 378 H1	13-061
1301 349 H1	13-035	1303 807 H1	08-031	1304 379 H1	13-061
1301 350 H1	13-031	1303 808 H1	08-031	1304 380 H91	13-061
1301 350 H1	13-033	1303 809 H1	08-031	1304 380 H91	13-063
1301 351 H1	13-035	1303 815 H91	14-017	1304 380 H91	13-065
1301 352 H1	13-035	1303 817 H91	14-017	1304 381 H1	13-061
1301 353 H1	13-035	1303 818 H91	14-017	1304 381 H1	13-063
1301 354 H1	13-031	1303 822 H1	17-017	1304 381 H1	13-065
1301 354 H1	13-033	1303 822 H1	17-021	1304 391 H1	13-059
1301 358 H1	12-023	1303 847 H91	12-021	1304 400 H1	13-087
1301 630 H91	15-013	1303 849 H91	12-021	1304 401 H91	13-087
1301 652 H91	05-005	1303 854 H1	12-021	1304 404 H1	13-051
1301 654 H1	05-005	1303 855 H91	12-021	1304 405 H1	13-051
1301 655 H91	05-005	1303 858 H1	12-021	1304 489 H91	13-081
1301 659 H1	12-007	1303 859 H91	12-021	1305 055 H91	12-003
1301 753 H91	15-011	1303 862 H91	04-013	1305 055 H91	12-029
1301 832 H1	13-071	1303 888 H91	12-021	1305 390 H1	07-071
1301 832 H1	13-075	1304 049 H1	10-065	1305 397 H91	07-071
1302 203 H91	17-013	1304 050 H1	10-069	1305 456 H91	13-045
1302 358 H1	08-019	1304 051 H1	10-067	1305 707 H1	08-008
1302 358 H1	08-023	1304 110 H91	13-013	1305 707 H1	08-015
1302 375 H91	08-031	1304 110 H91	13-045	1306 181 H1	13-019
1302 383 H91	12-027	1304 111 H91	13-013	1306 181 H1	13-027
1302 398 H1	08-019	1304 111 H91	13-045	1306 181 H1	13-039
1302 398 H1	08-023	1304 125 H91	13-019	1306 181 H1	13-041
1302 398 H1	10-021	1304 125 H91	13-027	1306 182 H1	13-019
1302 398 H1	10-025	1304 125 H91	13-039	1306 182 H1	13-027
1302 399 H1	08-019	1304 187 H1	13-051	1306 182 H1	13-039
1302 399 H1	08-023	1304 189 H2	13-045	1306 182 H1	13-041
1302 660 H91	09-003	1304 190 H2	13-045	1306 244 H1	12-023
1302 696 H91	09-003	1304 191 H91	13-057	1306 245 H1	12-023
1303 290 H2	10-021	1304 192 H91	13-057	1306 387 H1	14-003
1303 290 H2	10-025	1304 203 H1	02-015	1306 422 H1	11-003
1303 789 H1	08-031	1304 207 H91	13-099	1306 539 H1	10-023
1303 790 H1	08-031	1304 221 H91	13-013	1306 539 H1	10-027
1303 791 H1	08-031	1304 289 H91	13-091	1306 621 H1	11-005
1303 792 H1	08-031	1304 290 H91	13-089	1306 638 H91	10-011
1303 793 H1	08-031	1304 291 H91	13-093	1306 802 H91	08-007
1303 794 H1	08-031	1304 329 H91	13-081	1306 802 H91	08-014
1303 795 H1	08-031	1304 331 H91	13-081	1306 803 H91	11-003
1303 796 H1	08-031	1304 332 H91	13-077	1306 898 H91	10-035
1303 797 H1	08-031	1304 334 H91	13-077	1306 898 H91	10-037
1303 798 H1	08-031	1304 335 H91	13-077	1308 034 H91	11-003
1303 799 H1	08-031	1304 338 H91	13-077	1308 066 H91	08-027
1303 800 H1	08-031	1304 339 H91	13-087	1308 073 H1	02-004
1303 801 H1	08-031	1304 342 H1	13-081	1308 073 H1	02-009
1303 802 H1	08-031	1304 347 H1	13-071	1308 145 H1	13-003

NUMERICAL INDEX

Part Number	Page No	Part Number	Page No	Part Number	Page No
1308 145 H1	13-007	1309 005 H1	08-027	1309 794 H91	13-009
1308 180 H1	11-003	1309 006 H91	08-027	1309 796 H91	13-011
1308 333 H1	11-003	1309 007 H1	08-027	1309 797 H91	13-011
1308 420 H91	11-003	1309 008 H1	08-029	1309 801 H91	13-003
1308 471 H91	08-021	1309 009 H1	08-029	1309 858 H91	13-095
1308 472 H1	08-021	1309 010 H1	08-029	1309 858 H91	13-099
1308 472 H1	10-023	1309 089 H1	06-003	1309 900 H1	13-079
1308 809 H1	08-019	1309 150 H1	06-003	1309 918 H1	13-061
1308 809 H1	08-023	1309 242 H1	13-061	1309 918 H1	13-063
1308 809 H1	10-021	1309 242 H1	13-063	1309 918 H1	13-065
1308 809 H1	10-025	1309 242 H1	13-065	1309 941 H1	13-061
1308 855 H1	08-027	1309 243 H1	13-061	1309 941 H1	13-063
1308 858 H1	08-027	1309 243 H1	13-063	1309 941 H1	13-065
1308 859 H1	08-027	1309 243 H1	13-065	1309 946 H1	13-061
1308 860 H1	08-027	1309 249 H1	13-023	1309 946 H1	13-063
1308 861 H1	08-027	1309 249 H1	13-029	1309 946 H1	13-065
1308 864 H1	08-027	1309 250 H92	13-023	1309 958 H1	13-057
1308 865 H1	08-027	1309 250 H92	13-029	1311 024 H1	06-007
1308 866 H1	08-027	1309 331 H1	13-077	1311 026 H91	08-015
1308 867 H1	08-027	1309 333 H91	13-077	1311 100 H91	07-031
1308 870 H1	08-027	1309 334 H1	13-069	1311 113 H91	12-003
1308 871 H1	08-029	1309 335 H1	13-073	1311 114 H1	12-003
1308 872 H1	08-029	1309 340 H91	13-099	1311 154 H1	07-031
1308 873 H1	08-029	1309 341 H91	13-097	1311 155 H1	07-031
1308 874 H1	08-029	1309 342 H91	13-097	1311 156 H1	07-031
1308 875 H1	08-029	1309 343 H91	13-097	1311 159 H1	07-031
1308 876 H1	08-029	1309 344 H91	13-097	1311 160 H1	07-031
1308 877 H1	08-029	1309 345 H1	13-095	1311 161 H1	07-031
1308 879 H1	08-029	1309 346 H1	13-095	1311 162 H1	07-031
1308 880 H1	08-029	1309 361 H1	13-097	1311 163 H1	07-031
1308 881 H1	08-029	1309 381 H1	13-045	1311 164 H1	07-031
1308 882 H1	08-029	1309 381 H1	13-055	1311 165 H1	07-031
1308 883 H1	08-029	1309 381 H1	13-057	1311 167 H1	07-031
1308 884 H1	08-029	1309 447 H1	13-045	1311 168 H1	07-031
1308 889 H1	08-029	1309 502 H1	13-051	1311 169 H1	07-031
1308 891 H1	08-029	1309 609 H1	13-063	1311 170 H1	07-031
1308 892 H1	08-029	1309 609 H1	13-065	1311 171 H1	07-031
1308 893 H1	08-029	1309 611 H1	13-077	1311 172 H1	07-031
1308 894 H1	08-029	1309 611 H1	13-087	1311 173 H1	07-033
1308 895 H1	08-029	1309 612 H1	13-057	1311 174 H1	07-033
1308 897 H1	08-029	1309 615 H1	13-077	1311 215 H1	13-043
1308 898 H1	08-029	1309 615 H1	13-099	1311 217 H1	13-043
1308 915 H1	11-003	1309 660 H91	13-099	1311 221 H91	06-003
1308 934 H91	13-043	1309 771 H1	12-013	1311 225 H1	07-031
1308 960 H1	08-029	1309 772 H1	12-013	1311 226 H1	07-031
1308 971 H1	08-029	1309 789 H91	13-003	1311 231 H1	07-033
1309 001 H91	08-027	1309 789 H91	13-007	1311 232 H1	07-033
1309 002 H91	08-027	1309 791 H91	13-003	1311 233 H1	07-033
1309 003 H91	08-027	1309 791 H91	13-007	1311 234 H1	07-033
1309 004 H1	08-027	1309 793 H91	13-009	1311 235 H1	07-033

NUMERICAL INDEX

Part Number	Page No	Part Number	Page No	Part Number	Page No
1311 236 H1	07-033	1311 637 H1	13-063	6731-21-5130	12-051
1311 237 H1	07-033	1311 637 H1	13-065	6731-21-5140	12-051
1311 242 H1	07-031	1311 638 H1	13-063	6731-21-5310	12-067
1311 243 H1	07-031	1311 638 H1	13-065	6731-21-5410	12-067
1311 244 H1	07-031	1311 639 H1	13-063	6731-21-5420	12-067
1311 302 H1	08-008	1311 639 H1	13-065	6731-21-6210	12-069
1311 302 H1	08-015	1311 675 H91	13-059	6731-31-4220	12-053
1311 303 H1	08-008	1311 679 H91	13-077	6731-51-8140	12-039
1311 303 H1	08-015	1311 680 H91	13-079	6731-61-1370	12-099
1311 304 H91	12-023	1311 681 H91	13-079	6731-61-2150	12-075
1311 318 H91	12-013	1311 682 H91	13-077	6731-61-3410	12-107
1311 329 H91	08-007	1311 687 H1	13-059	6731-61-3420	12-107
1311 329 H91	08-014	1312 026 H91	08-008	6731-61-3430	12-107
1311 342 H1	08-007	1432 615 H1	11-003	6731-61-4160	12-113
1311 342 H1	08-014	1432 615 H1	13-081	6731-71-1320	12-089
1311 347 H91	12-027	1435 685 H1	10-061	6731-71-1330	12-089
1311 348 H91	12-027	1435 685 H1	10-063	6731-71-1910	12-089
1311 349 H91	08-007	1435 688 H1	10-063	6731-71-2560	12-077
1311 349 H91	08-014	1435 690 H1	10-063	6731-71-3620	12-089
1311 383 H1	12-003	195-978-1311	13-013	6731-71-3630	12-089
1311 384 H1	12-003	195-978-1311	13-045	6731-71-3640	12-089
1311 388 H1	13-059	2753 630 R2	02-004	6731-71-3650	12-089
1311 389 H1	13-059	2754 282 R3	02-004	6731-71-5220	12-077
1311 626 H91	13-051	2754 473 R3	02-004	6731-71-5230	12-079
1311 626 H91	13-055	2754 498 R3	02-008	6731-71-5240	12-077
1311 626 H91	13-057	2754 499 R2	02-008	6731-71-5250	12-077
1311 626 H91	13-059	3071 294 R1	13-019	6731-71-5350	12-077
1311 626 H91	13-061	3071 294 R1	13-023	6731-71-5520	12-097
1311 626 H91	13-063	3071 294 R1	13-027	6731-71-5850	12-077
1311 626 H91	13-065	3071 294 R1	13-029	6731-71-5850	12-124
1311 626 H91	13-067	3071 294 R1	13-039	6731-71-5850	12-125
1311 626 H91	13-069	3071 294 R1	13-041	6731-71-5870	12-083
1311 626 H91	13-071	3078 617 R1	13-085	6731-71-5870	12-095
1311 626 H91	13-073	417-01-A1630	08-008	6731-71-5880	12-079
1311 626 H91	13-075	417-01-A1630	08-015	6731-71-5880	12-081
1311 626 H91	13-077	423-57-A1130	13-035	6731-71-5880	12-095
1311 626 H91	13-081	423-57-A1210	13-035	6731-71-9110	12-083
1311 626 H91	13-085	6130-12-8610	12-035	6731-81-9110	12-093
1311 626 H91	13-089	6215-81-9710	12-047	6731-81-9120	12-093
1311 626 H91	13-091	6731-11-1220	12-031	6732-01-1110	12-125
1311 626 H91	13-093	6731-11-4430	12-037	6732-01-1130	12-124
1311 627 H91	13-051	6731-11-9990	12-124	6732-01-1140	12-126
1311 628 H91	13-073	6731-21-1130	12-047	6732-11-1151	12-031
1311 629 H91	13-069	6731-21-3110	12-049	6732-11-1151	12-124
1311 630 H91	13-065	6731-21-4120	12-093	6732-11-1610	12-031
1311 631 H91	13-063	6731-21-4180	12-121	6732-11-1620	12-031
1311 632 H91	13-065	6731-21-4220	12-049	6732-11-1640	12-033
1311 633 H91	13-063	6731-21-4220	12-126	6732-11-1720	12-123
1311 636 H1	13-069	6731-21-5110	12-051	6732-11-1910	12-031
1311 636 H1	13-073	6731-21-5120	12-051	6732-11-1910	12-037

NUMERICAL INDEX

Part Number	Page No	Part Number	Page No	Part Number	Page No
6732-11-1910	12-047	6732-21-3610	12-126	6732-27-8100	12-055
6732-11-1910	12-101	6732-21-3811	12-049	6732-28-8100	12-055
6732-11-1910	12-105	6732-21-3811	12-126	6732-29-8110	12-055
6732-11-1920	12-037	6732-21-3870	12-049	6732-31-1100	12-055
6732-11-1920	12-047	6732-21-3870	12-126	6732-31-1211	12-055
6732-11-1930	12-031	6732-21-3880	12-049	6732-31-1410	12-057
6732-11-1930	12-075	6732-21-3880	12-126	6732-31-2410	12-059
6732-11-1930	12-097	6732-21-4140	12-126	6732-31-3101	12-059
6732-11-3850	12-085	6732-21-4150	12-121	6732-31-3131	12-059
6732-11-4160	12-037	6732-21-4160	12-121	6732-31-3310	12-059
6732-11-4160	12-077	6732-21-4170	12-121	6732-31-3410	12-059
6732-11-4170	12-037	6732-21-4170	12-126	6732-31-4120	12-053
6732-11-4170	12-105	6732-21-4180	12-093	6732-31-4130	12-053
6732-11-4530	12-037	6732-21-4180	12-121	6732-31-8120	12-057
6732-11-4811	12-045	6732-21-4210	12-121	6732-38-2300	12-059
6732-11-5210	12-037	6732-21-4220	12-121	6732-39-2300	12-059
6732-11-5530	12-037	6732-21-4250	12-121	6732-41-1111	12-061
6732-11-8130	12-035	6732-21-5150	12-071	6732-41-1220	12-061
6732-11-8140	12-091	6732-21-5160	12-051	6732-41-1231	12-061
6732-11-8181	12-035	6732-21-5160	12-095	6732-41-1260	12-061
6732-11-8181	12-124	6732-21-5160	12-103	6732-41-1280	12-061
6732-11-8181	12-125	6732-21-5160	12-111	6732-41-2112	12-063
6732-11-8181	12-126	6732-21-5160	12-113	6732-41-3110	12-033
6732-11-8210	12-035	6732-21-5170	12-051	6732-41-4410	12-031
6732-11-8210	12-124	6732-21-5170	12-124	6732-41-4510	12-031
6732-11-8210	12-125	6732-21-5170	12-125	6732-41-4520	12-031
6732-11-8620	12-124	6732-21-5170	12-126	6732-41-4530	12-031
6732-11-8620	12-125	6732-21-5190	12-051	6732-41-4530	12-124
6732-11-8910	12-067	6732-21-5190	12-126	6732-41-4530	12-125
6732-18-1151	12-125	6732-21-5210	12-051	6732-41-4540	12-031
6732-19-1151	12-124	6732-21-5230	12-051	6732-41-4540	12-124
6732-21-1191	12-047	6732-21-5261	12-126	6732-41-4540	12-125
6732-21-1191	12-126	6732-21-5360	12-067	6732-41-5160	12-033
6732-21-1210	12-047	6732-21-5520	12-047	6732-41-5170	12-033
6732-21-1411	12-047	6732-21-5530	12-067	6732-41-5180	12-033
6732-21-1611	12-047	6732-21-6120	12-047	6732-41-5200	12-033
6732-21-1810	12-047	6732-21-6130	12-047	6732-41-5400	12-033
6732-21-1810	12-105	6732-21-6130	12-069	6732-41-5420	12-033
6732-21-1910	12-047	6732-21-6140	12-047	6732-41-6210	12-067
6732-21-1930	12-047	6732-21-6150	12-055	6732-51-1111	12-073
6732-21-1960	12-047	6732-21-6160	12-047	6732-51-4420	12-075
6732-21-3140	12-049	6732-21-6160	12-065	6732-51-4430	12-126
6732-21-3150	12-049	6732-21-6261	12-069	6732-51-4431	12-075
6732-21-3160	12-049	6732-21-6261	12-126	6732-51-4431	12-126
6732-21-3170	12-126	6732-21-6280	12-069	6732-51-5130	12-117
6732-21-3180	12-049	6732-21-6280	12-126	6732-51-5310	12-075
6732-21-3190	12-119	6732-21-9310	12-117	6732-51-8260	12-039
6732-21-3220	12-119	6732-21-9321	12-117	6732-51-8330	12-039
6732-21-3220	12-126	6732-25-8100	12-055	6732-61-2110	12-075
6732-21-3380	12-117	6732-26-8100	12-055	6732-61-2220	12-075

NUMERICAL INDEX

Part Number	Page No	Part Number	Page No	Part Number	Page No
6732-61-2311	12-075	6733-11-4860	12-037	6734-11-3620	12-085
6732-61-2311	12-126	6733-11-4860	12-124	6734-11-3630	12-085
6732-61-3130	12-107	6733-11-4860	12-125	6734-11-3640	12-085
6732-61-3140	12-107	6733-11-4860	12-126	6734-11-3650	12-085
6732-61-3170	12-105	6733-21-5520	12-051	6734-11-3660	12-085
6732-61-3170	12-107	6733-21-5520	12-126	6734-11-3670	12-085
6732-61-4110	12-113	6733-51-8110	12-041	6734-11-3680	12-085
6732-61-4120	12-113	6733-71-5510	12-097	6734-11-3690	12-085
6732-61-4220	12-113	6733-71-5520	12-097	6734-11-3710	12-085
6732-61-4460	12-113	6733-71-5670	12-077	6734-11-3720	12-085
6732-61-6120	12-101	6733-71-6220	12-083	6734-11-3730	12-085
6732-61-6130	12-101	6733-71-6220	12-095	6734-11-3740	12-085
6732-61-6130	12-105	6733-71-6310	12-083	6734-11-3750	12-085
6732-61-6130	12-126	6733-81-6850	12-041	6734-11-3760	12-085
6732-61-6140	12-075	6733-81-8120	12-041	6734-11-3770	12-085
6732-61-6160	12-101	6733-81-8140	12-091	6734-11-3780	12-085
6732-61-6420	12-105	6733-81-8210	12-041	6734-11-3790	12-085
6732-61-6420	12-124	6733-81-8250	12-041	6734-11-3810	12-085
6732-61-6420	12-125	6733-81-8260	12-041	6734-11-3820	12-085
6732-71-2170	12-081	6733-81-8270	12-041	6734-11-3830	12-085
6732-71-3210	12-091	6733-81-8280	12-041	6734-11-3840	12-085
6732-71-3220	12-039	6733-81-8290	12-041	6734-11-3850	12-085
6732-71-3220	12-111	6733-81-8310	12-041	6734-11-3860	12-085
6732-71-3241	12-126	6733-81-8320	12-041	6734-11-3870	12-085
6732-71-5620	12-079	6733-81-8330	12-041	6734-11-3880	12-085
6732-71-5620	12-095	6733-81-8340	12-041	6734-11-3890	12-085
6732-71-5690	12-077	6733-81-8350	12-041	6734-11-3910	12-087
6732-71-6140	12-083	6733-81-8360	12-041	6734-11-3920	12-087
6732-71-6230	12-077	6733-81-8370	12-041	6734-11-3930	12-087
6732-71-6230	12-085	6733-81-8380	12-041	6734-21-8610	12-111
6732-71-6230	12-124	6733-81-8420	12-043	6734-71-5520	12-077
6732-71-6230	12-125	6733-81-8430	12-041	6734-81-8170	12-097
6732-71-6240	12-077	6733-81-8440	12-041	6735-11-1910	12-105
6732-71-6510	12-083	6733-81-8450	12-041	6735-11-4330	12-037
6732-71-6510	12-095	6733-81-8460	12-041	6735-11-4520	12-091
6732-71-6520	12-095	6733-81-8470	12-041	6735-11-4820	12-045
6732-71-6590	12-095	6733-81-8480	12-041	6735-11-6420	12-103
6732-71-6650	12-083	6733-81-8550	12-041	6735-11-6430	12-103
6732-81-8150	12-091	6733-81-8610	12-041	6735-11-8110	12-035
6732-81-8180	12-091	6733-81-8650	12-041	6735-11-8120	12-035
6732-81-8190	12-091	6733-81-8810	12-041	6735-21-3310	12-049
6732-81-8220	12-003	6733-81-8820	12-041	6735-21-3510	12-049
6732-81-8810	12-043	6733-81-8830	12-041	6735-21-4120	12-121
6732-81-8820	12-043	6733-81-8840	12-041	6735-21-4190	12-121
6732-81-8830	12-124	6734-11-3120	12-085	6735-21-4190	12-126
6732-81-8830	12-125	6734-11-3130	12-085	6735-21-4220	12-121
6732-81-8840	12-043	6734-11-3140	12-085	6735-21-4250	12-121
6732-81-9130	12-126	6734-11-3150	12-085	6735-21-5530	12-047
6732-85-4210	12-091	6734-11-3160	12-085	6735-21-6120	12-069
6733-11-3100	12-085	6734-11-3610	12-085	6735-31-2030	12-059

NUMERICAL INDEX

Part Number	Page No	Part Number	Page No	Part Number	Page No
6735-31-2140	12-059	6736-19-1310	12-031	6736-81-8370	12-041
6735-31-4150	12-053	6736-19-1410	12-031	6736-81-8440	12-043
6735-38-2210	12-059	6736-19-1430	12-031	6736-81-8480	12-041
6735-39-2210	12-059	6736-19-1440	12-031	6742-01-0640	12-083
6735-41-5550	12-033	6736-21-1810	12-047	6742-01-0640	12-095
6735-51-1120	12-073	6736-21-1820	12-047	6742-01-2660	12-093
6735-51-8120	12-124	6736-21-1840	12-126	6742-01-4030	12-097
6735-51-8120	12-125	6736-21-3210	12-049	6742-01-5075	12-039
6735-51-8120	12-126	6736-21-3230	12-103	9402 865	07-013
6735-61-1690	12-105	6736-21-3350	12-126	9402 865	07-015
6735-61-2140	12-075	6736-21-3360	12-126	9409 929	10-003
6735-61-2160	12-075	6736-21-3450	12-049	9410 202	07-043
6735-61-5110	12-109	6736-21-3810	12-049	9410 203	07-015
6735-61-5120	12-109	6736-21-5310	12-049	9410 203	10-011
6735-61-6410	12-095	6736-21-5310	12-067	9410 203	10-015
6735-61-6410	12-126	6736-21-5330	12-067	9410 204	10-007
6735-61-6430	12-105	6736-21-7120	12-126	9410 204	10-011
6735-71-3170	12-097	6736-28-8700	12-055	9410 204	10-015
6735-71-5220	12-097	6736-29-2110	12-047	9410 204	10-019
6735-71-5240	12-097	6736-29-8700	12-055	9410 205	07-009
6735-71-5790	12-077	6736-31-2510	12-059	9410 205	07-011
6735-71-5820	12-077	6736-36-3400	12-059	9410 207	07-005
6735-71-5840	12-077	6736-37-3400	12-059	9410 229	07-015
6735-71-5860	12-077	6736-38-3400	12-059	9410 229	07-075
6735-71-6230	12-083	6736-39-1140	12-055	9410 231	07-005
6735-81-8190	12-091	6736-39-1221	12-055	9410 281	07-015
6735-81-8230	12-091	6736-39-3400	12-059	9410 333	10-011
6735-K2-3000	12-121	6736-41-4110	12-031	9410 334	10-019
6735-K2-3000	12-126	6736-41-4210	12-031	9410 335	07-005
6736-11-1160	12-031	6736-41-5110	12-033	9410 358	07-047
6736-11-1910	12-123	6736-51-8140	12-039	9410 359	12-003
6736-11-3410	12-124	6736-51-8710	12-039	9410 360	10-021
6736-11-3410	12-125	6736-51-8730	12-039	9410 360	10-025
6736-11-3420	12-085	6736-51-8740	12-039	9410 361	10-045
6736-11-3420	12-124	6736-51-9120	12-126	9410 361	10-047
6736-11-3420	12-125	6736-61-1201	12-099	9410 362	10-045
6736-11-3430	12-124	6736-61-1520	12-099	9410 362	10-047
6736-11-3430	12-125	6736-61-1520	12-126	9410 976	07-043
6736-11-3880	12-124	6736-61-5170	12-075	9410 977	07-013
6736-11-3880	12-125	6736-61-5180	12-075	9410 977	07-015
6736-11-5590	12-124	6736-61-5240	12-109	9410 978	10-015
6736-11-5590	12-125	6736-71-5820	12-083	9410 978	10-019
6736-11-5620	12-124	6736-71-6220	12-124	9410 979	07-009
6736-11-5620	12-125	6736-71-6220	12-125	9410 981	07-005
6736-11-5810	12-037	6736-81-1810	12-037	9410 981	10-023
6736-11-5810	12-124	6736-81-4810	12-115	9410 981	10-027
6736-11-5810	12-125	6736-81-6170	12-097	9410 982	10-003
6736-11-8130	12-124	6736-81-8250	12-041	9411 104	07-043
6736-11-8130	12-125	6736-81-8320	12-043	9411 105	07-013
6736-18-1310	12-031	6736-81-8360	12-043	9411 107	07-043

NUMERICAL INDEX

Part Number	Page No	Part Number	Page No	Part Number	Page No
9412 230	13-019				
9412 230	13-023				
9412 230	13-027				
9412 230	13-029				
9412 230	13-031				
9412 230	13-033				
9412 230	14-005				
9412 231	12-009				
9412 231	13-017				
9412 231	17-003				
9412 231	17-005				
9413 952	13-003				
9413 952	13-007				
9413 953	13-031				
9413 953	13-033				
9413 977	12-007				
9413 979	07-075				
9413 979	07-081				
9413 981	17-003				
9413 981	17-005				
9413 983	14-015				
9413 983	14-017				
9413 986	13-013				
9413 986	13-045				

Komatsu America International Company
 440 North Fairway Drive
 Vernon Hills, IL 60061-8112 U.S.A.
 Attn: Technical Publications
 Fax No. (847) 970-4186

PROPOSAL FOR MANUAL REVISION

FOR INTERNAL USE ONLY – No. PMR

P R O P O S E R	NAME OF COMPANY:	LOCATION:			
	DEPARTMENT:	PHONE NO:			
	NAME:	DATE:			
	MANUAL NAME:				
MANUAL NO:					
MACHINE MODEL: S/N IF APPLICABLE:					
PAGE NO:					
PROBLEM:					
<p>Attach photo or sketch. If more space is needed, use another sheet.</p>					
FOR INTERNAL USE ONLY					
CORRECTIVE ACTION:					

