

 **DRESSTA**

TD-25M

CRAWLER DOZER

TIER 3 / Stage IIIA

ENGINE: CCEC QSNT-C375S30

POWER: 280 kW (375 hp)

OPERATING WEIGHT: 36 000 kg (without ripper)
40 000 kg (with single shank ripper)

BLADE CAPACITY: 9.6 m³ (12.5 yd³)



PUSHING THE LIMITS TO PUT YOU FIRST

With the New TD-25M we set ourselves the challenge to deliver the ultimate operator experience. A superior, safe, and comfortable cab designed for easy operation. High visibility, easy access maintenance, but above all, the real power and flexibility you need to push, rip and grade again and again.

In the mine, in the quarry, on the highway or in any heavy-weight application, climb into the cab and you'll know you've made the right choice.



“ WE DESIGN OUR MACHINES AROUND YOU TO HELP YOU DO MORE, IN SAFETY AND COMFORT. ”

Christopher, Product Engineer



DESIGN



POWER



VISIBILITY



ENDURANCE

EVERYTHING IS DESIGNED AROUND YOU.

1. MAKE YOURSELF AT HOME

New deluxe seat with heated option, advanced climate control, new high-efficiency shock absorbers to reduce noise and vibration. Integrated ROPS & FOPS, intuitive operator's interface with ergonomic joysticks for finger-tip control.

2. ENHANCED VISIBILITY

33% more glass surface area, a tapered engine hood presenting clear sightlines to the blade corners, a rear-view camera, and additional ripper lighting.

3. PERFECT POWER TURNS

Unique 2-speed steering drive maximises productivity by delivering 100% of the engine's power to both tracks, allowing you to push a full load through turns with near perfect load retention.

4. CLASS-LEADING DRAWBAR POWER

665 kN of drawbar pull delivered through the perfect combination of a 3-speed power shift transmission and 2-speed steering drive.

5. TOTAL MOTION CONTROL

Travel speed pre-selection and automatic down-shifting mode improves performance and efficiency.

6. THE ULTIMATE BLADE CONTROL

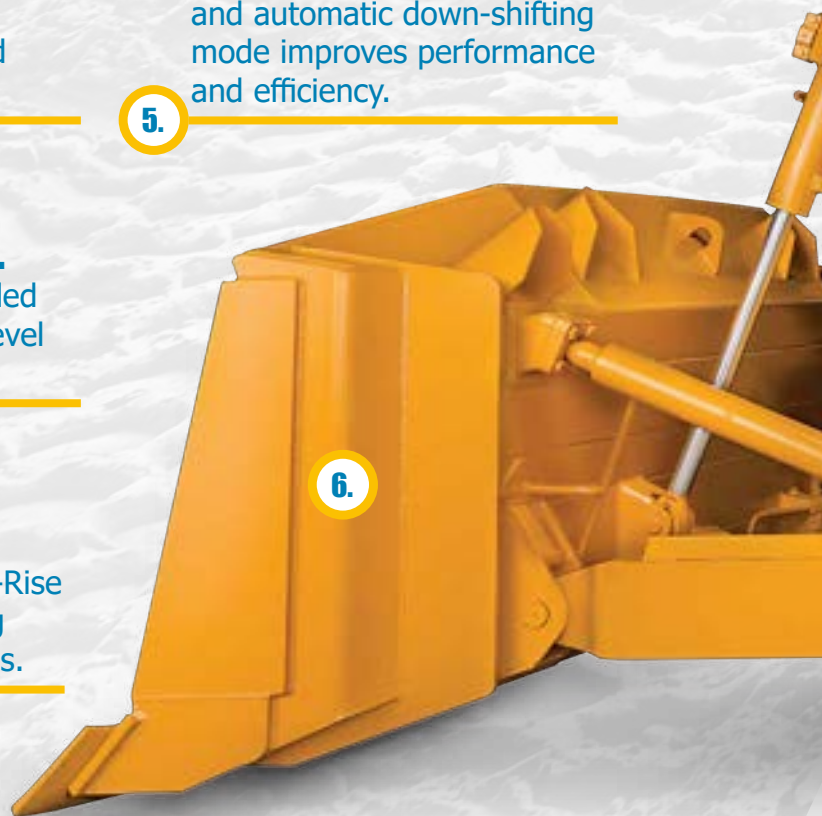
The new electro hydraulically controlled proportional joystick creates a new level of blade control and accuracy.

7. FASTER CYCLE TIMES

Improved blade control, Ripper Auto-Rise function and an efficient load sensing system combine to reduce cycle times.

8. THE RIGHT TRACKS FOR EVERY APPLICATION

Our single grouser track shoes are perfect for standard or heavy-duty applications. In addition, we offer self-cleaning tracks for landfill applications.



HIGHER UPTIME, LOWER COST

Modular component layout with safe, easy access to maintenance points. Lifetime lubricated rollers, heavy duty chains and idlers for extended track life all combine to reduce maintenance costs.

9.



**THAT'S THE PREVIEW –
LET'S POWER ON INTO THE DETAIL.**

AWESOME POWER

Dozing power is one of our core values and the new TD-25M takes power to a new level.

At the heart of this awesome dozer beats a turbocharged CCEC QSNT-C375S30, 280 kW (375 hp) in-line engine, compliant to EPA Tier 3/EU Stage IIIA emissions regulations. The combination of Cummins expertise with the latest heavy-duty diesel design delivers higher peak torque and exceptional fuel efficiency, giving you the confidence to take on the toughest jobs without breaking a sweat.



**665 KN OF
DRAWBAR PULL**



**3-SPEED POWER SHIFT
TRANSMISSION AND
2-SPEED STEERING DRIVE**



**PERFECT POWER
TO WEIGHT RATIO**



**VARI-SPEED HYDROSTATIC
COOLING FAN**

**“NEVER COMPROMISE - THE TD-25 GIVES
YOU AWESOME POWER AND EFFICIENCY”**

Stan, Site Manager





SELECTABLE OPERATING MODES

Two pre-set modes, make it even easier to save fuel by reducing repetitive gear changing.

Power Mode is perfect for achieving faster cycle times in tough dozing conditions utilizing first gear forward motion and second gear reverse.

Eco Mode is ideal for lighter work utilizing second gear in both directions.

Simply choose the mode to match your task and let the machine do the rest.





EASY ON THE OPERATOR

We think your job is tough enough which is why our cab has been designed to let you work with ease and comfort. With 33% more glass surface area, a tapered engine hood presenting clear sightlines to the blade corners, a rear-view camera, and additional ripper lighting, it's easy to see how the TD-25M offers the very best all-round visibility.

The cab environment is ultra-quiet at 82 dB (A) and benefits from a deluxe seat, advanced climate control, integrated ROPS & FOPS, improved operator's interface, new ergonomic joysticks controls, a high visibility LCD in-cab display and Bluetooth connectivity. When it comes to comfort and safety, we put you first.

ULTRA LOW-NOISE CAB



IMPROVED VISIBILITY



ROPS & FOPS



AIR SUSPENSION SEAT & ERGONOMIC CONTROLS



MULTI-FUNCTIONAL JOYSTICK



LARGE HIGH RESOLUTION DISPLAY



"IF IT MAKES MY LIFE EASIER – I'M A FAN!"

Adam, Dozer Operator



THE ULTIMATE RANGE OF BLADES & RIPPERS

Whether it's general construction, road building, mining or site clearing, versatility is the name and Dressta have it covered with a range of rippers and blades for every application.

GET THE EDGE

Our blades have been designed for increased capacity and incorporate full width cutting edges for performance and durability. They can be equipped with a hydraulic tilt or tilt/pitch option and a manual blade pitch adjustment to make the dozer even more versatile and increase your return on investment.



STANDARD SEMI-U BLADE: 9.6 m³ capacity

RIP IT UP!

Built to exacting standards for durability from the toughest tungsten-steel alloys, our rippers can take some beating.



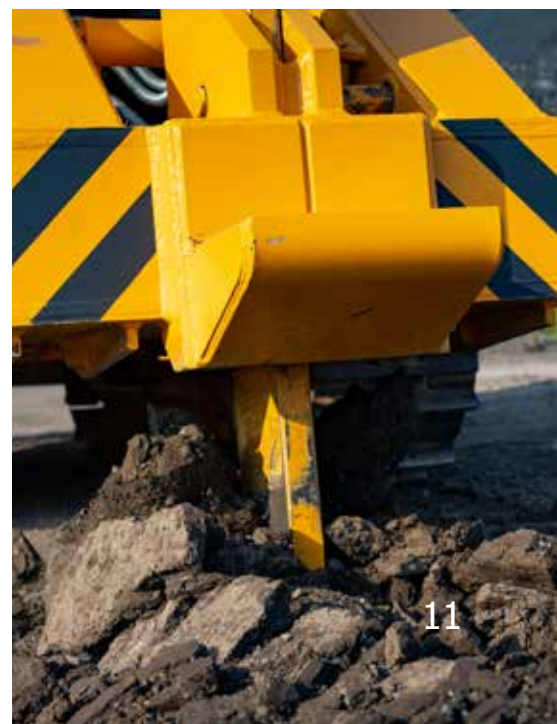
SINGLE-SHANK RIPPER: 1 270 mm penetration.
MULTI-SHANK: 930 mm penetration

Hydraulically controlled ripper shank pin puller allows you to adjust ripper penetration depth from the cab.

“YOU CAN HAVE 100% CONFIDENCE IN OUR AWESOME ATTACHMENTS”

Nikka, Technical Specialist





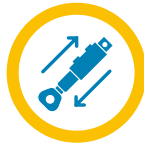


COMMAND & CONTROL

We've made it easy for you to harness the awesome power of the New TD-25M. With a new, variable hydraulic system you can reduce overall fuel consumption by 5% with a corresponding drop in emissions.

Intelligent Blade Control Modes, Ripper and Auto-Rise function and efficient Load Sensing technology combine to reduce cycle times and improve operational performance. Compatible with world-leading control and connectivity solutions from Leica, Topcon and Trimble, the new TD-25 makes it easy to get the most out of every push.

**WORLD-CLASS
HYDRAULICS**



**REDUCE FUEL
CONSUMPTION BY 5%**



**INTELLIGENT BLADE
SPEED MODE**



**RIPPER AND
AUTO-RISE FUNCTIONS**



**“THIS PROVES THAT TOUGH
MACHINES CAN BE INTELLIGENT TOO”**

Tolga, Key Account Manager



AT YOUR SERVICE 24/7

With the New TD-25M we've made daily checks and maintenance easy. Engine and hydraulic oil checks, coolant checks and grease point checks can all be done quickly and safely keeping you working and earning.

Our machines are backed up by one of the most comprehensive warranties in the industry, with the option of an extended warranty for the ultimate peace-of-mind.

Our skilled and experienced dealer network is supported by a global parts network, with seven regional distribution centres and advanced logistics system. This service team is there for you 24/7 with advice, technical support, and genuine parts where you need them and when you need them.



FAST & SIMPLE MAINTENANCE



PROACTIVE DEALER NETWORK



FAST AND EASY PARTS SUPPLY



COMPREHENSIVE WARRANTY



MAINTENANCE FREE EQUALIZER BARS

“WHEREVER YOU ARE, WHATEVER YOU ARE DOING, DRESSTA IS COMMITTED TO CREATING THE BEST SUPPORT EXPERIENCE. THAT'S THE DRESSTA PROMISE”

Waldemar, Product Manager









THE HEART OF ENDURANCE

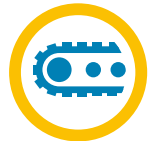
Endurance is the heart of Dressta. Our machines are designed and built to last. The TD-25 takes endurance to a new level.

Every weld and every component are rigorously tested to the limit and beyond. Its tough frame and versatile undercarriage have been designed and engineered to absorb shattering impacts with ease. The hydraulics are armed with even greater protection from impact and debris. The blade and ripper have been strengthened to withstand the incredible forces and impacts of the toughest terrain. The engine is protected from dust and debris by a hydraulically driven, variable speed fan. A dozer is only as strong as its weakest point – and at Dressta – **we don't do weakness.**

**TOUGH FRAME
BUILT TO ABSORB
HIGH IMPACT SHOCK**



**TOUGH, VERSATILE
UNDERCARRIAGE**



**ENGINE PROTECTED BY
HYDRAULICALLY DRIVEN,
VARIABLE SPEED FAN**



**FULLY PROTECTED
HYDRAULICS**



**STRONGER RIPPER
AND BLADE**



“DRESSTA HAVE MACHINES THAT HAVE BEEN OPERATING FOR OVER 30 YEARS IN INCREDIBLY TOUGH CONDITIONS – ENDURANCE ISN'T MEASURED IN WORKING HOURS, IT IS MEASURED IN DECADES.”

Carlos, Dozer Operator



SPECIFICATIONS

MODEL	NEW TD-25M
ENGINE	
TYPE	EPA Tier 3/EU Stage IIIA
Make and model	CCEC QSNT-C375S30
Emissions standard	EPA Tier 3/EU Stage IIIA
Displacement	14 l (854 in ³)
Bore and stroke	140 x 152 mm (5.51 x 5.98 in)
Gross horsepower, SAE J1995	280 kW (375 hp)
Net horsepower, SAE J1349/ISO 9249 at the max. speed of hydraulic fan	246 kW (330 hp)
Rated rpm	2000
Max. torque	1 825 Nm (1 346 lb-ft) @ 1 400 rpm
UNDERCARRIAGE	
Type	Rigid
Suspension	Oscillation-type with equalizer bar and forward mounted pivot shafts.
Tracks	Large deep-heat-treated, sealed, and lubricated track links and through-hardened, sealed, and lubricated rollers for maximum wear resistance.
Track gauge	2 140mm (7.02ft)
Track shoe width	560 mm (22 in.)
Chain	Sealed and lubricated
Shoes, each side	42
Track rollers, each side	7
Bogies, each side	-
Track length on ground	3 150 mm (10 ft 4 in.)
Ground contact area	36 334 cm ² (5633.33 sq. in.)
Ground pressure (STD tracks, Semi-U blade, 1-shank ripper)	94.7 kPa (13.7 psi)
Track pitch	228.6 mm (7.48 in.)
COOLING	
TYPE	TD-25M
Type	Suction-type variable-speed fan, hydraulically driven with perforated engine side sheets and heavy duty louvered front grill.
Engine coolant rating	-37°C (-34°F)
OPERATOR STATION	
ROPS	ROPS (ISO 3471 - 2008)
FOPS	FOPS (ISO 3449 - 2005)

POWERTRAIN			
TYPE		EPA Tier 3/EU Stage IIIA	
Transmission		Single stage 410 mm (16 in.) torque converter with a 2.45:1 stall ratio drives to transmission through a triple universal joint. Modular, countershaft type power shift transmission, electro-hydraulic control. Preset travel speed selection and autoshift.	
Steering		Exclusive 2-speed geared steering module provides gradual turns while maintaining full power to both tracks plus conventional clutch-brake performance for tight or pivot turns. Coupled to 3-speed transmission, the 2-speed steering provides 6 speeds forward and 6 reverse. The left hand joystick controls transmission and steering drive for up and down shifting, steering, Hi/Lo selection and LH/RH gradual turn.	
Final drives		Double-reduction planetary type final drives mounted independently of track frames and dozer push frames for isolation from shock loads.	
Maximum drawbar pull		665 kN (149,498 lbf)	
Travel speeds		Forward	Reverse
1st	Low	3.0 km/h (1.9 mph)	3.7 km/h (2.3 mph)
	High	3.9 km/h (2.4 mph)	4.7 km/h (2.9 mph)
2nd	Low	5.1 km/h (3.2 mph)	6.2 km/h (3.9 mph)
	High	6.6 km/h (4.1 mph)	8.0 km/h (5.0 mph)
3rd	Low	7.8 km/h (4.9 mph)	9.5 km/h (5.9 mph)
	High	11.0 km/h (6.8 mph)	13.3 km/h (8.3 mph)
Brakes			
Service		Spring applied hydraulically released multi-disc wet brakes. Foot pedal linkage control.	
Parking		The steering brakes also act as service and parking brakes. Service brakes are locked automatically when the transmission safety lever is actuated or when the engine is cut off.	

SERVICEABILITY

TYPE

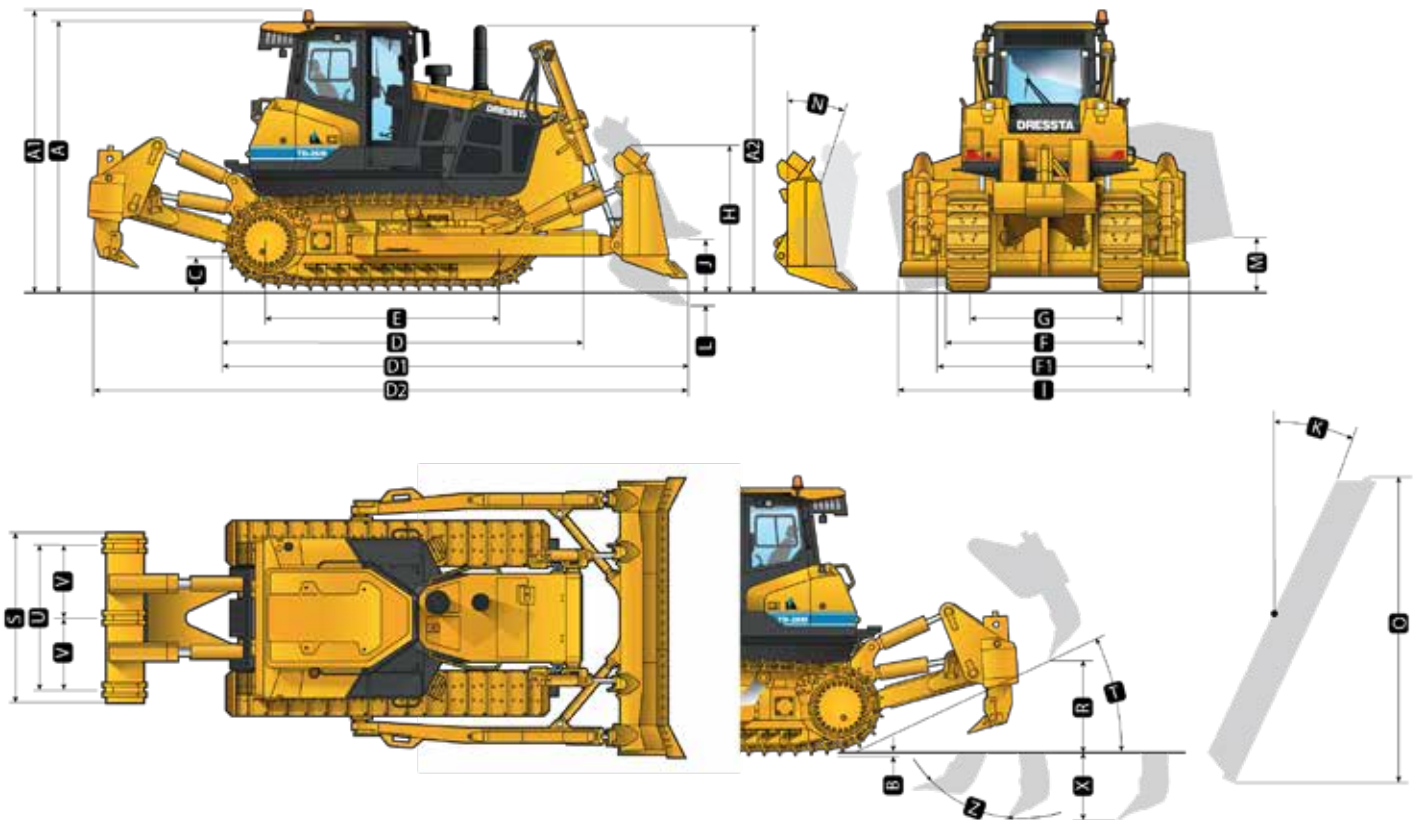
EPA Tier 3/EU Stage IIIA

Refill Capacities

Fuel tank	830 l (219 US gal.)
Cooling system	58 l (15.3 US gal.)
Engine oil	33 l (8.7 US gal.)
Transmission system	257 l (68 US gal.)
Final drive, each side	64 l (16.9 US gal.)
Hydraulic reservoir	130 l (34.34 US gal.)
Adblue	NA

OPERATING WEIGHTS

Type	Rigid
Base machine with Semi-U blade, lubricants, coolant, full fuel tank, standard track, ROPS/FOPS cab, operator 79 kg [175 lb] and sigle shank ripper	40 000 kg (88.184 lb)
Optional Components	
Ripper w/3 shanks	+600 kg (1.323 lb)
Track shoes	
610 mm (24 in.)	
660 mm (26 in.)	



MACHINE DIMENSIONS		
TYPE	EPA Tier 3/EU Stage IIIA	
Type	Rigid	
A Overall height - FOPS cab	3 750 mm (12 ft. 3 in.)	
A1 Overall height - Beacon	3 955 mm (12 ft.)	
A2 Overall height - end of exhaust pipe	3 898 mm (12 ft. 9 in.)	
B Grouser height	80 mm (3 in.)	
C Ground clearance	575 mm (22.6 in.)	
D Overall length, base machine	5 053 mm (16 ft. 6 in.)	
E Track length on ground	3 245 mm (10 ft. 8 in.)	
F Width over track	2 800 mm (9 ft. 2 in.)	
G Track gauge	2 140mm (7ft.3in.)	
TD-25M (EPA Tier 3/EU Stage IIIA)		
Blade Type	Semi-U	
D1 Length with blade and drawbar	6 528 mm (21 ft. 4 in.)	
D2 Length with blade and ripper	8 410 mm (27 ft. 6 in.)	
F1 Width over trunnions	3 260 mm (10 ft. 7 in.)	
BLADE SPECS		
Type	Semi-U	
SAE capacity	9.6 m3 (12.5 cu. yd.)	
H Blade height	1 760 mm (5 ft. 9 in.)	
I Blade width	4 050 mm (13 ft. 3 in.)	
J Blade lift height	1 270 mm (4 ft. 2 in.)	
K Blade angle	-	
L Blade digging depth	600 mm (23.6 in.)	
M Maximum tilt	880 mm (34.6 in.)	
N Maximum blade pitch adjustment	10°	
O Overall width with blade angled	-	
RIPPER		
Parallelogram ripper with hydraulic pitch adjustment		
TD-25M		
	Standard	Multi-shank (3-shank)
R Maximum clearance under tip (raised)	937 mm (36.9 in.)	793 mm (31.2 in.)
S Overall beam width	1 314 mm (51.7 in.)	2 428 mm (95.6 in.)
T Slope angle (fully raised)	31.4°	30°
U Ripping width	-	2 240 mm (88.2 in.)
V Spacing center to center	-	1 120 mm (44.1 in.)
X Maximum penetration	1 250 mm (49.2 in.)	915 mm (36 in.)
Z Maximum pitch adjustment	26.2°	25.5°
Penetration force	135.4 kN (30 439 lb.)	141.8 kN (31 877 lb.)
Pryout force	207.5 kN (46 647 lb.)	207.5 kN (46 647 lb.)
Shank positions (vertical)	4	2
Weight of ripper w/ 1 shank	3 771 kg (8 314 lb.)	4 326 kg (9 537 lb.)
Weight of shank	487 kg (1 074 lb.)	314 kg (692 lb.)

STANDARD EQUIPMENT

ENGINE

TD-25M (Tier 3)

Engine, CCEC QSNT-C375S30, EPA Tier 3/EU Stage IIIA, emission certified, turbocharged, direct start, direct injection, 280 kW (375 hp)
Air cleaner, dry type with turbo air precleaner and electronic service indicator
Antifreeze, -34°F (-37°C)
Cooling module; includes radiator, transmission oil cooler, hydraulic oil/fan drive oil cooler, fuel cooler, charge air cooler (CAC); isolation mounted
Coolant filter conditioner
Exhaust resonator with elbow
Fan, hydraulically driven, suction type, variable speed
Filters, engine oil, full flow and by-pass with replaceable "spin-on" elements
Fuel strainer
Muffler, under engine hood, insulated
Water separator, fuel system
Filtration system for contaminated fuel

DRIVETRAIN

Torque converter, single stage
Transmission, power shift, 3 speeds forward, 3 reverse, combined with 2 speed steering provides 6 speeds forward, 6 reverse, preset travel speed selection and auto-downshift
Steering, planetary type, 2 speed, left hand single lever control (joystick)
Filters, power train, equipment hydraulics, "spin-on" micro glass type
Brakes, foot, spring applied, hydraulically released
Decelerator - right foot pedal, and brake - center foot pedal

OPERATOR'S ENVIRONMENT

Air conditioner/heater/pressurizer/defroster, behind roof mounted
AM/FM radio with Bluetooth® and USB socket
Cab ROPS/FOPS integrated, sound suppression, 4 wipers w/washers, inside mirror, dome light, tinted safety glass, 2 sliding side windows, rear glass heated, air recirculation system, (approved according to ROPS - EN ISO 3471 and FOPS - EN ISO 3449)
Mirrors, 2 pcs, exterior
Seat, air suspension type, fabric cover, adjustable, high back, fixed 15° to the right
Arm rests
Seat belt (EN ISO 6683) - 3" wide, retractable
Sun visor for front cab window
Fire extinguisher
First aid kit

INSTRUMENTATION

TD-25M (Tier 3)

Electronic Monitoring System, LCD display:
Normal and diagnostic operating modes for engine and drive train, hourmeter, gear, range
Gauges: voltmeter (battery charge), drive train oil temperature, fuel level, coolant temperature, tachometer (engine rpm)
Engine and drive train diagnostics program indicator lights
Warning lights: engine ECM status, drive train oil high temperature, low coolant level, low engine oil pressure, high coolant temperature, low fuel level, high exhaust system temperature, battery charge level, low transmission clutches oil pressure
Warning lights - filters: without air cleaner cleaner warning lights, fan drive system filter, hydraulic oil filters, drive train pressure filter
Audible alarm for low coolant level, low engine oil pressure, high coolant temperature
Rear view camera
Integrated rear view camera display

ELECTRICAL

Alarm, back-up
Alternator 100 A (Tier 3)
Batteries (4) 12 V, 1000 CCA, cold start, maintenance free
Beacon light, rotating
Horn, electric
Lights on cab, cab side mounted - 2 LH & 2 RH; 2 rear, LED
Lights with guards, 2 front - lift cylinders mounted, 2 rear - fuel tank & hydraulic tank mounted, LED
Portable lamp receptacle, 12 V
Receptacle, starting/charging plug
Starting, 24 V
Starting aid - air grid heater (Tier 3 only)

UNDERCARRIAGE

Sprocket, segmented - 9 segments each side
Track adjusters, hydraulic
Track chain, sealed and lubricated (LTS) with split master link, 42 links (Tier 3)
Track chain guides, integral
Track frame, 7 roller, 2 140 mm (84") gauge, oscillating type, lifespan
lubricated rollers and idlers
Track shoes, 560 mm (22"), grouser type

GUARDS

Crankcase, hinged, with front pull hook, transmission, fan, radiator, sprocket
rock and dirt deflector
Engine hood, solid, sloped
Engine side doors, hinged, perforated type
Final drive seal guard
Radiator guard doors, louvered, two-piece, hinged

HYDRAULIC CONTROLS

3-spool valve, 1 lever with pilot operated blade control (lift/tilt), ready for ripper

OTHER STANDARD EQUIPMENT

Cylinders, lift, with quick drop valve
Diagnostic centers for power train and equipment hydraulic pressures
Drawbar, fixed
Ecological drains for engine oil, radiator coolant and hydraulic oil
Manuals: parts and operator's
Maintenance tool kit (includes grease gun)
Shovel, fuel tank mounted
Rear access platform
Tools compartment
Vandalism protection, one key for all locks

OPTIONAL EQUIPMENT

BLADE EQUIPMENT

D-2 Semi-U Dozer, 9.6 m³ (12.5 yd³), complete with all blade components, blade includes reinforced center push plate, with hydraulic tilt and manual pitch or hydraulic tilt/pitch

REAR MOUNTED EQUIPMENT

Drawbar, counterweight, 1 860 kg (4 100 lbs)

Additional counterweight (cast), 2 004 kg (4 410 lbs); recommended for use with large coal or landfill blades

Ripper, multi-shank with three shanks, partially mounted, with hydraulic pitch, includes deduct for drawbar, includes additional ripper light, LED, ripper frame mounted

Ripper single-shank beam, with hydraulic pitch, standard or deep dig, with electro-hydraulic pin puller and shank, partially mounted, includes deduct for drawbar, includes additional ripper light, LED, ripper frame mounted

TRACK SHOES

610 mm (24") shoes

660 mm (26") shoes

711 mm (28") shoes (not recommended for use with ripper)

OPERATOR'S ENVIRONMENT

For use with cab:

- Air recirculation system with MSHA filters, severe service
- Heated mirrors, 2 pcs, exterior
- Seat, heated, air suspension type, fabric cover, high back, adjustable (includes empty seat sensor and belt sensor)
- Sun visors (2), additional, for side door windows
- Additional cab lights, 2 front, LED

GUARDS

Final drive rock guard
Radiator door screen, for coal application
Track roller guards, full length
Transmission and engine crankcase guards, severe service
Electrical winch for engine crankcase guard
Electrical winch for transmission guard
Engine hood, perforated

ADDITIONAL OPTIONS

Emergency brake release system
Exhaust pipe, chrome
Fast fill - fuel tank
Inspection lamp, 12 V, portable, with 6 m (20') cable
Sound suppression package, for use with std solid or perforated hood
Starting/charging receptacle plug assembly (required to jump start or charge batteries) with 15 ft cable
1000 h maintenance package (filters)
2000 h maintenance package (filters)

EXPORT PACKING

Export packing, drive-on/drive-off, machine on the trailer
Export packing, drive-on/drive-off, machine on the railway wagon

FACTORY FIT OPTIONS

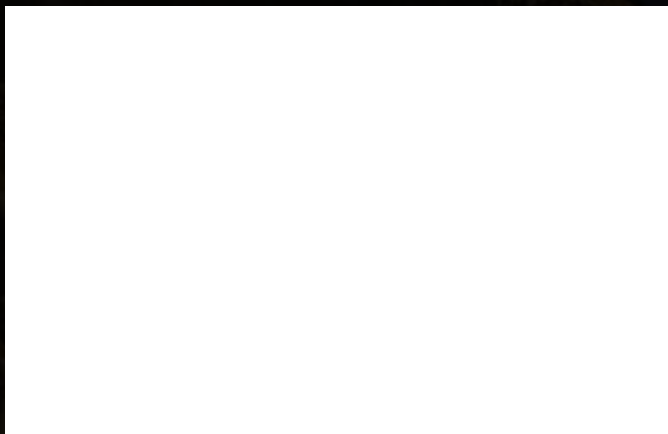
Centralized Lubricating System, for machine with or without ripper

At Dressta we take pride in innovating to help our customers to achieve more in the jobs they do. Our dedicated team of application engineers can customize designs, modify standard equipment and adapt attachments for peak performance in specific application tasks, improving productivity and bottom line results.

Do you have a Special Feature Request? See how Dressta can help you achieve more in the jobs you do.



LiuGong Dressta Machinery Sp. z o.o.
Centralnego Okręgu Przemysłowego 15
37-450 Stalowa Wola
info@dressta.com
www.dressta.com



DR-PB-TD25M-T3-StageIIIA-20-20022025-ENG

The Dressta series of logos herein, including but not limited to word marks, device marks, letter of alphabet marks and combination marks, as the registered trademarks of LiuGong Dressta Machinery Sp. z o.o. are used by LiuGong Dressta Machinery Sp. z o.o. with legal permission, and shall not be used without permission. Specifications and designs are subject to change without notice. Illustrations and pictures may include optional equipment and may not include all standard equipment.

Equipment and options varies by regional availability.