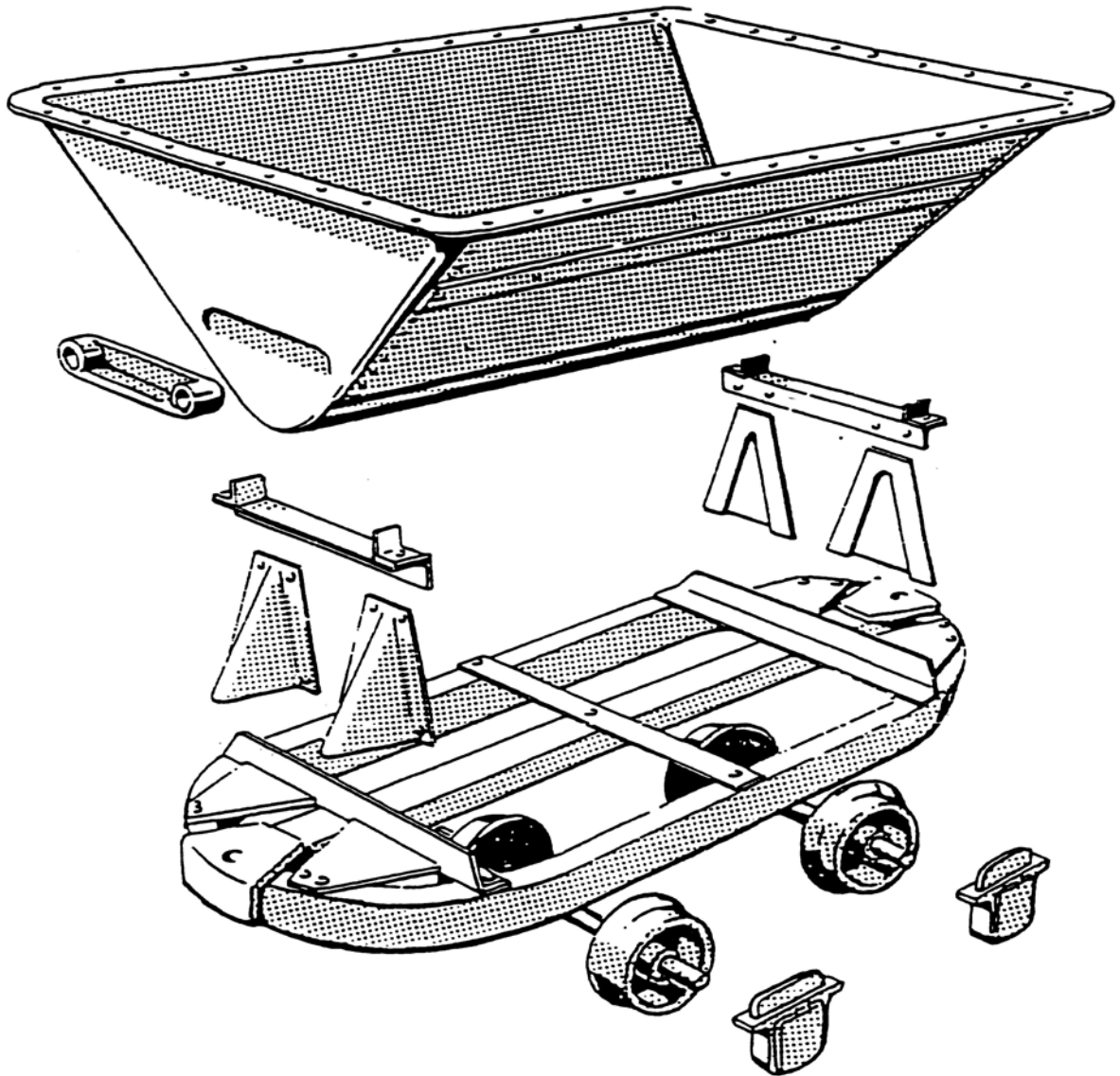


Hudson Tipper Wagon Kit

peterbinnie.com

Made in the UK by Peter Binnie, Coed Dyfi, Pennal, Machynlleth, SY20 9LB



Wheels are a tight fit on the axles. They do not require any adhesive to secure them.

For 32mm track wheels should be 28mm back to back.

Use Cyanoacrylate adhesive (Superglue) or Epoxy to secure axleboxes to chassis.

Other parts can be glued with liquid polystyrene cement (Humbrol liquid poly) but be generous in its application. The kit is made of ABS which is harder and more chemically resistant than polystyrene so requires more liquid cement (solvent) to weld it. The polystyrene cement that comes in tubes should not be used.

Any modellers paint can be used or car spray paint.

Lubricate axleboxes with light mineral oil.

Sales web site peterbinnie.com

Railway modelling web site colinbinnie.com