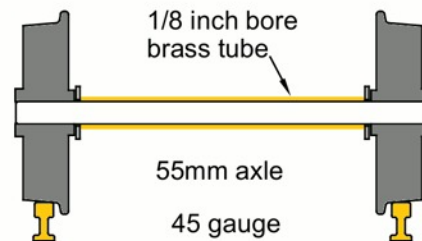
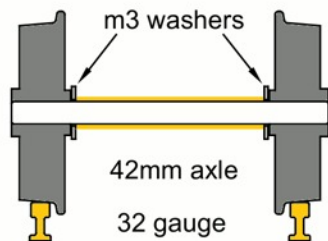


Information for Scratch Builders

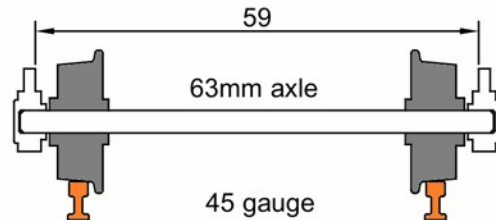
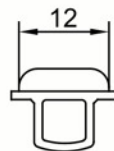
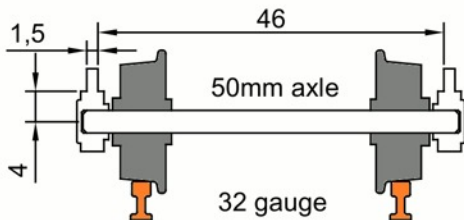
<https://peterbinnie.com>

Dimension in mm unless stated otherwise

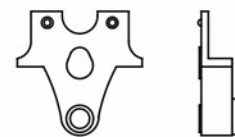
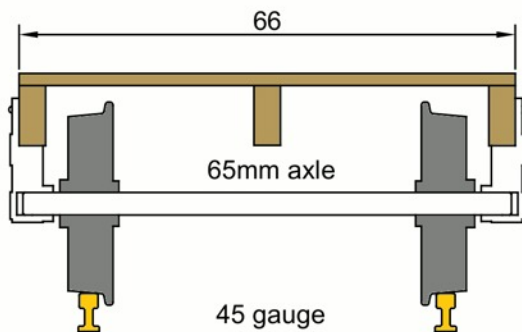
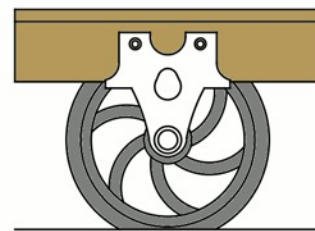
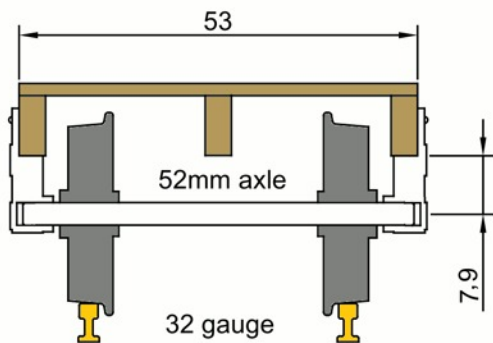
Axles for use with inside bearings

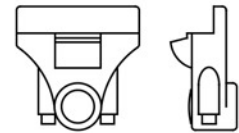
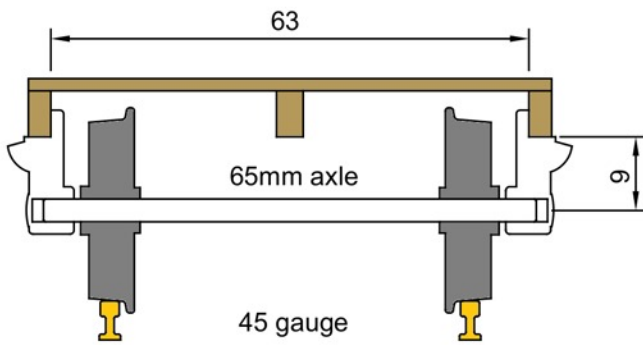
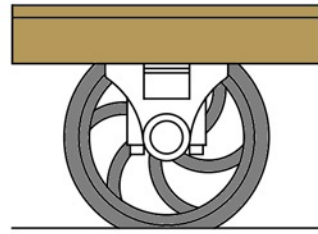
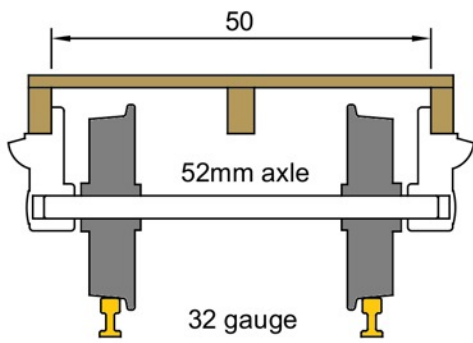


Hudson "rugga" tab mounted axleboxes as used on tipper wagons

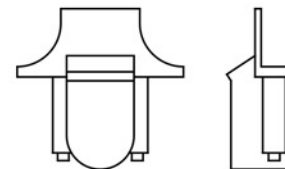
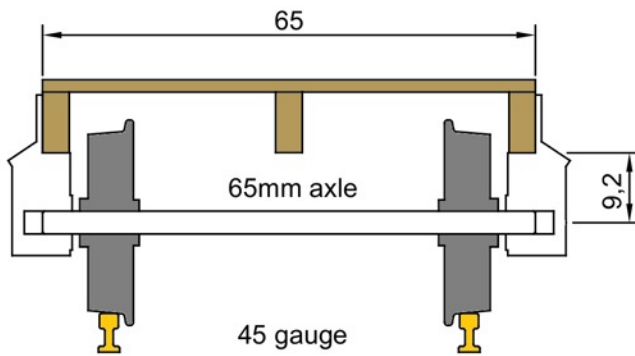
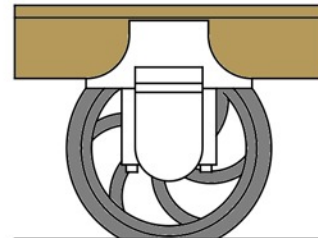
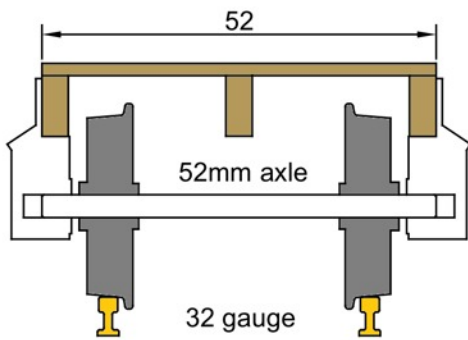


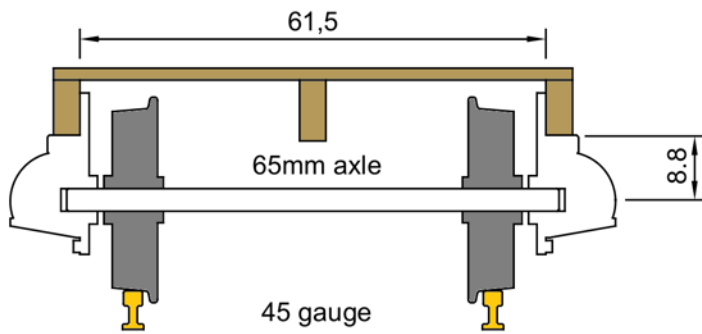
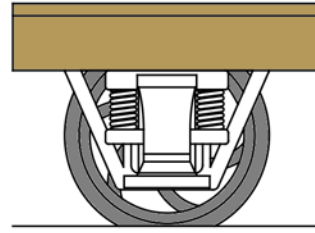
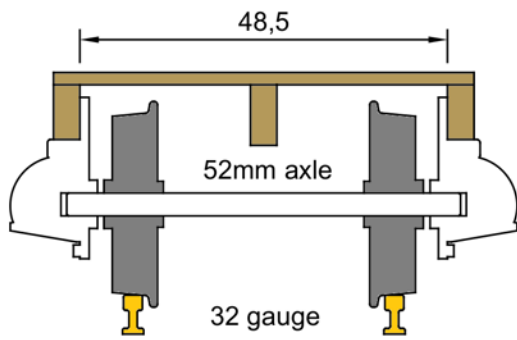
Early pattern Festiniog axleboxes, minimum wagon width.



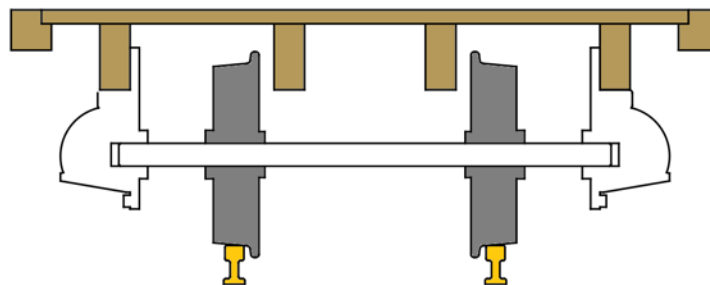


Festiniog axleboxes, minimum wagon width.

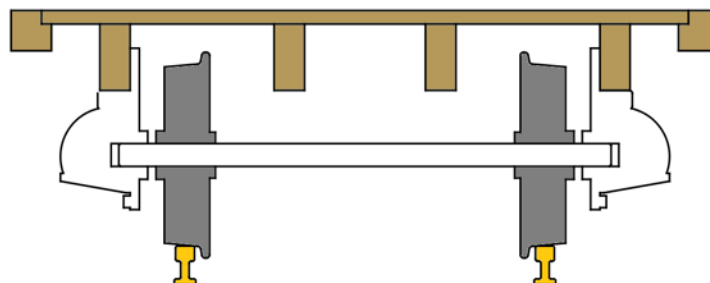




GVT axleboxes



Typical GVT coach chassis frame section



The information presented here is intended as an aid for scratch builders.

Care has been taken to ensure accuracy but this document is presented as is and without warranty.