



SCULPT™

FIREPLACE
COLLECTION



*Overseas model of wooden bench shown, Please refer to your dealer for details of the Australian model.



Sculpt Fireplace Collection brings to Australian homes the prestigious French fireplace manufacturer, Axis, who has captivated everyone by the grace of their warmth and elegant designs.

The Axis I1000 Collection is the perfect union between grandeur design and efficiency. An opportunity to add a new dimension to homes through maximum comfort and offering the perfect place for social gatherings and special moments.

From the choice of steel, to the meticulous hand assembly of each firebox, Axis artisans perpetuate the “Duty of Quality” with a simple objective, *“Make the fireplace the heart of your home”*.

AXIS I1000FS SINGLE SIDED



Handmade in France, the Axis I1000FS Single Sided wood fireplace is a display of geometric versatility and artisan engineered construction. This wood fireplace exudes a mesmerizing display of flames and unsurpassed design excellence. With the ability to introduce fresh air into the firebox with the optional outdoor air kit (recommended for 6 or more star rated homes) this will provide better efficiency and more effective combustion of the fire wood. The viewing area also gives this French hand made wood heater a luxurious ultramodern feel that is highly desired.



Hand made in the Rhone Alpes region of France



Equipped with safety damper



Optional outdoor air-kit



DAFS (Double Air Flow System)



Includes fire grate and ash pan

AXIS I1000FS DOUBLE SIDED



The French artisan engineered Axis I1000FS Double Sided is highly sought after by those who prize the sleek elegance of a panoramic wood heater combined with an unbelievable heating performance and double sided viewing area. With the ability to introduce fresh air into the firebox with the optional outdoor air kit (recommended for 6 or more star rated homes) this will provide better efficiency and more effective combustion of the fire wood. The Axis I1000FS Double Sided wood heater makes an impressive statement in any space.



Hand made in the Rhone Alpes region of France



Equipped with safety damper



Optional outdoor air-kit



DAFS (Double Air Flow System)



Includes fire grate and ash pan

Heats approximately 15-30 squares*

AXIS I1000IB SINGLE SIDED



Handmade in the Rhone Alpes region of France, the Axis I1000IB Single Sided wood fireplace is the result of true craftsmanship and artisan engineered construction. Designed to be installed into a custom built wall without the need for a masonry enclosure, this wood fireplace displays stunning contemporary sleek lines and unsurpassed luxurious comfort. The fine details and stunning craftsmanship from artisan engineers distinguishes the Axis I1000IB Single Sided from other wood heaters alike.



Hand made in the Rhone Alpes region of France



Equipped with safety damper



Optional outdoor air-kit and/or hot air transfer kit



DAFS (Double Air Flow System)



Includes fire grate and ash pan

Heats approximately 15-30 squares*

AXIS I1000IB DOUBLE SIDED



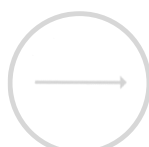
The simplistic design of the Axis I1000IB Double Sided wood heater will bring an ultramodern ambience to any open living space with the sleek silhouette of the firebox, quality handcrafted finishes, and a double sided viewing glass providing a mesmerising view of the dancing flames from both sides of the heater. Handcrafted in the Rhone Alpes region of France, it's been designed with the purpose of providing better efficiency and more effective combustion of the fire wood, all while delivering outstanding heating performance.



Hand made in the Rhone Alpes region of France



Equipped with safety damper



Optional outdoor air-kit and/or hot air transfer kit



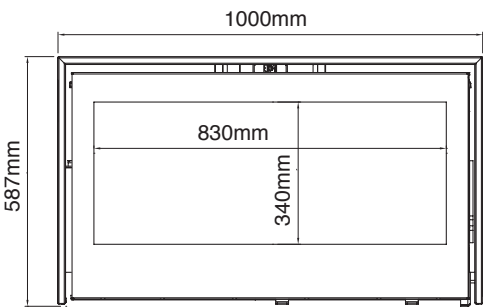
DAFS (Double Air Flow System)



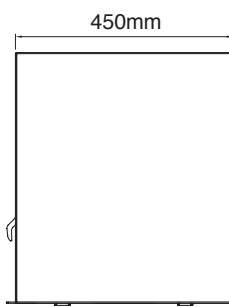
Includes fire grate and ash pan

AXIS Freestanding specifications

FRONT



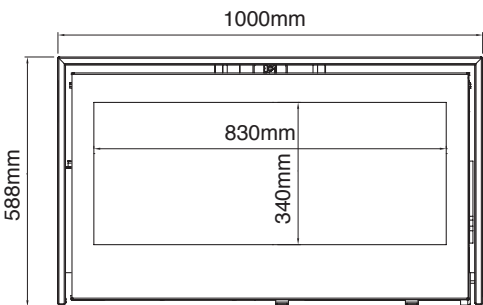
SIDE



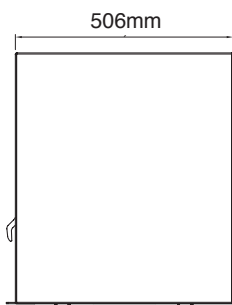
Axis I1000FS Single Sided

Material	Solid steel firebox with fire bricks
Heating Capacity	Up to 140m ² - 280m ² *
KW output	14.6kW
Avg Emissions	1.2g/kg
Avg Efficiency	66%
Door operation	Secure Swing door opening system
Flue dimension	200mm, 250mm, 300mm
Outside air kit	Recommended for well insulated homes
Warranty	10 year firebrick & 5 year firebox warranty**
Weight	180kg
Clearances	250mm rear 450mm sides
Minimum hearth dimensions	Width: 1220mm Depth: 550mm Thickness: 9mm***

FRONT



SIDE



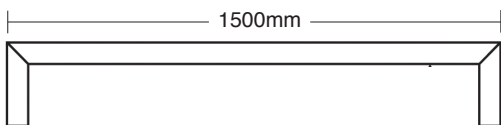
Axis I1000FS Double Sided

Material	Solid steel firebox with fire bricks
Heating Capacity	Up to 140m ² - 280m ² *
KW Output	18.7 kW
Avg Emissions	1.0g/kg
Avg Efficiency	62%
Door Operation	Two secure swing door opening systems
Flue dimensions	200mm, 250mm, 300mm
Outside air kit	Recommended for well insulated homes
Warranty	10 year firebrick & 5 year firebox warranty**
Weight	180kg
Clearances	1300mm in front & 450mm on either side
Minimum hearth dimensions	Width: 1220mm Depth: 550mm Thickness: 9mm ***

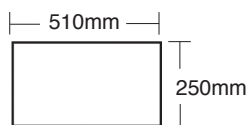
Bench Options

STEEL

FRONT

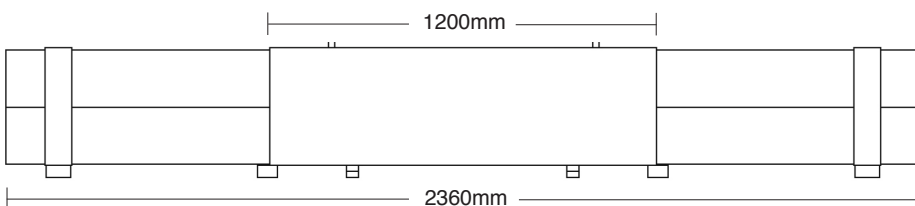


SIDE

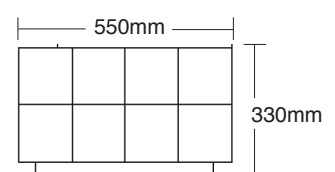


WOOD

FRONT



SIDE



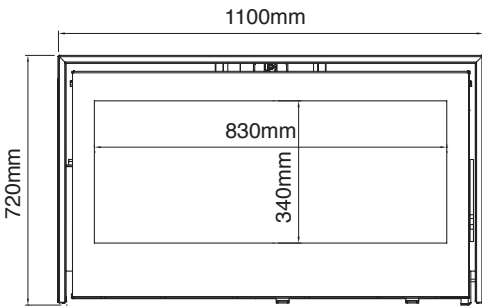
* Heating capacity of the following appliances are a guide only and refers to areas with 2.4m ceilings and 6 or more star rated buildings. Heating output may vary depending on factors such as building characteristics, quality of insulation, type of firewood used and climate zone.

** See warranty section in the installation manual for further details.

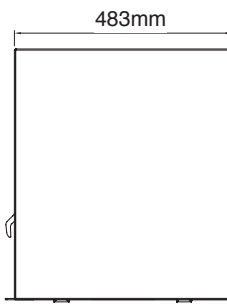
*** See clearances and hearth section in the installation manual for further details.

AXIS Inbuilt specifications

FRONT



SIDE



Axis I1000IB Single Sided

Material

Solid steel firebox with fire bricks
Includes zero clearance box

Heating Capacity

Up to 140m² - 280m²*

KW Output

14.6kW

Avg Emissions

1.2g/kg

Avg Efficiency

66%

Glass door

Secure swing door opening systems

Flue dimensions

200mm, 250mm, 300mm

Outside air kit

Recommended for well insulated homes

Warranty

10 year firebrick & 5 year firebox warranty**

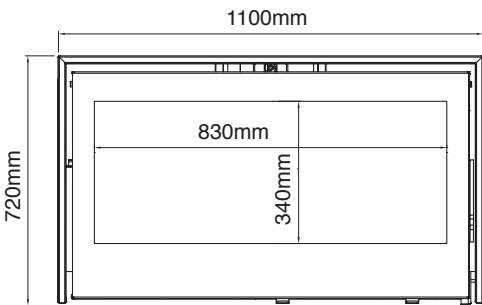
Weight

180kg

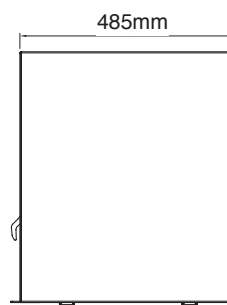
Minimum hearth dimensions

Width: 1220mm Depth: 700mm
Thickness: 25mm ***

FRONT



SIDE



Axis I1000IB Double Sided

Material

Solid steel firebox with fire bricks includes zero clearance box

Heating Capacity

Up to 140m² - 280m²*

KW Output

18.7kW

Avg Emissions

1.0g/kg

Avg Efficiency

62%

Glass Door

Two secure swing door opening system

Flue Dimensions

200mm, 250mm, 300mm

Outside Air Kit

Recommended for well insulated homes

Warranty

10 year firebrick & 5 year firebox warranty**

Weight

180kg

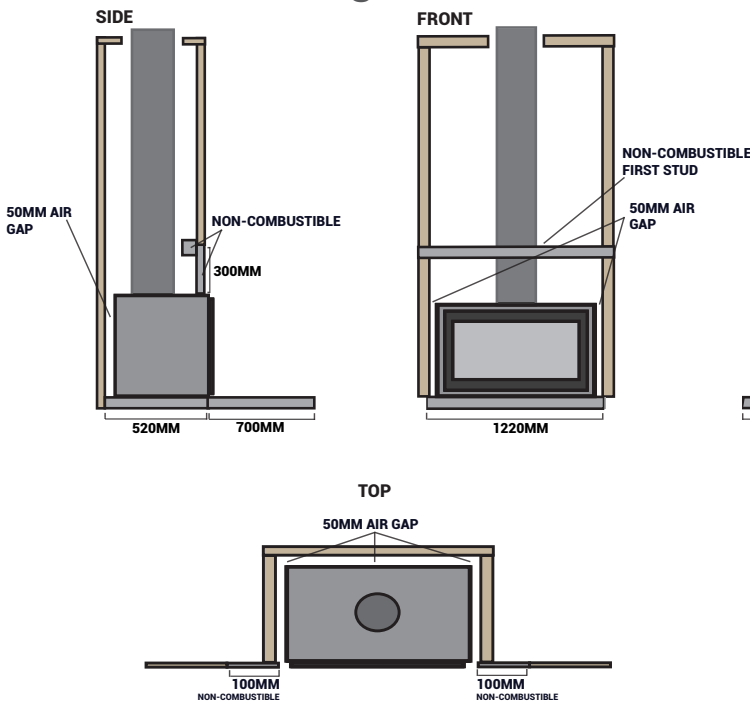
Minimum Hearth dimensions

Width: 1300mm Depth: 550mm (either side of firebox - 1605mm total)
Thickness: 42mm ***

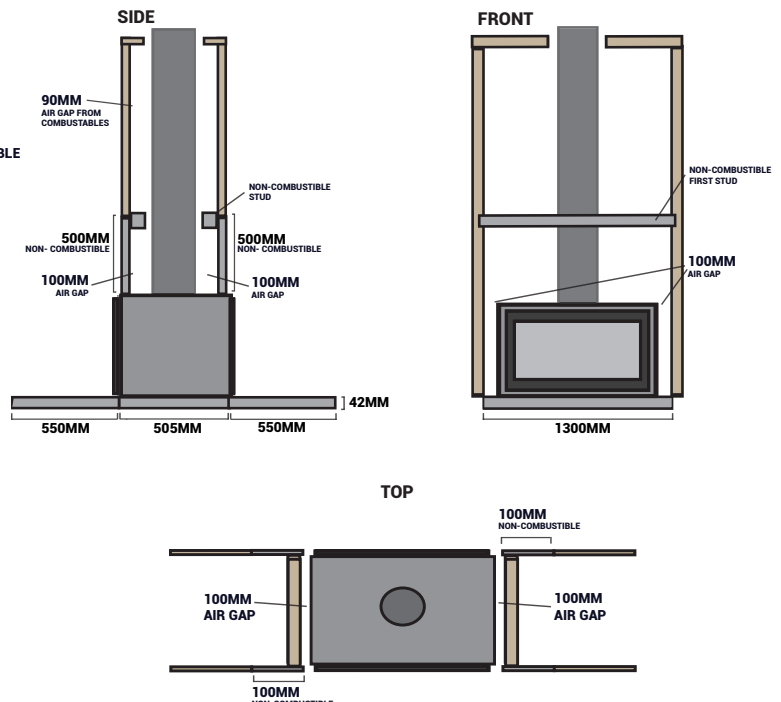
*Dimensions given for the inbuilt specifications are for the zero clearance box.

Clearances & Hearth

Axis I1000IB Single Sided

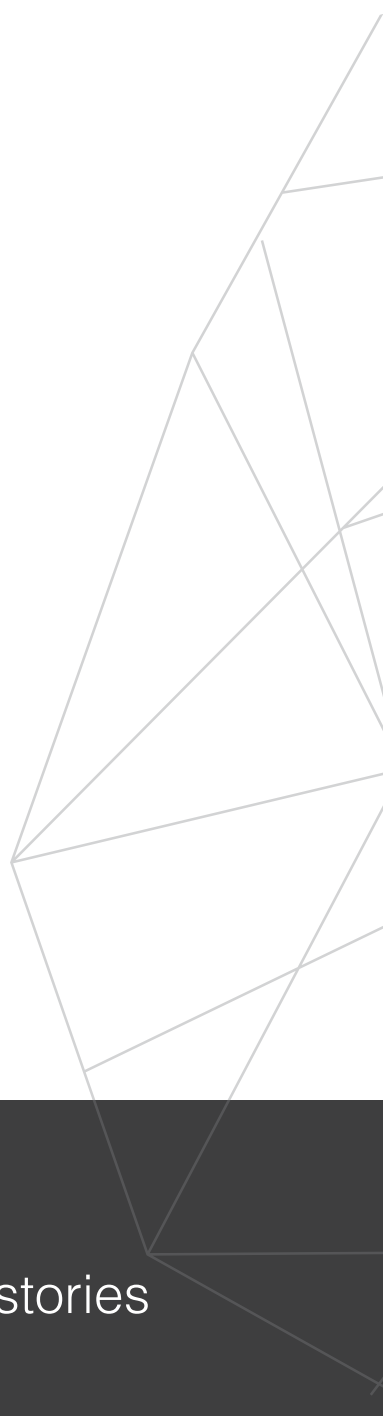


Axis I1000IB Double Sided



All images & diagrams in this brochure are for illustration purposes only. Refer to the clearances and hearth section in the installation manual for further details. E&O.E *In accordance with Australian and New Zealand Standard AS/NZS 2918:2001. All product images are a guide only, all wood fires must be installed as per AS/NZS 2918:2001 © Copyright 2019 Sculpt Fireplaces Collection





Grand statements and beautiful stories
starts from a simple thought

SCULPTTM

FIREPLACE
COLLECTION

1300 851 304
info@sculptfireplaces.com.au
PO Box, 1232 Mornington, VIC 3931
www.sculptfireplaces.com.au

