



Contemporary Styled Wood Heaters



New Season Brochure





Blaze slow combustion wood heaters are designed to be interactive with your living space, simple in operation and stylish in looks.

Providing excellent convection heat coverage, the Blaze range meets the current emission and efficiency requirements as set by the Australian Standards. Our heaters are built to provide year after year warmth and come with a 10 Year Warranty. Backed by over 30 years of industry knowledge and expertise by Glen Dimplex Australia, we are proud of our Australian designed Blaze range.



B100

Freestanding Radiant Wood Heater with approved wood storage

FEATURES

- 6mm Steel Baffle
- Stainless Steel Handle
- Cast Iron Door
- Ceramic Glass
- Firebrick lining
- 6mm Firebox construction
- Weight 115kg

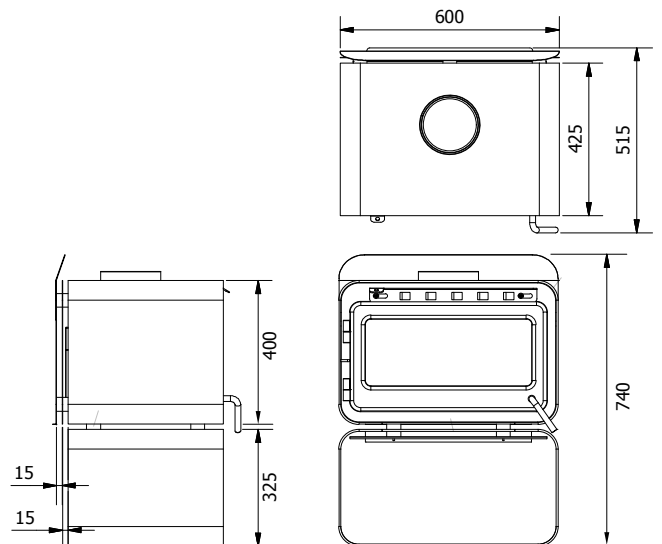
The Blaze 100 is small in foot print but a powerful radiant wood heater with a minimalistic design and easy to use features. Modern stainless steel handle cast iron door, ceramic door glass and constructed with 6mm steel. The B100 is just quirky enough to be uniquely stylish.

	Coverage	Emissions	Efficiency
B100	120-160m ²	0.96g/kg	83% Peak (ave 75%)

CLEARANCES

	FLUE SHIELD	Side	Rear	Front	Corner
B100	900mm Rear Flue Shield	700	200	300	400
	Decromesh with 490mm Inner Reflector	600	225	300	400

900mm wide hearth dimensions are the minimum only and may need to be extended to reach the wall behind the heater. Fibre cement thickness 7.5mm, toughened glass thickness 10mm





Remote Control



B520 & B820

Insert Convection Wood Heater with 3 speed Remote Control Fan

The Blaze 520 and 820 Insert range have been designed to be installed into a full masonry cavity or with an optional zero clearance kit. Easy to use features make the Blaze Insert models a great addition to any living space. 6mm steel construction, Black chrome handle, ceramic glass and firebrick internal lining of the firebox.

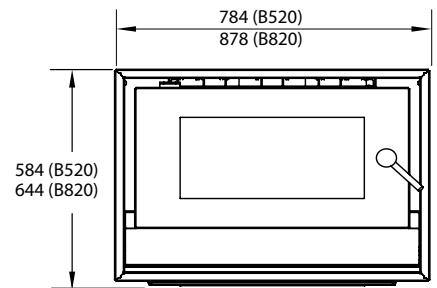
FEATURES

- Insulated firebox
- Heat exchange fins
- Convection chambers
- Remote control fan
- Removable ash tray

Weight 137kg (B520) 175kg (B820)
Zero Clearance Kit (optional)
50mm or 100mm
3 & 4 sided Facias (optional)

	Coverage	Emissions	Efficiency
B520	140-180m ²	1.3g/kg	77% Peak (ave 65%)
B820	200-260m ²	0.9g/kg	70% Peak (ave 61%)

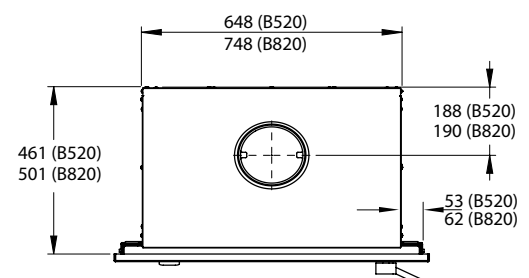
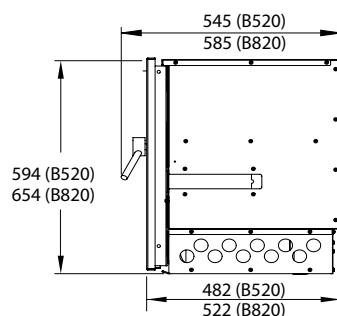
3 Speed Fan Remote is standard with all B520 & B820 models



Hearth Requirements

	B520		B820		
	Cement Sheet	Brick	Cement Sheet	Brick	
A	Thickness	15mm	110mm	15mm	110mm
	Width	900mm	900mm	1000mm	1000mm
	From Door	400mm	300mm	500mm	300mm
B	Thickness	7.5mm	110mm	7.5mm	110mm
	Width	900mm	900mm	1000mm	1000mm
	From Door	300mm	300mm	300mm	300mm

Measured from the Base of appliance.
A= Less than 250mm above floor.
B = Greater than 250mm above the floor.





blaze



B500 & B800

Freestanding Convection Wood Heater
with 3 speed Manual Control Fan

The Blaze 500 & 800 Range, designed in Australia has excellent efficiency with amazing coverage. 6mm Steel construction, large firebox and easy to use features.

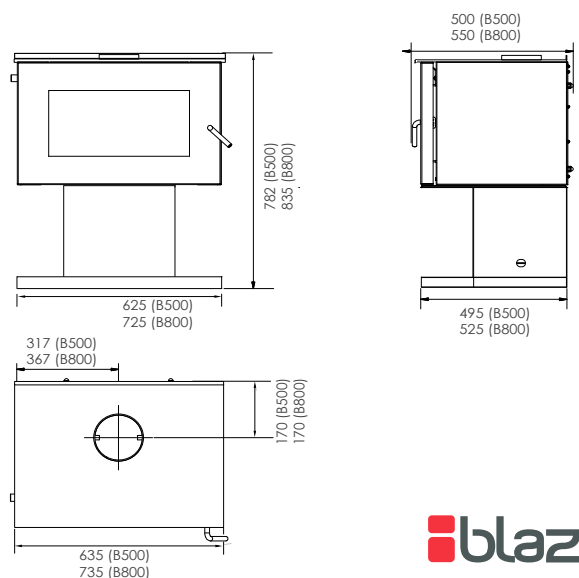
- FEATURES**
- 8mm Steel Baffle
 - Stainless Steel Handle
 - Large Steel Door
 - Ceramic Glass
 - Firebrick lining
 - 6mm Firebox construction
 - Weight 131kg (B500) 167kg (B800)

	Coverage	Emissions	Efficiency
B500	160-190m ²	0.71g/kg	73% Peak (ave 60%)
B800	220-260m ²	0.88g/kg	73% Peak (ave 67%)

CLEARANCES

	FLUE SHIELD	Side	Rear	Front	Corner
B500	Decromesh with 490mm Inner Reflector	350	125	300	100
B800	Decromesh with 490mm Inner Reflector	425	175	400	150

1000mm wide hearth dimensions are the minimum only and may need to be extended to reach the wall behind the heater. Fibre cement sheet thickness 15mm.



blaze



Remote Control



LOW EMISSIONS

blaze



B605 & B905

Bench mounted Convection Wood Heater with 3 speed Remote Control Fan

The 605/905 Range not only looks modern and contemporary but it has excellent efficiency with amazing coverage. Offering a standard 3 speed remote fan control and 6mm toughened glass table top the Blaze 605/905 is designed to enhance any living space.

- FEATURES**
- 6mm Steel Baffle
 - Stainless Steel Handle
 - Large Steel Door
 - Ceramic Glass
 - Firebrick lining
 - 6mm Firebox construction
 - Weight 198kg (B905) 153kg (B605)

	Coverage	Emissions	Efficiency
B605	150-190m ²	0.67g/kg	87% Peak (ave 70%)
B905	200-260m ²	0.74g/kg	84% Peak (ave 72%)



Configurations available

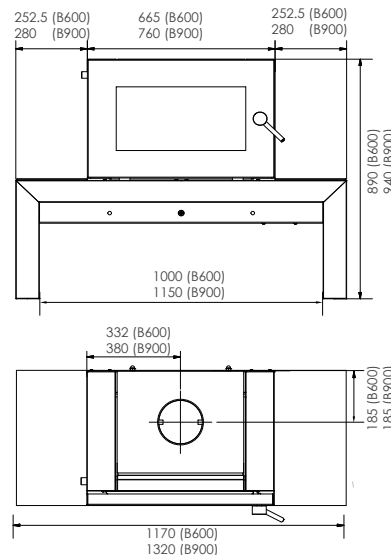
Left mount (SL)

Right mount (SR)

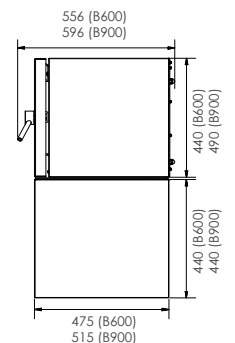
	FLUE SHIELD	SC	SR	SL	R	C	F
B605	900mm Rear Flue Shield	425	505	425	150	150	300
	Decromesh with 490mm Inner Reflector	425	505	425	225	150	300
B905	900mm Rear Flue Shield	375	560	375	175	150	300
	Decromesh with 490mm Inner Reflector	375	560	375	225	150	300

SC= Firebox centre mounted | SR = Firebox right side mounted | SL = Firebox left side mounted
R = Rear clearance | C = Corner clearance | F = Front of door opening to hearth. Measurements are referenced to the left hand side of the firebox.

1000mm wide hearth dimensions are the minimum only and may need to be extended to reach the wall behind the heater. Fibre cement sheet thickness 7.5mm, toughened glass thickness 10mm.



3 Speed Fan Remote is standard with all B605 & B905 models





Remote Control

B600 & B900

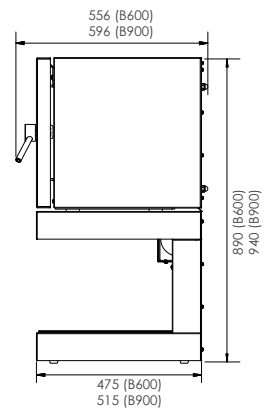
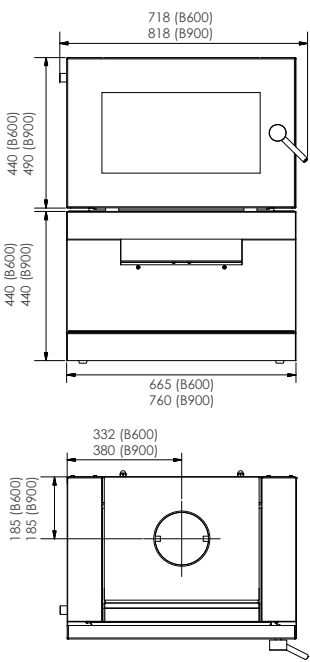
Free Standing Convection Wood Heater
with Remote Control 3 speed Fan

FEATURES

- 6mm Steel Baffle
- Stainless Steel Handle
- Large Steel Door
- Ceramic Glass
- Firebrick lining
- 6mm Firebox construction
- Weight 190kg (B900) 155kg (B600)

The 600 & 900 Range not only looks modern and contemporary but it has excellent efficiency with amazing coverage. Offering a standard 3 speed remote fan control and 6mm toughened glass wood stack base. 6mm steel construction with a large internal firebox. The easy to use functions make the 600 & 900 models an all-round winner.

	Coverage	Emissions	Efficiency
B600	150-190m ²	0.67g/kg	87% Peak (ave 70%)
B900	200-260m ²	0.74g/kg	84% Peak (ave 72%)



3 Speed Fan Remote is standard with all 600 & 900 models



Floor Protector

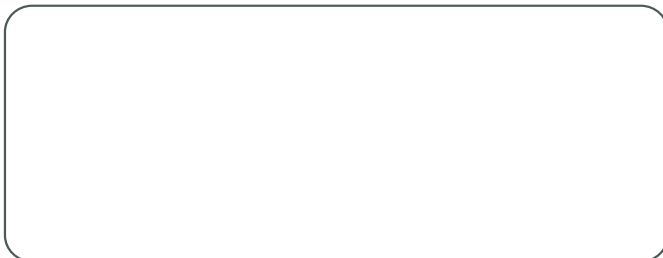
900mm wide hearth dimensions are the minimum only and may need to be extended to reach the wall behind the heater. Fibre cement sheet thickness 7.5mm, toughened glass thickness 10mm

CLEARANCES

	FLUE SHIELD	CLEARANCES			
		Side	Rear	Front	Corner
B600	900mm Rear Flue Shield	425	150	300	150
	Decromesh with 490mm Inner Reflector	425	225	300	150
B900	900mm Rear Flue Shield	375	175	300	150
	Decromesh with 490mm Inner Reflector	375	225	300	150

blazefireplaces.com.au

Authorised Appointed Dealer



Glen Dimplex
AUSTRALIA

Glen Dimplex Australia Pty Ltd
5-7 Duncan Road, Dry Creek SA 5094
T 1300 554 155 | F +61 8 8260 6643
glendimplex.com.au

All measurements contained within this document are in millimeters unless otherwise specified. In the interest of product development, Glen Dimplex reserves the right to alter or change the product specifications stated in this document without prior notice.



Glen Dimplex Australia provide a 10 Year Firebox Warranty for all Blaze models.



Blaze models meet or exceed the emissions standards AS/NZS 4012 & 4013



Glen Dimplex Australia proudly supports the activities of Landcare Australia through its membership of the AHHA.