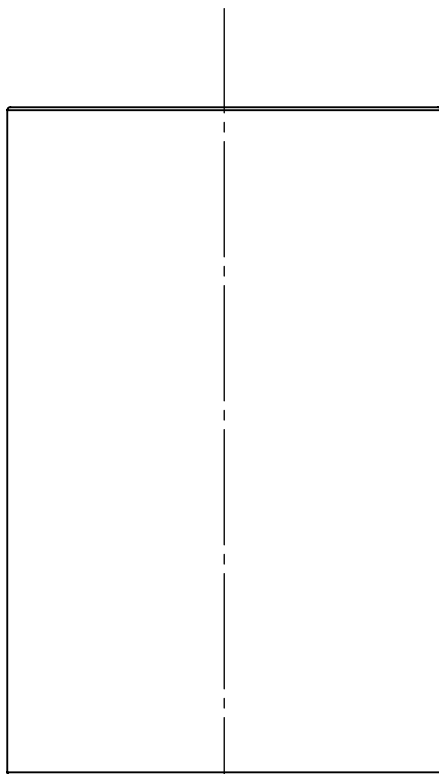


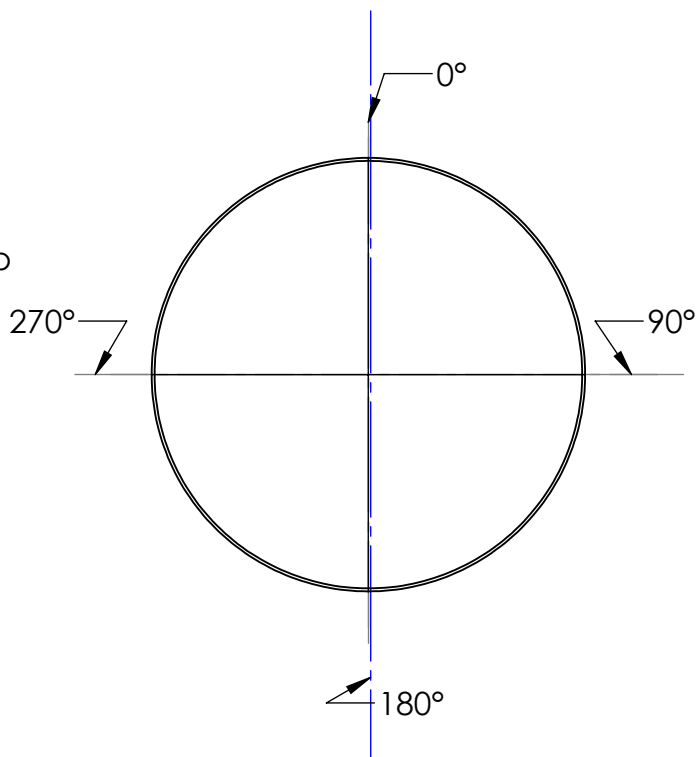
Montana Fiberglass, Inc.
2063 Casino Creek Drive
Lewistown, MT 59457
PH 800-899-3281
FX 406-538-9497

Customer: _____

Side



Top



FITTINGS/ADD-ONS(COMES STANDARD WITH THREE 2" COUPLINGS AND ONE MANWAY AT NO ADDED CHARGE)

Ref	Size(")	Description	Elev.	Orientation
A(Manway)	24"	Manway		
B				
C				
D				
E				

COMMENTS:

PROPRIETARY AND CONFIDENTIAL
 THE INFORMATION CONTAINED IN THIS DRAWING IS THE SOLE PROPERTY OF MONTANA FIBERGLASS, INC. ANY REPRODUCTION IN PART OR AS A WHOLE WITHOUT THE WRITTEN PERMISSION OF MONTANA FIBERGLASS, INC. IS PROHIBITED.

	INITIALS	DATE
DRAWN		
CHECKED		
APPROVED		
DESIGN USE: ABOVEGROUND Potable Non-potable		
FINISH (standard is Carlsbad Mocha color):		

Size

_____ **Customer Signature**