

JL 2018 & UP 2 DOOR SLANT

EZ WINDOW ASSEMBLY

MANUAL

#1918 0064

MAKE IT EZ

Print the latest manual &
Watch the EZWINDOW Video
Part #1918 0064



Scan QR CODE for
Video & PDF MANUALS

READ FIRST

There are many variations of Jeeps, soft tops, hardtops, and with & without speakers.

When **INSTALLING** your EZTRUNK or EZWINDOW in your Jeep, and it doesn't fit due to Jeeps' variations, please call us.

WE HAVE THE COMPONENTS TO MAKE IT WORK PROPERLY. We also offer help with installations via FaceTime, Skype, cell, or any other way you would like to get install done quickly.



Customer Service

Any questions? WE ARE HERE TO HELP!

Text or Call 203-901-0055 / Call 203-591-9060








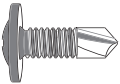
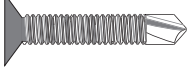



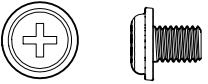
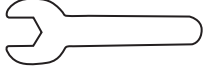



EMAIL US: SERVICE@EZTRUNK.NET

7 day a week 8:30 am EST

DO NOT RETURN, WE CAN HELP YOU!

PO# :


Please read instructions fully before beginning assembly

NO	Illustration	Description	Part #	QTY.
1		Clamps For Roll Bar	25643-1B	2
2		Support Bar For Driver Side	63416B	1
3		Support Bar For Passenger Side	63417B	1
4		Plastic Bracket For Driver Side	189004	1
5		Plastic Bracket For Passenger Side	189003	1
6		Metal Plates	15900	2
7		Metal Plate Bolts M5x30	55301	4
8		Self-drill Screws	4122	2
9		Self-drill Screws	4322	5
10		Clamp Lock Nuts M6	10062	2+1 extra
11		Pins	25641	2
12		Velcro Straps	251802	2
13		Roll Bar Clamp Screws	66041	2+1 extra
14		Wrench	#10	1
15		Corrugated Pins	24811	2+1 extra
16		Bungees w/ Hook	5001	2
17		Rubber Cap For Clamp Bolt	M6	1 extra

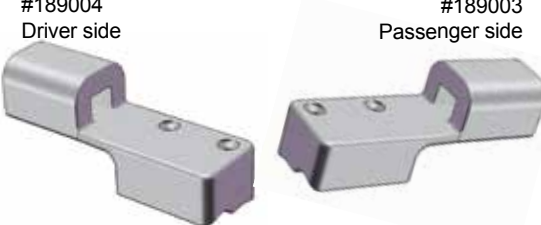
MAKE IT EASY: CHECK OUT THE ASSEMBLY INSTRUCTION VIDEO - USE QR CODE

1

#55301 #15900



#189004 Driver side #189003 Passenger side



2

Driver side

#15900
window rear bar

Drop metal plate inside groove of window rear bar.



Remove window rear bar



3

Driver side
WINDOW REAR BAR WITH OPEN SLOT

#55301

#189004 Driver side

Line up part 189004 as close as you can to the first ridge




DO NOT USE POWER TOOLS EXCEPT #4

4

Driver side
WINDOW REAR BAR WITHOUT OPEN SLOT

#4322

#189004 Driver side


Line up part 189004 as close as you can to the first ridge



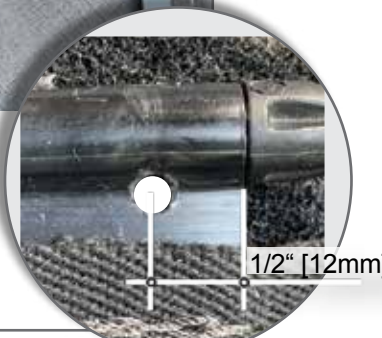

Follow instructions to install the left & right sides

5

#4122




1. Remove rear window from Jeep
2. Use self-drill screw to make a hole 1/2" from the side
3. Drill a hole on each side of the rear window



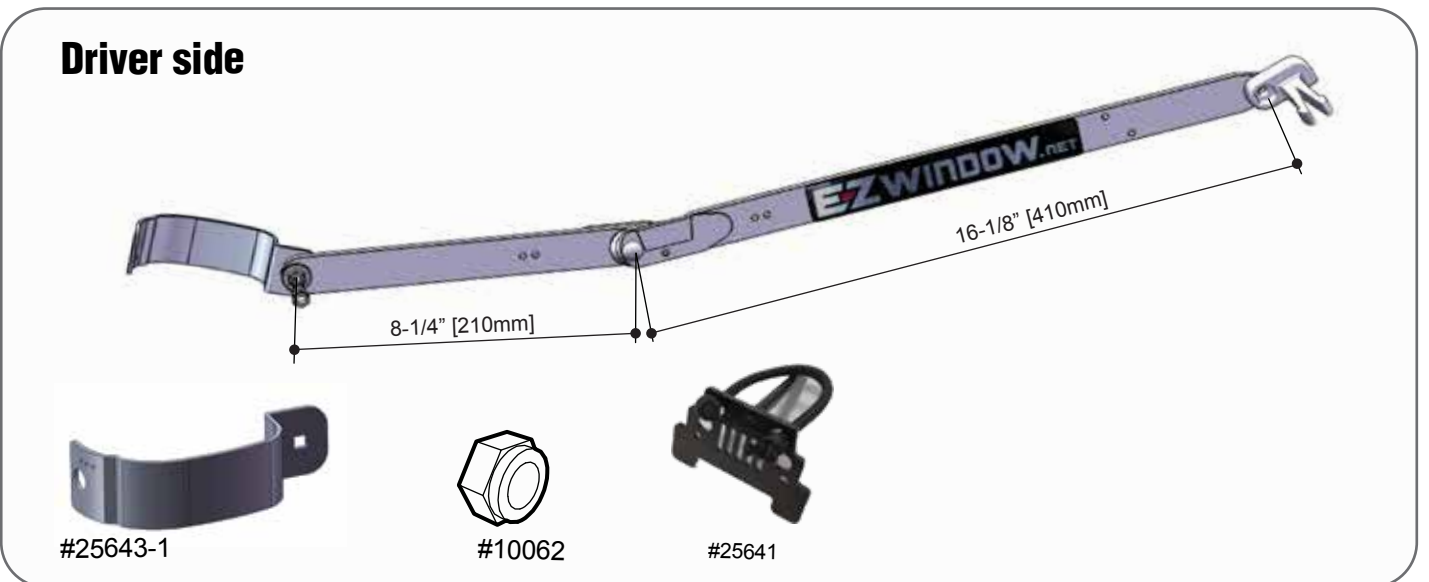
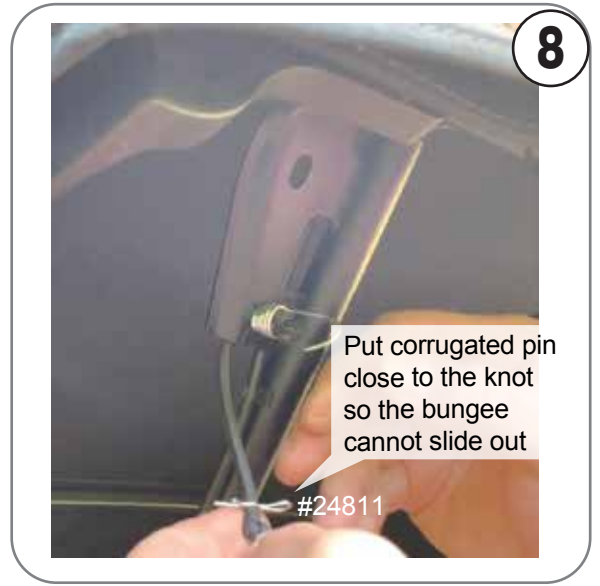
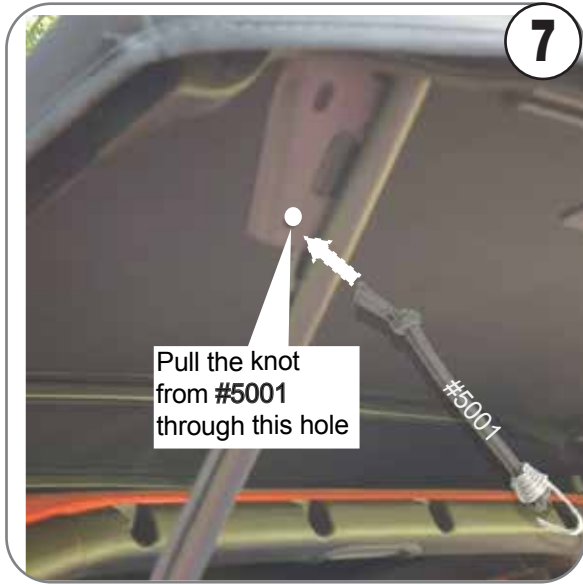
6

#5001

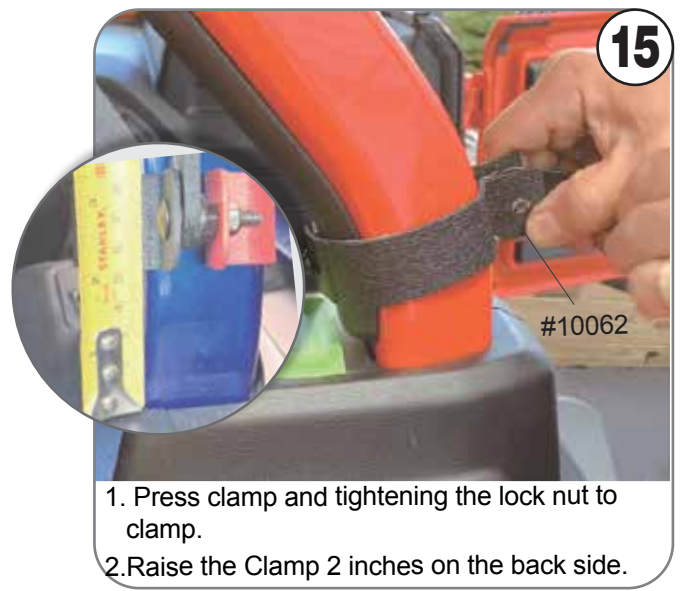
#24811



MAKE IT EASY: CHECK OUT THE ASSEMBLY INSTRUCTION VIDEO - USE QR CODE



MAKE IT EASY: CHECK OUT THE ASSEMBLY INSTRUCTION VIDEO - USE QR CODE



1. Press clamp and tightening the lock nut to clamp.
2. Raise the Clamp 2 inches on the back side.



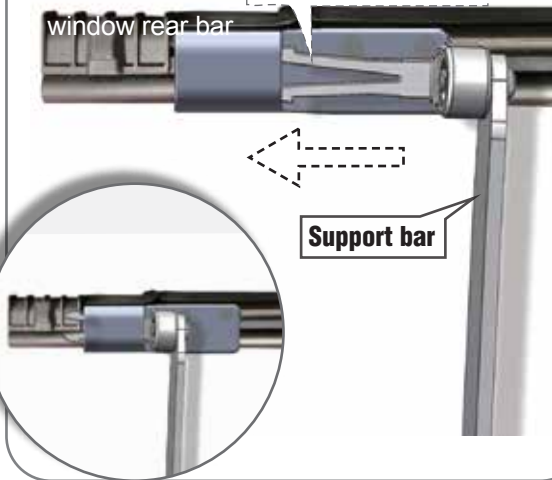
1. Install rear aluminum bar to soft windows.

MAKE IT EASY: CHECK OUT THE ASSEMBLY INSTRUCTION VIDEO - USE QR CODE

Driver side

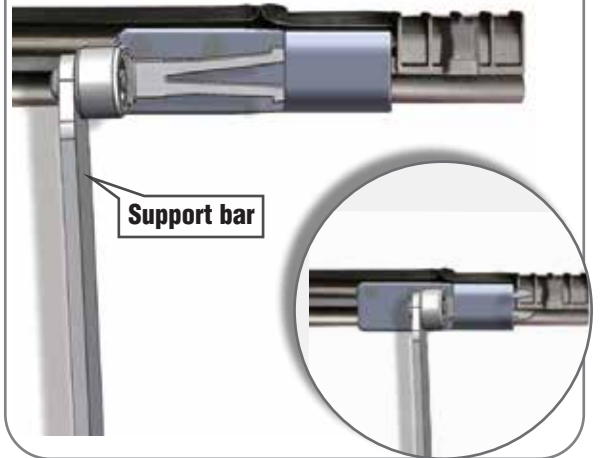
Squeeze pin, push in until it clicks in place.

18



Passenger side

19



How to use EZWINDOW

With EZWINDOW

20A



1. Fold the side of the window with one hand
2. Pull the EZWINDOW toward you

Without EZTRUNK version

20B



1. Open the back door
2. Pull up the rear window with both hands

21



Driving with widow open. Use the pin to lock EZWINDOW in place. Use lower level ONLY when Driving.

22



Once inserted, secure the pin with the bungee

STORING EZWINDOW WHEN YOU INSTALL HARDTOP OR GO TOPLESS

23



#251802

Loop facing out

Support bar

1. Put Velcro on both roll bars
2. Place Velcro at 4 inches high, Ensure support bar doesn't hit roll bar

24



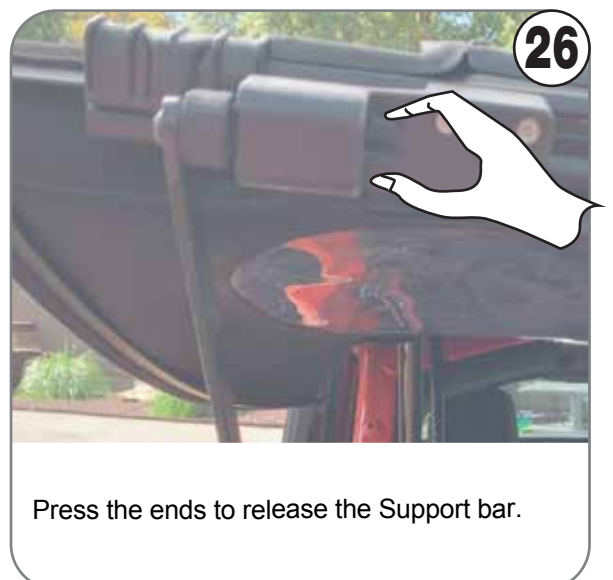
Move Pin back to lower location

25



Bend the side bars up to fold the window down

26



Press the ends to release the Support bar.

27A



Use the Velcro to secure the EZWINDOW .
Slide the Velcro where the EZWINDOW touches the Roll bar to protect it from Scratching.

27B



MAKE IT EASY: CHECK OUT THE ASSEMBLY INSTRUCTION VIDEO - USE QR CODE



**Scan QR CODE for
Video & PDF MANUALS**

Customer Service

Any questions? WE ARE HERE TO HELP!

Text or Call 203-901-0055 / Call 203-591-9060

EMAIL US: SERVICE@EZTRUNK.NET

7 day a week 8:30 am EST

DO NOT RETURN, WE CAN HELP YOU!