



EZLOCK ASSEMBLY MANUAL

BEFORE BEGINNING, LOOK AT ASSEMBLY VIDEO ON EZTRUNK.COM



Customer Service

If you have a question or concern

EMAIL US: SERVICE@EZTRUNK.NET

or call 203-591-9060

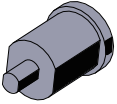
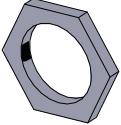

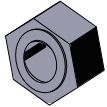

Monday-Friday 8:30am-4:30pm EST

PDF manual on www.EZTRUNK.com

DO NOT RETURN TO THE STORE!

**CUSTOMER SERVICE:
SERVICE@EZTRUNK.NET
CALL: 203-591-9060**

Please read instructions fully before beginning assembly

NO	Illustration	Description	Part #	QTY.
1		Cam lock	L1101	1
2		Nut_20	L1102	1
3		Rod	L1121 2 Door Jeep L1141 4 Door Jeep	1
4		Lock Nut M8	L2082	1
5		Key	L1103	2

RECOMMENDED TOOLS



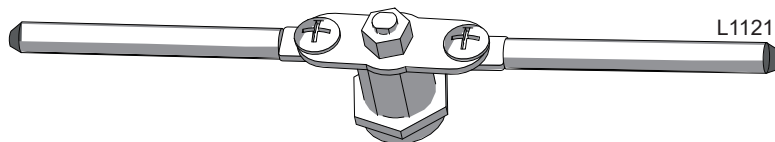
#11 #17 #24



#8

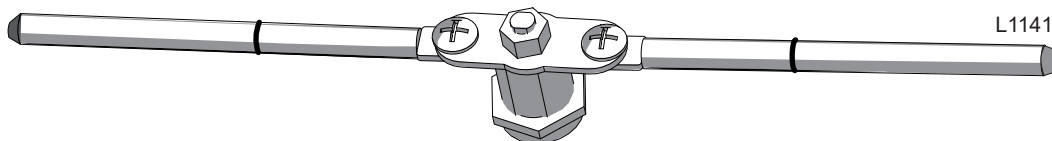
**PLEASE NOTE:
DO NOT USE ELECTRIC TOOLS
THIS WILL CAUSE SCREWS TO STRIP**

Each kit comes with one lock. Either the short one for the 2 doors or the long one for the 4 doors



L1121

1900 0039
2 Door Jeep

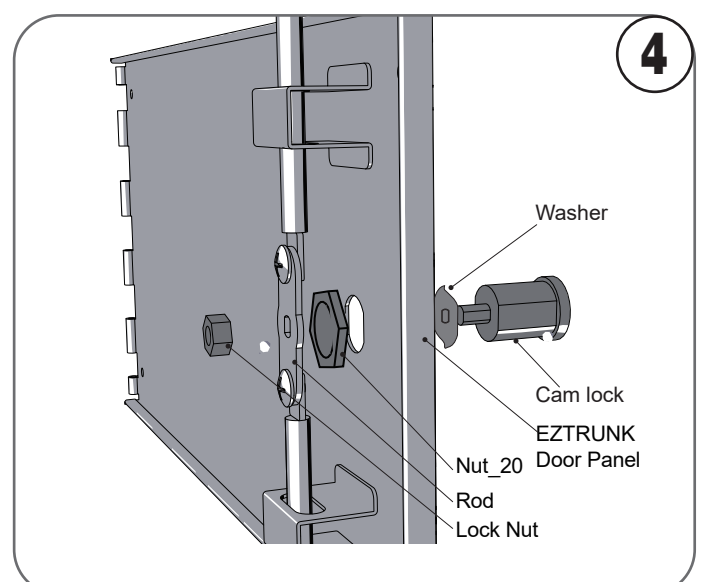
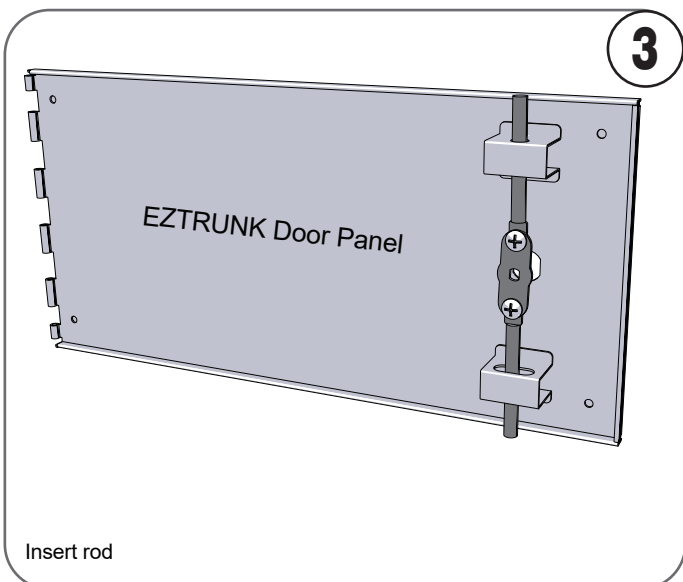
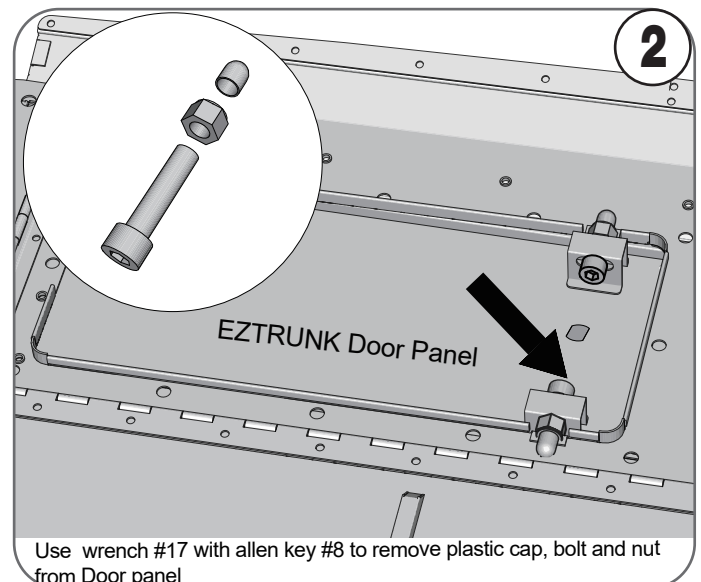
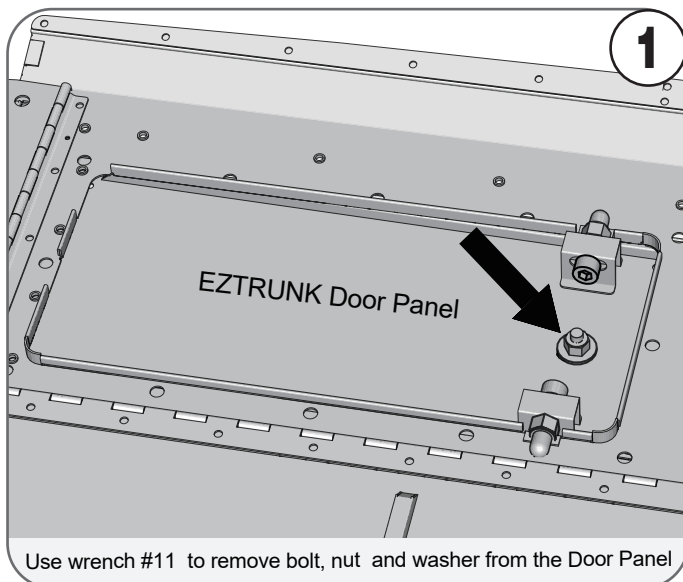
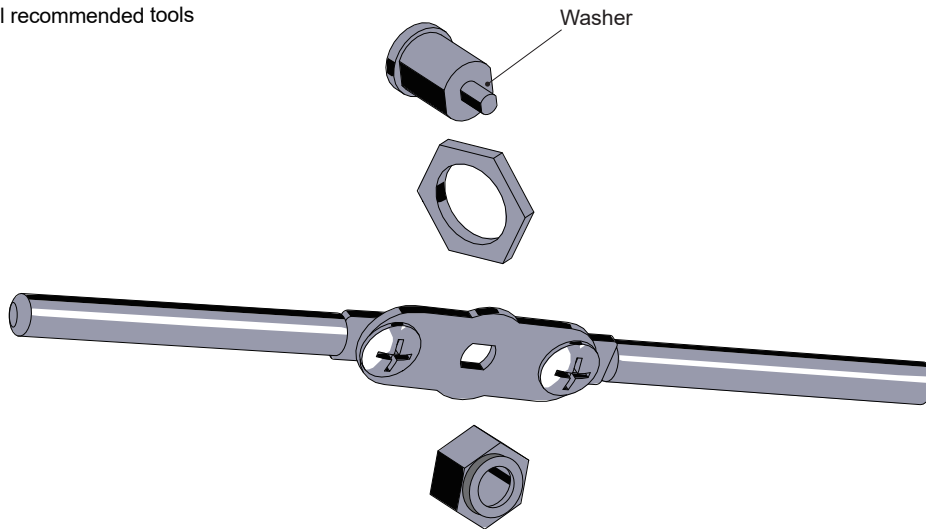


L1141

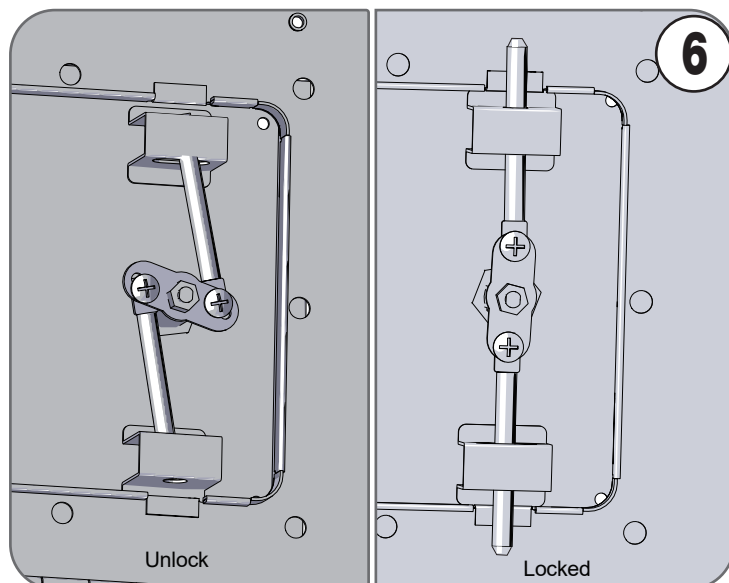
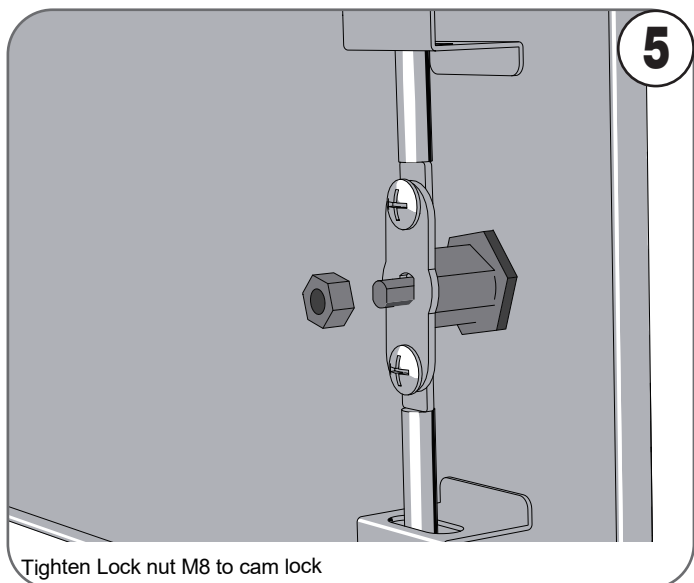
1900 0040
4 Door Jeep

BEFORE BEGINNING, LOOK AT ASSEMBLY VIDEO ON EZTRUNK.COM

Pull lock apart using all recommended tools



BEFORE BEGINNING, LOOK AT ASSEMBLY VIDEO ON EZTRUNK.COM



Customer Service

If you have a question or concern

EMAIL US: SERVICE@EZTRUNK.NET

or call 203-591-9060

Monday-Friday 8:30am-4:30pm EST

PDF manual on www.EZTRUNK.com

DO NOT RETURN TO THE STORE