



**JK EZ WINDOW.NET**

**2 DOOR ASSEMBLY MANUAL**

**LOT#:**



# Customer Service

*If you have a question or concern*

**Email: [service@neopmail.net](mailto:service@neopmail.net)**


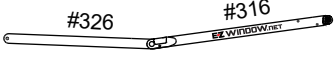

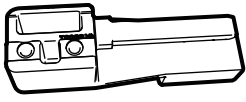
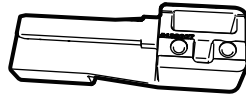
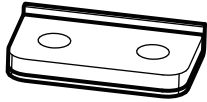
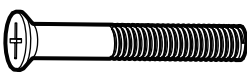
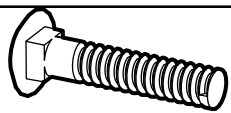





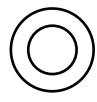

**or call 203-591-9060**

*Monday-Friday 8:30am-4:30pm EST*

PDF manual on [www.EZTRUNK.com](http://www.EZTRUNK.com)

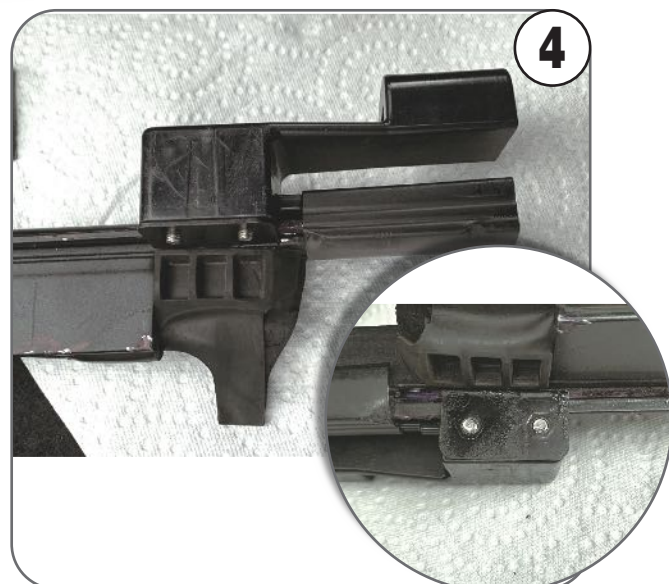
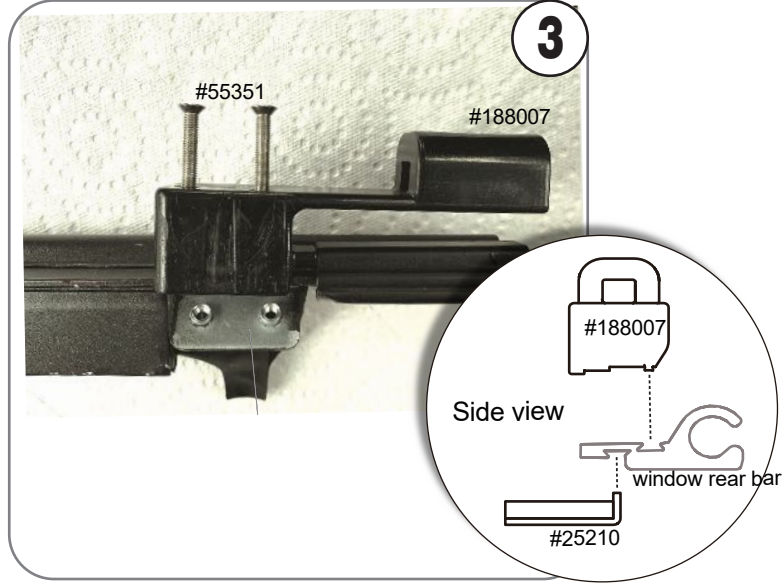
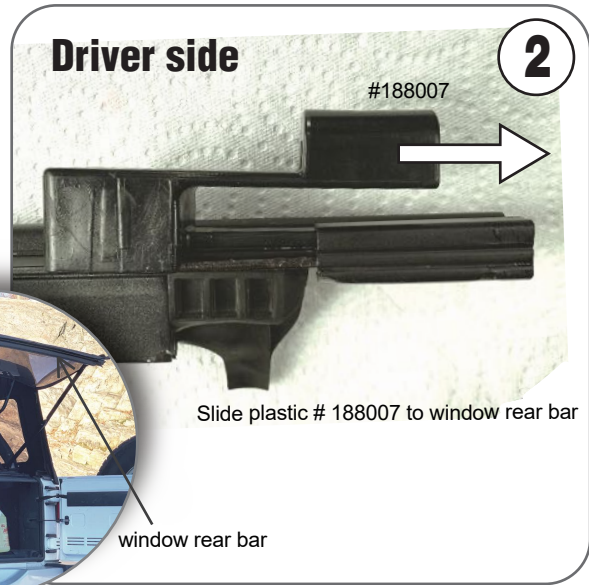
**DO NOT RETURN TO THE STORE!**

# Please read instructions fully before beginning assembly

NO	Illustration	Description	Part #	QTY.
1		Clamp	25651B* 25651R*	2
2		Support bar_Driver	33516B* 33516R*	1
3		Support bar_Passenger	33517B* 33517R*	1
4		Plastic holder_Driver	188006	1
5		Plastic holder_Passenger	188007	1
6		Metal plate	25210	2
7		Bolt M5x35	55351	4
8		Bolt M6x30	26301	2
9		Lock Nut M6	10062	5**
10		Nut M6(on clamp)	10060	2
11		Pin	25641	2
12		Velcro strip	251801	2
13		Metal washer (black)	1806012	4
14		Plastic washer (dark grey)	1806112	4
15		Wrench #10	#10	1

\* Two different colors. B for black and R for red

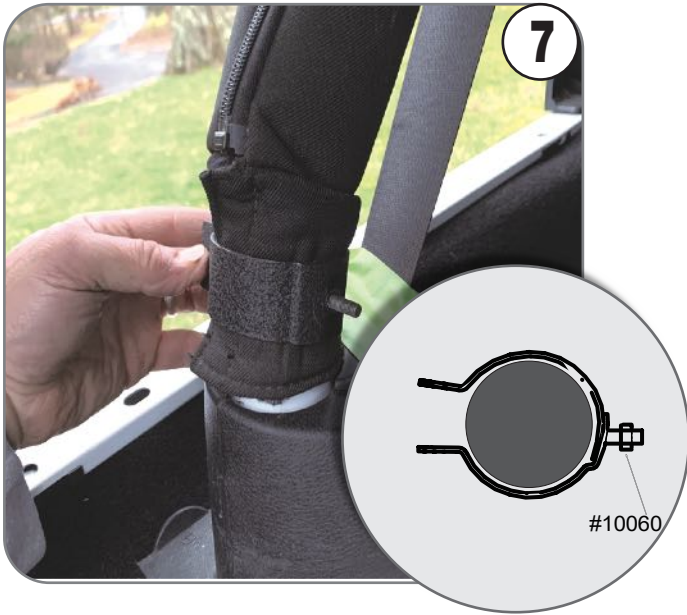
\*\* 1 extra piece



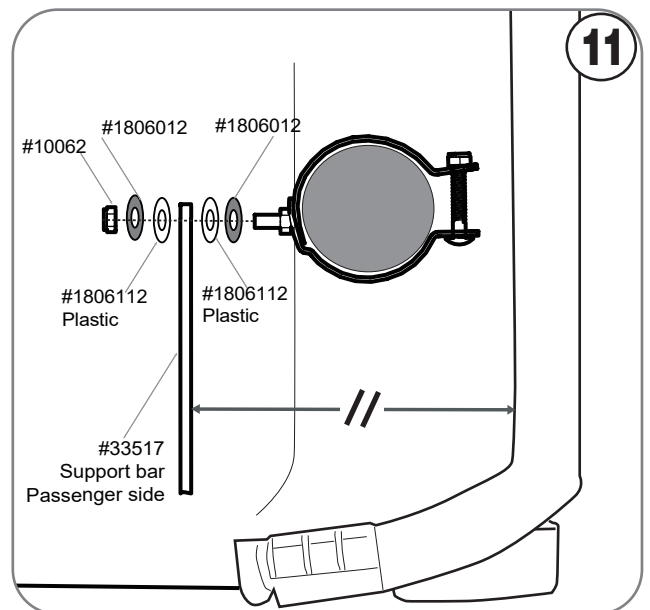
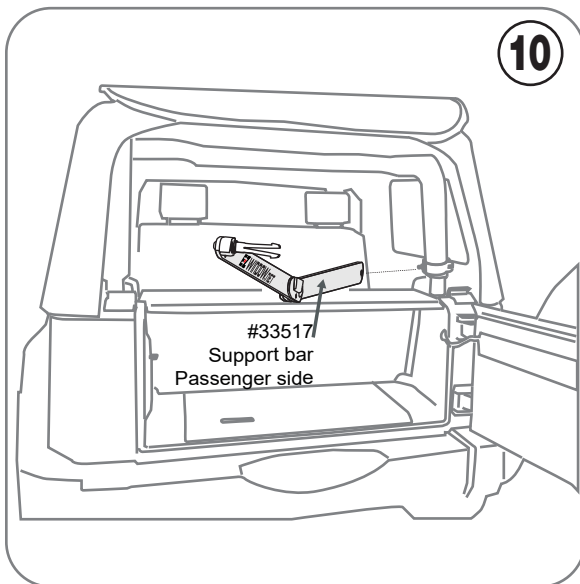
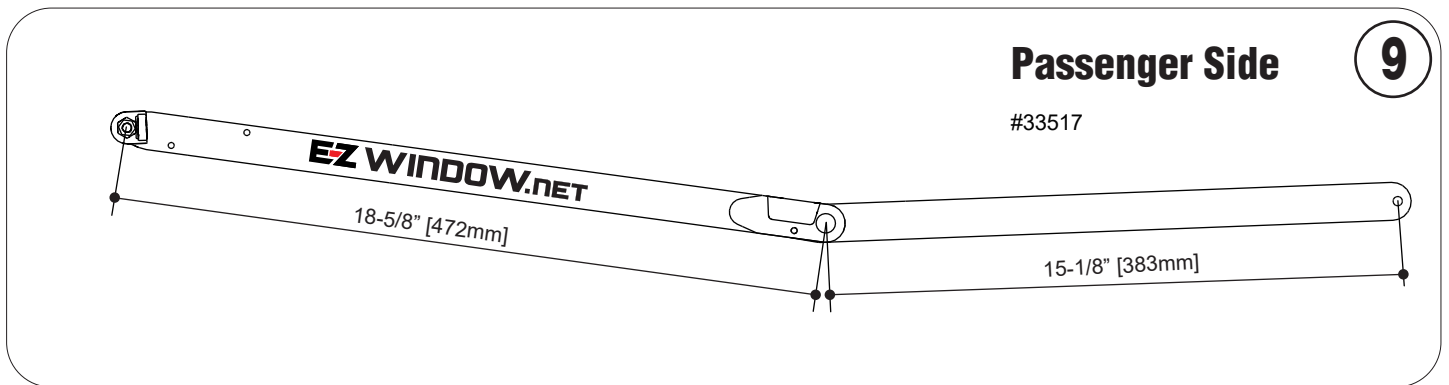
**Repeat steps 1~4 for passenger side**





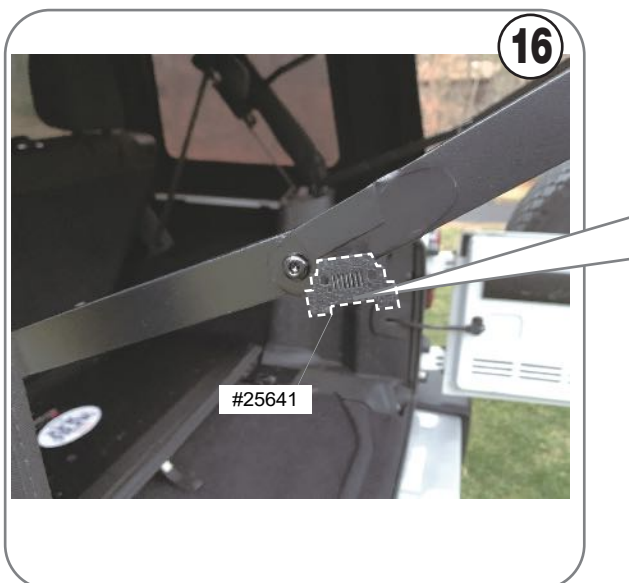


**Repeat steps 5-8 for the other side**





Repeat steps 10~12 for driver side





# FOLDING

17



Remove the bungee and pull the pin

18



To store the pin

19

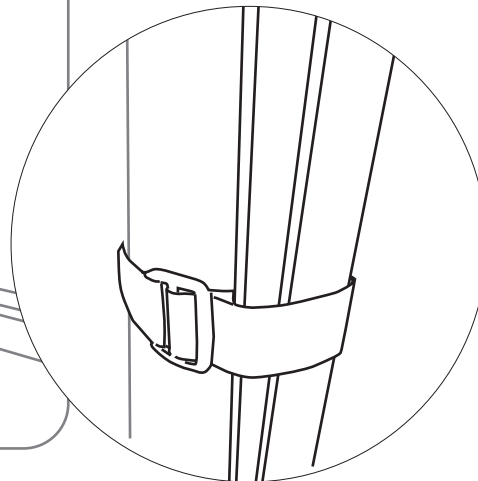
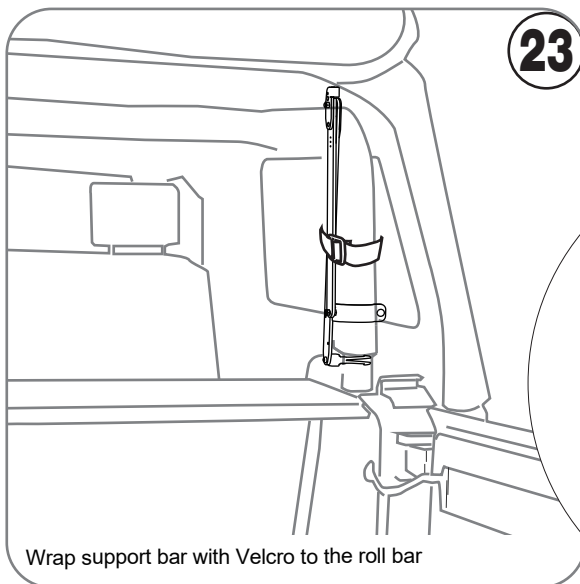
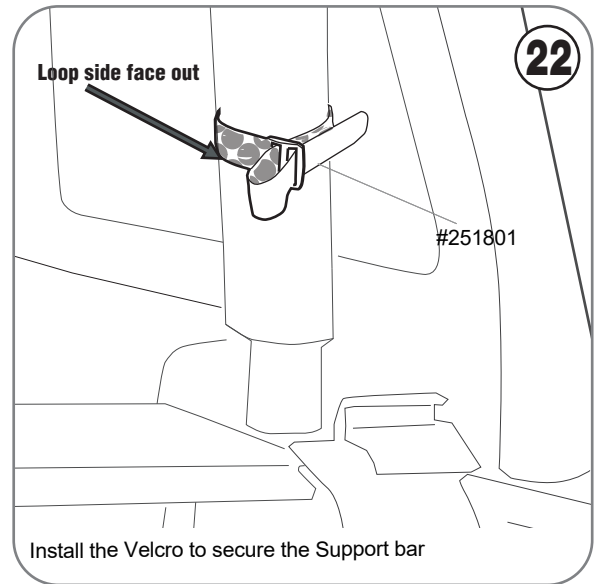


Bend the side bars up to fold the window down

20



# STORAGE



# Customer Service

*If you have a question or concern*

**Email: [service@neopmail.net](mailto:service@neopmail.net)**  
**or call 203-591-9060**

*Monday-Friday 8:30am-4:30pm EST*

PDF manual on [www.EZTRUNK.com](http://www.EZTRUNK.com)

**DO NOT RETURN TO THE STORE!**