



JLU EZ WINDOW.NET

4DOOR ASSEMBLY MANUAL

LOT#:



Customer Service

If you have a question or concern

Email: service@neopmail.net

or call 203-591-9060

Monday-Friday 8:30am - 4:30pm EST

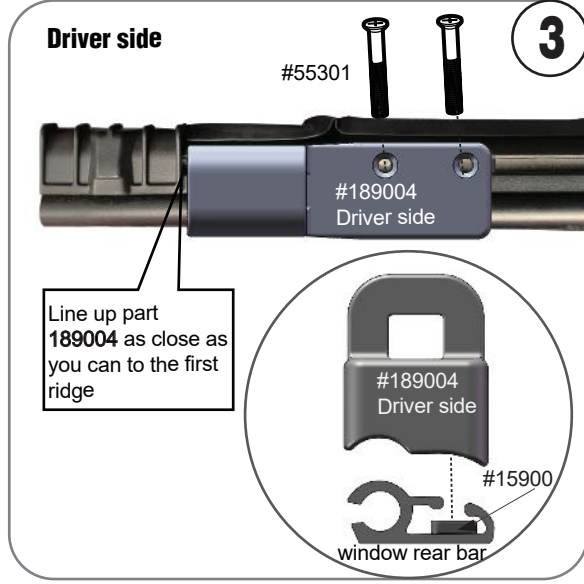
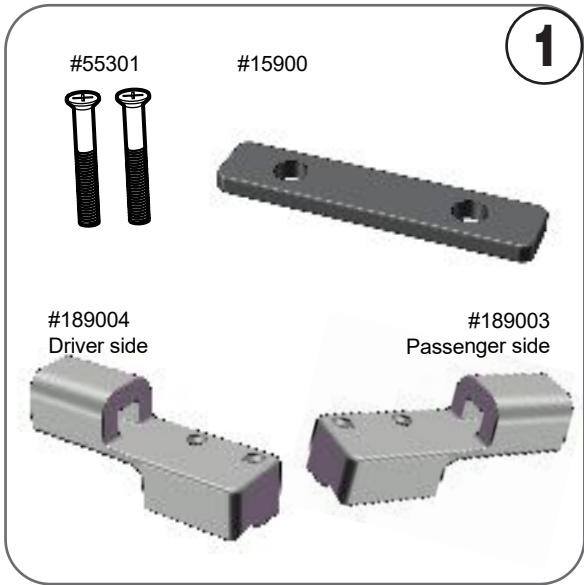
PDF manual on www.EZTRUNK.com

DO NOT RETURN TO THE STORE!

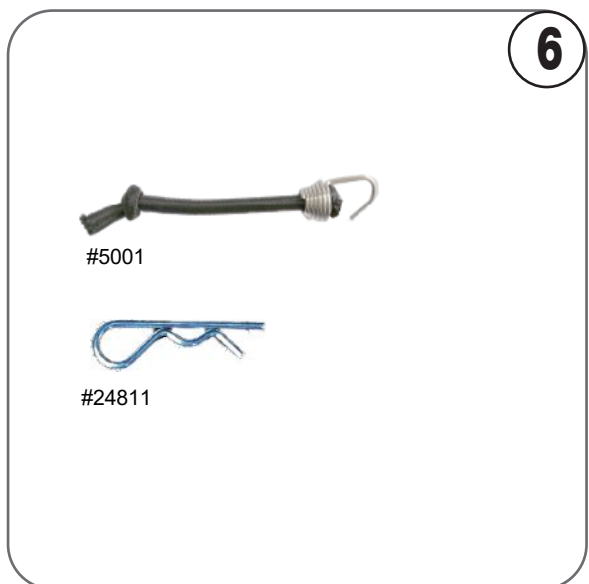
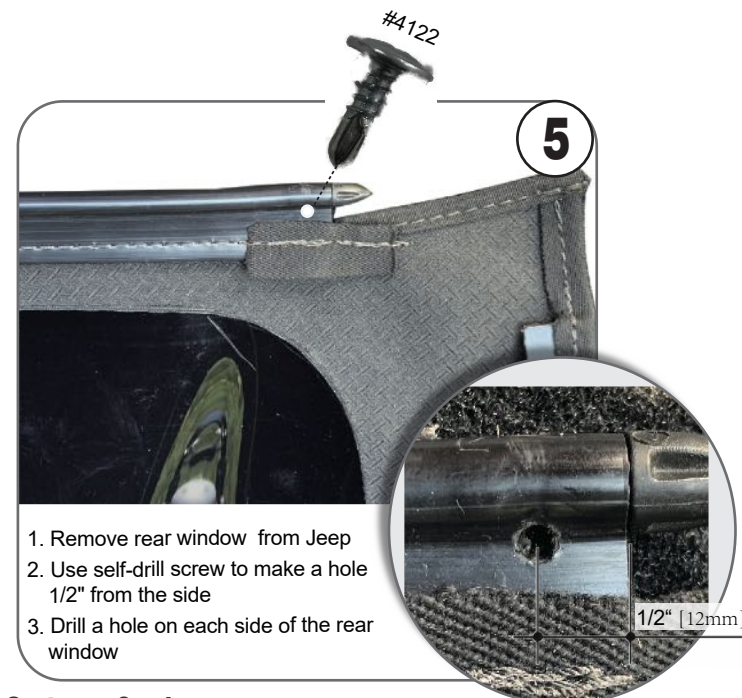
Please read instructions fully before beginning assembly

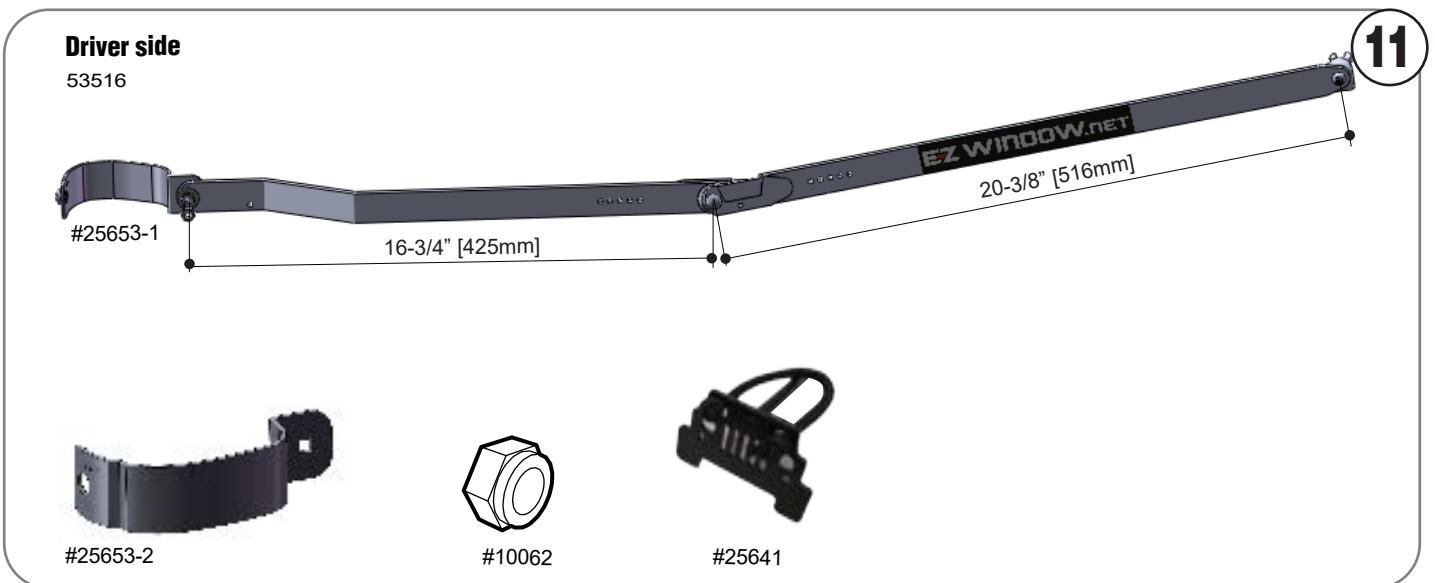
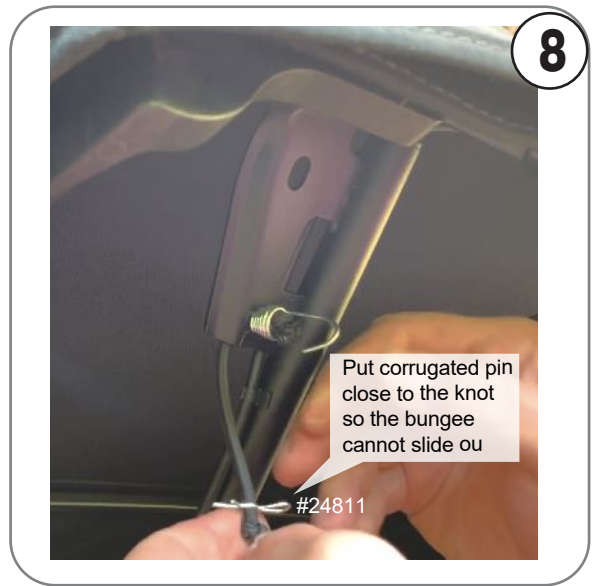
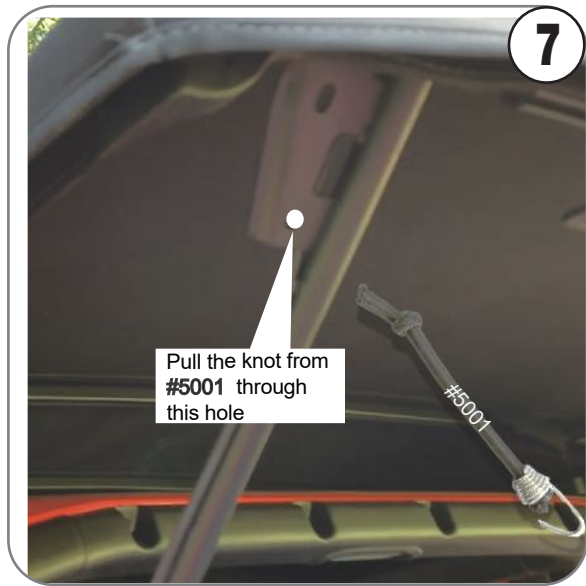
NO	Illustration	Description	Part #	QTY.
1		Clamp_H	25653-2B* 25653-2R*	2
2		Support bar_Driver	53516R*	1
3		Support bar_Passenger	53517B* 53517R*	1
4		Plastic holder_Driver	189004	1
5		Plastic holder_Passenger	189003	1
6		Metal plate	15900	2
7		Bolt M5x30	55301	4
8		Self-drill screw	4122	2
9		Lock Nut M6	10062	3**
10		Pin	25641	2
11		Velcro strip	251802	2
12		Round head screw	66041	3**
13		Wrench #10	#10	1
14		Corrugated Pin	24811	3**
15		Bungee with hook	5001	2

* Two different colors. B for black and R for red
 ** 1 extra piece



Repeat steps 1~4 for passenger side







12

Put a paper towel or cloth to cover the hole to avoid losing the screws



Driver side

13



14

Use the Screw #66041 to bolt #25653-2 to clamp #25653-1



15

1. Hand press clamp and tightening a lock nut to clamp.
2. Clamp high 2 inch.

Repeat step 13~15 for the other side



16

1. Install rear aluminium bar to soft windows.

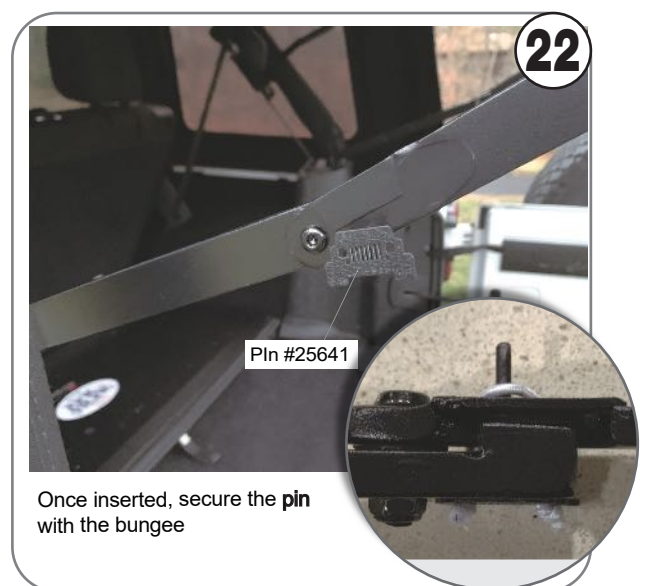


17

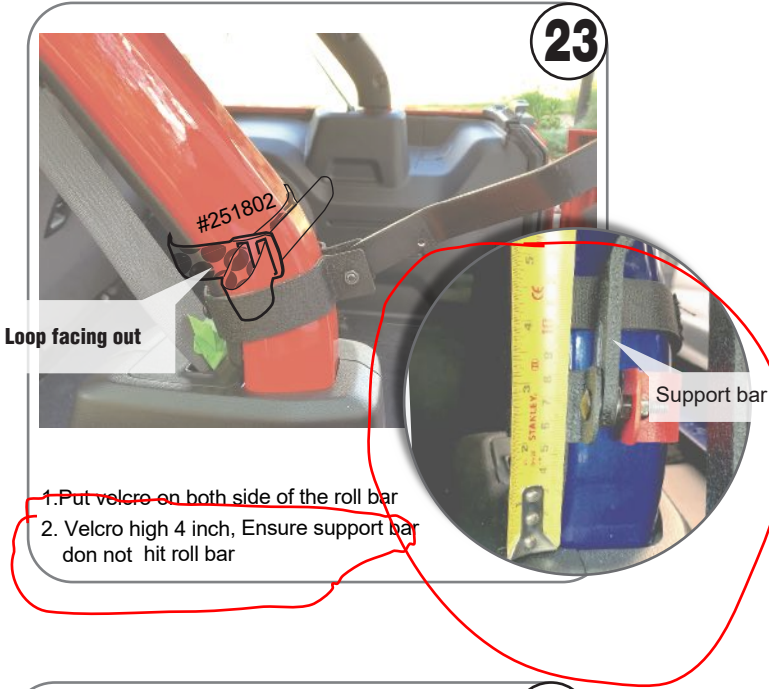
Use a wrench #10 to adjust the tension



How to use EZWINDOW



How to store your EZWINDOW



Customer Service

If you have a question or concern

Email: service@neopmail.net

or call 203-591-9060

Monday-Friday 8:30am-4:30pm EST

PDF manual on www.EZTRUNK.com

DO NOT RETURN TO THE STORE!