

# TAXA OUTDOORS

2019 Models



# THOUGHTFULLY DESIGNED

---

There's a reason behind every design decision we make. Each storage space, window, electrical outlet, and surface represents countless hours of thought and care so Taxa can meet all of your outdoor needs—even the ones you didn't know you have.





## QUALITY MANUFACTURING

---

Every Taxa product is made with proven, durable materials that last. And drawing on our NASA roots, we're proud to manufacture exclusively in our home city, Houston, Texas, and employ our neighbors in the community.



## WHY I STARTED TAXA

---

Thank you for your interest in Taxa Outdoors. We are the leading manufacturer of innovative, lightweight campers and trailers for wanderers seeking off-the-grid adventures.

I started Taxa for one simple reason: my kids and I wanted to go exploring, but we couldn't find a durable camper that fit our needs. After a decade of working on the International Space Station and consulting on lunar habitats for NASA, I designed Cricket, our first camper, and Taxa was born.

Our goal is to create products that encourage more people to get outside while still being safe and comfortable. We make high quality equipment that's built to last, and every inch is thoughtfully designed to maximize space and efficiency.

At Taxa, we're creating outdoor gear for the future.

The adventure starts here,

**Garrett Finney**

Founder and CEO, Taxa Outdoors

# TAXA MODELS

---



## Mantis

2019

As our biggest camper yet, Mantis takes adventure camping to a whole new level. Includes a two-burner stove, water heater, 20-gallon fresh water capacity, wet bath, and cassette toilet. With Mantis, there are no limitations to where your adventures could take you.



## Cricket

2019

With its NASA-inspired design, easy towability, and integrated plumbing and electric systems, Cricket is equipped with everything you need to get off the grid. Take the whole family camping—there's enough room for up to two adults and two children to sleep comfortably.



## Tiger Moth

2019

Lightweight and rugged, Tigermoth has sleeping room for two adults, plus two more with the roof-top tent. Perfect for sport fans hosting a weekend tailgate, and outdoor enthusiasts looking to go off the grid for up to 7 days at a time.



## Woolly Bear

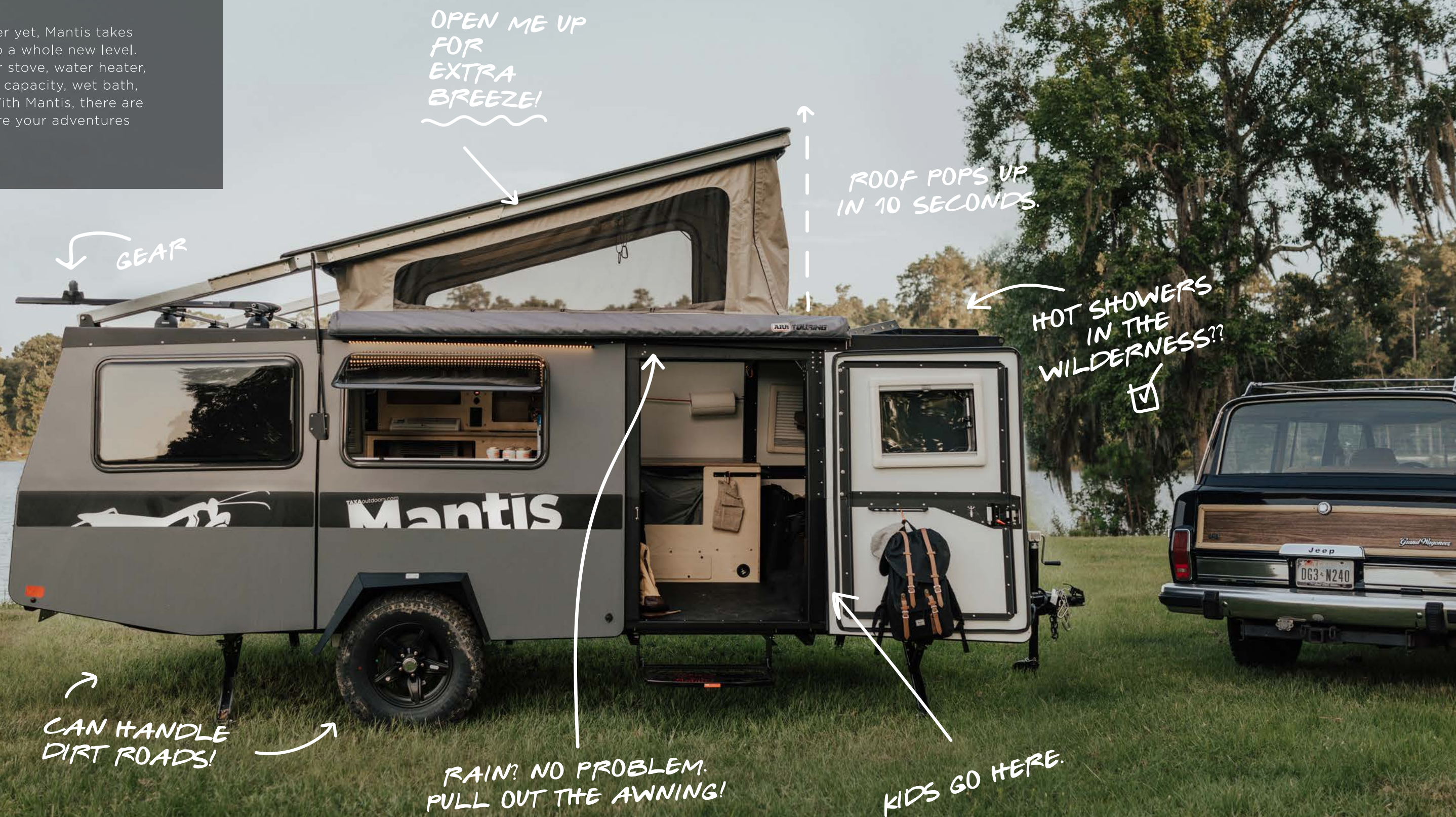
2019

More than just a gear hauler, Woolly Bear is the basecamp you've always dreamed of. Includes a full-size camping kitchen, smart storage for gear and food, and a pull-out drawer for coolers, and an elevated platform for most 2-3 person tents.

# Mantis

2019

As our biggest camper yet, Mantis takes adventure camping to a whole new level. Includes a two-burner stove, water heater, 20-gallon fresh water capacity, wet bath, and cassette toilet. With Mantis, there are no limitations to where your adventures could take you.







2990-3180LBS  
GROSS 3800LBS

POP-UP ROOF



← 19 FEET LONG →



GARAGE-ABLE

4 ADULTS



**Standard Features**

- 1" Plywood Deck w/ ABS Laminate
- Non-Slip Seamless Nickel Patterned Flooring
- Acrylic, Insulated Windows w/ Screens & Shades
- Kynar-Painted Aluminum Composite Panels
- Laser Cut, Powder Coated Steel Skeleton
- Powder-Coated Steel Chassis
- Pop-Up Roof
- 15" Steel Wheel w/ All-Terrain Tires (5yr manufacturer warranty)
- 2000lb Tongue Jack
- Powder-Coated Gravel Guards
- Quad Stabilizer Jacks
- Roof Tracks for Rack Options
- Torsion Axle Suspension w/ Electric Brakes
- Wireless Brake Controller
- 20gal Fresh & 22gal Grey Water Tanks
- 6000 BTU Air Conditioner(110V)
- Adjustable Roof Load Bars
- Large 8ft Patio Awning
- Mesh Screen Door Curtain
- Dometic® Combo 2-Burner Stove & Sink
- Truma® Combo Furnace & Water Heater System
- Exterior Shower w/ Hot and Cold Water
- Liquid Propane (2@20lb) Tanks w/ Cover
- Birch Plywood Kitchen w/ Modular Storage
- Dining/Study Counter
- Full Size Bed
- Folding Couch/Bunk Bed System
- Milk Crate Drawers
- LED Interior Lighting w/ Reading Light
- LED Exterior Light
- Solar Input Pre-Wired
- Underbed Storage
- 12V Accessory Outlets Inside & Out
- 12V Digital Voltmeter
- 12V USB Outlets

**Optional Features**

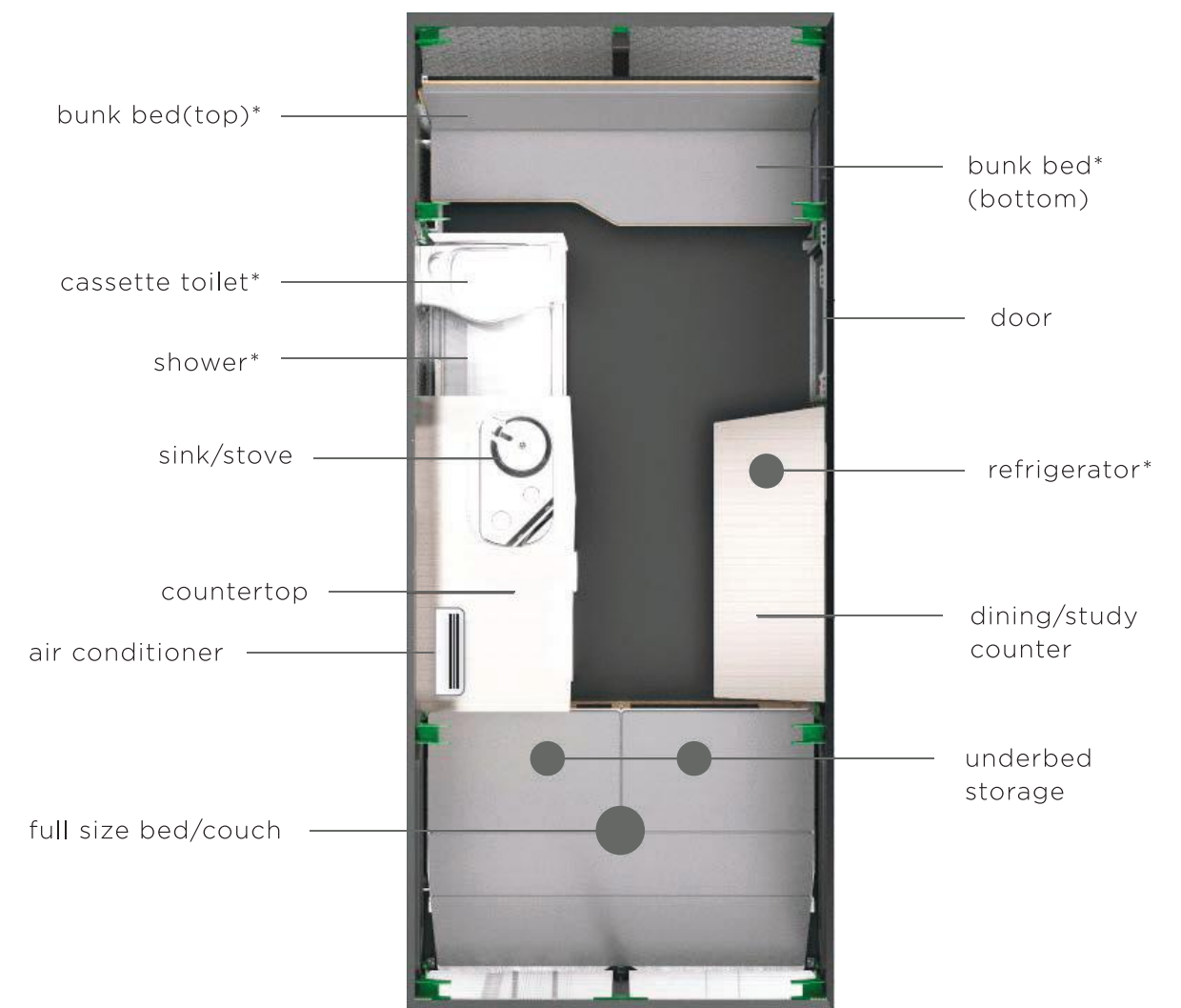
- Dometic® 12V, 78L Refrigerator / Freezer
- 15" Steel Spare Wheel & All-Terrain Tire
- Wet Bath w/ Cassette Toilet+Shower w/ Shower Curtain

**Specifications**

Exterior Length	19'
Exterior Width	7' 6"
Exterior Height(closed)	6' 10"
Exterior Height(open)	10'
Interior Width	6' 10"
Interior Height(closed)	4' 7"
Interior Height(open)	5' 11" to 7' 10"
Bed Dimensions	75"x54"
Bunk Bed(top)	75"x22"
Bunk Bed(bottom)	75"x24"
Fresh Water Tank	20 gal
Grey Water Tank	22 gal
Tires	235/75R15
Ground Clearance	12"
Tongue Height	20"
Tongue Weight	480 lbs
Dry Weight	3,020 lbs
GVWR	3,800 lbs
GAWR	4,000 lbs
Cargo Capacity	780 lbs

**Options Price List**

Options	MSRP
	\$44,333.00
15" Spare Tire	\$581.00
Dometic®Refrigerator	\$1,498.00
Shower+Toilet	\$2,485.00
Bunk Bed System Removal	



\*plan view shows standard and optional features

# Cricket

2019

With its NASA-inspired design, easy towability, and integrated plumbing and electric systems, Cricket is equipped with everything you need to get off the grid. Take the whole family camping—there's enough room for up to two adults and two children to sleep comfortably.



STORE THOSE BIKES  
INSIDE OR OUT.

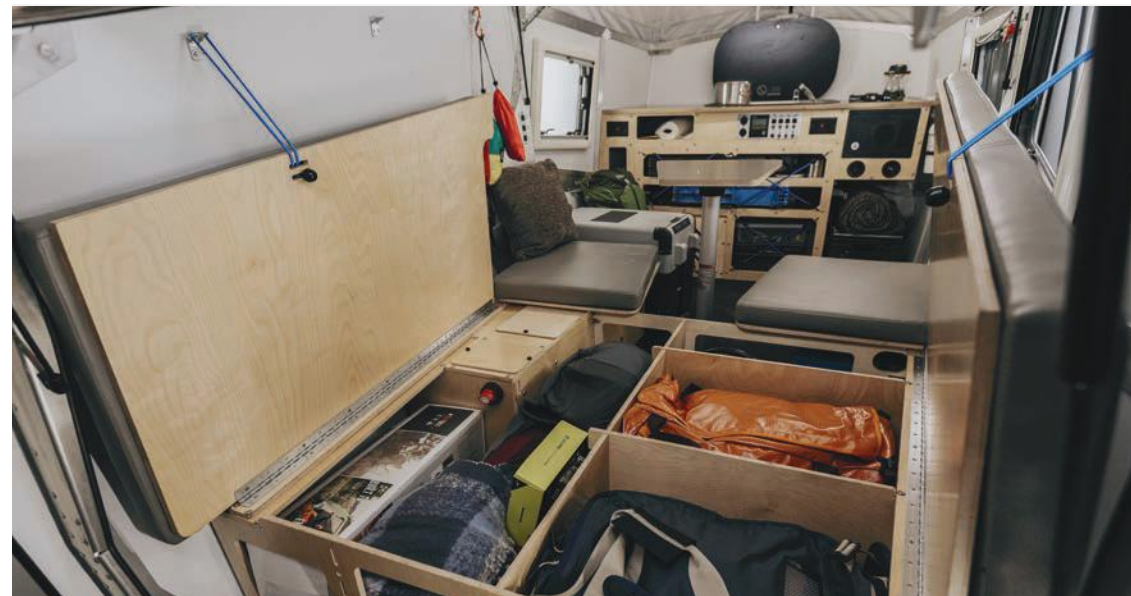
MAXIMUM  
VENTILATION!

BRIDGES & PLANES  
USE RIVETS,  
SO DO WE.

SMELL THAT  
CLEAN AIR!  
ZERO FORMALDEHYDE  
INSIDE.

BENCH, STEP OR BUMPER?  
YOU DECIDE!

AUTOWRAKE  
BRAKE CONTROLLER



# Cricket

2019

1590-2500LBS  
GROSS 2500LBS

POP-UP ROOF



← 15 FEET LONG →



GARAGE-ABLE\*

2 ADULTS +  
2 KIDS

\*Check yours

## Standard Features

- 1" Plywood Deck w/ ABS Laminate
- Non-Slip Seamless Nickel Patterned Flooring
- Acrylic, Insulated Windows w/ Screens & Shades
- Kynar-Painted Aluminum Composite Panels
- Laser Cut Aluminum Skeleton
- Powder-Coated Steel Chassis
- Pop-Up Roof
- 15" Steel Wheel w/ All-Terrain Tires (5yr manufacturer warranty)
- 2000lb Tongue Jack
- Powder-Coated Gravel Guards
- Quad Stabilizer Jacks
- Roof Tracks for Rack Options
- Torsion Axle Suspension w/ Electric Brakes
- Wireless Brake Controller
- 15gal Fresh & 16gal Grey Water Tanks
- Dometic® Combo 2-Burner Stove & Sink
- Truma® Combo Furnace & Water Heater System
- Exterior Shower w/ Hot and Cold Water
- Liquid Propane (2@20lb) Tanks w/ Cover
- Birch Plywood Kitchen w/ Modular Storage
- Facing Seats & Cafe Table
- Full Size Bed
- Underbed Storage
- LED Interior Lighting w/ Reading Light
- LED Exterior Light
- Solar Input Pre-Wired
- 12V Roof Exhaust Fan
- 12V Accessory Outlets Inside & Out
- 12V Digital Voltmeter
- 12V USB Outlets

## Optional Features

- Dometic® 12V Refrigerator / Freezer
- 15" Steel Spare Wheel & All-Terrain Tire
- 5000 BTU Driver-Side Window AC

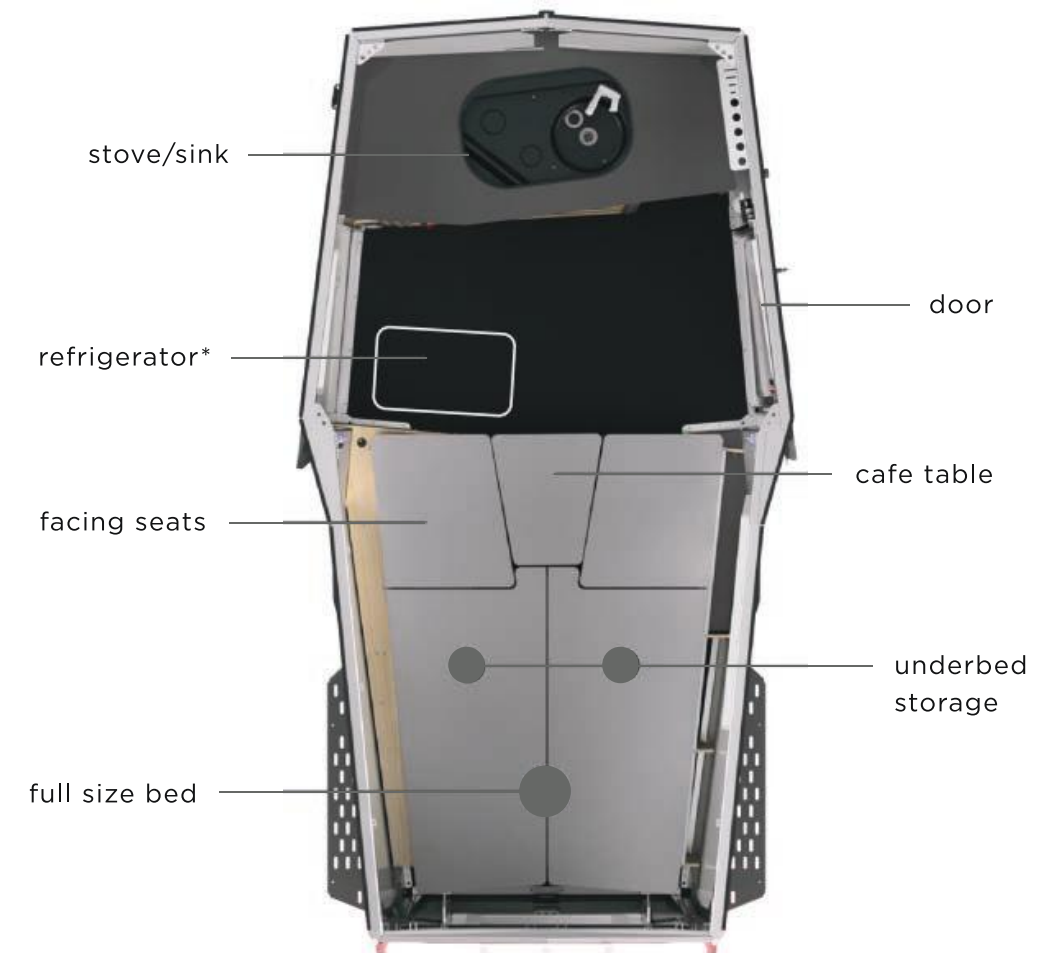
- Adjustable Roof Load Bars
- Hanging Kid's Berth(s) (130lb max capacity)
- Mesh Screen Door for Side
- Portable Shower Tent
- Portable Toilet
- Ripstop Nylon Custom Patio Awning

## Specifications

Exterior Length	15'
Exterior Width	6'7"
Exterior Height(closed)	6'11"
Exterior Height(open)	9'2"
Interior Width	5'3"(max)
Interior Height(closed)	4'2"
Interior Height(open)	4'2" to 6'10"
Bed Dimensions	75"x59"(max width)
Kids Berth(s)	60"x22"(130lb)
Fresh Water Tank	15 gal
Grey Water Tank	16 gal
Tires	235/75R15
Ground Clearance	14"
Tongue Height	20"
Tongue Weight	240 lbs
Dry Weight	1,590 lbs
GVWR	2,500 lbs
GAWR	2,500 lbs
Cargo Capacity	910 lbs

## Options Price List

Options	MSRP
Portable Toilet	\$33,317.00
THULE® Load Bars	\$248. <sup>33</sup>
Kid's Berth (one)	\$415.00
15" Spare Tire	\$415.00
Kid's Berth (two)	\$581. <sup>67</sup>
5000 BTU Window AC	\$665.00
Soft Good Package	\$831. <sup>67</sup>
Dometic®Refrigerator	\$998. <sup>33</sup>
	\$1,358. <sup>33</sup>



\*plan view shows standard and optional features

# Tiger Moth

2019

Lightweight and rugged, Tigermoth has sleeping room for two adults, plus two more with the roof-top tent. Perfect for outdoor enthusiasts looking to go off the grid for up to 7 days at a time.

VERSATILE STORAGE DECKS

THE ULTIMATE BUG OUT MACHINE.

PULL OUT KITCHEN!  
PERFECT FOR TAILGATING!

FENDERS & STEPS  
TO ACTUALLY  
STEP ON.

PORCH MODE



1485-2000LBS  
GROSS 2000LBS

PULL-OUT  
KITCHEN



← 12 FEET 5 LONG →

↵  
2 ADULTS

GARAGE-ABLE



**Standard Features**

- 3/4" Plywood Deck w/ ABS Laminate
- Acrylic, Insulated Windows w/ Screens & Shades
- Kynar-Painted Aluminum Composite Panels
- Laser Cut, Powder Coated Steel Skeleton
- Powder-Coated Steel Chassis

- 15" Steel Wheel w/ All-Terrain Tires (5yr manufacturer warranty)
- 2000lb Tongue Jack
- 200lb Weight Capacity Cargo Deck
- Front Cargo Step
- Powder-Coated Gravel Guards
- Stabilizer Jacks
- Roof Tracks for Rack Options
- Torsion Axle Suspension w/ Electric Brakes
- Wireless Brake Controller

- Birch Plywood Cabinetry
- Full Size Bed & Couch
- Underbed Storage
- LED Interior Lighting w/ Reading Light
- LED Exterior Light
- Solar Input Pre-Wired
- NATO Can
- 4ft Exterior Drawer w/ Locking Slides
- 12V Roof Exhaust Fan
- 12V Accessory Outlets Inside & Out
- 12V Digital Voltmeter
- 12V USB Outlets

**Optional Features**

- 15" Steel Spare Wheel & All-Terrain Tire
- 2-Person Roof Top Tent (RTT)
- 5000 BTU Driver-Side Window AC
- Adjustable Roof Load Bars
- Large 6ft Rear Awning w/ Mosquito Netting
- Marine-Grade Birch Plywood Camp Kitchen

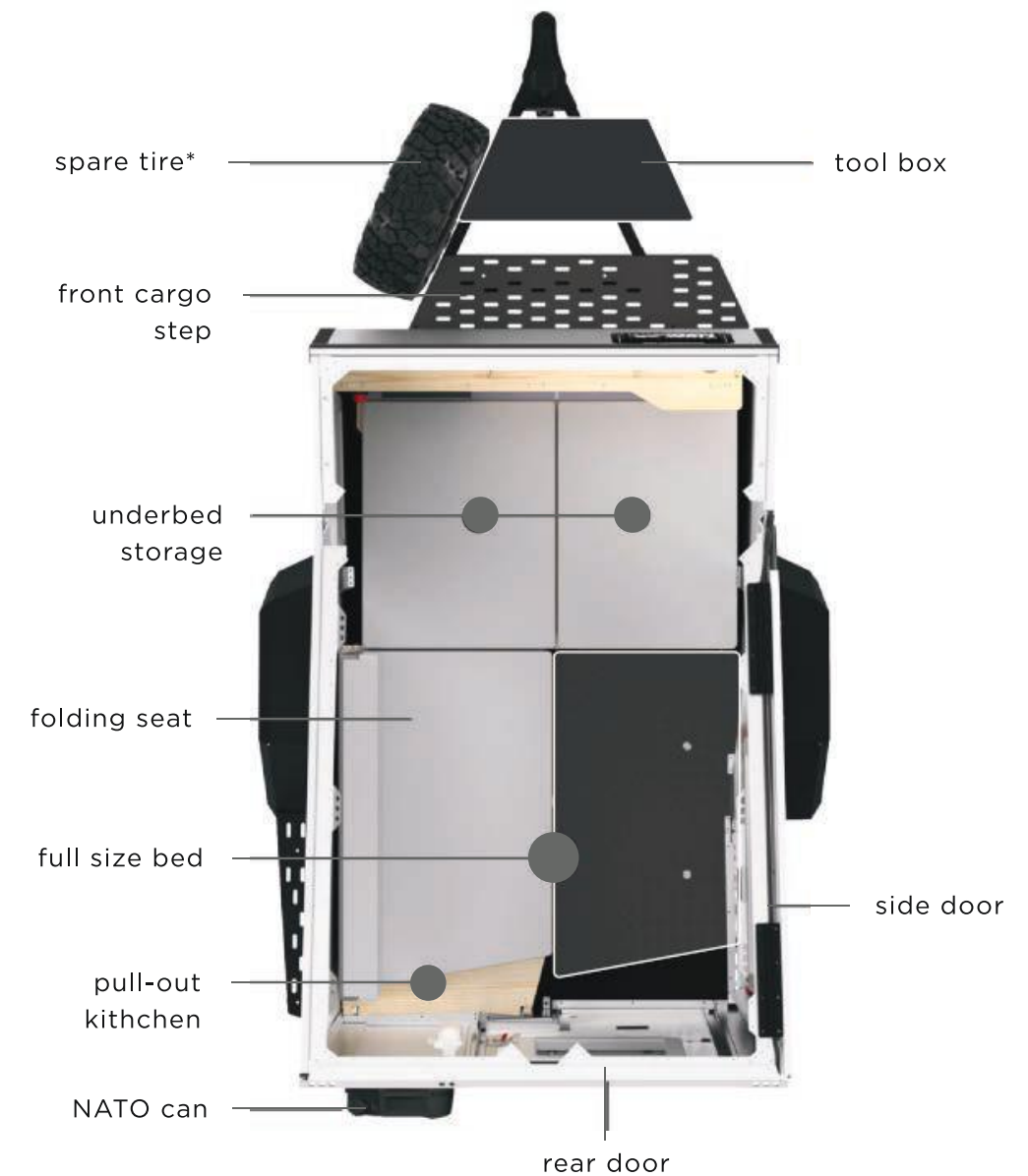
- Mesh Screen Door for Side & Rear
- Portable 2-Burner Stove
- Tongue Tool Box

**Specifications**

Exterior Length	12' 5"
Exterior Width	6'7"
Exterior Height	6'10"
Interior Width	4'7"
Interior Height	4'7" to 3'9"
Bed Dimensions	80"x54"
Fresh Water Tank	5 gal
Tires	235/75R15
Ground Clearance	15"
Tongue Height	20"
Tongue Weight	110 lbs
Dry Weight	1,485 lbs
GVWR	2,000 lbs
GAWR	2,200 lbs
Cargo Capacity	515 lbs

**Options Price List**

Options	MSRP
	\$16,972.00
Gravel Guard	\$331.67
THULE® Load Bars	\$415.00
Tongue Tool box	\$581.67
15" Spare Tire	\$581.67
5000 BTU Window AC	\$831.67
Camp Kitchen	\$1,248.33
Soft Good Package	\$1,248.33
Roof Top Tent	\$1,665.00



\*plan view shows standard and optional features

# Woolly Bear

2019

More than just a gear hauler, Woolly Bear is the basecamp you've always dreamed of. Includes a full-size camping kitchen, smart storage for gear and food, and a pull-out drawer for coolers, and an elevated platform for most 2-3 person tents.

"NO SNAKES!"  
TENT ON TOP

TONS  
OF  
STORAGE

BUILT FOR  
OFF GRID  
USE!

MADE FOR COOKING



Woolly Bear  
2019



TEPU  
ROOF-TOP TENT

2 ADULTS



← 10 FEET 7 LONG →



GARAGE-ABLE

990-1700LBS  
GROSS 1700LBS



2019

### Standard Features

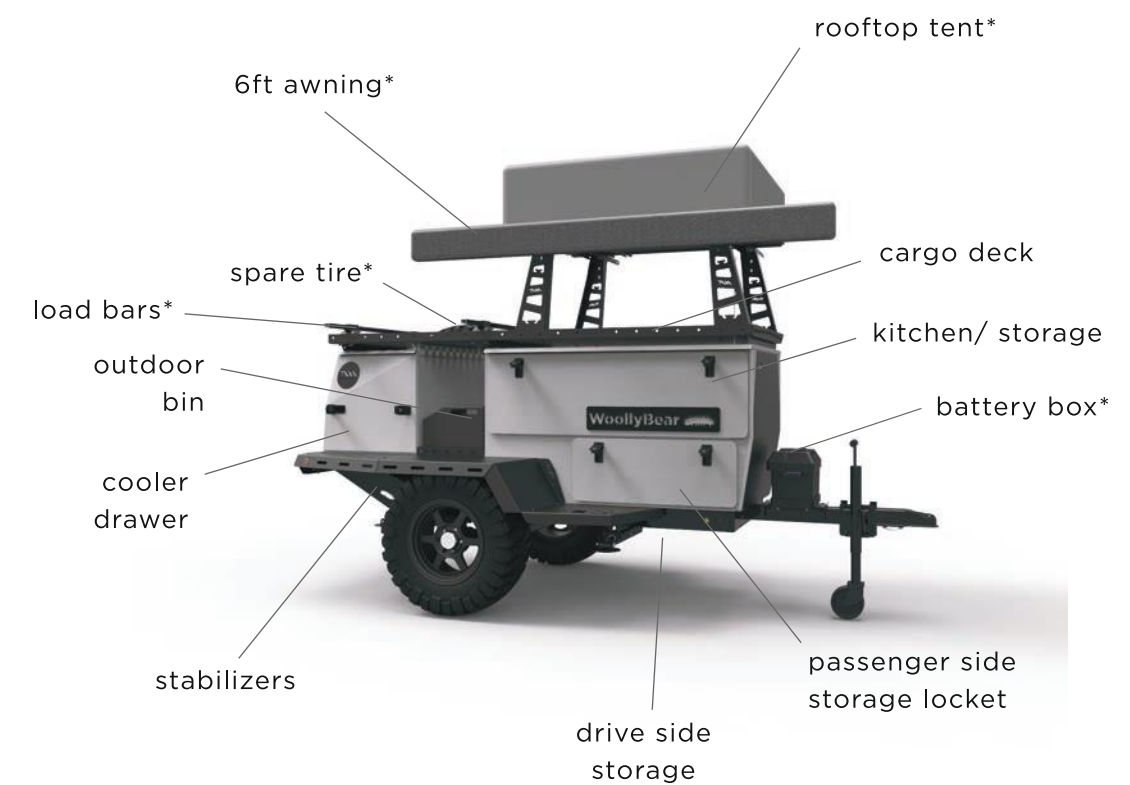
- Laser Cut Steel Cargo Decks
- Powder-Coated Steel Cabinets
- Powder-Coated Steel Chassis
- 15" Steel Wheel w/ All-Terrain Tires<sup>1</sup>  
<sup>1</sup>(5yr manufacturer warranty)
- 800lb Swing-Away Front Jack
- 600lb Weight Capacity Cargo Deck
- Powder-Coated Gravel Guards
- Quad Stabilizer Jacks
- Torsion Axle Suspension
- Birch Plywood Kitchen Organizer
- Open Stowage Sized for NATO Cans<sup>1</sup>
- Powder-Coated Lockable Storage Drawer (sized for 45 qt. cooler)
- Powder-Coated Lockable Storage Lockers (on driver & passenger side)
- Stainless-Steel Countertop
- LED Underbody Light
- LED Cargo Area Lights
- LED Kitchen Lights
- 12V Accessory Outlets
- 12V Digital Voltmeter
- 12V USB Outlets

### Optional Features

- 15" Steel Spare Wheel & All-Terrain Tire
- 2-Person Roof Top Tent(RTT) w/ Risers & 6ft Awning
- Accessory Rear Hitch
- Adjustable Load Bars
- Battery Box
- NATO Can(s)
- Portable 2-Burner Stove

### Specifications

Exterior Length	10' 7"
Exterior Width	5'3"
Exterior Height	4'9" (7'6" w/ risers & tent)
Interior Width	N/A
Tires	235/75R15
Ground Clearance	13"
Tongue Height	18"
Tongue Weight	140 lbs
Dry Weight	990 lbs
GVWR	1,700 lbs
GAWR	1,700 lbs
Cargo Capacity	710 lbs



\*plan view shows standard and optional features



Get started today:  
**(713) 861-2540**  
**TAXA**outdoors.com