

SPECIFICATIONS

STEM	2" OAK
FRAMES	7/8" "
TRANSOM	1/2" WHITE PINE
CLAMP	1" x 3/4" SPRUCE
BOTTOM	7/8" WHITE PINE
PLANKING	5/8" "
BOTTOM CLEATS	1/8" x 2" "
SKEG	1" OAK
RUDDER POST	1" "
CENTER BOARD BOX	7/8" WHITE PINE
CENTER BOARD POSTS	5/8" OAK
RIBS	1/2" x 1" "
MAST STEP	2" "
DECK BEAMS	7/8" "
BREAST HOOK	1/2" WHITE PINE
WASH RAIL SWEEP	1/2" "
CHAIN BLOCKS	7/8" OAK
MAST BLOCK	1/2" WHITE PINE
CLEAT BLOCK	7/8" OAK
DECKING	5/8" WHITE PINE
WASH RAIL	1/2" OAK
BUTT BLOCKS	1" "
FALSE STEM	1/2" "
RUBBING STRIP	1/2" x 1 3/8" "
MONKEY RAIL	1" x 1/4" "
FLOOR GRATING	5/8" WHITE PINE
SEATS	7/8" x 2 3/4" "
RUDDER	7/8" MAHOGANY
TILLER	1/2" x 1/8" OAK
MAST	2 1/4" x 3" SITKA SPRUCE
BOOM	1 5/8" x 2" "

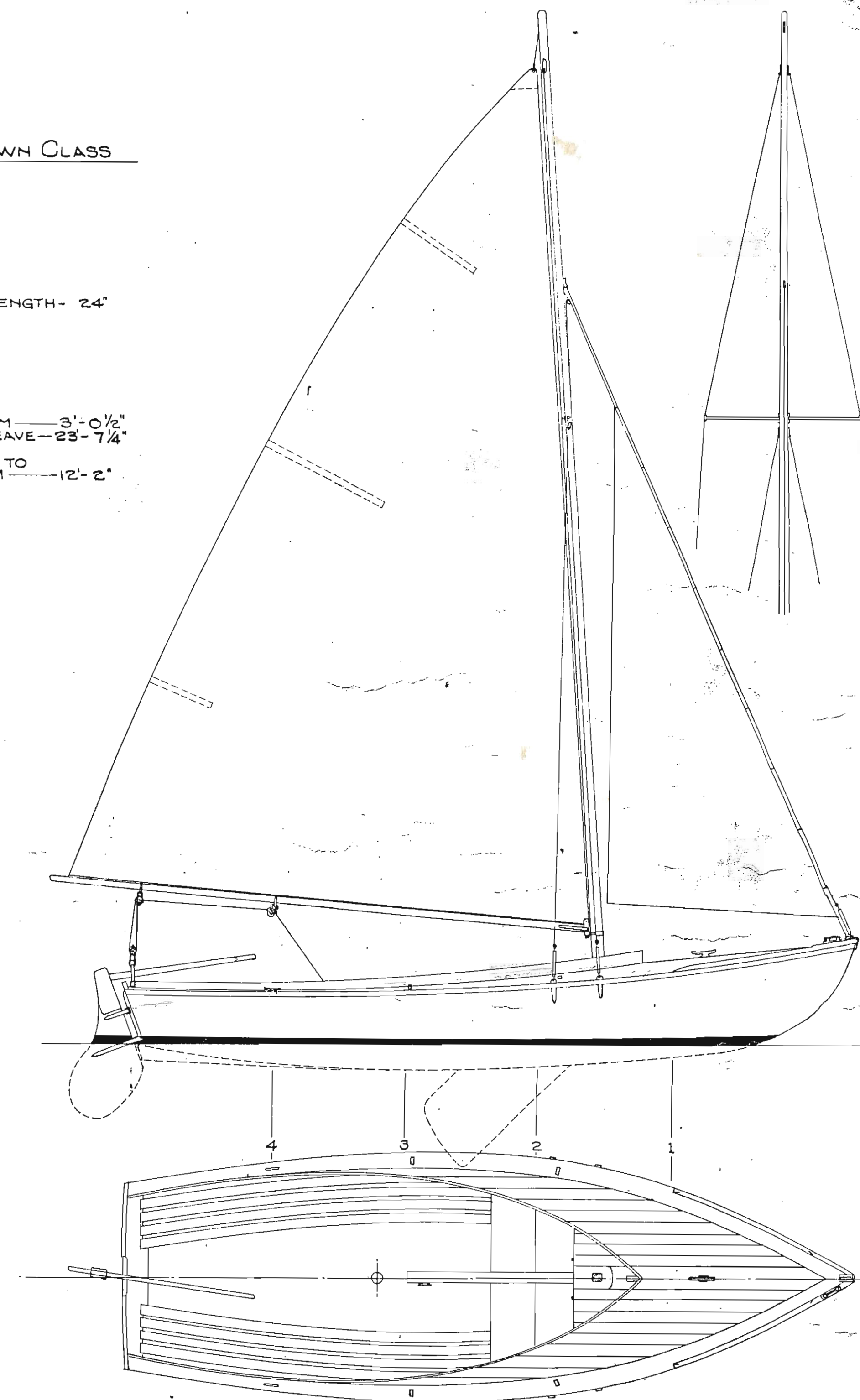
FASTENINGS - CHISEL POINT BOAT NAILS
 65-35 COMP.
 SCREWS - BRASS & GALVANIZED.
 DECK - CANVAS COVERED OR NATURAL
 CENTERBOARD - 3/16" GALVANIZED IRON
 STANDING RIGGING - BRONZE - SOCKETED
 TO FIT TANGS & TURNBUCKLES.
 RUNNING RIGGING - PURE MANILLA.

HARDWARE

ALL HARDWARE MERRIMAN BROS. - BRONZE			
NAME	NO. REQ'D.	MERRIMAN FIG.	
STEM PLATE	1	500	
CHOCK	1	520	
CLEAT	1	514	
CHAIN PLATE	4	501	
TURNBUCKLE	5	510	
FAIRLEAD	4	515	
FAIRLEAD	2	505	
CLEAT	3	514	
JAMB CLEAT	3	400A	
SWIVEL SHATCH	1	519	
CENTER BOARD SHEAVE	1	504	
RUDDER TRACK	1	506	
RUDDER HANGER (UPPER)	1	506	
RUDDER HANGER (LOWER)	1	506	
TRAVELER	1	507	
TRAVELER BLOCK	1	507	
MAIN SHEET BLOCK (AFT)	1	509	
MAIN SHEET BLOCK (FWD)	1	518	
GOOSENECK	1	503	
BOOM TRACK	1	503	
MAST TRACK	1	503	
SHROUD TANG	5	507	
SPREADER FOOT	2	511	
SPREADER - 20"	2	511	
HALYARD SHEAVE	1	504	
JIB HALYARD BLOCK	1	512	
BOOM TRAVELER	1	508	
SNAP HOOK	2	513	
CHEEK BLOCK	1	513	

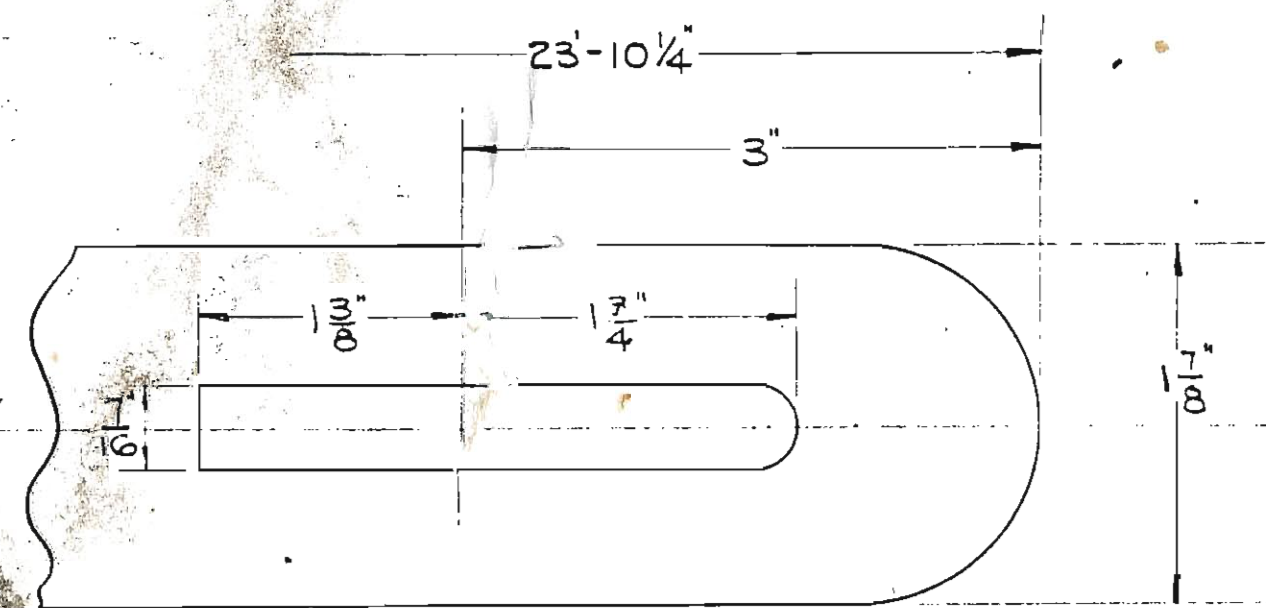
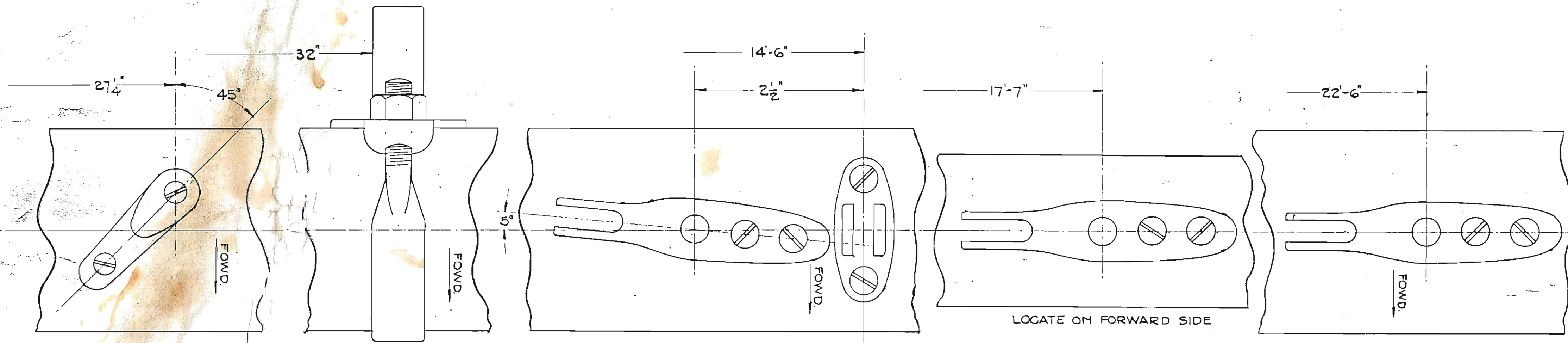
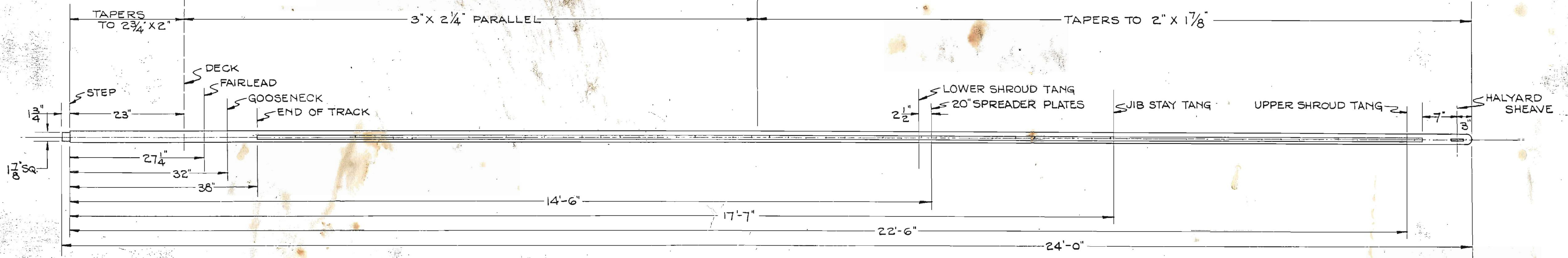
16 1/2 FT. LOWELL TOWN CLASS

LENGTH	16'-6"
BEAM	5'-9 1/2"
DRAFT	0'-7"
SAILS -	
MAINSAIL -	
LEACH	21'-3"
LUFF	19'-8"
FOOT	11'-8"
REACH	1'-0"
BATTENS - 3 - MAX. LENGTH - 24"	
JIB -	
LEACH	11'-4"
LUFF	12'-8"
FOOT	5'-2"
BATTENS	NONE
SPARS -	
MAST -	
LENGTH	24'-0"
SHOULDER TO ϕ BOOM	3'-0 1/2"
SHOULDER TO ϕ SHEAVE	23'-7 1/4"
BOOM -	
LENGTH - ϕ TACK PIN TO	
END OF BOOM	12'-2"



OUTBOARD PROFILE
 SCALE 1/2" = 1'-0"
 16 1/2 FT. LOWELL TOWN CLASS
 RICHARD H. SWEET
 P. O. BOX 772
 ATTLEBORO, MA. 02703
 M.C. LOWELL & SON.
 AMESBURY, MASS.

R.W. Frost
 27 JAN 36



RICHARD H. SWEET
 P. O. BOX 772
 ATTLEBORO, MA. 02703

MAST DETAILS
 SCALE 1"=1'-0" & 1'-0"=1'-0"
 16 1/2 FT. LOWELL TOWN CLASS
 M.C. LOWELL & SON.
 AMESBURY, MASS.

R.W. Frost
27JUN-35