

# Kleiss MCS15-1824 System

## Kleiss Gastool®

### Stainless Steel Saddle Fitting Specifications

#### PART NUMBERS / FITTING DETAILS

Part Number	Nominal CI Pipe Diameter	Pipe Range	T-Pipe Flanged Outlet	Length (L)
90001031	18"	19.48" - 20.28"	6" 150#	27.56"
90001032	20"	21.65" - 22.44"	6" 150#	27.56"
90001034	20"	21.26" - 22.04"	6" 150#	27.56"
90001039	24"	25.39" - 25.98"	6" 150#	27.56"
90001033	24"	25.99" - 26.77"	6" 150#	27.56"

*\* Additional sizes available \**

**Bolt Connections:** According to ISO4017A2 / DIN933A2 / DIN6334A2 / DIN6334A2

**Bolt Torque Specification:** 89 lb-ft

**T-Pipe Outlet:** According to ANSI 16.5

**Fitting Material:** AISI / ASTM 304 / 1.4301

**Sealing Ring:** NGW-70 EN 682 type GBL

**Added Rubber Material (Isolation):**  
Neoprene DIN 53504 / DIN 53507

**Temperature Range:** -40° F to 230° F

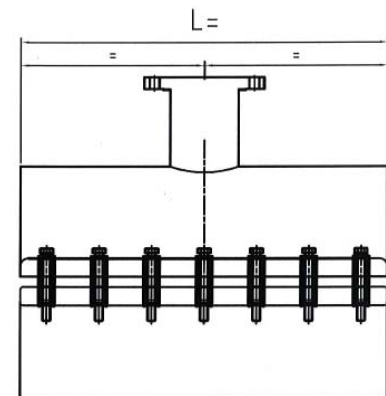
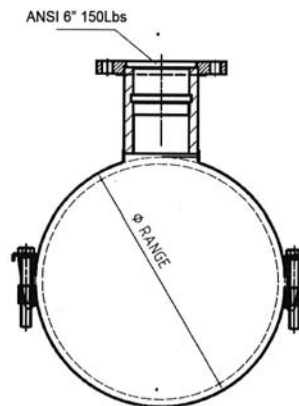
**Locking Plug:** AISI / ASTM 304 with  
NBR sealing ring and thread ISO 2904

**Blind Flange:** Stainless steel

**Bolts and Nuts:** Stainless steel, 5/8" x 4", 5/8" hex

**Tested Pressure:** 30 psi

**Maximum Allowable Operating Pressure:** 20 psi



Distributed by: