



Ret-ro·fit

[ret-roh-fit]

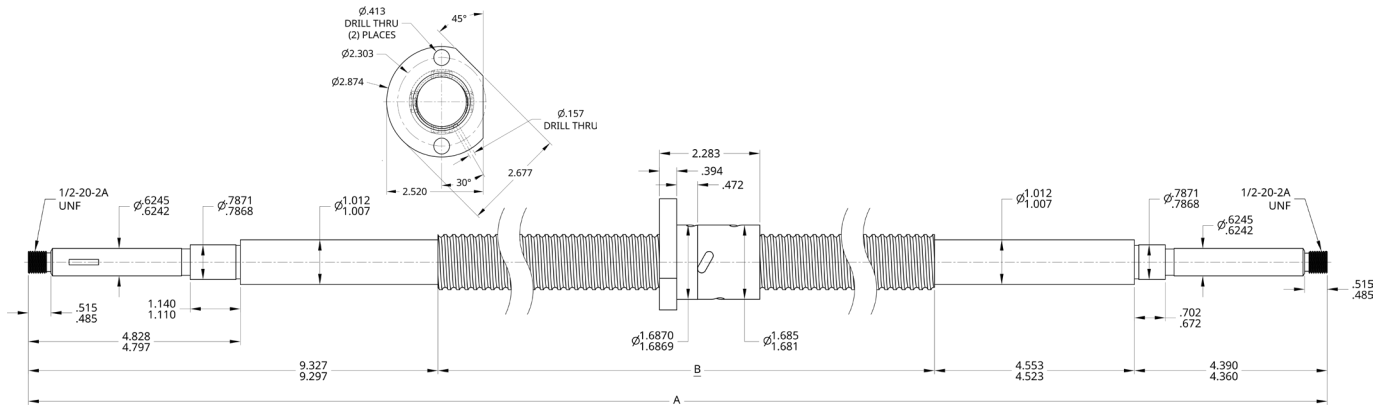
To modify equipment, such as a machine tool, that is already in service with new parts engineered to improve the machine's performance.

Precision Ball Screw Assemblies for Bridgeport Mills

- High precision assemblies with **Lead Accuracy of .0005 in./ft**
- Longer life and higher capacity due to **True Gothic Arch Ball Form**
- Robust and reliable **Hardened Steel Internal Ball Returns**
- Industry leading **3 Year Warranty**

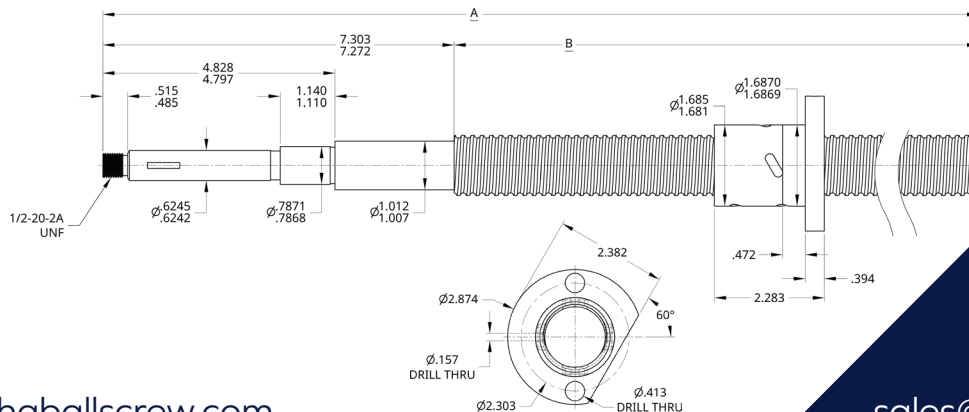
X-Axis

Table Size	Dimension A	Dimension B	Ball Circle Diameter	Lead	Hand of Thread	Part Number
32 Inch	42 inch	23.775 inch	32 mm	5 mm	RH	BPT3205-32X
36 Inch	46 inch	27.775 inch	32 mm	5 mm	RH	BPT3205-36X
42 Inch	52 inch	33.775 inch	32 mm	5 mm	RH	BPT3205-42X
48 Inch	58 inch	39.775 inch	32 mm	5 mm	RH	BPT3205-48X



Y-Axis

Table Size	Dimension A	Dimension B	Ball Circle Diameter	Lead	Hand of Thread	Part Number
9 inch	21 inch	13.770 inch	32 mm	5 mm	LH	BPT3205-9Y
12 inch	24 inch	16.770 inch	32 mm	5 mm	LH	BPT3205-12Y
16 inch	27 inch	20.770 inch	32 mm	5 mm	LH	BPT3205-16Y



Engineered
to Last