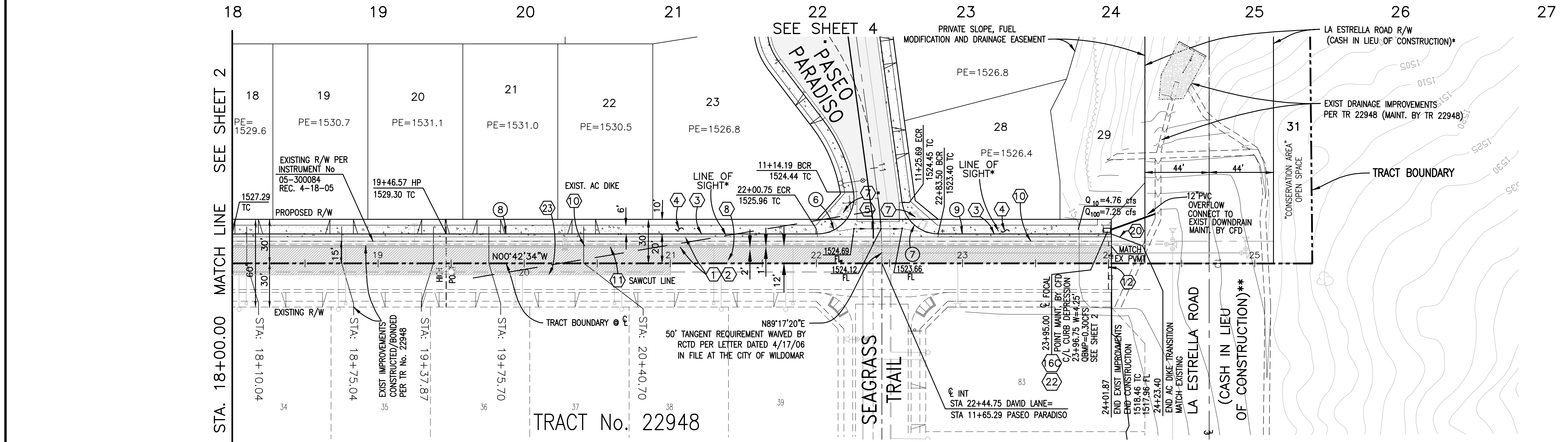


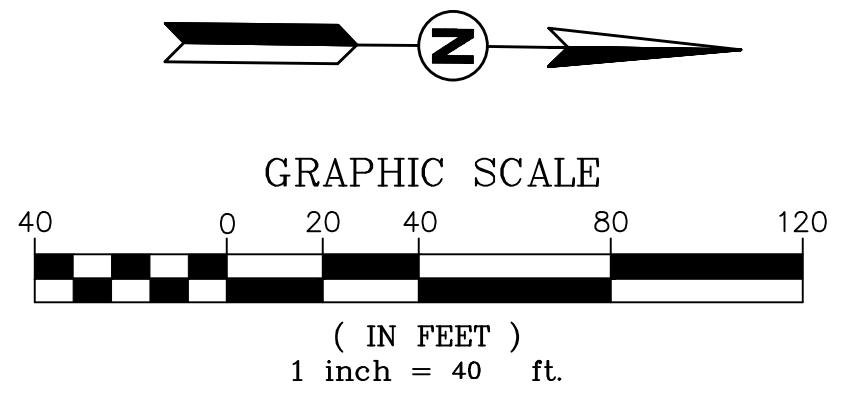
PROFILE
SCALE: 1" = 40' HORIZ
1" = 8' VERT



CONSTRUCTION NOTES

- ① CONSTRUCT STREET IN ACCORDANCE WITH RCTD STD. NO. 106 (32'/50') TI = 5.5
- ② CONSTRUCT 0.25' A.C. OVER 0.50' CLASS II AGGREGATE BASE
- ③ CONSTRUCT 6" TYPE "A-6" CURB & GUTTER PER RCTD STD. NO. 200.
- ④ CONSTRUCT 6" SIDEWALK PER RCTD STD(S). NO. 400 & 401.
- ⑤ CONSTRUCT SPANDREL AND X-GUTTER PER RCTD STD. NO. 209.
- ⑦ CONSTRUCT HANDICAPPED ACCESS RAMP PER RCTD STD. NO. 403.
- ⑧ GRIND IN PLACE AND CONSTRUCT A.C. OVERLAY TO CENTERLINE (MIN. 0.15" THICK)
- ⑩ REMOVE A.C. DIKE
- ⑪ SAWCUT & REMOVE 1' (MIN.) OF A.C. PAVING
- ⑫ EXTEND EX. BARRICADE PER RCTD STD. NO. 810
- ⑬ INSTALL FOCAL POINT BIOFILTRATION SYSTEM PER MANUFACTURER'S SPECIFICATIONS AND DETAIL ON SHEET 4 (3.31' x 13.73' L)
- ⑰ CONSTRUCT A.C. OVERSIDE DRAIN PER RCTD STD. NO. 306
- ⑳ CONSTRUCT 6" A.C. DIKE PER RCTD STD. NO. 212
- ㉓ GRIND IN PLACE AND CONSTRUCT A.C. OVERLAY 8' PAST CENTER LINE (MIN. 0.15" THICK)

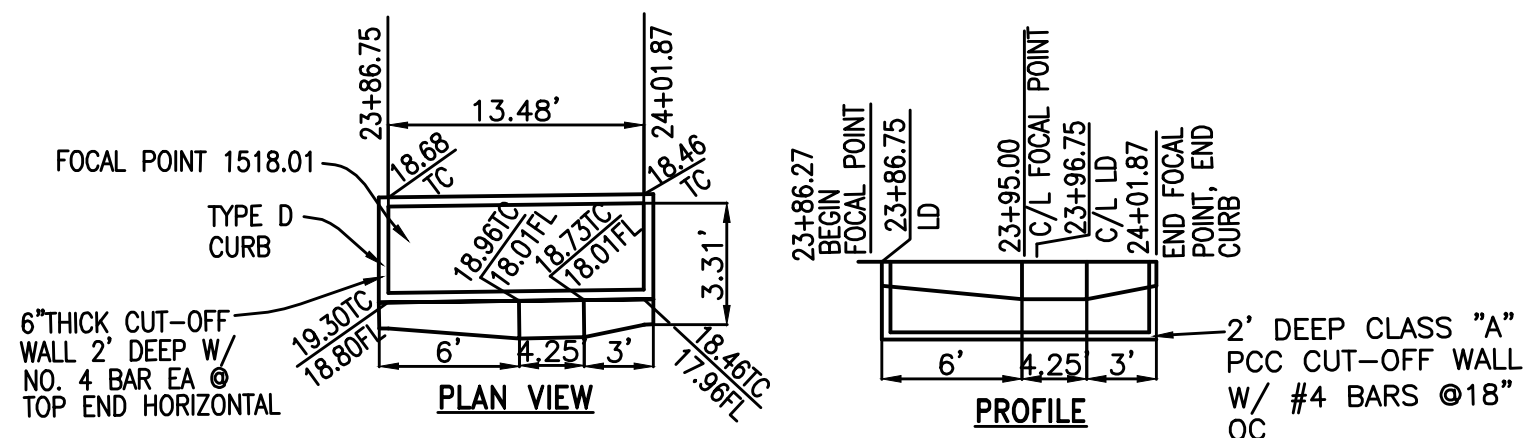
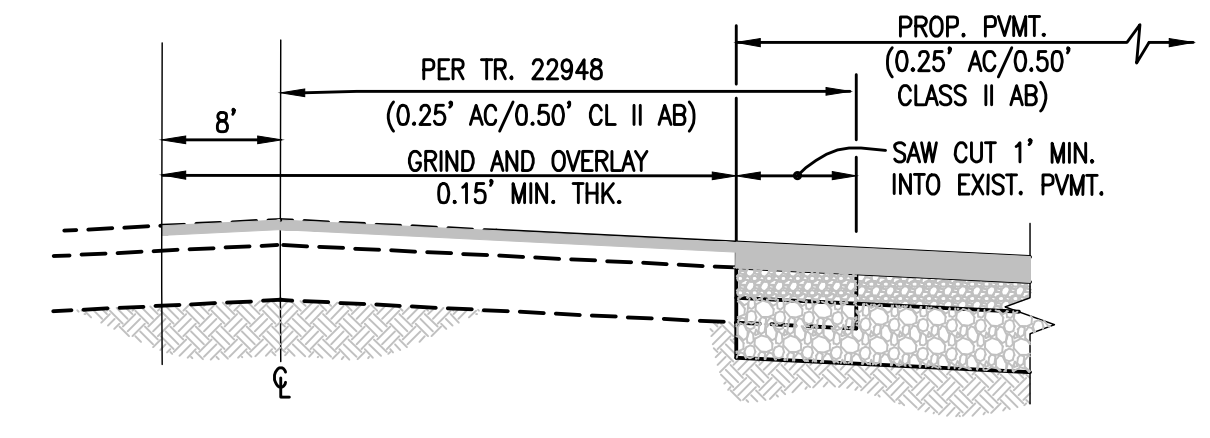
NO.	Δ	RADIUS	LENGTH	TANGENT
⑥	98°43'09"	25'	43.07'	29.13'
⑦	82°19'58"	25'	35.92'	21.86'
⑧	N00°42'34"W	-	400.62'	-
⑨	N00°42'34"W	-	83.24'	-



Underground Service Alert

TWO WORKING DAYS BEFORE YOU DIG

SOILS R-VALUE
PER GEOCON
DATED JUNE 4, 2014



NOTE:
WORK CONTAINED WITHIN THESE PLANS SHALL NOT COMMENCE UNTIL AN ENCROACHMENT PERMIT AND/OR A GRADING PERMIT HAS BEEN ISSUED.
THE PRIVATE ENGINEER SIGNING THESE PLANS IS RESPONSIBLE FOR ASSURING THE ACCURACY AND ACCEPTABILITY OF THE DESIGN HEREON. IN THE EVENT OF DISCREPANCIES ARISING AFTER COUNTY APPROVAL OR DURING CONSTRUCTION, THE PRIVATE ENGINEER SHALL BE RESPONSIBLE FOR DETERMINING AN ACCEPTABLE SOLUTION AND REVISING THE PLANS FOR APPROVAL BY THE COUNTY.

MARK BY	DATE	REVISIONS	APPR. DATE	COUNTY

CITY OF WILDOMAR

ACCEPTED BY: _____ Date: _____

DANIEL A. YORK, CITY ENGINEER
P.E. 43212

ACCEPTANCE AS TO CONFORMANCE WITH APPLICABLE CITY STANDARDS AND PRACTICES

ENGINEER:

LARRY R. MARKHAM
No. 30657
Exp. 3/31/18
CIVIL
STATE OF CALIFORNIA

M-D-M-G
MARKHAM DEVELOPMENT MANAGEMENT GROUP, INC.
41635 Enterprise Circle N., Suite B - Temecula, California 92590 - (951) 296-3466 TEL - (951) 296-3476 FAX

LARRY R. MARKHAM R.C.E. No. 30657 DATE _____

BENCHMARK: R-S
ALUMINUM DISC IN CONCRETE POST APPROX. 0.45 MILES N.W. LY FROM THE POST OFFICE AT MURRIETA, CA. N.E. OF THE TEE INTERSECTION OF KALMA ST. AND 2ND AVE. 31 FEET N.E. LY OF THE CENTERLINE ON 2ND AVE., 31 FEET S.E. LY OF CENTERLINE OF KALMA ST., 56 FEET S.E. LY OF PP NO. 15942975, 2 FEET N.W. LY OF END OF BLOCK WALL, 5 FEET N.E. LY OF A 4"x4" STREET SIGN POST.
RESET 1983
ELEVATION = 1094.817

SCALE: AS NOTED

SCHEDULE "A" TRACT MAP 29476
CITY OF WILDOMAR
STREET IMPROVEMENT PLANS
DAVID LANE STA. 18+00.00 TO STA. 23+81.13
TRACT 29476

FOR: CALPROP W.O. 975.102 CITY PROJECT #10-0077

SHEET No. **3**
OF **8** SHEETS

S:\Projects\0975.102_CALPROP\DWG\MASTER-SHEETS\UP\STREETS\S03.dwg, 6/17/2016 5:36:19 PM, DWG TO PDF.pc3