

Content

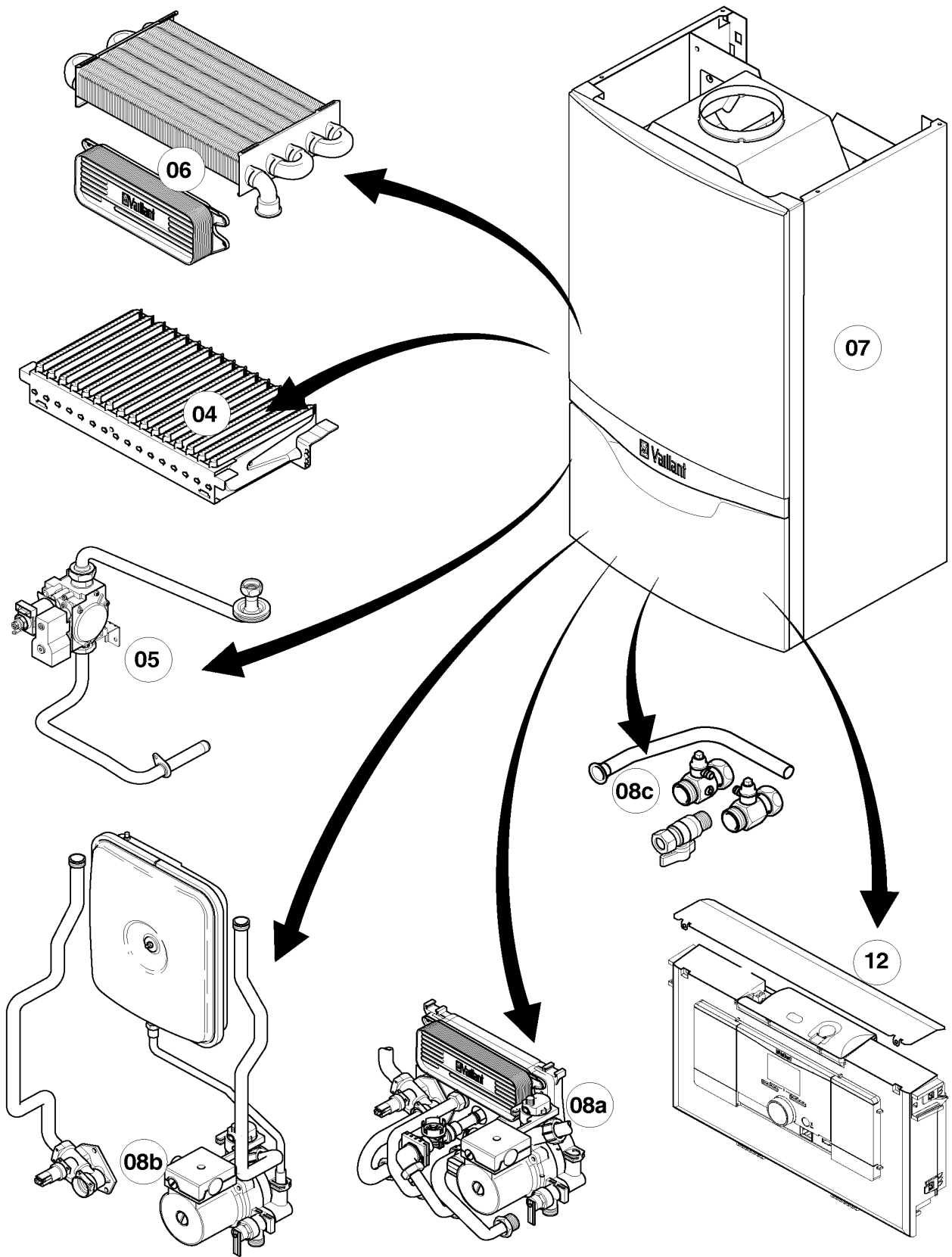
VU 200/5-5 (R1) VU 240/5-5 (R1) VU 280/5-5 (R1)	General view of sheet	3
	04 Burner	4
	05 Gas section	6
	06 Heat exchanger	8
	07 Casing parts	10
	08a Hydraulic parts	12
	08b Hydraulic parts	14
	08c Connecting accessories	16
	12 Control box	18
VUW 180/5-3 (R1) VUW 200/5-3 (R1) VUW 200/5-5 (R1) VUW 240/5-3 (R1) VUW 240/5-5 (R1) VUW 280/5-3 (R1) VUW 280/5-5 (R1)	General view of sheet	21
	04 Burner	22
	05 Gas section	24
	06 Heat exchanger	26
	07 Casing parts	30
	08a Hydraulic parts	38
	08b Hydraulic parts	42
	08c Connecting accessories	46
	12 Control box	48
VU 122/5-5 VU 202/5-5 VU 242/5-5 VU 282/5-5 VU 322/5-5 VU 362/5-5	General view of sheet	53
	04 Burner	54
	05 Gas section	56
	06 Heat exchanger	58
	07a Casing parts	60
	07b Air pressure chamber	62
	08a Hydraulic parts	64
	08b Hydraulic parts	66
	08c Connecting accessories	68
12 Control box	70	
VUW 182/5-3 VUW 11-202/5-3 VUW 202/5-3 VUW 202/5-5 VUW 242/5-3 VUW 242/5-5 VUW 282/5-3 VUW 282/5-5 VUW 322/5-5 VUW 362/5-5	General view of sheet	73
	04 Burner	74
	05 Gas section	76
	06 Heat exchanger	78
	07a Casing parts	80
	07b Air pressure chamber	84
	08a Hydraulic parts	88
	08b Hydraulic parts	92
	08c Connecting accessories	96
12 Control box	98	
Notes		102

In order to maintain the safe and efficient operation of this appliance, only genuine Vaillant spare parts must be used.

Um alle Funktionen des Vaillant Gerätes auf Dauer sicherzustellen und um den zugelassenen Serienstand nicht zu verändern, / dürfen bei Wartungs- und Instandhaltungsarbeiten nur Original Vaillant Ersatzteile verwendet werden!

General view of sheet

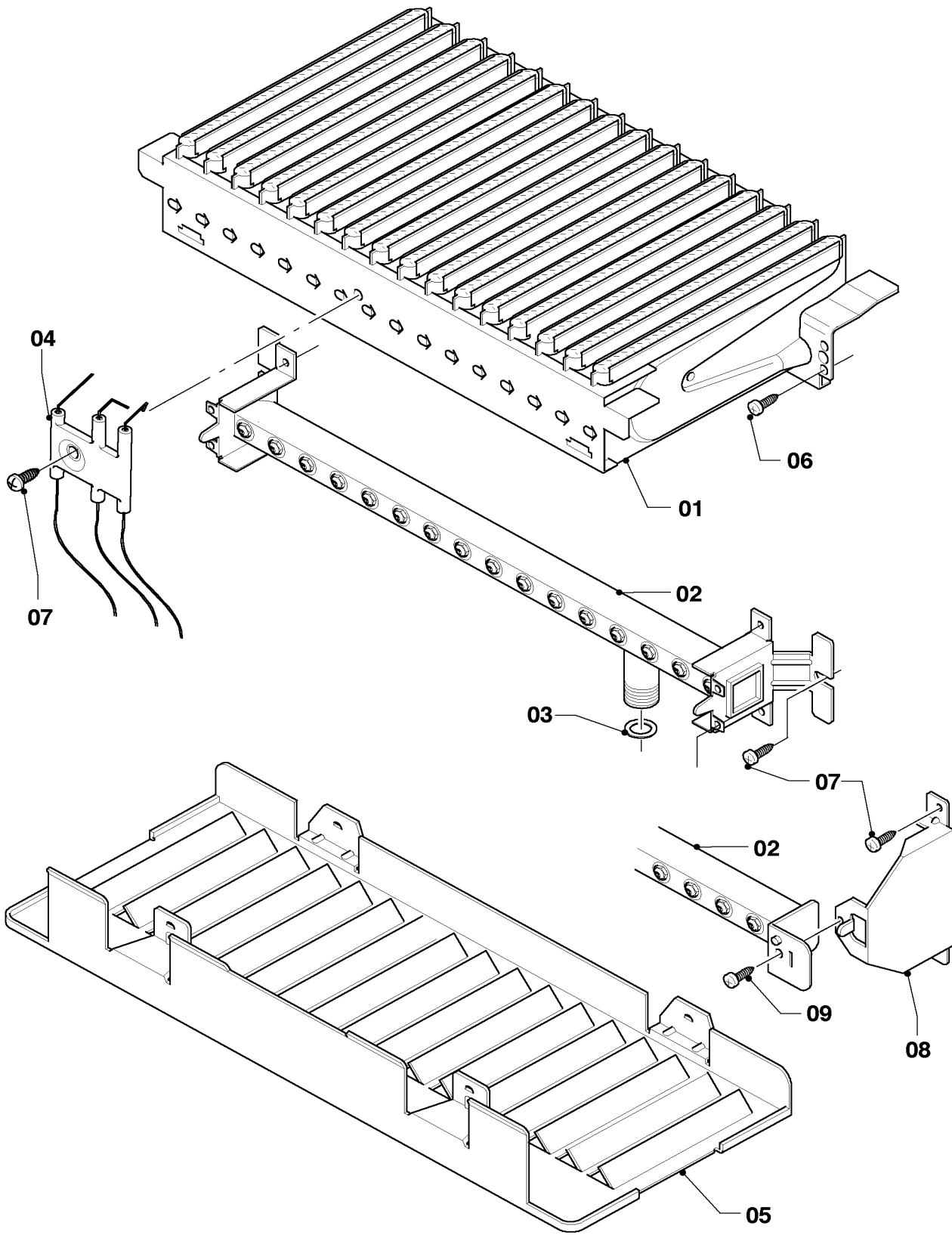
VU 200/5-5, VU 240/5-5, VU 280/5-5 (inkl. R1)



02 - 00 - 135

04 Burner

VU 200/5-5, VU 240/5-5, VU 280/5-5 (inkl. R1)



02 - 04 - 045.01

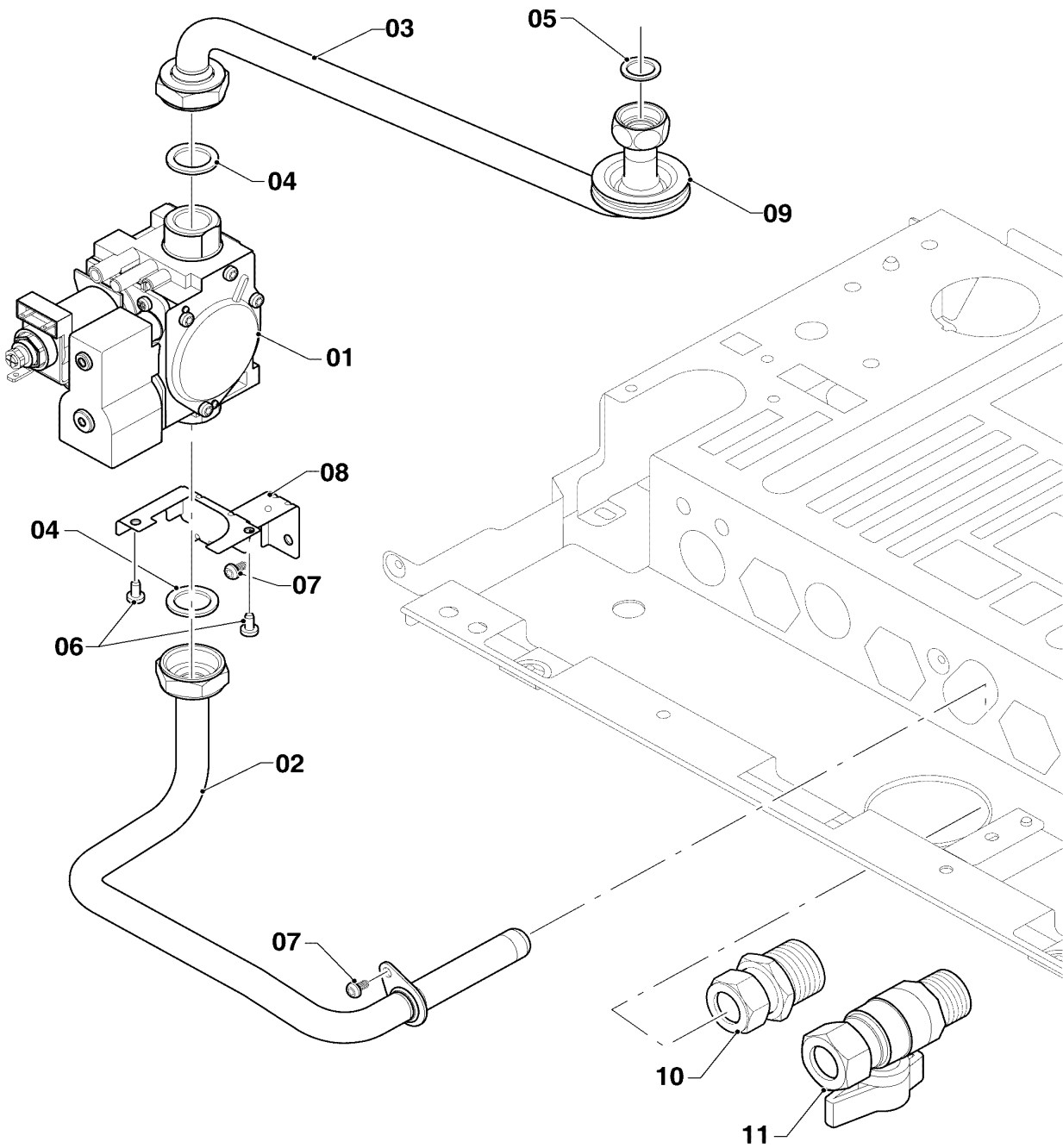
04 Burner

VU 200/5-5, VU 240/5-5, VU 280/5-5 (inkl. R1)

Pos.	Art.-No / Teile-Nr.	Part / Bezeichnung	Type, note / Typ, Bemerkung
		0204045	
01	0020071708	Burner chamber group 20kW	VU 200/5-5, with part 06
01	0020071708	Burner chamber group 20kW	VU 200/5-5 R1, with part 06
01	0020039045	Burner chamber group 24kW	VU 240/5-5, with part 06
01	0020039045	Burner chamber group 24kW	VU 240/5-5 R1, with part 06
01	0020039046	Burner chamber group 28kW	VU 280/5-5, with part 06
01	0020039046	Burner chamber group 28kW	VU 280/5-5 R1, with part 06
02	0020038147	Burner support 20kW H	VU 200/5-5, natural gas H, with parts 03, 07
02	0020038147	Burner support 20kW H	VU 200/5-5 R1, natural gas H, with parts 03, 07
02	0020039051	Burner support 24kW H	VU 240/5-5, natural gas H, with parts 03, 07
02	0020039051	Burner support 24kW H	VU 240/5-5 R1, natural gas H, with parts 03, 07
02	0020039053	Burner support 28kW H	VU 280/5-5, natural gas H, with parts 03, 07
02	0020039053	Burner support 28kW H	VU 280/5-5 R1, natural gas H, with parts 03, 07
03	981142	Sealing ring, (PK10)	
04	0020039057	Electrode	with part 07
05	0020038149	Protection plate	VU 200/5-5
05	0020038149	Protection plate	VU 200/5-5 R1
05	0020039058	Protection plate	VU 240/5-5
05	0020039058	Protection plate	VU 240/5-5 R1
05	0020039058	Protection plate	VU 280/5-5
05	0020039058	Protection plate	VU 280/5-5 R1
06	0020218970	Screw, (PK10)	
07	0020136643	Screw, (PK10)	
08	-	-	not for these appliances
09	-	-	not for these appliances

05 Gas section

VU 200/5-5, VU 240/5-5, VU 280/5-5 (inkl. R1)



02 - 05 - 032

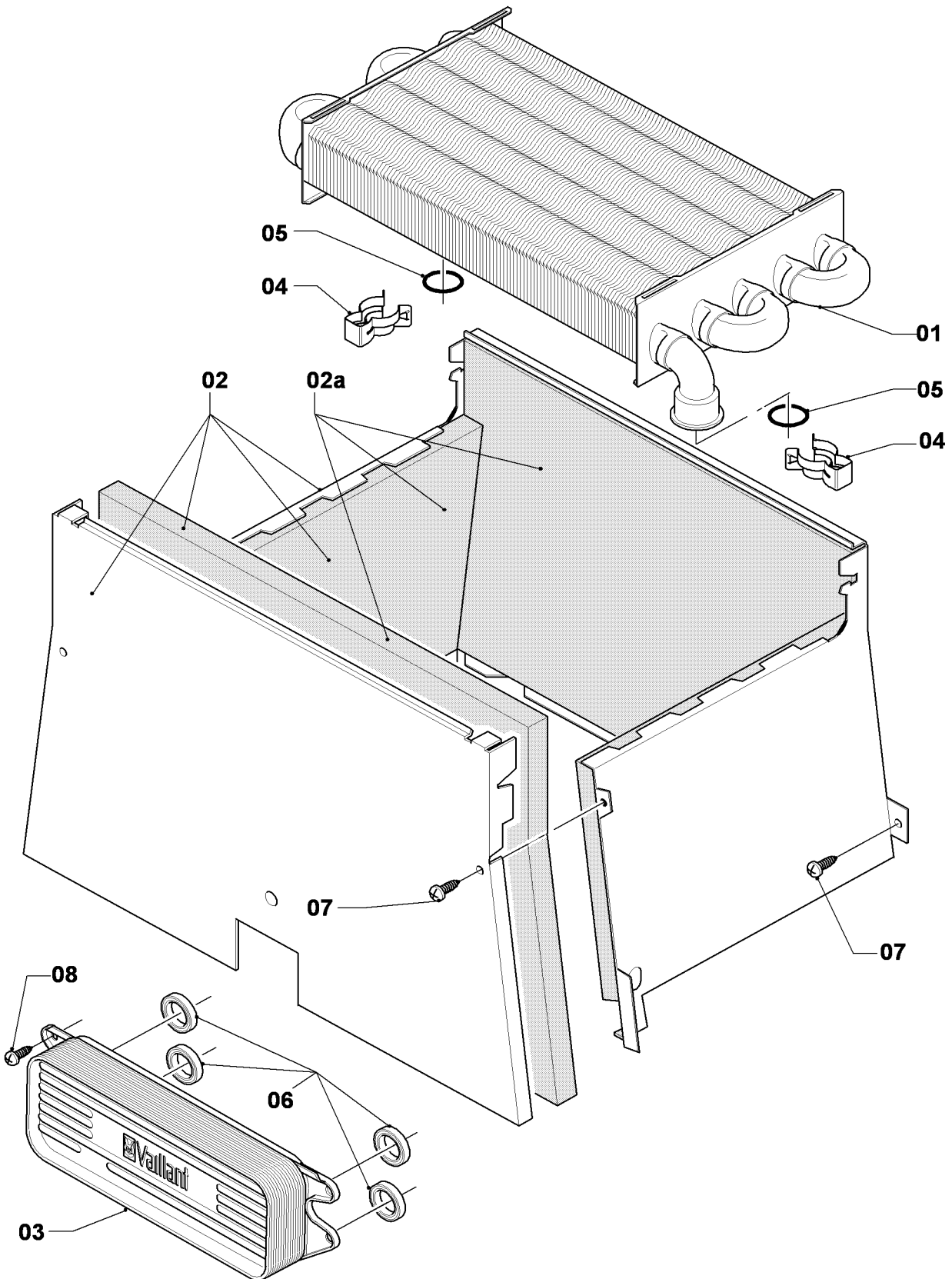
05 Gas section

VU 200/5-5, VU 240/5-5, VU 280/5-5 (inkl. R1)

Pos.	Art.-No / Teile-Nr.	Part / Bezeichnung	Type, note / Typ, Bemerkung
		0205032	
00	0020202406	Conversion kit, H -> PB (30mbar)	to liquid gas P (HR,MK,RU,SQ,SRB,UA), not shown
00	0020199906	Conversion kit, NG->LPG (30mbar)	to liquid gas P (AR,IL,IR,TR), not shown
00	0020202409	Conversion kit, LPG->NG (13/20mbar)	to natural gas H, not shown
01	0020200723	Gas valve	with part 04
02	0020200691	Gas pipe	with parts 04, 07
03	0020200707	Gas pipe	with parts 04, 05
04	981140	Sealing ring, 3/4 (PK10)	
05	981142	Sealing ring, (PK10)	
06	108628	Screw, (PK10)	
07	0020136643	Screw, (PK10)	
08	0020200700	Support	with parts 06, 07
09	-	-	not for these appliances
10	0020216971	Compression fitting	
11	-	-	not for these appliances

06 Heat exchanger

VU 200/5-5, VU 240/5-5, VU 280/5-5 (inkl. R1)



02 - 06 - 051.01

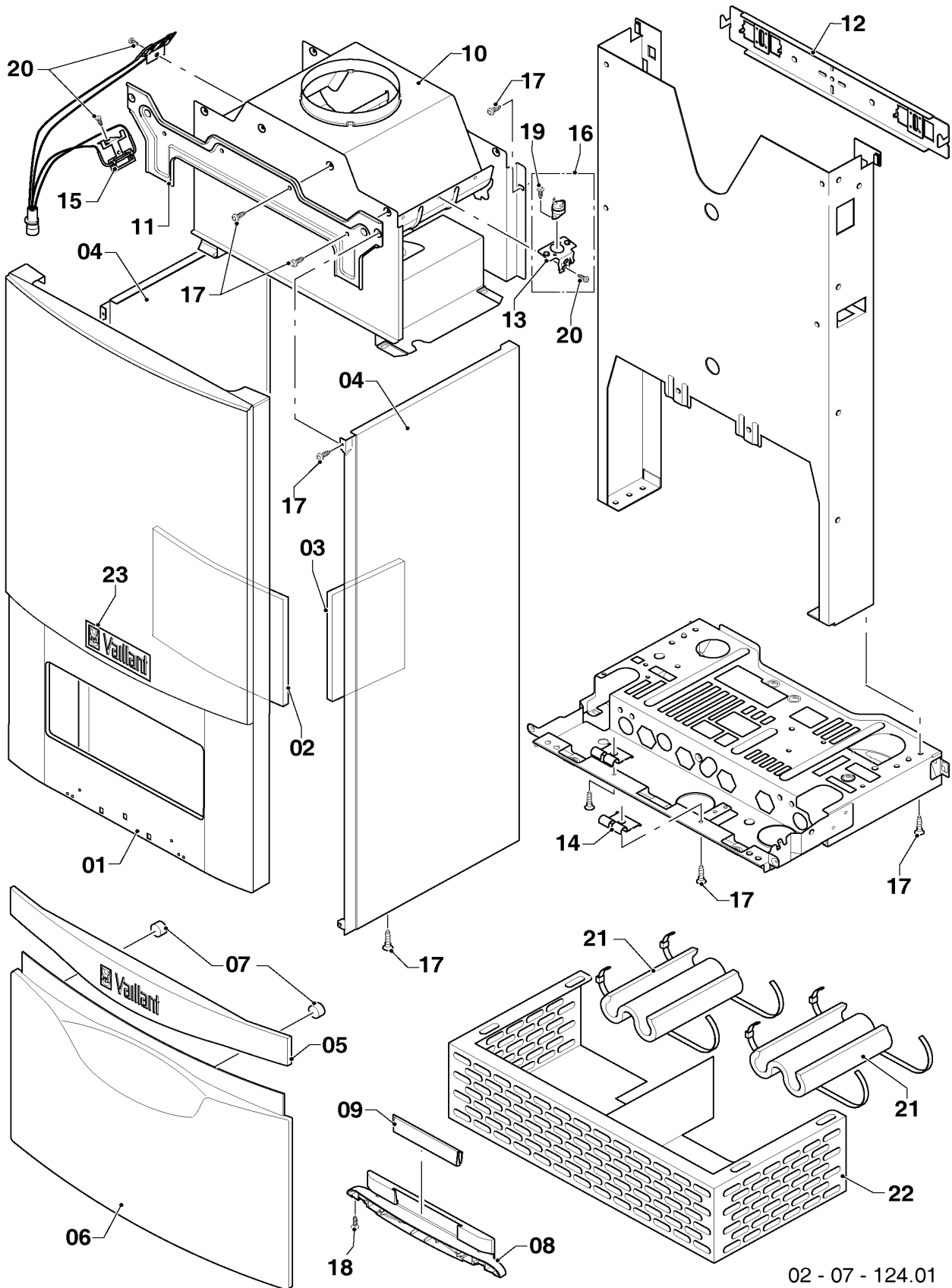
06 Heat exchanger

VU 200/5-5, VU 240/5-5, VU 280/5-5 (inkl. R1)

Pos.	Art.-No / Teile-Nr.	Part / Bezeichnung	Type, note / Typ, Bemerkung
		0206051	
01	0020038152	Heat exchanger (82 fins)	VU 200/5-5, with parts 04, 05
01	0020038152	Heat exchanger (82 fins)	VU 200/5-5 R1, with parts 04, 05
01	0020019994	Heat exchanger (92 fins)	VU 240/5-5, with parts 04, 05
01	0020019994	Heat exchanger (92 fins)	VU 240/5-5 R1, with parts 04, 05
01	0020039068	Heat exchanger (101 fins)	VU 280/5-5, with parts 04, 05
01	0020039068	Heat exchanger (101 fins)	VU 280/5-5 R1, with parts 04, 05
02	0020038153	Combustion chamber	VU 200/5-5, with part 07
02	0020038153	Combustion chamber	VU 200/5-5 R1, with part 07
02	0020039070	Combustion chamber	VU 240/5-5, with part 07
02	0020039070	Combustion chamber	VU 240/5-5 R1, with part 07
02	0020039071	Combustion chamber	VU 280/5-5, with part 07
02	0020039071	Combustion chamber	VU 280/5-5 R1, with part 07
02a	0020082188	Insulation (set)	VU 200/5-5
02a	0020082188	Insulation (set)	VU 200/5-5 R1
02a	0020082190	Insulation (set)	VU 240/5-5
02a	0020082190	Insulation (set)	VU 240/5-5 R1
02a	0020082191	Insulation (set)	VU 280/5-5
02a	0020082191	Insulation (set)	VU 280/5-5 R1
03	0020038572	Heat exchanger dhw (19 plates)	with parts 06, 08
04	219621	Spring clamp, (PK10)	
05	981151	O-ring, (PK10)	
06	178969	Gasket, C-type (PK10)	
07	0020136643	Screw, (PK10)	
08	178968	Screw, (PK10)	

07 Casing parts

VU 200/5-5, VU 240/5-5, VU 280/5-5 (inkl. R1)



02 - 07 - 124.01

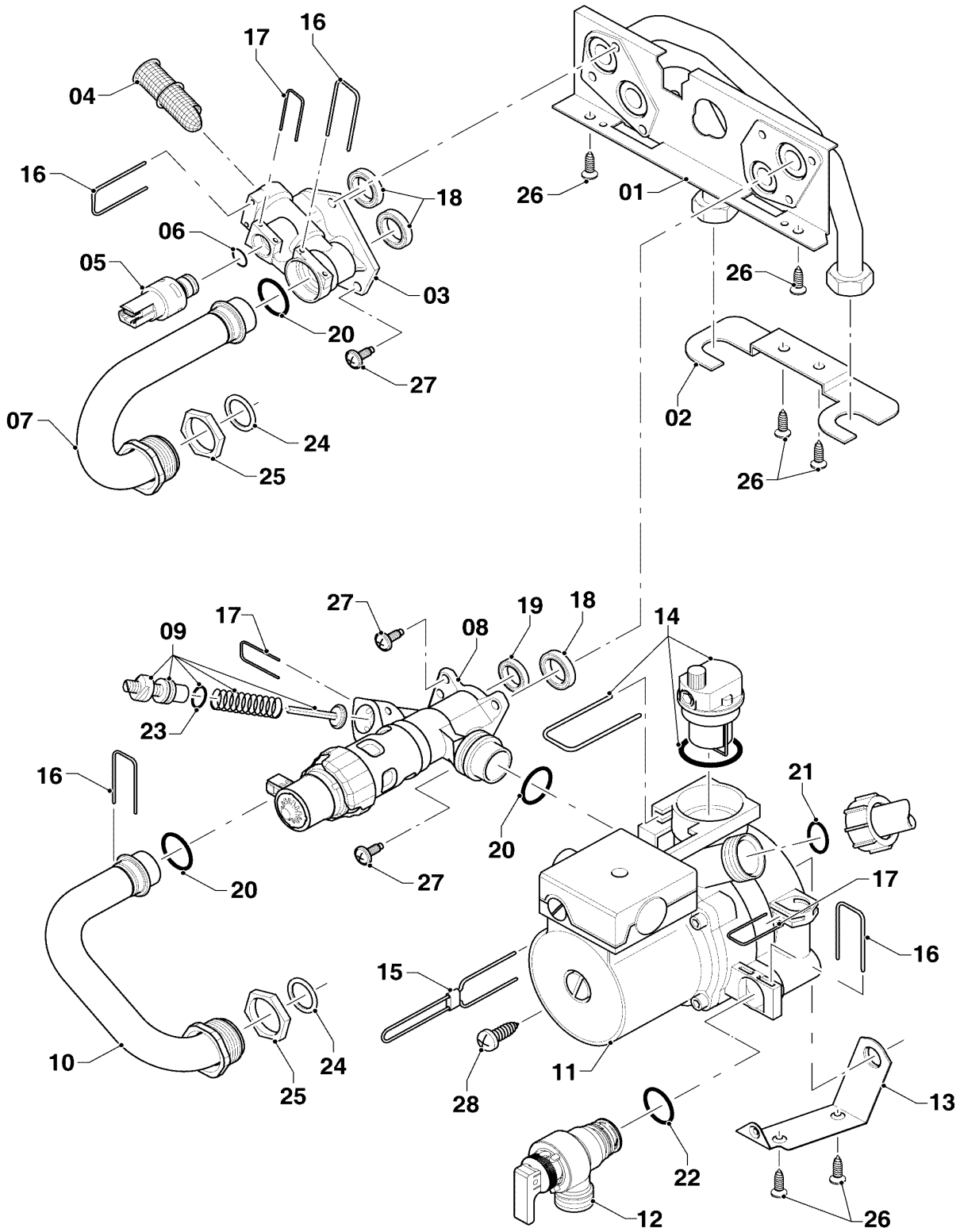
07 Casing parts

VU 200/5-5, VU 240/5-5, VU 280/5-5 (inkl. R1)

Pos.	Art.-No / Teile-Nr.	Part / Bezeichnung	Type, note / Typ, Bemerkung
		0207124	
01	0020200693	Casing	with parts 02, 17
02	0020216996	Insulation	VU 200/5-5
02	0020216996	Insulation	VU 200/5-5 R1
02	0020216996	Insulation	VU 240/5-5
02	0020216996	Insulation	VU 240/5-5 R1
02	159114	Heat protection plate	VU 280/5-5
02	159114	Heat protection plate	VU 280/5-5 R1
03	0020216974	Insulation plate	
04	0020039074	Side panel	with part 17
05	0020144609	Handle	with part 07
06	0020200695	Flap, cover	with parts 05, 07, 08, 18
07	0020068136	Magnet, (PK2)	
08	0020144595	Hinge	with part 18
09	0020210120	Badge, blank	
10	0020216967	Draught diverter	VU 200/5-5, with parts 17, 20
10	0020216967	Draught diverter	VU 200/5-5 R1, with parts 17, 20
10	0020216968	Draught diverter	VU 240/5-5, with parts 17, 20
10	0020216968	Draught diverter	VU 240/5-5 R1, with parts 17, 20
10	0020216966	Draught diverter	VU 280/5-5, with parts 17, 20
10	0020216966	Draught diverter	VU 280/5-5 R1, with parts 17, 20
11	0020210119	Support	with part 17
12	0020039072	Support	
13	-	-	not available as spare part, please order pos. 16
14	0020144611	Support, control box (PK2)	with part 17
15	0020039083	Sensor flue gas	VU 200/5-5, with part 20
15	0020261470	Flue sensor	VU 200/5-5 R1, with part 20
15	0020039083	Sensor flue gas	VU 240/5-5, with part 20
15	0020261470	Flue sensor	VU 240/5-5 R1, with part 20
15	0020039083	Sensor flue gas	VU 280/5-5, with part 20
15	0020261470	Flue sensor	VU 280/5-5 R1, with part 20
16	0020265142	Sensor, kit	VU 200/5-5
16	0020265142	Sensor, kit	VU 200/5-5 R1
16	0020265144	Sensor, kit	VU 240/5-5
16	0020265144	Sensor, kit	VU 240/5-5 R1
16	0020265146	Sensor, kit	VU 280/5-5
16	0020265146	Sensor, kit	VU 280/5-5 R1
17	0020136643	Screw, (PK10)	
18	193538	Screw, (PK10)	
19	-	-	not available as spare part, please order pos. 16
20	108542	Screw, (PK10)	
21	076629	Insulation, (PK2)	only for balcony
22	0020039085	Cover wind protection	only for balcony
23	-	-	not for these appliances

08a Hydraulic parts

VU 200/5-5, VU 240/5-5, VU 280/5-5 (inkl. R1)



02 - 08 - 223

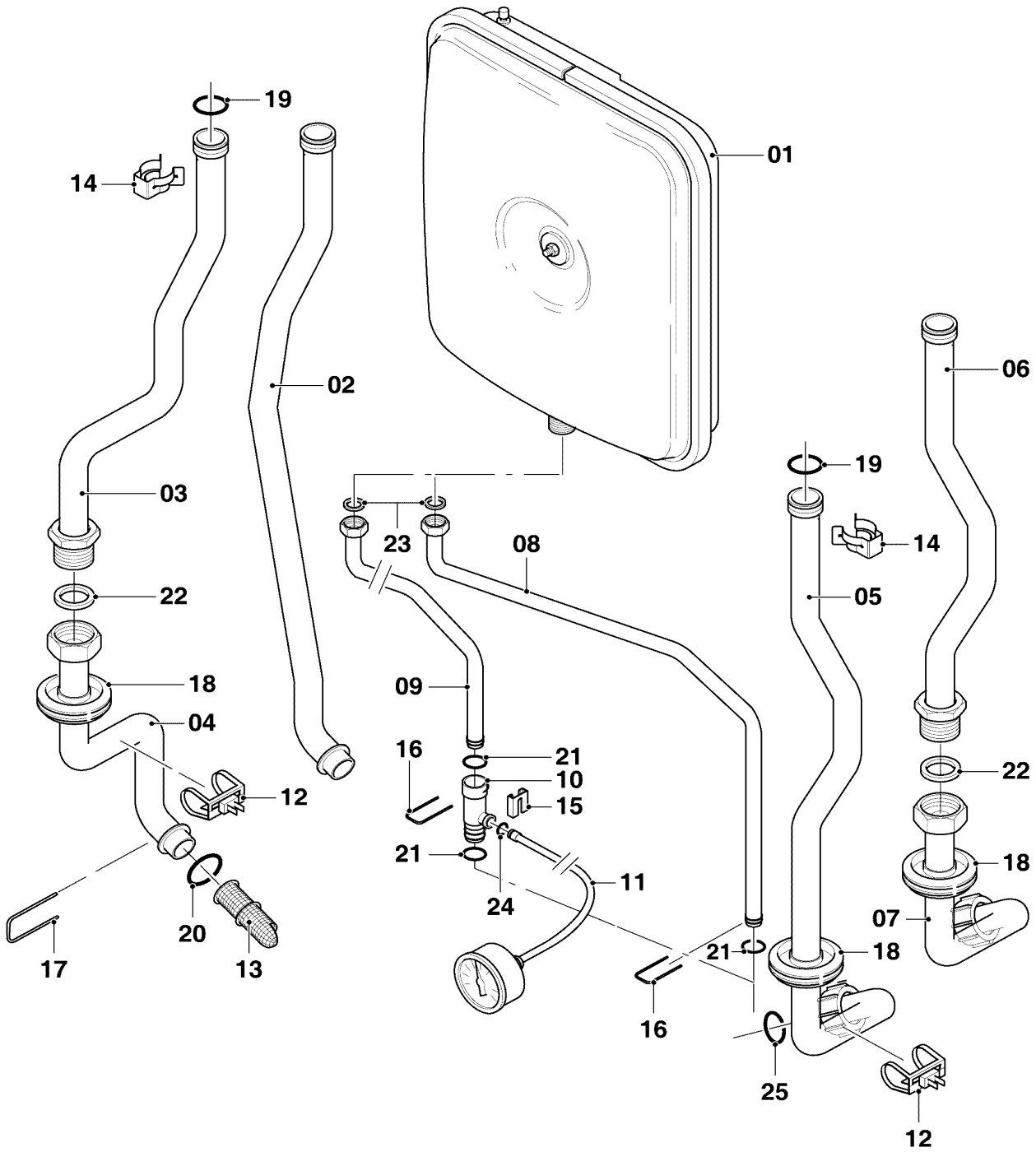
08a Hydraulic parts

VU 200/5-5, VU 240/5-5, VU 280/5-5 (inkl. R1)

Pos.	Art.-No / Teile-Nr.	Part / Bezeichnung	Type, note / Typ, Bemerkung
		0208223	
01	0020046782	Plate	with parts 18, 19, 20, 24, 26, 27
02	-	-	cannot be delivered as spare part
03	179031	Connection, brass	only for RU,UA,VE-RU, with parts 06,16,17,18,20,27
03	0020140559	Connection, composite	only for SEE-INT, with parts 06,16,17,18,20,27
04	179030	Filter	with parts 16, 20
05	0020059717	Sensor (water pressure)	with parts 06, 17
06	178993	O-ring, (PK10)	
07	179033	Pipe	with parts 20, 24, 25
08	0020132683	Diverter valve, brass	only for RU,UA,VE-RU, with parts 09,16,17,18,19,20,27
08	0020020015	Diverter valve, plastic	only for SEE-INT, with parts 09,16,17,18,19,20,27
09	178980	Bypass	with part 17
10	180999	Pipe	with parts 20, 24, 25
11	0020213167	Pump	with parts 13,14,16,17,20,21,22,26,28
12	178985	Pressure relief valve, 3 bar	with parts 16, 22
13	178984	Support	with parts 26, 28
14	104521	Automatic de-aerator	
15	178981	Clip	
16	178992	Clip, (PK10)	
17	0020107694	Clip, (PK5)	
18	193535	Gasket, C-type (PK10)	
19	178969	Gasket, C-type (PK10)	
20	193537	O-ring, (PK10)	
21	193539	O-ring, (PK10)	
22	178986	O-ring, (PK10)	
23	981165	O-ring, (PK10)	
24	981140	Sealing ring, 3/4 (PK10)	
25	193598	Nut, (PK4)	
26	0020107695	Screw, (PK10)	
27	178968	Screw, (PK10)	
28	0020133833	Screw, (PK10)	

08b Hydraulic parts

VU 200/5-5, VU 240/5-5, VU 280/5-5 (inkl. R1)



02-08-142.02

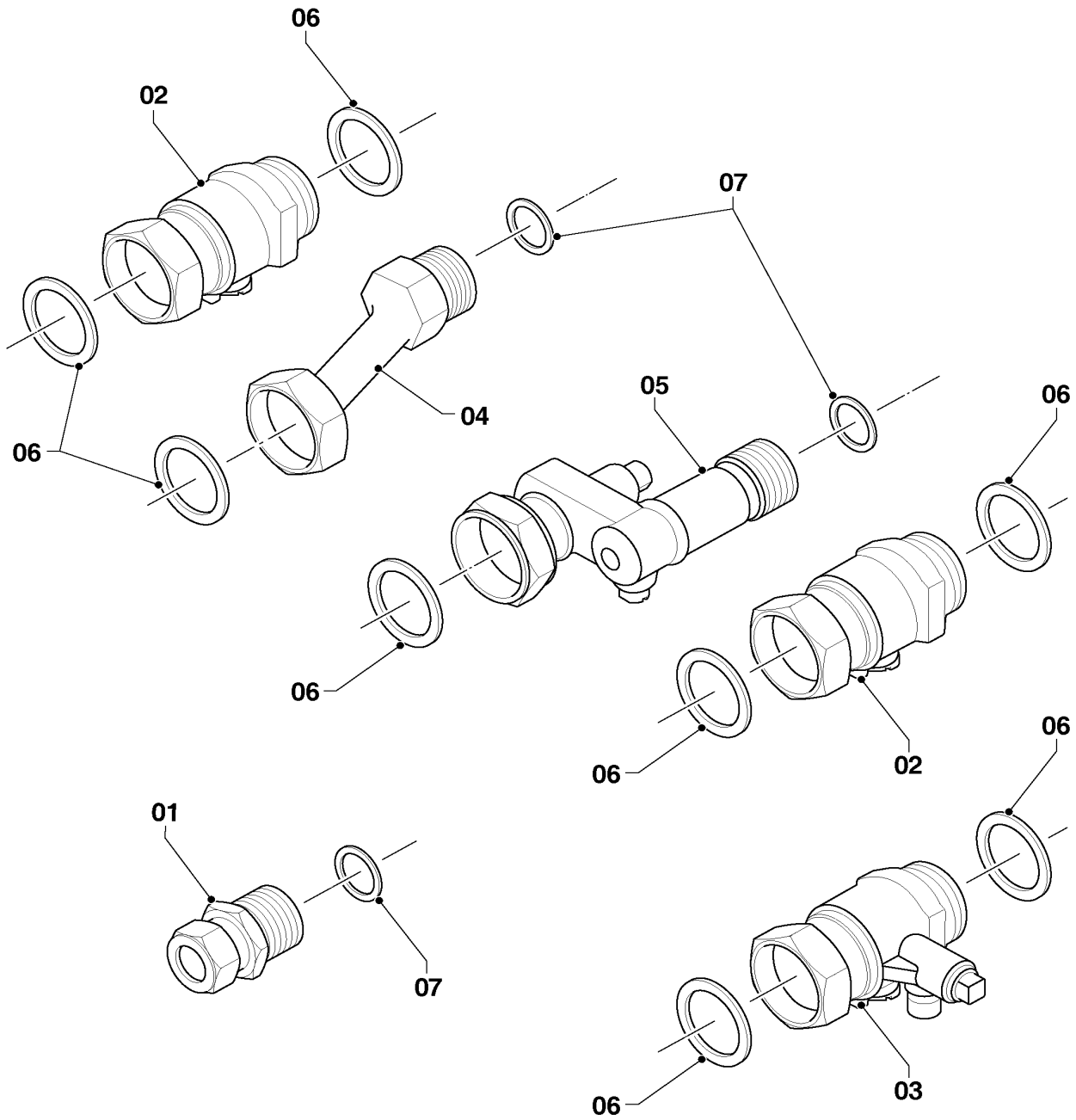
08b Hydraulic parts

VU 200/5-5, VU 240/5-5, VU 280/5-5 (inkl. R1)

Pos.	Art.-No / Teile-Nr.	Part / Bezeichnung	Type, note / Typ, Bemerkung
		0208142	
01	181057	Expansion vessel 10 ltr.	
02	0020041916	Tube 12+20kW atmo	VU 200/5-5, with parts 14, 17, 19, 20
02	0020041916	Tube 12+20kW atmo	VU 200/5-5 R1, with parts 14, 17, 19, 20
02	0020041917	Tube 24kW atmo	VU 240/5-5, with parts 14, 17, 19, 20
02	0020041917	Tube 24kW atmo	VU 240/5-5 R1, with parts 14, 17, 19, 20
02	0020041918	Tube 28kW atmo	VU 280/5-5, with parts 14, 17, 19, 20
02	0020041918	Tube 28kW atmo	VU 280/5-5 R1, with parts 14, 17, 19, 20
03	-	-	not for these appliances
04	-	-	not for these appliances
05	0020041924	Tube 12+20kW atmo	VU 200/5-5, with parts 14, 19, 25
05	0020041924	Tube 12+20kW atmo	VU 200/5-5 R1, with parts 14, 19, 25
05	0020041925	Tube 24kW atmo	VU 240/5-5, with parts 14, 19, 25
05	0020041925	Tube 24kW atmo	VU 240/5-5 R1, with parts 14, 19, 25
05	0020041926	Tube 28kW atmo	VU 280/5-5, with parts 14, 19, 25
05	0020041926	Tube 28kW atmo	VU 280/5-5 R1, with parts 14, 19, 25
06	-	-	not for these appliances
07	-	-	not for these appliances
08	0020041914	Tube	only for TR, with parts 16, 21, 23
09	0020041915	Tube	not for TR, with parts 16, 21, 23
10	0020023812	Adapter manometer	not for TR, with parts 15, 16, 21, 24
11	101271	Pressure gauge	not for TR, with parts 15, 24
12	0020068120	Sensor, NTC 19mm	
13	179030	Filter	with parts 17, 20
14	219621	Spring clamp, (PK10)	
15	0020107709	Support	not for TR
16	0020107694	Clip, (PK5)	
17	178992	Clip, (PK10)	
18	-	-	not for these appliances
19	981151	O-ring, (PK10)	
20	193537	O-ring, (PK10)	
21	178993	O-ring, (PK10)	
22	-	-	not for these appliances
23	981149	Sealing ring, (PK10)	
24	981155	O-ring, (PK10)	not for TR
25	193539	O-ring, (PK10)	

08c Connecting accessories

VU 200/5-5, VU 240/5-5, VU 280/5-5 (inkl. R1)



02 - 08 - 220

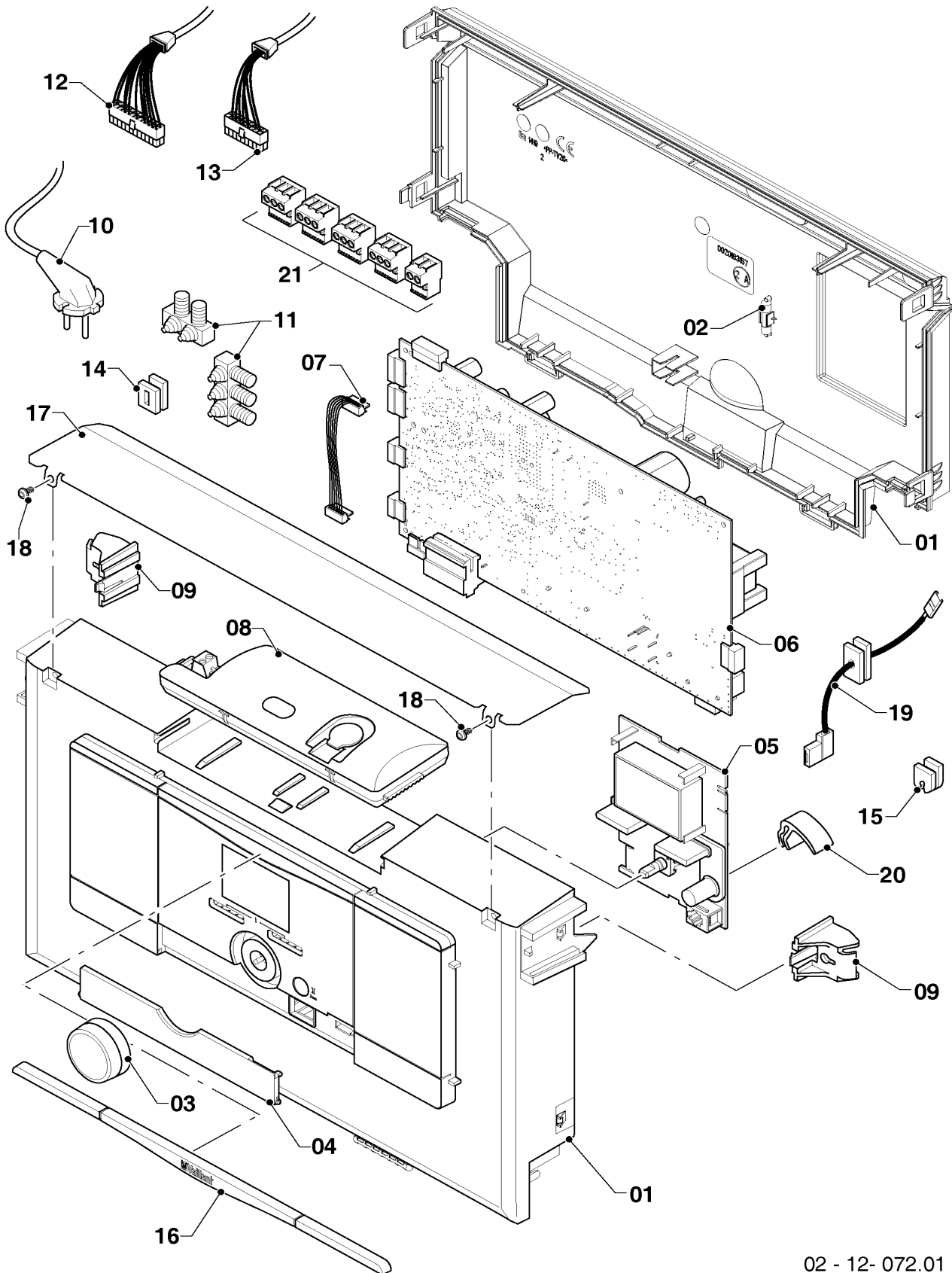
08c Connecting accessories

VU 200/5-5, VU 240/5-5, VU 280/5-5 (inkl. R1)

Pos.	Art.-No / Teile-Nr.	Part / Bezeichnung	Type, note / Typ, Bemerkung
		0208220	
01	0020216971	Compression fitting	
02	0020221260	Service valve	with part 06
03	0020057433	Valve	with part 06
04	-	-	not for these appliances
05	-	-	not for these appliances
06	981140	Sealing ring, 3/4 (PK10)	
07	981142	Sealing ring, (PK10)	

12 Control box

VU 200/5-5, VU 240/5-5, VU 280/5-5 (inkl. R1)



02 - 12- 072.01

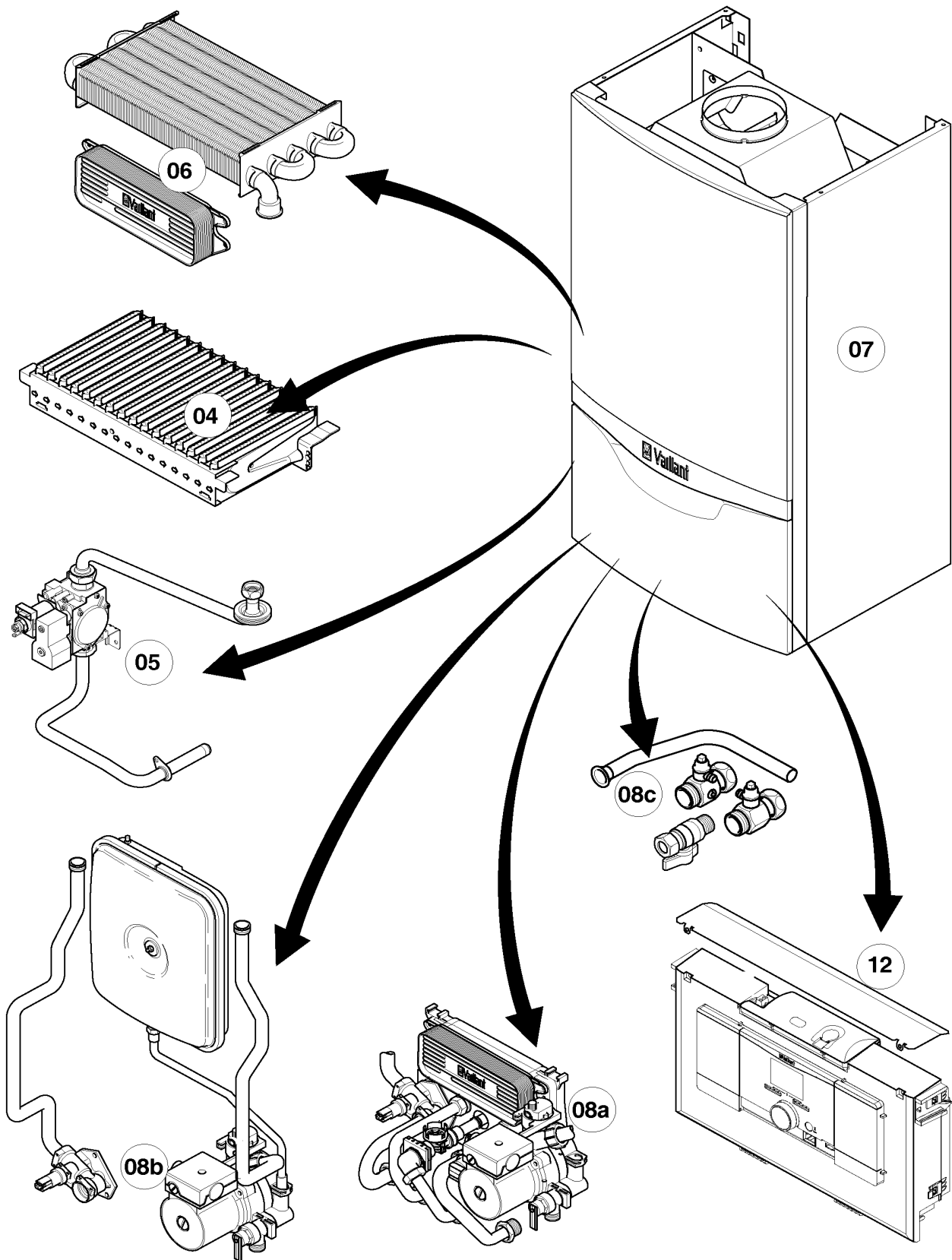
12 Control box

VU 200/5-5, VU 240/5-5, VU 280/5-5 (inkl. R1)

Pos.	Art.-No / Teile-Nr.	Part / Bezeichnung	Type, note / Typ, Bemerkung
		0212072	
01	0020216296	Housing front (plus)	with parts 02, 03, 04, 16
02	0020067507	Fuse, 2,0 A T2H (PK10)	
03	0020213174	Knob.	
04	0020216972	Flap (kit)	
05	0020202560	Display Plus	
06	0020202559	PCB	VU 200/5-5
06	0020254534	PCB	VU 200/5-5 R1
06	0020202559	PCB	VU 240/5-5
06	0020254534	PCB	VU 240/5-5 R1
06	0020202559	PCB	VU 280/5-5
06	0020254534	PCB	VU 280/5-5 R1
07	0020136630	Cable, display	
08	-	-	wireless thermostat (accessory, cannot be delivered as spare part)
09	0020200703	Spacer	
10	0020200688	Supply harness	only for TR
10	0020210121	Cable	only for SEE
11	078533	Cable fixation	
12	0020216295	Wiring harness	
13	0020207150	Wiring harness	VU 200/5-5
13	0020207150	Wiring harness	VU 200/5-5 R1
13	0020200714	Wiring harness	VU 240/5-5
13	0020200714	Wiring harness	VU 240/5-5 R1
13	0020207150	Wiring harness	VU 280/5-5
13	0020207150	Wiring harness	VU 280/5-5 R1
14	0020210117	Plug	
15	078533	Cable fixation	
16	0020216303	Cover	
17	0020210118	Cover	
18	0020207152	Screw, (PK10)	
19	0020197541	Cable	
20	0020216997	Spacer	
21	0020136646	Connector ProE (Set)	incl. green connector for power connection

General view of sheet

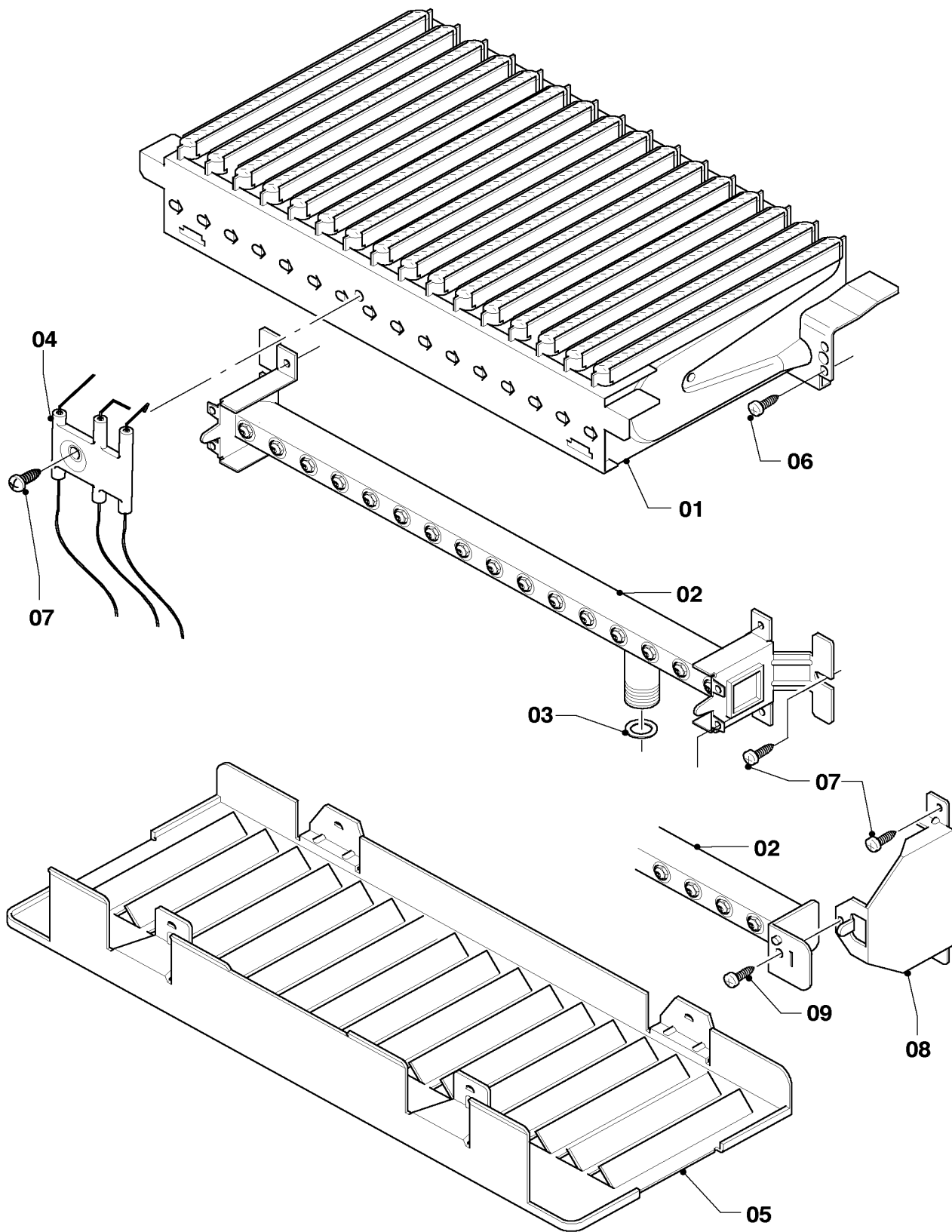
VUW 180/5-3, VUW 200/5-3, VUW 200/5-5, VUW 240/5-3, VUW 240/5-5, VUW 280/5-3, VUW 280/5-5 (inkl. R1)



02 - 00 - 135

04 Burner

VUW 180/5-3, VUW 200/5-3, VUW 200/5-5, VUW 240/5-3, VUW 240/5-5, VUW 280/5-3, VUW 280/5-5 (inkl. R1)



02 - 04 - 045.01

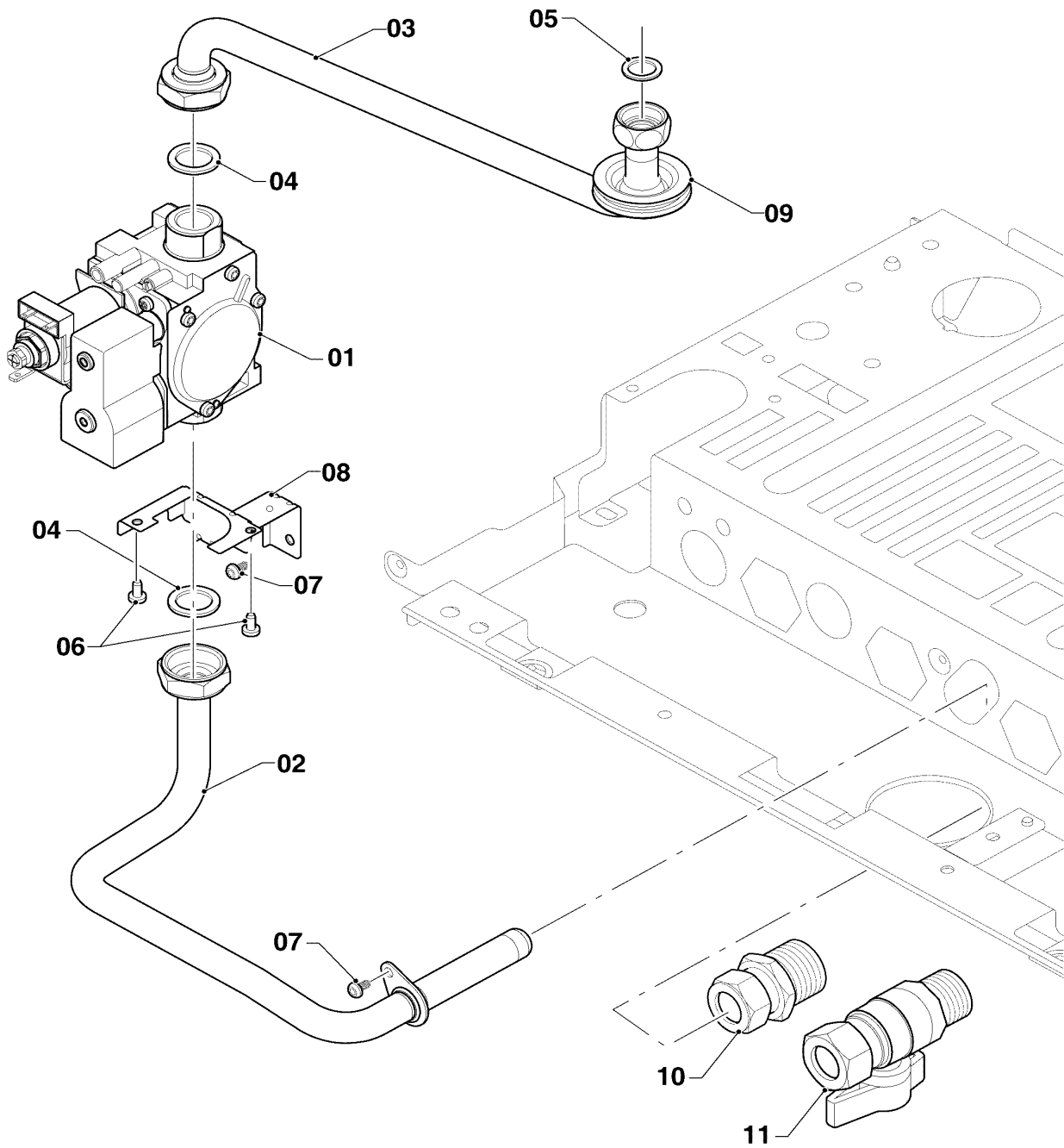
04 Burner

VUW 180/5-3, VUW 200/5-3, VUW 200/5-5, VUW 240/5-3, VUW 240/5-5, VUW 280/5-3, VUW 280/5-5 (inkl. R1)

Pos.	Art.-No / Teile-Nr.	Part / Bezeichnung	Type, note / Typ, Bemerkung
		0204045	
01	0020071708	Burner chamber group 20kW	VUW 180/5-3, with part 06
01	0020071708	Burner chamber group 20kW	VUW 180/5-3 R1, with part 06
01	0020071708	Burner chamber group 20kW	VUW 200/5-3, with part 06
01	0020071708	Burner chamber group 20kW	VUW 200/5-3 R1, with part 06
01	0020071708	Burner chamber group 20kW	VUW 200/5-5, with part 06
01	0020071708	Burner chamber group 20kW	VUW 200/5-5 R1, with part 06
01	0020039045	Burner chamber group 24kW	VUW 240/5-3, with part 06
01	0020039045	Burner chamber group 24kW	VUW 240/5-3 R1, with part 06
01	0020039045	Burner chamber group 24kW	VUW 240/5-5, with part 06
01	0020039045	Burner chamber group 24kW	VUW 240/5-5 R1, with part 06
01	0020039046	Burner chamber group 28kW	VUW 280/5-3, with part 06
01	0020039046	Burner chamber group 28kW	VUW 280/5-3 R1, with part 06
01	0020039046	Burner chamber group 28kW	VUW 280/5-5, with part 06
01	0020039046	Burner chamber group 28kW	VUW 280/5-5 R1, with part 06
02	0020038147	Burner support 20kW H	VUW 180/5-3, natural gas H, with parts 03, 07
02	0020038147	Burner support 20kW H	VUW 180/5-3 R1, natural gas H, with parts 03, 07
02	0020038147	Burner support 20kW H	VUW 200/5-3, natural gas H, with parts 03, 07
02	0020038147	Burner support 20kW H	VUW 200/5-3 R1, natural gas H, with parts 03, 07
02	0020038147	Burner support 20kW H	VUW 200/5-5, natural gas H, with parts 03, 07
02	0020038147	Burner support 20kW H	VUW 200/5-5 R1, natural gas H, with parts 03, 07
02	0020039051	Burner support 24kW H	VUW 240/5-3, natural gas H, with parts 03, 07
02	0020039051	Burner support 24kW H	VUW 240/5-3 R1, natural gas H, with parts 03, 07
02	0020039051	Burner support 24kW H	VUW 240/5-5, natural gas H, with parts 03, 07
02	0020039051	Burner support 24kW H	VUW 240/5-5 R1, natural gas H, with parts 03, 07
02	0020039053	Burner support 28kW H	VUW 280/5-3, natural gas H, with parts 03, 07
02	0020039053	Burner support 28kW H	VUW 280/5-3 R1, natural gas H, with parts 03, 07
02	0020039053	Burner support 28kW H	VUW 280/5-5, natural gas H, with parts 03, 07
02	0020039053	Burner support 28kW H	VUW 280/5-5 R1, natural gas H, with parts 03, 07
03	981142	Sealing ring, (PK10)	
04	0020039057	Electrode	with part 07
05	0020038149	Protection plate	VUW 180/5-3
05	0020038149	Protection plate	VUW 180/5-3 R1
05	0020038149	Protection plate	VUW 200/5-3
05	0020038149	Protection plate	VUW 200/5-3 R1
05	0020038149	Protection plate	VUW 200/5-5
05	0020038149	Protection plate	VUW 200/5-5 R1
05	0020039058	Protection plate	VUW 240/5-3
05	0020039058	Protection plate	VUW 240/5-3 R1
05	0020039058	Protection plate	VUW 240/5-5
05	0020039058	Protection plate	VUW 240/5-5 R1
05	0020039058	Protection plate	VUW 280/5-3
05	0020039058	Protection plate	VUW 280/5-3 R1
05	0020039058	Protection plate	VUW 280/5-5
05	0020039058	Protection plate	VUW 280/5-5 R1
06	0020218970	Screw, (PK10)	
07	0020136643	Screw, (PK10)	
08	-	-	not for these appliances
09	-	-	not for these appliances

05 Gas section

VUW 180/5-3, VUW 200/5-3, VUW 200/5-5, VUW 240/5-3, VUW 240/5-5, VUW 280/5-3, VUW 280/5-5 (inkl. R1)



02 - 05 - 032

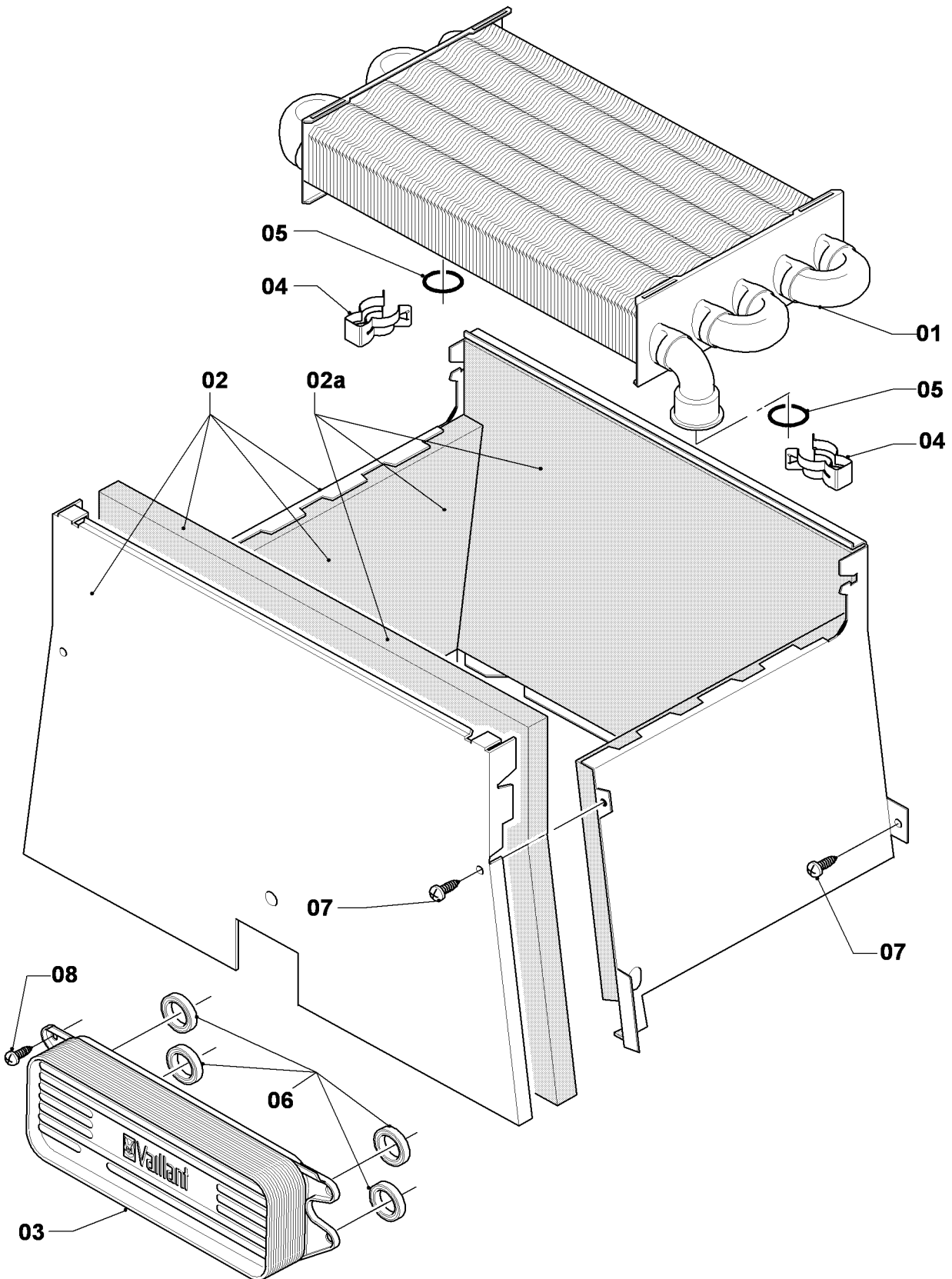
05 Gas section

VUW 180/5-3, VUW 200/5-3, VUW 200/5-5, VUW 240/5-3, VUW 240/5-5, VUW 280/5-3, VUW 280/5-5 (inkl. R1)

Pos.	Art.-No / Teile-Nr.	Part / Bezeichnung	Type, note / Typ, Bemerkung
		0205032	
00	0020202406	Conversion kit, H -> PB (30mbar)	to liquid gas P (HR,MK,RU,SQ,SRB,UA), not shown
00	0020199906	Conversion kit, NG->LPG (30mbar)	to liquid gas P (AR,IL,IR,TR), not shown
00	0020202409	Conversion kit, LPG->NG (13/20mbar)	to natural gas H, not shown
01	0020200723	Gas valve	with part 04
02	0020200691	Gas pipe	with parts 04, 07
03	0020200707	Gas pipe	with parts 04, 05
04	981140	Sealing ring, 3/4 (PK10)	
05	981142	Sealing ring, (PK10)	
06	108628	Screw, (PK10)	
07	0020136643	Screw, (PK10)	
08	0020200700	Support	with parts 06, 07
09	-	-	not for these appliances
10	0020216971	Compression fitting	
11	-	-	not for these appliances

06 Heat exchanger

VUW 180/5-3, VUW 200/5-3, VUW 200/5-5, VUW 240/5-3, VUW 240/5-5, VUW 280/5-3, VUW 280/5-5 (inkl. R1)



02 - 06 - 051.01

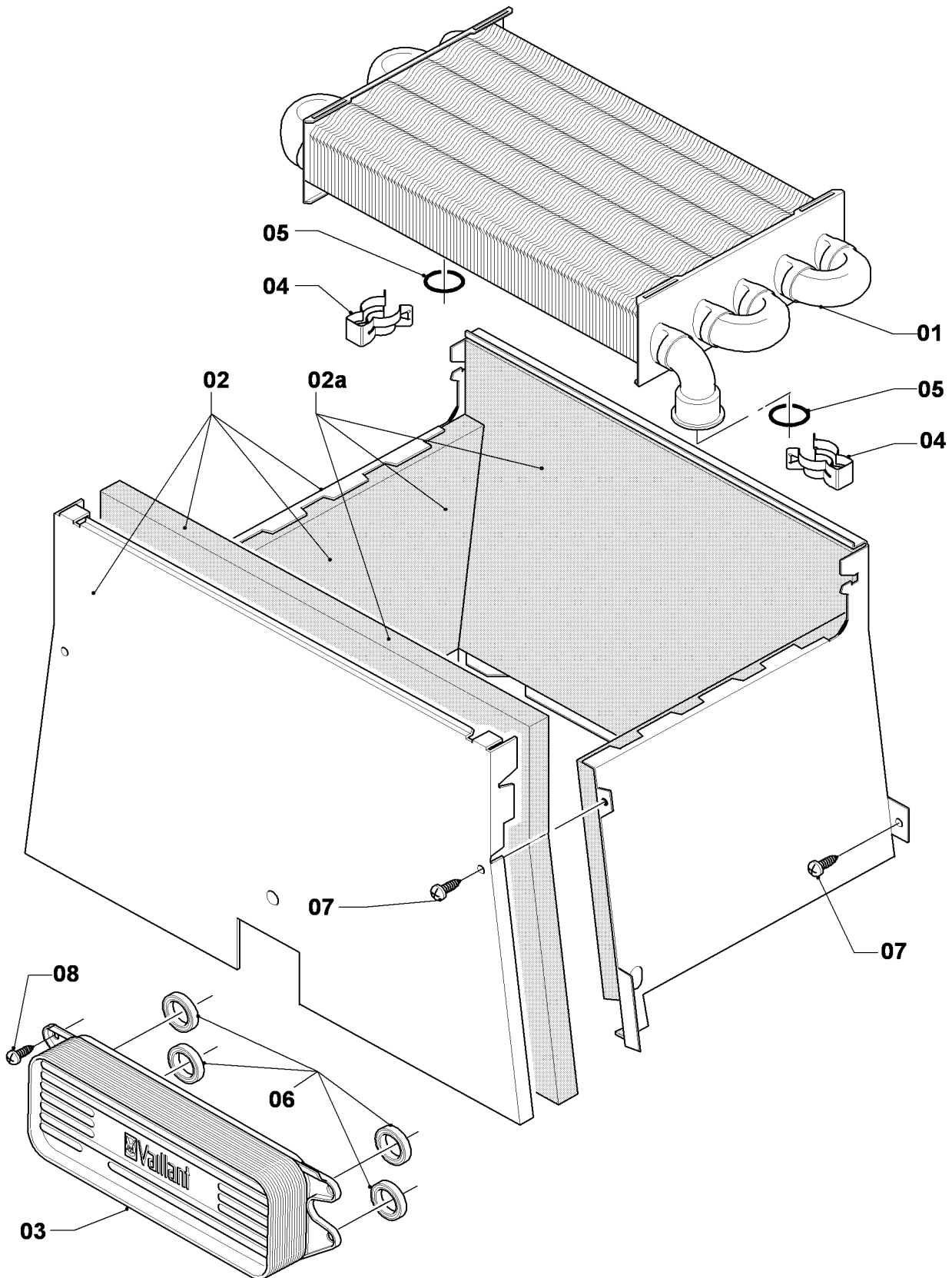
06 Heat exchanger

VUW 180/5-3, VUW 200/5-3, VUW 200/5-5, VUW 240/5-3, VUW 240/5-5, VUW 280/5-3, VUW 280/5-5 (inkl. R1)

Pos.	Art.-No / Teile-Nr.	Part / Bezeichnung	Type, note / Typ, Bemerkung
		0206051	
01	0020038152	Heat exchanger (82 fins)	VUW 180/5-3, with parts 04, 05
01	0020038152	Heat exchanger (82 fins)	VUW 180/5-3 R1, with parts 04, 05
01	0020038152	Heat exchanger (82 fins)	VUW 200/5-3, with parts 04, 05
01	0020038152	Heat exchanger (82 fins)	VUW 200/5-3 R1, with parts 04, 05
01	0020038152	Heat exchanger (82 fins)	VUW 200/5-5, with parts 04, 05
01	0020038152	Heat exchanger (82 fins)	VUW 200/5-5 R1, with parts 04, 05
01	0020019994	Heat exchanger (92 fins)	VUW 240/5-3, with parts 04, 05
01	0020019994	Heat exchanger (92 fins)	VUW 240/5-3 R1, with parts 04, 05
01	0020019994	Heat exchanger (92 fins)	VUW 240/5-5, with parts 04, 05
01	0020019994	Heat exchanger (92 fins)	VUW 240/5-5 R1, with parts 04, 05
01	0020039068	Heat exchanger (101 fins)	VUW 280/5-3, with parts 04, 05
01	0020039068	Heat exchanger (101 fins)	VUW 280/5-3 R1, with parts 04, 05
01	0020039068	Heat exchanger (101 fins)	VUW 280/5-5, with parts 04, 05
01	0020039068	Heat exchanger (101 fins)	VUW 280/5-5 R1, with parts 04, 05
02	0020038153	Combustion chamber	VUW 180/5-3, with part 07
02	0020038153	Combustion chamber	VUW 180/5-3 R1, with part 07
02	0020038153	Combustion chamber	VUW 200/5-3, with part 07
02	0020038153	Combustion chamber	VUW 200/5-3 R1, with part 07
02	0020038153	Combustion chamber	VUW 200/5-5, with part 07
02	0020038153	Combustion chamber	VUW 200/5-5 R1, with part 07
02	0020039070	Combustion chamber	VUW 240/5-3, with part 07
02	0020039070	Combustion chamber	VUW 240/5-3 R1, with part 07
02	0020039070	Combustion chamber	VUW 240/5-5, with part 07
02	0020039070	Combustion chamber	VUW 240/5-5 R1, with part 07
02	0020039071	Combustion chamber	VUW 280/5-3, with part 07
02	0020039071	Combustion chamber	VUW 280/5-3 R1, with part 07
02	0020039071	Combustion chamber	VUW 280/5-5, with part 07
02	0020039071	Combustion chamber	VUW 280/5-5 R1, with part 07
02a	0020082188	Insulation (set)	VUW 180/5-3
02a	0020082188	Insulation (set)	VUW 180/5-3 R1
02a	0020082188	Insulation (set)	VUW 200/5-3
02a	0020082188	Insulation (set)	VUW 200/5-3 R1
02a	0020082188	Insulation (set)	VUW 200/5-5
02a	0020082188	Insulation (set)	VUW 200/5-5 R1
02a	0020082190	Insulation (set)	VUW 240/5-3
02a	0020082190	Insulation (set)	VUW 240/5-3 R1
02a	0020082190	Insulation (set)	VUW 240/5-5
02a	0020082190	Insulation (set)	VUW 240/5-5 R1
02a	0020082191	Insulation (set)	VUW 280/5-3
02a	0020082191	Insulation (set)	VUW 280/5-3 R1
02a	0020082191	Insulation (set)	VUW 280/5-5
02a	0020082191	Insulation (set)	VUW 280/5-5 R1
03	0020020018	Heat exchanger DHW, 11 (13) plates	VUW 180/5-3, with parts 06, 08
03	0020020018	Heat exchanger DHW, 11 (13) plates	VUW 180/5-3 R1, with parts 06, 08
03	0020020018	Heat exchanger DHW, 11 (13) plates	VUW 200/5-3, with parts 06, 08
03	0020020018	Heat exchanger DHW, 11 (13) plates	VUW 200/5-3 R1, with parts 06, 08
03	0020038572	Heat exchanger dhw (19 plates)	VUW 200/5-5, with parts 06, 08
03	0020038572	Heat exchanger dhw (19 plates)	VUW 200/5-5 R1, with parts 06, 08
03	0020020018	Heat exchanger DHW, 11 (13) plates	VUW 240/5-3, with parts 06, 08
03	0020020018	Heat exchanger DHW, 11 (13) plates	VUW 240/5-3 R1, with parts 06, 08

06 Heat exchanger

VUW 180/5-3, VUW 200/5-3, VUW 200/5-5, VUW 240/5-3, VUW 240/5-5, VUW 280/5-3, VUW 280/5-5 (inkl. R1)



02 - 06 - 051.01

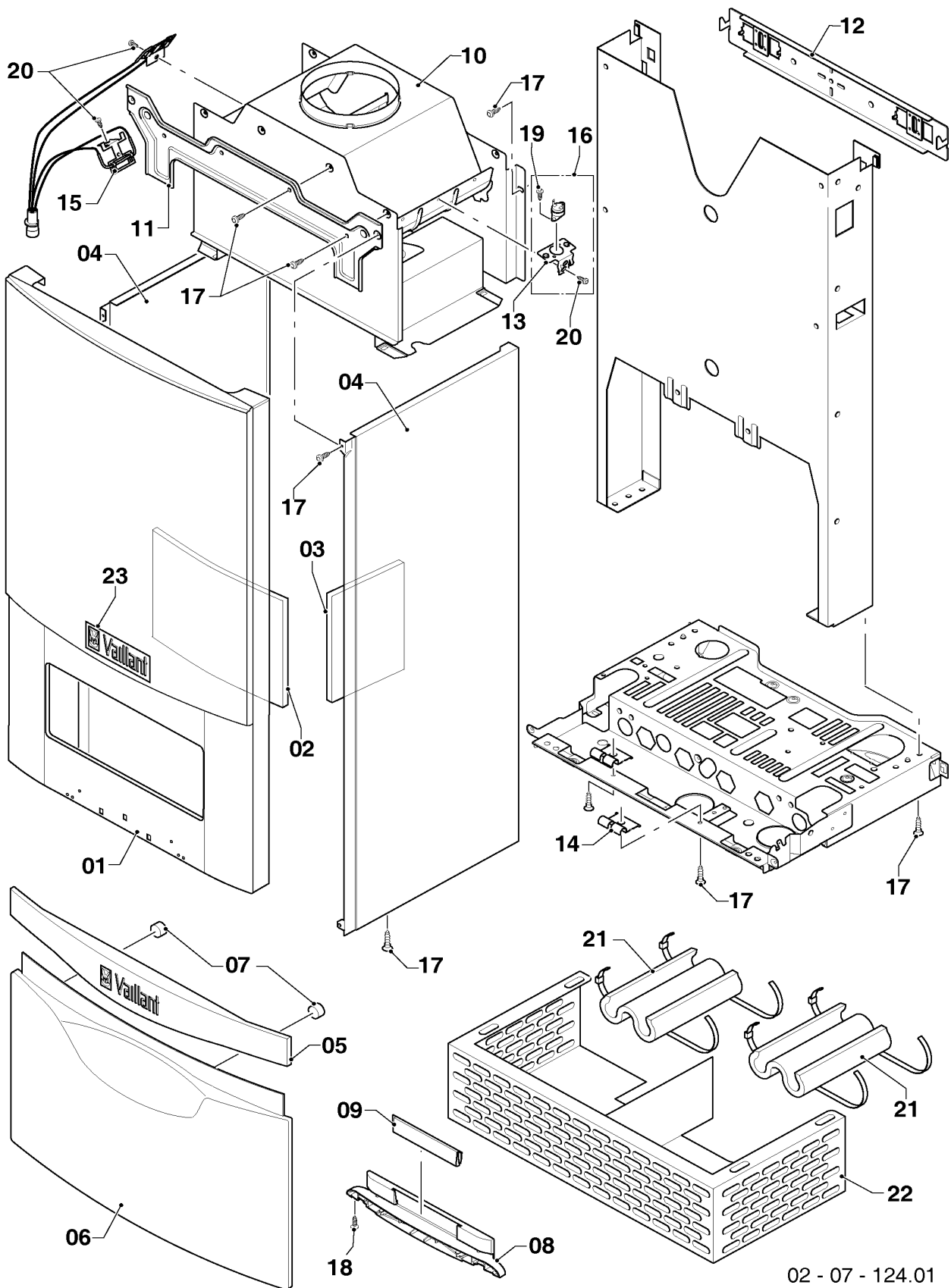
06 Heat exchanger

VUW 180/5-3, VUW 200/5-3, VUW 200/5-5, VUW 240/5-3, VUW 240/5-5, VUW 280/5-3, VUW 280/5-5 (inkl. R1)

Pos.	Art.-No / Teile-Nr.	Part / Bezeichnung	Type, note / Typ, Bemerkung
		0206051	
03	0020038572	Heat exchanger dhw (19 plates)	VUW 240/5-5, with parts 06, 08
03	0020038572	Heat exchanger dhw (19 plates)	VUW 240/5-5 R1, with parts 06, 08
03	0020020018	Heat exchanger DHW, 11 (13) plates	VUW 280/5-3, with parts 06, 08
03	0020020018	Heat exchanger DHW, 11 (13) plates	VUW 280/5-3 R1, with parts 06, 08
03	0020038572	Heat exchanger dhw (19 plates)	VUW 280/5-5, with parts 06, 08
03	0020038572	Heat exchanger dhw (19 plates)	VUW 280/5-5 R1, with parts 06, 08
04	219621	Spring clamp, (PK10)	
05	981151	O-ring, (PK10)	
06	178969	Gasket, C-type (PK10)	
07	0020136643	Screw, (PK10)	
08	178968	Screw, (PK10)	

07 Casing parts

VUW 180/5-3, VUW 200/5-3, VUW 200/5-5, VUW 240/5-3, VUW 240/5-5, VUW 280/5-3, VUW 280/5-5 (inkl. R1)



02 - 07 - 124.01

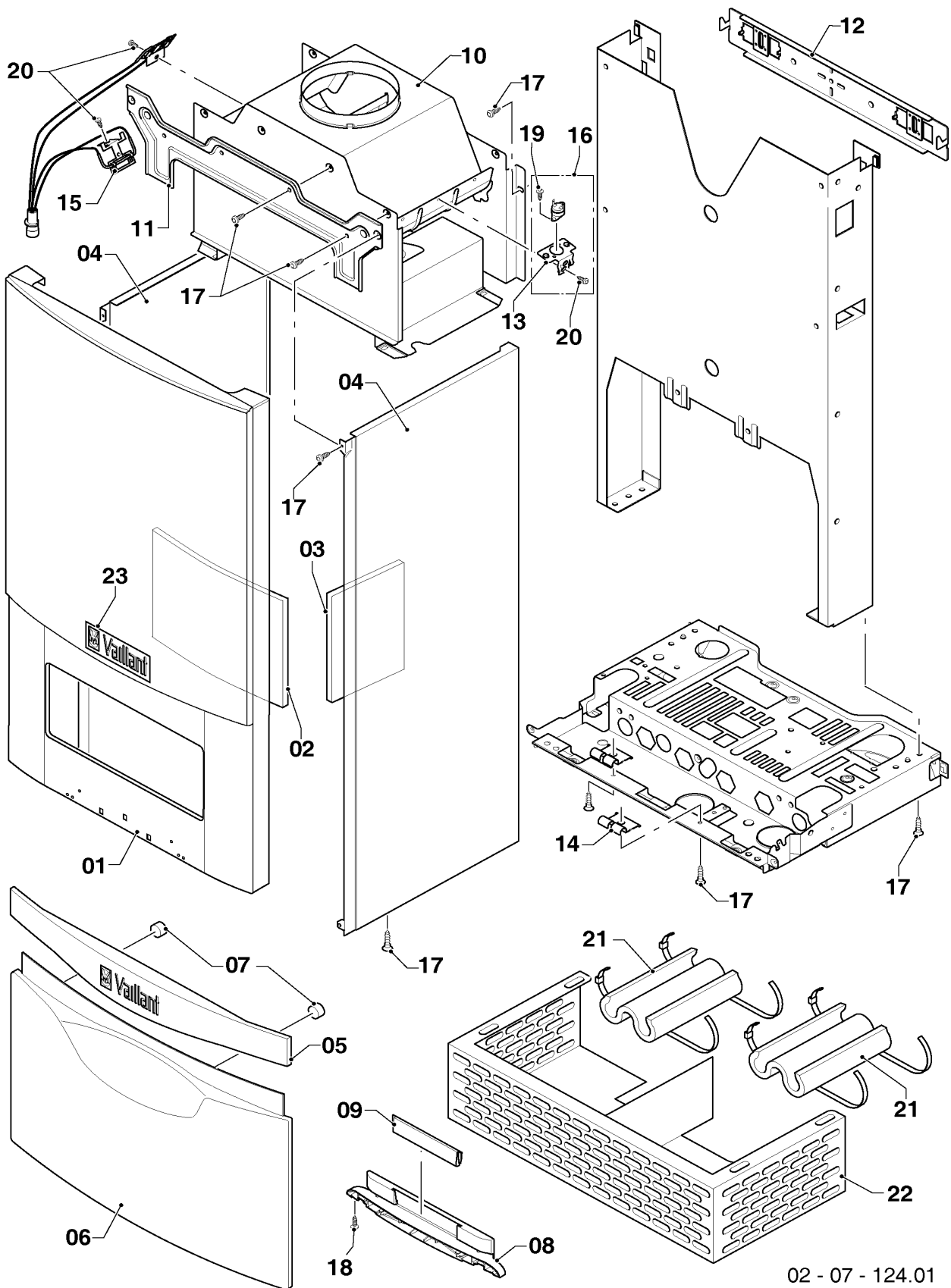
07 Casing parts

VUW 180/5-3, VUW 200/5-3, VUW 200/5-5, VUW 240/5-3, VUW 240/5-5, VUW 280/5-3, VUW 280/5-5 (inkl. R1)

Pos.	Art.-No / Teile-Nr.	Part / Bezeichnung	Type, note / Typ, Bemerkung
		0207124	
01	0020200696	Casing	VUW 180/5-3, with parts 02, 17
01	0020200696	Casing	VUW 180/5-3 R1, with parts 02, 17
01	0020200696	Casing	VUW 200/5-3, with parts 02, 17
01	0020200696	Casing	VUW 200/5-3 R1, with parts 02, 17
01	0020200693	Casing	VUW 200/5-5, with parts 02, 17
01	0020200693	Casing	VUW 200/5-5 R1, with parts 02, 17
01	0020200696	Casing	VUW 240/5-3, with parts 02, 17
01	0020200696	Casing	VUW 240/5-3 R1, with parts 02, 17
01	0020200693	Casing	VUW 240/5-5, with parts 02, 17
01	0020200693	Casing	VUW 240/5-5 R1, with parts 02, 17
01	0020200696	Casing	VUW 280/5-3, with parts 02, 17
01	0020200696	Casing	VUW 280/5-3 R1, with parts 02, 17
01	0020200693	Casing	VUW 280/5-5, with parts 02, 17
01	0020200693	Casing	VUW 280/5-5 R1, with parts 02, 17
02	0020216996	Insulation	VUW 180/5-3
02	0020216996	Insulation	VUW 180/5-3 R1
02	0020216996	Insulation	VUW 200/5-3
02	0020216996	Insulation	VUW 200/5-3 R1
02	0020216996	Insulation	VUW 200/5-5
02	0020216996	Insulation	VUW 200/5-5 R1
02	0020216996	Insulation	VUW 240/5-3
02	0020216996	Insulation	VUW 240/5-3 R1
02	0020216996	Insulation	VUW 240/5-5
02	0020216996	Insulation	VUW 240/5-5 R1
02	159114	Heat protection plate	VUW 280/5-3
02	159114	Heat protection plate	VUW 280/5-3 R1
02	159114	Heat protection plate	VUW 280/5-5
02	159114	Heat protection plate	VUW 280/5-5 R1
03	0020216974	Insulation plate	
04	0020039074	Side panel	with part 17
05	-	-	VUW 180/5-3, not for these appliances
05	-	-	VUW 180/5-3 R1, not for these appliances
05	-	-	VUW 200/5-3, not for these appliances
05	-	-	VUW 200/5-3 R1, not for these appliances
05	0020144609	Handle	VUW 200/5-5, with part 07
05	0020144609	Handle	VUW 200/5-5 R1, with part 07
05	-	-	VUW 240/5-3, not for these appliances
05	-	-	VUW 240/5-3 R1, not for these appliances
05	0020144609	Handle	VUW 240/5-5, with part 07
05	0020144609	Handle	VUW 240/5-5 R1, with part 07
05	-	-	VUW 280/5-3, not for these appliances
05	-	-	VUW 280/5-3 R1, not for these appliances
05	0020144609	Handle	VUW 280/5-5, with part 07
05	0020144609	Handle	VUW 280/5-5 R1, with part 07
06	-	-	VUW 180/5-3, not for these appliances
06	-	-	VUW 180/5-3 R1, not for these appliances
06	-	-	VUW 200/5-3, not for these appliances
06	-	-	VUW 200/5-3 R1, not for these appliances
06	0020200695	Flap, cover	VUW 200/5-5, with parts 05, 07, 08, 18
06	0020200695	Flap, cover	VUW 200/5-5 R1, with parts 05, 07, 08, 18

07 Casing parts

VUW 180/5-3, VUW 200/5-3, VUW 200/5-5, VUW 240/5-3, VUW 240/5-5, VUW 280/5-3, VUW 280/5-5 (inkl. R1)



02 - 07 - 124.01

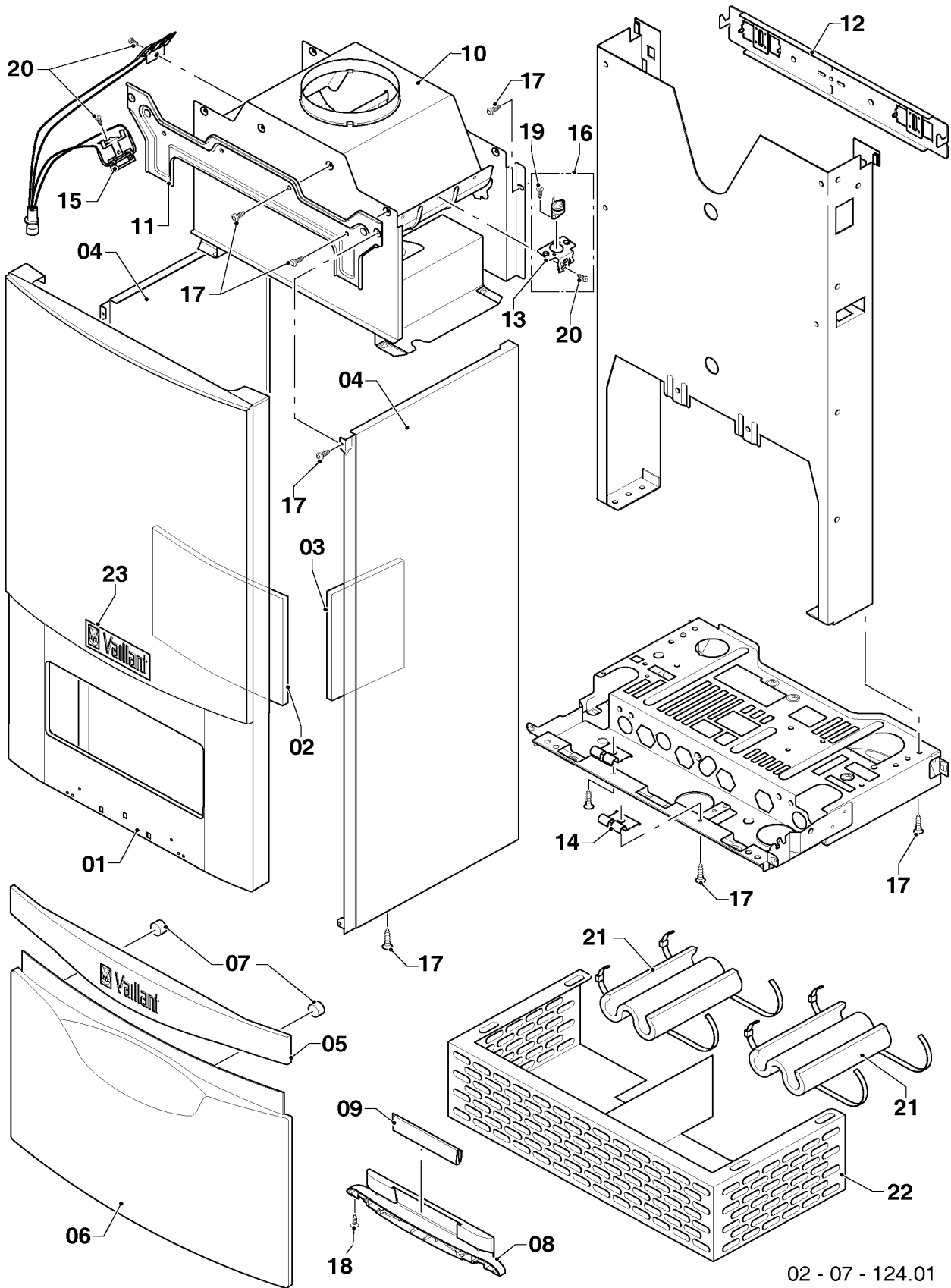
07 Casing parts

VUW 180/5-3, VUW 200/5-3, VUW 200/5-5, VUW 240/5-3, VUW 240/5-5, VUW 280/5-3, VUW 280/5-5 (inkl. R1)

Pos.	Art.-No / Teile-Nr.	Part / Bezeichnung	Type, note / Typ, Bemerkung
		0207124	
06	-	-	VUW 240/5-3, not for these appliances
06	-	-	VUW 240/5-3 R1, not for these appliances
06	0020200695	Flap, cover	VUW 240/5-5, with parts 05, 07, 08, 18
06	0020200695	Flap, cover	VUW 240/5-5 R1, with parts 05, 07, 08, 18
06	-	-	VUW 280/5-3, not for these appliances
06	-	-	VUW 280/5-3 R1, not for these appliances
06	0020200695	Flap, cover	VUW 280/5-5, with parts 05, 07, 08, 18
06	0020200695	Flap, cover	VUW 280/5-5 R1, with parts 05, 07, 08, 18
07	-	-	VUW 180/5-3, not for these appliances
07	-	-	VUW 180/5-3 R1, not for these appliances
07	-	-	VUW 200/5-3, not for these appliances
07	-	-	VUW 200/5-3 R1, not for these appliances
07	0020068136	Magnet, (PK2)	VUW 200/5-5
07	0020068136	Magnet, (PK2)	VUW 200/5-5 R1
07	-	-	VUW 240/5-3, not for these appliances
07	-	-	VUW 240/5-3 R1, not for these appliances
07	0020068136	Magnet, (PK2)	VUW 240/5-5
07	0020068136	Magnet, (PK2)	VUW 240/5-5 R1
07	-	-	VUW 280/5-3, not for these appliances
07	-	-	VUW 280/5-3 R1, not for these appliances
07	0020068136	Magnet, (PK2)	VUW 280/5-5
07	0020068136	Magnet, (PK2)	VUW 280/5-5 R1
08	-	-	VUW 180/5-3, not for these appliances
08	-	-	VUW 180/5-3 R1, not for these appliances
08	-	-	VUW 200/5-3, not for these appliances
08	-	-	VUW 200/5-3 R1, not for these appliances
08	0020144595	Hinge	VUW 200/5-5, with part 18
08	0020144595	Hinge	VUW 200/5-5 R1, with part 18
08	-	-	VUW 240/5-3, not for these appliances
08	-	-	VUW 240/5-3 R1, not for these appliances
08	0020144595	Hinge	VUW 240/5-5, with part 18
08	0020144595	Hinge	VUW 240/5-5 R1, with part 18
08	-	-	VUW 280/5-3, not for these appliances
08	-	-	VUW 280/5-3 R1, not for these appliances
08	0020144595	Hinge	VUW 280/5-5, with part 18
08	0020144595	Hinge	VUW 280/5-5 R1, with part 18
09	-	-	VUW 180/5-3, not for these appliances
09	-	-	VUW 180/5-3 R1, not for these appliances
09	-	-	VUW 200/5-3, not for these appliances
09	-	-	VUW 200/5-3 R1, not for these appliances
09	0020210120	Badge, blank	VUW 200/5-5
09	0020210120	Badge, blank	VUW 200/5-5 R1
09	-	-	VUW 240/5-3, not for these appliances
09	-	-	VUW 240/5-3 R1, not for these appliances
09	0020210120	Badge, blank	VUW 240/5-5
09	0020210120	Badge, blank	VUW 240/5-5 R1
09	-	-	VUW 280/5-3, not for these appliances
09	-	-	VUW 280/5-3 R1, not for these appliances
09	0020210120	Badge, blank	VUW 280/5-5
09	0020210120	Badge, blank	VUW 280/5-5 R1

07 Casing parts

VUW 180/5-3, VUW 200/5-3, VUW 200/5-5, VUW 240/5-3, VUW 240/5-5, VUW 280/5-3, VUW 280/5-5 (inkl. R1)



02 - 07 - 124.01

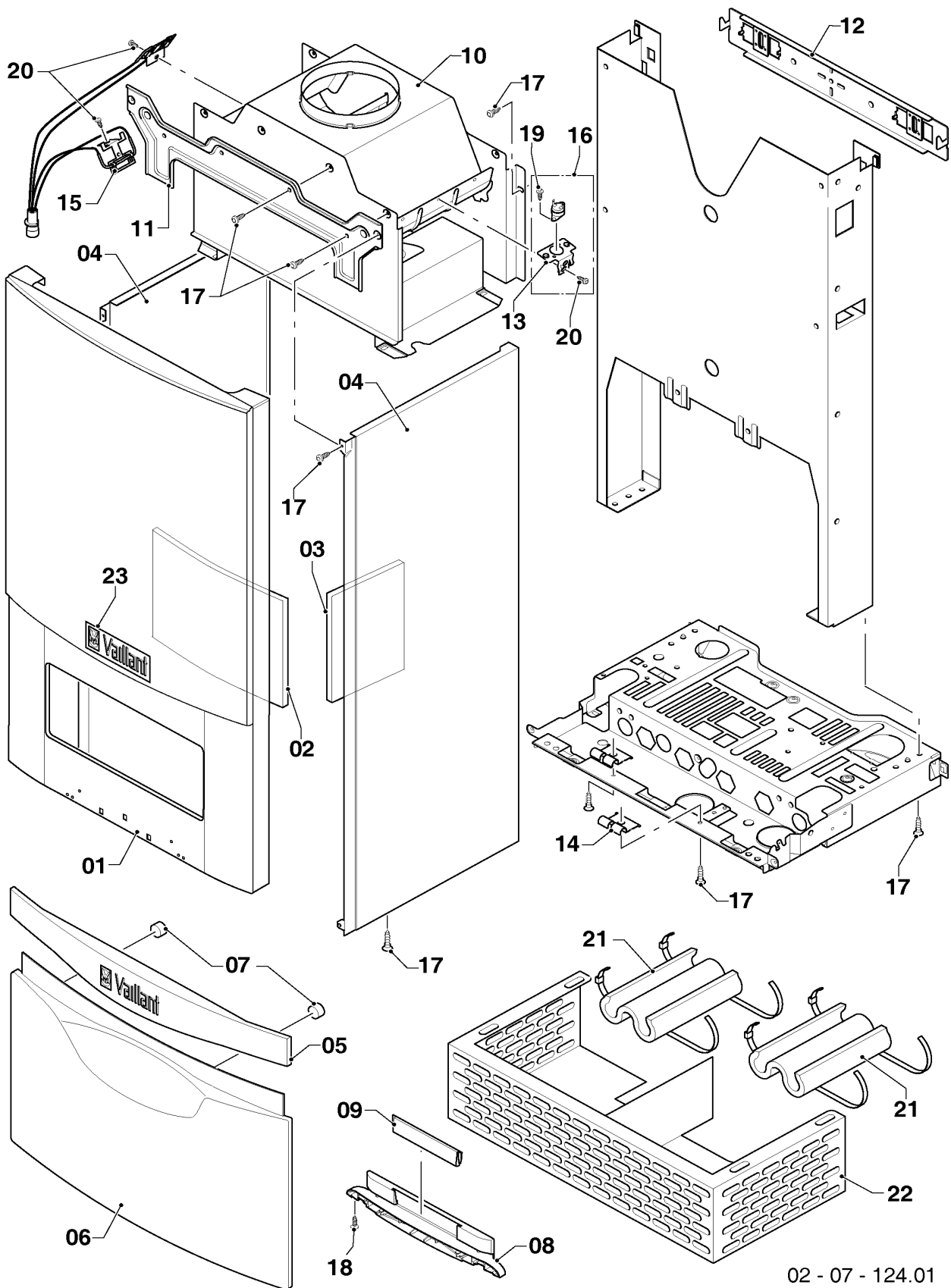
07 Casing parts

VUW 180/5-3, VUW 200/5-3, VUW 200/5-5, VUW 240/5-3, VUW 240/5-5, VUW 280/5-3, VUW 280/5-5 (inkl. R1)

Pos.	Art.-No / Teile-Nr.	Part / Bezeichnung	Type, note / Typ, Bemerkung
		0207124	
10	0020216967	Draught diverter	VUW 180/5-3, with parts 17, 20
10	0020216967	Draught diverter	VUW 180/5-3 R1, with parts 17, 20
10	0020216967	Draught diverter	VUW 200/5-3, with parts 17, 20
10	0020216967	Draught diverter	VUW 200/5-3 R1, with parts 17, 20
10	0020216967	Draught diverter	VUW 200/5-5, with parts 17, 20
10	0020216967	Draught diverter	VUW 200/5-5 R1, with parts 17, 20
10	0020216968	Draught diverter	VUW 240/5-3, with parts 17, 20
10	0020216968	Draught diverter	VUW 240/5-3 R1, with parts 17, 20
10	0020216968	Draught diverter	VUW 240/5-5, with parts 17, 20
10	0020216968	Draught diverter	VUW 240/5-5 R1, with parts 17, 20
10	0020216966	Draught diverter	VUW 280/5-3, with parts 17, 20
10	0020216966	Draught diverter	VUW 280/5-3 R1, with parts 17, 20
10	0020216966	Draught diverter	VUW 280/5-5, with parts 17, 20
10	0020216966	Draught diverter	VUW 280/5-5 R1, with parts 17, 20
11	0020210119	Support	with part 17
12	0020039072	Support	
13	-	-	not available as spare part, please order pos. 16
14	0020144611	Support, control box (PK2)	with part 17
15	0020039083	Sensor flue gas	VUW 180/5-3, with part 20
15	0020261470	Flue sensor	VUW 180/5-3 R1, with part 20
15	0020039083	Sensor flue gas	VUW 200/5-3, with part 20
15	0020261470	Flue sensor	VUW 200/5-3 R1, with part 20
15	0020039083	Sensor flue gas	VUW 200/5-5, with part 20
15	0020261470	Flue sensor	VUW 200/5-5 R1, with part 20
15	0020039083	Sensor flue gas	VUW 240/5-3, with part 20
15	0020261470	Flue sensor	VUW 240/5-3 R1, with part 20
15	0020039083	Sensor flue gas	VUW 240/5-5, with part 20
15	0020261470	Flue sensor	VUW 240/5-5 R1, with part 20
15	0020039083	Sensor flue gas	VUW 280/5-3, with part 20
15	0020261470	Flue sensor	VUW 280/5-3 R1, with part 20
15	0020039083	Sensor flue gas	VUW 280/5-5, with part 20
15	0020261470	Flue sensor	VUW 280/5-5 R1, with part 20
16	0020265142	Sensor, kit	VUW 180/5-3
16	0020265142	Sensor, kit	VUW 180/5-3 R1
16	0020265142	Sensor, kit	VUW 200/5-3
16	0020265142	Sensor, kit	VUW 200/5-3 R1
16	0020265142	Sensor, kit	VUW 200/5-5
16	0020265142	Sensor, kit	VUW 200/5-5 R1
16	0020265144	Sensor, kit	VUW 240/5-3
16	0020265144	Sensor, kit	VUW 240/5-3 R1
16	0020265144	Sensor, kit	VUW 240/5-5
16	0020265144	Sensor, kit	VUW 240/5-5 R1
16	0020265146	Sensor, kit	VUW 280/5-3
16	0020265146	Sensor, kit	VUW 280/5-3 R1
16	0020265146	Sensor, kit	VUW 280/5-5
16	0020265146	Sensor, kit	VUW 280/5-5 R1
17	0020136643	Screw, (PK10)	
18	-	-	VUW 180/5-3, not for these appliances
18	-	-	VUW 180/5-3 R1, not for these appliances
18	-	-	VUW 200/5-3, not for these appliances
18	-	-	VUW 200/5-3 R1, not for these appliances
18	193538	Screw, (PK10)	VUW 200/5-5
18	193538	Screw, (PK10)	VUW 200/5-5 R1
18	-	-	VUW 240/5-3, not for these appliances
18	-	-	VUW 240/5-3 R1, not for these appliances

07 Casing parts

VUW 180/5-3, VUW 200/5-3, VUW 200/5-5, VUW 240/5-3, VUW 240/5-5, VUW 280/5-3, VUW 280/5-5 (inkl. R1)



02 - 07 - 124.01

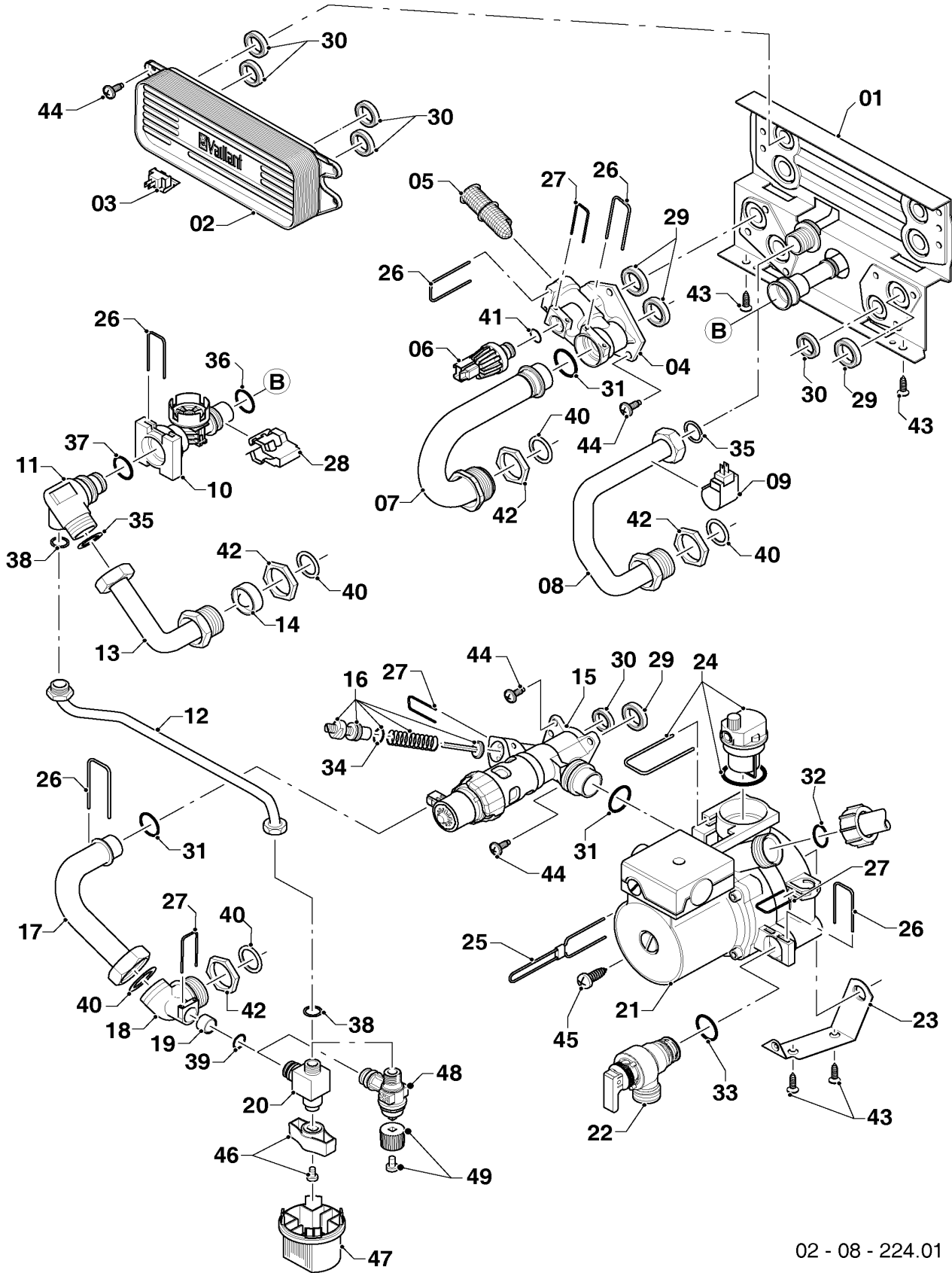
07 Casing parts

VUW 180/5-3, VUW 200/5-3, VUW 200/5-5, VUW 240/5-3, VUW 240/5-5, VUW 280/5-3, VUW 280/5-5 (inkl. R1)

Pos.	Art.-No / Teile-Nr.	Part / Bezeichnung	Type, note / Typ, Bemerkung
		0207124	
18	193538	Screw, (PK10)	VUW 240/5-5
18	193538	Screw, (PK10)	VUW 240/5-5 R1
18	-	-	VUW 280/5-3, not for these appliances
18	-	-	VUW 280/5-3 R1, not for these appliances
18	193538	Screw, (PK10)	VUW 280/5-5
18	193538	Screw, (PK10)	VUW 280/5-5 R1
19	-	-	not available as spare part, please order pos. 16
20	108542	Screw, (PK10)	
21	076629	Insulation, (PK2)	only for balcony
22	0020039085	Cover wind protection	only for balcony
23	118096	Badge, kit	VUW 180/5-3
23	118096	Badge, kit	VUW 180/5-3 R1
23	118096	Badge, kit	VUW 200/5-3
23	118096	Badge, kit	VUW 200/5-3 R1
23	-	-	VUW 200/5-5, not for these appliances
23	-	-	VUW 200/5-5 R1, not for these appliances
23	118096	Badge, kit	VUW 240/5-3
23	118096	Badge, kit	VUW 240/5-3 R1
23	-	-	VUW 240/5-5, not for these appliances
23	-	-	VUW 240/5-5 R1, not for these appliances
23	118096	Badge, kit	VUW 280/5-3
23	118096	Badge, kit	VUW 280/5-3 R1
23	-	-	VUW 280/5-5, not for these appliances
23	-	-	VUW 280/5-5 R1, not for these appliances

08a Hydraulic parts

VUW 180/5-3, VUW 200/5-3, VUW 200/5-5, VUW 240/5-3, VUW 240/5-5, VUW 280/5-3, VUW 280/5-5 (inkl. R1)



02 - 08 - 224.01

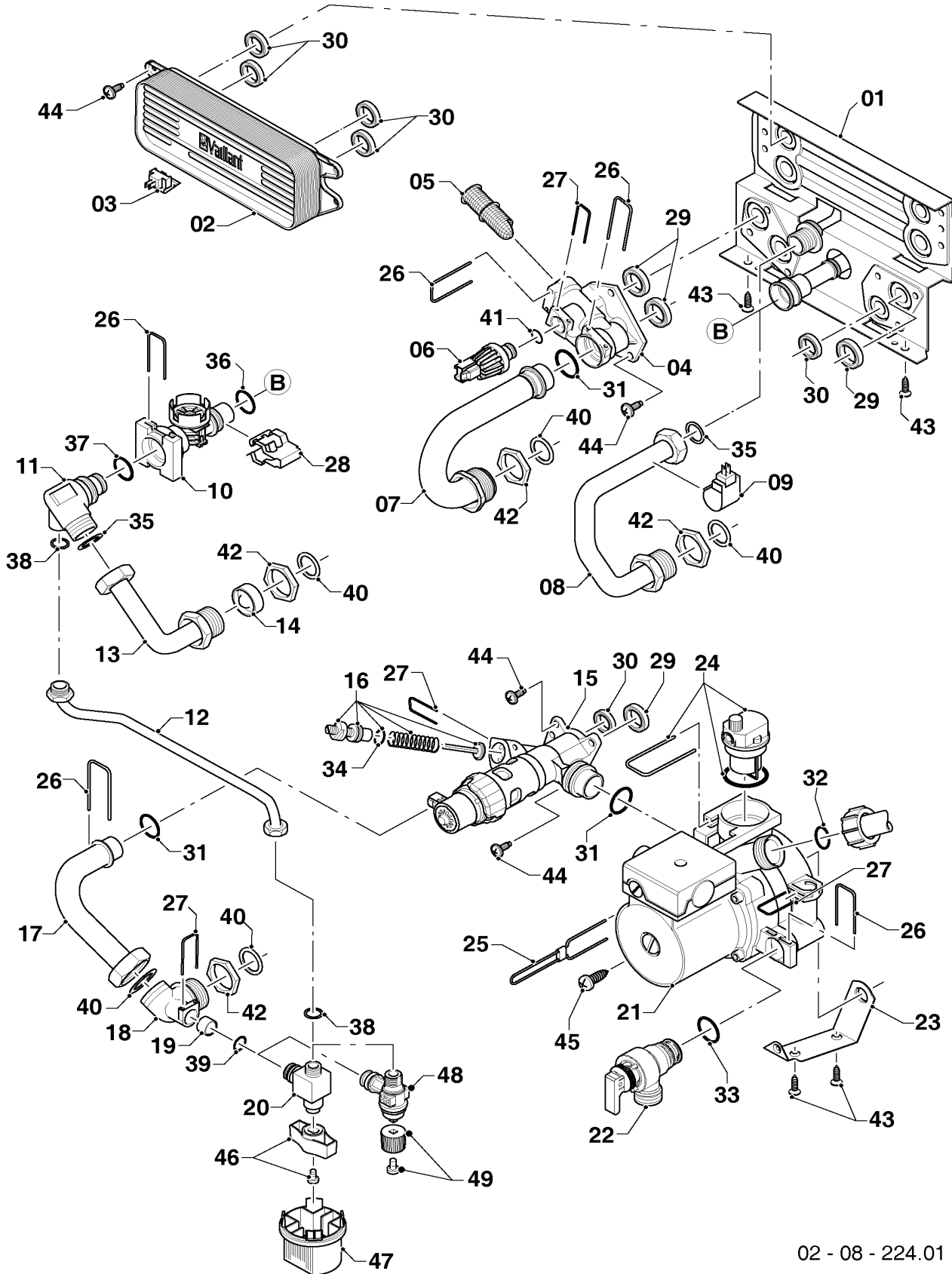
08a Hydraulic parts

VUW 180/5-3, VUW 200/5-3, VUW 200/5-5, VUW 240/5-3, VUW 240/5-5, VUW 280/5-3, VUW 280/5-5 (inkl. R1)

Pos.	Art.-No / Teile-Nr.	Part / Bezeichnung	Type, note / Typ, Bemerkung
		0208224	
01	178965	Support	with parts 28,29,30,31,35,36,40,43,44
02	0020020018	Heat exchanger DHW, 11 (13) plates	VUW 180/5-3, with parts 30, 44
02	0020020018	Heat exchanger DHW, 11 (13) plates	VUW 180/5-3 R1, with parts 30, 44
02	0020020018	Heat exchanger DHW, 11 (13) plates	VUW 200/5-3, with parts 30, 44
02	0020020018	Heat exchanger DHW, 11 (13) plates	VUW 200/5-3 R1, with parts 30, 44
02	0020038572	Heat exchanger dhw (19 plates)	VUW 200/5-5, with parts 30, 44
02	0020038572	Heat exchanger dhw (19 plates)	VUW 200/5-5 R1, with parts 30, 44
02	0020020018	Heat exchanger DHW, 11 (13) plates	VUW 240/5-3, with parts 30, 44
02	0020020018	Heat exchanger DHW, 11 (13) plates	VUW 240/5-3 R1, with parts 30, 44
02	0020038572	Heat exchanger dhw (19 plates)	VUW 240/5-5, with parts 30, 44
02	0020038572	Heat exchanger dhw (19 plates)	VUW 240/5-5 R1, with parts 30, 44
02	0020020018	Heat exchanger DHW, 11 (13) plates	VUW 280/5-3, with parts 30, 44
02	0020020018	Heat exchanger DHW, 11 (13) plates	VUW 280/5-3 R1, with parts 30, 44
02	0020038572	Heat exchanger dhw (19 plates)	VUW 280/5-5, with parts 30, 44
02	0020038572	Heat exchanger dhw (19 plates)	VUW 280/5-5 R1, with parts 30, 44
03	103430	Sensor NTC, DHW heat exchanger	
04	179031	Connection, brass	only for RU,UA,VE-RU, with parts 05,26,27,29,31,41,44
04	0020140559	Connection, composite	only for SEE-INT,TR,AR,IR, with parts 05,26,27,29,31,41,44
05	179030	Filter	with parts 26, 31
06	0020059717	Sensor (water pressure)	with parts 27, 41
07	179033	Pipe	with parts 31, 40, 42
08	179034	Pipe	with parts 35, 40, 42
09	103429	Sensor NTC, DHW outlet pipe	
10	178988	Flow sensor	with parts 26, 28, 36, 37
11	0020018067	Connection piece	with parts 26, 35, 37, 38
12	0020018066	Tube	with part 38
13	179037	Pipe	with parts 14, 35, 40, 42
14	074514	Filter	
15	0020132683	Diverter valve, brass	only for RU,UA,VE-RU, with parts 16,26,27,29,30,31,44
15	0020020015	Diverter valve, plastic	only for SEE-INT,TR,AR,IR, with parts 16,26,27,29,30,31,44
16	178980	Bypass	with part 27
17	179036	Pipe	with parts 31, 40
18	0020018068	Connection piece	with parts 39, 40, 42
19	0020018064	Ball valve	
20	0020018065	Ventil, filling	with parts 38, 39, 46
21	0020213167	Pump	with parts 23,24,26,27,31,32,33,43,45
22	178985	Pressure relief valve, 3 bar	with parts 26, 33
23	178984	Support	with parts 43, 45
24	104521	Automatic de-aerator	
25	178981	Clip	
26	178992	Clip, (PK10)	
27	0020107694	Clip, (PK5)	
28	178966	Clip	
29	193535	Gasket, C-type (PK10)	
30	178969	Gasket, C-type (PK10)	
31	193537	O-ring, (PK10)	
32	193539	O-ring, (PK10)	
33	178986	O-ring, (PK10)	
34	981165	O-ring, (PK10)	
35	981142	Sealing ring, (PK10)	
36	178991	O-ring, (PK10)	

08a Hydraulic parts

VUW 180/5-3, VUW 200/5-3, VUW 200/5-5, VUW 240/5-3, VUW 240/5-5, VUW 280/5-3, VUW 280/5-5 (inkl. R1)



02 - 08 - 224.01

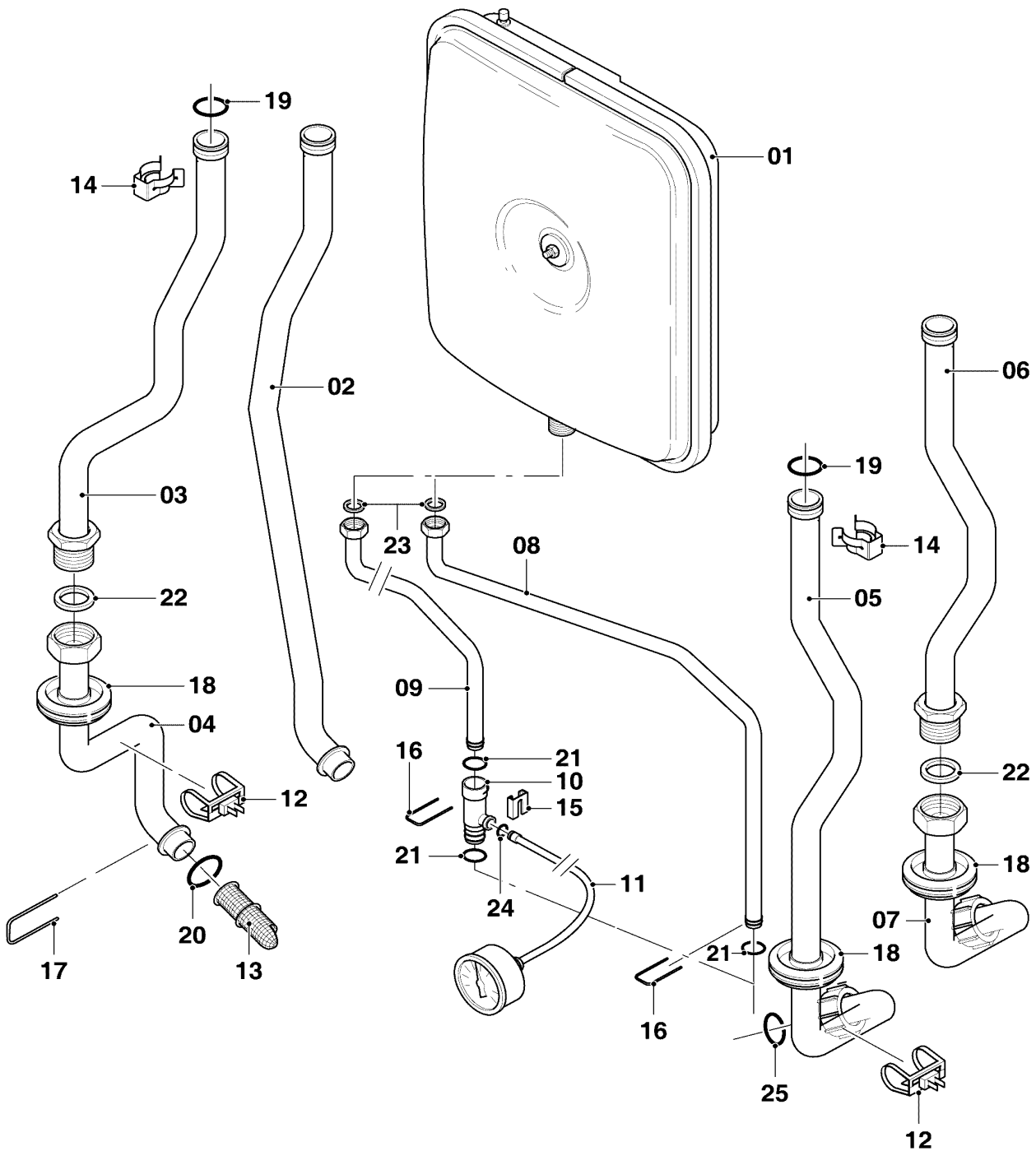
08a Hydraulic parts

VUW 180/5-3, VUW 200/5-3, VUW 200/5-5, VUW 240/5-3, VUW 240/5-5, VUW 280/5-3, VUW 280/5-5 (inkl. R1)

Pos.	Art.-No / Teile-Nr.	Part / Bezeichnung	Type, note / Typ, Bemerkung
		0208224	
37	981163	O-ring, (PK10)	
38	981146	Sealing ring, (PK10)	
39	981154	O-ring, (PK10)	
40	981140	Sealing ring, 3/4 (PK10)	
41	178993	O-ring, (PK10)	
42	193598	Nut, (PK4)	
43	0020107695	Screw, (PK10)	
44	178968	Screw, (PK10)	
45	0020133833	Screw, (PK10)	
46	0020010292	Handle, (PK2)	
47	0020051043	Handle	
48	0020265137	Valve, filling	with parts 38, 39, 49
49	0020265138	Handle	

08b Hydraulic parts

VUW 180/5-3, VUW 200/5-3, VUW 200/5-5, VUW 240/5-3, VUW 240/5-5, VUW 280/5-3, VUW 280/5-5 (inkl. R1)



02-08-142.02

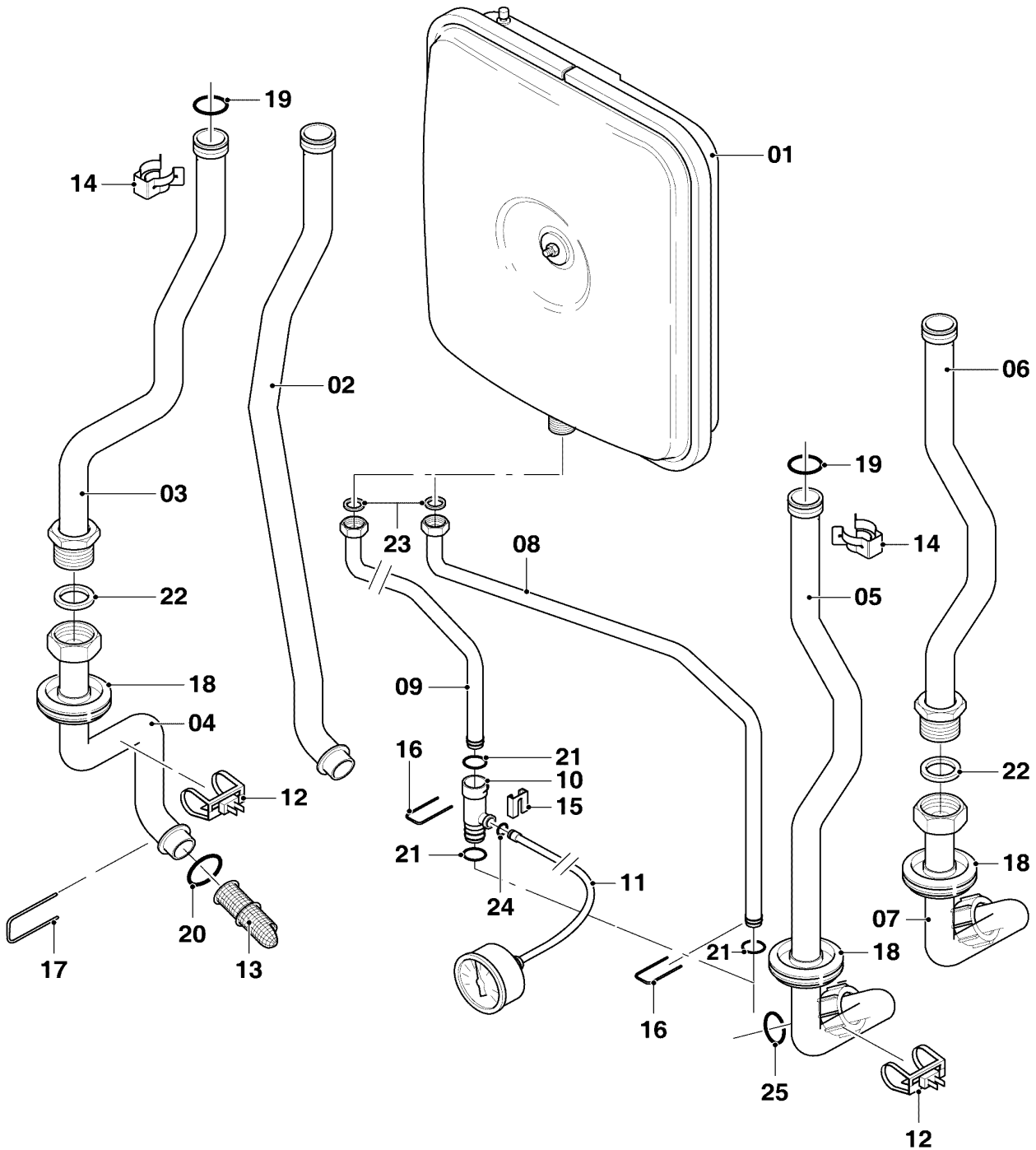
08b Hydraulic parts

VUW 180/5-3, VUW 200/5-3, VUW 200/5-5, VUW 240/5-3, VUW 240/5-5, VUW 280/5-3, VUW 280/5-5 (inkl. R1)

Pos.	Art.-No / Teile-Nr.	Part / Bezeichnung	Type, note / Typ, Bemerkung
		0208142	
01	181061	Expansion vessel 6 ltr.	VUW 180/5-3
01	181061	Expansion vessel 6 ltr.	VUW 180/5-3 R1
01	181061	Expansion vessel 6 ltr.	VUW 200/5-3
01	181061	Expansion vessel 6 ltr.	VUW 200/5-3 R1
01	181057	Expansion vessel 10 ltr.	VUW 200/5-5
01	181057	Expansion vessel 10 ltr.	VUW 200/5-5 R1
01	181061	Expansion vessel 6 ltr.	VUW 240/5-3
01	181061	Expansion vessel 6 ltr.	VUW 240/5-3 R1
01	181057	Expansion vessel 10 ltr.	VUW 240/5-5
01	181057	Expansion vessel 10 ltr.	VUW 240/5-5 R1
01	181061	Expansion vessel 6 ltr.	VUW 280/5-3
01	181061	Expansion vessel 6 ltr.	VUW 280/5-3 R1
01	181057	Expansion vessel 10 ltr.	VUW 280/5-5
01	181057	Expansion vessel 10 ltr.	VUW 280/5-5 R1
02	0020041916	Tube 12+20kW atmo	VUW 180/5-3, with parts 14, 17, 19, 20
02	0020041916	Tube 12+20kW atmo	VUW 180/5-3 R1, with parts 14, 17, 19, 20
02	0020041916	Tube 12+20kW atmo	VUW 200/5-3, with parts 14, 17, 19, 20
02	0020041916	Tube 12+20kW atmo	VUW 200/5-3 R1, with parts 14, 17, 19, 20
02	0020041916	Tube 12+20kW atmo	VUW 200/5-5, with parts 14, 17, 19, 20
02	0020041916	Tube 12+20kW atmo	VUW 200/5-5 R1, with parts 14, 17, 19, 20
02	0020041917	Tube 24kW atmo	VUW 240/5-3, with parts 14, 17, 19, 20
02	0020041917	Tube 24kW atmo	VUW 240/5-3 R1, with parts 14, 17, 19, 20
02	0020041917	Tube 24kW atmo	VUW 240/5-5, with parts 14, 17, 19, 20
02	0020041917	Tube 24kW atmo	VUW 240/5-5 R1, with parts 14, 17, 19, 20
02	0020041918	Tube 28kW atmo	VUW 280/5-3, with parts 14, 17, 19, 20
02	0020041918	Tube 28kW atmo	VUW 280/5-3 R1, with parts 14, 17, 19, 20
02	0020041918	Tube 28kW atmo	VUW 280/5-5, with parts 14, 17, 19, 20
02	0020041918	Tube 28kW atmo	VUW 280/5-5 R1, with parts 14, 17, 19, 20
03	-	-	not for these appliances
04	-	-	not for these appliances
05	0020041924	Tube 12+20kW atmo	VUW 180/5-3, with parts 14, 19, 25
05	0020041924	Tube 12+20kW atmo	VUW 180/5-3 R1, with parts 14, 19, 25
05	0020041924	Tube 12+20kW atmo	VUW 200/5-3, with parts 14, 19, 25
05	0020041924	Tube 12+20kW atmo	VUW 200/5-3 R1, with parts 14, 19, 25
05	0020041924	Tube 12+20kW atmo	VUW 200/5-5, with parts 14, 19, 25
05	0020041924	Tube 12+20kW atmo	VUW 200/5-5 R1, with parts 14, 19, 25
05	0020041925	Tube 24kW atmo	VUW 240/5-3, with parts 14, 19, 25
05	0020041925	Tube 24kW atmo	VUW 240/5-3 R1, with parts 14, 19, 25
05	0020041925	Tube 24kW atmo	VUW 240/5-5, with parts 14, 19, 25
05	0020041925	Tube 24kW atmo	VUW 240/5-5 R1, with parts 14, 19, 25
05	0020041926	Tube 28kW atmo	VUW 280/5-3, with parts 14, 19, 25
05	0020041926	Tube 28kW atmo	VUW 280/5-3 R1, with parts 14, 19, 25
05	0020041926	Tube 28kW atmo	VUW 280/5-5, with parts 14, 19, 25
05	0020041926	Tube 28kW atmo	VUW 280/5-5 R1, with parts 14, 19, 25
06	-	-	not for these appliances
07	-	-	not for these appliances
08	0020041914	Tube	with parts 16, 21, 23
09	0020041915	Tube	with parts 16, 21, 23
10	0020023812	Adapter manometer	with parts 15, 16, 21, 24
11	101271	Pressure gauge	with parts 15, 24
12	0020068120	Sensor, NTC 19mm	

08b Hydraulic parts

VUW 180/5-3, VUW 200/5-3, VUW 200/5-5, VUW 240/5-3, VUW 240/5-5, VUW 280/5-3, VUW 280/5-5 (inkl. R1)



02-08-142.02

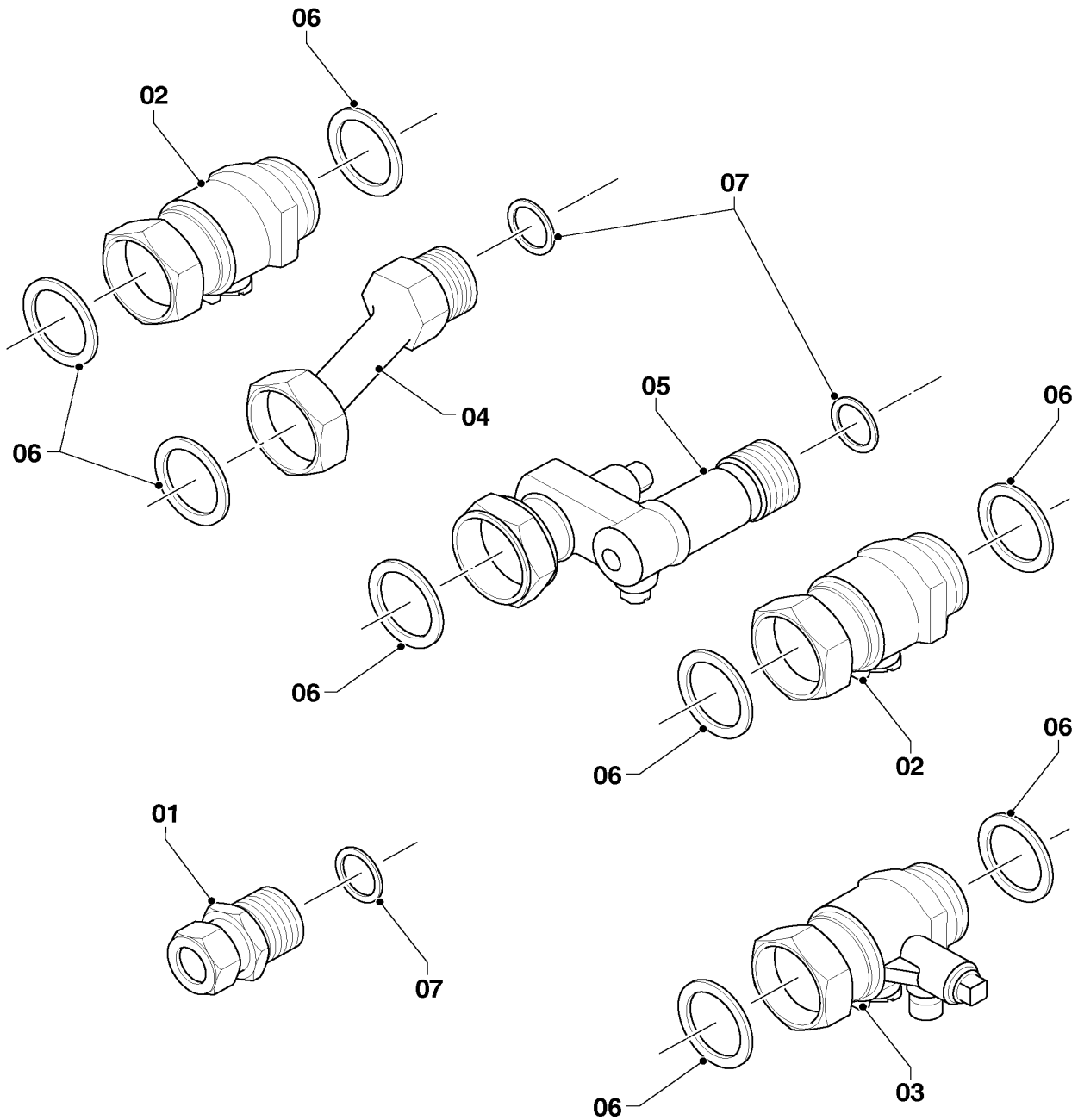
08b Hydraulic parts

VUW 180/5-3, VUW 200/5-3, VUW 200/5-5, VUW 240/5-3, VUW 240/5-5, VUW 280/5-3, VUW 280/5-5 (inkl. R1)

Pos.	Art.-No / Teile-Nr.	Part / Bezeichnung	Type, note / Typ, Bemerkung
		0208142	
13	179030	Filter	with parts 17, 20
14	219621	Spring clamp, (PK10)	
15	0020107709	Support	not for TR
16	0020107694	Clip, (PK5)	
17	178992	Clip, (PK10)	
18	-	-	not for these appliances
19	981151	O-ring, (PK10)	
20	193537	O-ring, (PK10)	
21	178993	O-ring, (PK10)	
22	-	-	not for these appliances
23	981149	Sealing ring, (PK10)	
24	981155	O-ring, (PK10)	not for TR
25	193539	O-ring, (PK10)	

08c Connecting accessories

VUW 180/5-3, VUW 200/5-3, VUW 200/5-5, VUW 240/5-3, VUW 240/5-5, VUW 280/5-3, VUW 280/5-5 (inkl. R1)



02 - 08 - 220

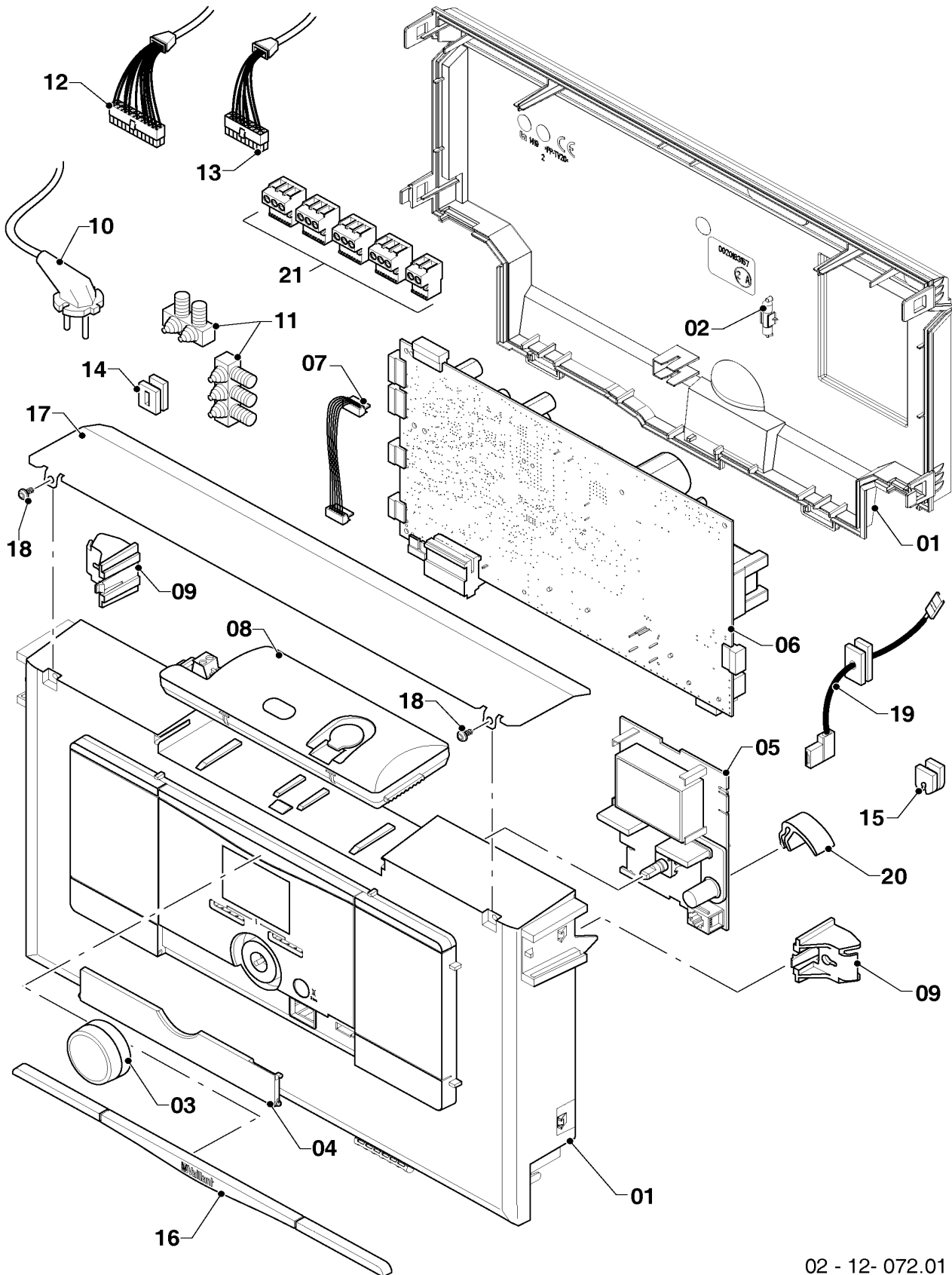
08c Connecting accessories

VUW 180/5-3, VUW 200/5-3, VUW 200/5-5, VUW 240/5-3, VUW 240/5-5, VUW 280/5-3, VUW 280/5-5 (inkl. R1)

Pos.	Art.-No / Teile-Nr.	Part / Bezeichnung	Type, note / Typ, Bemerkung
		0208220	
01	0020216971	Compression fitting	
02	0020221260	Service valve	with part 06
03	0020057433	Valve	with part 06
04	0020221261	Connection piece	with part 06
05	0020234870	Valve	with parts 06, 07
06	981140	Sealing ring, 3/4 (PK10)	
07	981142	Sealing ring, (PK10)	

12 Control box

VUW 180/5-3, VUW 200/5-3, VUW 200/5-5, VUW 240/5-3, VUW 240/5-5, VUW 280/5-3, VUW 280/5-5 (inkl. R1)



02 - 12- 072.01

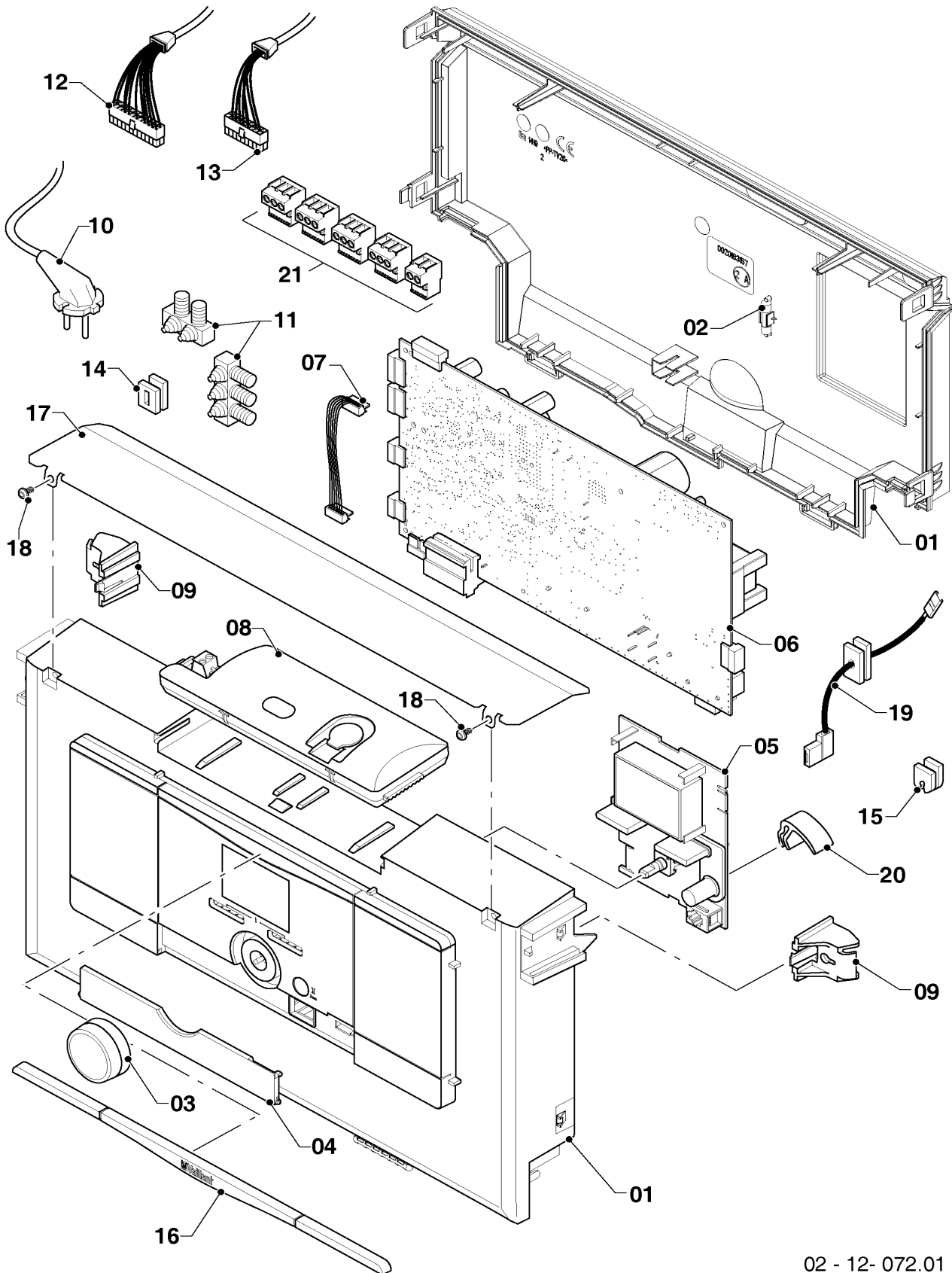
12 Control box

VUW 180/5-3, VUW 200/5-3, VUW 200/5-5, VUW 240/5-3, VUW 240/5-5, VUW 280/5-3, VUW 280/5-5 (inkl. R1)

Pos.	Art.-No / Teile-Nr.	Part / Bezeichnung	Type, note / Typ, Bemerkung
		0212072	
01	0020216300	Housing front (pro)	VUW 180/5-3, with parts 02, 03, 04
01	0020216300	Housing front (pro)	VUW 180/5-3 R1, with parts 02, 03, 04, 16
01	0020216300	Housing front (pro)	VUW 200/5-3, with parts 02, 03, 04
01	0020216300	Housing front (pro)	VUW 200/5-3 R1, with parts 02, 03, 04, 16
01	0020216296	Housing front (plus)	VUW 200/5-5, with parts 02, 03, 04, 16
01	0020216296	Housing front (plus)	VUW 200/5-5 R1, with parts 02, 03, 04, 16
01	0020216300	Housing front (pro)	VUW 240/5-3, with parts 02, 03, 04
01	0020216300	Housing front (pro)	VUW 240/5-3 R1, with parts 02, 03, 04, 16
01	0020216296	Housing front (plus)	VUW 240/5-5, with parts 02, 03, 04, 16
01	0020216296	Housing front (plus)	VUW 240/5-5 R1, with parts 02, 03, 04, 16
01	0020216300	Housing front (pro)	VUW 280/5-3, with parts 02, 03, 04
01	0020216300	Housing front (pro)	VUW 280/5-3 R1, with parts 02, 03, 04, 16
01	0020216296	Housing front (plus)	VUW 280/5-5, with parts 02, 03, 04, 16
01	0020216296	Housing front (plus)	VUW 280/5-5 R1, with parts 02, 03, 04, 16
02	0020067507	Fuse, 2,0 A T2H (PK10)	
03	0020213174	Knob.	
04	0020216972	Flap (kit)	
05	0020202561	Display Pro	VUW 180/5-3
05	0020202561	Display Pro	VUW 180/5-3 R1
05	0020202561	Display Pro	VUW 200/5-3
05	0020202561	Display Pro	VUW 200/5-3 R1
05	0020202560	Display Plus	VUW 200/5-5
05	0020202560	Display Plus	VUW 200/5-5 R1
05	0020202561	Display Pro	VUW 240/5-3
05	0020202561	Display Pro	VUW 240/5-3 R1
05	0020202560	Display Plus	VUW 240/5-5
05	0020202560	Display Plus	VUW 240/5-5 R1
05	0020202561	Display Pro	VUW 280/5-3
05	0020202561	Display Pro	VUW 280/5-3 R1
05	0020202560	Display Plus	VUW 280/5-5
05	0020202560	Display Plus	VUW 280/5-5 R1
06	0020202559	PCB	VUW 180/5-3
06	0020254534	PCB	VUW 180/5-3 R1
06	0020202559	PCB	VUW 200/5-3
06	0020254534	PCB	VUW 200/5-3 R1
06	0020202559	PCB	VUW 200/5-5
06	0020254534	PCB	VUW 200/5-5 R1
06	0020202559	PCB	VUW 240/5-3
06	0020254534	PCB	VUW 240/5-3 R1
06	0020202559	PCB	VUW 240/5-5
06	0020254534	PCB	VUW 240/5-5 R1
06	0020202559	PCB	VUW 280/5-3
06	0020254534	PCB	VUW 280/5-3 R1
06	0020202559	PCB	VUW 280/5-5
06	0020254534	PCB	VUW 280/5-5 R1
07	0020136630	Cable, display	
08	-	-	wireless thermostat (accessory, cannot be delivered as spare part)
09	0020200703	Spacer	
10	0020200688	Supply harness	only for TR
10	0020210121	Cable	only for SEE
11	078533	Cable fixation	

12 Control box

VUW 180/5-3, VUW 200/5-3, VUW 200/5-5, VUW 240/5-3, VUW 240/5-5, VUW 280/5-3, VUW 280/5-5 (inkl. R1)



02 - 12- 072.01

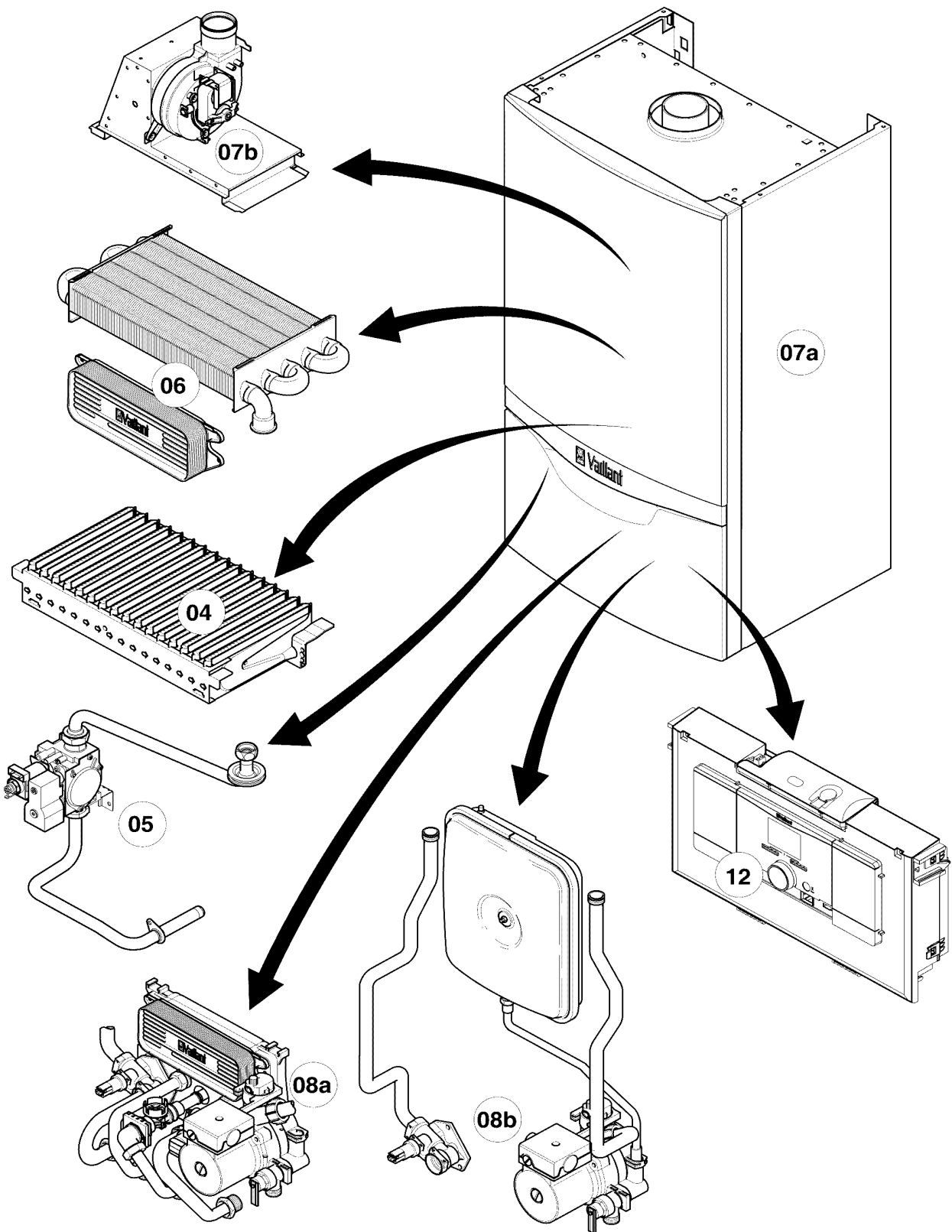
12 Control box

VUW 180/5-3, VUW 200/5-3, VUW 200/5-5, VUW 240/5-3, VUW 240/5-5, VUW 280/5-3, VUW 280/5-5 (inkl. R1)

Pos.	Art.-No / Teile-Nr.	Part / Bezeichnung	Type, note / Typ, Bemerkung
		0212072	
12	0020213178	Wiring harness	VUW 180/5-3
12	0020213178	Wiring harness	VUW 180/5-3 R1
12	0020213178	Wiring harness	VUW 200/5-3
12	0020213178	Wiring harness	VUW 200/5-3 R1
12	0020216294	Wiring harness	VUW 200/5-5
12	0020216294	Wiring harness	VUW 200/5-5 R1
12	0020213178	Wiring harness	VUW 240/5-3
12	0020213178	Wiring harness	VUW 240/5-3 R1
12	0020216294	Wiring harness	VUW 240/5-5
12	0020216294	Wiring harness	VUW 240/5-5 R1
12	0020213178	Wiring harness	VUW 280/5-3
12	0020213178	Wiring harness	VUW 280/5-3 R1
12	0020216294	Wiring harness	VUW 280/5-5
12	0020216294	Wiring harness	VUW 280/5-5 R1
13	0020207150	Wiring harness	VUW 180/5-3
13	0020207150	Wiring harness	VUW 180/5-3 R1
13	0020207150	Wiring harness	VUW 200/5-3
13	0020207150	Wiring harness	VUW 200/5-3 R1
13	0020207150	Wiring harness	VUW 200/5-5
13	0020207150	Wiring harness	VUW 200/5-5 R1
13	0020200714	Wiring harness	VUW 240/5-3
13	0020200714	Wiring harness	VUW 240/5-3 R1
13	0020200714	Wiring harness	VUW 240/5-5
13	0020200714	Wiring harness	VUW 240/5-5 R1
13	0020207150	Wiring harness	VUW 280/5-3
13	0020207150	Wiring harness	VUW 280/5-3 R1
13	0020207150	Wiring harness	VUW 280/5-5
13	0020207150	Wiring harness	VUW 280/5-5 R1
14	0020210117	Plug	
15	078533	Cable fixation	
16	-	-	VUW 180/5-3, not for these appliances
16	-	-	VUW 180/5-3 R1, not for these appliances
16	-	-	VUW 200/5-3, not for these appliances
16	-	-	VUW 200/5-3 R1, not for these appliances
16	0020216303	Cover	VUW 200/5-5
16	0020216303	Cover	VUW 200/5-5 R1
16	-	-	VUW 240/5-3, not for these appliances
16	-	-	VUW 240/5-3 R1, not for these appliances
16	0020216303	Cover	VUW 240/5-5
16	0020216303	Cover	VUW 240/5-5 R1
16	-	-	VUW 280/5-3, not for these appliances
16	-	-	VUW 280/5-3 R1, not for these appliances
16	0020216303	Cover	VUW 280/5-5
16	0020216303	Cover	VUW 280/5-5 R1
17	0020210118	Cover	
18	0020207152	Screw, (PK10)	
19	0020197541	Cable	
20	0020216997	Spacer	
21	0020136646	Connector ProE (Set)	incl. green connector for power connection

General view of sheet

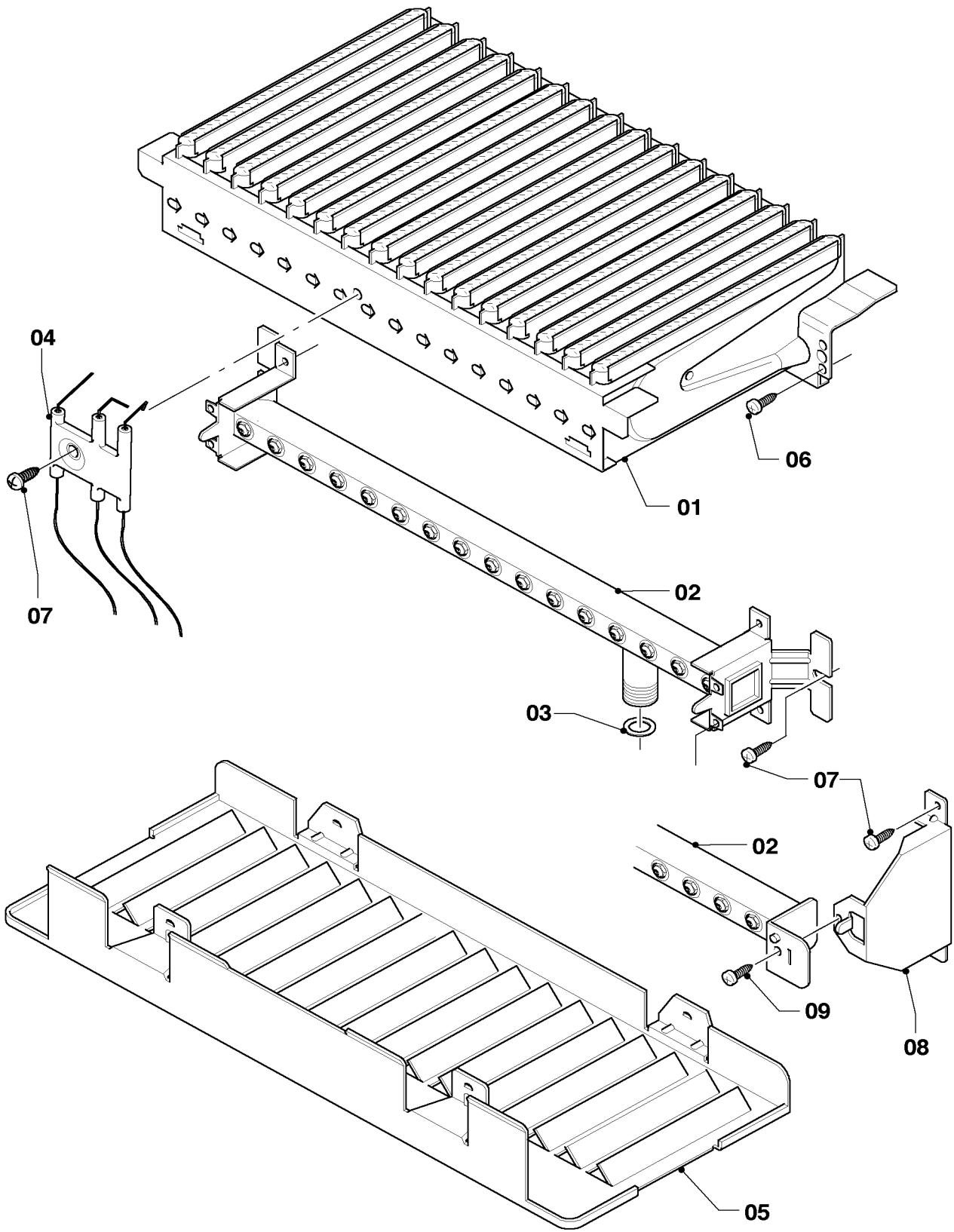
VU 122/5-5, VU 202/5-5, VU 242/5-5, VU 282/5-5, VU 322/5-5, VU 362/5-5



02 - 00 - 134

04 Burner

VU 122/5-5, VU 202/5-5, VU 242/5-5, VU 282/5-5, VU 322/5-5, VU 362/5-5



02 - 04 - 045.01

04 Burner

VU 122/5-5, VU 202/5-5, VU 242/5-5, VU 282/5-5, VU 322/5-5, VU 362/5-5

Pos.	Art.-No / Teile-Nr.	Part / Bezeichnung	Type, note / Typ, Bemerkung
		0204045	
01	0020039044	Burner chamber group 12kW	VU 122/5-5, with part 06
01	0020071708	Burner chamber group 20kW	VU 202/5-5, with part 06
01	0020039045	Burner chamber group 24kW	VU 242/5-5, with part 06
01	0020039046	Burner chamber group 28kW	VU 282/5-5, with part 06
01	031532	Burner chamber group 32/36kW	VU 322/5-5, with part 06
01	031532	Burner chamber group 32/36kW	VU 362/5-5, with part 06
02	0020039047	Burner support 12kW H	VU 122/5-5, natural gas H, with parts 03, 07
02	0020038147	Burner support 20kW H	VU 202/5-5, natural gas H, with parts 03, 07
02	0020039051	Burner support 24kW H	VU 242/5-5, natural gas H, with parts 03, 07
02	0020039053	Burner support 28kW H	VU 282/5-5, natural gas H, with parts 03, 07
02	126795	Burner support 32/36kW H	VU 322/5-5, natural gas H, with parts 03, 07
02	126795	Burner support 32/36kW H	VU 362/5-5, natural gas H, with parts 03, 07
03	981142	Sealing ring, (PK10)	
04	0020039057	Electrode	VU 122/5-5, with part 07
04	0020039057	Electrode	VU 202/5-5, with part 07
04	0020039057	Electrode	VU 242/5-5, with part 07
04	0020039057	Electrode	VU 282/5-5, with part 07
04	090751	Electrode	VU 322/5-5, with part 07
04	090751	Electrode	VU 362/5-5, with part 07
05	-	-	not for these appliances
06	0020218970	Screw, (PK10)	
07	0020136643	Screw, (PK10)	
08	-	-	VU 122/5-5, not for these appliances
08	-	-	VU 202/5-5, not for these appliances
08	-	-	VU 242/5-5, not for these appliances
08	-	-	VU 282/5-5, not for these appliances
08	0020039055	Support (left + right)	VU 322/5-5, with part 07
08	0020039056	Support, (PK2)	VU 362/5-5, with part 07
09	0020198257	Screw, (PK10)	

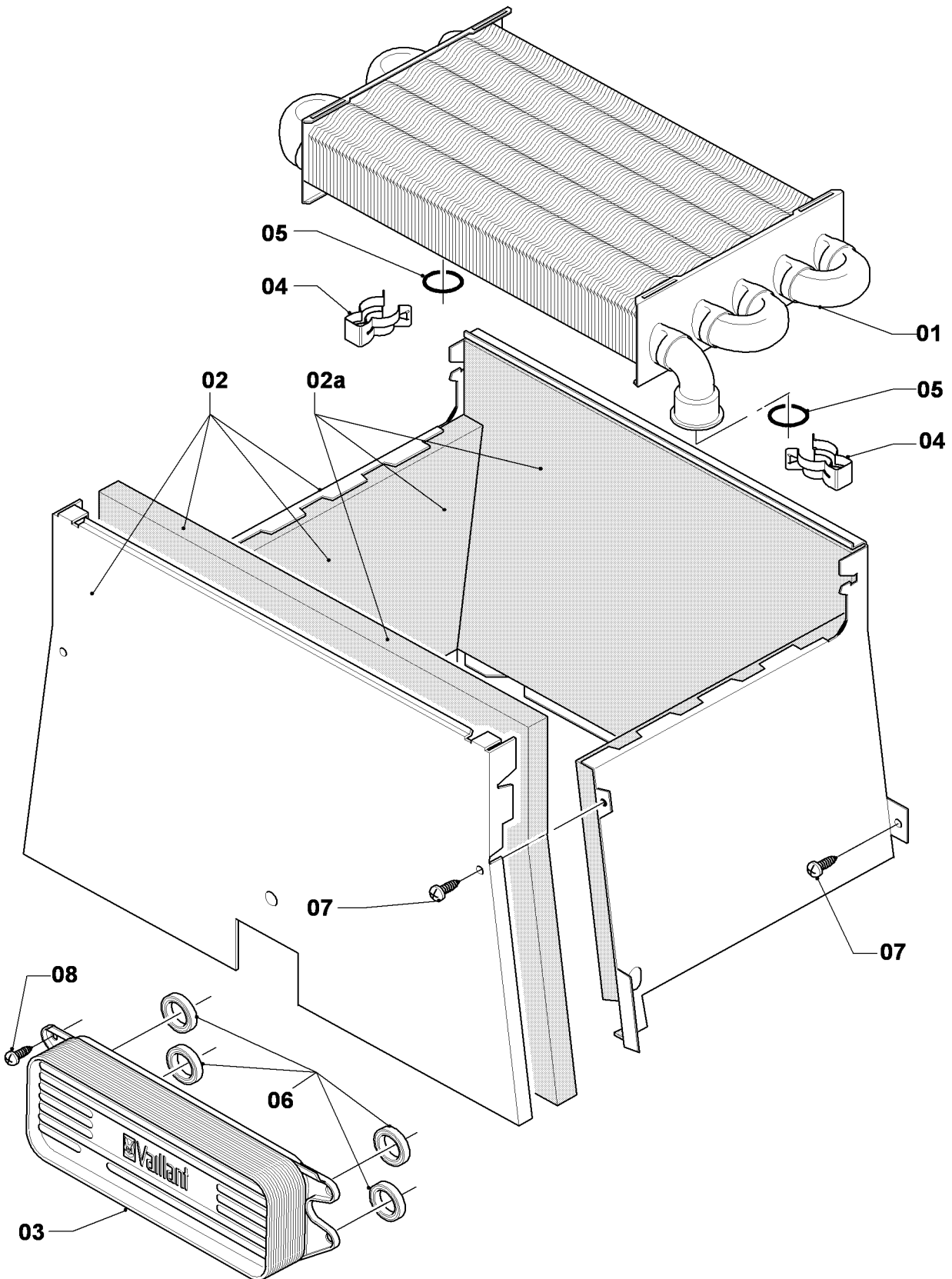
05 Gas section

VU 122/5-5, VU 202/5-5, VU 242/5-5, VU 282/5-5, VU 322/5-5, VU 362/5-5

Pos.	Art.-No / Teile-Nr.	Part / Bezeichnung	Type, note / Typ, Bemerkung
		0205032	
00	0020202406	Conversion kit, H -> PB (30mbar)	VU 122/5-5, to liquid gas P (HR,MK,RU,SQ,SRB,UA), not shown
00	0020199907	Conversion kit, NG->LPG (30mbar)	VU 122/5-5, to liquid gas P (AR,IL,IR,TR), not shown
00	0020202409	Conversion kit, LPG->NG (13/20mbar)	VU 122/5-5, to natural gas H, not shown
00	0020202406	Conversion kit, H -> PB (30mbar)	VU 202/5-5, to liquid gas P (HR,MK,RU,SQ,SRB,UA), not shown
00	0020199907	Conversion kit, NG->LPG (30mbar)	VU 202/5-5, to liquid gas P (AR,IL,IR,TR), not shown
00	0020202409	Conversion kit, LPG->NG (13/20mbar)	VU 202/5-5, to natural gas H, not shown
00	0020202406	Conversion kit, H -> PB (30mbar)	VU 242/5-5, to liquid gas P (HR,MK,RU,SQ,SRB,UA), not shown
00	0020199907	Conversion kit, NG->LPG (30mbar)	VU 242/5-5, to liquid gas P (AR,IL,IR,TR), not shown
00	0020202409	Conversion kit, LPG->NG (13/20mbar)	VU 242/5-5, to natural gas H, not shown
00	0020202406	Conversion kit, H -> PB (30mbar)	VU 282/5-5, to liquid gas P (HR,MK,RU,SQ,SRB,UA), not shown
00	0020199907	Conversion kit, NG->LPG (30mbar)	VU 282/5-5, to liquid gas P (AR,IL,IR,TR), not shown
00	0020202409	Conversion kit, LPG->NG (13/20mbar)	VU 282/5-5, to natural gas H, not shown
00	0020202407	Conversion kit, H -> PB (30mbar)	VU 322/5-5, to liquid gas P (HR,MK,RU,SQ,SRB,UA), not shown
00	0020199908	Conversion kit, NG->LPG (30mbar)	VU 322/5-5, to liquid gas P (AR,IL,IR,TR), not shown
00	0020202408	Conversion kit, LPG->NG (13/20mbar)	VU 322/5-5, to natural gas H, not shown
00	0020202407	Conversion kit, H -> PB (30mbar)	VU 362/5-5, to liquid gas P (HR,MK,RU,SQ,SRB,UA), not shown
00	0020199908	Conversion kit, NG->LPG (30mbar)	VU 362/5-5, to liquid gas P (AR,IL,IR,TR), not shown
00	0020202408	Conversion kit, LPG->NG (13/20mbar)	VU 362/5-5, to natural gas H, not shown
01	0020200723	Gas valve	with part 04
02	0020200691	Gas pipe	with parts 04, 07
03	0020200711	Gas pipe	VU 122/5-5, with parts 04, 05, 09
03	0020200711	Gas pipe	VU 202/5-5, with parts 04, 05, 09
03	0020200711	Gas pipe	VU 242/5-5, with parts 04, 05, 09
03	0020200711	Gas pipe	VU 282/5-5, with parts 04, 05, 09
03	0020200692	Gas pipe	VU 322/5-5, with parts 04, 05, 09
03	0020200692	Gas pipe	VU 362/5-5, with parts 04, 05, 09
04	981140	Sealing ring, 3/4 (PK10)	
05	981142	Sealing ring, (PK10)	
06	108628	Screw, (PK10)	
07	0020136643	Screw, (PK10)	
08	0020200700	Support	with parts 06, 07
09	0020085467	Gasket	
10	0020216971	Compression fitting	
11	-	-	not for these appliances

06 Heat exchanger

VU 122/5-5, VU 202/5-5, VU 242/5-5, VU 282/5-5, VU 322/5-5, VU 362/5-5



02 - 06 - 051.01

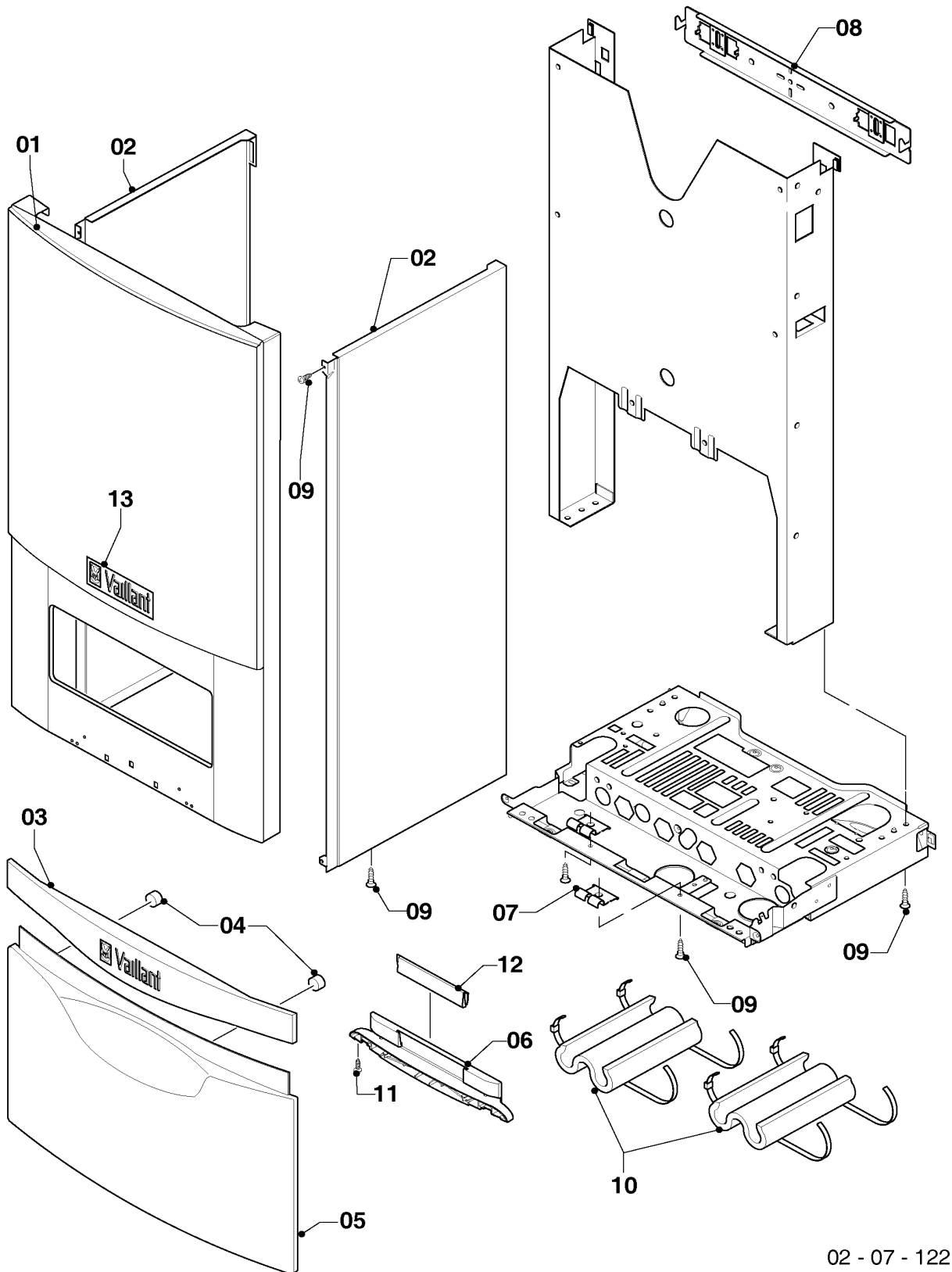
06 Heat exchanger

VU 122/5-5, VU 202/5-5, VU 242/5-5, VU 282/5-5, VU 322/5-5, VU 362/5-5

Pos.	Art.-No / Teile-Nr.	Part / Bezeichnung	Type, note / Typ, Bemerkung
		0206051	
01	0020038152	Heat exchanger (82 fins)	VU 122/5-5, with parts 04, 05
01	0020039066	Heat exchanger (88 fins)	VU 202/5-5, with parts 04, 05
01	0020039067	Heat exchanger (98 fins)	VU 242/5-5, with parts 04, 05
01	0020039069	Heat exchanger (112 fins)	VU 282/5-5, with parts 04, 05
01	0020039069	Heat exchanger (112 fins)	VU 322/5-5, with parts 04, 05
01	065152	Heat exchanger (105 fins)	VU 362/5-5, with parts 04, 05
02	0020038153	Combustion chamber	VU 122/5-5, with part 07
02	0020038153	Combustion chamber	VU 202/5-5, with part 07
02	0020039070	Combustion chamber	VU 242/5-5, with part 07
02	0020039071	Combustion chamber	VU 282/5-5, with part 07
02	0020039071	Combustion chamber	VU 322/5-5, with part 07
02	117545	Combustion chamber	VU 362/5-5, with part 07
02a	0020082188	Insulation (set)	VU 122/5-5
02a	0020082188	Insulation (set)	VU 202/5-5
02a	0020082190	Insulation (set)	VU 242/5-5
02a	0020082191	Insulation (set)	VU 282/5-5
02a	0020082191	Insulation (set)	VU 322/5-5
02a	0020082192	Insulation (set)	VU 362/5-5
03	-	-	not for these appliances
04	219621	Spring clamp, (PK10)	
05	981151	O-ring, (PK10)	
06	-	-	not for these appliances
07	0020136643	Screw, (PK10)	
08	-	-	not for these appliances

07a Casing parts

VU 122/5-5, VU 202/5-5, VU 242/5-5, VU 282/5-5, VU 322/5-5, VU 362/5-5



02 - 07 - 122

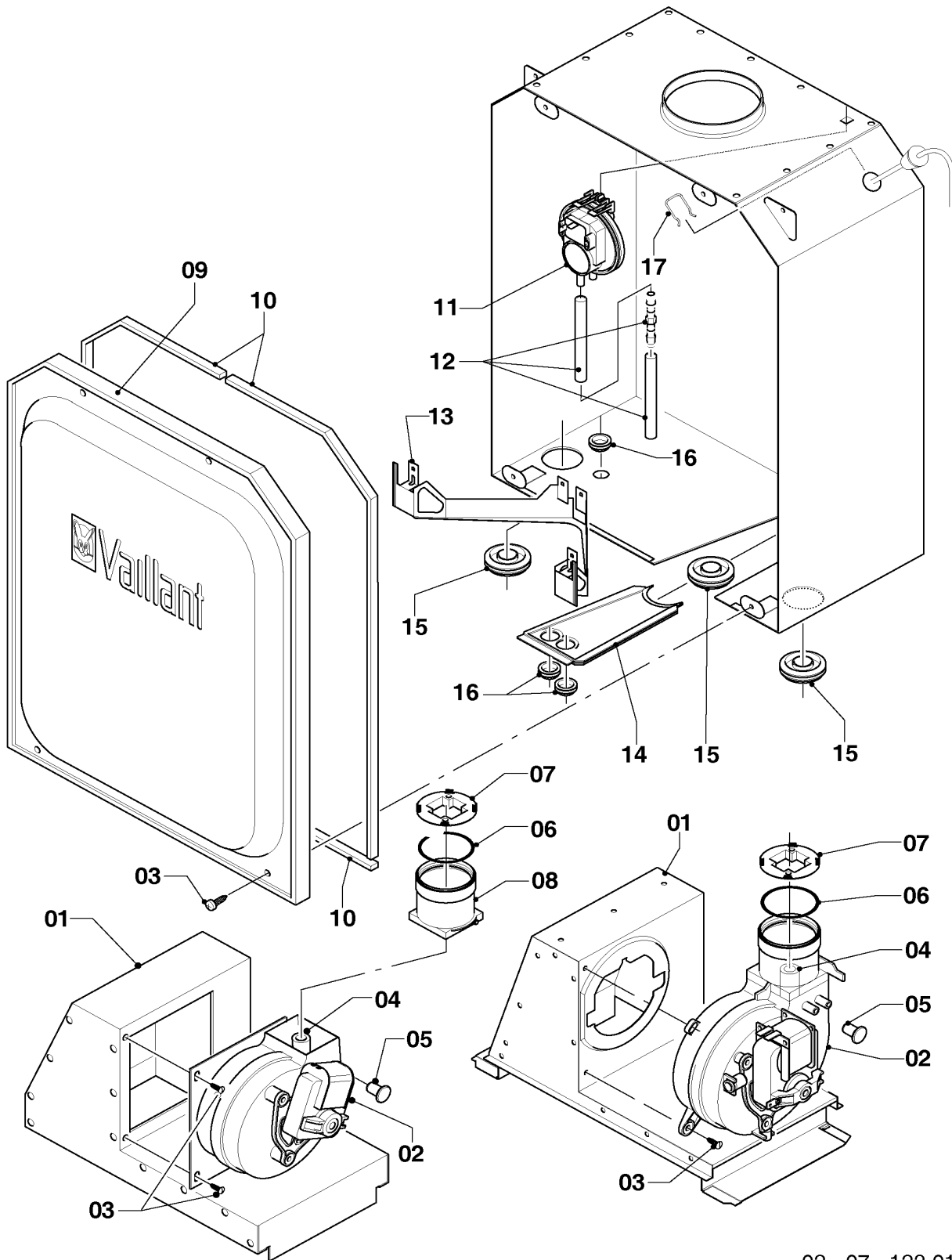
07a Casing parts

VU 122/5-5, VU 202/5-5, VU 242/5-5, VU 282/5-5, VU 322/5-5, VU 362/5-5

Pos.	Art.-No / Teile-Nr.	Part / Bezeichnung	Type, note / Typ, Bemerkung
		0207122	
01	0020200693	Casing	with part 09
02	0020039074	Side panel	with part 09
03	0020144609	Handle	with part 04
04	0020068136	Magnet, (PK2)	
05	0020200695	Flap, cover	with parts 03, 04, 06, 11
06	0020144595	Hinge	with part 11
07	0020144611	Support, control box (PK2)	with part 09
08	0020039072	Support	
09	0020136643	Screw, (PK10)	
10	076629	Insulation, (PK2)	only for balcony
11	193538	Screw, (PK10)	
12	0020210120	Badge, blank	
13	-	-	not for these appliances

07b Air pressure chamber

VU 122/5-5, VU 202/5-5, VU 242/5-5, VU 282/5-5, VU 322/5-5, VU 362/5-5



02 - 07 - 123.01

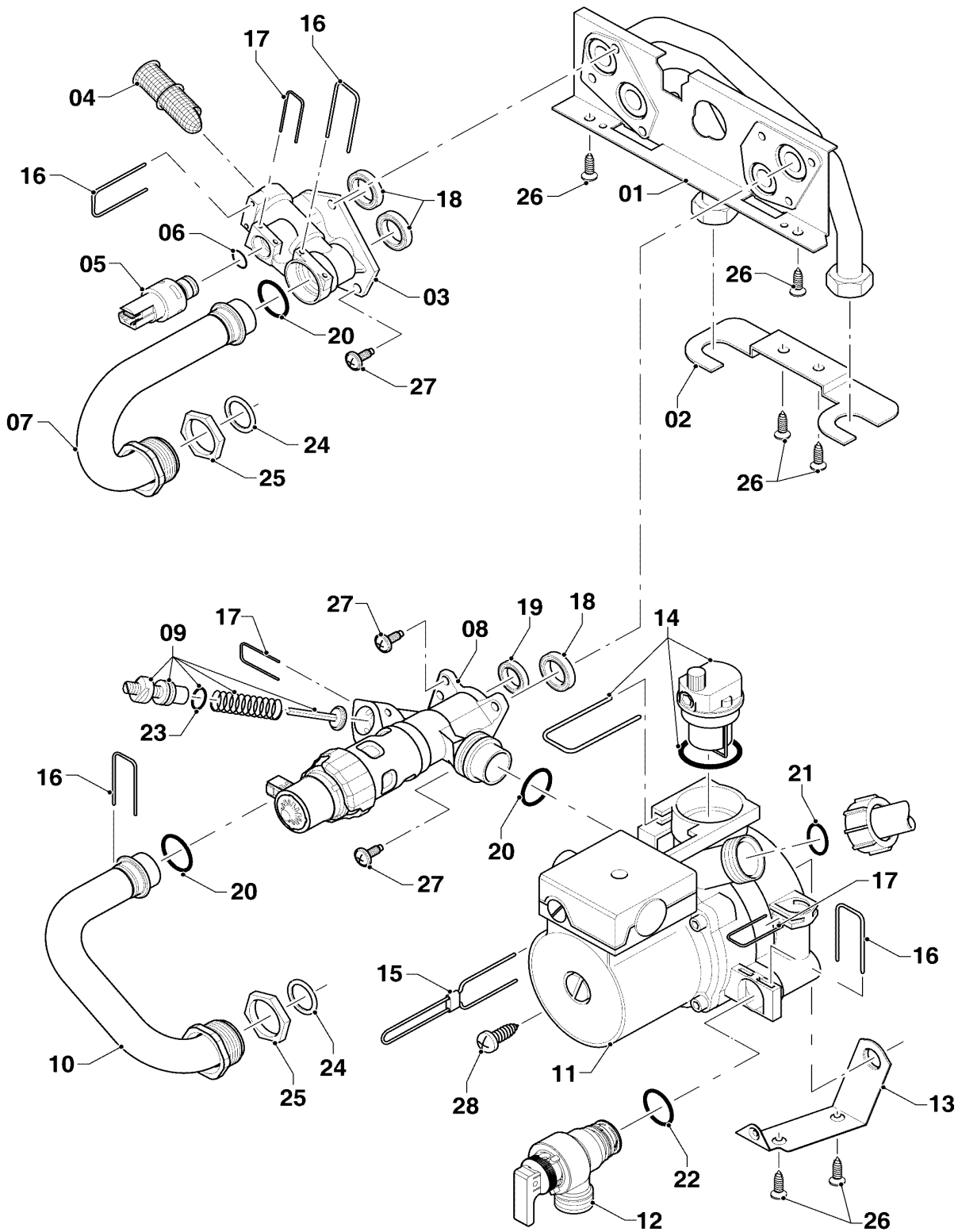
07b Air pressure chamber

VU 122/5-5, VU 202/5-5, VU 242/5-5, VU 282/5-5, VU 322/5-5, VU 362/5-5

Pos.	Art.-No / Teile-Nr.	Part / Bezeichnung	Type, note / Typ, Bemerkung
		0207123	
01	0020200724	Flue gas collector	VU 122/5-5, with part 03
01	0020200724	Flue gas collector	VU 202/5-5, with part 03
01	0020200725	Flue gas collector	VU 242/5-5, with part 03
01	0020200726	Flue gas collector	VU 282/5-5, with part 03
01	0020197539	Flue gas collector	VU 322/5-5, with part 03
01	0020197540	Flue gas collector	VU 362/5-5, with part 03
02	0020020008	Fan	VU 122/5-5, with parts 03, 04, 05, 06, 07
02	0020020008	Fan	VU 202/5-5, with parts 03, 04, 05, 06, 07
02	0020020008	Fan	VU 242/5-5, with parts 03, 04, 05, 06, 07
02	0020020008	Fan	VU 282/5-5, with parts 03, 04, 05, 06, 07
02	0020051400	Fan	VU 322/5-5, with parts 03, 04, 05
02	190262	Fan	VU 362/5-5, with parts 03, 04, 05
03	0020136643	Screw, (PK10)	
04	0020213170	Insert (kit)	
05	0020020013	Plug, (PK5)	
06	981178	Sealing ring, silicone (DN 60)	
07	0020039092	Insert, black	VU 122/5-5, air flue length: coaxial and parallel 0m - max.
07	0020216969	Insert	VU 202/5-5, air flue length: coaxial 0m - 2m (only for TR)
07	0020039094	Insert nature	VU 202/5-5, air flue length: coaxial 0m - 2m (apart from TR)
07	0020039094	Insert nature	VU 202/5-5, air flue length: coaxial 2m - max. and parallel 0m - max.
07	0020039093	Insert orange	VU 242/5-5, air flue length: coaxial 0m - 2m
07	0020039095	Insert nature	VU 242/5-5, air flue length: coaxial 2m - max. and parallel 0m - max.
07	0020039096	Insert green	VU 282/5-5, air flue length: coaxial 0m - 2m
07	0020039097	Insert green	VU 322/5-5, air flue length: coaxial 0m - 2m (only for TR)
07	0020216970	Insert	VU 322/5-5, air flue length: coaxial and parallel 0m - 2m / (apart from TR)
07	-	-	VU 362/5-5, not for these appliances
08	083384	Sleeve	only for VU 322+362, with part 06
09	0020200702	Cover	with parts 03, 10
10	0020041904	Gasket kit	
11	0020213172	Pressure safeguard	VU 122/5-5, with part 12
11	0020041905	Pressure safeguard/switch	VU 202/5-5, with part 12
11	0020213172	Pressure safeguard	VU 242/5-5, with part 12
11	0020041905	Pressure safeguard/switch	VU 282/5-5, with part 12
11	0020213172	Pressure safeguard	VU 322/5-5, with part 12
11	0020041905	Pressure safeguard/switch	VU 362/5-5, with part 12
12	0020041906	Hose set	
13	0020051041	Guide plate	
13	0020051042	Guide plate	
14	0020041907	Insert	with part 16
15	0020085467	Gasket	
16	980766	Seal	
17	0020197544	Clip, (PK10)	

08a Hydraulic parts

VU 122/5-5, VU 202/5-5, VU 242/5-5, VU 282/5-5, VU 322/5-5, VU 362/5-5



02 - 08 - 223

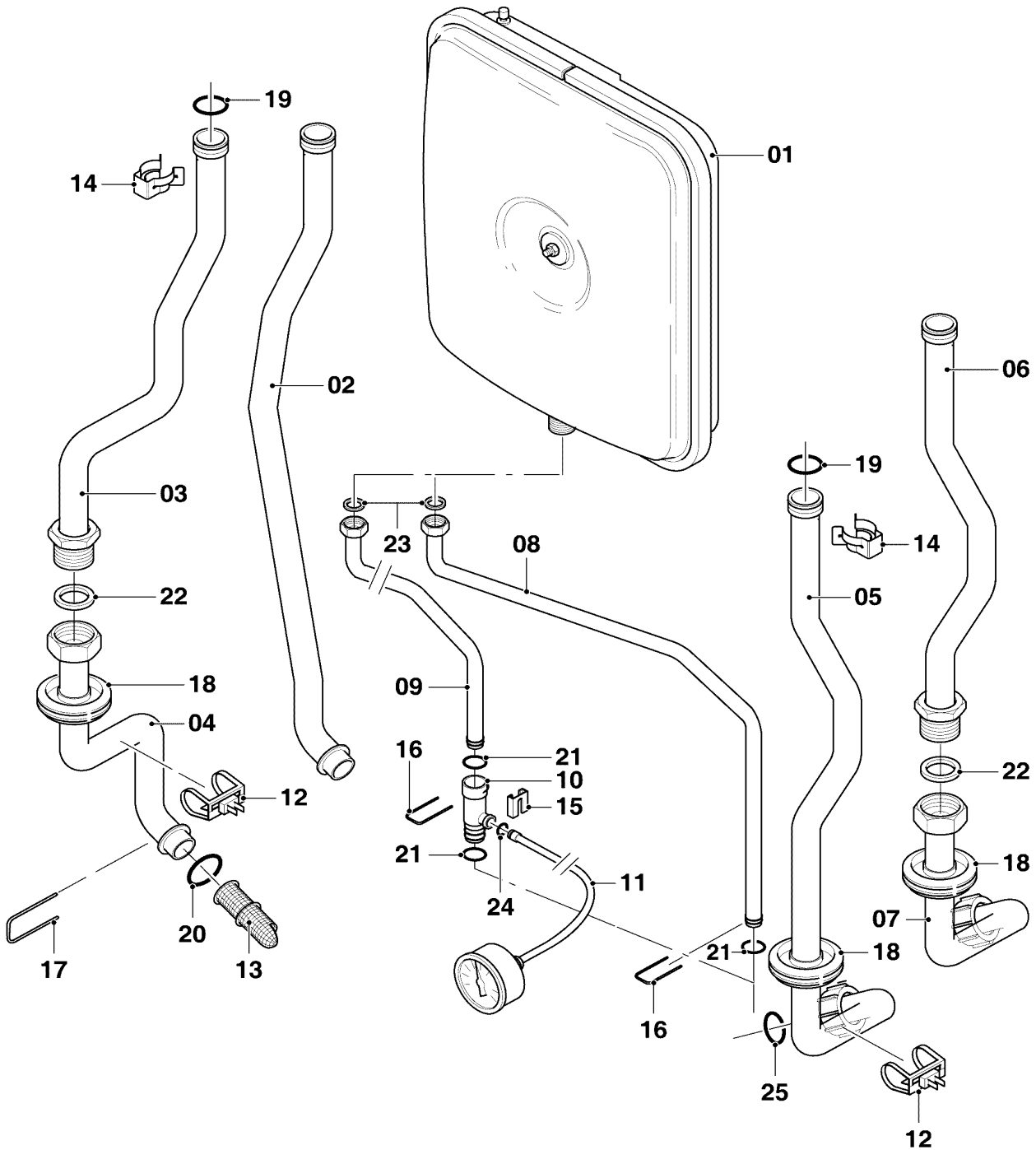
08a Hydraulic parts

VU 122/5-5, VU 202/5-5, VU 242/5-5, VU 282/5-5, VU 322/5-5, VU 362/5-5

Pos.	Art.-No / Teile-Nr.	Part / Bezeichnung	Type, note / Typ, Bemerkung
		0208223	
01	0020046782	Plate	with parts 18, 19, 20, 24, 26, 27
02	-	-	cannot be delivered as spare part
03	179031	Connection, brass	only for RU,UA,VE-RU, with parts 06, 16, 17, 18, 20, 27
03	0020140559	Connection, composite	only for SEE-INT, with parts 06, 16, 17, 18, 20, 27
04	179030	Filter	with parts 16, 20
05	0020059717	Sensor (water pressure)	with parts 06, 17
06	178993	O-ring, (PK10)	
07	179033	Pipe	with parts 20, 24, 25
08	0020132683	Diverter valve, brass	only for RU,UA,VE-RU, with parts 09, 16, 17, 18, 19, 20, 27
08	0020020015	Diverter valve, plastic	only for SEE-INT, with parts 09, 16, 17, 18, 19, 20, 27
09	178980	Bypass	with part 17
10	180999	Pipe	with parts 20, 24, 25
11	0020213167	Pump	with parts 13, 14, 16, 17, 20, 21, 22, 26, 28
12	178985	Pressure relief valve, 3 bar	with parts 16, 22
13	178984	Support	with parts 26, 28
14	104521	Automatic de-aerator	
15	178981	Clip	
16	178992	Clip, (PK10)	
17	0020107694	Clip, (PK5)	
18	193535	Gasket, C-type (PK10)	
19	178969	Gasket, C-type (PK10)	
20	193537	O-ring, (PK10)	
21	193539	O-ring, (PK10)	
22	178986	O-ring, (PK10)	
23	981165	O-ring, (PK10)	
24	981140	Sealing ring, 3/4 (PK10)	
25	193598	Nut, (PK4)	
26	0020107695	Screw, (PK10)	
27	178968	Screw, (PK10)	
28	0020133833	Screw, (PK10)	

08b Hydraulic parts

VU 122/5-5, VU 202/5-5, VU 242/5-5, VU 282/5-5, VU 322/5-5, VU 362/5-5



02-08-142.02

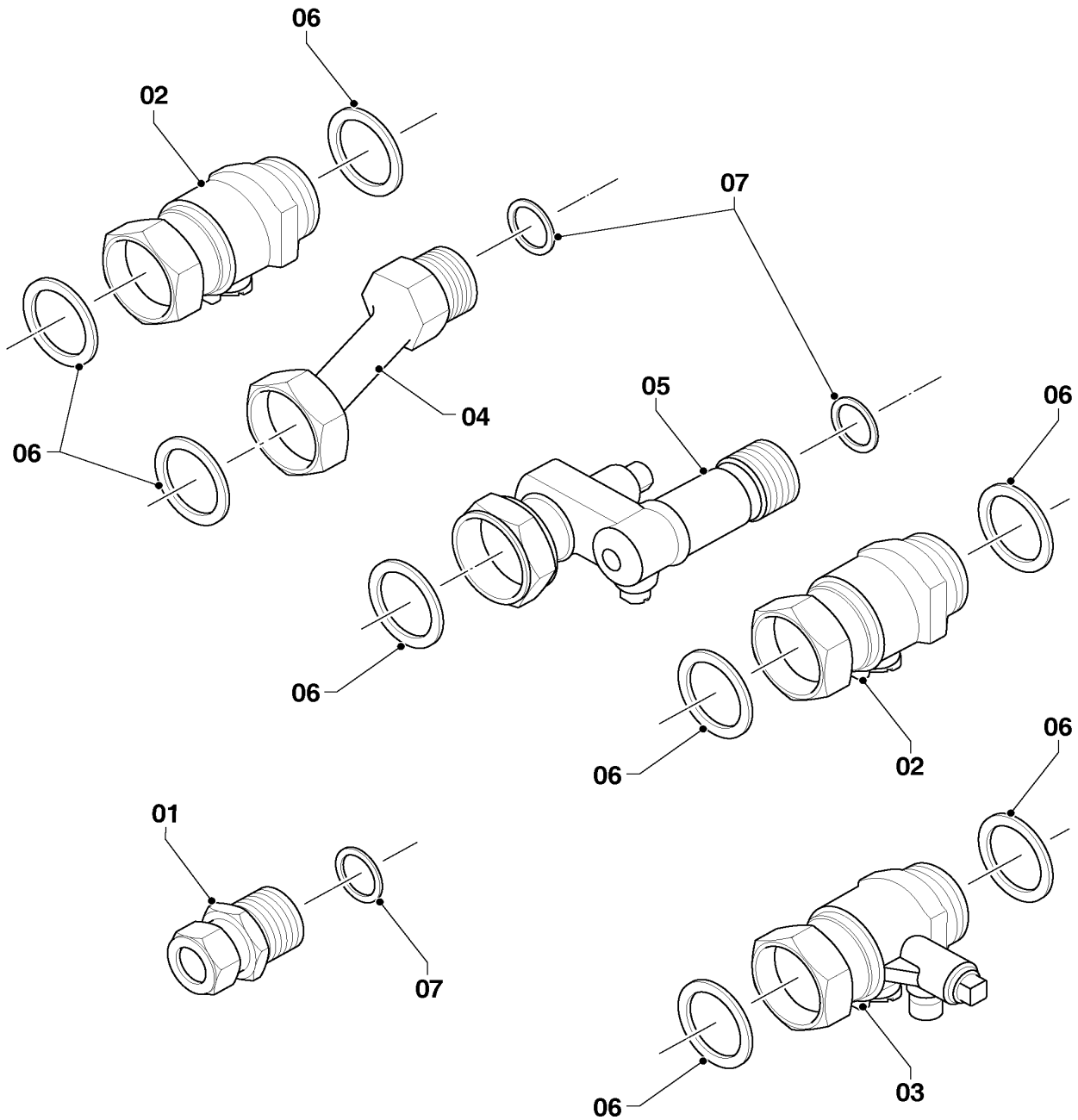
08b Hydraulic parts

VU 122/5-5, VU 202/5-5, VU 242/5-5, VU 282/5-5, VU 322/5-5, VU 362/5-5

Pos.	Art.-No / Teile-Nr.	Part / Bezeichnung	Type, note / Typ, Bemerkung
		0208142	
01	181057	Expansion vessel 10 ltr.	
02	-	-	not for these appliances
03	0020041919	Tube 11-20kW turbo	VU 122/5-5, with parts 14, 19, 22
03	0020041919	Tube 11-20kW turbo	VU 202/5-5, with parts 14, 19, 22
03	0020041921	Tube 24-32kW turbo	VU 242/5-5, with parts 14, 19, 22
03	0020041921	Tube 24-32kW turbo	VU 282/5-5, with parts 14, 19, 22
03	0020041921	Tube 24-32kW turbo	VU 322/5-5, with parts 14, 19, 22
03	0020041922	Tube 36kW turbo	VU 362/5-5, with parts 14, 19, 22
04	0020200708	Tube	with parts 17, 18, 20, 22
05	0020041927	Tube 11-20kW turbo	VU 122/5-5, with parts 14, 18, 19, 25
05	0020041927	Tube 11-20kW turbo	VU 202/5-5, with parts 14, 18, 19, 25
05	0020041928	Tube 24kW turbo	VU 242/5-5, with parts 14, 18, 19, 25
05	0020041929	Tube 28+32kW turbo	VU 282/5-5, with parts 14, 18, 19, 25
05	0020041929	Tube 28+32kW turbo	VU 322/5-5, with parts 14, 18, 19, 25
05	-	-	VU 362/5-5, not for these appliances
06	-	-	VU 122/5-5, not for these appliances
06	-	-	VU 202/5-5, not for these appliances
06	-	-	VU 242/5-5, not for these appliances
06	-	-	VU 282/5-5, not for these appliances
06	-	-	VU 322/5-5, not for these appliances
06	0020041931	Tube 36kW	VU 362/5-5, with parts 14, 19, 22
07	-	-	VU 122/5-5, not for these appliances
07	-	-	VU 202/5-5, not for these appliances
07	-	-	VU 242/5-5, not for these appliances
07	-	-	VU 282/5-5, not for these appliances
07	-	-	VU 322/5-5, not for these appliances
07	0020041930	Tube 36kW	VU 362/5-5, with parts 18, 22, 25
08	0020041914	Tube	only for TR, with parts 16, 21, 23
09	0020041915	Tube	not for TR, with parts 16, 21, 23
10	0020023812	Adapter manometer	not for TR, with parts 15, 16, 21, 24
11	101271	Pressure gauge	not for TR, with parts 15, 24
12	0020068120	Sensor, NTC 19mm	
13	179030	Filter	with parts 17, 20
14	219621	Spring clamp, (PK10)	
15	0020107709	Support	not for TR
16	0020107694	Clip, (PK5)	
17	178992	Clip, (PK10)	
18	0020085467	Gasket	
19	981151	O-ring, (PK10)	
20	193537	O-ring, (PK10)	
21	178993	O-ring, (PK10)	
22	981140	Sealing ring, 3/4 (PK10)	
23	981149	Sealing ring, (PK10)	
24	981155	O-ring, (PK10)	not for TR
25	193539	O-ring, (PK10)	

08c Connecting accessories

VU 122/5-5, VU 202/5-5, VU 242/5-5, VU 282/5-5, VU 322/5-5, VU 362/5-5



02 - 08 - 220

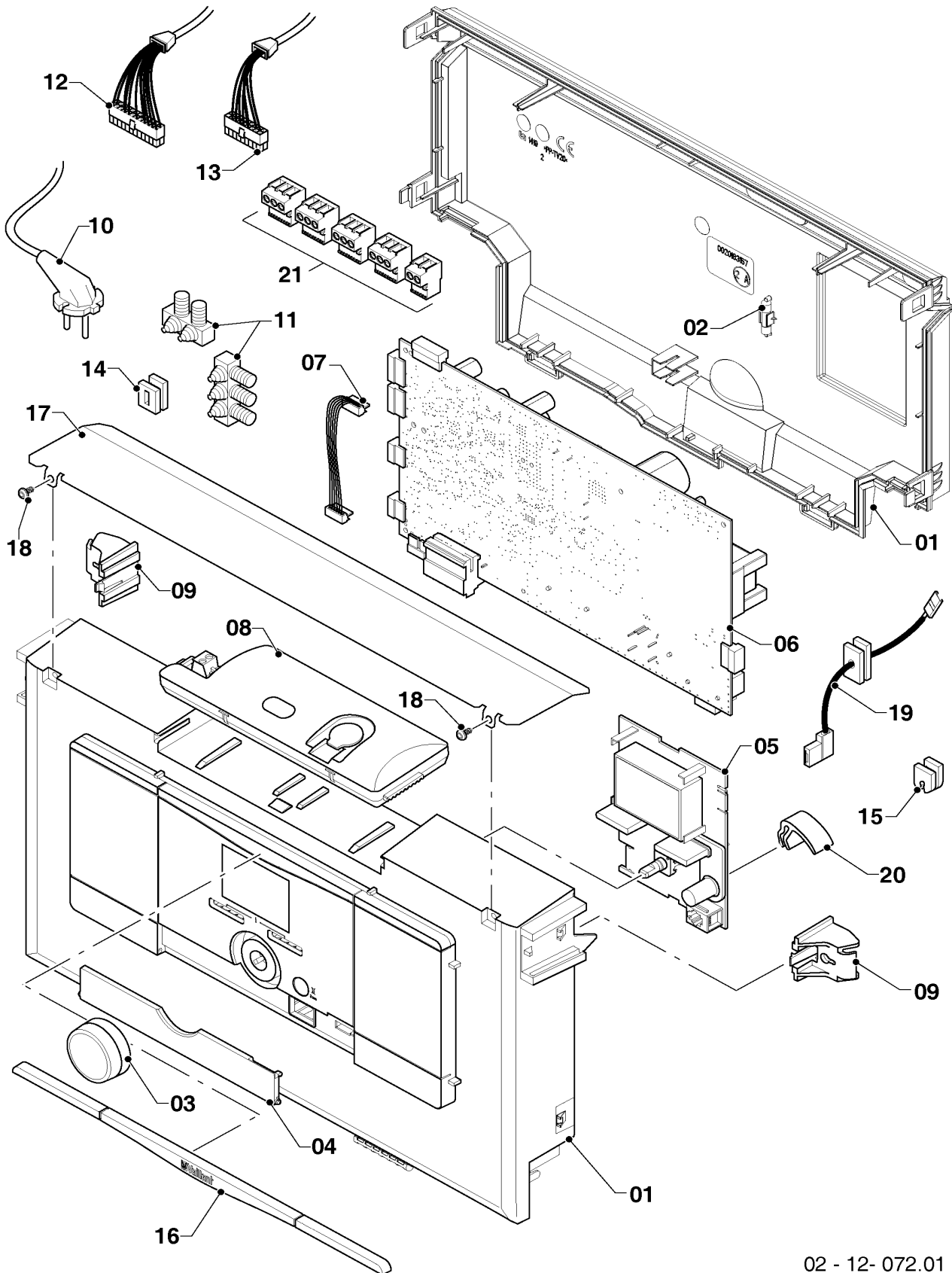
08c Connecting accessories

VU 122/5-5, VU 202/5-5, VU 242/5-5, VU 282/5-5, VU 322/5-5, VU 362/5-5

Pos.	Art.-No / Teile-Nr.	Part / Bezeichnung	Type, note / Typ, Bemerkung
		0208220	
01	0020216971	Compression fitting	
02	0020221260	Service valve	with part 06
03	0020057433	Valve	with part 06
04	-	-	not for these appliances
05	-	-	not for these appliances
06	981140	Sealing ring, 3/4 (PK10)	
07	981142	Sealing ring, (PK10)	

12 Control box

VU 122/5-5, VU 202/5-5, VU 242/5-5, VU 282/5-5, VU 322/5-5, VU 362/5-5



02 - 12- 072.01

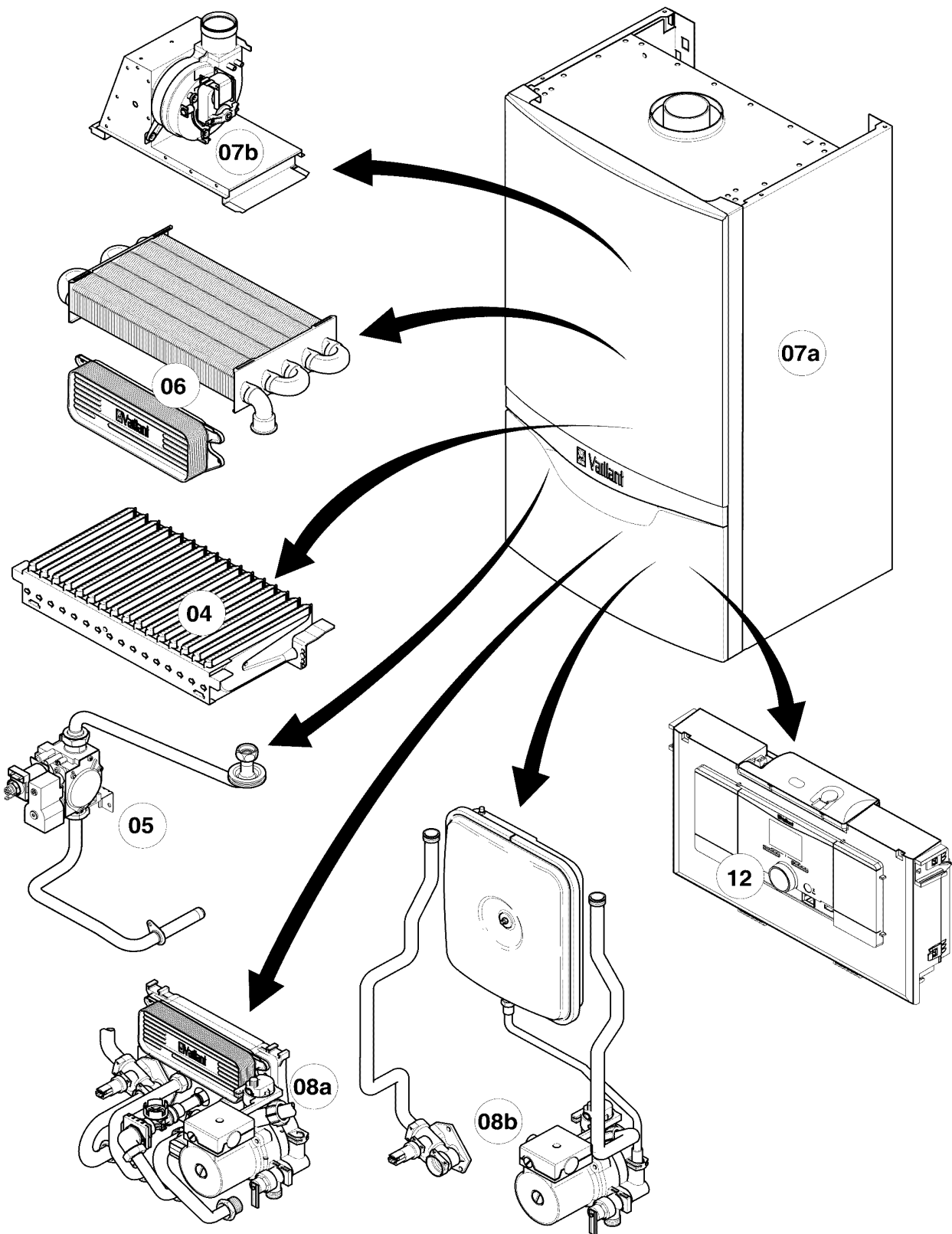
12 Control box

VU 122/5-5, VU 202/5-5, VU 242/5-5, VU 282/5-5, VU 322/5-5, VU 362/5-5

Pos.	Art.-No / Teile-Nr.	Part / Bezeichnung	Type, note / Typ, Bemerkung
		0212072	
01	0020216296	Housing front (plus)	with parts 02, 03, 04, 16
02	0020067507	Fuse, 2,0 A T2H (PK10)	
03	0020213174	Knob.	
04	0020216972	Flap (kit)	
05	0020202560	Display Plus	
06	0020202559	PCB	
07	0020136630	Cable, display	
08	-	-	wireless thermostat (accessory, cannot be delivered as spare part)
09	0020200703	Spacer	
10	0020200688	Supply harness	only for TR
10	0020210121	Cable	only for SEE
11	078533	Cable fixation	
12	0020216295	Wiring harness	
13	0020200713	Wiring harness	VU 122/5-5
13	0020200713	Wiring harness	VU 202/5-5
13	0020200713	Wiring harness	VU 242/5-5
13	0020200713	Wiring harness	VU 282/5-5
13	0020200713	Wiring harness	VU 322/5-5
13	0020200716	Wiring harness	VU 362/5-5
14	0020210117	Plug	
15	078533	Cable fixation	
16	0020216303	Cover	
17	-	-	not for these appliances
18	-	-	not for these appliances
19	0020197541	Cable	
20	0020216997	Spacer	
21	0020136646	Connector ProE (Set)	incl. green connector for power connection

General view of sheet

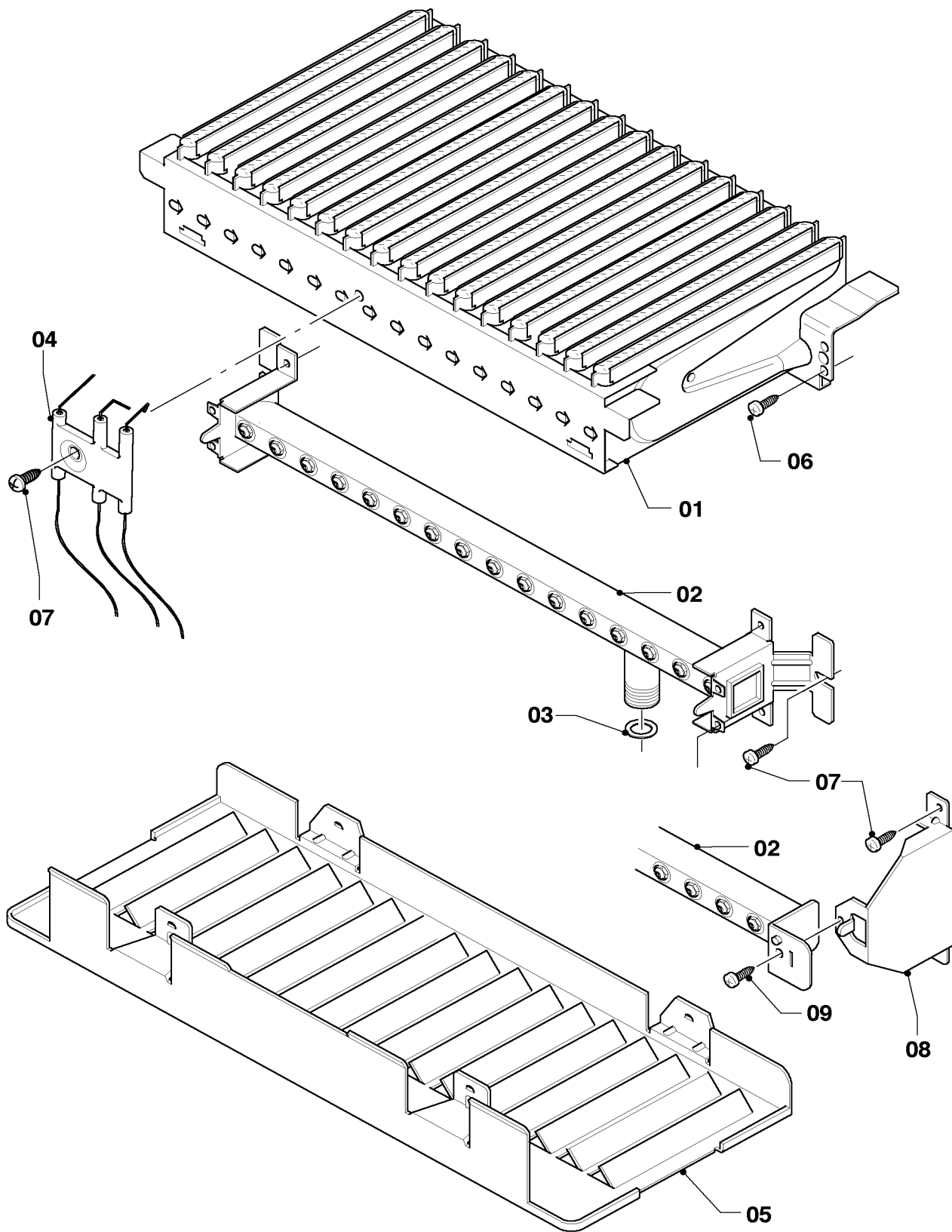
VUW 182/5-3, VUW 11-202/5-3, VUW 202/5-3, VUW 202/5-5, VUW 242/5-3, VUW 242/5-5,
VUW 282/5-3, VUW 282/5-5, VUW 322/5-5, VUW 362/5-5



02 - 00 - 134

04 Burner

VUW 182/5-3, VUW 11-202/5-3, VUW 202/5-3, VUW 202/5-5, VUW 242/5-3, VUW 242/5-5,
VUW 282/5-3, VUW 282/5-5, VUW 322/5-5, VUW 362/5-5



02 - 04 - 045.01

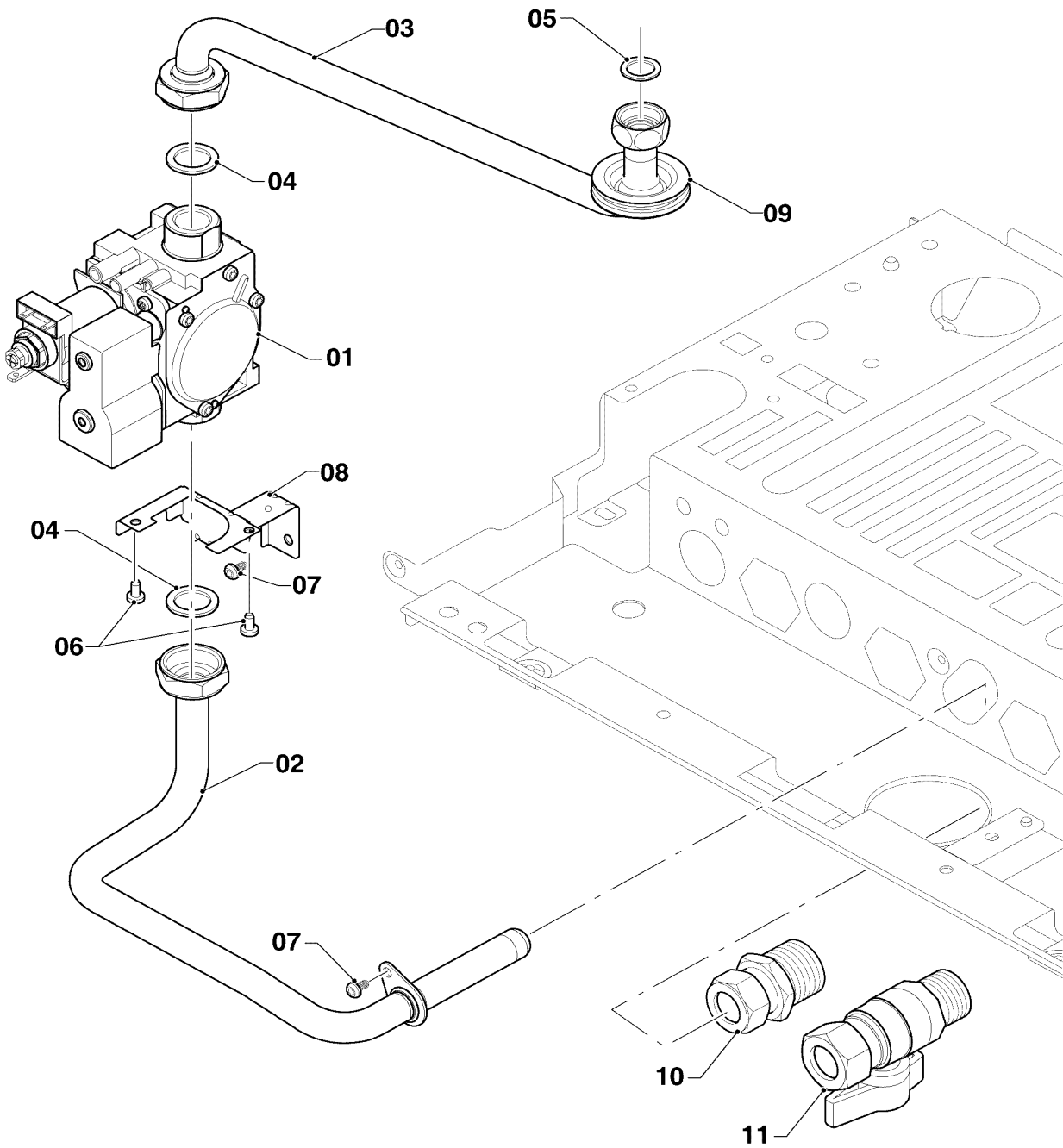
04 Burner

VUW 182/5-3, VUW 11-202/5-3, VUW 202/5-3, VUW 202/5-5, VUW 242/5-3, VUW 242/5-5,
VUW 282/5-3, VUW 282/5-5, VUW 322/5-5, VUW 362/5-5

Pos.	Art.-No / Teile-Nr.	Part / Bezeichnung	Type, note / Typ, Bemerkung
		0204045	
01	0020071708	Burner chamber group 20kW	VUW 11-202/5-3, with part 06
01	0020071708	Burner chamber group 20kW	VUW 182/5-3, with part 06
01	0020071708	Burner chamber group 20kW	VUW 202/5-3, with part 06
01	0020071708	Burner chamber group 20kW	VUW 202/5-5, with part 06
01	0020039045	Burner chamber group 24kW	VUW 242/5-3, with part 06
01	0020039045	Burner chamber group 24kW	VUW 242/5-5, with part 06
01	0020039046	Burner chamber group 28kW	VUW 282/5-3, with part 06
01	0020039046	Burner chamber group 28kW	VUW 282/5-5, with part 06
01	031532	Burner chamber group 32/36kW	VUW 322/5-5, with part 06
01	031532	Burner chamber group 32/36kW	VUW 362/5-5, with part 06
02	0020039047	Burner support 12kW H	VUW 11-202/5-3, natural gas H, with parts 03, 07
02	0020039047	Burner support 12kW H	VUW 182/5-3, natural gas H, with parts 03, 07
02	0020038147	Burner support 20kW H	VUW 202/5-3, natural gas H, with parts 03, 07
02	0020038147	Burner support 20kW H	VUW 202/5-5, natural gas H, with parts 03, 07
02	0020039051	Burner support 24kW H	VUW 242/5-3, natural gas H, with parts 03, 07
02	0020039051	Burner support 24kW H	VUW 242/5-5, natural gas H, with parts 03, 07
02	0020039053	Burner support 28kW H	VUW 282/5-3, natural gas H, with parts 03, 07
02	0020039053	Burner support 28kW H	VUW 282/5-5, natural gas H, with parts 03, 07
02	126795	Burner support 32/36kW H	VUW 322/5-5, natural gas H, with parts 03, 07
02	126795	Burner support 32/36kW H	VUW 362/5-5, natural gas H, with parts 03, 07
03	981142	Sealing ring, (PK10)	
04	0020039057	Electrode	VUW 11-202/5-3, with part 07
04	0020039057	Electrode	VUW 182/5-3, with part 07
04	0020039057	Electrode	VUW 202/5-3, with part 07
04	0020039057	Electrode	VUW 202/5-5, with part 07
04	0020039057	Electrode	VUW 242/5-3, with part 07
04	0020039057	Electrode	VUW 242/5-5, with part 07
04	0020039057	Electrode	VUW 282/5-3, with part 07
04	0020039057	Electrode	VUW 282/5-5, with part 07
04	090751	Electrode	VUW 322/5-5, with part 07
04	090751	Electrode	VUW 362/5-5, with part 07
05	-	-	not for these appliances
06	0020218970	Screw, (PK10)	
07	0020136643	Screw, (PK10)	
08	0020039055	Support (left + right)	only for VUW 322, with part 07
08	0020039056	Support, (PK2)	only for VUW 362, with part 07
09	0020198257	Screw, (PK10)	

05 Gas section

VUW 182/5-3, VUW 11-202/5-3, VUW 202/5-3, VUW 202/5-5, VUW 242/5-3, VUW 242/5-5,
VUW 282/5-3, VUW 282/5-5, VUW 322/5-5, VUW 362/5-5



02 - 05 - 032

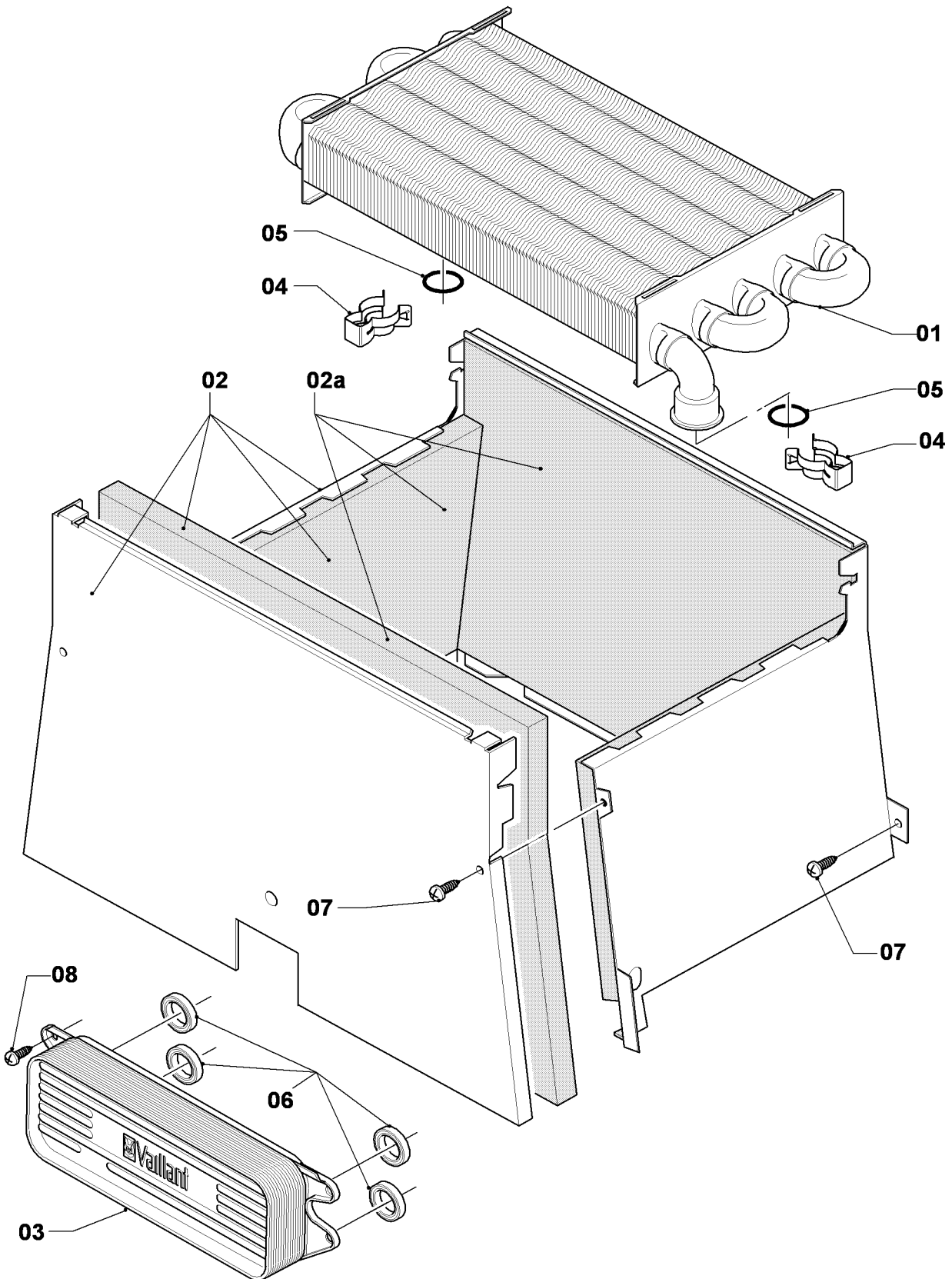
05 Gas section

VUW 182/5-3, VUW 11-202/5-3, VUW 202/5-3, VUW 202/5-5, VUW 242/5-3, VUW 242/5-5,
VUW 282/5-3, VUW 282/5-5, VUW 322/5-5, VUW 362/5-5

Pos.	Art.-No / Teile-Nr.	Part / Bezeichnung	Type, note / Typ, Bemerkung
		0205032	
00	0020202406	Conversion kit, H -> PB (30mbar)	VUW 11-202/5-3, to liquid gas P (HR,MK,RU,SQ,SRB,UA), not shown
00	0020199907	Conversion kit, NG->LPG (30mbar)	VUW 11-202/5-3, to liquid gas P (AR,IL,IR,TR), not shown
00	0020202409	Conversion kit, LPG->NG (13/20mbar)	VUW 11-202/5-3, to natural gas H, not shown
00	0020202406	Conversion kit, H -> PB (30mbar)	VUW 182/5-3, to liquid gas P (HR,MK,RU,SQ,SRB,UA), not shown
00	0020199907	Conversion kit, NG->LPG (30mbar)	VUW 182/5-3, to liquid gas P (AR,IL,IR,TR), not shown
00	0020202409	Conversion kit, LPG->NG (13/20mbar)	VUW 182/5-3, to natural gas H, not shown
00	0020202406	Conversion kit, H -> PB (30mbar)	VUW 202/5-3, to liquid gas P (HR,MK,RU,SQ,SRB,UA), not shown
00	0020199907	Conversion kit, NG->LPG (30mbar)	VUW 202/5-3, to liquid gas P (AR,IL,IR,TR), not shown
00	0020202409	Conversion kit, LPG->NG (13/20mbar)	VUW 202/5-3, to natural gas H, not shown
00	0020202406	Conversion kit, H -> PB (30mbar)	VUW 202/5-5, to liquid gas P (HR,MK,RU,SQ,SRB,UA), not shown
00	0020199907	Conversion kit, NG->LPG (30mbar)	VUW 202/5-5, to liquid gas P (AR,IL,IR,TR), not shown
00	0020202409	Conversion kit, LPG->NG (13/20mbar)	VUW 202/5-5, to natural gas H, not shown
00	0020202406	Conversion kit, H -> PB (30mbar)	VUW 242/5-3, to liquid gas P (HR,MK,RU,SQ,SRB,UA), not shown
00	0020199907	Conversion kit, NG->LPG (30mbar)	VUW 242/5-3, to liquid gas P (AR,IL,IR,TR), not shown
00	0020202409	Conversion kit, LPG->NG (13/20mbar)	VUW 242/5-3, to natural gas H, not shown
00	0020202406	Conversion kit, H -> PB (30mbar)	VUW 242/5-5, to liquid gas P (HR,MK,RU,SQ,SRB,UA), not shown
00	0020199907	Conversion kit, NG->LPG (30mbar)	VUW 242/5-5, to liquid gas P (AR,IL,IR,TR), not shown
00	0020202409	Conversion kit, LPG->NG (13/20mbar)	VUW 242/5-5, to natural gas H, not shown
00	0020202406	Conversion kit, H -> PB (30mbar)	VUW 282/5-3, to liquid gas P (HR,MK,RU,SQ,SRB,UA), not shown
00	0020199907	Conversion kit, NG->LPG (30mbar)	VUW 282/5-3, to liquid gas P (AR,IL,IR,TR), not shown
00	0020202409	Conversion kit, LPG->NG (13/20mbar)	VUW 282/5-3, to natural gas H, not shown
00	0020202406	Conversion kit, H -> PB (30mbar)	VUW 282/5-5, to liquid gas P (HR,MK,RU,SQ,SRB,UA), not shown
00	0020199907	Conversion kit, NG->LPG (30mbar)	VUW 282/5-5, to liquid gas P (AR,IL,IR,TR), not shown
00	0020202409	Conversion kit, LPG->NG (13/20mbar)	VUW 282/5-5, to natural gas H, not shown
00	0020202407	Conversion kit, H -> PB (30mbar)	VUW 322/5-5, to liquid gas P (HR,MK,RU,SQ,SRB,UA), not shown
00	0020199908	Conversion kit, NG->LPG (30mbar)	VUW 322/5-5, to liquid gas P (AR,IL,IR,TR), not shown
00	0020202408	Conversion kit, LPG->NG (13/20mbar)	VUW 322/5-5, to natural gas H, not shown
00	0020202407	Conversion kit, H -> PB (30mbar)	VUW 362/5-5, to liquid gas P (HR,MK,RU,SQ,SRB,UA), not shown
00	0020199908	Conversion kit, NG->LPG (30mbar)	VUW 362/5-5, to liquid gas P (AR,IL,IR,TR), not shown
00	0020202408	Conversion kit, LPG->NG (13/20mbar)	VUW 362/5-5, to natural gas H, not shown
01	0020200723	Gas valve	with part 04
02	0020200691	Gas pipe	with parts 04, 07
03	0020200711	Gas pipe	VUW 11-202/5-3, with parts 04, 05, 09
03	0020200711	Gas pipe	VUW 182/5-3, with parts 04, 05, 09
03	0020200711	Gas pipe	VUW 202/5-3, with parts 04, 05, 09
03	0020200711	Gas pipe	VUW 202/5-5, with parts 04, 05, 09
03	0020200711	Gas pipe	VUW 242/5-3, with parts 04, 05, 09
03	0020200711	Gas pipe	VUW 242/5-5, with parts 04, 05, 09
03	0020200711	Gas pipe	VUW 282/5-3, with parts 04, 05, 09
03	0020200711	Gas pipe	VUW 282/5-5, with parts 04, 05, 09
03	0020200692	Gas pipe	VUW 322/5-5, with parts 04, 05, 09
03	0020200692	Gas pipe	VUW 362/5-5, with parts 04, 05, 09
04	981140	Sealing ring, 3/4 (PK10)	
05	981142	Sealing ring, (PK10)	
06	108628	Screw, (PK10)	
07	0020136643	Screw, (PK10)	
08	0020200700	Support	with parts 06, 07
09	0020085467	Gasket	
10	0020216971	Compression fitting	
11	-	-	not for these appliances

06 Heat exchanger

VUW 182/5-3, VUW 11-202/5-3, VUW 202/5-3, VUW 202/5-5, VUW 242/5-3, VUW 242/5-5,
VUW 282/5-3, VUW 282/5-5, VUW 322/5-5, VUW 362/5-5



02 - 06 - 051.01

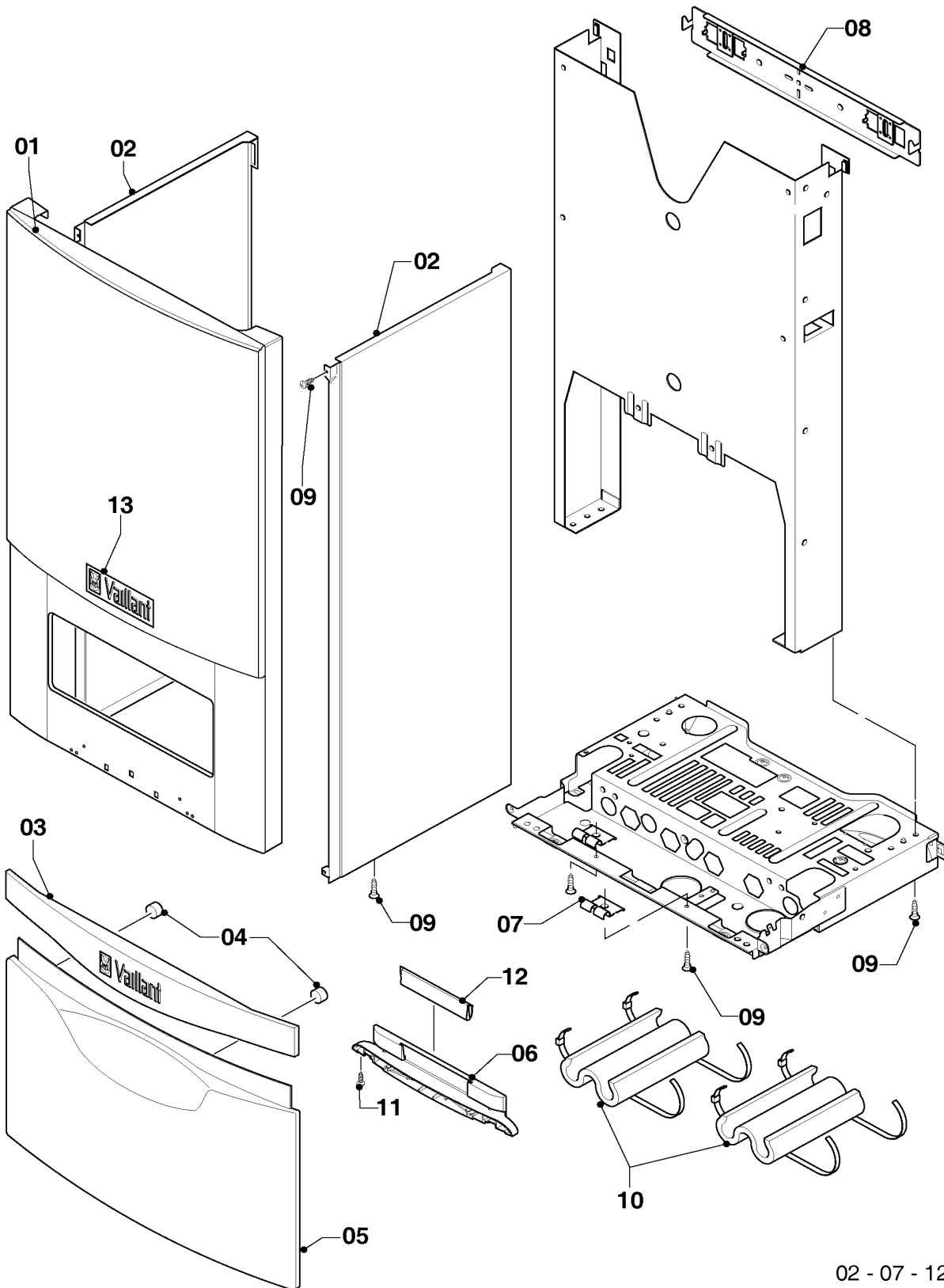
06 Heat exchanger

VUW 182/5-3, VUW 11-202/5-3, VUW 202/5-3, VUW 202/5-5, VUW 242/5-3, VUW 242/5-5,
VUW 282/5-3, VUW 282/5-5, VUW 322/5-5, VUW 362/5-5

Pos.	Art.-No / Teile-Nr.	Part / Bezeichnung	Type, note / Typ, Bemerkung
		0206051	
01	0020039066	Heat exchanger (88 fins)	VUW 11-202/5-3, with parts 04, 05
01	0020039066	Heat exchanger (88 fins)	VUW 182/5-3, with parts 04, 05
01	0020039066	Heat exchanger (88 fins)	VUW 202/5-3, with parts 04, 05
01	0020039066	Heat exchanger (88 fins)	VUW 202/5-5, with parts 04, 05
01	0020039067	Heat exchanger (98 fins)	VUW 242/5-3, with parts 04, 05
01	0020039067	Heat exchanger (98 fins)	VUW 242/5-5, with parts 04, 05
01	0020039069	Heat exchanger (112 fins)	VUW 282/5-3, with parts 04, 05
01	0020039068	Heat exchanger (101 fins)	VUW 282/5-5, only for SEE-INT,VE-AR,VE-IR, with parts 04, 05
01	0020039069	Heat exchanger (112 fins)	VUW 282/5-5, only for RU,TR,UA, with parts 04, 05
01	0020039069	Heat exchanger (112 fins)	VUW 322/5-5, not for TR, with parts 04, 05
01	065152	Heat exchanger (105 fins)	VUW 322/5-5, only for TR, with parts 04, 05
01	065152	Heat exchanger (105 fins)	VUW 362/5-5, with parts 04, 05
02	0020038153	Combustion chamber	VUW 11-202/5-3, with part 07
02	0020038153	Combustion chamber	VUW 182/5-3, with part 07
02	0020038153	Combustion chamber	VUW 202/5-3, with part 07
02	0020038153	Combustion chamber	VUW 202/5-5, with part 07
02	0020039070	Combustion chamber	VUW 242/5-3, with part 07
02	0020039070	Combustion chamber	VUW 242/5-5, with part 07
02	0020039071	Combustion chamber	VUW 282/5-3, with part 07
02	0020039071	Combustion chamber	VUW 282/5-5, with part 07
02	0020039071	Combustion chamber	VUW 322/5-5, not for TR, with part 07
02	117545	Combustion chamber	VUW 322/5-5, only for TR, with part 07
02	117545	Combustion chamber	VUW 362/5-5, with part 07
02a	0020082188	Insulation (set)	VUW 11-202/5-3
02a	0020082188	Insulation (set)	VUW 182/5-3
02a	0020082188	Insulation (set)	VUW 202/5-3
02a	0020082188	Insulation (set)	VUW 202/5-5
02a	0020082190	Insulation (set)	VUW 242/5-3
02a	0020082190	Insulation (set)	VUW 242/5-5
02a	0020082191	Insulation (set)	VUW 282/5-3
02a	0020082191	Insulation (set)	VUW 282/5-5
02a	0020082191	Insulation (set)	VUW 322/5-5, not for TR
02a	0020082192	Insulation (set)	VUW 322/5-5, only for TR
02a	0020082192	Insulation (set)	VUW 362/5-5
03	0020020018	Heat exchanger DHW, 11 (13) plates	VUW 11-202/5-3, with parts 06, 08
03	0020020018	Heat exchanger DHW, 11 (13) plates	VUW 182/5-3, with parts 06, 08
03	0020020018	Heat exchanger DHW, 11 (13) plates	VUW 202/5-3, with parts 06, 08
03	0020038572	Heat exchanger dhw (19 plates)	VUW 202/5-5, with parts 06, 08
03	0020020018	Heat exchanger DHW, 11 (13) plates	VUW 242/5-3, only for RU,SEE-INT,UA,TR, with parts 06, 08
03	0020038572	Heat exchanger dhw (19 plates)	VUW 242/5-3, only for VE-AR,VE-IL,VE-IR, with parts 06, 08
03	0020038572	Heat exchanger dhw (19 plates)	VUW 242/5-5, with parts 06, 08
03	0020020018	Heat exchanger DHW, 11 (13) plates	VUW 282/5-3, with parts 06, 08
03	0020038572	Heat exchanger dhw (19 plates)	VUW 282/5-5, with parts 06, 08
03	0020038572	Heat exchanger dhw (19 plates)	VUW 322/5-5, not for TR, with parts 06, 08
03	0020025041	Heat exchanger dhw (35 plates)	VUW 322/5-5, only for TR, with parts 06, 08
03	0020025041	Heat exchanger dhw (35 plates)	VUW 362/5-5, with parts 06, 08
04	219621	Spring clamp, (PK10)	
05	981151	O-ring, (PK10)	
06	178969	Gasket, C-type (PK10)	
07	0020136643	Screw, (PK10)	
08	178968	Screw, (PK10)	

07a Casing parts

VUW 182/5-3, VUW 11-202/5-3, VUW 202/5-3, VUW 202/5-5, VUW 242/5-3, VUW 242/5-5,
VUW 282/5-3, VUW 282/5-5, VUW 322/5-5, VUW 362/5-5



02 - 07 - 122

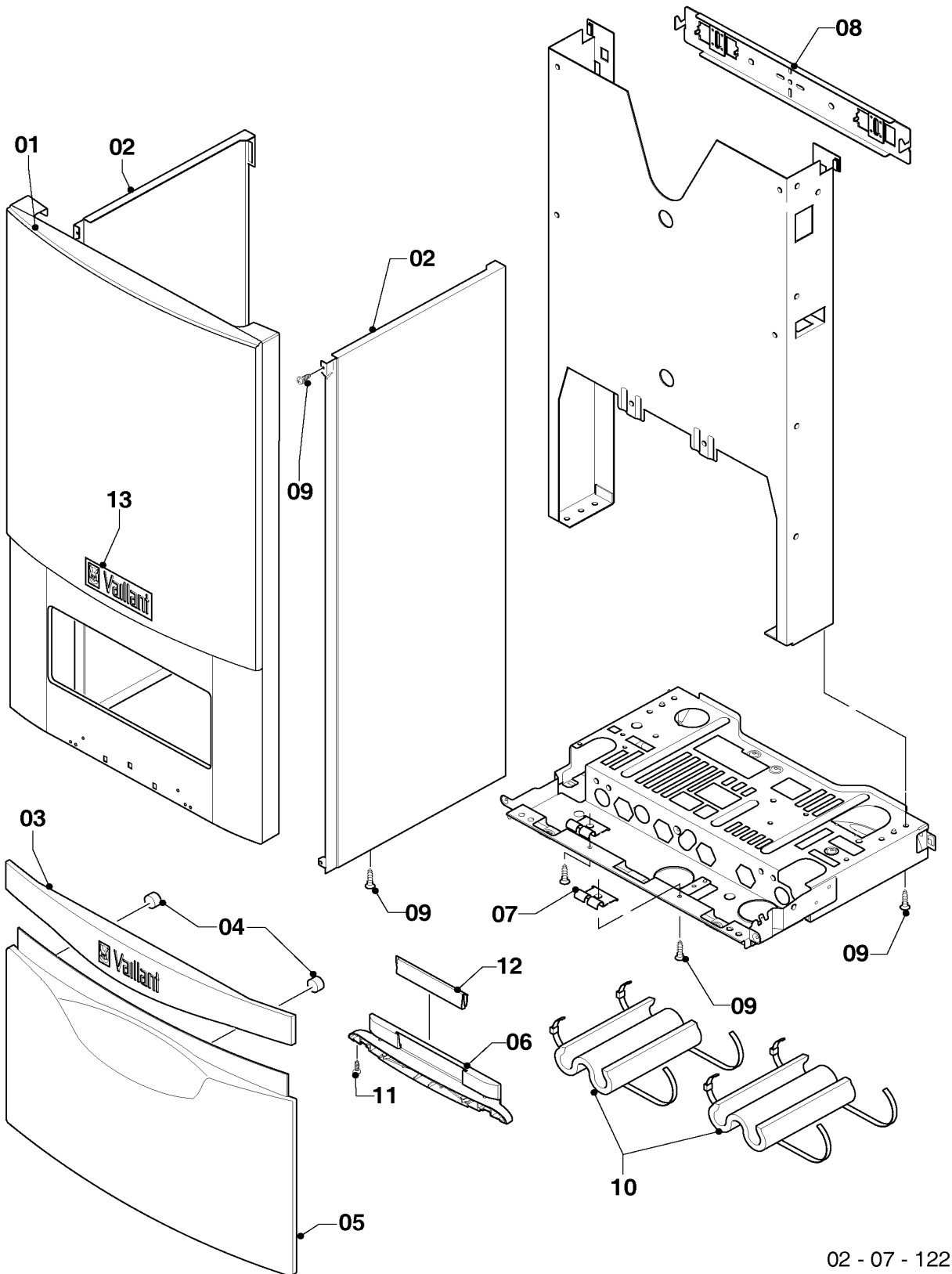
07a Casing parts

VUW 182/5-3, VUW 11-202/5-3, VUW 202/5-3, VUW 202/5-5, VUW 242/5-3, VUW 242/5-5,
VUW 282/5-3, VUW 282/5-5, VUW 322/5-5, VUW 362/5-5

Pos.	Art.-No / Teile-Nr.	Part / Bezeichnung	Type, note / Typ, Bemerkung
		0207122	
01	0020200696	Casing	VUW 11-202/5-3, with part 09
01	0020200696	Casing	VUW 182/5-3, with part 09
01	0020200696	Casing	VUW 202/5-3, with part 09
01	0020200693	Casing	VUW 202/5-5, with part 09
01	0020200696	Casing	VUW 242/5-3, with part 09
01	0020200693	Casing	VUW 242/5-5, with part 09
01	0020200696	Casing	VUW 282/5-3, with part 09
01	0020200693	Casing	VUW 282/5-5, with part 09
01	0020200693	Casing	VUW 322/5-5, with part 09
01	0020200693	Casing	VUW 362/5-5, with part 09
02	0020039074	Side panel	with part 09
03	-	-	VUW 11-202/5-3, not for these appliances
03	-	-	VUW 182/5-3, not for these appliances
03	-	-	VUW 202/5-3, not for these appliances
03	0020144609	Handle	VUW 202/5-5, with part 04
03	-	-	VUW 242/5-3, not for these appliances
03	0020144609	Handle	VUW 242/5-5, with part 04
03	-	-	VUW 282/5-3, not for these appliances
03	0020144609	Handle	VUW 282/5-5, with part 04
03	0020144609	Handle	VUW 322/5-5, with part 04
03	0020144609	Handle	VUW 362/5-5, with part 04
04	-	-	VUW 11-202/5-3, not for these appliances
04	-	-	VUW 182/5-3, not for these appliances
04	-	-	VUW 202/5-3, not for these appliances
04	0020068136	Magnet, (PK2)	VUW 202/5-5
04	-	-	VUW 242/5-3, not for these appliances
04	0020068136	Magnet, (PK2)	VUW 242/5-5
04	-	-	VUW 282/5-3, not for these appliances
04	0020068136	Magnet, (PK2)	VUW 282/5-5
04	0020068136	Magnet, (PK2)	VUW 322/5-5
04	0020068136	Magnet, (PK2)	VUW 362/5-5
05	-	-	VUW 11-202/5-3, not for these appliances
05	-	-	VUW 182/5-3, not for these appliances
05	-	-	VUW 202/5-3, not for these appliances
05	0020200695	Flap, cover	VUW 202/5-5, with parts 03, 04, 06, 11
05	-	-	VUW 242/5-3, not for these appliances
05	0020200695	Flap, cover	VUW 242/5-5, with parts 03, 04, 06, 11
05	-	-	VUW 282/5-3, not for these appliances
05	0020200695	Flap, cover	VUW 282/5-5, with parts 03, 04, 06, 11
05	0020200695	Flap, cover	VUW 322/5-5, with parts 03, 04, 06, 11
05	0020200695	Flap, cover	VUW 362/5-5, with parts 03, 04, 06, 11
06	-	-	VUW 11-202/5-3, not for these appliances
06	-	-	VUW 182/5-3, not for these appliances
06	-	-	VUW 202/5-3, not for these appliances
06	0020144595	Hinge	VUW 202/5-5, with part 11
06	-	-	VUW 242/5-3, not for these appliances
06	0020144595	Hinge	VUW 242/5-5, with part 11
06	-	-	VUW 282/5-3, not for these appliances
06	0020144595	Hinge	VUW 282/5-5, with part 11
06	0020144595	Hinge	VUW 322/5-5, with part 11
06	0020144595	Hinge	VUW 362/5-5, with part 11

07a Casing parts

VUW 182/5-3, VUW 11-202/5-3, VUW 202/5-3, VUW 202/5-5, VUW 242/5-3, VUW 242/5-5,
VUW 282/5-3, VUW 282/5-5, VUW 322/5-5, VUW 362/5-5



02 - 07 - 122

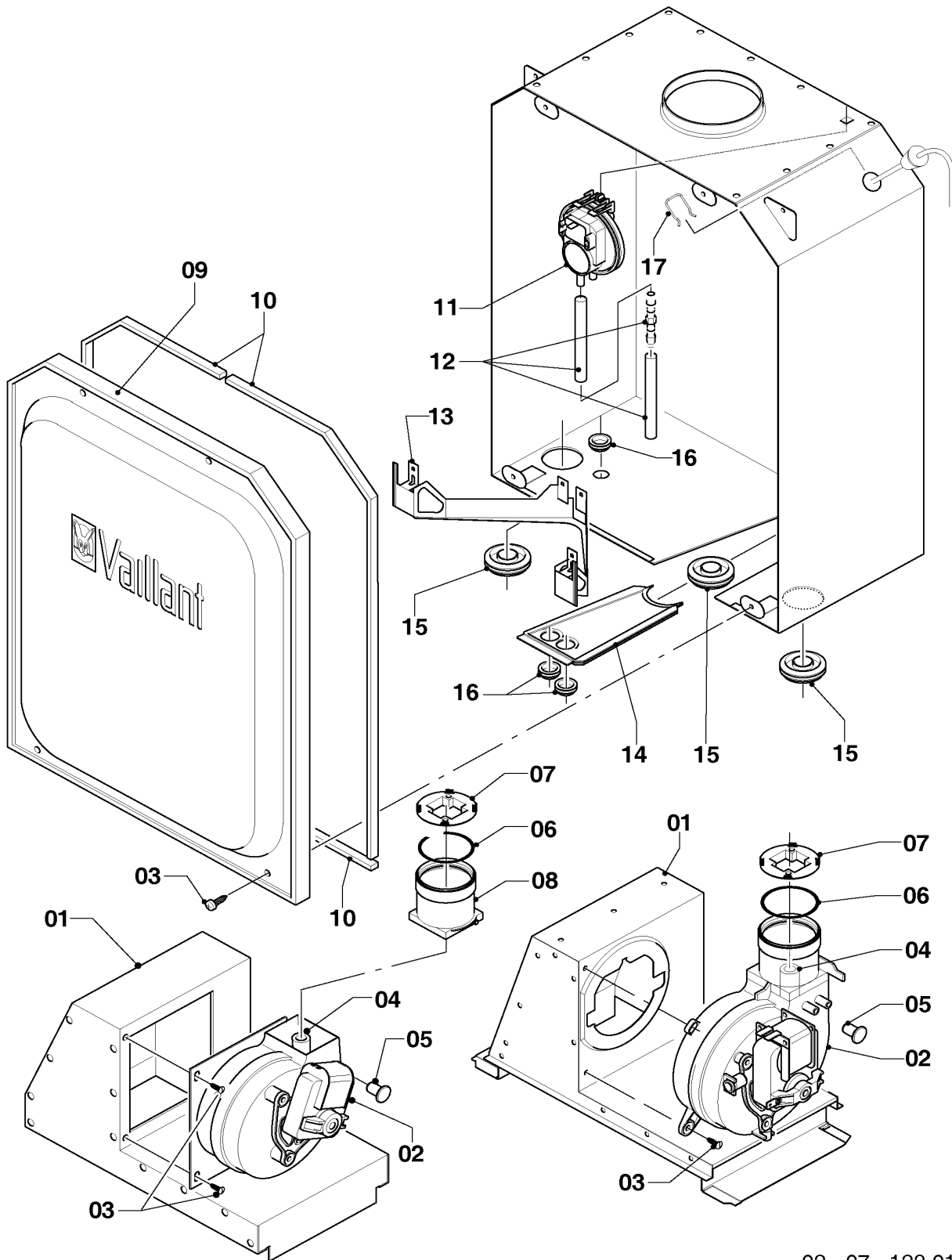
07a Casing parts

VUW 182/5-3, VUW 11-202/5-3, VUW 202/5-3, VUW 202/5-5, VUW 242/5-3, VUW 242/5-5,
VUW 282/5-3, VUW 282/5-5, VUW 322/5-5, VUW 362/5-5

Pos.	Art.-No / Teile-Nr.	Part / Bezeichnung	Type, note / Typ, Bemerkung
		0207122	
07	0020144611	Support, control box (PK2)	with part 09
08	0020039072	Support	
09	0020136643	Screw, (PK10)	
10	076629	Insulation, (PK2)	only for balcony
11	-	-	VUW 11-202/5-3, not for these appliances
11	-	-	VUW 182/5-3, not for these appliances
11	-	-	VUW 202/5-3, not for these appliances
11	193538	Screw, (PK10)	VUW 202/5-5
11	-	-	VUW 242/5-3, not for these appliances
11	193538	Screw, (PK10)	VUW 242/5-5
11	-	-	VUW 282/5-3, not for these appliances
11	193538	Screw, (PK10)	VUW 282/5-5
11	193538	Screw, (PK10)	VUW 322/5-5
11	193538	Screw, (PK10)	VUW 362/5-5
12	-	-	VUW 11-202/5-3, not for these appliances
12	-	-	VUW 182/5-3, not for these appliances
12	-	-	VUW 202/5-3, not for these appliances
12	0020210120	Badge, blank	VUW 202/5-5
12	-	-	VUW 242/5-3, not for these appliances
12	0020210120	Badge, blank	VUW 242/5-5
12	-	-	VUW 282/5-3, not for these appliances
12	0020210120	Badge, blank	VUW 282/5-5
12	0020210120	Badge, blank	VUW 322/5-5
12	0020210120	Badge, blank	VUW 362/5-5
13	118096	Badge, kit	VUW 11-202/5-3
13	118096	Badge, kit	VUW 182/5-3
13	118096	Badge, kit	VUW 202/5-3
13	-	-	VUW 202/5-5, not for these appliances
13	118096	Badge, kit	VUW 242/5-3
13	-	-	VUW 242/5-5, not for these appliances
13	118096	Badge, kit	VUW 282/5-3
13	-	-	VUW 282/5-5, not for these appliances
13	-	-	VUW 322/5-5, not for these appliances
13	-	-	VUW 362/5-5, not for these appliances

07b Air pressure chamber

VUW 182/5-3, VUW 11-202/5-3, VUW 202/5-3, VUW 202/5-5, VUW 242/5-3, VUW 242/5-5,
VUW 282/5-3, VUW 282/5-5, VUW 322/5-5, VUW 362/5-5



02 - 07 - 123.01

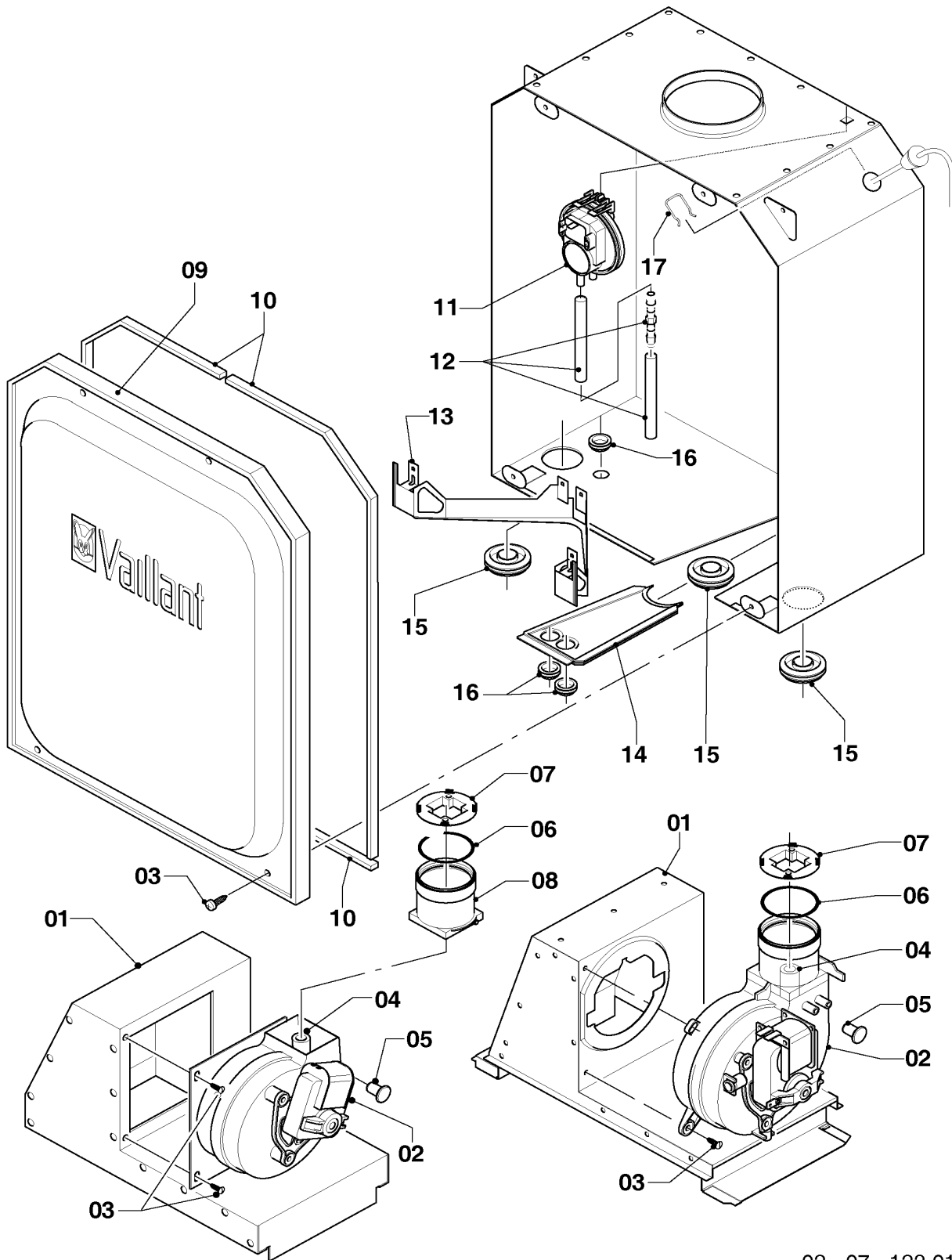
07b Air pressure chamber

VUW 182/5-3, VUW 11-202/5-3, VUW 202/5-3, VUW 202/5-5, VUW 242/5-3, VUW 242/5-5,
VUW 282/5-3, VUW 282/5-5, VUW 322/5-5, VUW 362/5-5

Pos.	Art.-No / Teile-Nr.	Part / Bezeichnung	Type, note / Typ, Bemerkung
		0207123	
01	0020200724	Flue gas collector	VUW 11-202/5-3, with part 03
01	0020200724	Flue gas collector	VUW 182/5-3, with part 03
01	0020200724	Flue gas collector	VUW 202/5-3, with part 03
01	0020200724	Flue gas collector	VUW 202/5-5, with part 03
01	0020200725	Flue gas collector	VUW 242/5-3, with part 03
01	0020200725	Flue gas collector	VUW 242/5-5, with part 03
01	0020200726	Flue gas collector	VUW 282/5-3, with part 03
01	0020200726	Flue gas collector	VUW 282/5-5, with part 03
01	0020197539	Flue gas collector	VUW 322/5-5, not for TR, with part 03
01	0020197540	Flue gas collector	VUW 322/5-5, only for TR, with part 03
01	0020197540	Flue gas collector	VUW 362/5-5, with part 03
02	0020020008	Fan	VUW 11-202/5-3, with parts 03, 04, 05, 06, 07
02	0020020008	Fan	VUW 182/5-3, with parts 03, 04, 05, 06, 07
02	0020020008	Fan	VUW 202/5-3, with parts 03, 04, 05, 06, 07
02	0020020008	Fan	VUW 202/5-5, with parts 03, 04, 05, 06, 07
02	0020020008	Fan	VUW 242/5-3, with parts 03, 04, 05, 06, 07
02	0020020008	Fan	VUW 242/5-5, with parts 03, 04, 05, 06, 07
02	0020020008	Fan	VUW 282/5-3, with parts 03, 04, 05, 06, 07
02	0020020008	Fan	VUW 282/5-5, with parts 03, 04, 05, 06, 07
02	0020051400	Fan	VUW 322/5-5, with parts 03, 04, 05
02	190262	Fan	VUW 362/5-5, with parts 03, 04, 05
03	0020136643	Screw, (PK10)	
04	0020213170	Insert (kit)	
05	0020020013	Plug, (PK5)	
06	981178	Sealing ring, silicone (DN 60)	
07	0020039092	Insert, black	VUW 11-202/5-3, air flue length: coaxial and parallel 0m - max.
07	0020039094	Insert nature	VUW 182/5-3, air flue length: coaxial and parallel 0m - max.
07	0020216969	Insert	VUW 202/5-3, air flue length: coaxial 0m - 2m (only for TR)
07	0020039094	Insert nature	VUW 202/5-3, air flue length: coaxial 0m - 2m (appart from TR)
07	0020039094	Insert nature	VUW 202/5-3, air flue length: coaxial 2m - max. and parallel 0m - max.
07	0020216969	Insert	VUW 202/5-5, air flue length: coaxial 0m - 2m (only for TR)
07	0020039094	Insert nature	VUW 202/5-5, air flue length: coaxial 0m - 2m (appart from TR)
07	0020039094	Insert nature	VUW 202/5-5, air flue length: coaxial 2m - max. and parallel 0m - max.
07	0020039093	Insert orange	VUW 242/5-3, air flue length: coaxial 0m - 2m
07	0020039095	Insert nature	VUW 242/5-3, air flue length: coaxial 2m - max. and parallel 0m - max.
07	0020039093	Insert orange	VUW 242/5-5, air flue length: coaxial 0m - 2m
07	0020039095	Insert nature	VUW 242/5-5, air flue length: coaxial 2m - max. and parallel 0m - max.
07	0020039096	Insert green	VUW 282/5-3, air flue length: coaxial 0m - 2m
07	0020039096	Insert green	VUW 282/5-5, air flue length: coaxial 0m - 2m
07	0020039097	Insert green	VUW 322/5-5, air flue length: coaxial 0m - 2m (only for TR)
07	0020216970	Insert	VUW 322/5-5, air flue length: coaxial and parallel 0m - 2m / (appart from TR)
07	-	-	VUW 362/5-5, not for these appliances
08	083384	Sleeve	only for VUW 322+362, with part 06
09	0020200702	Cover	with parts 03, 10
10	0020041904	Gasket kit	
11	0020213172	Pressure safeguard	VUW 11-202/5-3, with part 12
11	0020041905	Pressure safeguard/switch	VUW 182/5-3, with part 12
11	0020041905	Pressure safeguard/switch	VUW 202/5-3, with part 12
11	0020041905	Pressure safeguard/switch	VUW 202/5-5, with part 12
11	0020213172	Pressure safeguard	VUW 242/5-3, with part 12

07b Air pressure chamber

VUW 182/5-3, VUW 11-202/5-3, VUW 202/5-3, VUW 202/5-5, VUW 242/5-3, VUW 242/5-5,
VUW 282/5-3, VUW 282/5-5, VUW 322/5-5, VUW 362/5-5



02 - 07 - 123.01

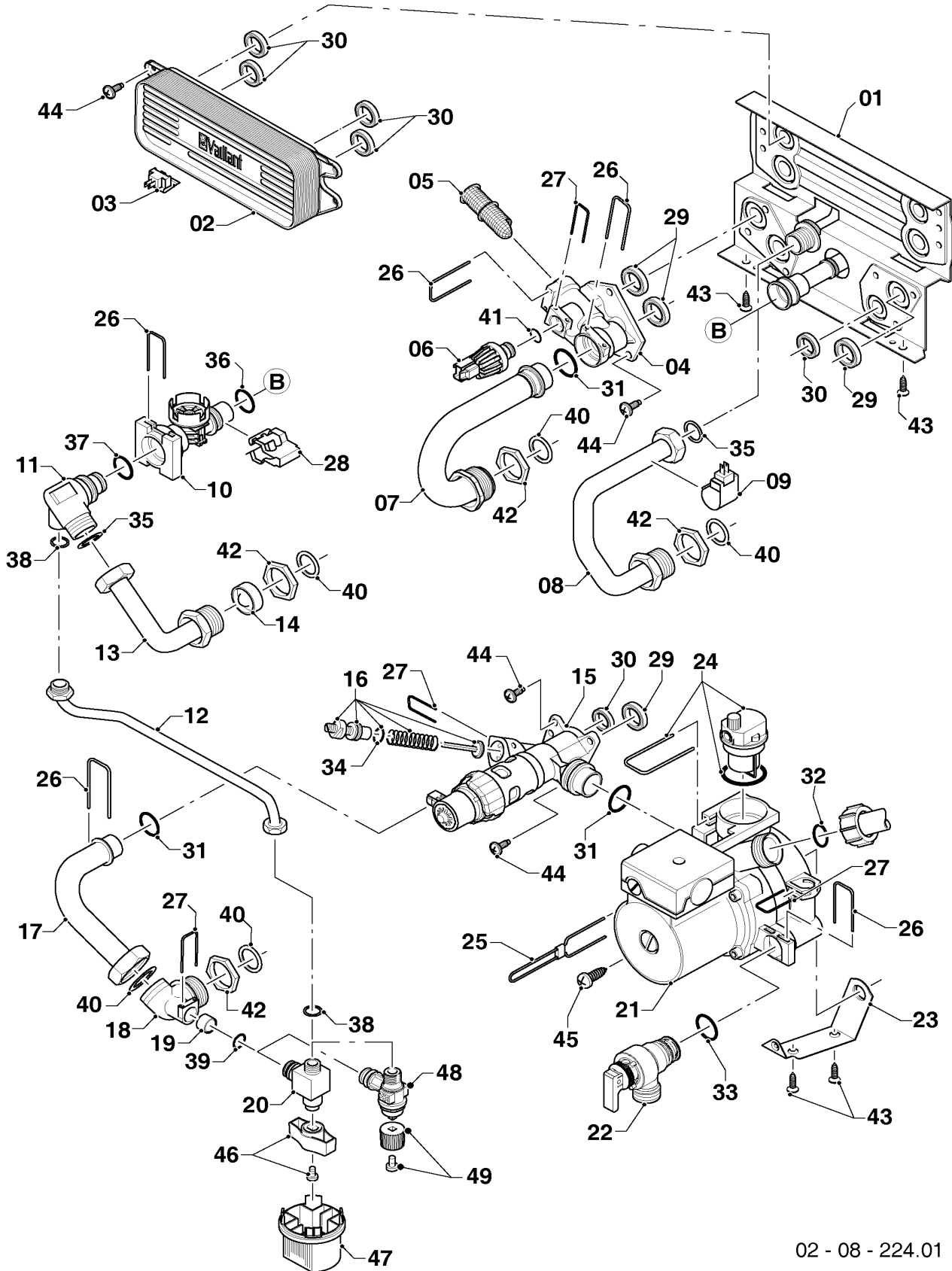
07b Air pressure chamber

VUW 182/5-3, VUW 11-202/5-3, VUW 202/5-3, VUW 202/5-5, VUW 242/5-3, VUW 242/5-5,
VUW 282/5-3, VUW 282/5-5, VUW 322/5-5, VUW 362/5-5

Pos.	Art.-No / Teile-Nr.	Part / Bezeichnung	Type, note / Typ, Bemerkung
		0207123	
11	0020213172	Pressure safeguard	VUW 242/5-5, with part 12
11	0020041905	Pressure safeguard/switch	VUW 282/5-3, with part 12
11	0020041905	Pressure safeguard/switch	VUW 282/5-5, with part 12
11	0020041905	Pressure safeguard/switch	VUW 322/5-5, not for TR, with part 12
11	0020213172	Pressure safeguard	VUW 322/5-5, only for TR, with part 12
11	0020041905	Pressure safeguard/switch	VUW 362/5-5, with part 12
12	0020041906	Hose set	
13	0020051041	Guide plate	
13	0020051042	Guide plate	
14	0020041907	Insert	with part 16
15	0020085467	Gasket	
16	980766	Seal	
17	0020197544	Clip, (PK10)	

08a Hydraulic parts

VUW 182/5-3, VUW 11-202/5-3, VUW 202/5-3, VUW 202/5-5, VUW 242/5-3, VUW 242/5-5,
VUW 282/5-3, VUW 282/5-5, VUW 322/5-5, VUW 362/5-5



02 - 08 - 224.01

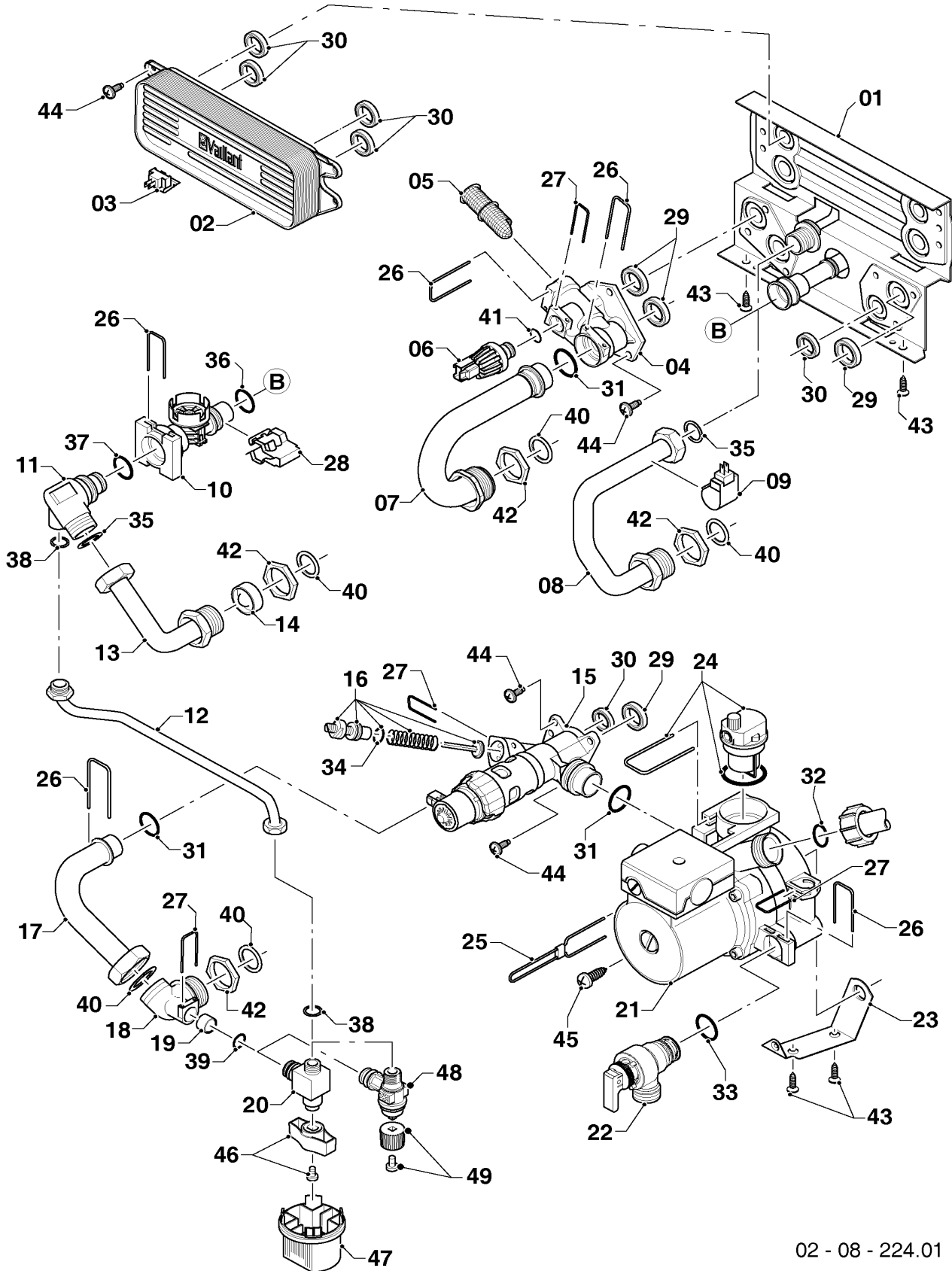
08a Hydraulic parts

VUW 182/5-3, VUW 11-202/5-3, VUW 202/5-3, VUW 202/5-5, VUW 242/5-3, VUW 242/5-5,
VUW 282/5-3, VUW 282/5-5, VUW 322/5-5, VUW 362/5-5

Pos.	Art.-No / Teile-Nr.	Part / Bezeichnung	Type, note / Typ, Bemerkung
		0208224	
01	178965	Support	with parts 28, 29, 30, 31, 35, 36, 40, 43, 44
02	0020020018	Heat exchanger DHW, 11 (13) plates	VUW 11-202/5-3, with parts 30, 44
02	0020020018	Heat exchanger DHW, 11 (13) plates	VUW 182/5-3, with parts 30, 44
02	0020020018	Heat exchanger DHW, 11 (13) plates	VUW 202/5-3, with parts 30, 44
02	0020038572	Heat exchanger dhw (19 plates)	VUW 202/5-5, with parts 30, 44
02	0020020018	Heat exchanger DHW, 11 (13) plates	VUW 242/5-3, only for RU,SEE-INT,UA,TR,VE-RU, with parts 30, 44
02	0020038572	Heat exchanger dhw (19 plates)	VUW 242/5-3, only for VE-AR,VE-IL,VE-IR, with parts 30, 44
02	0020038572	Heat exchanger dhw (19 plates)	VUW 242/5-5, with parts 30, 44
02	0020020018	Heat exchanger DHW, 11 (13) plates	VUW 282/5-3, with parts 30, 44
02	0020038572	Heat exchanger dhw (19 plates)	VUW 282/5-5, with parts 30, 44
02	0020038572	Heat exchanger dhw (19 plates)	VUW 322/5-5, not for TR, with parts 30, 44
02	0020025041	Heat exchanger dhw (35 plates)	VUW 322/5-5, only for TR, with parts 30, 44
02	0020025041	Heat exchanger dhw (35 plates)	VUW 362/5-5, with parts 30, 44
03	103430	Sensor NTC, DHW heat exchanger	
04	179031	Connection, brass	VUW 11-202/5-3, with parts 05, 26, 27, 29, 31, 41, 44
04	179031	Connection, brass	VUW 182/5-3, with parts 05, 26, 27, 29, 31, 41, 44
04	179031	Connection, brass	VUW 202/5-3, with parts 05, 26, 27, 29, 31, 41, 44
04	179031	Connection, brass	VUW 202/5-5, only for RU,UA,VE-RU, with parts 05,26,27,29,31,41,44
04	0020140559	Connection, composite	VUW 202/5-5, only for SEE-INT,TR, with parts 05,26,27,29,31,41,44
04	179031	Connection, brass	VUW 242/5-3, only for RU,SEE-INT,TR,UA,VE-RU, / with parts 05,26,27,29,31,41,44
04	0020140559	Connection, composite	VUW 242/5-3, only for VE-AR,VE-IL,VE-IR, / with parts 05,26,27,29,31,41,44
04	179031	Connection, brass	VUW 242/5-5, only for RU,UA,VE-RU, with parts 05,26,27,29,31,41,44
04	0020140559	Connection, composite	VUW 242/5-5, only for SEE-INT,TR,VE-AR,VE-IR, / with parts 05,26,27,29,31,41,44
04	179031	Connection, brass	VUW 282/5-3, with parts 05, 26, 27, 29, 31, 41, 44
04	179031	Connection, brass	VUW 282/5-5, only for RU,UA,VE-RU, with parts 05,26,27,29,31,41,44
04	0020140559	Connection, composite	VUW 282/5-5, only for SEE-INT,TR,VE-AR,VE-IR, / with parts 05,26,27,29,31,41,44
04	179031	Connection, brass	VUW 322/5-5, only for RU,UA,VE-RU, with parts 05,26,27,29,31,41,44
04	0020140559	Connection, composite	VUW 322/5-5, only for SEE-INT,TR,VE-AR,VE-IR, / with parts 05,26,27,29,31,41,44
04	179031	Connection, brass	VUW 362/5-5, only for RU,UA,VE-RU, with parts 05,26,27,29,31,41,44
04	0020140559	Connection, composite	VUW 362/5-5, only for VE-AR,VE-IR, with parts 05,26,27,29,31,41,44
05	179030	Filter	with parts 26, 31
06	0020059717	Sensor (water pressure)	with parts 27, 41
07	179033	Pipe	with parts 31, 40, 42
08	179034	Pipe	with parts 35, 40, 42
09	103429	Sensor NTC, DHW outlet pipe	
10	178988	Flow sensor	with parts 26, 28, 36, 37
11	0020018067	Connection piece	with parts 26, 35, 37, 38
12	0020018066	Tube	with part 38
13	179037	Pipe	with parts 14, 35, 40, 42
14	074514	Filter	
15	0020132683	Diverter valve, brass	VUW 11-202/5-3, with parts 16, 26, 27, 29, 30, 31, 44
15	0020132683	Diverter valve, brass	VUW 182/5-3, with parts 16, 26, 27, 29, 30, 31, 44
15	0020132683	Diverter valve, brass	VUW 202/5-3, with parts 16, 26, 27, 29, 30, 31, 44
15	0020132683	Diverter valve, brass	VUW 202/5-5, only for RU,UA,VE-RU, with parts 16,26,27,29,30,31,44
15	0020020015	Diverter valve, plastic	VUW 202/5-5, only for SEE-INT,TR, with parts 16,26,27,29,30,31,44

08a Hydraulic parts

VUW 182/5-3, VUW 11-202/5-3, VUW 202/5-3, VUW 202/5-5, VUW 242/5-3, VUW 242/5-5,
VUW 282/5-3, VUW 282/5-5, VUW 322/5-5, VUW 362/5-5



02 - 08 - 224.01

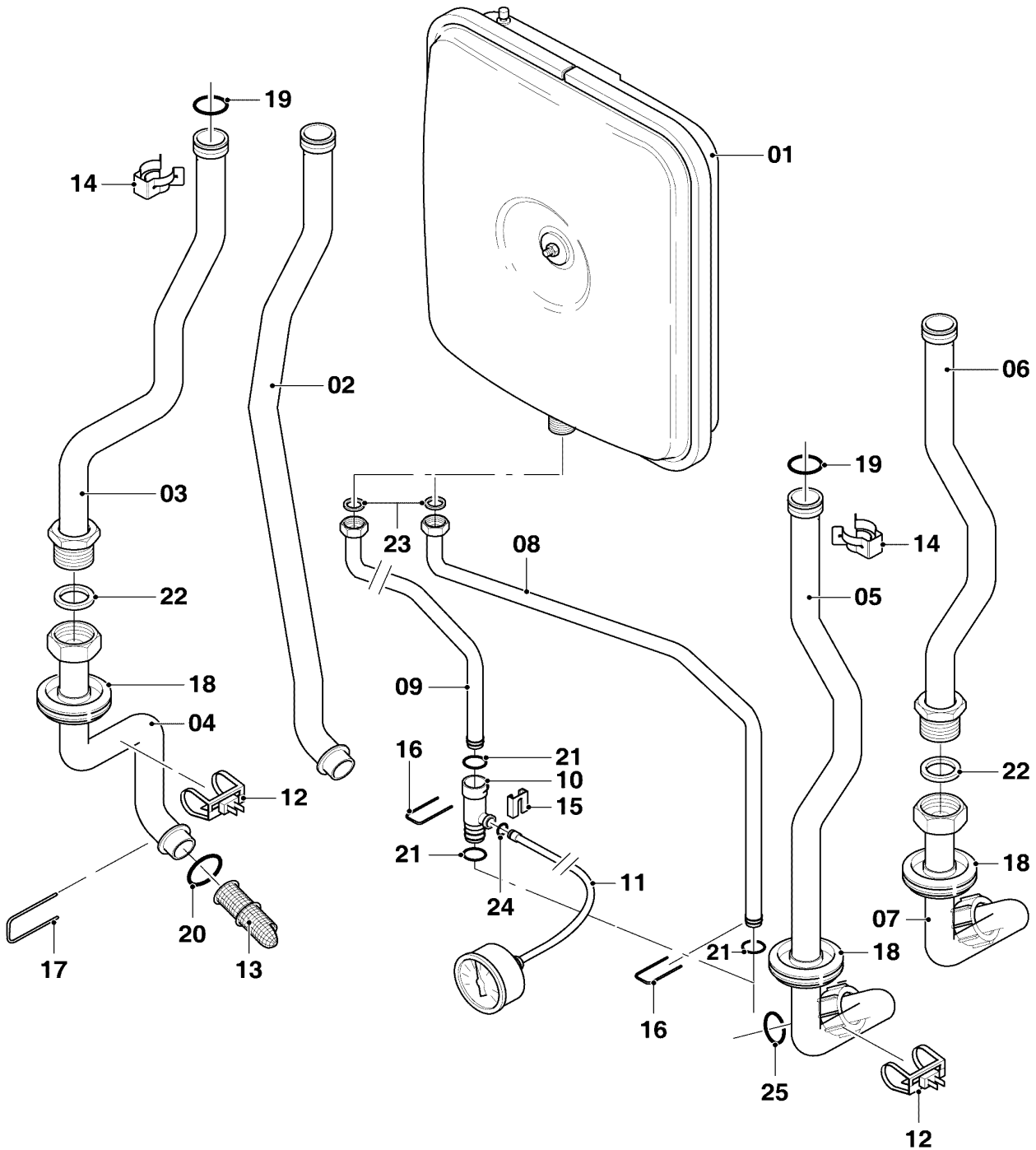
08a Hydraulic parts

VUW 182/5-3, VUW 11-202/5-3, VUW 202/5-3, VUW 202/5-5, VUW 242/5-3, VUW 242/5-5,
VUW 282/5-3, VUW 282/5-5, VUW 322/5-5, VUW 362/5-5

Pos.	Art.-No / Teile-Nr.	Part / Bezeichnung	Type, note / Typ, Bemerkung
		0208224	
15	0020132683	Diverter valve, brass	VUW 242/5-3, only for RU,SEE-INT,TR,UA,VE-RU, / with parts 16,26,27,29,30,31,44
15	0020020015	Diverter valve, plastic	VUW 242/5-3, only for VE-AR,VE-IL,VE-IR, / with parts 16,26,27,29,30,31,44
15	0020132683	Diverter valve, brass	VUW 242/5-5, only for RU,UA,VE-RU, with parts 16,26,27,29,30,31,44
15	0020020015	Diverter valve, plastic	VUW 242/5-5, only for SEE-INT,TR,VE-AR,VE-IR, / with parts 16,26,27,29,30,31,44
15	0020132683	Diverter valve, brass	VUW 282/5-3, with parts 16, 26, 27, 29, 30, 31, 44
15	0020132683	Diverter valve, brass	VUW 282/5-5, only for RU,UA,VE-RU, with parts 16,26,27,29,30,31,44
15	0020020015	Diverter valve, plastic	VUW 282/5-5, only for SEE-INT,TR,VE-AR,VE-IR, / with parts 16,26,27,29,30,31,44
15	0020132683	Diverter valve, brass	VUW 322/5-5, only for RU,UA,VE-RU, with parts 16,26,27,29,30,31,44
15	0020020015	Diverter valve, plastic	VUW 322/5-5, only for SEE-INT,TR,VE-AR,VE-IR, / with parts 16,26,27,29,30,31,44
15	0020132683	Diverter valve, brass	VUW 362/5-5, only for RU,UA,VE-RU, with parts 16,26,27,29,30,31,44
15	0020020015	Diverter valve, plastic	VUW 362/5-5, only for VE-AR,VE-IR, with parts 16,26,27,29,30,31,44
16	178980	Bypass	with part 27
17	179036	Pipe	with parts 31, 40
18	0020018068	Connection piece	with parts 39, 40, 42
19	0020018064	Ball valve	
20	0020018065	Ventil, filling	with parts 38, 39, 46
21	0020213167	Pump	with parts 23, 24, 26, 27, 31, 32, 33, 43, 45
22	178985	Pressure relief valve, 3 bar	with parts 26, 33
23	178984	Support	with parts 43, 45
24	104521	Automatic de-aerator	
25	178981	Clip	
26	178992	Clip, (PK10)	
27	0020107694	Clip, (PK5)	
28	178966	Clip	
29	193535	Gasket, C-type (PK10)	
30	178969	Gasket, C-type (PK10)	
31	193537	O-ring, (PK10)	
32	193539	O-ring, (PK10)	
33	178986	O-ring, (PK10)	
34	981165	O-ring, (PK10)	
35	981142	Sealing ring, (PK10)	
36	178991	O-ring, (PK10)	
37	981163	O-ring, (PK10)	
38	981146	Sealing ring, (PK10)	
39	981154	O-ring, (PK10)	
40	981140	Sealing ring, 3/4 (PK10)	
41	178993	O-ring, (PK10)	
42	193598	Nut, (PK4)	
43	0020107695	Screw, (PK10)	
44	178968	Screw, (PK10)	
45	0020133833	Screw, (PK10)	
46	0020010292	Handle, (PK2)	
47	0020051043	Handle	
48	0020265137	Valve, filling	with parts 38, 39, 49
49	0020265138	Handle	

08b Hydraulic parts

VUW 182/5-3, VUW 11-202/5-3, VUW 202/5-3, VUW 202/5-5, VUW 242/5-3, VUW 242/5-5,
VUW 282/5-3, VUW 282/5-5, VUW 322/5-5, VUW 362/5-5



02-08-142.02

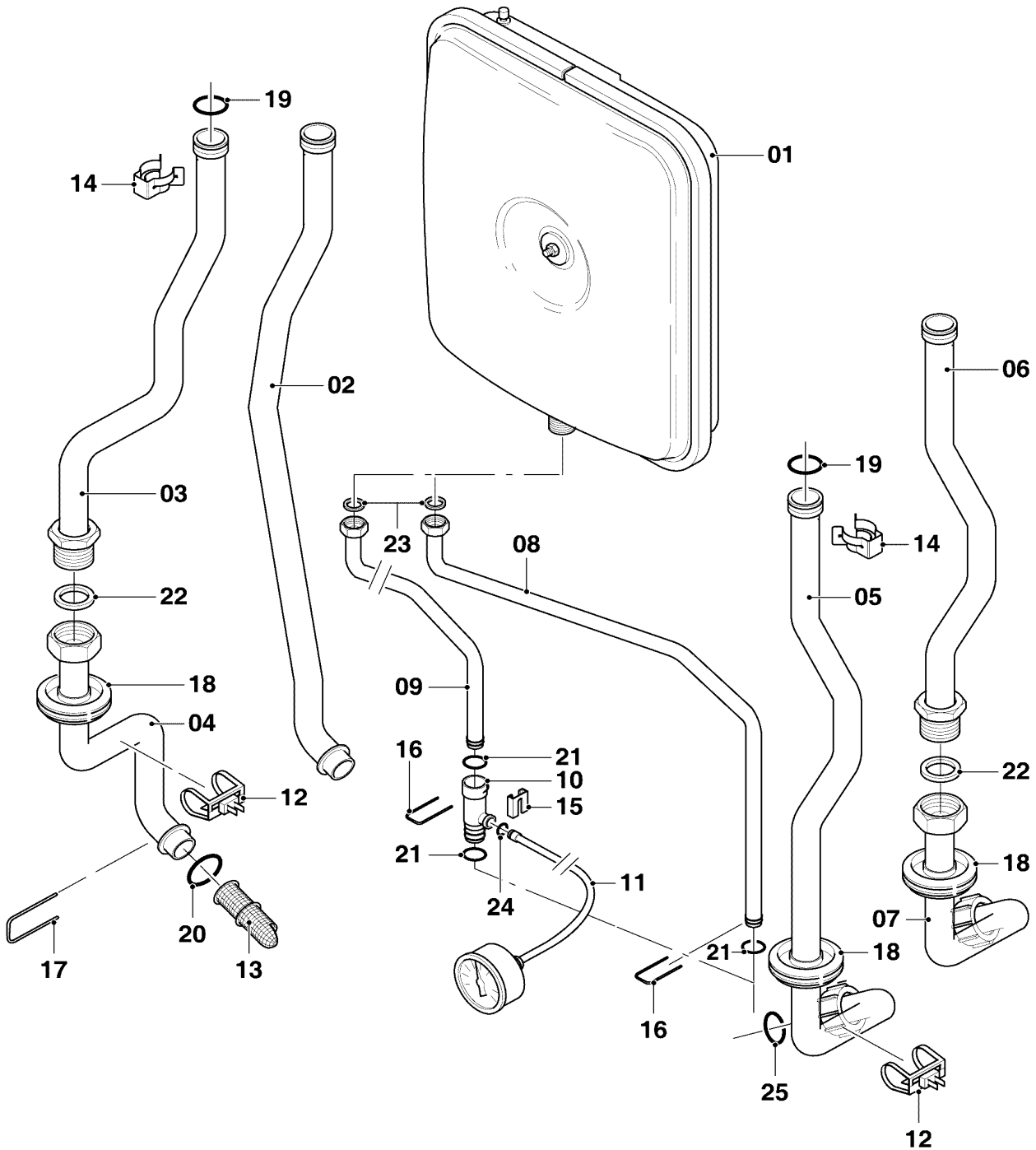
08b Hydraulic parts

VUW 182/5-3, VUW 11-202/5-3, VUW 202/5-3, VUW 202/5-5, VUW 242/5-3, VUW 242/5-5,
VUW 282/5-3, VUW 282/5-5, VUW 322/5-5, VUW 362/5-5

Pos.	Art.-No / Teile-Nr.	Part / Bezeichnung	Type, note / Typ, Bemerkung
		0208142	
01	181061	Expansion vessel 6 ltr.	VUW 11-202/5-3
01	181061	Expansion vessel 6 ltr.	VUW 182/5-3
01	181061	Expansion vessel 6 ltr.	VUW 202/5-3
01	181057	Expansion vessel 10 ltr.	VUW 202/5-5
01	181061	Expansion vessel 6 ltr.	VUW 242/5-3
01	181057	Expansion vessel 10 ltr.	VUW 242/5-5
01	181061	Expansion vessel 6 ltr.	VUW 282/5-3
01	181057	Expansion vessel 10 ltr.	VUW 282/5-5
01	181057	Expansion vessel 10 ltr.	VUW 322/5-5
01	181057	Expansion vessel 10 ltr.	VUW 362/5-5
02	-	-	not for these appliances
03	0020041919	Tube 11-20kW turbo	VUW 11-202/5-3, with parts 14, 19, 22
03	0020041919	Tube 11-20kW turbo	VUW 182/5-3, with parts 14, 19, 22
03	0020041919	Tube 11-20kW turbo	VUW 202/5-3, with parts 14, 19, 22
03	0020041919	Tube 11-20kW turbo	VUW 202/5-5, with parts 14, 19, 22
03	0020041921	Tube 24-32kW turbo	VUW 242/5-3, with parts 14, 19, 22
03	0020041921	Tube 24-32kW turbo	VUW 242/5-5, with parts 14, 19, 22
03	0020041921	Tube 24-32kW turbo	VUW 282/5-3, with parts 14, 19, 22
03	0020041921	Tube 24-32kW turbo	VUW 282/5-5, with parts 14, 19, 22
03	0020041921	Tube 24-32kW turbo	VUW 322/5-5, not for TR, with parts 14, 19, 22
03	0020041922	Tube 36kW turbo	VUW 322/5-5, only for TR, with parts 14, 19, 22
03	0020041922	Tube 36kW turbo	VUW 362/5-5, with parts 14, 19, 22
04	0020200708	Tube	with parts 17, 18, 20, 22
05	0020041927	Tube 11-20kW turbo	VUW 11-202/5-3, with parts 14, 18, 19, 25
05	0020041927	Tube 11-20kW turbo	VUW 182/5-3, with parts 14, 18, 19, 25
05	0020041927	Tube 11-20kW turbo	VUW 202/5-3, with parts 14, 18, 19, 25
05	0020041927	Tube 11-20kW turbo	VUW 202/5-5, with parts 14, 18, 19, 25
05	0020041928	Tube 24kW turbo	VUW 242/5-3, with parts 14, 18, 19, 25
05	0020041928	Tube 24kW turbo	VUW 242/5-5, with parts 14, 18, 19, 25
05	0020041929	Tube 28+32kW turbo	VUW 282/5-3, with parts 14, 18, 19, 25
05	0020041929	Tube 28+32kW turbo	VUW 282/5-5, with parts 14, 18, 19, 25
05	0020041929	Tube 28+32kW turbo	VUW 322/5-5, not for TR, with parts 14, 18, 19, 25
05	-	-	VUW 362/5-5, not for these appliances
06	-	-	VUW 11-202/5-3, not for these appliances
06	-	-	VUW 182/5-3, not for these appliances
06	-	-	VUW 202/5-3, not for these appliances
06	-	-	VUW 202/5-5, not for these appliances
06	-	-	VUW 242/5-3, not for these appliances
06	-	-	VUW 242/5-5, not for these appliances
06	-	-	VUW 282/5-3, not for these appliances
06	-	-	VUW 282/5-5, not for these appliances
06	0020041931	Tube 36kW	VUW 322/5-5, only for TR, with parts 14, 19, 22
06	0020041931	Tube 36kW	VUW 362/5-5, with parts 14, 19, 22
07	-	-	VUW 11-202/5-3, not for these appliances
07	-	-	VUW 182/5-3, not for these appliances
07	-	-	VUW 202/5-3, not for these appliances
07	-	-	VUW 202/5-5, not for these appliances
07	-	-	VUW 242/5-3, not for these appliances
07	-	-	VUW 242/5-5, not for these appliances
07	-	-	VUW 282/5-3, not for these appliances
07	-	-	VUW 282/5-5, not for these appliances

08b Hydraulic parts

VUW 182/5-3, VUW 11-202/5-3, VUW 202/5-3, VUW 202/5-5, VUW 242/5-3, VUW 242/5-5,
VUW 282/5-3, VUW 282/5-5, VUW 322/5-5, VUW 362/5-5



02-08-142.02

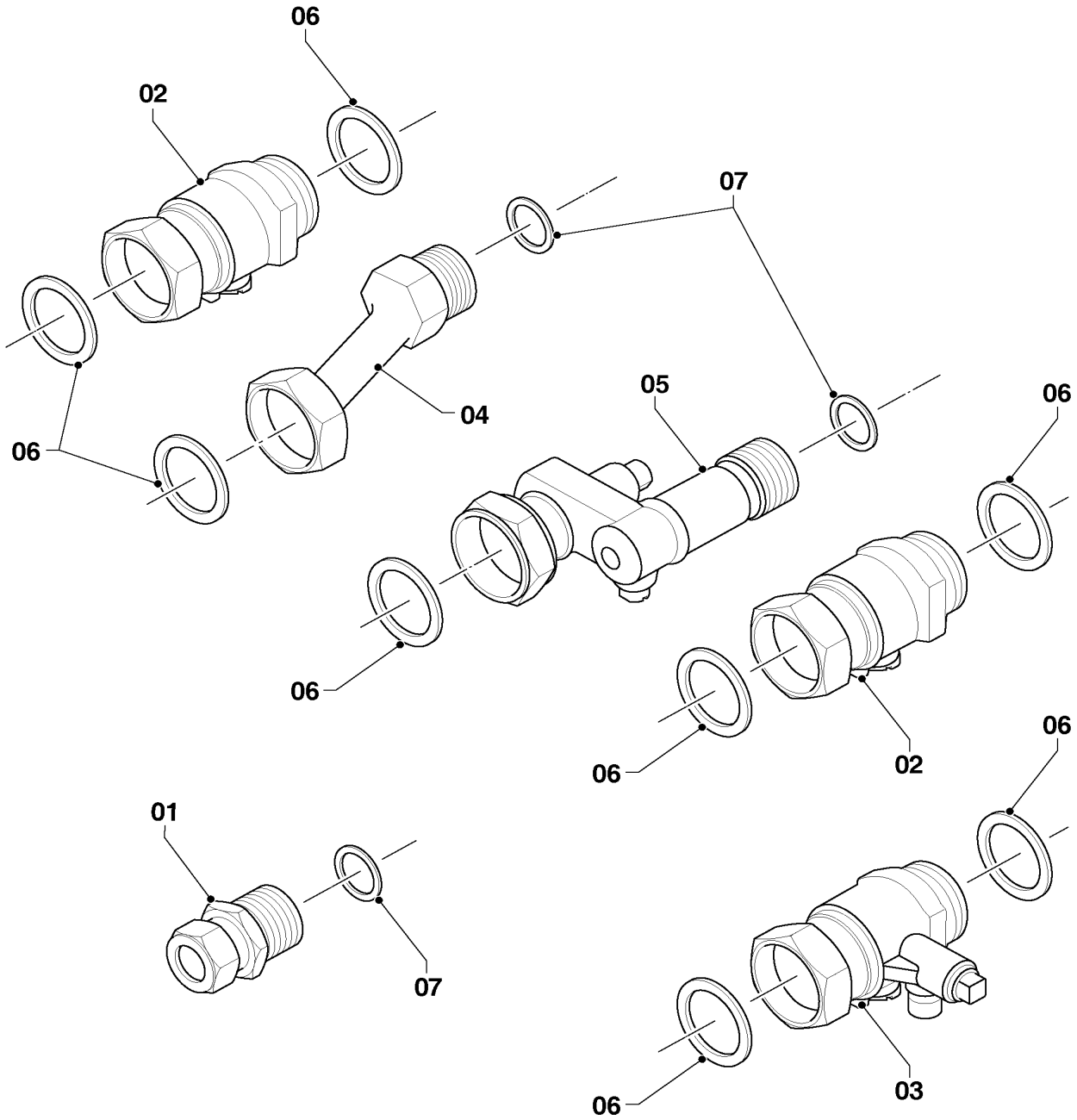
08b Hydraulic parts

VUW 182/5-3, VUW 11-202/5-3, VUW 202/5-3, VUW 202/5-5, VUW 242/5-3, VUW 242/5-5,
 VUW 282/5-3, VUW 282/5-5, VUW 322/5-5, VUW 362/5-5

Pos.	Art.-No / Teile-Nr.	Part / Bezeichnung	Type, note / Typ, Bemerkung
		0208142	
07	0020041930	Tube 36kW	VUW 322/5-5, only for TR, with parts 18, 22, 25
07	0020041930	Tube 36kW	VUW 362/5-5, with parts 18, 22, 25
08	0020041914	Tube	only for TR, with parts 16, 21, 23
09	0020041915	Tube	not for TR, with parts 16, 21, 23
10	0020023812	Adapter manometer	not for TR, with parts 15, 16, 21, 24
11	101271	Pressure gauge	not for TR, with parts 15, 24
12	0020068120	Sensor, NTC 19mm	
13	179030	Filter	with parts 17, 20
14	219621	Spring clamp, (PK10)	
15	0020107709	Support	not for TR
16	0020107694	Clip, (PK5)	
17	178992	Clip, (PK10)	
18	0020085467	Gasket	
19	981151	O-ring, (PK10)	
20	193537	O-ring, (PK10)	
21	178993	O-ring, (PK10)	
22	981140	Sealing ring, 3/4 (PK10)	
23	981149	Sealing ring, (PK10)	
24	981155	O-ring, (PK10)	not for TR
25	193539	O-ring, (PK10)	

08c Connecting accessories

VUW 182/5-3, VUW 11-202/5-3, VUW 202/5-3, VUW 202/5-5, VUW 242/5-3, VUW 242/5-5,
VUW 282/5-3, VUW 282/5-5, VUW 322/5-5, VUW 362/5-5



02 - 08 - 220

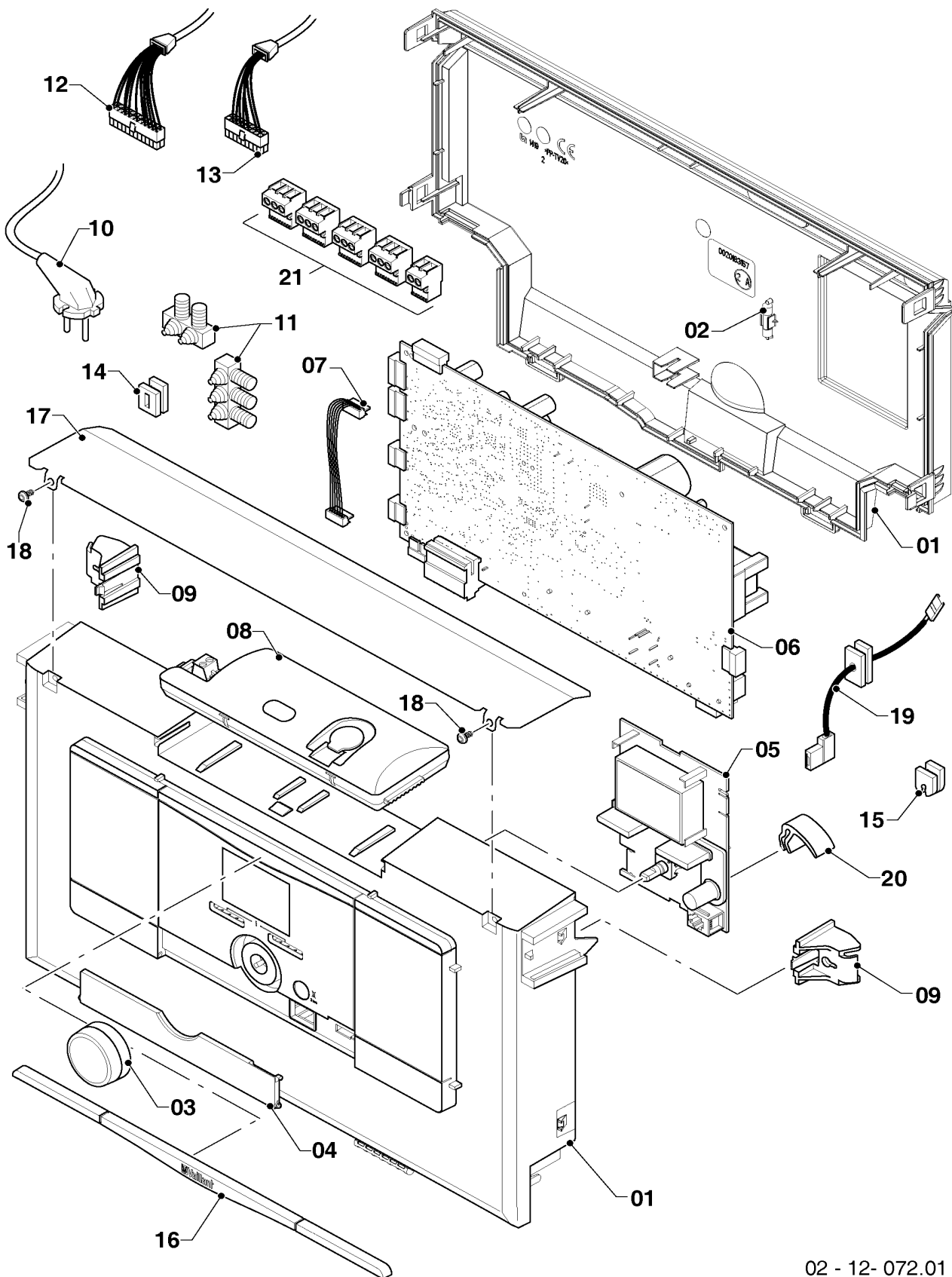
08c Connecting accessories

VUW 182/5-3, VUW 11-202/5-3, VUW 202/5-3, VUW 202/5-5, VUW 242/5-3, VUW 242/5-5,
VUW 282/5-3, VUW 282/5-5, VUW 322/5-5, VUW 362/5-5

Pos.	Art.-No / Teile-Nr.	Part / Bezeichnung	Type, note / Typ, Bemerkung
		0208220	
01	0020216971	Compression fitting	
02	0020221260	Service valve	with part 06
03	0020057433	Valve	with part 06
04	0020221261	Connection piece	with part 06
05	0020234870	Valve	with parts 06, 07
06	981140	Sealing ring, 3/4 (PK10)	
07	981142	Sealing ring, (PK10)	

12 Control box

VUW 182/5-3, VUW 11-202/5-3, VUW 202/5-3, VUW 202/5-5, VUW 242/5-3, VUW 242/5-5,
VUW 282/5-3, VUW 282/5-5, VUW 322/5-5, VUW 362/5-5



02 - 12- 072.01

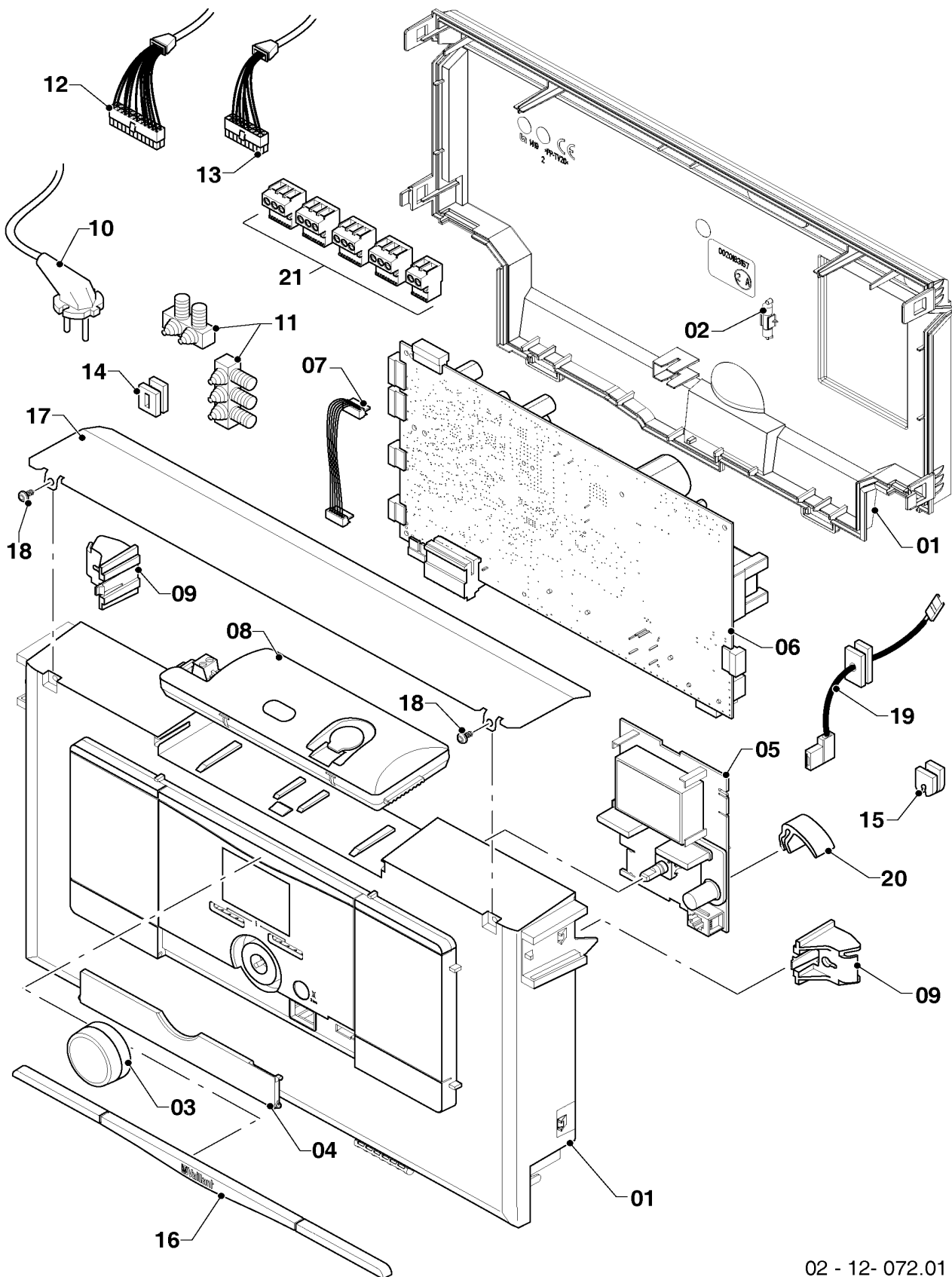
12 Control box

VUW 182/5-3, VUW 11-202/5-3, VUW 202/5-3, VUW 202/5-5, VUW 242/5-3, VUW 242/5-5,
VUW 282/5-3, VUW 282/5-5, VUW 322/5-5, VUW 362/5-5

Pos.	Art.-No / Teile-Nr.	Part / Bezeichnung	Type, note / Typ, Bemerkung
		0212072	
01	0020216300	Housing front (pro)	VUW 11-202/5-3, with parts 02, 03, 04
01	0020216300	Housing front (pro)	VUW 182/5-3, with parts 02, 03, 04
01	0020216300	Housing front (pro)	VUW 202/5-3, with parts 02, 03, 04
01	0020216296	Housing front (plus)	VUW 202/5-5, with parts 02, 03, 04, 16
01	0020216300	Housing front (pro)	VUW 242/5-3, with parts 02, 03, 04
01	0020216296	Housing front (plus)	VUW 242/5-5, with parts 02, 03, 04, 16
01	0020216300	Housing front (pro)	VUW 282/5-3, with parts 02, 03, 04
01	0020216296	Housing front (plus)	VUW 282/5-5, with parts 02, 03, 04, 16
01	0020216296	Housing front (plus)	VUW 322/5-5, with parts 02, 03, 04, 16
01	0020216296	Housing front (plus)	VUW 362/5-5, with parts 02, 03, 04, 16
02	0020067507	Fuse, 2,0 A T2H (PK10)	
03	0020213174	Knob.	
04	-	-	VUW 11-202/5-3, not for these appliances
04	-	-	VUW 182/5-3, not for these appliances
04	-	-	VUW 202/5-3, not for these appliances
04	0020216972	Flap (kit)	VUW 202/5-5
04	-	-	VUW 242/5-3, not for these appliances
04	0020216972	Flap (kit)	VUW 242/5-5
04	-	-	VUW 282/5-3, not for these appliances
04	0020216972	Flap (kit)	VUW 282/5-5
04	0020216972	Flap (kit)	VUW 322/5-5
04	0020216972	Flap (kit)	VUW 362/5-5
05	0020202561	Display Pro	VUW 11-202/5-3
05	0020202561	Display Pro	VUW 182/5-3
05	0020202561	Display Pro	VUW 202/5-3
05	0020202560	Display Plus	VUW 202/5-5
05	0020202561	Display Pro	VUW 242/5-3
05	0020202560	Display Plus	VUW 242/5-5
05	0020202561	Display Pro	VUW 282/5-3
05	0020202560	Display Plus	VUW 282/5-5
05	0020202560	Display Plus	VUW 322/5-5
05	0020202560	Display Plus	VUW 362/5-5
06	0020202559	PCB	
07	0020136630	Cable, display	
08	-	-	wireless thermostat (accessory, cannot be delivered as spare part)
09	0020200703	Spacer	
10	0020200688	Supply harness	only for TR
10	0020210121	Cable	only for SEE
11	078533	Cable fixation	
12	0020213178	Wiring harness	VUW 11-202/5-3
12	0020213178	Wiring harness	VUW 182/5-3
12	0020213178	Wiring harness	VUW 202/5-3
12	0020216294	Wiring harness	VUW 202/5-5
12	0020213178	Wiring harness	VUW 242/5-3
12	0020216294	Wiring harness	VUW 242/5-5
12	0020213178	Wiring harness	VUW 282/5-3
12	0020216294	Wiring harness	VUW 282/5-5
12	0020216294	Wiring harness	VUW 322/5-5
12	0020216294	Wiring harness	VUW 362/5-5
13	0020200713	Wiring harness	VUW 11-202/5-3
13	0020200713	Wiring harness	VUW 182/5-3

12 Control box

VUW 182/5-3, VUW 11-202/5-3, VUW 202/5-3, VUW 202/5-5, VUW 242/5-3, VUW 242/5-5,
VUW 282/5-3, VUW 282/5-5, VUW 322/5-5, VUW 362/5-5



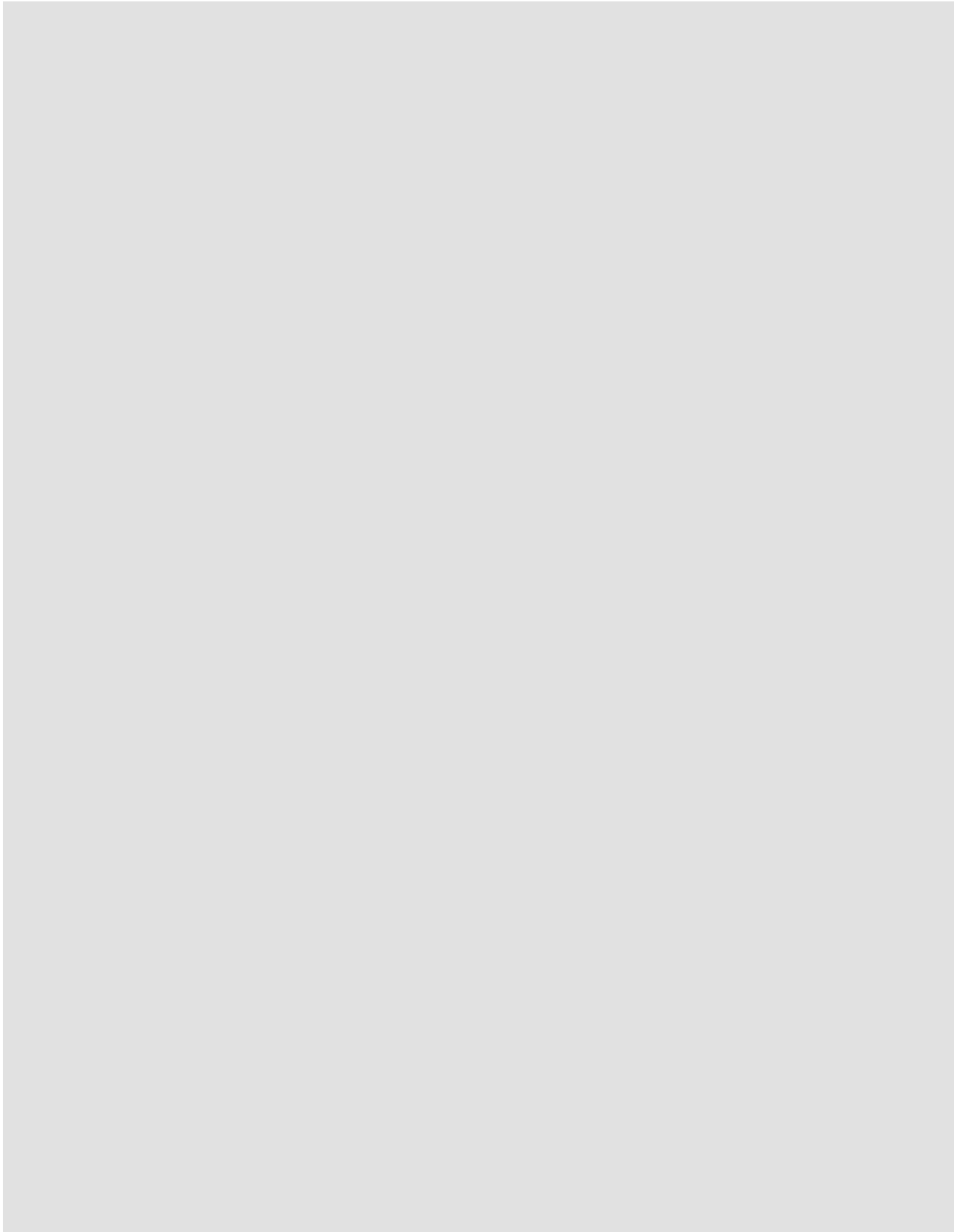
02 - 12- 072.01

12 Control box

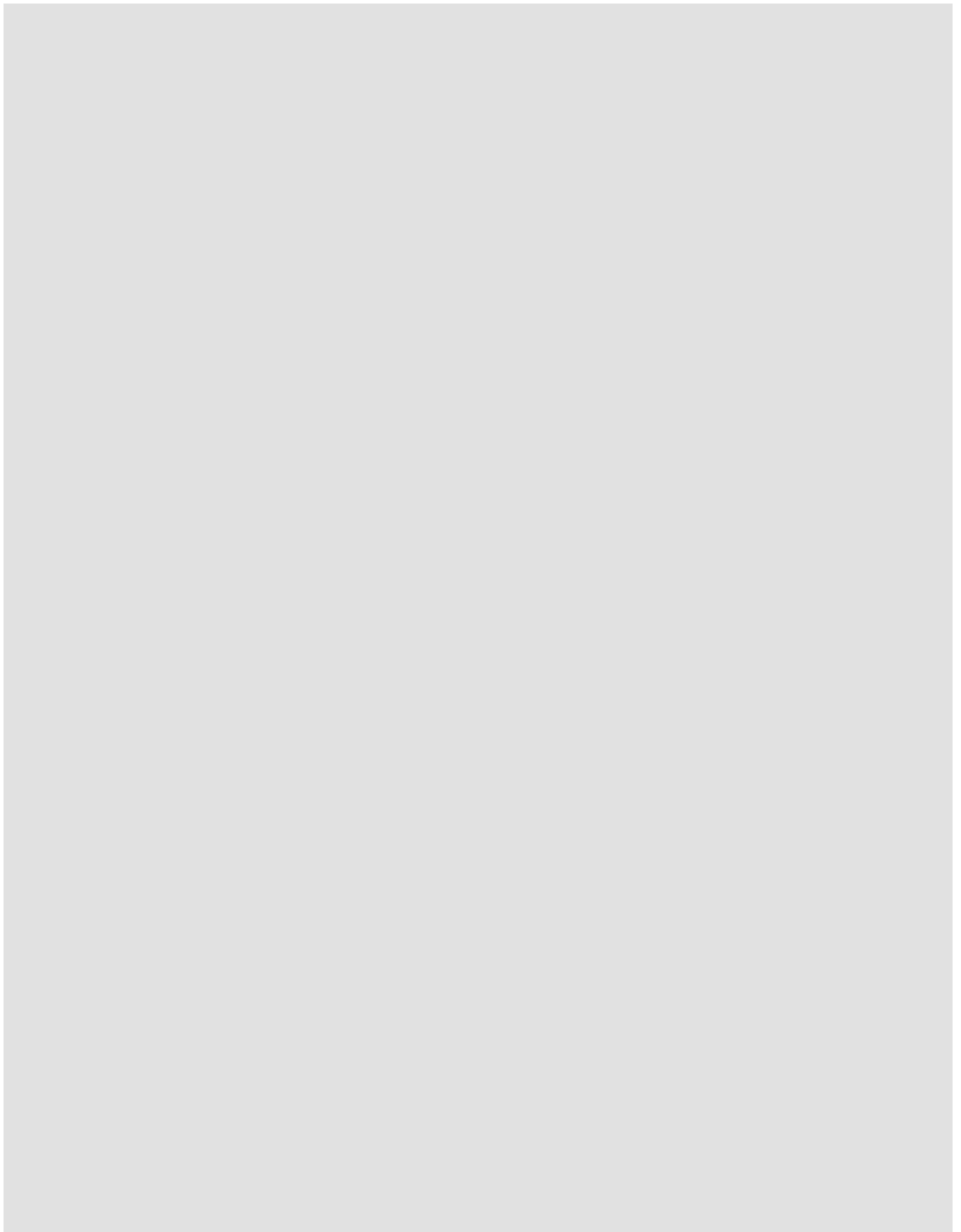
VUW 182/5-3, VUW 11-202/5-3, VUW 202/5-3, VUW 202/5-5, VUW 242/5-3, VUW 242/5-5,
VUW 282/5-3, VUW 282/5-5, VUW 322/5-5, VUW 362/5-5

Pos.	Art.-No / Teile-Nr.	Part / Bezeichnung	Type, note / Typ, Bemerkung
		0212072	
13	0020200713	Wiring harness	VUW 202/5-3
13	0020200713	Wiring harness	VUW 202/5-5
13	0020200713	Wiring harness	VUW 242/5-3
13	0020200713	Wiring harness	VUW 242/5-5
13	0020200713	Wiring harness	VUW 282/5-3
13	0020200713	Wiring harness	VUW 282/5-5
13	0020200713	Wiring harness	VUW 322/5-5
13	0020200716	Wiring harness	VUW 362/5-5
14	0020210117	Plug	
15	078533	Cable fixation	
16	-	-	VUW 11-202/5-3, not for these appliances
16	-	-	VUW 182/5-3, not for these appliances
16	-	-	VUW 202/5-3, not for these appliances
16	0020216303	Cover	VUW 202/5-5
16	-	-	VUW 242/5-3, not for these appliances
16	0020216303	Cover	VUW 242/5-5
16	-	-	VUW 282/5-3, not for these appliances
16	0020216303	Cover	VUW 282/5-5
16	0020216303	Cover	VUW 322/5-5
16	0020216303	Cover	VUW 362/5-5
17	-	-	not for these appliances
18	-	-	not for these appliances
19	0020197541	Cable	
20	0020216997	Spacer	
21	0020136646	Connector ProE (Set)	incl. green connector for power connection

Notes



Notes



Notes

